

Planiranje gibanja bespilotne letjelice s obzirom na procjenu rizika od kvarnih stanja

Osmić, Nedim

Doctoral thesis / Disertacija

2020

Degree Grantor / Ustanova koja je dodijelila akademski / stručni stupanj: **University of Zagreb, Faculty of Electrical Engineering and Computing / Sveučilište u Zagrebu, Fakultet elektrotehnike i računarstva**

Permanent link / Trajna poveznica: <https://urn.nsk.hr/urn:nbn:hr:168:344614>

Rights / Prava: [In copyright](#)/[Zaštićeno autorskim pravom.](#)

Download date / Datum preuzimanja: **2024-12-18**



Repository / Repozitorij:

[FER Repository - University of Zagreb Faculty of Electrical Engineering and Computing repository](#)





Sveučilište u Zagrebu
FAKULTET ELEKTROTEHNIKE I RAČUNARSTVA

Nedim Osmić

**Planiranje gibanja bespilotne letjelice s
obzirom na procjenu rizika od kvarnih
stanja**

DOKTORSKI RAD

Zagreb, 2020.



Sveučilište u Zagrebu
FAKULTET ELEKTROTEHNIKE I RAČUNARSTVA

Nedim Osmić

**Planiranje gibanja bespilotne letjelice s
obzirom na procjenu rizika od kvarnih
stanja**

DOKTORSKI RAD

Mentor: Prof. dr. sc. Ivan Petrović

Zagreb, 2020.



University of Zagreb

FACULTY OF ELECTRICAL ENGINEERING AND COMPUTING

Nedim Osmić

**Motion planning of aerial vehicle based
on risk assessment of failure states**

DOCTORAL THESIS

Supervisor: Professor Ivan Petrović, PhD

Zagreb, 2020

Doktorski rad izrađen je na Zavodu za automatiku i računalno inženjerstvo, Fakulteta elektrotehnike i računarstva, Sveučilištu u Zagrebu

Mentor: prof. dr. sc. Ivan Petrović

Doktorski rad ima: 155 stranica

Doktorski rad br.: _____

O mentoru

Ivan Petrović diplomirao je, magistrirao i doktorirao u polju elektrotehnike na Sveučilištu u Zagrebu Fakultetu elektrotehnike i računarstva (FER), 1983., 1989. odnosno 1998. godine. Prvih deset godina po završetku studija radio je na poslovima istraživanja i razvoja sustava upravljanja i automatizacije elektromotornih pogona i industrijskih postrojenja u Končar - Institutu za elektrotehniku. Od svibnja 1994. radi u Zavodu za automatiku i računalno inženjerstvo FER-a, gdje je sada redoviti profesor u trajnome zvanju. Sudjelovao je ili sudjeluje kao suradnik ili voditelj na 40 domaćih i 25 međunarodnih znanstvenih projekata, od čega sedam projekata iz programa FP7 i Obzor 2020. Nadalje, suvoditelj je Znanstvenog centra izvrsnosti za znanost o podacima i kooperativne sustave. Objavio je više od 60 znanstvenih radova u časopisima i više od 200 znanstvenih radova u zbornicima skupova u području automatskog upravljanja i estimacije s primjenom u upravljanju mobilnim robotima i vozilima te energetske, elektromehaničkim i drugim tehničkim sustavima. Prof. Petrović član je stručne udruge IEEE, Akademije tehničkih znanosti Hrvatske (HATZ), predsjednik tehničkog odbora za robotiku međunarodne udruge IFAC, stalni član upravnog tijela European Conference of Mobile Robots, član izvršnog odbora međunarodne udruge FIRA, suutemeljitelj međunarodne udruge „The iSpace Laboratory Network“. Član je i upravnog odbora Hrvatskog društva za komunikacije, računarstvo, elektroniku, mjerenja i automatiku (KoREMA) te glavni i odgovorni urednik časopisa Automatika. Godine 1990. primio je u Ljubljani nagradu „Prof. dr. Vratislav Bedjanič“ za posebno istaknuti magistarski rad, 1998. srebrnu plaketu "Josip Lončar" FER-a za posebno istaknutu doktorsku disertaciju, a za znanstvena je postignuća dobio 2008. godine nagradu „Rikard Podhorsky“ Akademije tehničkih znanosti Hrvatske, 2011. godine „Državnu nagradu za znanost“, 2013. godine zlatnu plaketu "Josip Lončar" FER-a, 2015. godine nagradu za znanost FER-a te 2019. godine nagradu „Nikola Tesla“ Hrvatske sekcije IEEE.

About the Supervisor

Ivan Petrović received B.Sc., M.Sc. and Ph.D. degrees in electrical engineering from the University of Zagreb, Faculty of Electrical Engineering and Computing (FER), Zagreb, Croatia, in 1983, 1989 and 1998, respectively. For the first ten years after graduation he was with the Institute of Electrical Engineering of Končar Corporation in Zagreb, where he had been working as a research and development engineer for control and automation systems of electrical drives and industrial plants. From 1994 he has been working at the Department of Control and Computer Engineering at FER, where he is currently a Full Professor with tenure. He has actively participated as a collaborator or principal investigator on 40 national and 25 international scientific projects, where from them six are funded from FP7 and Horizon 2020 framework programmes. He is also co-director of the Centre of Research Excellence for Data Science and Advanced Cooperative Systems. He published more than 60 papers in scientific journals and more than 200 papers in proceedings of international conferences in the area of control engineering and automation applied to control mobile robots and vehicles, power systems, electromechanical systems and other technical systems. Prof. Petrović is a member of IEEE, Croatian Academy of Engineering (HATZ), chair of the Technical committee on Robotics of the International Federation of Automatic Control (IFAC), a permanent board member of the European Conference on Mobile Robots, an executive committee member of the Federation of International Robot-soccer Association (FIRA), and a founding member of the iSpace Laboratory Network. He is also a member of the Croatian Society for Communications, Computing, Electronics, Measurements and Control (KoREMA) and Editor-in-Chief of the *Automatika* journal. He received the award "Professor Vratislav Bedjanič" in Ljubljana for outstanding M.Sc. thesis in 1990 and silver medal "Josip Lončar" from FER for outstanding Ph.D. thesis in 1998. For scientific achievements he received the award "Rikard Podhorsky" from the Croatian Academy of Engineering (2008), "National Science Award of the Republic of Croatia" (2011), the gold plaque "Josip Lončar" (2013), "Science Award" from FER (2015) and award "Nikola Tesla" from IEEE Croatia Section.

Sažetak

U ovom radu istražen je problem planiranja gibanja višerotorskih bespilotnih letjelica na kojima tijekom izvršavanja misije može nastupiti kvarno stanje na pogonskim motorima letjelice. Kako bi se planiranje gibanja letjelice moglo obaviti, razvijen je opći model višerotorskog sustava s parnim brojem rotora postavljenim u planarnoj konfiguraciji. Za razvijeni je model višerotorske letjelice predložen jednostavan upravljački algoritam za praćenje referentne putanje koji je pokazao dobre performanse, ali je osjetljiv na mogući nastanak kvarnog stanja na pogonskim motorima. Zbog toga je, na temelju izvedenog općeg matematičkog modela višerotorske bespilotne letjelice, izvršena analiza utjecaja kvarnih stanja na upravljivost i stabilnost bespilotne letjelice. Analiza je izvršena na sustavu kvadkoptera, heksakoptera i oktokoptera. Na osnovi rezultata analize pokazano je da sustav kvadkoptera ne predstavlja pouzdanu strukturu čak i u slučaju nastanka jednostrukog kvara, za razliku od heksakoptera i oktokoptera. Također je pokazano da je u slučaju nastanka dvostrukog kvarnog stanja oktokopter pouzdanija struktura u odnosu na heksakopter. Nakon provedene analize, kako bi se mogao iskoristiti potencijal upravljivosti za nastavak misije na navedenim strukturama letjelice, razvijen je algoritam za lokalizaciju i identifikaciju kvara temeljen na metodi najmanjih kvadrata. Kako bi se informacija o nastanku kvarnog stanja mogla iskoristiti za poništavanje učinka kvarnog stanja, iskorištena je upravljačka alokacija temeljena na pseudo-inverziji s ciljem da se preostali ispravni pogonski motori iskoriste za generiranje neophodnog upravljanja za nesmetan nastavak misije. Za potrebe procjene potencijalne opasnosti zbog kvara pojedinih komponenata na sustav bespilotne letjelice razvijen je postupak provođenja analize utjecaja kvarnih stanja i njihovih utjecaja na bespilotnu letjelicu. Definirana je mjera pouzdanosti pomoću koje se može procijeniti izvjesnost završetka misije uz pretpostavku da su poznati: (i) korišteni tip letjelice, (ii) upravljanje primijenjeno na bespilotnoj letjelici, (iii) tip kvarnog stanja koje može nastupiti na letjelici i (iv) korišteni planer gibanja. Kako bi se informacije o provedenoj analizi utjecaja pojedinačnih komponenata iskoristile za povećanje pouzdanosti završetka misije, predložen je novi tip planera gibanja nazvan *RSP* planerom gibanja. Predloženi *RSP* planer gibanja uvažava ograničenja na upravljačku varijablu višerotorskog sustava koja su posljedica mogućeg kvarnog stanja na sustavu višerotorske letjelice te planira takvo gibanje letjelice da u slučaju nastanka kvarnog stanja nastavak misije bude omogućen uz minimalno smanjenje performance.

Ključne riječi: matematički model višerotorske letjelice, upravljanje otporno na kvarna stanja, analiza utjecaja kvarnih stanja i njihovih utjecaja na letjelicu, analiza upravljivosti i stabilnosti višerotorskih sustava, planiranje gibanja.

Motion planning of aerial vehicle based on risk assessment of failure states

Extended Abstract

In recent years, Multirotor Aerial Vehicles (MAV) have become one of the major fields of robotics research in academic and industrial communities alike due to the broad range of their potential applications. Those include various tasks like search and rescue missions in indoor and outdoor environments, aerial construction, precision agriculture, disaster management, power line and structural inspection, exploration and mapping of unknown environments, remote sensing, aerial transportation, monitoring and analysis of traffic, surveillance, swarming and use as educational platforms.

Nowadays, there exist different design solutions for MAVs from micro and mini MAVs to heavy MAVs with high endurance. MAVs have become the most popular type of unmanned aerial vehicles due to their characteristics such as small geometries, vertical takeoff (VTOL) and landing capabilities, low cost, simple construction, degrees of freedom, maneuverability, ability to perform tasks that are difficult for humans (i.e., tasks where the risk of injury is high). The most commonly used platform in research projects nowadays are quadcopters, which makes it the de facto standard aerial robotic research platform used by the scientific community. The popularity of quadcopters is a consequence of their simple design as four rotors are sufficient for complete controllability of the system concerning the available degrees of freedom for movement. There are many applications in which MAV is used, and the primary goal of each of these applications is for the MAV correctly and reliably perform the intended task. Also, regardless of the structural design type, various types of faults may occur on a MAV. The fault can affect actuators, sensors, controllers, or can be structural. If a failure occurs, the mission execution may be stopped.

Even minor failures, which were not considered during the mechanical construction phase, can lead to the complete failure of the mission. If the failure were to be considered in the phase of physical construction or in the design phase of the regulator, the loss of the MAV or the termination of its mission could be prevented. The main question is whether the MAV has the possibility of detecting and isolating the fault or adapting to the fault that occurs during the mission execution, thereby distinguishing two aspects of the adaptation. The first aspect represents the preservation of the stability of the MAV system, and the second aspect involves deciding on the continuing execution or termination of the mission that the MAV performs or if a re-planning of the initial mission is necessary. These considerations are not new and originate from the theory of Fault-tolerant control (from the 1960s when the stability aspect of industrial systems was considered). Consequently, there are many methods by which it is possible to

control systems and detect the occurrence of failures. When the system is a faulty-free state, all system parameters are within the nominal ranges. In the event of a fault, some of the subsystems no longer operate within expectations, and deviation from the nominal system state can be propagated to other subsystems.

If a fault, on any of the subsystems, occurred such that it can lead to a failure of the whole system, then a "safety shutdown" could be performed. Namely, when some parameter, which is important for the state of the system, is outside of the normal range, it is necessary to perform a corresponding action to eliminate faulty-state. However, the faulty-state can be caused by the failure of the actuator and/or sensor and as such represents the most dangerous class of failures. In the aviation industry, the term "physical redundancy" was introduced, which represent the real-time measurement of a variable of interest (altitude, pressure, flight speed, aircraft inclination, rudder rotation state) with multiple sensors (usually three or four) with different technologies, to prevent the possibility of the occurrence of the same fault on the same type of sensor. All measured values are compared and, for significantly deviates between obtained values, that sensor is no longer taken into account. However, the probability of simultaneous failure of two or more sensors is less than the probability of failure of only one, so this type of decision-making is called "majority voting". Also, if all sensors give a value that is outside the normal range then, it is more likely, that it is a structural failure than that all sensors have failed at the same time. In addition to physical redundancy, there is the so-called analytical redundancy that does not require the installation of additional components but it calculates each parameter that is relevant to the functioning of the system analytically based on available measurements of the system. When the system is in normal mode (fault-free state), the parameters are measured and compared does it give similar values as analytically calculated system states. In the case when a failure occurs on one of the subsystems, the values obtained by measurement (using sensors) and those obtained analytically are different. Choosing appropriate analytical method and the state of the system to be measured, it is possible to distinguish the locations of the fault as well as to identify the fault, i.e. to determine whether the fault occurred on the sensor, actuator or structural failure. Physical redundancy can increase the reliability of the aircraft, but on the other hand, it requires higher costs and more complexity in the implementation of the desired system. Methods (physical or analytical) that can be performed to identify the occurrence of a fault in the system are part of the methods of fault detection.

For MAV, a different component of physical redundancies can be used, including redundancy in the propulsion system to increase the mission success rate. In its master thesis ("Fault-tolerant Multirotor Systems"), author Thomas Schneider shows that it is possible to control all degrees of freedom of the octocopter except the yaw angle for any potential double-rotor-fault scenario (the yaw controllability is preserved even in 89% of those scenarios). In similar lines of work (Quan et al., Yang et al., Lunze et al., Franchi et al., Mueller et al.), the authors addressed the

possibility of preserving the controllability of a system for different rotor faults by increasing the number of rotors or using a rotor with tilt possibilities. Also, they have investigated a control strategy for a quadcopter in the case of losing a single, two opposing, or three propellers.

On the other hand, regardless of whether the configuration of a MAV is redundant, the control algorithm has a significant role in improving the fault-tolerance of the MAV system. If a control algorithm is fault-ignorant, having redundant components does not necessarily increase the reliability of the MAV system or the probability of completing the mission. The control algorithms that inherently possess a certain level of robustness to possible failures increase the reliability of the system. There is a large number of methods developed within the framework of fault-tolerant control for MAV including sliding mode control, adaptive fault-tolerant control, control allocation methods for MAVs, reconfigurable control, the backstepping method, model predictive control, control based on a linear quadratic regulator, fuzzy predictive control and many others.

Furthermore, except for carefully selected control algorithms, other aspects can be taken into account to adapt to the newly created state of the MAV after a failure occurs in the subsystems. An essential part is the path planning of the MAV as part of the mission planning. For most of the tasks performed by MAVs, the mission is generally clearly defined, and there are clear subtasks to perform. Each of these subtasks requires path planning for the MAV to accomplish those mission goals. When the MAV is operating in a nominal mode (failure-free case), the control system will guide the MAV along a pre-planned trajectory. In the case of failure occurrence, the MAV will operate with significantly altered characteristics, and it is very likely that the trajectory, which was planned at the beginning of the mission, will not be realizable. For such a scenario (failure occurrence), it is necessary to estimate the MAV state and make a decision to either terminate the mission execution or continue the planned mission. In the case of termination, it is necessary to decide if it is necessary to perform the safe landing immediately or if the MAV can be safely returned to the base. On the other hand, if the MAV is capable of carrying out a mission with degraded performance, it would be necessary to carry out mission re-planning. During re-planning, it is necessary to take into account the new faulty-state and, consequently, the resulting movement constraints (on generating the total thrust force and torques about x , y , z axes). This movement constraints stem from the fact that some of the motors/propellers are faulty so that some of the maneuvers, which were previously planned, cannot be performed. The consequences of the fault can be minimized through the stages of fault detection, fault isolation, selecting a suitable control algorithm that takes into account the fault that has occurred, and though the decision to continue or terminate the mission execution due to this faulty state. Also, if path planning takes into account the probability of failure, it is possible at the initial state of motion planning, to consider different scenarios for all possible failures, to plan different motion options depending on the current state of the MAV. It is a necessity to emphasize the importance

of motion planning for MAVs. Namely, a MAV does not have absolute autonomy, but it instead relies on sensor equipment, computing power, and its propulsion system. If all aspects of a possible mission have been taken into account, and if motion planning has been carried out, that would include any faulty-state that may occur on the MAV, it can be guaranteed, with some probability, that the mission will be performed. Then, it is possible to define a measure of the reliability of the completion of the mission that would be used in the planning phase of the motion planning of the MAV. The motivation for defining a reliability measure of mission completion on MAV can be found in the following reasons. Prior inclusion of failure probabilities during the planning stage of the mission, it may be useful for the system to be more readily able to adapt to the occurrence of a fault and, consequently, to ensure the execution of the given mission with a higher probability than the existing control algorithms in which fault information is not taken into account, as well as with algorithms that use such information in the control algorithm only in the post-fault phase. The inclusion of probability and type of failure in the planning phase can be achieved through an appropriate optimization framework. Motion planning is carried out by taking into account the measure of the reliability of the completion of the mission as a function of the criteria that would depend on the geometry of the MAV, the used control scheme and the probability of occurrence of individual failures resulting from the reliability of individual elements of the MAV system itself. Using a suitable motion planner can ensure that the reliability of the planned mission may be improved. Considering the measure of the reliability of MAV, depending on the type of mission, a decision could be made on the selection of the MAV type that will ensure maximum reliability for the given probability and of planned mission faulty-state type.

The dissertation proposes a novel motion planning algorithm that takes into account potential rotor-failures of the MAV during the planning stage, named here as risk-sensitive planner (*RSP*). The *RSP* planner is much more prepared for rotor-faults during the mission execution than the planner ignorant to those potential faults, named here as risk-insensitive planner (*RIP*). Additionally, the proposed planner is much less conservative compared to the approach which plans the mission assuming the faults will occur during the execution, named as risk-conservative planner (*RCP*). To do so, we propose a procedure for (i) finding a reduced fault-dependent control admissible region, (ii) replacing that region with a set of inequality constraints, (iii) carefully selecting some of the inequality constraints based on fault-tolerant analysis of the given mission, and (iv) forming the final optimization framework which includes the selected constraints.

The first goal of the research was to develop a detailed mathematical model of an octocopter with an even number of rotors in a planar configuration, which was used to analyze the impact of fault-states and design control algorithms to achieve the maneuverability and stability of the MAV. The mathematical model, which was developed, for the case of the octocopter, was then

extended to a generalized model of a multi-rotor system with an even number of motors in a planar configuration. From a generalized model of a multi-rotor system, has been derived the following models - quadcopter, hexacopter (with PNPNP and PPNNPN configuration design, where P and N indicate clockwise (CW) and counter-clockwise (CCW) turning directions of a rotor) and octocopter (with PNPNPNP and PPNNPPNN configuration design). The second goal was to investigate the influences of MAV geometry (such as the influence of the number of rotors and directions of rotation of a related DC motor) on the planned mission and maneuverability of the MAV. As a result of this goal, an optimization framework has been proposed to assess the potential of the MAV for a possible mission execution given a specific MAV type (quadcopter, hexacopter, octocopter or any multi-rotor system), knowing the actuation matrix (A) and the type of faulty-state that occurred on the MAV. The third goal was to investigate and propose a control algorithm that is capable, based on information on the occurrence of a faulty-state, to adjust the control so that the MAV is controlled in an optimal way after the occurrence of a faulty-state. As a result of this goal, the control algorithm was chosen based on a control allocation that uses pseudo-inversion to achieve the required control via the remaining motors of the MAV. Also, within this goal, an algorithm based on the least-squares method is proposed to identify and isolate the occurrence of the faulty-state. The proposed method for fault identification and isolation proved to be effective, which also led to the control based on the control allocation having good performance in the event of an execution of the mission, provided that it is not a faulty-state that leads to a complete loss of controllability. The fourth goal was to understand the possibility of a fault occurrence and the severity of fault consequences. For these purposes, Failure Mode and Effects Analysis (FMEA) has been performed of the MAV. As a result of this goal, a measure of the reliability of the execution of a planned mission is defined, which depends on the geometry of the MAV, the choice of control law, the type of a faulty-state, and the type of mission to be performed. The last, fifth, goal has been to develop a motion planner that would be based on the selected MAV type, possible faulty-state, and depending on the desired of the waypoints, create a motion plan that will increase the reliability of mission completion. As a result of this goal, a new type of motion planner named the *RSP* motion planner has been proposed, which takes into account the possible occurrence of failure on the MAV, and based on constraints on potentially admissible maneuvers, which could occur due to a faulty-state, calculates such movements so that the maneuvers' feasibility and the given trajectory track is least endangered.

There are three basic scientific contributions of this research:

1. *A general mathematical model of a MAV with an even number of motors in a planar configuration that allows a systematic study of the algorithms for motion planning of MAVs focusing the assessment of the risk of failures.* For the application of the developed MAV model, it is necessary to determine an actuation matrix for the selected MAV, which gives

the relationship between the number of motors, directions of rotation, aerodynamic and gyroscopic effect coefficient with generated thrust force T and torques around the axes x , y , and z . The obtained actuation matrix completely defines the model of the MAV and can then be used for simulation purposes.

2. *A measure of the reliability of the execution of a planned mission that takes into account the geometry of the MAV, the possibility of occurred faulty-state, and the proposed control law.* Based on the obtained measure, it is possible to recommend, for a particular mission, what type of MAV (quadcopter, hexacopter, or octocopter) should be selected for the given possibility for occurrence of a fault and the proposed control law, to increase the reliability of the mission execution.
3. *A motion planning algorithm for MAV that increases the reliability of mission execution.* The new type of motion planner named the *RSP* motion planner takes into account the constraints on the control variable that result from the type of selected MAV and the possible fault. Based on this, it calculates a type of maneuver that passes through the desired waypoint in such a way that if a fault occurred during the mission, it would have the least possible effect on the feasibility of route planning.

The dissertation is divided into eight main chapters. Chapters two, six and seven correspond to scientific contributions. Chapters in this dissertation are structured as follows:

Chapter 1. The first chapter gives a brief overview of the historical development of unmanned aerial vehicles, describes the motivation and goal of the research as well as a review of the scientific contributions of the dissertation.

Chapter 2. The derivation of a general mathematical model of a MAV with an even number of motors in a planar configuration is presented in the second chapter. The chapter presents the kinematic model and the dynamic models of the octocopter. Furthermore, the thrust forces and moments about x , y , z axes acting on the octocopter system are described. A dynamic model of a DC motor used to generate the thrust force, and torques of the MAV around the x , y , z axes are also presented. Finally, based on the obtained octocopter model, a general model for MAVs is derived with an even number of motors in a planar configuration.

Chapter 3. The third chapter describes the control architecture used to track the reference trajectories, which consists of a position controller, a speed controller, control allocation and a motor speed controller. Linearization of the octocopter dynamics around the hover configuration of a nonlinear mathematical model of a MAV in the environment of equilibrium is performed. Based on this, controllers are designed that allow for satisfactory tracking of reference trajectories.

Chapter 4. A fault-dependent controllability analysis for quadcopter, hexacopter, and octocopter considering the faults occurred is the topic of the fourth chapter. The performed analysis showed that the allowed set of values of the control variable depends on the type of selected

MAV, the directions of motor rotation, and the possibility of the faulty-state occurrence. An optimization framework is defined that makes it possible to analyze the behavior of the MAV system at the hovering point during faulty-state, and which consequently allows the assessment of the maneuverability potential and the stability of the MAV at the hovering point concerning potential failures. Based on that analysis for a single-fault case or double-fault cases on the MAV, it is possible to assess the possibility of continuing the mission execution. Within the defined optimization framework, a controllability analysis has been performed for the quadcopter, hexacopter, and octocopter systems.

Chapter 5 provides a brief overview of the fault-tolerant control and then proposes an algorithm based on the least-squares method that can identify the faulty-state occurrence and isolate the motor on which the fault occurred. Finally, an extension of the control architecture from the third chapter is proposed to achieve fault-tolerant control. A pseudo-inversion-based control allocation method was used for fault-tolerant control.

Chapter 6. In the sixth chapter, an analysis of the impact of the potential fault and their effects on a MAV with DC motors was performed, to determine which fault is potentially dangerous for the MAV and which actions can be performed to avoid the corresponding fault. The main goal of the analysis was to understand the cause and severity of fault that can occur on a MAV. Finally, a measure was introduced to assess the reliability of the execution of the planned mission based on the type of selected MAV, the control used, the possible fault, and the used motion planner.

Chapter 7. In chapter seven, a new motion planning tool, called the *RSP* Motion Planner, is presented, based on an admissible set of thrust force and torques obtained by analyzing the impact of possible faults during mission execution. Taking into account possible faults, the motion planner generates maneuvers that ensure that the MAV trajectory tracks the reference trajectory. Such a motion planner ensures the execution of the mission, although it requires a little bit of mission planning time.

Chapter 8. In this chapter, conclusions are given about the conducted research and the achieved results as well as the possible directions of future research.

Conclusion: The central hypothesis of this thesis is that the reliability of the execution of a planned mission can be improved by including information on the probability of possible fault occurrences in the mission motion planning phase. All research was aimed at proving this hypothesis. In the second chapter, a detailed mathematical model of the octocopter was derived, from which a generalized model of a MAV with an even number of rotors set in a planar configuration was then derived.

The third chapter presented the synthesis of a simple PD controller that controls the MAV system by tracking the given reference position and orientation of the system. It has been shown that the MAV with the proposed PD controller can be operated satisfactorily with excellent tracking performance of the reference trajectories if all motors are available. However, in the

event of a fault occurrence of the propulsion system, the system is not able to track the reference trajectory anymore.

To be sure that a particular type of MAV has the potential to continue the execution of the mission, regardless of the fault occurrence, in the fourth chapter, an optimization framework for fault-dependent controllability analysis is introduced. The optimization framework considers potential faults and their effects on MAV and its DC motors, depending on the type of selected MAV (quadcopter, hexacopter, or octocopter), the direction of rotation of the motor and the type of fault (single-fault or double-fault case). This analysis shows that a careful selection of the octocopter configuration may additionally influence the overall maneuverability and keep the MAV ready to execute the mission under a variety of faulty states. For instance, when the probability of a double rotor fault is high, we can increase mission reliability by choosing the PPNNPPNN configuration. However, the performed analysis can be generalized for a MAV with $2n$ pairs of DC motors constructed within a planar plane. Triple or quadruple faults can also be analyzed in the same fashion, which makes the proposed framework general. However, the probability of such occurrence is much lower than for single or double faults, so they are not considered in this thesis.

To exploit the results of the fault-dependent MAV maneuverability analysis and to provide a unique testbed for performance analysis of considered motion planners, a mechanism for failure detection and fault-tolerant tracking control is needed.

Additionally, it is necessary to design a control algorithm that can include information about faulty-states of DC motors into the actuation matrix and adjust the control so that the MAV is still optimally controlled during faults. The proposed algorithm for identifying and isolating the occurrence of failure is based on recursive least-squares. The fault identification information can be fed to the control allocation that can use this information so that the necessary control is still achieved by the leftover motors. For this purpose, pseudo-inversion was used as a control allocation mechanism. The described procedure was given in the fifth chapter.

Then, in the sixth chapter, the influence of faulty-state and their effects on the MAV and its DC motors is analyzed to assess the criticality of failure of individual components. This analysis can determine whether, in a particular case, one of the motors is critical, or if there is a possibility that it fails during the mission. If the analysis shows that there is a likelihood of a fault, then this information can be used during the mission planning phase for risk assessment.

In the conducted analysis as a starting point for the development of motion planners concerning fault risk assessment, two types of planners were considered. The first type of planner does not take into account the occurrence of a faulty-state (named the *RIP* motion planner), and the second type of planner takes into account the occurrence of a faulty-state (named the *RCP* motion planner). The *RIP* motion planner generates the fastest possible feasible trajectory given the capabilities of the MAV platform, but the feasibility of the resulting trajectory is sensitive

to the occurrence of a fault. On the other hand, the *RCP* motion planner generates a path that requires execution times, and its disadvantage is that the generated trajectory contains conservative maneuvers and does not use the MAV in the optimal sense. A new type of planner (named *RSP* motion planner) is proposed in the motion planning analysis, which considers the specific mission to be performed, and based on the assessment of possible failure, generates a trajectory that is less sensitive to the possibility of failure occurrence. An optimization framework has been proposed that takes into account the admissible set of control variables, which can be changed depending on the type of MAV and the possible occurrence of a fault on motors. The proposed *RSP* motion planner showed better performance than the *RIP* and *RCP* planners. Knowing the type of mission and risk assessment of failures by applying the proposed *RSP* motion planner, it is possible to generate a trajectory that will increase the reliability of mission execution.

Keywords: Mathematical model of MAV, fault-tolerant control, Failure Mode and Effects Analysis (FMEA), Controllability analysis, Motion planning.

Sadržaj

1. Uvod	1
1.1. Motivacija	2
1.2. Cilj istraživanja	7
1.3. Znanstveni doprinosi	9
1.4. Organizacija disertacije	10
2. Opći matematički model višerotorskih letjelica s parnim brojem rotora u planar- noj konfiguraciji	12
2.1. Osnovni koncepti gibanja oktokoptera	12
2.1.1. Sustav vertikalnog podizanja	14
2.1.2. Rotacija oko X osi - valjanje	15
2.1.3. Rotacija oko Y osi - posrtanje	16
2.1.4. Rotacija oko Z osi - zaošijanje	17
2.2. Kinematika oktokoptera	18
2.3. Dinamika translacijskog gibanja	24
2.4. Dinamika rotacijskog gibanja	24
2.5. Sile i momenti koji djeluju na sustav oktokoptera	26
2.6. Dinamički model istosmjernog motora	31
2.7. Model oktokoptera	32
2.8. Opći model višerotorske letjelice	36
2.9. Zaključak	40
3. Upravljačka arhitektura za praćenje referentnih trajektorija	41
3.1. Pregled stanja postojećih regulatora za upravljanje bespilotnim letjelicama	41
3.2. Projektiranje regulatora brzine vrtnje motora	42
3.3. Projektiranje algoritma upravljačke alokacije	47
3.4. Linearizirani model oktokoptera	49
3.5. Projektiranje regulatora za praćenje visine letjelice u okolini ravnotežnog stanja	51
3.6. Projektiranje regulatora za praćenje orijentacije u okolini ravnotežnog stanja	52

3.7.	Projektiranje regulatora za praćenje pozicije u okolini ravnotežnog stanja	55
3.8.	Upravljačka arhitektura cjelokupnog sustava bespilotne letjelice	61
4.	Upravljačka arhitektura za praćenje referentnih trajektorija	66
4.1.	Ovisnost skupa dopustivih vrijednosti upravljačkih varijabli o kvarnim stanjima	66
4.2.	Postupak određivanja upravljivosti ovisno o tipu kvarnog stanja	71
4.3.	Analiza upravljivosti kvadrokoptera, heksakoptera i oktokoptera s obzirom na nastanak kvarnog stanja	73
4.3.1.	Kvadrokopter	73
4.3.2.	Heksakopter	76
4.3.3.	Oktokopter	79
5.	Upravljanje otporno na kvarna stanja	84
5.1.	Povijesni razvoj upravljanja otpornog na kvarna stanja	84
5.2.	Terminologija u području upravljanja otpornog na kvarna stanja	85
5.3.	Pregled metoda dijagnostike kvarnih stanja i metoda upravljanja otpornih na njih	87
5.3.1.	Podjela metoda upravljanja otpornog na kvarna stanja	88
5.3.2.	Dijagnostika kvarnog stanja na osnovi matematičkog modela	90
5.4.	Otkrivanje i izolacija kvarnih stanja zasnovana na metodi najmanjih kvadrata .	93
5.4.1.	Upravljačka arhitektura za upravljanje otporno na kvarna stanja i simula- cijski rezultati	98
6.	Analiza utjecaja kvarnih stanja i njihova djelovanja na bespilotnu letjelicu . .	103
6.1.	Uvodna razmatranja o projektiranju letjelica i FME analizi	103
6.2.	Osnove analize utjecaja kvarnih stanja i njihovih djelovanja na razmatrani sustav	105
6.3.	FME analiza za bespilotnu letjelicu s električnim pogonskim motorima	109
6.4.	Definiranje mjere za procjenu završetka misije	112
7.	Planiranje gibanja bespilotne letjelice zasnovano na analizi kvarnih stanja vezanih za misiju	114
7.1.	Prikaz dopuštenog skupa upravljačke varijable korištenjem nejednadžbi	114
7.2.	Predloženi optimizacijski okvir za planiranje gibanja	116
7.3.	Planer gibanja zasnovan na riziku proisteklom na misiji zasnovanoj FME analizi kvarnih stanja	119
7.4.	Rezultati dobiveni primjenom RSP planera gibanja	120
8.	Zaključak	135
Literatura	137

Popis slika	146
Popis tablica	150
Životopis	152
Biography	154

Poglavlje 1

Uvod

Od najranijih dana ljudske povijesti postoji fascinacija čovjeka letom. Od trenutka kada je i prvi put ostvaren (let balonom i let prvim zrakoplovom), postoje nastojanja da se letjelicom upravlja bez ljudske posade. Najveću zainteresiranost za ovu problematiku pokazala je vojna industrija [1] koja je bila pokretač istraživanja i najveći financijer razvoja. Suradnja vojne i zrakoplovne industrije, kao i akademske zajednice, pokrenula je ubrzan razvoj bespilotnih letjelica, tako da danas u svijetu postoji veliki broj bespilotnih letjelica (zrakoplovi i helikopteri), koje obavljaju raznovrsne zadatke, kako za vojne tako i za civilne svrhe. Primjeri uporabe bespilotnih letjelica u misijama nadzora terena i spašavanja u urbanim sredinama opisani su u [1]. Civilni sektor (policija, vatrogasci, gradske službe za interventne akcije) koriste bespilotne letjelice za svoje potrebe. Tako na primjer, u radu [2], opisana je uporaba bespilotnih letjelica za pomaganje područjima koja su pogođena katastrofama (potresi, poplave, požari, radijacija i sl.). Bespilotne se letjelice također upotrebljavaju za zračni nadzor društvenih događaja (skupovi, koncerti, demonstracije) [3], [4], profesionalno fotografiranje ili snimanje scena za filmove [5]. Primjena bespilotnih letjelica za policijski nadzor granica i sprječavanje ilegalnih ulazaka u zemlju predmet je rada [6]. Također, policija i uprave većih gradova koriste bespilotne letjelice za nadzor i analizu stanja u prometu [7]. U radovima [8], [9] opisan je primjer korištenja bespilotnih letjelica za nadzor stanja poljoprivrednih usjeva. Naime, za slučaj da usjeve napadnu štetni korovi tada područja koja su napadnuta mijenjaju oblik i boju što je uočljivo iz visine pa stručnjaci agronomskih instituta mogu donositi kvalitetne odluke o tretiranju korova. Elektroenergetske tvrtke koriste bespilotne letjelice za otkrivanje kvara na dalekovodima [10] i [11]. Pored navedenih uporaba, bespilotne se letjelice koriste u zadacima termalne inspekcije visokih objekata [12], strukturalnih inspekcija stanja mostova [13], pregleda krovova, tornjeva, hidroelektrana, brana i lokacija koje su teško pristupačne. Bespilotne letjelice koriste se i kao edukacijske platforme za testiranje i ocjenu novih ideja u različitim područjima, kao što su razvoj upravljačkih algoritama za bespilotne letjelice u stvarnom vremenu [14], [15], lokalizacija i kartiranje [16], te u drugim istraživačkim projektima.

Vojska Sjedinjenih Američkih Država posjeduje veći broj bespilotnih letjelica koje koristi kako u pozadinskim operacijama tako i u neposrednim vojnim akcijama. Navedimo primjer *predatora* koji se trenutno upotrebljava u misijama u Afganistanu, Pakistanu i Iraku i koji je do sada imao preko 100000 pouzdanih radnih sati letenja [17]. Međutim, letjelice tipa *predatora* predstavljaju visoko sofisticiranu opremu koju opslužuje veliki broj operatera i iza koje stoji zahtjevna logistika. Pored toga, cjenovni rang letjelica tipa *predator* je oko četiri milijuna američkih dolara [18]. Zbog visoke jedinične cijene i zahtjevne logistike na terenu, vojska SAD-a pokrenula je projekt razvoja jeftinih bespilotnih letjelica. Cilj je projekta bio razvoj jeftine bespilotne letjelice koja bi mogla obavljati većinu zadataka koje obavljaju standardne bespilotne letjelice (zrakoplovi i helikopteri). Smanjenje jedinične cijene omogućava da se u uporabu može uvesti veći broj letjelica koje mogu obavljati raznovrsne zadatke, a povećava se i broj grupa koje istražuju nove uporabe letjelica (akademska zajednica i sektor amatera-istraživača). Da bi se letjelica učinila što jeftinijom bilo je potrebno promijeniti koncept konstrukcije, tako da se dizajn bespilotnih letjelica razvijao u smjeru jednostavne konstrukcije i korištenja jeftinih komponenata. Također, senzori koji se danas koriste za potrebe bespilotnih letjelica, imaju male dimenzije, malu potrošnju i dostupni su po veoma niskim cijenama. Paralelno s minijaturizacijom senzora, razvijeni su različiti tipovi ugradbenih računala koja se odlikuju velikom brzinom procesiranja i pristupačnom cijenom. Sve ovo dovelo je do toga da se kompletna bespilotna letjelica može sastaviti po relativno niskoj cijeni i da je konstrukcija takvog jednog sustava prilično jednostavna. Jednostavan konstrukcijski dizajn imao je za posljedicu i olakšano upravljanje. Danas se bespilotne letjelice proizvode u raznim konstrukcijskim varijantama, počevši od malih i mini helikoptera, umanjenih inačica zrakoplova, višerotorskih sustava do letjelica koje su bio-inspirirane.

1.1 Motivacija

Između različitih konstrukcijskih rješenja za bespilotne letjelice, danas se najviše koriste višerotorski sustavi. Višerotorski leteći sustavi pripadaju klasi letjelica s vertikalnim uzlijetanjem (*engl. Vertical Take-Off and Landing, VTOL*) i posjeduju određene prednosti u odnosu na druge tipove letjelica, kao što su: jednostavnija izvedba pogonskog sustava i manja geometrija [19], sposobnost lebdenja u prostoru od interesa, slijetanja na malu površinu, gibanje kroz prostor malom brzinom, uporaba u otvorenim i zatvorenim prostorima. Također, koriste se za izvršavanje zadataka koji su teški za čovjeka i gdje su izraženi rizici od povreda, kao što je nadzor i kartiranje terena u neprijateljskom okruženju, nadzor požara i područja koja su pogođena radijacijom i/ili biološkim agensima i dr. Najčešće korištena platforma u istraživačkim projektima je kvadrokopter, s obzirom da su četiri rotora dovoljna za potpunu upravljivost sustava u odnosu na raspoložive stupnjeve slobode gibanja. Razvoj višerotorskih sustava potaknula je vojska, ali je i akademska

zajednica pokazala interes. Tako se u tezi [20] iz 2007. godine navodi desetak projekata na temu bespilotnih letjelica i njihovih zadataka, koji su tada bili aktivni (mikro i mini letjelice). Konstrukcija bespilotne letjelice već je postala rutinski zadatak i mnoga sveučilišta je zadaju kao projektni zadatak studentima u okviru redovnih nastavnih aktivnosti [21]. U preglednom radu [22], autor je izvršio podjelu višerotorskih sustava u pet klasa. Klasu I čine bespilotne letjelice u punoj veličini koje karakteriziraju velika nosivost i autonomija leta. Klasu II čine bespilotne letjelice srednje veličine koje imaju nosivost do 10 kilograma, dok su same letjelice teže od 30 kg. Letjelice iz klase II koriste se za specifične zadatke u kojima je potrebno nositi težu senzorsku opremu. U III klasu ulaze letjelice male veličine koje mogu nositi teret do 10 kg, dok je ukupna masa letjelice manja od 30 kg. Karakteriziraju ih slične performanse kao letjelice u klasi II, ali su znatno jeftinije. Klasu IV karakterizira manja veličina letjelica namijenjenih za rad u otvorenim i zatvorenim prostorima, a mogu nositi teret do 2 kg. Autonomija im je od 5 minuta do 1 sat. Bespilotne letjelice koje spadaju u V klasu karakteriziraju male dimenzije i nosivost manja od 100 grama. Namijenjene su za rad u zatvornim prostorima, a uglavnom predstavljaju bio-inspirirane sustave. Za potrebe istraživačke zajednice kao i za potrebe amatera-istraživača trenutno se najviše koriste letjelice iz klase IV [22]. U poplavama koje su se dogodile u ljeto 2014. godine na području Hrvatske, BiH i Srbije, za nadzor poplavljenih područja primijenjene su bespilotne letjelice klase IV opremljene termalnim kamerama. Letjelica klase IV će se koristiti za svrhu validacije rezultata o okviru ove doktorske teze.

Kao što je navedeno, postoji veći broj primjena u kojima se koriste bespilotne letjelice. Cilj je svake od tih primjena da letjelica ispravno i pouzdano obavlja zadatak za koji je konstruirana. Međutim, bez obzira na konstrukcijsko rješenje, kvar se može dogoditi na sustavu aktuatora, senzora, regulatora ili može doći do strukturalnog kvara. Kada se dogodi kvar, može doći do prekida izvršavanja planirane misije ili potpunog gubitka letjelice. Međutim, kvar može biti takav da ne predstavlja ozbiljan problem za rad sustava u cjelini, ali se pri mehaničkoj konstrukciji sustava ili u upravljačkom algoritmu nije razmatrao takav tip kvara pa i manji kvarovi dovode do završetka misije bespilotne letjelice. Ako bi se kvar uzeo u razmatranje u fazi fizičke konstrukcije ili u fazi projektiranja regulatora, gubitak letjelice odnosno prestanak njene misije mogao bi se izbjeći. Nameće se pitanje posjeduje li bespilotna letjelica u slučaju nastanka kvara mogućnost otkrivanja nastalog kvara i prilagodbe na kvar, pri čemu se razlikuju dva aspekta prilagodbe. Prvi aspekt predstavlja održavanje stabilnosti sustava letjelice za namjenu za koju je projektirana, a drugi aspekt podrazumijeva donošenje odluke o nastavku ili prekidanju misije koju letjelica izvršava, odnosno ponovnom planiranju početne misije.

Navedena razmatranja nisu nova i datiraju iz 60-tih godina prošlog stoljeća, kada se razmatrao aspekt stabilnosti industrijskih sustava. Iz tog razdoblja potekla je i teorija upravljanja sustavima otpornim na kvarove (*engl. Fault tolerant control*), koja je već u prilično zrelom stadiju razvoja te postoje mnoge metode pomoću kojih je moguće nadzirati sustave i otkrivati nastanak kvara.

U osnovi, kada sustav funkcionira normalno (bez kvara) svi parametri sustava su u očekivanim granicama. U slučaju nastanka kvara neki od podsustava više ne rade u okviru očekivanja, te se ispad iz normalnog režima može propagirati kroz ostale podsustave. Kvar na jednom podsustavu u konačnici može dovesti do toga da cijeli sustav više ne može obavljati funkciju za koju je projektiran. Ako bi se provodio stalni nadzor rada sustava u cjelini, kao i njegovih pojedinih podsustava, onda bi se u slučaju kvara koji je opasan po cijeli sustav moglo ispravno reagirati. Ako je kvar na nekom od podsustava takav da njegov ispad može dovesti do havarije sustava u cjelini, tada bi se moglo izvesti "sigurnosno gašenje" sustava kojim se upravlja. Upravo opisani način "sigurnosnog gašenja" se u početku koristio u industrijskim postrojenjima, prvenstveno onima vezanim za petrokemiju, u okviru koje se i počela razvijati teorija upravljanja otporna na kvarove.

Rana teorija u području upravljanja otpornog na kvarove kao i zaključci koji su izvedeni iz teorije upravljanja otpornog na kvarove preuzeti su i dorađeni u zrakoplovnoj industriji. Naime, kada se uoči da je neki parametar koji je bitan za stanje letjelice izvan normalnog opsega potrebno je izvršiti određenu akciju za eliminiranje nastalog stanja. Međutim, kvar može biti uzrokovan otkazom aktuatora i/ili senzora te kao takav predstavlja najopasniju klasu kvarova. Zbog toga je u zrakoplovnoj industriji uveden pojam "fizička redundancija", koja podrazumijeva istovremeno mjerenje varijable od interesa (visina, tlak, brzina leta, nagib zrakoplova, stanje zakreta kormila) s više senzora (najčešće tri ili četiri) s potpuno različitim mjernim tehnologijama, kako bi se spriječila mogućnost pojave istog kvara na istom tipu senzora. Nakon izvršenog mjerenja uspoređuju se sve izmjerene vrijednosti, a za slučaj da jedno od mjerenja značajno odstupa, mjerenja se s tog senzora više ne uzimaju u razmatranje. Zapravo, vjerojatnost istovremenog otkaza dvaju ili više senzora manja je nego vjerojatnost otkaza samo jednog pa se ovakav tip odlučivanja naziva "većinsko glasanje". Na isti način, ako je potrebno odlučiti između toga jeli u pitanju strukturalni kvar ili kvar senzora, tada "fizička redundancija" može pomoći u donošenju odluke. Ako svi senzori daju vrijednost koja je izvan granica dopuštenog opsega onda je vjerojatnije da se radi o strukturalnom kvaru nego da su svi senzori istovremeno otkazali. Na taj način povećava se pouzdanost rada letjelice, ali s druge strane to iziskuje veće troškove i znatniju složenost prilikom projektiranja samog sustava. Pored ove tehnike razvijena je i tzv. analitička redundancija koja ne zahtijeva ugradnju dodatnih komponenata ali koja svaku varijablu koja je bitna za funkcioniranje sustava izračunava analitičkim putem na osnovi dostupnih mjerenja stanja sustava. Kada je sustav u normalnom režimu (stanje bez kvara), očitana i proračunata vrijednost stanja sustava daju slične vrijednosti. U slučaju nastanka kvara na nekom od podsustava, vrijednosti koje su dobivene mjerenjem (pomoću senzora) i one dobivene analitičkim putem značajno se razlikuju. Pogodnim odabirom analitičkih metoda i stanja varijabli koje se mjere moguće je razlikovati lokacije nastanka kvara kao i identificirati kvar, tj. ustanoviti je li do kvara došlo na senzoru, aktuatoru ili se radi o strukturalnom kvaru.

Metode (fizičke ili analitičke) koje su u stanju identificirati pojavu kvara na sustavu potpadaju pod metode identifikacije kvara (*engl. Fault detection*). Međutim, kako je moguće da se određeni kvar propagira kroz cijeli sustav, moguće je da pravo mjesto nastanka kvara ostane skriveno. Metode pomoću kojih se od svih mogućih podsustava locira koji je zapravo u kvaru, odnosno koji njegov dio, nazivaju se metodama se izolacije kvara (*engl. Fault isolation*).

Ako bi se vjerojatnost pojave kvara uzela u razmatranje u fazi fizičke konstrukcije ili u fazi projektiranja regulatora, gubitak upravljivosti letjelice odnosno prestanak njene planirane misije bi se mogao izbjeći. Tako se u radovima [23–26] razmatra mogućnost očuvanja upravljivosti sustava s različitim brojem rotora prilikom nastanka kvara. U radu [27] razmatra se potreba uvođenja redundancije pogonskog sustava uvođenjem u uporabu heksakoptera i oktokoopera, odnosno višerotorske letjelice sa šest i osam rotora, respektivno, pri čemu je pokazano da je potpuna upravljivost oktokoopera zadržana u 89% scenarija koje razmatraju istovremene kvarove na dva rotora [28] dok je u preostalim scenarijima moguće upravljati pozicijom letjelice s tim da nije moguće upravljati orijentacijom.

S druge strane, bez obzira je li sama struktura letjelice pogonski redundantna, algoritam upravljanja igra veliku ulogu. Ako algoritam upravljanja nije u stanju iskoristiti dobivenu informaciju o nastanku kvara, tada dodatni pogoni ne povećavaju pouzdanost letjelice niti povećavaju vjerojatnost završetka misije. Algoritmi upravljanja koji inherentno posjeduju određeni stupanj robusnosti na neke od mogućih kvarova sustava dodatno povećavaju cjelokupnu pouzdanost sustava u smislu izvršenja zadane misije.

Postoji veći broj metoda koje su razvijene u okviru ovih razmatranja i svaka od njih ima svoje prednosti i mane. Pobrajimo samo neke od njih. Primjena metode klizne ravnine s naglaskom na upravljanje otporno na kvarove predmet je rada [29]. Korištenje adaptivnog upravljanja otpornog na kvarove razmatrano je u radovima [30], [31]. U radovima [32] i [33] opisuju se tehnike korištenja alokacije kontrolnih površina za upravljanje bespilotnom letjelicom. Pristup koji se zasniva na rekonfigurabilnom upravljanju otpornom na kvarove predmet je rada [34]. Metoda koje se zasniva na *backstepping* metodi upravljanja predmet je radova [35], [36]. Uporaba upravljanja otpornog na kvarove koje je temeljeno na "Flatnes Based" pristupu opisana je u radu [37]. Upravljanje otporno na kvarove koje je temeljeno na modelskom prediktivnom upravljanju predmet je rada [38]. U radu [39] opisano je korištenje linearnog kvadratnog regulatora za upravljanje otporno na kvarove na sustavu dostave vode. Primjer korištenja neizrazitog prediktivnog upravljanja kao upravljačke strategije za upravljanje otporno na kvarove prezentirano je u radu [40]. Zapravo, na procjenu vjerojatnosti završetka misije utječe kako fizička konstrukcija letjelice tako i korišteni algoritam za upravljanje letjelicom.

Pored pažljivo odabranog upravljanja može se voditi računa i o drugim aspektima za prilagodbu na novonastalo stanje bespilotne letjelice nakon nastanka kvara na nekom od podsustava. Jednako je važno planiranje gibanja bespilotne letjelice u okviru planiranja misije koju je po-

trebno izvršiti. Kod većine zadataka koje obavljaju bespilotne letjelice, misija je uglavnom jasno definirana i postoje jasni podzadaci koje je potrebno obaviti. Jedan od načina na koji bi se moglo raditi jest planiranje gibanja koje ta letjelica treba ostvariti. Kada letjelica radi u nominalnom režimu (slučaj bez kvara), sustav upravljanja će voditi letjelicu po unaprijed isplaniranoj putanji. U slučaju nastanka kvara letjelica će operirati s bitno izmijenjenim karakteristikama i vrlo je vjerojatno da putanja, koja je isplanirana na početku misije, neće biti ostvarena. Za takav scenario (nastanak kvara) potrebno je izvršiti procjenu stanja letjelice i donijeti odluku o prekidanju ili nastavku misije. Za slučaj da je neophodno prekinuti izvršavanje misije potrebno je donijeti odluku mora li se odmah izvršiti prinudno prizemljenje ili se letjelica može sigurno vratiti u bazu. S druge strane ako je letjelica sposobna izvršiti misiju s nešto degradiranim performansama, bilo bi potrebno izvršiti ponovno planiranje misije. Kod ponovnog planiranja bi bilo potrebno uzeti u obzir novonastalu situaciju odnosno nastala ograničenja. Nova ograničenja proistječu iz činjenice da su neki od motora/propelera u kvaru tako da se neki od manevara, koji su ranije planirani, ne mogu izvesti. Primjerice, može se dogoditi da bespilotna letjelica ne može letjeti brzinom kojom je ranije mogla ili ne može dosegnuti planiranu visinu. Posljedice uzroka nastanka kvara mogu se minimizirati kroz faze otkrivanja kvara, izolacije kvara, pogodno odabranog upravljanja koje u obzir uzima nastali kvar te kroz donošenje odluke o nastavku ili prekidanju misije zbog novonastale situacije. Također, ako se prilikom samog planiranja uzme u obzir da postoji određena vjerojatnost od nastanka kvara, moguće je već u početnoj fazi planiranja gibanja uzeti u obzir različite scenarije za sve moguće kvarove, kako bi se unaprijed isplanirale različite opcije gibanja ovisno o trenutnom stanju letjelice. Potrebno je naglasiti važnost planiranja gibanja za bespilotne letjelice iz razloga što bespilotne letjelice nemaju apsolutnu autonomiju, nego ona zavisi od senzorske opreme, računalne moći i sustava pogona. Ako su svi aspekti moguće misije uzeti u obzir i ako je izvršeno planiranje zadataka koje bi uključilo sve neželjene situacije koje letjelica treba obaviti, može se s određenom vjerojatnošću računati na to da će se misija i obaviti. Odnosno moguće je definirati mjeru pouzdanosti završetka misije koja bi se koristila u fazi planiranja gibanja same letjelice.

Motivacija za definiranje mjere pouzdanosti završetka misije na višerotorskim letećim sustavima može se pronaći u sljedećim razlozima. Apriorno uključivanje vjerojatnosti kvarova u fazi planiranja misije može biti od koristi sustavu da se spremnije adaptira na pojavu kvarnog stanja i posljedično osigura izvršenje zadane misije s većom vjerojatnošću u odnosu na postojeće algoritme upravljanja kod kojih se informacija o kvarnom stanju ne uzima u obzir, kao i u odnosu na algoritme koji takvu informaciju koriste u algoritmu upravljanja isključivo u fazi nakon nastanka kvara. Uključivanje vjerojatnosti i tipa kvara u fazu planiranja može se postići putem odgovarajućeg optimizacijskog okvira. Planiranje gibanja provodi se uz uzimanje u obzir mjere pouzdanosti završetka misije kao funkcije kriterija koja bi ovisila o geometriji letjelice, korištenom upravljanju i vjerojatnosti nastanka pojedinih kvarova proizašlih iz pouzdanosti

pojedinih elemenata same letjelice. Korištenjem pogodnog planera gibanja može se osigurati poboljšanje pouzdanosti planirane misije. Razmatrajući mjeru pouzdanosti završetka misije za različite tipove bespilotnih letjelica, mogla bi se, ovisno o tipu misije, donijeti odluka o odabiru tipa letjelice koja će s obzirom na vjerojatnost i tip kvara osigurati maksimalnu pouzdanost planirane misije.

1.2 Cilj istraživanja

Danas je u uporabi veliki broj bespilotnih letjelica, koje obavljaju raznovrsne zadatke. Svaka od primjena zahtijeva da letjelica ispravno i pouzdano obavlja zadatak za koji je konstruirana. Za slučaj nastanka kvarnog stanja na bespilotnoj letjelici, može doći do prestanka izvršavanja planirane misije. Kako bi se letjelica adaptirala na mogući nastanak kvarnog stanja ključno je istražiti mogućnost uključivanja informacija o geometriji letjelice, korištenom algoritmu upravljanja i vjerojatnosti nastanka kvarova pojedinačnih dijelova letjelice u planiranje gibanja bespilotne letjelice s ciljem poboljšanja pouzdanosti završetka misije. Da bismo postigli zadani cilj, definirat će se mjera pouzdanosti završetka misije u ovisnosti o geometriji letjelice i izabranom upravljačkom zakonu. Kao prvi cilj bilo je neophodno razviti detaljan matematički model bespilotne letjelice s parnim brojem rotora, koji smo koristili za analizu utjecaja kvarnih stanja i primijenjenih upravljačkih algoritama na upravljivost i stabilnost letjelice. Matematički model koji je razvijen za slučaj oktokoptera potom je proširen u poopćeni model višerotorskog sustava s parnim brojem motora u planarnoj konfiguraciji. Iz poopćenog su modela u kasnijoj analizi, promjenom oblika aktuacijske matrice izvedeni sljedeći modeli:

- kvadkoptera,
- heksakoptera (s PNPNP i PPNNPN smjerovima vrtnje motora),
- oktokoptera (s PNPNPNP i PPNNPPNN smjerovima vrtnje motora).

Drugi je cilj disertacije istražiti utjecaje geometrije letjelice (kao što je utjecaj broja rotora i smjera vrtnje svakog pojedinačnog rotora) na planiranu misiju i upravljivost letjelice. Kao rezultat ovoga cilja, predložen je optimizacijski okvir s pomoću kojega je moguće procijeniti potencijal letjelice za mogući nastavak misije za konkretan tip letjelice (kvadkopter, heksakopter, oktokopter ili bilo koji višerotorski sustav), znajući aktuacijsku matricu (A) i tip nastalog kvarnog stanja. Kako se sustavom bespilotne letjelice upravlja promjenom brzina vrtnje pogonskih motora to je veza između generirane sile potiska (*engl.* thrust T) na bespilotnoj letjelici i momenata ($\tau = [\tau_x \quad \tau_y \quad \tau_z]^T$) oko osi x , y i z , s brzinama vrtnje motora data je s $u = A\Omega_s = [T \quad \tau]^T = [T \quad \tau_x \quad \tau_y \quad \tau_z]^T$, gdje Ω_s predstavlja vektor brzina pojedinačnih pogonskih motora. Kod ispitivanja upravljivosti i stabilnosti letjelice definira se točka lebdenja koju letjelica treba doseći te u toj točki ostati u stabilnom stanju, odnosno za tu je zadaću neophodno da sustav može

dosegnuti referentno upravljanje u obliku $u_{ref} = [mg \ 0 \ 0 \ 0]^T$. Za tako definiran problem optimizacije, nakon primjene optimizacijskog okvira moguća su sljedeća tri slučaja:

1. Ako rješenje ne postoji, tada se točka lebdenja ne može doseći, pa prema tome sustav nije niti upravljiv niti stabilan za dopustivo područje upravljačke varijable.
2. Ako rješenje postoji te se pri tome dobije da je $e_p = u_{ref} - u = [0 \ 0 \ 0 \ 0]^T$, onda je dosezanje točke lebdenja izvedivo te je sustav upravljiv i stabiliziran uz dopustive vrijednosti upravljačke varijable.
3. Ako rezultat minimizacije postoji, ali pogreška odstupanja ima vrijednosti pojedinih komponenata pogreške koje nisu jednake nuli, tada mogu nastupiti sljedeća dva slučaja:
 - (a) Potrebno je ponoviti optimizaciju pri čemu vrijednost referentnog upravljanje treba postaviti na $u_{ref} = [T \ \tau_x \ \tau_y]^T = [mg \ 0 \ 0]^T$. Ako ponovljenom optimizacijom dobijemo da je iznos pogreške $e_p = [0 \ 0 \ 0]^T$, tada je moguće sustav dovesti u točku lebdenja, ali će se sustav vrtjeti oko z-osi. Za ovaj slučaj kažemo da je sustav upravljiv, ali nije stabiliziran.
 - (b) Ako ponovljenom optimizacijom dobijemo da iznos pogreške e_p nema nulte vrijednosti, tada se za sve pojedinačne komponente dobiva rješenje koje je najbliže izvedivom, te njegovom analizom možemo utvrditi koja od pojedinih komponenata vektorski definirane pogreške e_p nije jednaka nuli, odnosno moguće je zaključiti koja pojedina komponenta nije zadovoljena. Znajući iznose pojedinih komponenata vektora pogreške e_p može se zaključiti hoće li doći do pada letjelice (ako je $T < mg$) ili do njezina dodatnog podizanja (ako je $T > mg$) ili će doći do rotacije sustava letjelice oko pojedinačnih osi u pozitivnom ili negativnom smjeru u ovisnosti od predznaka pojedinih komponenata vektora pogreške.

Treći je cilj disertacije istražiti i pronaći algoritam koji je u stanju, na osnovi informacije o nastanku kvarnog stanja, izvršiti prilagodbu upravljanja tako da se letjelicom i nakon nastanka kvarnog stanja upravlja na optimalan način. Kao rezultat ovoga cilja odabrano je upravljanje temeljeno na upravljačkoj alokaciji koje koristi pseudo-inverziju da potrebno upravljanje ostvari preko preostalih ispravnih pogonskih motora letjelice. Također, u okviru ovog cilja dan je prijedlog algoritma temeljenog na metodi najmanjih kvadrata kako bi se izvršila identifikacija i izolacija nastanka kvarnog stanja. Predložena metoda za identifikaciju i izolaciju kvara pokazala se efikasnom čime je i upravljanje temeljeno na upravljačkoj alokaciji pokazalo dobre performanse u slučaju nastavka misije, uz uvjet da se ne radi o kvarnome stanju koje dovodi do gubitka upravljivosti.

Četvrti se cilj odnosi na razumijevanje mogućnosti nastanka kvarnog stanja te ozbiljnosti koju ono može prouzročiti u sustavu. Zbog toga je u šestom poglavlju predstavljena analiza utjecaja

kvarnih stanja na bespilotnu letjelicu s pogonskim motorima. Za ove potrebe korištena je analiza utjecaja kvarnih stanja i njihovih učinaka (*engl.* FMEA.- Failure Mode and Effects Analysis) na bespilotnu letjelicu. Kao rezultat ovoga cilja definirana je mjera pouzdanosti završetka misije koja ovisi o geometriji letjelice, izboru upravljačkog zakona, tipu mogućeg kvarnog stanja i tipu misije koju treba izvršiti. Kao zadnji cilj trebalo je razviti planer gibanja koji će, na osnovi odabranog tipa letjelice (o tipu odabrane letjelice ovisi početno dopustivo područje vrijednosti upravljačke varijable), mogućem kvarnom stanju (o ovome ovisi oblik područja vrijednosti upravljačke varijable) i ovisno u rasporedu putnih točaka, napraviti planiranje gibanja koje će povećati pouzdanost završetka misije. Kao rezultat ovoga cilja predložen je novi tip planera gibanja nazvan *RSP* planerom gibanja koji uzima u obzir mogući nastanak kvara na bespilotnoj letjelici, te na osnovi ograničenja na potencijalne izvedene manevre, koja bi mogla nastati zbog kvarnog stanja, proračunava takva gibanja da je izvedivost manevra i praćenje zadate putanje u najmanjoj mjeri ugroženo.

1.3 Znanstveni doprinosi

U disertaciji su ostvareni sljedeći znanstveni doprinosi

1. *Opći matematički model višerotorskog letećeg sustava s parnim brojem rotora u planarnoj konfiguraciji koji omogućuje sustavno istraživanje algoritama planiranja gibanja bespilotnih letjelica s obzirom na procjenu rizika kvarnih stanja.* Za primjenu razvijenog modela potrebno je za odabrani tip letjelice formirati matricu aktucije, koja daje vezu između broja motora, smjerova vrtnje rotora, aerodinamičkog koeficijenta i koeficijenta žiroskopskog efekta s generiranom silom potiska T i momentima vrtnje oko osi x , y i z , čime je potpuno definiran model letjelice te se nakon toga može koristiti za potrebe simulacije.
2. *Mjera pouzdanosti izvršenja misije letjelice koja uzima u obzir geometriju letjelice, kvarno stanje i primijenjeni upravljački zakon.* Na osnovu dobivene mjere moguće je za određenu misiju izvršiti preporuku kakav tip letjelice (kvadkopter, heksakopter ili oktokopter) je potrebno odabrati, s obzirom na mogući nastanak kvarnog stanja i odabrani tip upravljanja, kako bi se pouzdanost završetka misije povećala.
3. *Algoritam planiranja gibanja letjelice s ciljem povećanja pouzdanosti izvršenja misije.* Novi tip planera gibanja nazvan *RSP* planer gibanja, uzima u razmatranje ograničenja na upravljačku varijablu koja proistječu iz tipa odabrane letjelice i mogućeg kvarnog stanja te na osnovu toga proračunava takav tip manevra da se prilikom gibanja računa prolazak kroz putne točke od interesa na takav način da ako dođe do kvarnog stanja na sustavu bespilotne letjelice to ima najmanji učinak na izvedivost planiranje putanje.

1.4 Organizacija disertacije

Disertacija je podijeljena u osam glavnih poglavlja. Poglavlja dva, šest i sedam odgovaraju znanstvenim doprinosima. Disertacija je organizirana na sljedeći način:

- U prvom poglavlju je dan kratki osvrt na povijesni razvoj bespilotnih letjelica, opisana je motivacija te cilj provedenih istraživanja kao i osvrt na znanstvene doprinose disertacije.
- U drugome poglavlju predstavljeno je izvođenje općeg matematičkog model višerotorske letjelice s parnim brojem planarnih rotora. U poglavlju su izvedeni kinematički model oktokoptera te dinamički modeli linijskog i rotacijskog gibanja oktokoptera. Nadalje, opisane su sile i momenti koji djeluju na sustav oktokoptera. Prikazan je i dinamički model istosmjernog motora koji se koristi za generiranje sile potiska i momenata letjelice oko osi x , y i z . Na koncu je, na osnovi cjelovitog modela oktokoptera, izveden opći model višerotorskih letjelica s parnim brojem planarnih motora.
- U trećem poglavlju opisana je korištena upravljačka arhitektura za praćenje referentnih trajektorija, koja se sastoji od regulatora pozicije, regulatora zakreta, upravljačke alokacije te regulatora brzine vrtnje motora. Linearizan je nelinearni matematički modele višerotorske letjelice u okolini ravnotežnog stanja te su projektirani regulatori koji omogućuju zadovoljavajuće praćenje referentnih trajektorija.
- Analiza upravljivosti višerotorskih sustava s obzirom na nastanak kvarnog stanja je tema četvrtoga poglavlja. Provedenom analizom pokazano je da dopušteni skup vrijednosti upravljačke varijable ovisi o tipu odabrane letjelice, smjerovima vrtnje motora te o potencijalnom nastanku kvarnog stanja. Definiran je optimizacijski okvir pomoću kojega je moguće analizirati ponašanje sustava bespilotne letjelice u točki lebdenja pri kvarnom stanju, što omogućuje procjenu potencijala upravljivosti i stabilnosti letjelice u točki lebdenja s obzirom na potencijalna kvarna stanja. Na osnovi te analize za svaki je pojedinačni jednostruki ili dvostruki kvar na letjelici moguće procijeniti mogućnost nastavka misije. U okviru definiranog optimizacijskog okvira provedena je analiza upravljivosti za sustav kvadkoptera, heksakoptera i oktokoptera.
- U petom poglavlju dan je kratki pregled područja upravljanja otpornog na kvarna stanja, a potom je predložen algoritam zasnovan na metodi najmanjih kvadrata koji može identificirati nastanak kvarnog stanja te izolirati motor na kojemu je kvar nastao. Na koncu, predloženo je proširenje upravljačke arhitekture iz trećeg poglavlja kojim se postiže upravljanje otporno na kvarna stanja. Za upravljanje otporno na kvarna stanja korišten je metod upravljačke alokacije temeljen na pseudo-inverziji.
- U šestom poglavlju izvršena je analiza utjecaja kvarnih stanja i njihovih djelovanja na bespilotne letjelice pogonjene istosmjernim motorima, kako bi se utvrdilo koje je kvarno

stanje potencijalno opasno za letjelicu te što se može poduzeti da se to kvarno stanje izbjegne. Glavni je cilj analize razumjeti uzrok i ozbiljnost kvarnih stanja koja mogu nastati na bespilotnoj letjelici. Na koncu, uvedena je mjera koja omogućuje procjenu pouzdanosti izvršenja planirane misije na osnovi tipa odabrane letjelice, korištenoga upravljanja, mogućega kvarnog stanja i korištenoga planera gibanja.

- U sedmome poglavlju, predstavljen je novi alat za planiranje gibanja bespilotnih letjelica, nazvan *RSP* planerom gibanja, zasnovan na dopustivom skupu vektora upravljanja koji se dobiva analizom utjecaja mogućih kvarnih stanja tijekom izvršavanja misije. Uzimajući u obzir moguća kvarna stanja, planer generira manevre bespilotne letjelice koji osiguravaju da trajektorija bespilotne letjelice slijedi referentnu trajektoriju. Takvim planiranjem osigurava se izvršenje misije, iako uz nešto dulje trajanje.
- U zadnjem, osmom, poglavlju dani su zaključci o provedenim istraživanjima i postignutim rezultatima te su naznačeni mogući pravci budućih istraživanja.

Poglavlje 2

Opći matematički model višerotorskih letjelica s parnim brojem rotora u planarnoj konfiguraciji

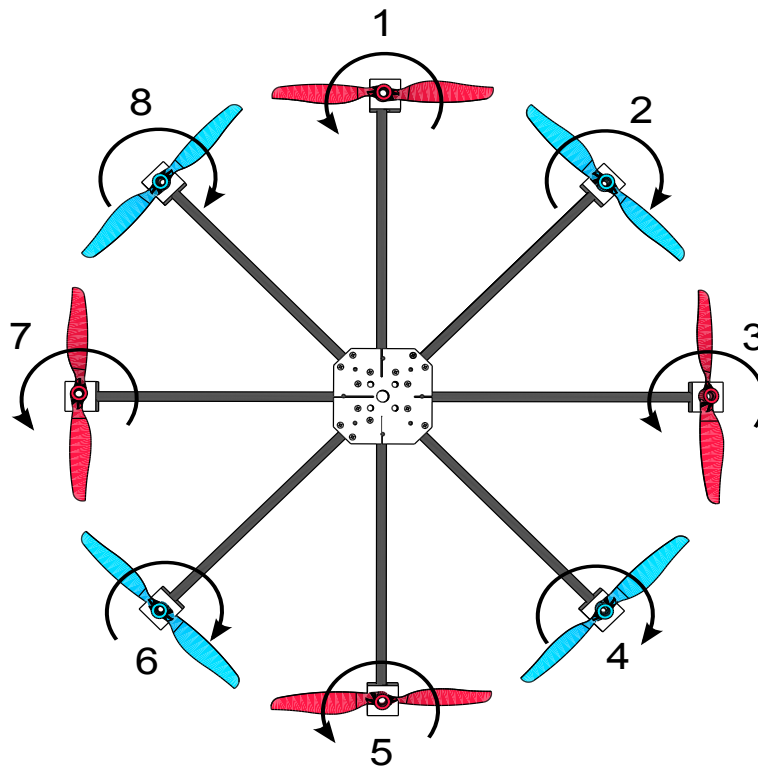
U ovome je poglavlju dan matematički model sustava oktokoptera, odnosno izveden je dinamički model upravljanog sustava. Matematički opis sustava može se izvesti pomoću Newton-Eulera [20], [41], [42] ili Lagranga pristupa [20], [43], [44]. U ovoj je disertaciji za izvođenje matematičkog modela korišten Newton-Eulerov pristup. Matematički je model bitan jer je pomoću njega moguće opisati sva gibanja sustava u trodimenzionalnom prostoru s obzirom na ulaze koje je moguće na njega primijeniti (naponi na rotorima motora). Zahvaljujući matematičkom modelu sustava moguće je razviti i njegov simulacijski model, te na temelju simulacijskog modela razviti odgovarajuće upravljanje, jer se ponašanje sustava (njegova pozicija, orijentacija, brzina i ubrzanje) mogu predvidjeti na temelju narinutih napona na ulaze motora s propelerima.

Na početku poglavlja opisan je upravljani sustav i uvedeni osnovni signali koje je neophodno generirati da bi se ostvarila osnovna gibanja oktokoptera. Za potpuno razumijevanje potrebnih jednadžbi definirani su koordinatni sustavi u kojima se opisuju lokalno i globalno ponašanje modeliranog sustava kao i transformacije za prijelaz iz jednog u drugi koordinatni sustav. Potom su opisane sile i momenti koji djeluju na sustav te njihova veza s pozicijom, orijentacijom, brzinom i ubrzanjem sustava, te veze između tih veličina u svakom od definiranih koordinatnih sustava.

2.1 Osnovni koncepti gibanja oktokoptera

Višerotorska platforma koja se koristi u ovoj disertaciji jest oktokopter. Oktokopter sadrži osam istosmjernih motora (*engl.* Direct Current motor - DC motor) na koje su pričvršćeni propeleri

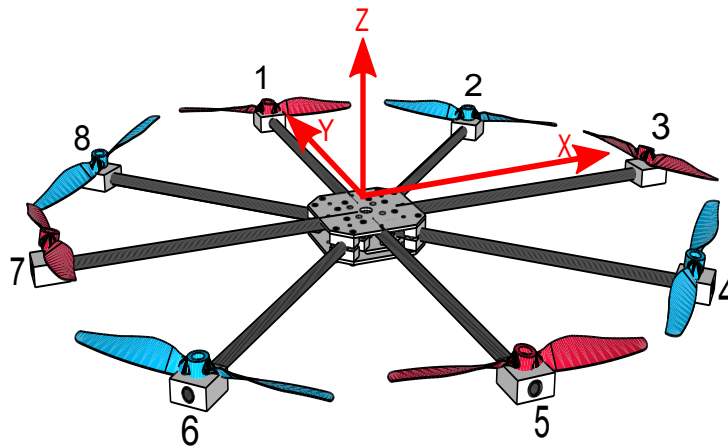
(slika 2.1).



Slika 2.1 – Prikaz oktokoptera (pogled odozgo).

Tijelo oktokoptera sadrži osam segmenata (duljine l) povezanih s središnjim dijelom oktokoptera, na čijim se drugim krajevima nalaze motori s propelerima. Motori su pričvršćeni na segmentima oktokoptera tako da nemaju mogućnost zakretanja (kao što je to slučaj kod standardne konstrukcije helikoptera, gdje se pomoću zakretanja motora ostvaruju osnovna gibanja helikoptera). Segmenti su međusobno razmaknuti za kut od 45 stupnjeva počevši od motora označenog brojem 1. Na taj način oktokopter tvori simetričnu konstrukciju. Sve elektroničke komponente koje se koriste za pogon motora, komunikaciju s korisnikom kao i regulatori postavljeni su na središnjem mjestu oktokoptera. Da bi se objasnila osnovna gibanja oktokoptera (*engl.* roll, pitch, yaw) neophodno je definirati i koordinatni sustav za opisivanje osnovnih gibanja. Ako se za ishodište lokalnog koordinatnog sustava izabere centar mase oktokoptera, gdje X os leži na pravcu koji tvore motori broj 7 i 3 (pozitivan smjer od motora 7 prema motoru 3), Y os na pravcu kojeg tvore motori 5 i 1 (pozitivan smjer od motora 5 prema motoru 1), dok je Z os usmjerena prema gore, dobiva se + struktura oktokoptera (slika 2.2) s PNPNPNPN smjerom vrtnje motora (P-pozitivan, N-negativan). Pored ove strukture postoje i druge strukture u formaciji X ili s PPNNPPNN smjerom vrtnje [27], kao i različite inačice rasporeda motora poput oktokoptera V konstrukcije ili oktokoptera X konstrukcije s koaksijalno postavljenim motorima [45]. Odabrana struktura predstavlja "klasičnu strukturu" s osam motora i naizmjeničnim smjerom vrtnje motora.

Budući da je mehanička konstrukcija oktokoptera jednostavna (od pokretnih dijelova sadrži samo motore na koje su pričvršćeni propeleri), očigledno je da su upravljački signali kojima



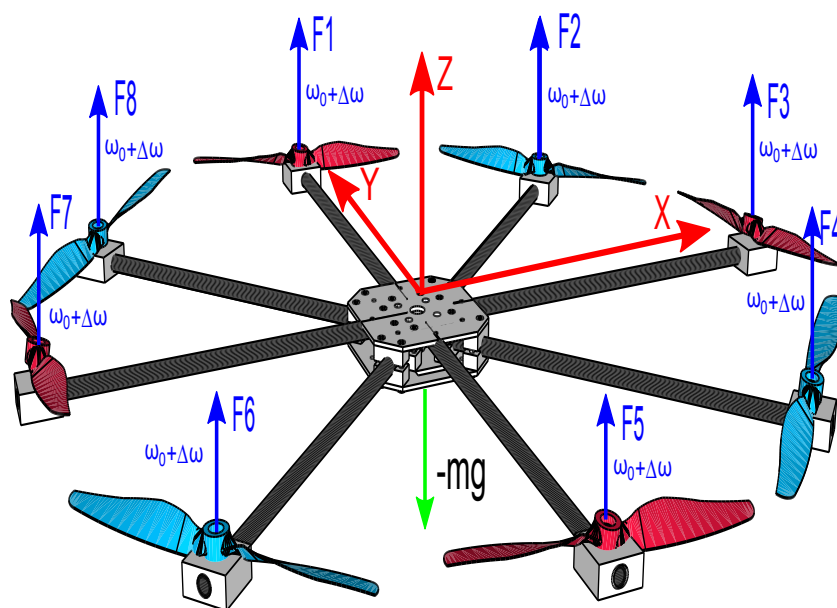
Slika 2.2 – Lokalni koordinatni sustav.

se upravlja brzinom vrtnje svakog motora ponaosob jedine varijable na koje se može utjecati. Promjenom brzine vrtnje svakog motora (čime se mijenja i pojedinačna sila podizanja na svakom propeleru) možemo dovesti do promjene pozicije i orijentacije cjelokupnog sustava. U nastavku se ukratko opisuje svako od pojedinačnih gibanja koje se može ostvariti s pogodnim odabirom brzine vrtnje svakog od motora s propelerom.

2.1.1 Sustav vertikalnog podizanja

Kao što se može uočiti sa slike 2.1., oktokopter posjeduje osam motora s propelerima od kojih se četiri (1., 3., 5. i 7.) vrte u jednom (pozitivnom), a preostala četiri (2., 4., 6. i 8.) u suprotnom (negativnom) smjeru. Takav sustav vrtnje je neophodan kako bi se onemogućila rotacija sustava oko Z osi. Propeleri koji se nalaze na motorima koji se vrte u različitim smjerovima imaju različitu aerodinamiku, tako da je generirana sila u oba slučaja usmjerena u pravcu pozitivnog dijela Z osi. To je jedan od razloga zašto je većina višerotorskih sustava organizirana s parnim brojem rotora (najraširenija je konfiguracija s četiri rotora a nešto rjeđe su konfiguracije sa šest i osam rotora). Kada bi se na svih osam motora s propelerima doveo istovjetan upravljački signal generiralo bi se osam pojedinačnih sila u vertikalnom smjeru (slika 2.3). Ako je sustav u idealnom horizontalnom položaju, uz uvjet da je osigurano da na njega ne djeluju nikakvi poremećaji i ako su sve generirane sile istovjetne tj. $F_1 = F_2 = \dots = F_8$, tada je zbroju ovih sila, koje djeluju u pozitivnom smjeru Z osi, suprotstavljena jedino sila gravitacije. U trenutku kada ukupan zbroj sila generiranih motorima s propelerima bude jednak jakosti gravitacijskog djelovanja (svi propeleri se vrte brzinom ω_0 [$rad\ s^{-1}$]), sustav će se početi podizati u pozitivnom smjeru Z osi. Daljnjim povećanjem brzine vrtnje svih osam motora s propelerima ($\omega_0 + \Delta\omega$) može se osigurati gibanje u smjeru Z osi. Pozitivan parametar ($\Delta\omega$) ne smije imati preveliku vrijednost da ne bi došli do izražaja utjecaji nelinearnih djelovanja (žiroskopski utjecaj i Coriolis-ova sila) ili da ne bi motor s propelerima otišao u zasićenje. Promjenom intenziteta parametra $\Delta\omega$ može

se izvršiti promjena generirane sile koja djeluje u pravcu pozitivnog dijela Z osi. Sustav se na opisani način može podizati/spuštati promjenom vrijednosti parametra $\Delta\omega$ (u opsegu od 0 do $\Delta\omega_{max}$), dok se ω_0 drži na vrijednosti koja omogućuje podizanje sustava iznad same podloge. Za slučaj kada sustav nije u idealnom horizontalnom položaju, odnosno kada s osima X i Y zauzima određeni kut, tada se generirana sila podizanja može rastaviti na komponente duž osi X i Y tako da se ostvaruje gibanje u horizontalnom smjeru. Upravo ovo djelovanje omogućuje oktokopteru dovođenje u bilo koju točku u prostoru, odnosno da se lako može gibati u bilo kojem željenom smjeru. Ako vrijednost parametra $\Delta\omega$ nije jednaka po svim osima motora s propelerima tada će doći do naginjanja oktokoptera u odnosu na smjer osi X i Y ili do rotacije oko Z osi. U nastavku će se objasniti način generiranja naredaba koje dovode do rotacije oko X, Y i Z osi.

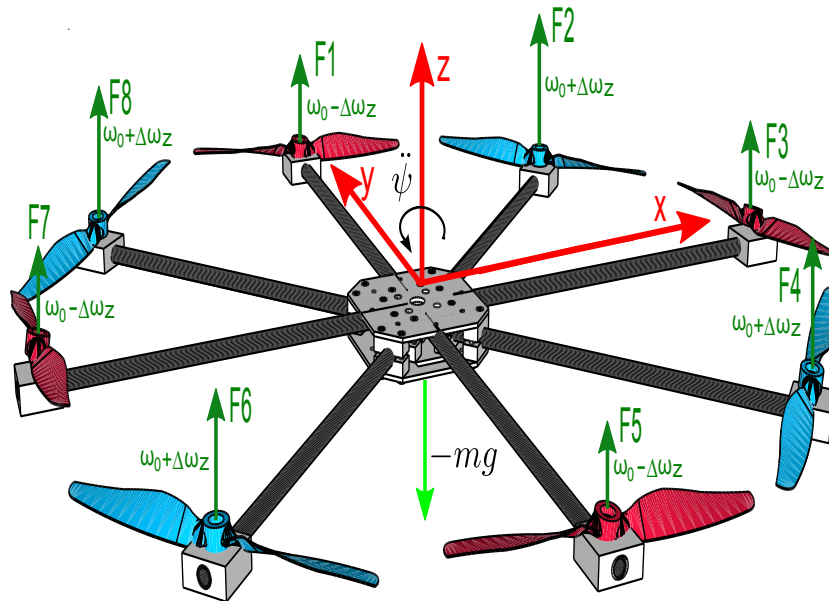


Slika 2.3 – Generirane sile na pogonskim motorima.

2.1.2 Rotacija oko X osi - valjanje

Ako se s ϕ označi rotacija oktokoptera oko X osi (*engl. roll*), tada je neophodno pronaći kombinaciju sila koje ostvaruju rotaciju oktokoptera samo oko X osi, pri čemu se rotacija oko osi Y i Z ne ostvaruje. Raspored brzine vrtnje motora s propelerima, odnosno generirane sile, predodčen je slikom 2.4.

Kao što se može uočiti na slici 2.4, brzine vrtnje motora 1., 2. i 8. uvećane su za iznos $\Delta\omega_x$ dok su brzine vrtnje motora 4., 5. i 6. umanjene za isti iznos. Na taj način su generirane sile $F_1 = F_2 = F_8$ po intenzitetu veće od sila $F_3 = F_7$ (koje se dobivaju kada se njihovi pripadajući rotori vrte nominalom brzinom ω_0) kao i od generiranih sila $F_4 = F_5 = F_6$ (ove sile su po intenzitetu manje od nominalnih sila $F_3 = F_7$). Kako je $F_1 + F_2 + F_8 > F_4 + F_5 + F_6$ to se generira



Slika 2.6 – Rotacija oko Z osi.

2.2 Kinematika oktokoptera

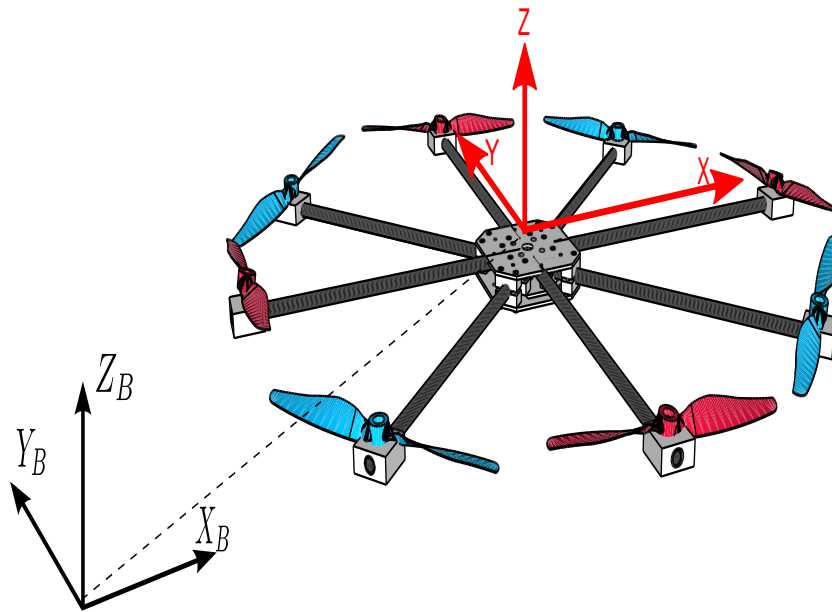
Kinematika proučava geometrijske aspekte gibanja krutog tijela ne uzimajući u obzir što uzrokuje gibanje tijela [46]. Za uspješan opis gibanja sustava oktokoptera u trodimenzionalnom prostoru neophodno je definirati i odgovarajuće koordinatne sustave u odnosu na koje se opisuje njegovo gibanje. Ranije je definiran lokalni koordinatni sustav (slika 2.2) čije je ishodište postavljeno u centar gravitacije oktokoptera. Pored toga koordinatnog sustava neophodno je definirati i osnovni (globalni) koordinatni sustav u odnosu na koji se računaju sve relacije i čije je koordinatno ishodište čvrsto vezano za Zemlju. Taj se koordinatni sustav naziva baznim (slika 2.7) i njegove su koordinatne osi postavljene na sljedeći način:

$Z_B \rightarrow$ usmjeren prema gore

$Y_B \rightarrow$ usmjeren prema magnetskom (sjevernom) polu

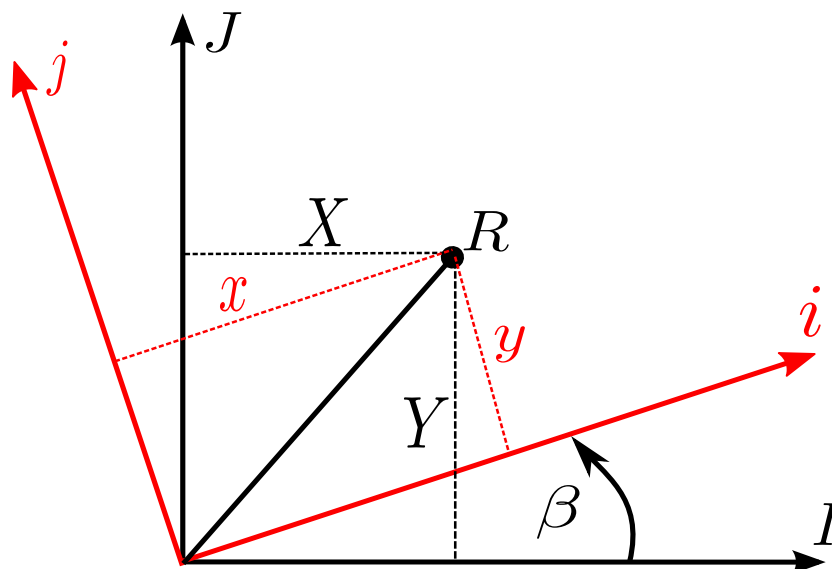
$X_B \rightarrow$ usmjeren prema istoku

Neka su u nekom početnom trenutku bazni i lokalni koordinatni sustav usklađeni, odnosno neka im se osi poklapaju (zauzimaju isti pravac i smjer). Pozicija centra mase oktokoptera, za ovakav slučaj, u baznom koordinatnom sustavu dana je kao $\xi_B = [X_B, Y_B, Z_B]^T$, dok je orijentacija oktokoptera u lokalnom koordinatnom sustavu u odnosu na bazni sustav opisana s $\Theta_B = [\phi, \theta, \psi]^T$. Obično se kutovi $[\phi, \theta, \psi]$ nazivaju Eulerovim kutovima [46]. Ako dođe do gibanja oktokoptera u lokalnom koordinatnom sustavu on će u odnosu na njega imati određenu linearnu brzinu $V = [u, v, w]$ i kutnu brzinu $\omega = [P, Q, R]$. U nastavku se izlaže veza između Eulerovih kutova, linearnih i kutnih brzina u lokalnom sustavu s pozicijom, s brzinom i orijentacijom u baznom sustavu.



Slika 2.7 – Bazni koordinatni sustav.

Promotrimo koordinatni sustav s jediničnim ortovima I i J i u odnosu na njega sustav s jediničnim ortovima i i j koji je zarotiran za pozitivan iznos kuta β (slika 2.8). Ako imamo točku R u prostoru obaju koordinatnih sustava tada su njene koordinate u početnom koordinatnom sustavu (I, J) dane s $R(X, Y)$ dok su u rotiranom koordinatnom sustavu dane s $R(x, y)$. Očito je da vrijedi [47] :



Slika 2.8 – Dvodimenzionalna transformacija koordinata.

$$R = X \cdot I + Y \cdot J = x \cdot i + y \cdot j \quad (2.1)$$

Ako se izraz (2.1) pomnoži jediničnim vektorom i (u svrhu dobivanja koordinate x) dobivamo:

$$X \cdot I \cdot i + Y \cdot J \cdot i = x \cdot i \cdot i + y \cdot j \cdot i. \quad (2.2)$$

Uzimajući u obzir da je:

$$\begin{aligned} I \cdot i &= \cos(\beta) \\ J \cdot i &= \sin(\beta) \\ i \cdot i &= 1 \\ j \cdot i &= 0 \end{aligned} \quad (2.3)$$

dobiva se:

$$x = X \cdot \cos(\beta) + Y \cdot \sin(\beta). \quad (2.4)$$

Ako se nadalje izraz (2.1) pomnoži jediničnim vektorom j (u svrhu dobivanja koordinate y) dobiva se:

$$X \cdot I \cdot j + Y \cdot J \cdot j = x \cdot i \cdot j + y \cdot j \cdot j. \quad (2.5)$$

Uzimajući u obzir da je:

$$\begin{aligned} I \cdot j &= -\sin(\beta) \\ J \cdot j &= \cos(\beta) \\ i \cdot j &= 0 \\ j \cdot j &= 1 \end{aligned} \quad (2.6)$$

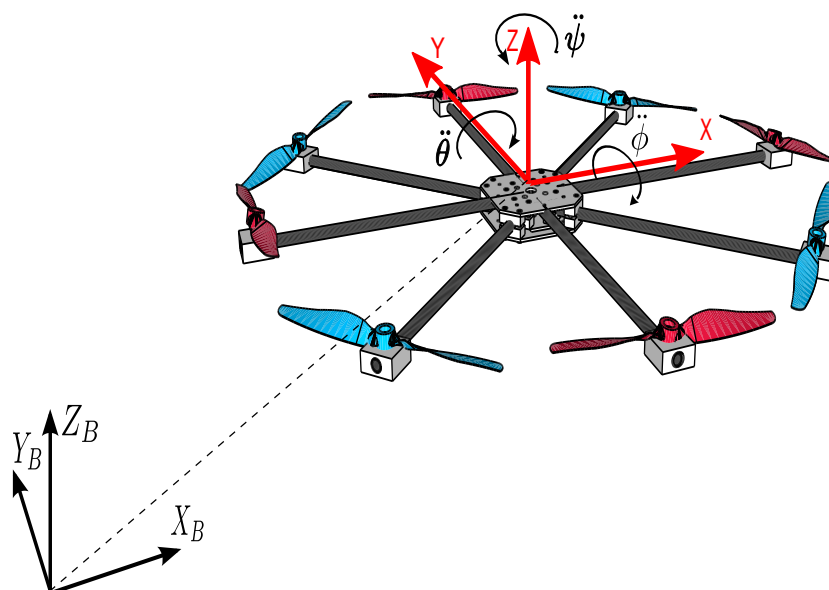
slijedi:

$$y = -X \cdot \sin(\beta) + Y \cdot \cos(\beta).$$

Ako se opisana rotacija obavlja oko Z osi koja je ortogonalna u odnosu na ravninu rotacije X, Y tada vrijedi $z = Z$. Na opisani se način može definirati matrica rotacije pomoću koje možemo dobivati koordinate točke R u koordinatnom sustavu (i, j) , znajući njene koordinate u početnom sustavu (I, J) , kao i kut za koji je dani sustav zarotiran. Navedena je matrica rotacije (rotacija oko Z osi za kut β) oblika:

$$R(Z, \beta) = \begin{bmatrix} \cos(\beta) & \sin(\beta) & 0 \\ -\sin(\beta) & \cos(\beta) & 0 \\ 0 & 0 & 1 \end{bmatrix}. \quad (2.7)$$

Sada se mogu opisati potrebne relacije koje opisuju rotaciju cjelokupnog sustava oktokoptera (slika 2.9)



Slika 2.9 – Rotacija oktokoptera u lokalnom i globalnom koordinatnom sustavu.

Ako je lokalni koordinatni sustav zarotiran za kutove $[\phi, \theta, \psi]$ u odnosu na bazni koordinatni sustav tada Eulerovi kutovi $[\phi, \theta, \psi]$ opisuju kako rotirati lokalni koordinatni sustav da bi se on poravnao s baznim sustavom. Te se rotacije izvode u tri odvojena koraka: prvo se rotira oko Z osi za kut ψ , potom oko osi Y za kut θ i na kraju oko osi X za kut ϕ (smjerovi rotacije prikazani su na slici 2.9). Ove se rotacije mogu opisati pomoću matrica rotacija dobivenih primjenom postupka pomoću kojega je određena matrica (2.7). Potrebne su rotacije dane sljedećim izrazima [48] (korištena je skraćena notacija koja podrazumijeva da je: $\sin(\beta) = s_\beta$ i $\cos(\beta) = c_\beta$):

$$R(X, \phi) = \begin{bmatrix} 1 & 0 & 0 \\ 0 & c_\phi & -s_\phi \\ 0 & s_\phi & c_\phi \end{bmatrix} \quad (2.8)$$

$$R(Y, \theta) = \begin{bmatrix} c_\theta & 0 & s_\theta \\ 0 & 1 & 0 \\ -s_\theta & 0 & c_\theta \end{bmatrix} \quad (2.9)$$

$$R(Z, \psi) = \begin{bmatrix} c_\psi & -s_\psi & 0 \\ s_\psi & c_\psi & 0 \\ 0 & 0 & 1 \end{bmatrix}. \quad (2.10)$$

Ukupna rotacija cijelog sustava, koja se izvrši slijedom $Z \rightarrow Y \rightarrow X$ u odnosu na bazni (početni) sustav iznosi:

$$\begin{aligned} R(\phi, \theta, \psi) &= R(Z, \psi) \cdot R(Y, \theta) \cdot R(X, \phi) \\ &= \begin{bmatrix} c_\psi \cdot c_\theta & c_\psi \cdot s_\theta \cdot s_\phi - s_\psi \cdot c_\phi & c_\psi \cdot s_\theta \cdot c_\phi + s_\psi \cdot s_\phi \\ s_\psi \cdot c_\theta & s_\psi \cdot s_\theta \cdot s_\phi + c_\psi \cdot c_\phi & s_\psi \cdot s_\theta \cdot c_\phi - c_\psi \cdot s_\phi \\ -s_\theta & c_\theta \cdot s_\phi & c_\theta \cdot c_\phi \end{bmatrix}. \end{aligned} \quad (2.11)$$

Izraz (2.11) naziva se matricom kosinusa smjerova (*engl.* direction cosine matrix) i za nju vrijedi $R^{-1} = R^T$. Osim Eulerovih kutova ϕ, θ, ψ , za potrebe ove disertacije interesantne su i kutne brzine samog sustava tj.:

$$\omega = \begin{bmatrix} P & Q & R \end{bmatrix}^T \quad (2.12)$$

gdje je:

$P \rightarrow$ kutna brzina sustava oko X osi,

$Q \rightarrow$ kutna brzina sustava oko Y osi,

$R \rightarrow$ kutna brzina sustava oko Z osi.

Kutne brzine sustava ne predstavljaju derivacije Eulerovih kutova, te je neophodno prikazati vezu između Eulerovih kutova i njihovih derivacija s rotacijskim brzinama. Da bi se došlo do iste pozicije za bilo koju koordinatu u rotacijskom sustavu, neophodno je obaviti uzastopne rotacije oko pojedinih osi, na temelju čega se dobiva [48]:

$$\omega = \begin{bmatrix} \omega_X \\ \omega_Y \\ \omega_Z \end{bmatrix} = \begin{bmatrix} P \\ Q \\ R \end{bmatrix} = R^T(X, \phi) \cdot R^T(Y, \theta) \cdot R^T(Z, \psi) \cdot \begin{bmatrix} 0 \\ 0 \\ \dot{\psi} \end{bmatrix} +$$

$$+ R(X, \phi) \cdot R(Y, \theta) \cdot \begin{bmatrix} 0 \\ \dot{\theta} \\ 0 \end{bmatrix} + R(X, \phi) \cdot \begin{bmatrix} \dot{\phi} \\ 0 \\ 0 \end{bmatrix} \quad (2.13)$$

odakle slijedi:

$$\begin{bmatrix} P \\ Q \\ R \end{bmatrix} = \begin{bmatrix} 1 & 0 & -s_\theta \\ 0 & c_\phi & s_\phi \cdot c_\theta \\ 0 & -s_\phi & c_\phi \cdot c_\theta \end{bmatrix} \cdot \begin{bmatrix} \dot{\phi} \\ \dot{\theta} \\ \dot{\psi} \end{bmatrix} = R_A \cdot \begin{bmatrix} \dot{\phi} \\ \dot{\theta} \\ \dot{\psi} \end{bmatrix} \quad (2.14)$$

gdje je:

$$R_A = \begin{bmatrix} 1 & 0 & -s_\theta \\ 0 & c_\phi & s_\phi \cdot c_\theta \\ 0 & -s_\phi & c_\phi \cdot c_\theta \end{bmatrix} \cdot$$

Za matricu R_A vrijedi:

$$R_A^{-1} = \begin{bmatrix} 1 & s_\phi \cdot t_\theta & c_\phi \cdot t_\theta \\ 0 & c_\phi & -s_\phi \\ 0 & \frac{s_\phi}{c_\theta} & \frac{c_\phi}{c_\theta} \end{bmatrix}$$

Na temelju uspostavljenih veza između koordinata u lokalnom sustavu (X, Y, Z) i poznatih zakreta sustava (ϕ, θ, ψ) , može se doći do pozicije u baznom sustavu kao i do relacija o kutnim brzinama samoga sustava, odnosno može se doći do skupa varijabla $(\phi, \theta, \psi, \dot{\phi}, \dot{\theta}, \dot{\psi})$.

2.3 Dinamika translacijskog gibanja

Za razliku od kinematike, dinamika se bavi proučavanjem sila i momenata i njihova učinka na kruto tijelo u pokretu. Translacijsko gibanje krutoga tijela, po II. Newtonovu zakonu, rezultat je djelovanja sila. Tako vrijedi da je:

$$F = m \cdot a = m \cdot \frac{dv}{dt}. \quad (2.15)$$

Neophodno je naglasiti da se $\frac{dv}{dt}$ može izravno računati u slučaju inercijalnog sustava, što ovdje nije slučaj. Zapravo brzina gibanja u lokalnom koordinatnom sustavu je promjenjiva i u odnosu na početni (bazni) sustav, može se izračunati koristeći Coriolisovu jednadžbu [46]:

$$\left(\frac{dv}{dt}\right)_B = \left(\frac{dv}{dt}\right)_L + \omega_{L/B} \times v_L \quad (2.16)$$

gdje je:

B – indeks baznog (inercijalnog) sustava,

L –indeks lokalnog sustava (vezanog za tijelo koje se kreće),

$\omega_{L/B}$ –kutna brzina lokalnog sustava u odnosu na bazni sustav,

v_L –brzina tijela u sustavu vezanog za tijelo.

Uvrštenjem (2.16) u (2.15) dobije se:

$$F = m \cdot (\dot{v}_L + \omega_{L/B} \times v_L), \quad (2.17)$$

odakle slijedi da je:

$$\dot{v}_L = \frac{F}{m} - \omega_{L/B} \times v_L. \quad (2.18)$$

2.4 Dinamika rotacijskog gibanja

Ako se II. Newton-ov zakon primjeni na rotacijsko gibanje:

$$\tau = \frac{dh}{dt} = \frac{d(J \cdot \omega)}{dt} \quad (2.19)$$

gdje je h kutni moment ($h = J \cdot \omega$). Kao i za dinamiku translacijskog gibanja, član $\frac{dh}{dt}$ u izrazu (2.19) može se računati samo za inercijalne sustave. Analogno razmatranju provedenom za dinamiku translacijskog gibanja, u slučaju rotacijskog gibanja može se zapisati:

$$\tau = \left\{ \left(\frac{dh}{dt} \right)_L + \omega_{L/B} \times h \right\} = J \cdot \dot{\omega}_L + \omega_{L/B} \times J \cdot \omega_L. \quad (2.20)$$

Iz jednadžbe (2.20) slijedi da je:

$$J \cdot \dot{\omega}_L = \tau - \omega_{L/B} \times J \cdot \omega_L \quad (2.21)$$

Neophodno je još odrediti vrijednost tenzora inercije. Izraz za tenzor inercije u općem je slučaju dan kao:

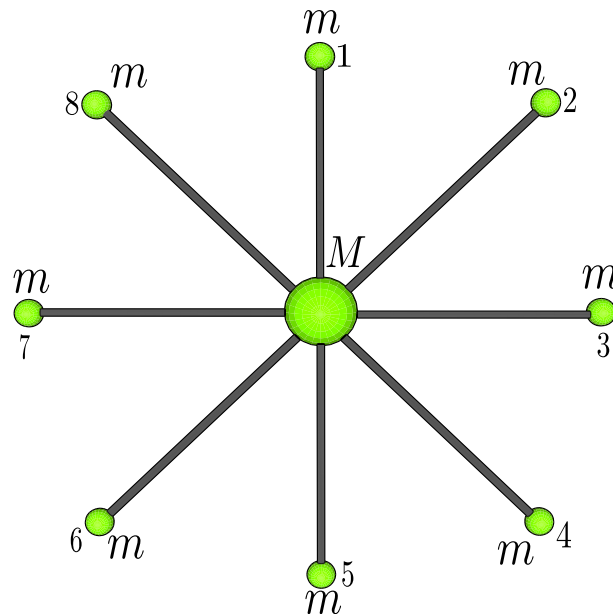
$$J = \begin{bmatrix} J_{XX} & J_{XY} & J_{XZ} \\ J_{YX} & J_{YY} & J_{YZ} \\ J_{ZX} & J_{ZY} & J_{ZZ} \end{bmatrix}. \quad (2.22)$$

Za slučaj simetričnih tijela svi nedijagonalni elementi jednaki su nuli, tj. za $i \neq j$ je $J_{i,j} = 0$ pa za izraz (2.22) možemo pisati:

$$J = \begin{bmatrix} J_{XX} & 0 & 0 \\ 0 & J_{YY} & 0 \\ 0 & 0 & J_{ZZ} \end{bmatrix}. \quad (2.23)$$

Neophodno je izračunati vrijednosti preostalih elemenata J_{XX} , J_{YY} , J_{ZZ} . Za ovo je potrebno načiniti određena pojednostavljenja, tj. smatramo da je masa cijelog sustava koncentrirana u centru sustava (mase M) sfernog oblika polumjera R , a da su preostali motori zapravo materijalne točke (mase m) udaljeni od centra za duljinu l i uzajamno razmaknuti za kut od 45 stupnjeva.

Da bi se izračunali momenti inercije koristit će se poučak o usporednim osima [49], koji je poznat i kao Huygens–Steinerov teorem. Kao što se može uočiti na slici 2.10., rotacija prouzročena zbog rotacije propelera na motorima 3. i 7. neće imati utjecaj na rotaciju oko X osi, jer su sile koje oni generiraju okomite na os X . S druge strane motori 1. i 5. nalaze se na udaljenosti l od osi X . Motori 2., 4., 6. i 8. se nalaze na udaljenosti $l \cdot \sin(45^\circ)$ u odnosu na X os. Analogno razmatranju za X os, provodi se razmatranje za Y os. Motori 1. i 5. neće imati utjecaja, motori 3. i 7. nalaze se na udaljenosti l , dok se motori 2., 4., 6. i 8. nalaze na udaljenosti $l \cdot \sin(45^\circ)$ u odnosu na Y os. Što se tiče rotacije oko Z osi, pored utjecaja ukupne mase sustava, na moment inercije će imati utjecaj svaki od osam motora koji se u odnosu na Z os nalaze na udaljenosti l . Sada se može pisati:



Slika 2.10 – Mase sustava.

$$\begin{aligned}
 J_{XX} &= J_{YY} = \frac{2MR^2}{5} + 2ml^2 + 4 \left(\frac{\sqrt{2}}{2}l \right)^2 \cdot m = \frac{2MR^2}{5} + 4ml^2 \\
 J_{ZZ} &= \frac{2MR^2}{5} + 8ml^2.
 \end{aligned}
 \tag{2.24}$$

2.5 Sile i momenti koji djeluju na sustav oktokoptera

Da bi se shvatilo kako upravljati sustavom oktokoptera neophodno je poznavati sve sile koje djeluju na njega. Jedina varijabla kojom je moguće upravljati je brzina vrtnje motora. Budući da se svaki od motora može vrtjeti različitom brzinom, to se mogu generirati različite sile F_i ($i = 1, \dots, 8$, svaka je od ovih sila ortogonalna na ravninu vrtnje propelera i usmjerena u pozitivnom smjeru Z osi, i je indeks upravljanog motora) i momenti oko X , Y i Z osi, tj. τ_x, τ_y, τ_z . Svaka se generirana sila može (pojednostavljeno) predložiti umnoškom brzine vrtnje (kvadrat brzine) i pozitivnog faktora (koji ovisi o tipu odabranog propelera na motoru), što se može zapisati kao:

$$F_i = b \cdot \Omega_i^2 \tag{2.25}$$

Pored navedenih sila, na sustav oktokoptera djeluje i gravitacijska sila, dok je jedina sila koja se može suprotstaviti gravitaciji sila podizanja, koja je uzrokovana vrtnjom propelera. Tako se za silu uzgona koju ćemo u nastavku teksta označiti s T (*engl. thrust*) može pisati:

$$T = \sum_{i=1}^8 F_i = \sum_{i=1}^8 b \cdot \Omega_i^2 = b \cdot (\Omega_1^2 + \Omega_2^2 + \Omega_3^2 + \Omega_4^2 + \Omega_5^2 + \Omega_6^2 + \Omega_7^2 + \Omega_8^2). \quad (2.26)$$

Što se tiče gravitacije ona djeluje u suprotnom smjeru u odnosu na Z_B os, tako da se može izraziti kao:

$$F_G^B = R_A \cdot \begin{bmatrix} 0 \\ 0 \\ -mg \end{bmatrix} = \begin{bmatrix} 1 & 0 & -s_\theta \\ 0 & c_\phi & s_\phi \cdot c_\theta \\ 0 & -s_\phi & c_\phi \cdot c_\theta \end{bmatrix} \cdot \begin{bmatrix} 0 \\ 0 \\ -mg \end{bmatrix} = mg \cdot \begin{bmatrix} s_\theta \\ -s_\phi \cdot c_\theta \\ -c_\phi \cdot c_\theta \end{bmatrix}. \quad (2.27)$$

Nadalje se računaju momenti producirani u ovisnosti o generiranim silama. Razmotrimo momente koji utječu na gibanje oko X osi (kut ϕ). Očito je da u odnosu na smjer rotacije oko X osi motori 3. i 7. nemaju utjecaja, motori 1., 2. i 8. djeluju s pozitivnim predznakom a motori 4., 5. i 6. s negativnim predznakom (slika 2.4), pa se može pisati:

$$\begin{aligned} \tau_x &= M_1 + M_2 + M_8 - M_4 - M_5 - M_6 \\ &= \left(F_1 - F_5 + \frac{\sqrt{2}}{2} \cdot (F_2 + F_8) - \frac{\sqrt{2}}{2} \cdot (F_4 + F_6) \right) \cdot l. \end{aligned} \quad (2.28)$$

Uzimajući u obzir da je $F_i = b \cdot \Omega_i^2$, jednažba (2.28) postaje:

$$\tau_x = \left(\Omega_1^2 - \Omega_5^2 + \frac{\sqrt{2}}{2} \cdot (\Omega_2^2 - \Omega_4^2 - \Omega_6^2 + \Omega_8^2) \right) \cdot b \cdot l. \quad (2.29)$$

Na moment oko Y osi (τ_y) nemaju utjecaja motori 1. i 5., dok motori 6., 7. i 8. utječu s pozitivnim, a 2., 3. i 4. s negativnim predznakom (slika 2.5), tako da je:

$$\begin{aligned} \tau_x &= -M_2 - M_3 - M_4 + M_6 + M_7 + M_8 \\ &= \left(-F_3 - \frac{\sqrt{2}}{2} \cdot (F_2 + F_4) + F_7 + \frac{\sqrt{2}}{2} \cdot (F_6 + F_8) \right) \cdot l. \end{aligned} \quad (2.30)$$

Analogno kao u slučaju rotacije oko X osi, jednažba (2.30) za rotaciju oko Y osi (uzimajući u obzir $F_i = b \cdot \Omega_i^2$) glasi:

$$\tau_y = \left(-\Omega_3^2 + \Omega_7^2 + \frac{\sqrt{2}}{2} \cdot (-\Omega_2^2 - \Omega_4^2 + \Omega_6^2 + \Omega_8^2) \right) \cdot b \cdot l. \quad (2.31)$$

Što se tiče momenta oko Z osi, on je (shodno III. Newtonovu zakonu) suprotnog predznaka od smjera vrtnje motora (slika 2.6), a proporcionalan je kvadratu brzine, tj. $\tau_i = d \cdot \Omega_i^2$, $d > 0$, odnosno:

$$\begin{aligned} \tau_z &= -\tau_1 + \tau_2 - \tau_3 + \tau_4 - \tau_5 + \tau_6 - \tau_7 + \tau_8 \\ &= d \cdot (-\Omega_1^2 + \Omega_2^2 - \Omega_3^2 + \Omega_4^2 - \Omega_5^2 + \Omega_6^2 - \Omega_7^2 + \Omega_8^2). \end{aligned} \quad (2.32)$$

Ako se kao upravljačke varijable odaberu sile vertikalnog podizanja i sile zakreta oko X , Y i Z osi, tada imamo:

$$\begin{aligned} T &= b \cdot (\Omega_1^2 + \Omega_2^2 + \Omega_3^2 + \Omega_4^2 + \Omega_5^2 + \Omega_6^2 + \Omega_7^2 + \Omega_8^2) \\ \tau_x &= \left(\Omega_1^2 + \frac{\sqrt{2}}{2} \cdot \Omega_2^2 - \frac{\sqrt{2}}{2} \cdot \Omega_4^2 - \Omega_5^2 - \frac{\sqrt{2}}{2} \cdot \Omega_6^2 + \frac{\sqrt{2}}{2} \cdot \Omega_8^2 \right) \cdot bl \\ \tau_y &= \left(-\frac{\sqrt{2}}{2} \cdot \Omega_2^2 - \Omega_3^2 - \frac{\sqrt{2}}{2} \cdot \Omega_4^2 + \frac{\sqrt{2}}{2} \cdot \Omega_6^2 + \Omega_7^2 + \frac{\sqrt{2}}{2} \cdot \Omega_8^2 \right) \cdot bl \\ \tau_z &= d \cdot (-\Omega_1^2 + \Omega_2^2 - \Omega_3^2 + \Omega_4^2 - \Omega_5^2 + \Omega_6^2 - \Omega_7^2 + \Omega_8^2) \end{aligned} \quad (2.33)$$

odnosno:

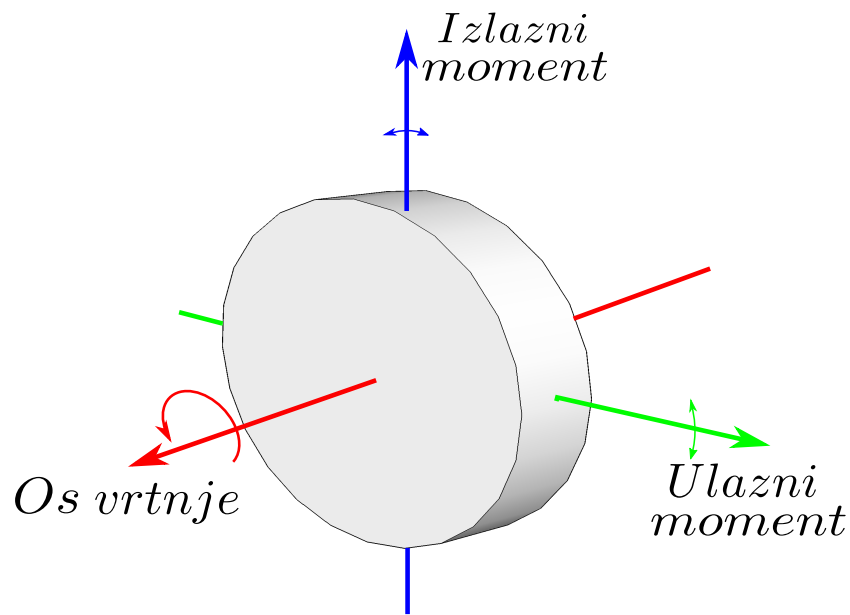
$$U = A \cdot \Omega$$

$$= \begin{bmatrix} b & b & b & b & b & b & b & b \\ bl & \frac{\sqrt{2}}{2}bl & 0 & -\frac{\sqrt{2}}{2}bl & -bl & -\frac{\sqrt{2}}{2}bl & 0 & \frac{\sqrt{2}}{2}bl \\ 0 & -\frac{\sqrt{2}}{2}bl & -bl & -\frac{\sqrt{2}}{2}bl & 0 & \frac{\sqrt{2}}{2}bl & bl & \frac{\sqrt{2}}{2}bl \\ -d & d & -d & d & -d & d & -d & d \end{bmatrix} \cdot \begin{bmatrix} \Omega_1^2 \\ \Omega_2^2 \\ \Omega_3^2 \\ \Omega_4^2 \\ \Omega_5^2 \\ \Omega_6^2 \\ \Omega_7^2 \\ \Omega_8^2 \end{bmatrix}. \quad (2.34)$$

Budući da u sustavu oktokoptera egzistira osam propelera, od kojih se četiri vrte u pozitivnom a četiri u negativnom smjeru, dolazi do situacija kada ukupni zbroj brzina nije uravnotežen, tj. algebarski zbroj brzina vrtnje rotora nije jednak nuli, pa se pojavljuje žiroskopski utjecaj (smetnja):

$$W_G = -\Omega_1 + \Omega_2 - \Omega_3 + \Omega_4 - \Omega_5 + \Omega_6 - \Omega_7 + \Omega_8. \quad (2.35)$$

Žiroskopski utjecaj nastaje kao posljedica postojanja rotacije oko jedne osi, te kada se na objekt u gibanju narine moment koji je okomit na ravninu rotacije (ulazni moment), jer on tvori pokret precesije (izlazni moment) okomit na obje ravnine rotirajućeg tijela (ravninu rotacije i ravninu ulaznog momenta, slika 2.11). Prema tom načelu, moment oko X osi generira moment oko Y osi i obrnuto. Žiroskopski utjecaj proporcionalan je razlici između brzine motora koji rotira u pozitivnom smjeru i brzine motora koji rotira u suprotnom smjeru, jer oni tvore dva suprotna momenta koji se poništavaju [49]:



Slika 2.11 – Žiroskopski utjecaj.

$$M_G = \omega \times \left(J_G \cdot \begin{bmatrix} 0 \\ 0 \\ (-1)^i \cdot \Omega_i \end{bmatrix} \right) = \omega \times \begin{bmatrix} I_{XXm} & 0 & 0 \\ 0 & I_{YYm} & 0 \\ 0 & 0 & I_{ZZm} \end{bmatrix} \cdot \begin{bmatrix} 0 \\ 0 \\ (-1)^i \cdot \Omega_i \end{bmatrix} \quad (2.36)$$

gdje je:

$M_G \rightarrow$ izlazni moment,

$\omega \rightarrow$ kutna brzina rotirajućeg sustava,

$J_G \rightarrow$ inercija motora,

$\Omega \rightarrow$ brzina vrtnje motora s propelerom.

Budući da je $\omega = \begin{bmatrix} P & Q & R \end{bmatrix}^T$, te kako se u razmatranom slučaju radi o oktokopteru, tj. $i = 8$, ($W_G = (-1)^i \cdot \Omega_i$), jednadžba (2.36) može se zapisati kao:

$$M_G = \begin{bmatrix} P \\ Q \\ R \end{bmatrix} \times \begin{bmatrix} 0 \\ 0 \\ I_{ZZm} \cdot W_G \end{bmatrix}. \quad (2.37)$$

Ako se iskoristi kososimetrični operator (*engl.* skew-symmetric) $S(\cdot)$ pomoću kojega se proizvoljan trodimnezionalni vektor $a = [a_1 \quad a_2 \quad a_3]^T$ može prikazati kao kososimetrična matrica [50]:

$$S(a) = -S^T(a) = \begin{bmatrix} 0 & -a_3 & a_2 \\ a_3 & 0 & -a_1 \\ -a_2 & a_1 & 0 \end{bmatrix} \quad (2.38)$$

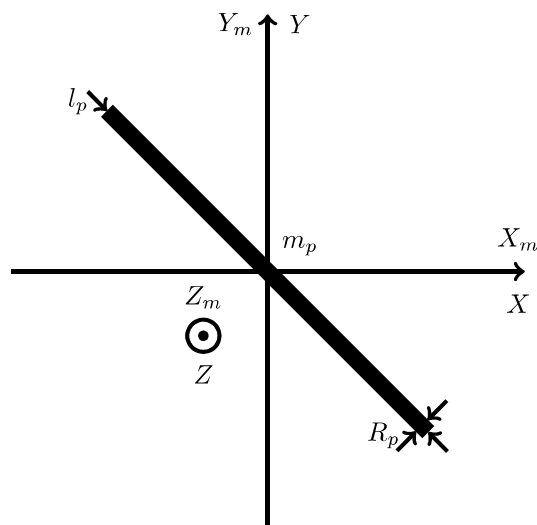
tada se vektorski umnožak (u 2.37) može svesti na umnožak matrica, pa se izraz (2.37) može pisati u sljedećem obliku:

$$M_G = \begin{bmatrix} 0 & R & -Q \\ -R & 0 & P \\ Q & -P & 0 \end{bmatrix} \cdot \begin{bmatrix} 0 \\ 0 \\ I_{ZZm} \cdot W_G \end{bmatrix} = \begin{bmatrix} Q \cdot I_{ZZm} \cdot W_G \\ -P \cdot I_{ZZm} \cdot W_G \\ 0 \end{bmatrix}. \quad (2.39)$$

Izraz (2.39) različit je od nule samo u slučaju kada egzistiraju zanošenje i valjanje ili zaošijanje u isto vrijeme, a čak je i u tom slučaju vrlo mali u odnosu na druge članove (generirane sile), tako da se u primjenama žiroskopski utjecaj često zanemaruje.

Preostalo je još odrediti vrijednost komponente I_{zzm} tenzora inercije motora J_G . Za potrebe izračuna, u centar mase svakog motora postavimo koordinatni sustav čije su osi paralelne s osima lokalnog koordinatnog sustava. Označimo li osi proizvoljnog motora s x_m , y_m i z_m ,

možemo izvršiti poravnanje centra mase oktokoptera s centrom mase odabranog motora kao što je prikazano na slici 2.12

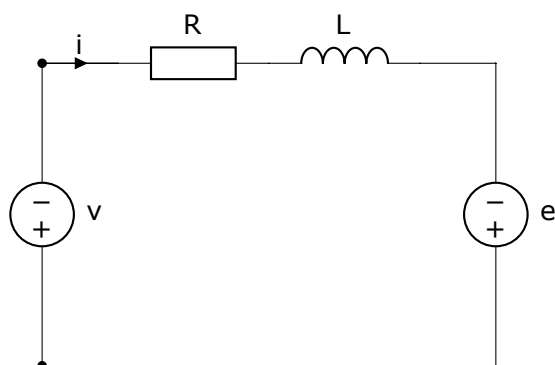


Slika 2.12 – Poravnanje lokalnog koordinatnog sustava s koordinatnim sustavom motora.

Ako se uzme u obzir da je propeler homogeno popunjeni valjak infinitezimalnog promjera $R_p (R_p \rightarrow 0)$, duljine l_p i mase m_p onda se vrijednost komponente I_{ZZ_m} tenzora inercije motora J_G , na osnovu Steinerovog teorema [49], može zapisati u obliku $I_{zz_m} = \frac{m_p l_p^2}{12}$.

2.6 Dinamički model istosmjernog motora

Pogonski aktuator koji se koristi za pogon propelera kod bespilotnih letjelica je uobičajeno istosmjerni motor. Na slici 2.13 predočena je električna shema rotorskog kruga koja se sastoji od naponskog izvora v koji je spojen na rotorske namote (čija je otpornost R i induktivitet L) i elektromotorne sile e koja se inducira u rotorskim namotima kao posljedica Faraday-Lenzova zakona. Prema II. Kirchoffovu zakonu vrijedi:



Slika 2.13 – Električna shema rotorskog kruga.

$$v = Ri + L \frac{di}{dt} + e, \quad (2.40)$$

gdje je inducirana elektromotorna sila data s $e = K_e \Omega$, K_e predstavlja tzv. električnu konstantu motora izraženu u $\frac{Vs}{rad}$ i Ω je brzina vrtnje motora izražena u $\frac{rad}{s}$. Konstrukcija je novijih istosmjernih motora takva da su induktivni gubici zanemarivi, pa prethodnu diferencijalnu jednadžbu možemo aproksimirati algebarskom jednadžbom:

$$v = Ri + K_e \Omega. \quad (2.41)$$

S obzirom na to da dolazi do rotacijskog gibanja rotorskih namota motora možemo prema II. Newtonovu zakonu [46] opisati dinamiku gibanja u obliku:

$$J_m \dot{\Omega} = \tau_m - \tau_l, \quad (2.42)$$

gdje je J_m moment inercije motora, $\tau_m = K_m i$ moment koji se producira na osi motora, K_m je tzv. mehanička konstanta motora izražena u $\frac{Nm}{A}$ a τ_l moment tereta kojim je opterećena os motora. Kombiniranjem jednadžbi (2.41) i 2.42 s predhodno definiranim momentom opterećenja τ_m dobivamo sljedeću jednadžbu:

$$J_m \dot{\Omega} + \frac{K_m K_e}{R} \Omega = \frac{K_m}{R} v - \tau_l. \quad (2.43)$$

Kako je napajanje pogonskih motora ograničeno to važi da je $0 \leq v \leq v_{max}$. Smatrat ćemo da svi motori oktokoptera imaju identične vrijednosti parametara J_m , K_m , K_e i R . Uzimajući u obzir sve navedeno dinamika motora oktokoptera opisana je sustavom diferencijalnih jednadžbi:

$$J_m \dot{\Omega}_i + \frac{K_m K_e}{R} \Omega_i = \frac{K_m}{R} v_i - \tau_{li}, \quad i = \overline{1..8}, \quad (2.44)$$

pri čemu je moment opterećenja τ_{li} dan kao

$$\tau_{li} = d \Omega_i^2, \quad i = \overline{1..8}, \quad (2.45)$$

gdje je d ranije spomenuti koeficijent aerodinamike. Još je važno istaknuti da je moment inercije motora J_m zapravo ranije izvedena komponenta I_{zzm} tenzora inercije motora J_g .

2.7 Model oktokoptera

Da bi se sustav oktokoptera mogao simulirati i upravljati neophodno ga je prikazati u formi u kojoj su prikazana sva stanja sustava oktokoptera. Od interesa su sljedeće varijable:

$u, v, w \rightarrow$ linearne brzine (vezane za koordinatni sustav letjelice),

$P, Q, R \rightarrow$ kutne brzine (vezane za koordinatni sustav letjelice),

$\phi, \theta, \psi \rightarrow$ Eulerovi kutovi,

$x, y, z \rightarrow$ pozicija sustava u odnosu na referentni koordinatni sustav.

Razmotrimo ponovno jednadžbu (2.18) [46]. Prvi član u jednadžbi (2.18) predočava ukupno ubrzanje sustava u odnosu na referentni koordinatni sustav. To ubrzanje nastaje pod utjecajem svih sila koje djeluju na sustav u gibanju. U osnovi na sustav djeluju samo dvije sile, gravitacijska sila (opisana s jednadžbom 2.27) i sila podizanja koja je umnožak brzine vrtnje motora (opisana s jednadžbom 2.26), odnosno za ukupnu silu koja djeluje na sustav možemo pisati da je:

$$F = F_G^B + T.$$

Shodno navedenome jednadžba (2.18) može se zapisati kao:

$$\dot{v}_B = -\omega_{L/B} \times v_L + \frac{F_G^B}{m} + \frac{T}{m}. \quad (2.46)$$

Jednadžba (2.46) može se zapisati i u sljedećem obliku:

$$\begin{bmatrix} \dot{u} \\ \dot{v} \\ \dot{w} \end{bmatrix} = - \begin{bmatrix} P \\ Q \\ R \end{bmatrix} \times \begin{bmatrix} u \\ v \\ w \end{bmatrix} + \begin{bmatrix} g \cdot s_\theta \\ -g \cdot c_\theta \cdot s_\phi \\ -g \cdot c_\theta \cdot c_\phi \end{bmatrix} + \frac{1}{m} \begin{bmatrix} F_X \\ F_Y \\ F_Z \end{bmatrix}. \quad (2.47)$$

Ako se u izrazu (2.47) iskoristi kososimetrični operator, te ako se uzme u obzir da u smjeru X i Y osi ne djeluje sila potiska, tj. da ona djeluje samo u smjeru Z osi ($F_X = F_Y = 0$), jednadžba (2.47) može se zapisati u obliku:

$$\begin{bmatrix} \dot{u} \\ \dot{v} \\ \dot{w} \end{bmatrix} = - \begin{bmatrix} 0 & R & -Q \\ -R & 0 & P \\ Q & -P & 0 \end{bmatrix} \cdot \begin{bmatrix} u \\ v \\ w \end{bmatrix} + \begin{bmatrix} g \cdot s_\theta \\ -g \cdot c_\theta \cdot s_\phi \\ -g \cdot c_\theta \cdot c_\phi \end{bmatrix} + \begin{bmatrix} 0 \\ 0 \\ \frac{F_Z}{m} \end{bmatrix}. \quad (2.48)$$

Kako je ukupna sila podizanja (F_Z) koja djeluje u pravcu osi Z , zapravo sila podizanja T , nakon skalarnog umnoška dobiva se:

$$\begin{bmatrix} \dot{u} \\ \dot{v} \\ \dot{w} \end{bmatrix} = \begin{bmatrix} R \cdot v - Q \cdot w \\ P \cdot w - R \cdot u \\ Q \cdot u - P \cdot v \end{bmatrix} + \begin{bmatrix} g \cdot s_\theta \\ -g \cdot c_\theta \cdot s_\phi \\ -g \cdot c_\theta \cdot c_\phi \end{bmatrix} + \begin{bmatrix} 0 \\ 0 \\ \frac{T}{m} \end{bmatrix}. \quad (2.49)$$

Ako jednadžbu (2.21) pomnožimo slijeva s J^{-1} , te uzimajući u obzir da su momenti oko X , Y i Z osi dani kao τ_x , τ_y i τ_z imamo:

$$\dot{\omega}_L = J^{-1} \cdot \{-\omega_{L/B} \times J \cdot \omega_L + \tau\} \quad (2.50)$$

$$\begin{bmatrix} \dot{P} \\ \dot{Q} \\ \dot{R} \end{bmatrix} = J^{-1} \cdot \left\{ \begin{bmatrix} 0 & R & -Q \\ -R & 0 & P \\ Q & -P & 0 \end{bmatrix} \cdot \begin{bmatrix} I_{XX} & 0 & 0 \\ 0 & I_{YY} & 0 \\ 0 & 0 & I_{ZZ} \end{bmatrix} \cdot \begin{bmatrix} P \\ Q \\ R \end{bmatrix} + \begin{bmatrix} \tau_x \\ \tau_y \\ \tau_z \end{bmatrix} \right\} \quad (2.51)$$

$$\begin{bmatrix} \dot{P} \\ \dot{Q} \\ \dot{R} \end{bmatrix} = \begin{bmatrix} I_{XX}^{-1} & 0 & 0 \\ 0 & I_{YY}^{-1} & 0 \\ 0 & 0 & I_{ZZ}^{-1} \end{bmatrix} \cdot \left\{ \begin{bmatrix} (I_{YY} - I_{ZZ}) \cdot QR \\ (I_{ZZ} - I_{XX}) \cdot PR \\ (I_{XX} - I_{YY}) \cdot PQ \end{bmatrix} + \begin{bmatrix} \tau_x \\ \tau_y \\ \tau_z \end{bmatrix} \right\} \quad (2.52)$$

$$= \begin{bmatrix} \frac{I_{YY} - I_{ZZ}}{I_{XX}} \cdot QR \\ \frac{I_{ZZ} - I_{XX}}{I_{YY}} \cdot PR \\ \frac{I_{XX} - I_{YY}}{I_{ZZ}} \cdot PQ \end{bmatrix} + \begin{bmatrix} \frac{\tau_x}{I_{XX}} \\ \frac{\tau_y}{I_{YY}} \\ \frac{\tau_z}{I_{ZZ}} \end{bmatrix}.$$

U jednadžbi (2.14) pokazana je veza između rotacijskih brzina i Eulerovih kutova. Množenjem te jednadžbe slijeva s R_A^{-1} , slijedi da je:

$$\begin{aligned} \dot{\phi} &= P + s_\phi \cdot t_\theta \cdot Q + c_\phi \cdot t_\theta \cdot R \\ \dot{\theta} &= c \cdot Q - s_\phi \cdot R \\ \dot{\psi} &= \frac{s_\phi}{c_\theta} \cdot Q + \frac{c_\phi}{c_\theta} \cdot R \end{aligned} \quad (2.53)$$

Jednadžba (2.53) daje vezu između derivacija Eulerovih kutova i kutnih brzina. Derivacije Eulerovih kutova nemaju izravne veze s dinamikom oktokoptera, ali daju mogućnost da se na osnovi njih izračunaju vrijednosti ϕ, θ, ψ , odnosno da se odredi orijentacija sustava u svakom vremenskom trenutku. Ranije je također prikazana veza između brzina u referentnom i koordinatnom sustavu vezanom za tijelo u pojedinom vremenskom trenutku:

$$\xi = R(\phi, \theta, \psi) \cdot \xi_L$$

$$\begin{bmatrix} \dot{x} \\ \dot{y} \\ \dot{z} \end{bmatrix} = R(\phi, \theta, \psi) \cdot \begin{bmatrix} u \\ v \\ w \end{bmatrix}. \quad (2.54)$$

Sada su definirane sve potrebne jednadžbe koje opisuju stanje sustava koje se mogu zapisati na sljedeći način:

$$\begin{aligned} \dot{x} &= c_\theta \cdot c_\psi \cdot u + (s_\phi \cdot s_\theta \cdot c_\psi - c_\phi \cdot s_\psi) \cdot v + (c_\phi \cdot s_\phi \cdot c_\psi + s_\phi \cdot s_\psi) \cdot w \\ \dot{y} &= c_\theta \cdot s_\psi \cdot u + (s_\phi \cdot s_\theta \cdot s_\psi + c_\phi \cdot c_\psi) \cdot v + (c_\phi \cdot s_\phi \cdot s_\psi - s_\phi \cdot c_\psi) \cdot w \\ \dot{z} &= -s_\theta \cdot u + c_\theta \cdot s_\phi \cdot v + c_\theta \cdot c_\phi \cdot w \\ \dot{u} &= R \cdot v - Q \cdot w + g \cdot s_\theta \\ \dot{v} &= P \cdot w - R \cdot u - g \cdot c_\theta \cdot s_\phi \\ \dot{w} &= Q \cdot u - P \cdot v - g \cdot c_\theta \cdot c_\phi + \frac{T}{m} \\ \dot{P} &= \frac{I_{YY} - I_{ZZ}}{I_{XX}} \cdot Q \cdot R + \frac{\tau_x}{I_{XX}} - \frac{I_{ZZM}}{I_{XX}} \cdot Q \cdot W_G \\ \dot{Q} &= \frac{I_{ZZ} - I_{XX}}{I_{YY}} \cdot P \cdot R + \frac{\tau_y}{I_{YY}} + \frac{I_{ZZM}}{I_{YY}} \cdot P \cdot W_G \\ \dot{R} &= \frac{I_{XX} - I_{YY}}{I_{ZZ}} \cdot P \cdot Q + \frac{\tau_z}{I_{ZZ}} \\ \dot{\phi} &= P + Q \cdot s_\phi \cdot t_\theta + R \cdot c_\phi \cdot t_\theta \\ \dot{\theta} &= Q \cdot c_\phi - R \cdot s_\phi \\ \dot{\psi} &= Q \cdot \frac{s_\phi}{c_\theta} + R \cdot \frac{c_\phi}{c_\theta} \end{aligned} \quad (2.55)$$

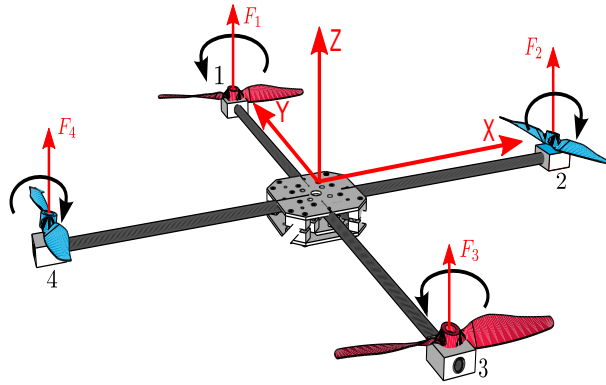
Date Jednadžbe (2.55) omogućavaju simulaciju sustava oktokoptera i daju polaznu osnovu za projektiranje regulatora za upravljanje pozicijom i orijentacijom oktokoptera.

2.8 Opći model višerotorske letjelice

U jednadžbama 2.55 egzistiraju ukupno četiri sile koje generiraju motori s propelerima, radi se o sili uzgona T i tri momenta rotacije sustava oko osi X , Y i Z , τ_x , τ_y i τ_z . Dakle, sila uzgona i momenti rotacije oko osi X , Y i Z upravljačke su varijable kojima upravljamo gibanjem bespilotne letjelice u trodimenzionalnom prostoru. Upravljačke varijable ranije su uvedene i predočene jednadžbom 2.34 ($U = A \cdot \Omega$), po kojoj generiranje upravljačke varijable ovisi o aktuacijskoj matrici A i maksimalno dopuštenoj brzini vrtnje pogonskih motora s propelerom. Način formiranja aktuacijske matrice A ovisi o broju korištenih pogonskih motora s propelerom, geometrijskom rasporedu motora u planarnoj konfiguraciji te o smjeru u kojem se vrti svaki pojedinačni motor. Kao primjer, razmotrimo bespilotnu letjelicu s četiri pogonska motora (kvadkopter) predočen na slici 2.14. Kao što se može uočiti sa slike 2.14 za ishodište lokalnog koordinatnog sustava odabran je centar mase kvadkoptera, gdje pozitivan smjer X osi leži na pravcu koji tvore motori 4. i 2. (u smjeru od motora 4. prema motoru 2.), Y osi na pravcu kojeg tvore motori 3. i 1. (u smjeru od motora 3. prema motoru 1.), dok je Z os usmjerena prema gore, dobiva se + struktura quadkoptera s PNPN smjerom vrtnje motora (P-pozitivan, N-negativan). Pogonski motori s propelerom međusobno su razmaknuti za kut od 90 stupnjeva, pa tako motori 1. i 3. leže na pravcu X osi a motori 2. i 4. na pravcu Y osi. Zbog ovoga motori 1. i 3. utječu na rotaciju oko X osi, a nemaju utjecaj na rotaciju oko Y osi, a nasuprot tome motori 2. i 4. utječu na rotaciju oko Y osi, ali nemaju utjecaj na rotaciju oko X osi. Vrtnja motora 1. i 3. u smjeru je suprotnom od kazaljke na satu, dok je vrtnja motora 2. i 4. u smjeru kazaljke na satu. Imajući u vidu sve navedeno, aktuacijska matrica za slučaj kvadkoptera ima sljedeći oblik:

$$A = \begin{bmatrix} b & b & b & b \\ bl & 0 & -bl & 0 \\ 0 & -bl & 0 & bl \\ -d & d & -d & d \end{bmatrix}. \quad (2.56)$$

Za slučaj kvadkoptera koji ima istu geometriju kao na slici 2.14 (+ strukturu) ali kod kojeg je smjer vrtnje pogonskih motora s propelerima takav da se motori 1. i 3. vrte u smjeru kazaljke na satu, a motori 2. i 4. u smjeru suprotnom od kazaljke na satu (smjer vrtnje pogonskih motora s propelerima odabran kao NPNP) aktuacijska matrica bi imala sljedeći oblik:

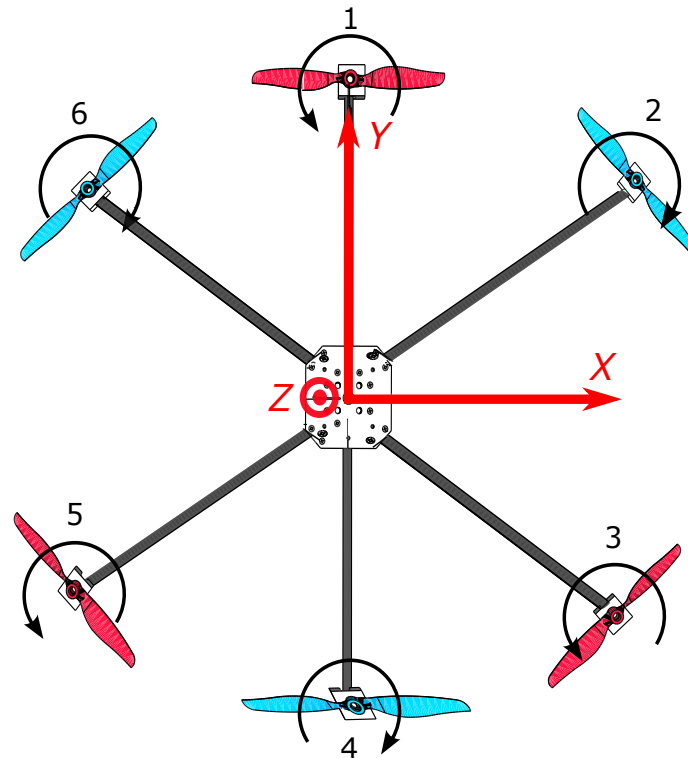


Slika 2.14 – Generinare sile i momenti na sustavu kvadrokoptera.

$$A = \begin{bmatrix} b & b & b & b \\ bl & 0 & -bl & 0 \\ 0 & -bl & 0 & bl \\ d & -d & d & -d \end{bmatrix}. \quad (2.57)$$

Za slučaj da razmatramo sustav koji ima šest pogonskih motora (slika 2.15), pri čemu su pogonski motori s propelerima uzajamno razmaknuti za kut od 60 stupnjeva, počevši od motora označenog brojem 1., dobiva se + struktura heksakoptera. Ako je za ishodište lokalnog koordinatnog sustava odabran centar mase heksakoptera, gdje pozitivan smjer X osi leži na pravcu koji leži na simetrali kuta između motora 2. i 4. odnosno 5. i 6. (u smjeru od motora 5. i 6. prema motorima 2. i 4.), Y osi na pravcu kojeg tvore motori 4. i 1. (u smjeru od motora 4. prema motoru 1.), dok je Z os usmjerena prema gore, dobiva se + struktura heksakoptera s PNPNPN smjerom vrtnje motora (P-pozitivan, N-negativan). Kako su pogonski motori s propelerom međusobno razmaknuti za kut od 60 stupnjeva, motori 1. i 4. leže na pravcu Y osi. Zbog toga motori 1. i 4. utječu na rotaciju oko X osi, a nemaju utjecaj na rotaciju oko Y osi, dok ostali motori imaju utjecaj na rotaciju oko X i Y osi. Vrtnja motora 1., 3. i 5. je u smjeru suprotnom od kazaljke na satu, dok je vrtnja motora 2., 4. i 6. u smjeru kazaljke na satu. Imajući u vidu sve navedeno, aktuacijska matrica za slučaj heksakoptera ima sljedeći oblik:

$$A = \begin{bmatrix} b & b & b & b & b & b \\ bl & \frac{bl}{2} & -\frac{bl}{2} & -bl & -\frac{bl}{2} & \frac{bl}{2} \\ 0 & -\frac{\sqrt{3}}{2}bl & -\frac{\sqrt{3}}{2}bl & 0 & \frac{\sqrt{3}}{2}bl & \frac{\sqrt{3}}{2}bl \\ -d & d & -d & d & -d & d \end{bmatrix}. \quad (2.58)$$



Slika 2.15 – Prikaz heksakoptera sa smjerovima vrtnje pogonskih motora s propelerima.

Opisana konfiguracija se u literaturi naziva klasičnom + arhitekturom heksakoptera kod koje motori naizmjenično mijenjaju smjer vrtnje. Također, postoji zamjenska + arhitektura heksakoptera koja ima strukturu kao na slici 2.15 ali se od nje razlikuje u tome što se pogonski motori s propelerima vrte tako da se motori 1., 2. i 5. vrte u smjeru suprotnom od kazaljke na satu, a motori 3., 4. i 6. u smjeru kazaljke na satu (smjer vrtnje pogonskih motora s propelerima odabran kao PPNNPN). Tada je aktucijska matrica dana s jednadžbom:

$$A = \begin{bmatrix} b & b & b & b & b & b \\ bl & \frac{bl}{2} & -\frac{bl}{2} & -bl & -\frac{bl}{2} & \frac{bl}{2} \\ 0 & -\frac{\sqrt{3}}{2}bl & -\frac{\sqrt{3}}{2}bl & 0 & \frac{\sqrt{3}}{2}bl & \frac{\sqrt{3}}{2}bl \\ -d & -d & d & d & -d & d \end{bmatrix}. \quad (2.59)$$

Klasična + arhitektura oktokoptera (koja je modelirana u ovom poglavlju) predložena je slikom 2.1 a njena aktucijska matrica dana je jednadžbom 2.60

$$A = \begin{bmatrix} b & b & b & b & b & b & b & b \\ bl & \frac{\sqrt{2}}{2}bl & 0 & -\frac{\sqrt{2}}{2}bl & -bl & -\frac{\sqrt{2}}{2}bl & 0 & \frac{\sqrt{2}}{2}bl \\ 0 & -\frac{\sqrt{2}}{2}bl & -bl & -\frac{\sqrt{2}}{2}bl & 0 & \frac{\sqrt{2}}{2}bl & bl & \frac{\sqrt{2}}{2}bl \\ -d & d & -d & d & -d & d & -d & d \end{bmatrix}. \quad (2.60)$$

Također, kao u slučaju heksakoptera postoji zamjenska + arhitektura oktokoptera koja ima strukturu kao na slici 2.1, ali se od nje razlikuje u tome što se pogonski motori s propelerima vrte tako da se motori 1., 2., 5. i 6. vrte u smjeru suprotnom od kazaljke na satu a motori 3., 4., 7. i 8. u smjeru kazaljke na satu (smjer vrtnje pogonskih motora s propelerima odabran kao PPNNPPNN), tada je aktuacijska matrica predstavljena jednadžbom 2.61:

$$A = \begin{bmatrix} b & b & b & b & b & b & b & b \\ bl & \frac{\sqrt{2}}{2}bl & 0 & -\frac{\sqrt{2}}{2}bl & -bl & -\frac{\sqrt{2}}{2}bl & 0 & \frac{\sqrt{2}}{2}bl \\ 0 & -\frac{\sqrt{2}}{2}bl & -bl & -\frac{\sqrt{2}}{2}bl & 0 & \frac{\sqrt{2}}{2}bl & bl & \frac{\sqrt{2}}{2}bl \\ -d & -d & d & d & -d & -d & d & d \end{bmatrix}. \quad (2.61)$$

Ako se promatraju dobivene aktuacijske matrice može se uočiti zakonitost formiranja pojedinih članova aktuacijske matrice, odnosno može se odrediti aktuacijska matrica za proizvoljnu simetričnu strukturu bespilotne letjelice koja ima $2N$ sve pogonskih motora postavljeni u planarnoj konfiguraciji ($N = 2$ tvori kvadkopter, $N = 3$ tvori heksakopter, $N = 4$ tvori oktokopter itd.). Ako prvi pogonski motor leži na pravcu Y osi, a svi sljedeći pogonski motori međusobno su razmaknuti za kut od $\frac{360}{2N}$. Redni broj motora dodaje se u smjeru kazaljke na satu. Ako se još smjer vrtnje motora mijenja naizmjenično, aktuacijska matrica bi u općem slučaju glasila:

$$A = \begin{bmatrix} b & b & \dots & b & b \\ bl \cdot \cos\left(\frac{360}{2N} \cdot k_1\right) & bl \cdot \cos\left(\frac{360}{2N} \cdot k_2\right) & \dots & bl \cdot \cos\left(\frac{360}{2N} \cdot k_{i-2}\right) & bl \cdot \cos\left(\frac{360}{2N} \cdot k_{i-1}\right) \\ -bl \cdot \sin\left(\frac{360}{2N} \cdot k_1\right) & -bl \cdot \sin\left(\frac{360}{2N} \cdot k_2\right) & \dots & -bl \cdot \sin\left(\frac{360}{2N} \cdot k_{i-2}\right) & -bl \cdot \sin\left(\frac{360}{2N} \cdot k_{i-1}\right) \\ -d & d & \dots & -d & d \end{bmatrix}. \quad (2.62)$$

gdje je $k_i = i - 1$, $i = 1, \dots, 2N$. Za slučaj da pogonski motori imaju drugačiji smjer vrtnje nego pretpostavljeni tada bi u četvrtom redu koeficijenti d bi bili množeni s 1 ako je smjer vrtnje

negativan, a s (-1) ako je smjer vrtnje pozitivan.

2.9 Zaključak

U ovom je poglavlju razvijen opći matematički model sustava višerotorske letjelice s obzirom na njezinu geometriju s parnim brojem rotora te je pokazano kako izvedba letjelice (broj rotora, duljina krakova, smjer vrtnje svakog pojedinačnog rotora) utječe na dobivanje aktuacijske matrice sustava, preko koje se zapravo provodi upravljanje cjelokupnim sustavom bespilotne letjelice. Da bi se višerotorskom letjelicom moglo upravljati neophodno je razviti osnovni tip regulatora za praćenje pojedinačnih koordinata u trodimenzionalnom prostoru, odnosno neophodno je razviti regulatore za praćenje x , y , i z koordinata kao i kutova ϕ , θ i ψ . Također je neophodno utvrditi kako svaki pojedinačni pogonski motor s propelerom, s obzirom na odabranu geometriju, utječe na upravljanje i stabilnost cjelokupnog sustava višerotorske letjelice, što se obrađuje u sljedećim poglavljima.

Poglavlje 3

Upravljačka arhitektura za praćenje referentnih trajektorija

U ovom poglavlju opisana je korištena upravljačka arhitektura za praćenje referentnih trajektorija, koja se sastoji od regulatora pozicije, regulatora zakreta, upravljačke alokacije te regulatora brzine vrtnje motora. Za potrebe projektiranja regulatora linearizan je nelinearni matematički modele višerotorske letjelice u okolini ravnotežnog stanja te su projektirani regulatori koji omogućuju zadovoljavajuće praćenje referentnih trajektorija.

3.1 Pregled stanja postojećih regulatora za upravljanje bespilotnim letjelicama

Prvi regulatori koji su projektirani za upravljanje bespilotnom letjelicom potječu iz ranije spomenute doktorske disertacije Samira Bouabdallaha [20] u okviru koje je razvijena prva potpuno autonomna kvadrotorska letjelica. Projektiran je jednostavni stabilizacijski PID regulator te je pokazano da je moguće izvršiti stabilizaciju orijentacije (model laboratorijske letjelice je bio vezan za 3DOF zglob). Na temelju rezultata u disertaciji autor je u radu [51] napravio usporedbu PID regulatora s adaptivnim linearnim kvadratnim regulatorom te pokazao da PID regulator daje bolje performanse. U nastavku svoga rada na projektiranju regulatora za upravljanje bespilotnom letjelicom projektirao je regulator temeljen na "backstepping" metodi te regulator temeljen na kliznom režimu [52]. Kao rezultat nastavka istraživanja pokazao je da regulator temeljen na kliznom režimu ima lošije performanse od regulatora temeljenog na backstepping metodi, što je dijelom posljedica korištenja prekidačkog režima koji je unosio dodatne oscilacije na upravljanje bespilotnom letjelicom.

Nakon navedenih početnih radova, dosta su zapaženi radovi koji su nastali suradnjom autora Robert Mahonyja, Vijaya Kumara i Petera Corkea, koji su dali dobre osnove za daljnje istraživanje

na upravljanju bespilotnim letjelicama. Rezultati suradnje navedenih autora validirani su kako u simulacijskom okruženju tako i na stvarnim letjelicama. Navedimo samo neke od rezultata koji su nastali na temelju ove suradnje. U radu [53] prezentirani su rezultati praćenja referentne trajektorije u laboratorijski kontroliranim uvjetima, dok su u radovima [54], [55] rezultati potvrđeni eksperimentalno u unutarnjem i u vanjskom prostoru. Nakon dobivenih početnih rezultata u stvarnom vanjskom okruženju konstruirani su i regulatori koji su bili sposobni upravljati sustavom bespilotne letjelice u okruženju u kome su bile prisutne prepreke te su pri tome letjelice bile u stanju izvoditi dosta zahtjevne manevre [56] i [57]. Projektiranje regulatora za višerotske letjelice prilično je napredovao od prvih radova, tako u radovima autora Marka W. Muellera i Raffaella D'Andrea možemo uočiti da se pomoću višerotskih letjelica mogu izvoditi dosta agresivni manevri [58]. Primjerice, u radu [59] kvadkopter je opremljen teniskim reketom te se je s pomoću 8 kamera u kontroliranom okruženju mjerilo i predviđalo gibanje teniske loptice što je omogućilo planiranje trajektorije u stvarnom vremenu da bi kvadkopter mogao na vrijeme postaviti reket na putanju nadolazeće teniske loptice. U radovima istih autora pokazano je kako se letjelice mogu međusobno koordinirati radi izvršavanja složenih zadataka [60], dok je u radu [61] pokazano da se letjelicom može upravljati i u slučaju oštećenja jednog ili više rotora.

U nastavku poglavlja projektirat ćemo regulator za praćenje referentne trajektorije koji se temelji na upravljačkoj arhitekturi iz rada [57] i jednostavnom PD zakonu upravljanja koji vrijedi u okolini ravnotežnog stanja. Bez obzira na jednostavnost upravljačkog zakona pokazat ćemo da je projektirani regulator u stanju pratiti prilično složene referentne trajektorije.

3.2 Projektiranje regulatora brzine vrtnje motora

Dinamika proizvoljnog motora oktokoptera opisana je diferencijalnom jednačbom

$$I_{zzm}\dot{\Omega} + \frac{K_m K_e}{R}\Omega = \frac{K_m}{R}v - \tau_l, \quad (3.1)$$

gdje je ulazna veličina napon rotorskog kruga v , izlazna veličina brzina vrtnje motora Ω , a smetnja aerodinamički moment opterećenja koji djeluje na osovinu τ_l dan kao

$$\tau_{li} = d\Omega^2. \quad (3.2)$$

U [57] opisan je pristup upravljanju brzinom vrtnje motora koji je inherentno otporan na promjene napona napajanja motora. Isti koristi upravljački zakon oblika

$$v^{\text{des}} = K_{\Omega}(\Omega_{\text{ref}} - \Omega) + v_{\text{ff}}(\Omega_{\text{ref}}), \quad (3.3)$$

gdje je Ω_{ref} referentna brzina vrtnje, $K_{\Omega} > 0$ pojačanje P regulatora, a $v_{\text{ff}}(\Omega_{\text{ref}})$ predupravljački član koji kompenzira aerodinamički moment opterećenja τ_l koji se razvija pri brzini vrtnje

Ω_{ref} . Predupravljački se član najčešće određuje eksperimentalno tako da se izmjeri statička karakteristika momenta opterećenja rotora. Ista se u obliku tablice spremi u memoriju regulatora ili se aproksimira odgovarajućim parametarskim modelom. Međutim, radi jednostavnije simulacije izvesti ćemo eksplisitni oblik ovoga člana polazeći od pretpostavke da je motor postigao referentnu brzinu Ω_{ref} , kada diferencijalna jednačba (3.1) postaje algebarskom jednačbom oblika

$$\frac{K_m K_e}{R} \Omega = \frac{K_m}{R} v - \tau_l. \quad (3.4)$$

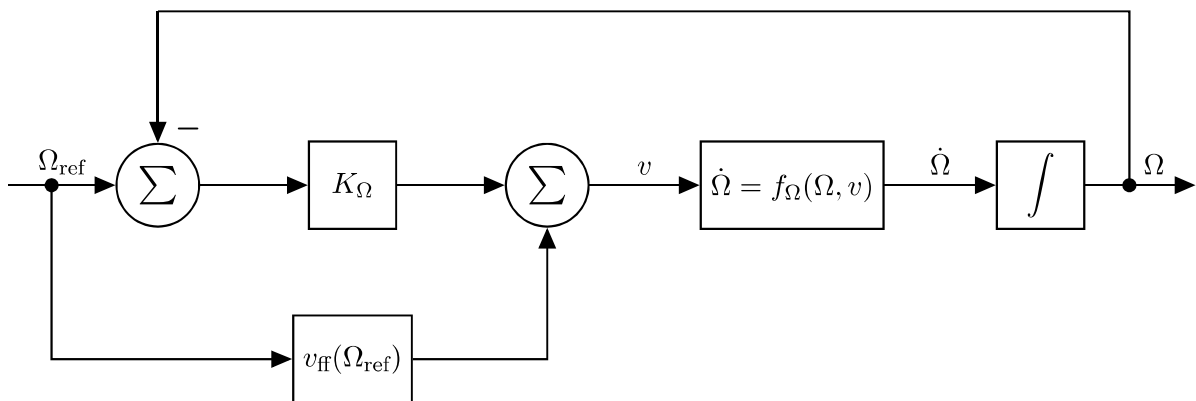
uvrštanjem momenta inercije iz (3.2) u jednačbu 3.4 te rješavajući je po v dobivamo konačno feedforward član oblika

$$v_{\text{ff}}(\Omega_{\text{ref}}) = K_e \Omega_{\text{ref}} + \frac{Rd}{K_m} \Omega_{\text{ref}}^2 \quad (3.5)$$

Ako diferencijalnu jednačbu (3.1) napišemo u obliku

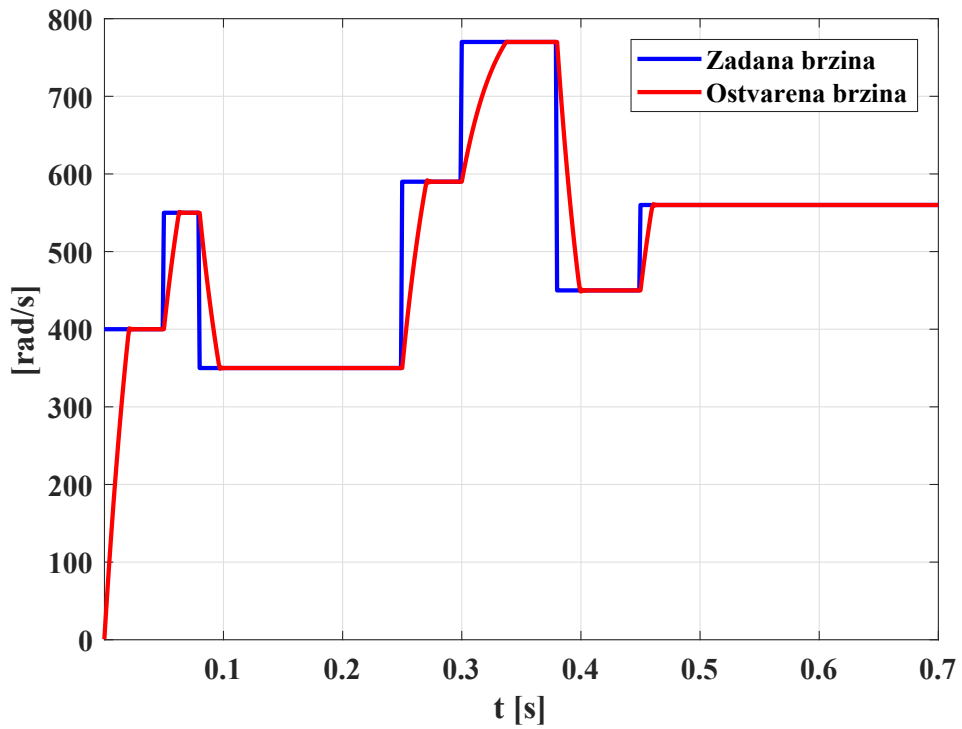
$$\dot{\Omega} = -\frac{K_m K_e}{I_{zzm} R} \Omega + \frac{K_m}{I_{zzm} R} v - \frac{\tau_l}{I_{zzm}} = f_{\Omega}(\Omega, v), \quad (3.6)$$

projektirani regulator brzine vrtnje možemo prikazati blokovskom shemom kao na slici 3.1.

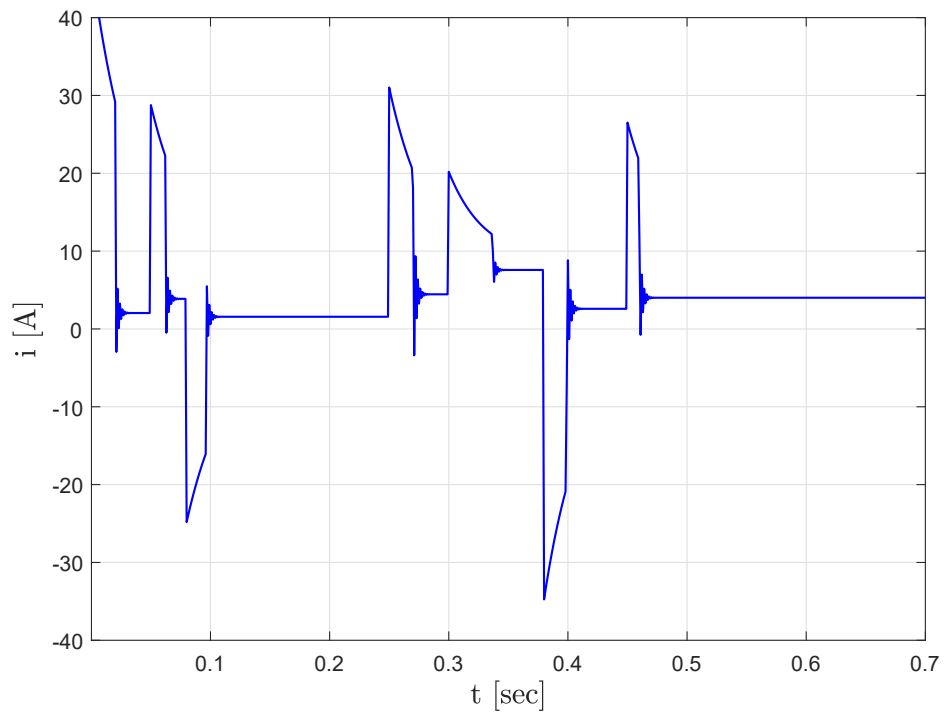


Slika 3.1 – Blokovska shema regulatora brzine vrtnje motora.

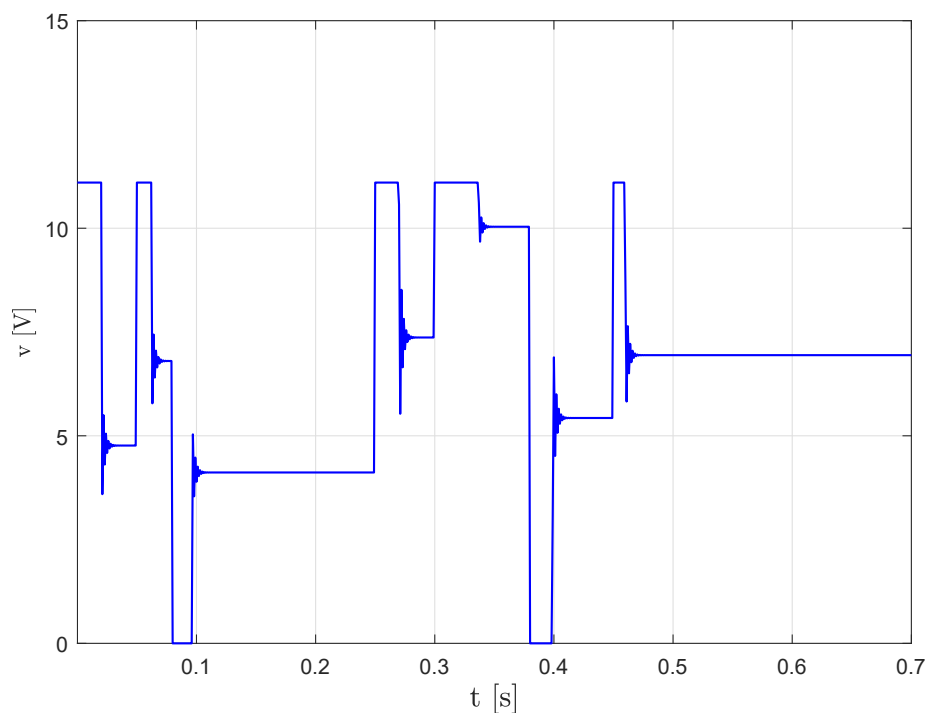
Na slici 3.2 predočen je odziv regulatora brzine vrtnje na složenu periodičku harmonijsku pobudu. Sa slike vidimo da regulator dobro prati referentnu brzinu, s tim da je vrijeme smirenja veće ako je referentna brzina bliža maksimalnoj vrijednosti uslijed izraženijeg utjecaja zasićenja. Pojačanje regulatora $K_{\Omega} = 2$ odabrano je empirijski tako da se minimiziraju oscilacije u električnim veličinama motora što je predočeno na slikama 3.3 i 3.4.



Slika 3.2 – Praćenje referentne brzine vrtnje motora.



Slika 3.3 – Struja na namotima motora prilikom odziva na složenu periodičku harmonijsku pobudu.



Slika 3.4 – Napon na namotima motora prilikom odziva na složenu periodičku harmonijsku pobudu.

Manje oscilacije povlače manje trošenje motora čime se produžuje njegov životni vijek. Ovaj je regulator neophodno vektorizirati, ako ga želimo koristiti na oktokopteru. Definirajmo vektor brzina motora

$$\Omega = \left[\Omega_1 \quad \Omega_2 \quad \Omega_3 \quad \Omega_4 \quad \Omega_5 \quad \Omega_6 \quad \Omega_7 \quad \Omega_8 \right]^T, \quad (3.7)$$

vektor referentnih brzina

$$\Omega_{\text{ref}} = \left[\Omega_{\text{ref},1} \quad \Omega_{\text{ref},2} \quad \Omega_{\text{ref},3} \quad \Omega_{\text{ref},4} \quad \Omega_{\text{ref},5} \quad \Omega_{\text{ref},6} \quad \Omega_{\text{ref},7} \quad \Omega_{\text{ref},8} \right]^T, \quad (3.8)$$

vektor upravljačkih ulaza

$$v = \left[v_1 \quad v_2 \quad v_3 \quad v_4 \quad v_5 \quad v_6 \quad v_7 \quad v_8 \right]^T, \quad (3.9)$$

i vektorsku funkciju za predupravljački član upravljanja

$$v_{\text{ff}}(\Omega_{\text{ref}}) = \begin{bmatrix} v_{\text{ff}}(\Omega_{\text{ref},1}) \\ v_{\text{ff}}(\Omega_{\text{ref},2}) \\ v_{\text{ff}}(\Omega_{\text{ref},3}) \\ v_{\text{ff}}(\Omega_{\text{ref},4}) \\ v_{\text{ff}}(\Omega_{\text{ref},5}) \\ v_{\text{ff}}(\Omega_{\text{ref},6}) \\ v_{\text{ff}}(\Omega_{\text{ref},7}) \\ v_{\text{ff}}(\Omega_{\text{ref},8}) \end{bmatrix}. \quad (3.10)$$

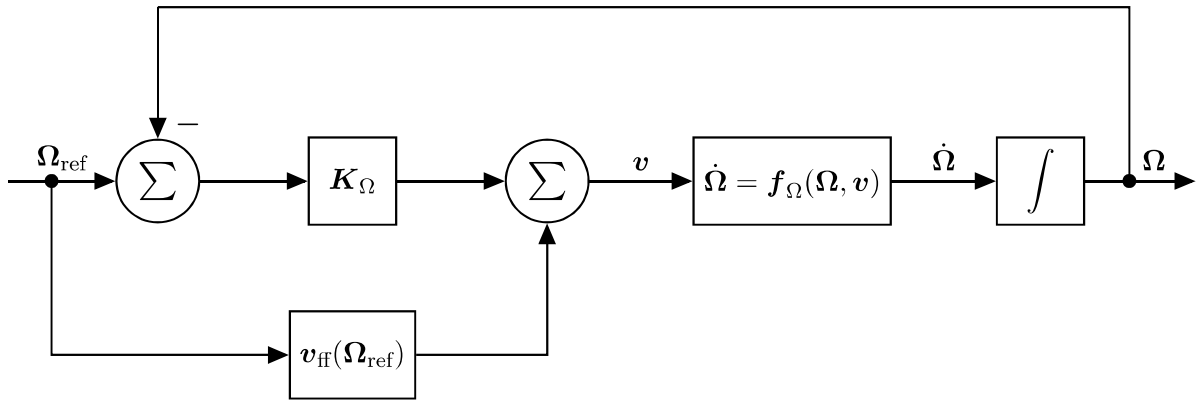
Tada regulator možemo poopćiti na oblik

$$v^{\text{des}} = K_{\Omega} (\Omega_{\text{ref}} - \Omega) + v_{\text{ff}}(\Omega_{\text{ref}}), \quad (3.11)$$

gdje je K_{Ω} dijagonalna matrica dana kao $K_{\Omega} = K_{\Omega} I_{8 \times 8}$. Ako definiramo vektorsku funkciju dinamičkog modela motora kao

$$f_{\Omega}(\Omega, v) = \begin{bmatrix} \dot{\Omega}_1 \\ \dot{\Omega}_2 \\ \dot{\Omega}_3 \\ \dot{\Omega}_4 \\ \dot{\Omega}_5 \\ \dot{\Omega}_6 \\ \dot{\Omega}_7 \\ \dot{\Omega}_8 \end{bmatrix} = \begin{bmatrix} f_{\Omega}(\Omega_1, v_1) \\ f_{\Omega}(\Omega_2, v_2) \\ f_{\Omega}(\Omega_3, v_3) \\ f_{\Omega}(\Omega_4, v_4) \\ f_{\Omega}(\Omega_5, v_5) \\ f_{\Omega}(\Omega_6, v_6) \\ f_{\Omega}(\Omega_7, v_7) \\ f_{\Omega}(\Omega_8, v_8) \end{bmatrix}, \quad (3.12)$$

tada vektorizirani regulator brzine vrtnje možemo predočiti preko blokovske sheme na slici 3.5.



Slika 3.5 – Blokovska shema vektoriziranog regulatora brzine vrtnje motora.

3.3 Projektiranje algoritma upravljačke alokacije

Na osnovi veze virtualnih upravljačkih ulaza i brzina vrtnje motora dane relacijom (2.33) možemo aktuaciju sustava predočiti matricnom jednažbom

$$u = A\Omega_s, \quad (3.13)$$

gdje je u vektor virtualnih upravljačkih signala sustava oblika

$$u = \begin{bmatrix} T & \tau \end{bmatrix}^T = \begin{bmatrix} T & \tau_x & \tau_y & \tau_z \end{bmatrix}^T, \quad (3.14)$$

A je aktuatorska matrica oblika

$$A = \begin{bmatrix} b & b & b & b & b & b & b & b \\ bl & \frac{\sqrt{2}}{2}bl & 0 & -\frac{\sqrt{2}}{2}bl & -bl & -\frac{\sqrt{2}}{2}bl & 0 & \frac{\sqrt{2}}{2}bl \\ 0 & -\frac{\sqrt{2}}{2}bl & -bl & -\frac{\sqrt{2}}{2}bl & 0 & \frac{\sqrt{2}}{2}bl & bl & \frac{\sqrt{2}}{2}bl \\ -d & d & -d & d & -d & d & -d & d \end{bmatrix}, \quad (3.15)$$

a Ω_s je vektor kvadrata kutnih brzina motora

$$\Omega_s = \left[\Omega_1^2 \quad \Omega_2^2 \quad \Omega_3^2 \quad \Omega_4^2 \quad \Omega_5^2 \quad \Omega_6^2 \quad \Omega_7^2 \quad \Omega_8^2 \right]^T. \quad (3.16)$$

S obzirom da je $\Omega_s \in D_{\Omega_s} \subset \mathbb{R}^8$ i da je $u \in D_u \subset \mathbb{R}^4$ preslikavanje $D_{\Omega_s} \mapsto D_u$, definirano relacijom (3.13) je surjektivno, tj. za $\forall u \in D_u \exists \Omega_s \in D_{\Omega_s}$ takav da vrijedi $u = A\Omega_s$. Skup D_{Ω_s} definiran je na osnovi ograničenja na brzine vrtnje motora

$$0 \leq \Omega_i^2 \leq \Omega_{\max}^2, \quad i = \overline{1..8}. \quad (3.17)$$

Do skupa D_u nije jednostavno doći eksplicitno, ali s obzirom na prethodno ograničenje te da je preslikavanje definirano relacijom (3.13) linearno, skup D_u bit će politop (*engl.* Polytope) u prostoru \mathbb{R}^4 . Regulator će generirati željeni vektor virtualnih upravljačkih signala u^{des} , što znači da je neophodno odrediti preslikavanje $D_u \mapsto D_{\Omega_s}$. Ovaj se problem naziva upravljačkom alokacijom (*engl.* Control Allocation), tj. alokira željeno upravljanje na raspoložive aktuatoru u sustavu. Problem koji je inherentno prisutan kod ovog preslikavanja posljedica je surjektivnosti (redundancije motora), jer možemo istu vrijednost vektora virtualnih upravljačkih signala realizirati preko beskonačnog broja različitih kombinacija kutnih brzina motora. Postoje mnoge metode realizacije upravljačke alokacije, a jako dobar pregled tih metoda dan je u [62]. Jednostavnosti radi ćemo razmatrati pristup temeljen na uvođenju dodatnih ograničenja koja aktuatoru matricu pretvaraju u kvadratnu (invertibilnu) matricu. Naime, ako uvedemo ograničenja

$$\Omega_1 = \Omega_3, \quad \Omega_2 = \Omega_4, \quad \Omega_5 = \Omega_7, \quad \Omega_6 = \Omega_8, \quad (3.18)$$

koja oktokopter pretvaraju u ekvivalentni kvadkopter, matrica A postaje

$$A_f = \begin{bmatrix} 2b & 2b & 2b & 2b \\ bl & 0 & -bl & 0 \\ -bl & -\sqrt{2}bl & bl & \sqrt{2}bl \\ -2d & 2d & -2d & 2d \end{bmatrix}, \quad (3.19)$$

te ako uvedemo pomoćni vektor

$$\Omega_{s,f} = \begin{bmatrix} \Omega_{s,f,1} \\ \Omega_{s,f,2} \\ \Omega_{s,f,3} \\ \Omega_{s,f,4} \end{bmatrix} = \begin{bmatrix} \Omega_1^2 \\ \Omega_2^2 \\ \Omega_5^2 \\ \Omega_6^2 \end{bmatrix}, \quad (3.20)$$

onda upravljačku alokaciju (3.13) možemo riješiti kao

$$\Omega_{s,f} = A_f^{-1} u^{\text{des}}.$$

Za rekonstrukciju vektora Ω_s iz vektora $\Omega_{s,f}$ možemo iskoristiti matričnu jednadžbu

$$\Omega_s = E \Omega_{s,f}, \quad (3.21)$$

gdje je operator E dan kao

$$E = \begin{bmatrix} 1 & 0 & 1 & 0 & 0 & 0 & 0 & 0 \\ 0 & 1 & 0 & 1 & 0 & 0 & 0 & 0 \\ 0 & 0 & 0 & 0 & 1 & 0 & 1 & 0 \\ 0 & 0 & 0 & 0 & 0 & 1 & 0 & 1 \end{bmatrix}^T. \quad (3.22)$$

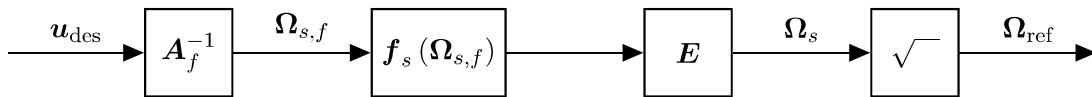
Zbog prisutnog zasićenja na brzine vrtnje motora možemo definirati funkciju

$$f_s(\Omega_{s,f}) = \begin{cases} 0, & \Omega_{s,f} < 0 \\ \Omega_{s,f}, & 0 \leq \Omega_{s,f} \leq \Omega_{\max}^2 \\ \Omega_{\max}^2, & \Omega_{s,f} > \Omega_{\max}^2 \end{cases} \quad (3.23)$$

i njenu vektorizaciju

$$f_s(\Omega_{s,f}) = \left[f_s(\Omega_{s,f,1}) \quad f_s(\Omega_{s,f,2}) \quad f_s(\Omega_{s,f,3}) \quad f_s(\Omega_{s,f,4}) \right]^T, \quad (3.24)$$

pa upravljačku alokaciju možemo blokovski predočiti kao na slici 3.6. Da bi se dobilo poboljšanje u performansama izvršavanja razumno je unaprijed izračunati matričnu inverziju A_f^{-1} , s obzirom da je ona vremenski invarijantna.

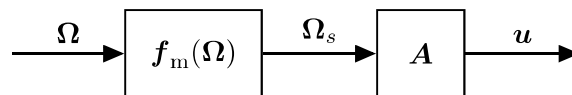


Slika 3.6 – Blokovska shema upravljačke alokacije.

Ako definiramo vektorsku funkciju

$$f_m(\Omega) = \left[\Omega_1^2 \quad \Omega_2^2 \quad \Omega_3^2 \quad \Omega_4^2 \quad \Omega_5^2 \quad \Omega_6^2 \quad \Omega_7^2 \quad \Omega_8^2 \right]^T = \Omega_s. \quad (3.25)$$

tada možemo aktuaciju predočiti blok shemom kao na slici 3.7.



Slika 3.7 – Blok shema aktuacije.

3.4 Linearizirani model oktokoptera

Ako pretpostavimo da oktokopter leti paralelno s $\{x, y\}$ ravninom, onda se ravnotežno stanje definira kao

$$\begin{aligned}
 (x_e, y_e, z_e) &= (x, y, z) \\
 (u_e, v_e, w_e) &= (0, 0, 0) \\
 (P_e, Q_e, R_e) &= (0, 0, 0) \\
 (\phi_e, \theta_e, \psi_e) &= (0, 0, \psi).
 \end{aligned} \tag{3.26}$$

Možemo izvršiti linearizaciju matematičkog modela oktokoptera oko ravnotežnog stanja da bismo dobili djelomično linearizirani sustav diferencijalnih jednažbi koji omogućuje jednostavnije projektiranje regulatora za praćenje referentne pozicije i orijentacije. Linearizirani kinematički model pravolinijskog gibanja opisan je sustavom jednažbi

$$\begin{aligned}
 \dot{x} &= c_{\psi_e} u - s_{\psi_e} v \\
 \dot{y} &= s_{\psi_e} u + c_{\psi_e} v \\
 \dot{z} &= w.
 \end{aligned} \tag{3.27}$$

Linearizirani kinematički model kružnog gibanja opisan je sustavom jednažbi

$$\begin{aligned}
 \dot{\phi} &= P \\
 \dot{\theta} &= Q \\
 \dot{\psi} &= R.
 \end{aligned} \tag{3.28}$$

Linearizirani dinamički model pravolinijskog gibanja opisan je sustavom jednažbi

$$\begin{aligned}
 \dot{u} &= g\theta \\
 \dot{v} &= -g\phi \\
 \dot{w} &= \frac{T}{m_o} - g.
 \end{aligned} \tag{3.29}$$

Linearizirani dinamički model kružnog gibanja opisan je sustavom jednažbi

$$\begin{aligned}
 \dot{P} &= \frac{\tau_x}{I_{xx}} \\
 \dot{Q} &= \frac{\tau_y}{I_{yy}} \\
 \dot{R} &= \frac{\tau_z}{I_{zz}}.
 \end{aligned} \tag{3.30}$$

3.5 Projektiranje regulatora za praćenje visine letjelice u okolini ravnotežnog stanja

Za praćenje visine z koristimo linearizirani kinematički model za visinu oblika

$$\dot{z} = w \quad (3.31)$$

i linearizirani dinamički model pravolinijske brzine w oblika

$$\dot{w} = \frac{T}{m_o} - g. \quad (3.32)$$

Kombiniranjem relacija (3.31) i (3.32) dobije se linearizirani dinamički model visine

$$\ddot{z} = \frac{T}{m_o} - g. \quad (3.33)$$

Za pogrešku odstupanja od željene visine

$$e_z = z_{\text{ref}} - z, \quad (3.34)$$

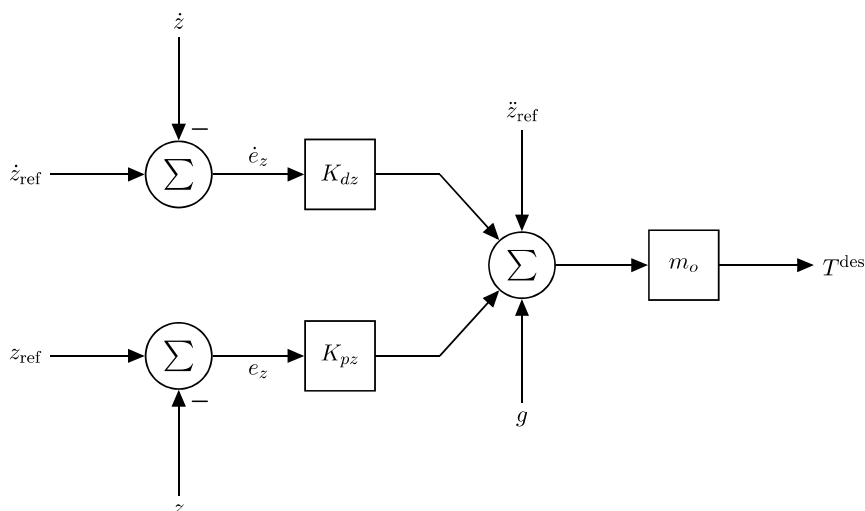
gdje je z_{ref} referentna visina, i upravljački zakon

$$T^{\text{des}} = m_o (g + \ddot{z}_{\text{ref}} + K_{dz}\dot{e}_z + K_{pz}e_z), \quad (3.35)$$

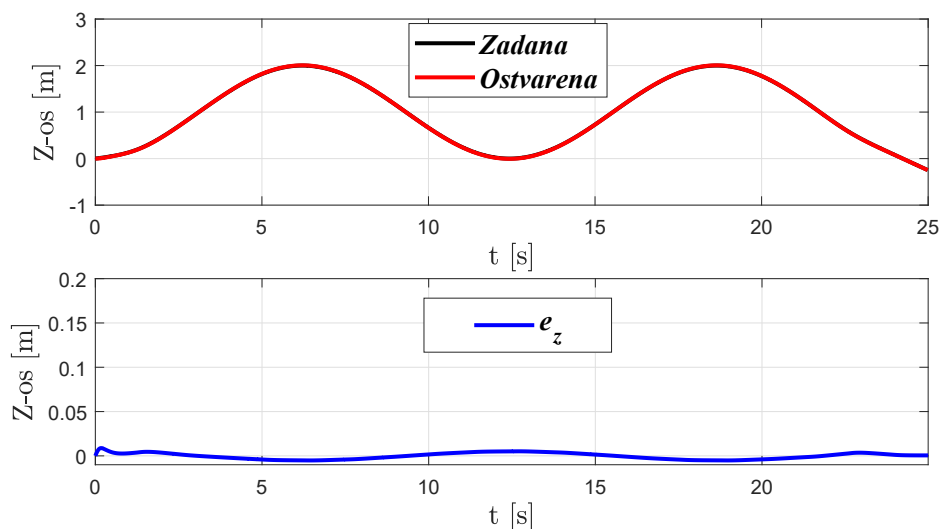
gdje je $g = 9,81\text{m/s}^2$ gravitacijsko ubrzanje, K_{dz} koeficijent derivacijskog člana PD regulatora i K_{pz} koeficijent proporcijalnog člana PD regulatora. Uvrštavanjem (3.35) u (3.33) dobiva se sljedeći izraz za dinamiku pogreške po visini

$$\ddot{e}_z + K_{dz}\dot{e}_z + K_{pz}e_z = 0. \quad (3.36)$$

S obzirom na to da je u pitanju linearna diferencijalna jednadžba drugog reda, pogreška e_z eksponencijalno opada ka nuli za pozitivne vrijednosti proporcionalnog i derivacijskog pojačanja. Na slici 3.8 je predložena blokovska shema regulatora za praćenje referentne visine, a na slici 3.9 predloženi su rezultati praćenja visine za vrijednosti parametara regulatora $K_{dz} = 5$ i $K_{pz} = 6.25$.



Slika 3.8 – Blokovska shema regulatora za praćenje referentne visine.



Slika 3.9 – Rezultati praćenja visine.

Sa slike 3.9 može se uočiti da pogreška vrlo brzo pada na nisku vrijednost te da postoje male niskofrekvencijske oscilacije oko željene visine što je očekivano s obzirom na objekt kojim se upravlja, te da su performanse praćenja općenito dobre.

3.6 Projektiranje regulatora za praćenje orijentacije u okolini ravnotežnog stanja

Kod praćenja orijentacije neophodno je pratiti tri kuta rotacije, oko X , Y i Z osi. Za vektor kutova oko X , Y i Z

$$\Psi = \begin{bmatrix} \phi & \theta & \psi \end{bmatrix}^T \quad (3.37)$$

i vektor kružnih brzina u lokalnom koordinatnom sustavu

$$P = \begin{bmatrix} P & Q & R \end{bmatrix}^T, \quad (3.38)$$

linearizirani kinematički model kružnog gibanja može se vektorski zapisati u obliku:

$$\dot{\Psi} = P \quad (3.39)$$

a linearizirani dinamički model kružnog gibanja u obliku:

$$\dot{P} = J^{-1} \tau, \quad (3.40)$$

gdje je J tenzor inercije oktokoptera

$$J = \begin{bmatrix} I_{xx} & 0 & 0 \\ 0 & I_{yy} & 0 \\ 0 & 0 & I_{zz} \end{bmatrix}. \quad (3.41)$$

Ako kombiniramo relacije (3.39) i (3.40) dobivamo dinamički model orijentacije Ψ oblika

$$\ddot{\Psi} = J^{-1} \tau. \quad (3.42)$$

Za pogrešku odstupanja od željenog stanja definiranu na sljedeći način:

$$e_{\Psi} = \begin{bmatrix} \phi_{\text{ref}} \\ \theta_{\text{ref}} \\ \psi_{\text{ref}} \end{bmatrix} - \begin{bmatrix} \phi \\ \theta \\ \psi \end{bmatrix} = \Psi_{\text{ref}} - \Psi, \quad (3.43)$$

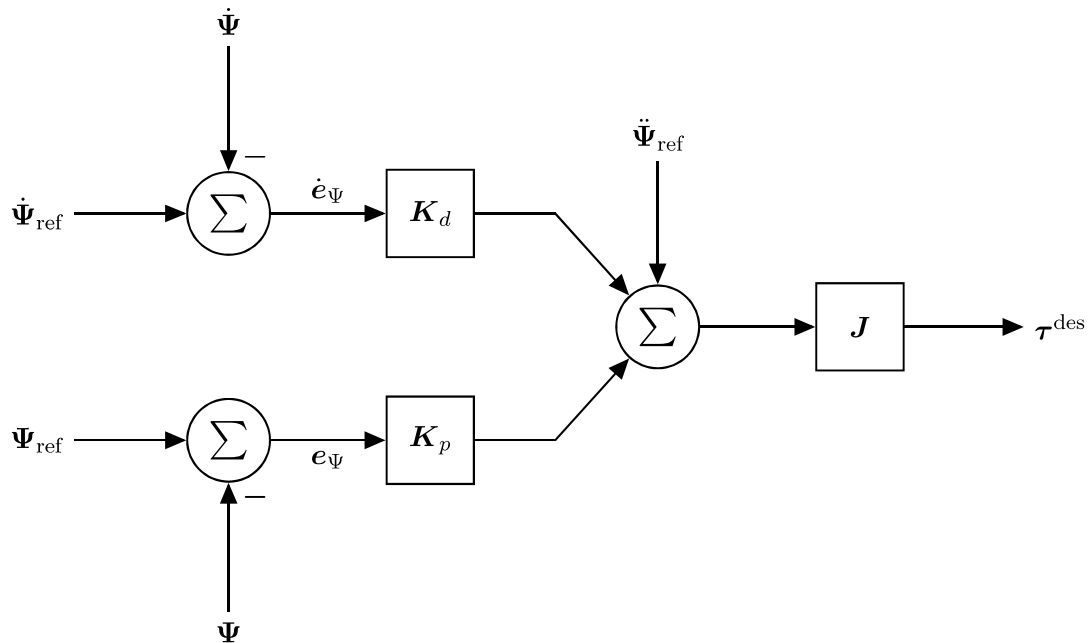
te odabir upravljačkog zakona kao:

$$\tau^{\text{des}} = J (\ddot{\Psi}_{\text{ref}} + K_d \dot{e}_{\Psi} + K_p e_{\Psi}), \quad (3.44)$$

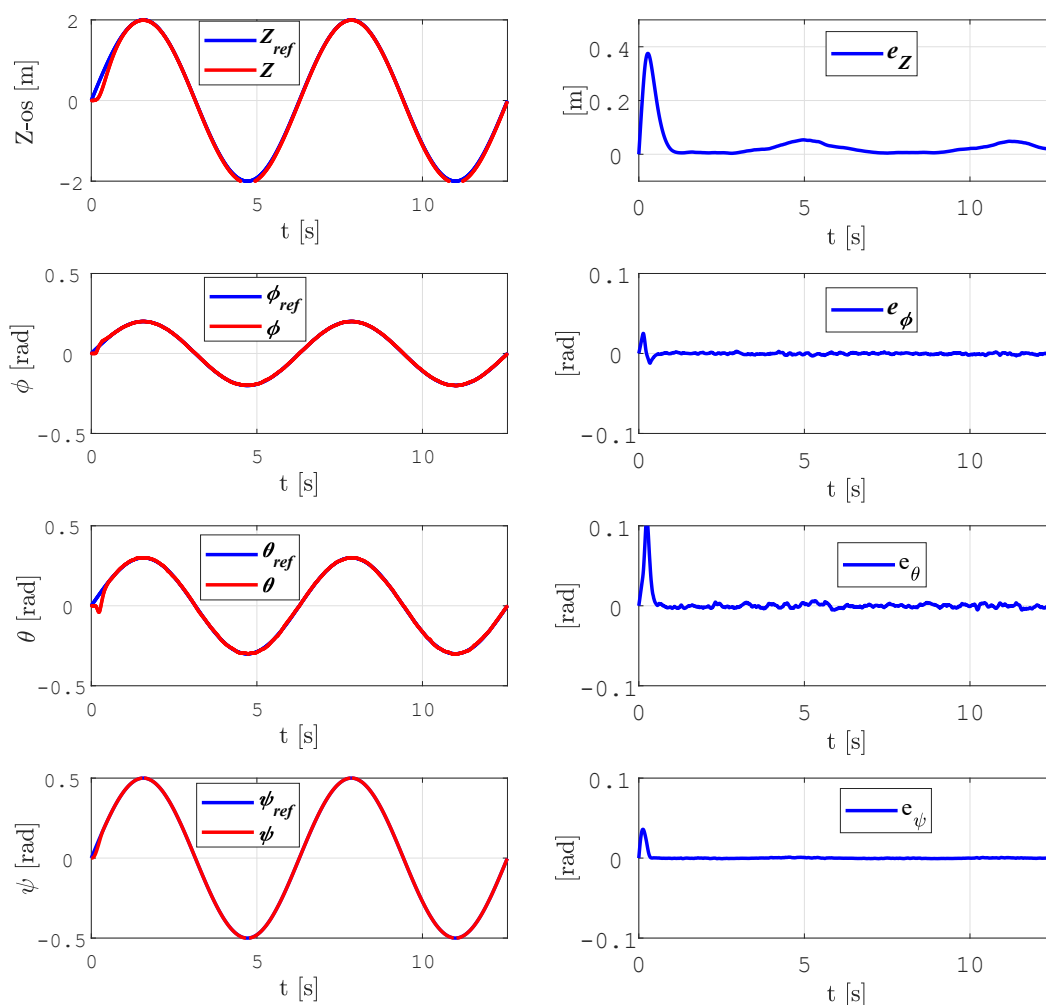
uvažavajući relaciju (3.42) dobiva se dinamički model pogreške orijentacije oblika

$$\ddot{e}_{\Psi} + K_d \dot{e}_{\Psi} + K_p e_{\Psi} = 0_{3 \times 1}. \quad (3.45)$$

Ako odaberemo matrice pojačanja oblika $K_d = K_d I_{3 \times 3}$ i $K_p = K_p I_{3 \times 3}$ dobivamo raspregnute regulatore po Eulerovim kutovima ϕ , θ i ψ . Pogreške po Eulerovim kutovima će težiti ka nuli za pozitivne vrijednosti proporcionalnog i derivacijskog pojačanja s obzirom da se radi o sustavu raspregnutih linearnih diferencijalnih jednadžbi drugog reda. Na slici 3.10 predočena je blokovska shema regulatora za praćenje referentne orijentacije, a na slici 3.11 predočeni su rezultati praćenja visine i orijentacije za vrijednosti parametara regulatora $K_{dz} = 30$, $K_{pz} = 225$, $K_d = 20$ i $K_p = 100$.



Slika 3.10 – Blokovska shema regulatora za praćenje referentne orijentacije.



Slika 3.11 – Rezultati praćenja visine i orijentacije.

Sa slike 3.11 vidimo da pogreške svih varijabli isčezavaju unutar 1s i da su performanse praćenja općenito dobre, a pored toga su zadane trajektorije dosta zahtjevne obzirom da podrazumijevaju simultano upravljanje po svim koordinatama.

3.7 Projektiranje regulatora za praćenje pozicije u okolini ravnotežnog stanja

Prethodno projektirani regulatori upravljaju samo visinom i orijentacijom letjelice, a gibanje letjelice po x i y koordinatama pozicije posljedica je kinematičkog i dinamičkog modela sustava.

Razmotrimo linearizirani kinematički model letjelice za koordinate x i y dan prvim dvjema jednadžama u (3.27). Model (3.27) možemo zapisati i matricno

$$\begin{bmatrix} \dot{x} \\ \dot{y} \end{bmatrix} = \begin{bmatrix} c_{\psi_e} & -s_{\psi_e} \\ s_{\psi_e} & c_{\psi_e} \end{bmatrix} \begin{bmatrix} u \\ v \end{bmatrix}, \quad (3.46)$$

Rotacijska je matrica u (3.46) ortogonalna pa inverzni izraz izrazu (3.46) glasi:

$$\begin{bmatrix} u \\ v \end{bmatrix} = \begin{bmatrix} c_{\psi_e} & s_{\psi_e} \\ -s_{\psi_e} & c_{\psi_e} \end{bmatrix} \begin{bmatrix} \dot{x} \\ \dot{y} \end{bmatrix}. \quad (3.47)$$

Deriviranjem izraza (3.47) dobije se sljedeći izraz.

$$\begin{bmatrix} \dot{u} \\ \dot{v} \end{bmatrix} = \begin{bmatrix} c_{\psi_e} & s_{\psi_e} \\ -s_{\psi_e} & c_{\psi_e} \end{bmatrix} \begin{bmatrix} \ddot{x} \\ \ddot{y} \end{bmatrix}, \quad (3.48)$$

Prema izrazu (3.29) je $\dot{u} = g\theta$ i $\dot{v} = -g\phi$, što uvršteno u izraz (3.48) daje

$$g \begin{bmatrix} \theta \\ -\phi \end{bmatrix} = \begin{bmatrix} c_{\psi_e} & s_{\psi_e} \\ -s_{\psi_e} & c_{\psi_e} \end{bmatrix} \begin{bmatrix} \ddot{x} \\ \ddot{y} \end{bmatrix}. \quad (3.49)$$

Množenjem prethodnog izraza slijeva s

$$\frac{1}{g} \begin{bmatrix} 0 & -1 \\ 1 & 0 \end{bmatrix}$$

dobije se

$$\begin{bmatrix} \phi \\ \theta \end{bmatrix} = \frac{1}{g} \begin{bmatrix} s_{\psi_e} & -c_{\psi_e} \\ c_{\psi_e} & s_{\psi_e} \end{bmatrix} \begin{bmatrix} \ddot{x} \\ \ddot{y} \end{bmatrix}. \quad (3.50)$$

Iz (3.50) proizilazi da se može projektirati regulator za praćenje koordinata x i y , koji na svom izlazu daju referentne vrijednosti za kutove valjanja ϕ i posrtanja θ . Budući da regulatori za rotaciju oko X i Y osi, koji su izvedeni u potpoglavlju 3.6, zahtijevaju prve i druge derivacije kutova valjanja ϕ i posrtanja θ , proizilazi da referentne trajektorije po x i y koordinatama trebaju biti barem četverostruko diferencijabilne kako bismo generirali druge derivacije ϕ i θ kutova. Projektiranje regulatora po poziciji za x i y provodimo analogno kao i za regulatore po visini i po kutovima. Da bi pogreške praćenje po referentnim pozicijama x_{ref} i y_{ref}

$$e_x = x_{\text{ref}} - x \quad (3.51)$$

$$e_y = y_{\text{ref}} - y,$$

eksponencijalno iščezavale dovoljno je da njihova dinamika zadovoljavaja relaciju

$$\begin{bmatrix} \ddot{e}_x \\ \ddot{e}_y \end{bmatrix} + K_d \begin{bmatrix} \dot{e}_x \\ \dot{e}_y \end{bmatrix} + K_p \begin{bmatrix} e_x \\ e_y \end{bmatrix} = \mathbf{0}_{2 \times 1}. \quad (3.52)$$

gdje ju K_d i K_p pozitivna pojačanja. Iz (3.51) i (3.52) možemo druge derivacije koordinata pozicije x i y izraziti kao

$$\begin{bmatrix} \ddot{x} \\ \ddot{y} \end{bmatrix} = \begin{bmatrix} \ddot{x}_{\text{ref}} \\ \ddot{y}_{\text{ref}} \end{bmatrix} + K_d \begin{bmatrix} \dot{e}_x \\ \dot{e}_y \end{bmatrix} + K_p \begin{bmatrix} e_x \\ e_y \end{bmatrix}, \quad (3.53)$$

što u kombinaciji s relacijom (3.50) omogućava izračunavanje referentnih vrijednosti kutova valjanja i posrtanja kao

$$\begin{bmatrix} \phi_{\text{ref}} \\ \theta_{\text{ref}} \end{bmatrix} = \frac{1}{g} \begin{bmatrix} s\psi_e & -c\psi_e \\ c\psi_e & s\psi_e \end{bmatrix} \begin{bmatrix} \ddot{x} \\ \ddot{y} \end{bmatrix}. \quad (3.54)$$

Deriviranjem prethodne relacije dobivamo

$$\begin{bmatrix} \dot{\phi}_{\text{ref}} \\ \dot{\theta}_{\text{ref}} \end{bmatrix} = \frac{1}{g} \begin{bmatrix} s\psi_e & -c\psi_e \\ c\psi_e & s\psi_e \end{bmatrix} \begin{bmatrix} \ddot{x} \\ \ddot{y} \end{bmatrix}, \quad (3.55)$$

Treće derivacije koordinata pozicije x i y u (3.55) možemo, na osnovi relacije (3.53), izraziti kao

$$\begin{bmatrix} \ddot{x} \\ \ddot{y} \end{bmatrix} = \begin{bmatrix} \ddot{x}_{\text{ref}} \\ \ddot{y}_{\text{ref}} \end{bmatrix} + K_d \begin{bmatrix} \dot{e}_x \\ \dot{e}_y \end{bmatrix} + K_p \begin{bmatrix} e_x \\ e_y \end{bmatrix}. \quad (3.56)$$

Druge derivacije pogreške praćenja po x i y koordinatama referentne pozicije možemo, na osnovi prve derivacije relacije (3.51), izraziti kao

$$\begin{bmatrix} \ddot{e}_x \\ \ddot{e}_y \end{bmatrix} = \begin{bmatrix} \ddot{x}_{\text{ref}} \\ \ddot{y}_{\text{ref}} \end{bmatrix} - \begin{bmatrix} \ddot{x} \\ \ddot{y} \end{bmatrix}. \quad (3.57)$$

Analognim postupkom dobivamo drugu derivaciju referentnih vrijednosti kutova valjanja i posrtanja kao

$$\begin{bmatrix} \ddot{\phi}_{\text{ref}} \\ \ddot{\theta}_{\text{ref}} \end{bmatrix} = \frac{1}{g} \begin{bmatrix} s\psi_e & -c\psi_e \\ c\psi_e & s\psi_e \end{bmatrix} \begin{bmatrix} \ddot{x} \\ \ddot{y} \end{bmatrix}, \quad (3.58)$$

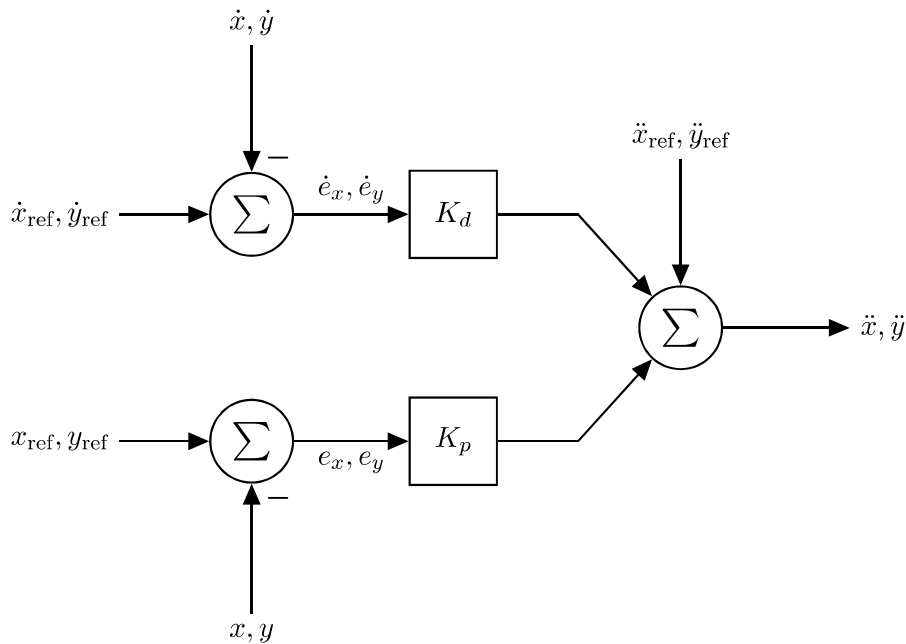
četvrtu derivaciju koordinata pozicije x i y kao

$$\begin{bmatrix} \ddot{x} \\ \ddot{y} \end{bmatrix} = \begin{bmatrix} \ddot{x}_{\text{ref}} \\ \ddot{y}_{\text{ref}} \end{bmatrix} + K_{dz} \begin{bmatrix} \ddot{e}_x \\ \ddot{e}_y \end{bmatrix} + K_{pz} \begin{bmatrix} \ddot{e}_x \\ \ddot{e}_y \end{bmatrix}. \quad (3.59)$$

i treću derivaciju pogreške praćenja referentne pozicije kao

$$\begin{bmatrix} \ddot{e}_x \\ \ddot{e}_y \end{bmatrix} = \begin{bmatrix} \ddot{x}_{\text{ref}} \\ \ddot{y}_{\text{ref}} \end{bmatrix} - \begin{bmatrix} \ddot{x} \\ \ddot{y} \end{bmatrix}. \quad (3.60)$$

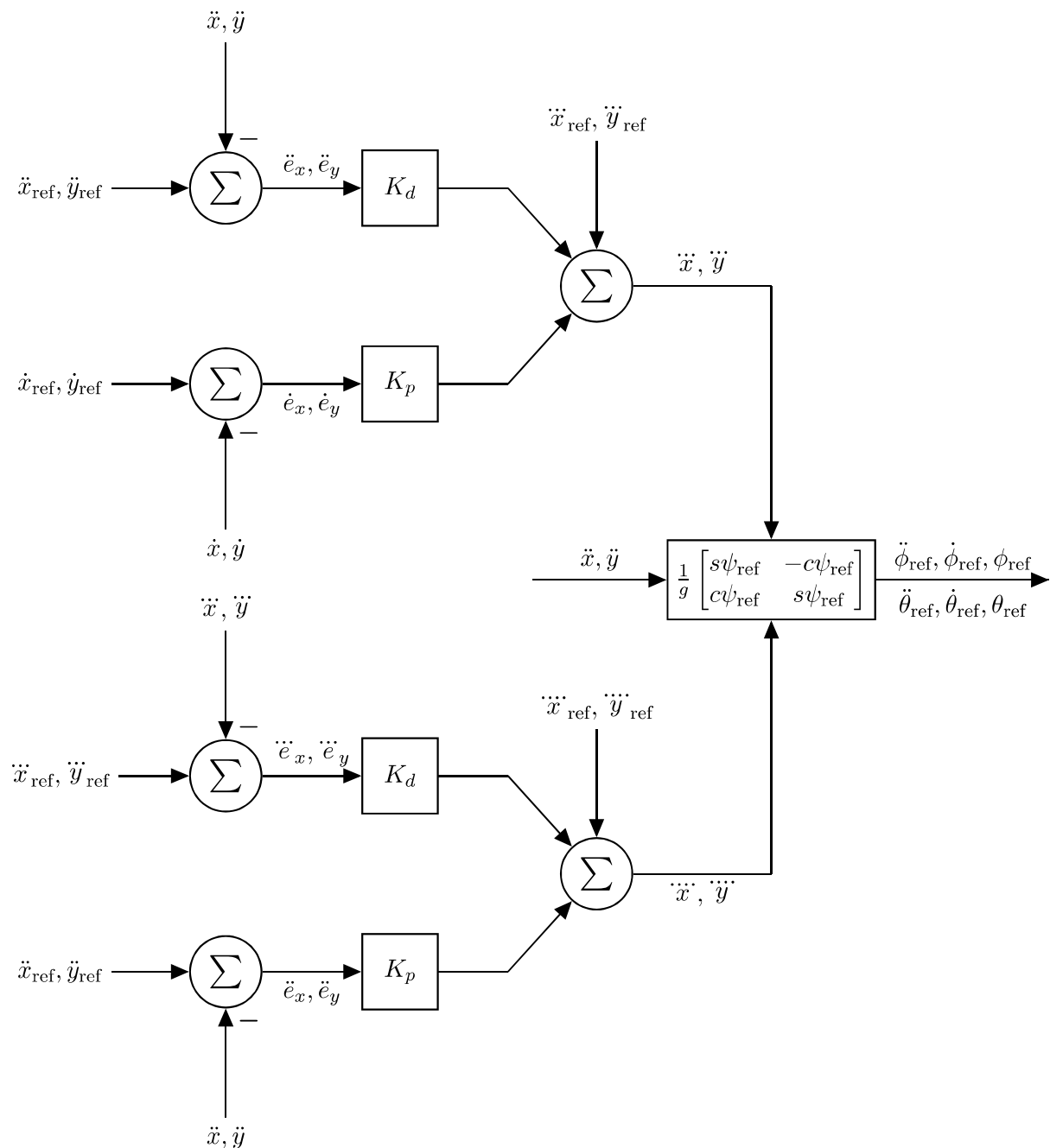
Relacije (3.53) do (3.60) definiraju tzv. preslikavanje temeljeno na ravnosti (*engl. flatness*) na osnovi koje trenutne vrijednosti x i y koordinata pozicije preslikavamo u referentne vrijednosti kutova valjanja i posrtanja. One zahtjevaju poznavanje referentnih vrijednosti pozicija x_{ref} i y_{ref} do njihovih četvrtih derivacija i poznavanje trenutne željene vrijednosti kuta zaošijanja ψ_{ref} (prema definiciji ravnotežnog stanja danog relacijom (3.26)). Jednostavnosti radi, uzeta su proporcionalno i derivacijsko pojačanje kao i kod regulatora visine. Na slici 3.12 je predložena blokovska shema regulatora za praćenje x i y koordinata referentne pozicije.



Slika 3.12 – Blokovska shema za praćenje x i y koordinata referentne pozicije.

Na slici 3.13 predložena je shema za preslikavanje pozicije po x i y koordinatama temeljna na

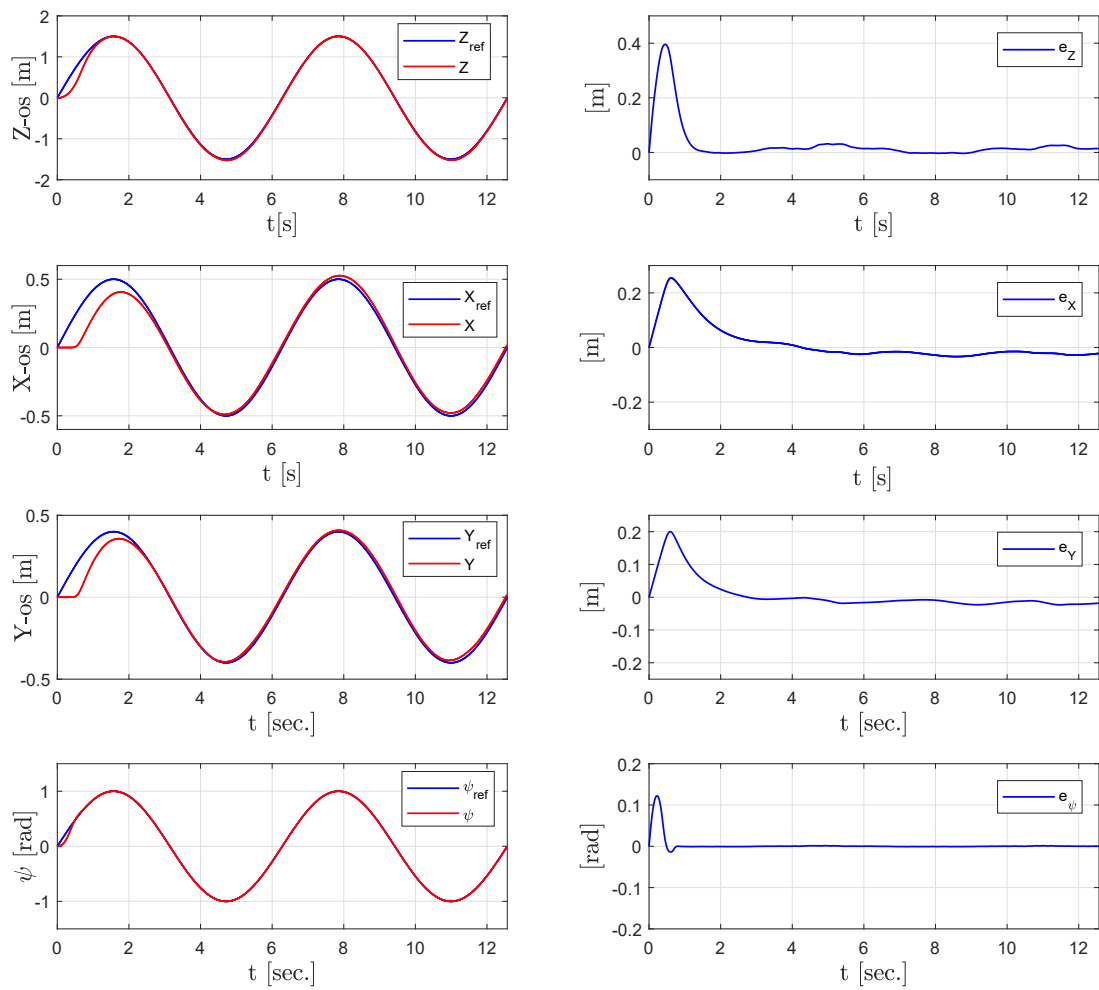
načelu ravnosti.



Slika 3.13 – Blokovska shema preslikavanja temeljenog na načelu ravnosti.

Scheme prikazane na slikama 3.12 i 3.13, zajedno sa regulatorom visine, prikazanim na slici 3.8, tvore regulator pozicije letjelice.

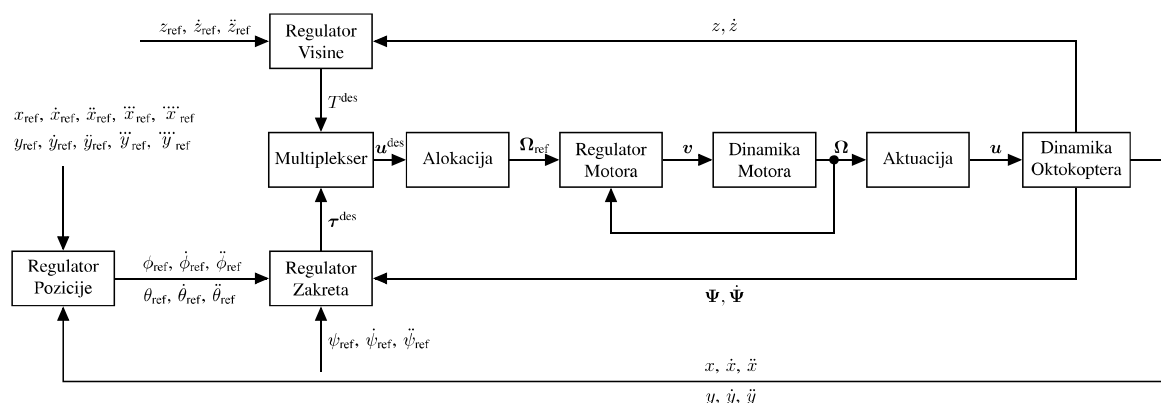
Na slici 3.14 predloženi su rezultati praćenja pozicije i kuta zaošijanja za vrijednosti parametara regulatora $K_{dz} = 14.5$, $K_{pz} = 52.56$, $K_d = 45$ i $K_p = 506.5$. Sa slike vidimo da pogreške svih varijabli iščezavaju unutar 4 sekunde. Razlog tome je da je zadana trajektorija jako zahtjevna. Bez obzira na to, performanse praćenja općenito su dobre, što potvrđuje ispravnost razmatranog pristupa.



Slika 3.14 – Rezultati praćenja pozicije i orijentacije letjelice.

3.8 Upravljačka arhitektura cjelokupnog sustava bespilotne letjelice

Na slici 3.15 predočena je konačna upravljačka arhitektura projektiranog regulatora za praćenje referentne trajektorije.

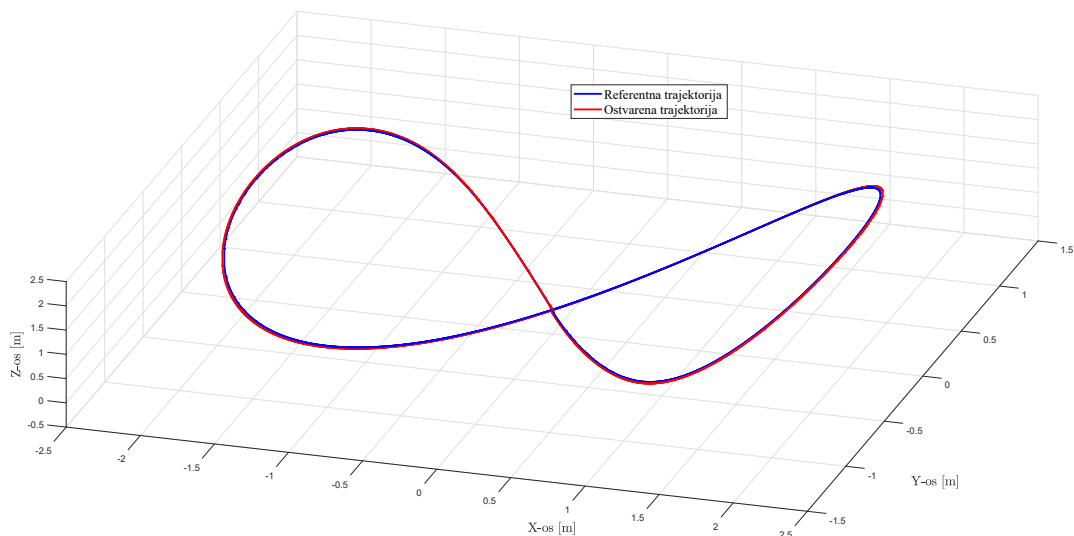


Slika 3.15 – Blokvska shema upravljačke arhitekture reguatora za praćenje referentne trajektorije.

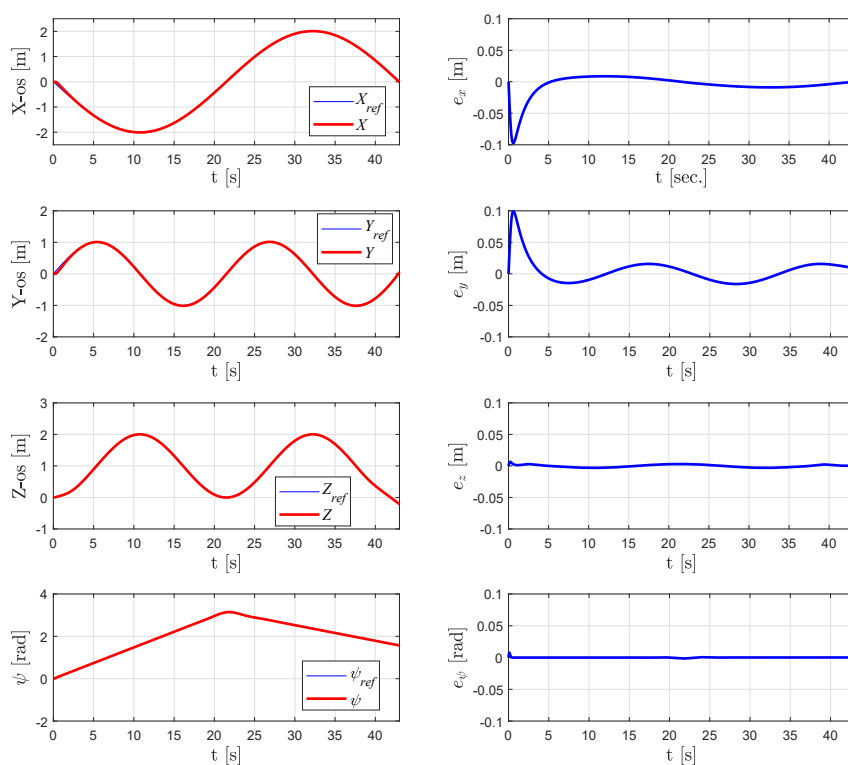
Predložena arhitektura cjelokupnog sustava istovremenog upravljanja po koordinatama x , y , z i po orijentaciji se sastoji od sljedećih podsustava:

- regulator x i y koordinata pozicije (*engl.* xy Controller) i preslikavanja temeljenog na ravnosti (*engl.* Flat Mapping),
- regulator visine (*engl.* Altitude Controller),
- regulator zakreta (*engl.* Attitude Controller),
- upravljačka alokacija (*engl.* Control Allocation)
- regulator brzine vrtnje motora (*engl.* Motor Controller).

Predloženi je regulator u stanju pratiti referentne x , y i z koordinate pozicije i koordinatu ψ orijentacije. Predložena arhitektura korištena je u radu [63] za upravljanje pozicijom i orijentacijom bespilotne letjelice. Ono što je neophodno jest da su referentne trajektorije x i y koordinata pozicije barem četverostruko diferencijabilne, a visine z i orijentacije ψ barem dvostruko diferencijabilne. Promjena ϕ i θ koordinata orijentacije bit će posljedica regulacija x i y koordinata pozicije. Kao primjer predložene upravljačke arhitekture za praćenje pozicije i orijentacije razmotrimo praćenje Vivijanijeve krivulje u trodimenzionalnom prostoru, što je predočeno slikom 3.16, dok su pogreške praćenja referentne krivulje po koordinatama x , y , z i orijentacije ψ predočene slikom 3.17



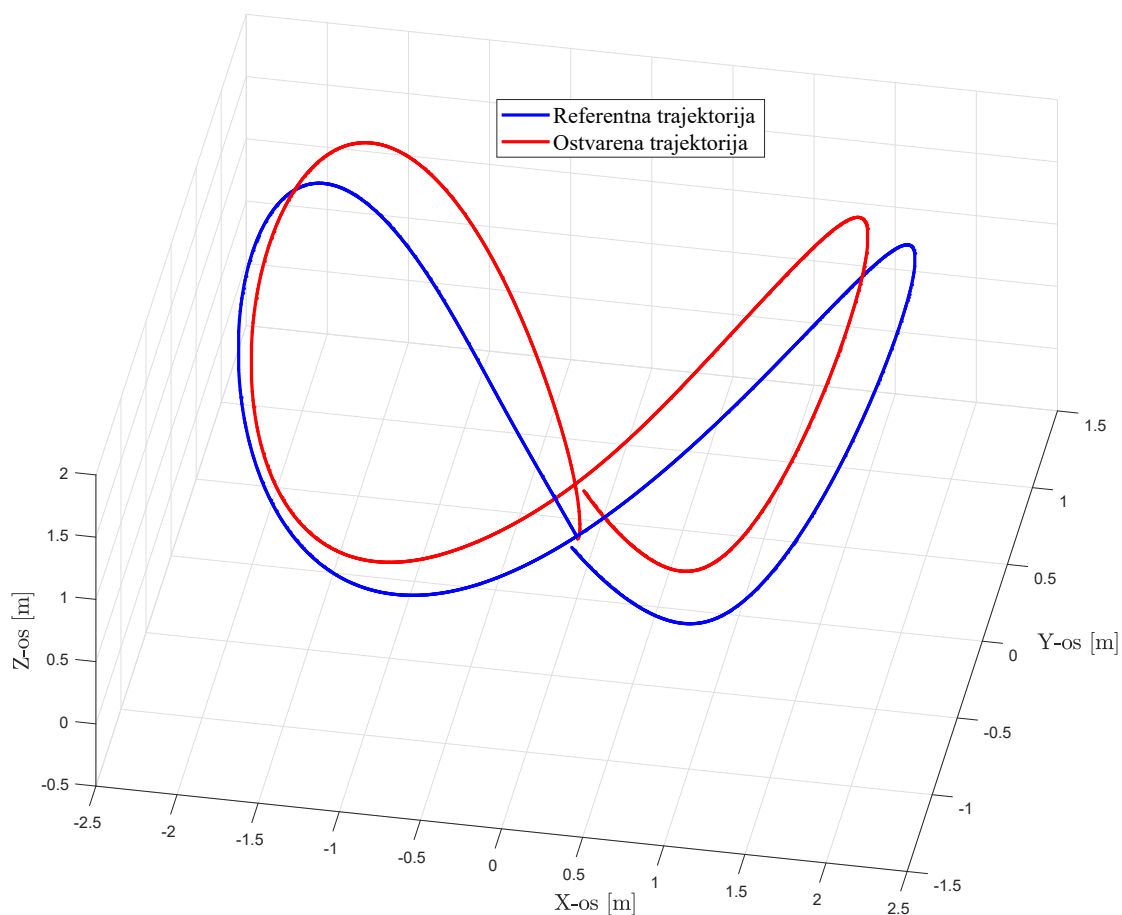
Slika 3.16 – Prikaz praćenja Vivijanijeve trajektorije u trodimenzionalnom prostoru za sustav s ispravnim pogonskim motorima s propelerima.



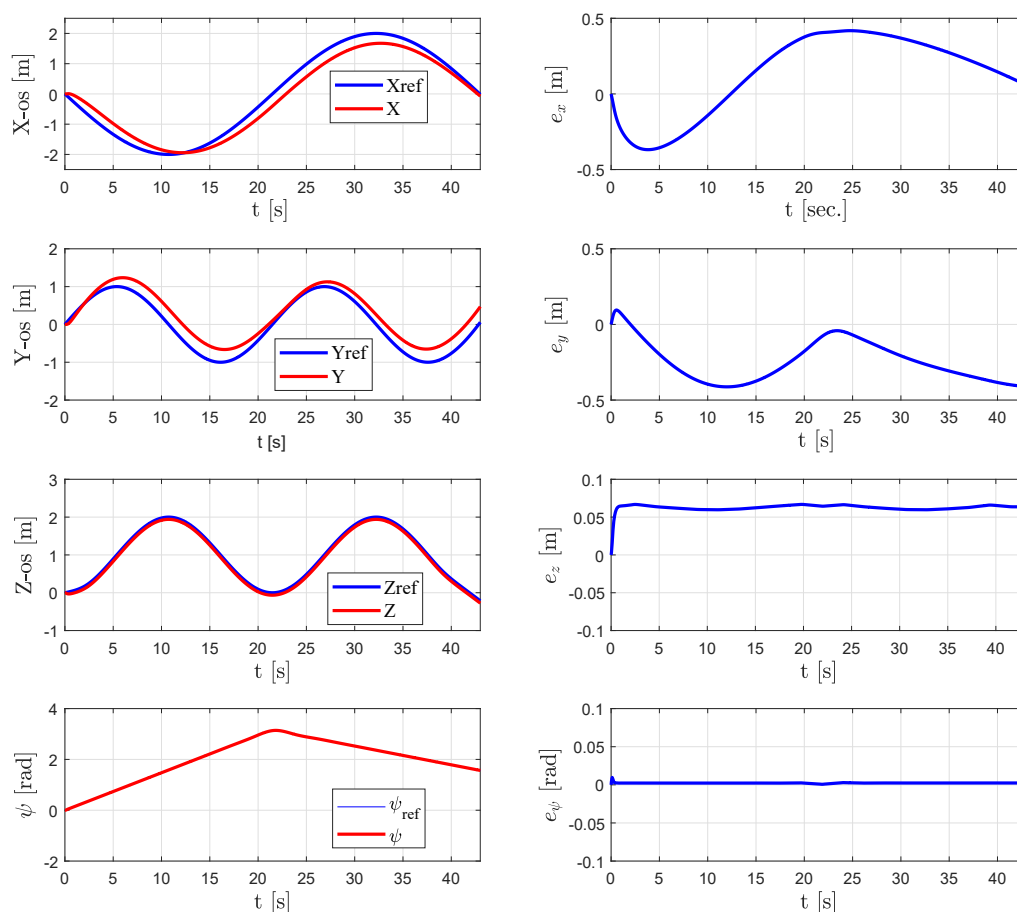
Slika 3.17 – Prikaz pogrešaka praćenja pozicije i orijentacije bespilotne letjelice.

Kako se može uočiti s slika 3.16 i 3.17 predložena arhitektura dobro prati krivulje u trodimenzionalnom prostoru. Iznosi pogrešaka su mali te su potpuno prihvatljivi s obzirom na

to da se radi o sustavu koji lebdi u zraku. Neophodno je naglasiti da je eksperiment izvršen s potpuno ispravnim pogonskim motorima s propelerima. Razmotrimo slučaj da prilikom praćenja referentne trajektorije dođe do otkaza jednog pogonskog motora s propelerom, recimo motora 3 od samoga početka misije. Dobiveni odzivi praćenja referentne krivulje u trodimenzionalnom prostoru i iznosi pogrešaka po pojedinačnim koordinatama predloženi su na slikama 3.18 i 3.19.



Slika 3.18 – Prikaz praćenje Vivijanijeve trajektorije u trodimenzionalnom prostoru za sustav bespilotne letjelice s kvarom na motoru 3.



Slika 3.19 – Prikaz pogrešaka praćenja pozicije i orijentacije bespilotne letjelice s kvarom na motoru 3.

Kao što se može uočiti iz slike 3.18, postoji stalno odstupanje u praćenju Vivijanijeve krivulje, intenzitet pogreške po pojedinim osima može se vidjeti iz odziva pogrešaka koji su predočeni na slici 3.19. Za ovaj konkretan slučaj iznos pogreške pozicije po X osi ide do 0.5 metara. Iz ovog jednostavnog primjera može se zaključiti da neispravan rad jednog od motora može dovesti do toga da imamo stalnu pogrešku u praćenju pojedinih koordinata. Neophodno je naglasiti da se upravlja sa sustavom koji posjeduje redundantnu strukturu, ali regulator nema informaciju o prestanku rada pojedinačnog pogonskog motora s propelerom. Zbog toga alokacijski modul šalje referentnu vrijednost o brzini vrtnje svim pogonskim motorima. Također, zavisno od toga na kojem je motoru došlo do kvara, intenzitet pogreške kao i utjecaj na pojedinačne koordinate može biti različit.

S obzirom da je razmatrana letjelica redundantne strukture, moguće je u upravljačku strukturu dodati regulator koji će uzeti u obzir informaciju o kvaru na nekom od pogonskih motora te rasporediti upravljačke signale na preostale ispravne motore te tako pokušati nastaviti s radom

letjelice. U tom je smislu potrebno provesti analizu koja bi razmotrila na koji način svaki od pojedinačnih motora letjelice utječe na stabilnost i upravljivost sustava bespilotne letjelice, što je obrađeno u sljedećem poglavlju disertacije.

Poglavlje 4

Upravljačka arhitektura za praćenje referentnih trajektorija

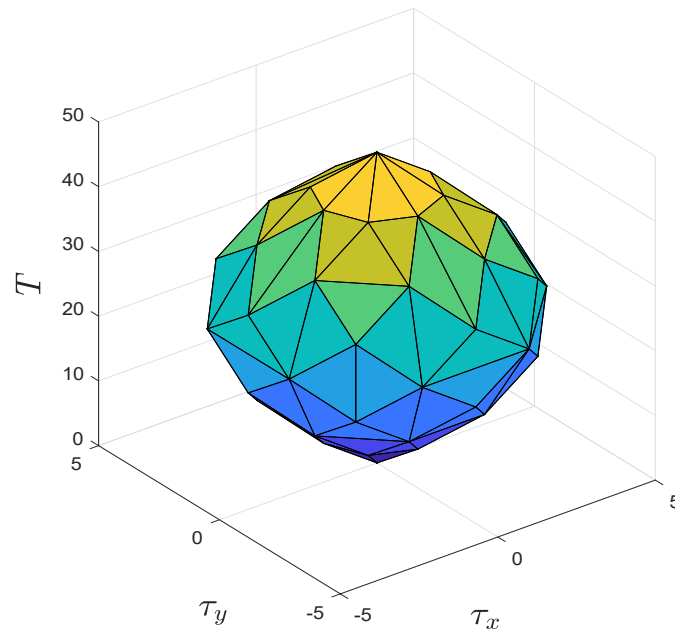
Za potrebe razvoja planera gibanja razvoja planera gibanja kao i procjene mogućnosti izvršenja planirane misije neophodno je odrediti jeli sustav, s preostalim ispravnim aktuatorima, u stanju generirati neophodnu silu potiska i momente da bi mogao dosegnuti točke u prostoru koje zada planer gibanja. Kako je pokazano u 3. poglavlju bez obzira posjeduje li sustav redundantne aktuatore može se dogoditi situacija u kojoj praćenje referentne trajektorije nije moguće. Takav je slučaj moguć ako se koristi upravljački algoritam koji ne koristi informaciju o nastanku kvara ili je kvar takve prirode da redundantni aktuatori ne mogu generirati potrebnu silu i momente. Zbog toga je neophodno definirati proceduru pomoću koje je moguće provjeriti posjeduje li sustav s aktuatorima potencijal za dostizanje referentne točke.

4.1 Ovisnost skupa dopustivih vrijednosti upravljačkih varijabli o kvarnim stanjima

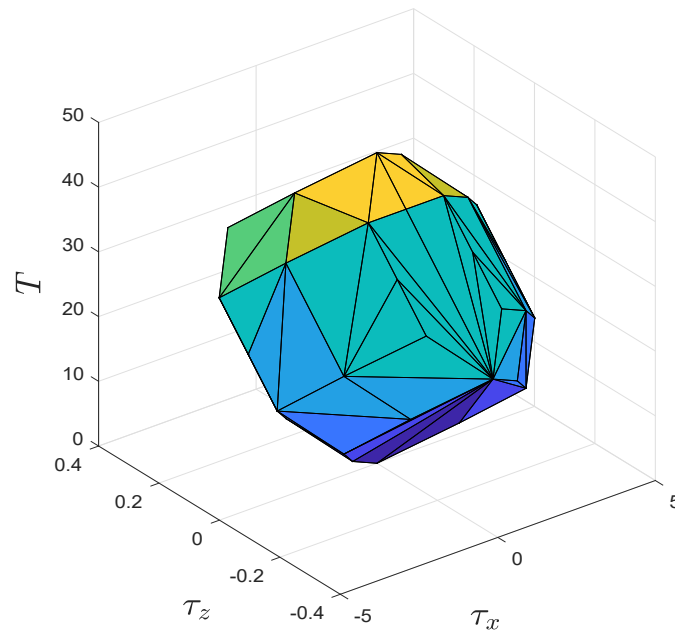
Da bismo izvršili potrebnu analizu, neophodno je definirati referentnu točku u odnosu na koju će razmatranje biti provedeno. Za tu svrhu kao referentnu točku uzeti ćemo točku lebdenja (*engl.* hovering point). Radi se o točki u kojoj sustav lebdi iznad površine zemlje na proizvoljnoj visini z uz nepostojanje vrtnje oko osi X , Y i Z . Ako sustav višerotorske letjelice ne može ostvariti stabilnost u toj točki dolazi ili do vrtnje oko njegovih osi ili do povećanja/smanjena visine, što znači da tijekom izvršavanja misije sustav nije u stanju pratiti referentne točke koje dolaze od planera gibanja. Kako je već rečeno u 2. poglavlju veza između generirane sile potiska i momenata, s brzinama vrtnje motora dana je s $u_{ref} = A\Omega_s$. Referentni upravljački signal u_{ref} predstavljen je s:

$$u_{ref} = [T \quad \tau]^T = [T \quad \tau_x \quad \tau_y \quad \tau_z]^T. \quad (4.1)$$

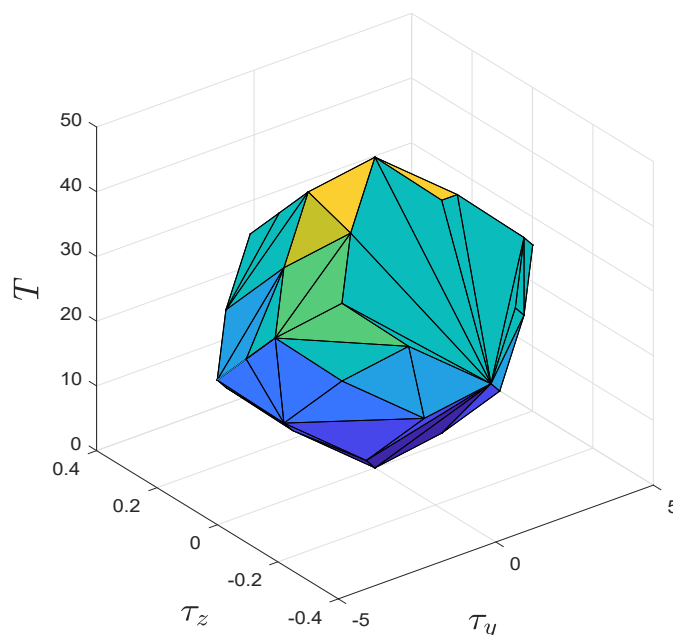
Radi ilustracije razmatranog problema razmotrimo oktokopter s PNPNPNPN smjerovima vrtnje pogonskih motora s propelerima. S obzirom na to da $\Omega_s \in D_{\Omega_s} \subset \mathbb{R}^8$ te da je $u \in D_u \subset \mathbb{R}^4$, preslikavanje $D_{\Omega_s} \mapsto D_u$ definirano relacijom $u = A\Omega_s$ surjektivno, tj. za $\forall u \in D_u \exists \Omega_s \in D_{\Omega_s}$ takav da vrijedi $u = A\Omega_s$. Skup D_{Ω_s} definiran je na osnovi ograničenja na brzine vrtnje motora. Skup D_u nije jednostavno vizualizirati, ali znajući da su brzine vrtnje motora ograničene s donje i gornje strane (relacija $0 \leq \Omega_i^2 \leq \Omega_{\max}^2$, $i = \overline{1..8}$) te da je preslikavanje $D_{\Omega_s} \mapsto D_u$, definirano relacijom $u = A\Omega_s$ linearno, skup D_u predstavlja politop (*engl. Polytope*) u prostoru \mathbb{R}^4 . Zapravo za slučaj da su sve brzine vrtnje pogonskih motora s propelerima jednake nuli, sve komponente upravljačkog ulaza u imaju vrijednost nula, tako da dobivamo prvu točku upravljačkog prostora koji ima 4 koordinate (sila uzgona T te momenti rotacije τ_x , τ_y i τ_z oko osi X , Y i Z). Ako izvršimo promjenu brzine vrtnje samo prvog pogonskog motora s nula na maksimalnu vrijednost ($\omega_{\max} = 874$ [rad/s]) tada prelazimo na sljedeću komponentu upravljačkog vektora u . Očito je broj komponenata upravljačkog vektora ovisan o broju pogonskih motora tj. imamo 2^{2n} (n je broj pari pogonskih motora s propelerima) mogućih komponenata upravljačkog vektora. Ovime se dobivaju koordinate upravljačkog vektora (u četverodimenzionalnom prostoru sile uzgona T i momenata τ_x , τ_y i τ_z) koje se sastoje samo od krajnjih vrijednosti dobivenih za jedan motor (brzina vrtnje iz opsega $(0 \leq \omega \leq \omega_{\max})$). Sve ostale međutočke, koje se dobivaju povećanjem brzine vrtnje konkretnog pogonskog motora, leže između ovih dviju krajnjih vrijednosti. Opisanim postupkom se za slučaj oktokoptera ($n = 4$ para pogonskih motora) dobiva 256 komponenata upravljačkog vektora u četvero-dimenzionalnom prostoru generiranih momenata τ_x , τ_y i τ_z i sile uzgona T . Kako se radi o četverodimenzionalnom prostoru, to se kroz bilo koje četiri od 256 generiranih točaka može postaviti jedna hiperravnina. Od svih mogućih hiperravnina koje se mogu dobiti kombiniranjem po četiri točke od raspoloživih 256, nama će biti od interesa one koje tvore zatvoreno vanjsko povezano konveksno područje. Na opisani način će se dobiti politop u četverodimenzionalnom prostoru. Kako ne možemo izvršiti vizualizaciju područja u četverodimenzionalnom prostoru, razmotriti ćemo slučaj u kojem je $\tau_x = 0$, $\tau_y = 0$ i $\tau_z = 0$, respektivno. Za navedene slučajeve dobit ćemo prikaz ortogonalnih projekcija politopa skupa D_u (s koordinatama (T, τ_x, τ_y) , (T, τ_x, τ_z) i (T, τ_y, τ_z) respektivno). Navedene projekcije predočene su slikama 4.1, 4.2 i 4.3. Slike 4.1, 4.2 i 4.3 predočavaju dopustivi skup upravljačkih varijabli za konkretnu višerotorsku letjelicu, pod uvjetom da su nam poznati njezini parametri. Ovaj dopustivi skup nam može poslužiti kao osnova za planiranje gibanja jer se, znajući dopustivi skup, može izvršiti provjera jesu li mogući prijelazi iz susjednih točaka koje generira planer gibanja.



Slika 4.1 – Oktokopter: prikaz područja vrijednosti upravljačke varijable (T , τ_x , τ_y) iz četverodimenzionalnog dopustivog područja u trodimenzionanom prostoru za $\tau_z = 0$.



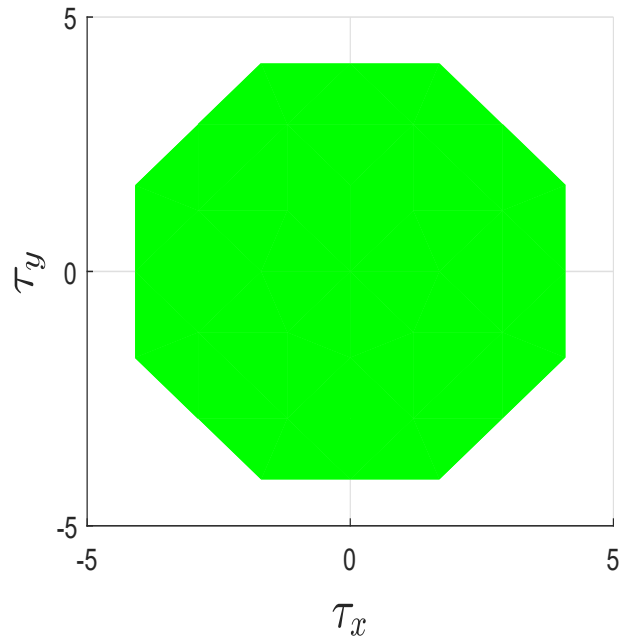
Slika 4.2 – Oktokopter: prikaz područja vrijednosti upravljačke varijable (T , τ_x , τ_z) iz četverodimenzionalnog dopustivog područja u trodimenzionanom prostoru za $\tau_y = 0$.



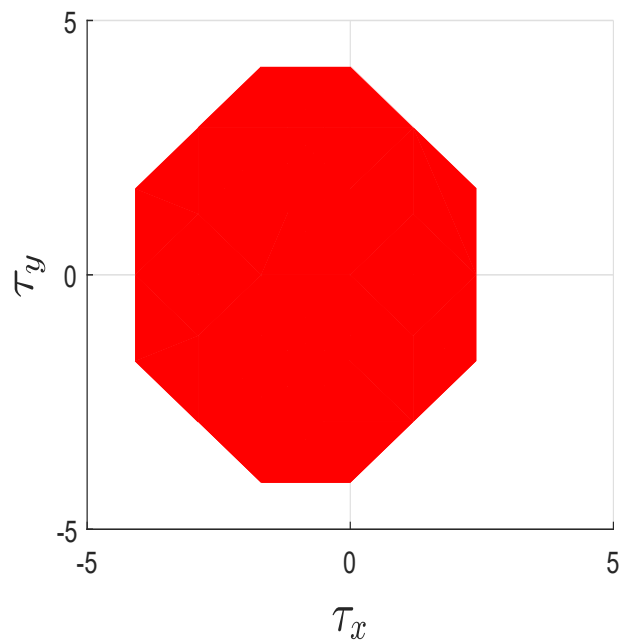
Slika 4.3 – Oktokopter: prikaz područja vrijednosti upravljačke varijable (T , τ_y , τ_z) iz četverodimenzionalnog dopustivog područja u trodimenzionalnom prostoru za $\tau_x = 0$.

Za prijelaz iz trenutne točke u sljedeću točku, na putanji koju je potrebno slijediti, planer gibanja treba proračunati iznose potrebne sile uzgona i momenata. Znajući potrebnu silu uzgona i momente može se izvršiti provjera na ograničenja dopustivog skupa upravljačkih varijabli, koji smo dobili naprijed opisanim postupkom, tako da se osigura da generirana sila potiska i momenti budu unutar dopustivog skupa upravljačkih varijabli. Za potrebe razumijevanja utjecaja pojedinačnih pogonskih motora na izgled dopuštenog skupa upravljačkih varijabli izvršit ćemo projekciju momenata τ_x , τ_y na ravninu T . Kako je za dosezanje točke lebdenja neophodno da sila uzgona savlada gravitacijsko privlačenje ($T \geq mg$), to ćemo izvršiti projekciju momenata τ_x , τ_y iz trodimenzionalnog područja (slika 4.1) na ravninu $T = mg$. Za taj slučaj, projekcija predočenog trodimenzionalnog područja izgleda kao na slici 4.4. Sa slike 4.4 može se uočiti da momenti τ_x i τ_y imaju simetrične vrijednosti te da su međusobno linearno ovisni, odnosno nije moguće istovremeno doseći maksimalne vrijednosti momenta τ_x i τ_y .

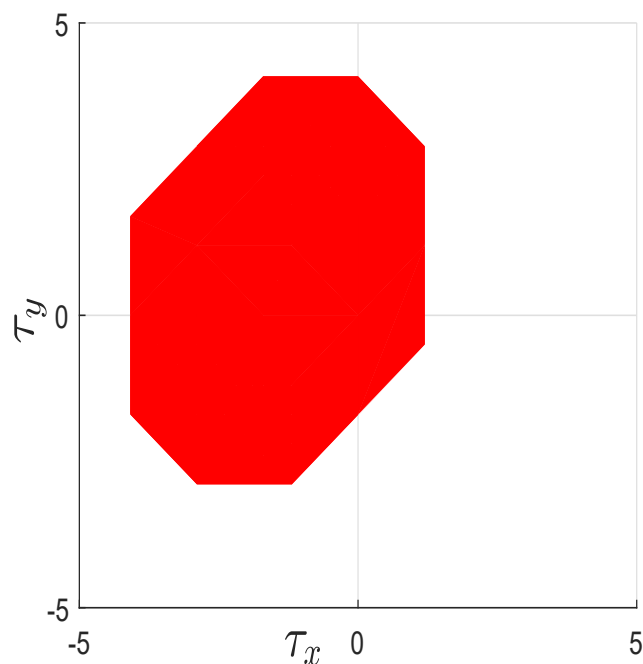
Predočimo dopustivi skup upravljačkih varijabli za slučaj nastanka kvara na sustavu višerotorske letjelice. Radi ilustracije razmotrimo slučaj kvarnog stanja na motoru 1. Za taj slučaj, prikaz projekcije momenata τ_x i τ_y na ravninu $T = mg$, predočen je slikom 4.5. Slučaj kvarnog stanja s istovremenim kvarom motora 1 i 2, projekcija momenata τ_x i τ_y na ravninu $T = mg$ predočena je slikom 4.6.



Slika 4.4 – Oktokopter: projekcija momenata τ_x , τ_y u ravnini $T = mg$.



Slika 4.5 – Oktokopter: projekcija momenata τ_x i τ_y na ravninu $T = mg$, za slučaj nastanka kvarnog stanja na motoru 1.



Slika 4.6 – Oktokopter: projekcija momenata τ_x i τ_y na ravninu $T = mg$ za slučaj nastanka kvarnog stanja na motorima 1 i 2.

Kako se može uočiti sa slika 4.5 i 4.6, u odnosu na početni skup vrijednosti upravljačke varijable (slika 4.4), dolazi do smanjenja područja vrijednosti upravljačke varijable za momente τ_x i τ_y . Ovisno o tome je li došlo do nastanka jednostrukog, dvostrukog ili višestrukog kvarnog stanja, doći će do manjeg ili većeg smanjenja početnog područja vrijednosti upravljačke varijable. Oblik područja vrijednosti upravljačke varijable ovisit će o kombinaciji i intenzitetu nastalih kvarnih stanja. Ovisno o obliku novonastalog područja vrijednosti upravljačke varijable, neki ili svi planirani manevri neće se moći izvesti, odnosno postoji mogućnost da sustav neće biti u stanju dosegnuti točku lebdenja i stajati u njoj. Predočena područja vrijednosti upravljačke varijable samo su informativnog karaktera, da bi se razumjelo kako svaki pogonski motor ima drugačiji utjecaj na generiranje sile potiska T i momenata τ_x , τ_y i τ_z .

4.2 Postupak određivanja upravljivosti ovisno o tipu kvarnog stanja

Da bi se provjerilo je li sustav u stanju dosegnuti točku lebdenja te u njoj stajati, za slučaj jednostrukog dvostrukog ili višestrukog kvara, potrebno je definirati postupak kojim će se izvršiti provjera mogućnosti dosezanja točke lebdenja. Mogućnost dosezanja te točke nazvati ćemo **upravljivost**, a ako je sustav pri tome u stanju u njoj zadržati i sve referentne koordinate onda ćemo reći da je sustav i **stabiliziran**. Zadatak je regulatora, u našem slučaju upravljačke

alokacije, da proračuna (ako je moguće) brzine vrtnje motora Ω_s kojima će se postići referentna sila potiska i momenti kako bi se dosegla bilo koja točka u trodimenzionalnom radnom prostoru, koju zada planer gibanja. Zadatak je upravljačke alokacije odrediti preslikavanje D_u . Drugim riječima upravljačka alokacija određuje na koji je način potrebno alocirati raspoložive pogonske motore u sustavu kako bi dosegli referentnu silu potiska i momente zakreta. Problem koji je inherentno prisutan kod sustava koji imaju veći broj upravljačkih aktuatora nego je neophodno (za slučaj letjelica koje imaju paran broj motora u planarnoj konfiguraciji tj. $2n$ motora, gdje je $n > 2$), jest taj da se referentna sila potiska i momenti mogu realizirati preko beskonačnog broja različitih kombinacija kutnih brzina motora. Za potrebe određivanja barem jedne moguće kombinacije kojom će se realizirati referentna sila potiska i momenti te sustav letjelice voditi ka točki lebdenja, odnosno ka referentnom upravljanju $u_{ref} = A\Omega_s$, ($0 \leq \Omega_s \leq \omega_{max}^2$), dani ćemo problem predočiti kao problem minimizacije. Ako definiramo **optimizacijski okvir** tako da se kao problem optimizacije proračunava minimalno odstupanje (po mogućnosti da bude jednako nuli) između referentnog u_{ref} i ostvarenog upravljanja u , te ako za optimizacijsku varijablu odaberemo brzine vrtnje motora Ω_s , tada bi minimizacija odredila optimalnu brzinu vrtnje svih pogonskih motora za postizanje referentnog upravljanja. Kao optimalno rješenje bi dobili Ω_s^* , gdje bi se minimizirao kvadrat pogreške između referentnog upravljanja u_{ref} i postignutog upravljanja pomoću brzine vrtnje motora $u = A\Omega_s$ kao:

$$e_p = u_{ref} - A\Omega_s. \quad (4.2)$$

Ovime se problem pronalaženja potrebne sile uzgona i momenata svodi na problem optimizacije, odnosno minimizacije pogreške e_p s obzirom na raspoložive pogonske motore te njihova ograničenja ($0 \leq \Omega_s \leq \omega_{max}^2$). Problem optimizacije može se definirati na sljedeći način:

$$\Omega_s^* = \underset{0 \leq \Omega_s \leq \omega_{max}^2}{\operatorname{argmin}} (\|e_p\|^2) = \underset{0 \leq \Omega_s \leq \omega_{max}^2}{\operatorname{argmin}} (\|u_{ref} - A\Omega_s\|^2), \quad (4.3)$$

pri čemu je referentno upravljanje definirano kao $u_{ref} = [mg \ 0 \ 0 \ 0]^T$. Za ovako definiran problem optimizacije, moguća su sljedeća tri slučaja:

1. Ako rješenje ne postoji, tada se točka lebdenja ne može doseći, pa prema tome sustav nije niti upravljiv niti stabilan za dopustivo područje upravljačke varijable.
2. Ako rješenje postoji te se pri tome dobije da je $e_p = [0 \ 0 \ 0 \ 0]^T$, onda je dosezanje točke lebdenja izvedivo te je sustav upravljiv i stabiliziran uz dopustive vrijednosti upravljačke varijable.
3. Ako rezultat minimizacije postoji, ali pogreška odstupanja ima vrijednosti pojedinih komponenta pogreške koje nisu jednake nuli, tada mogu nastupiti sljedeća dva slučaja:
 - (a) Potrebno je ponoviti optimizaciju pri čemu vrijednost referentnog upravljanja treba

postaviti na $u_{ref} = [T \quad \tau_x \quad \tau_y]^T = [mg \quad 0 \quad 0]^T$. Ako ponovljenom optimizacijom dobijemo da je iznos pogreške $e_p = [0 \quad 0 \quad 0]^T$, tada je moguće sustav dovesti u točku lebdenja, ali će se sustav vrtjeti oko Z-osi. Za ovaj slučaj kažemo da je sustav upravljiv, ali nije stabiliziran.

- (b) Ako ponovljenom optimizacijom dobijemo da iznos pogreške e_p nema nulte vrijednosti, tada se za sve pojedinačne komponente dobiva rješenje koje je najbliže izvedivom, te njegovom analizom možemo utvrditi koja od pojedinih komponenata vektorski definirane pogreške e_p nije jednaka nuli, odnosno moguće je zaključiti koja pojedina komponenta nije zadovoljena. Znajući iznose pojedinih komponenata vektora pogreške e_p može se zaključiti hoće li doći do pada letjelice (ako je $T < mg$) ili do njezina dodatnog podizanja (ako je $T > mg$) ili će doći do rotacije sustava letjelice oko pojedinačnih osi u pozitivnom ili negativnom smjeru u ovisnosti od predznaka pojedinih komponenata vektora pogreške.

Na osnovi zapažanja koje ćemo dobiti nakon provedbe opisanog postupka na sustavu letjelica s parnim brojem motora postavljenim u planarnoj konfiguraciji, izvest ćemo zaključke koja se kvarna stanja mogu dogoditi na konkretnom tipu letjelice te je li za razmatrano kvarno stanje moguć nastavak planirane misije ili se ona mora prekinuti. Dobivene ćemo rezultate usporediti s rezultatima koji postoje u literaturi (*engl.* state of the art).

4.3 Analiza upravljivosti kvadkoptera, heksakoptera i oktokoptera s obzirom na nastanak kvarnog stanja

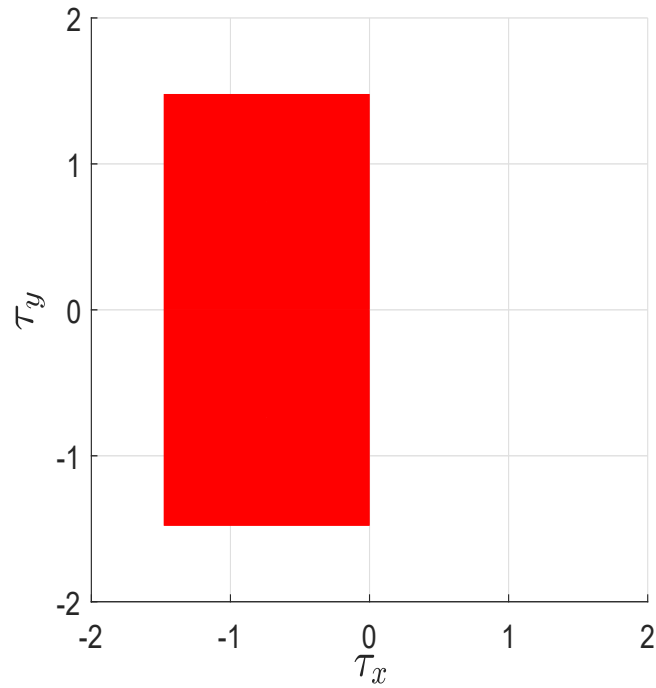
4.3.1 Kvadkopter

Kvadkopter na kojem će se provesti analiza upravljivosti ima sljedeće parametre [64]: $m_o = 1.32$ [kg], $l = 0.211$ [m], $I_{xx} = I_{yy} = 0.0128$ [kgm²], $I_{zz} = 0.0239$ [kgm²], $I_{zzm} = 4.3 \cdot 10^{-5}$ [kgm²], $b = 9.9865 \cdot 10^{-6}$ [$\frac{Ns^2}{rad^2}$], $d = 1.5978 \cdot 10^{-7}$ [$\frac{Nms^2}{rad^2}$], $\omega_{max} = 840$ [rad/s]. Rješavanjem optimizacijskog problema definiranog jednadžbom (4.3) za slučaj kvadkoptera kod kojeg su svi pogonski motori ispravni, uz uvjet da su referentna sila uzgona i momenti dani s $u_{ref} = [T \quad \tau]^T = [mg \quad 0 \quad 0 \quad 0]^T$, dobivamo: $\omega_1 = \omega_2 = \omega_3 = \omega_4 = 569.35$ [rad/s]. i pri tome je $e_p = [0 \quad 0 \quad 0 \quad 0]^T$. To znači da je moguće doseći točku lebdenja i stabilizirati kvadkopter u dosegnutoj poziciji i orijentaciji. Razmotrimo sada slučaj gdje na sustavu kvadkoptera može doći do jednostrukog kvara na pogonskim motorima. Primjenom definiranog optimizacijskog okvira dobivaju se rezultati prikazani u tablici 4.1.

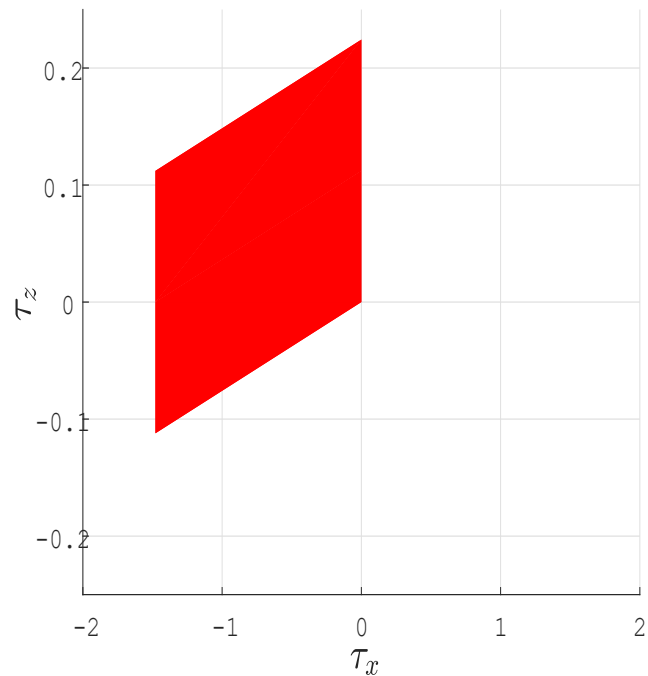
Tablica 4.1 – Kvadkopter: analiza upravljivosti za slučaj nastanka jednostrukog kvara.

Kvar	$e_p = u_{ref} - A\Omega_s$
Motor 1	$\begin{bmatrix} 0.0 & -0.03 & 0.0 & 0.21 \end{bmatrix}^T$
Motor 2	$\begin{bmatrix} 0.0 & 0.0 & 0.03 & -0.21 \end{bmatrix}^T$
Motor 3	$\begin{bmatrix} 0.0 & 0.03 & 0.0 & 0.21 \end{bmatrix}^T$
Motor 4	$\begin{bmatrix} 0.0 & 0.0 & -0.03 & -0.21 \end{bmatrix}^T$

Svi pojedinačni slučajevi nastanka jednostrukog kvarnog stanja prikazani su crvenom bojom u tablici 4.1. Kako je vidljivo iz dobivene tablice, kvadkopter se ne može stabilizirati u točki lebdenja niti za jedan slučaj jednostrukog kvara. Radi boljeg razumijevanja dobivenih rezultata, razmotrimo rezultate dobivene za slučaj kvarnog stanja na motoru jedan gdje je $e_p = [0 \quad -0.03 \quad 0 \quad 0.21]^T$. Za razmatrani slučaj kvadkopter bi mogao dosegnuti referentnu visinu, međutim u dosegnutoj točki bi bila izražena blaga rotacija oko X -osi u negativnom smjeru te intenzivna rotacija oko Z -osi u pozitivnom smjeru. Predočimo dopušteni skup upravljačkih varijabli kvadkoptera za nastanak kvarnog stanja na motoru 1. Kako se može uočiti s prikazanih slika 4.7 i 4.8, moment oko X -osi može imati vrijednosti u opsegu $(-1.5, 0)$, dok moment oko Z -osi može imati vrijednosti u opsegu $(-0.12, 0.22)$. Oko X -osi uvijek je prisutan moment u negativnom smjeru vrtnje te se za minimalnu vrijednost momenta oko X -osi proračunava optimalna vrijednost za moment oko Z -osi. Dobiveni su rezultati očekivani i u skladu su sa stanjem u području. U radu [25] autor je pokazao da kvadkopter ne posjeduje redundantnu strukturu te da gubi upravljivost za slučaj potpunog gubitka jednog od motora. Na osnovi dobivene analize može se zaključiti sljedeće: ako je potrebno izvršiti misiju bespilotnom letjelicom prilikom koje je izražena vjerojatnost nastanka jednostrukog kvarnog stanja na pogonskom motoru, tada kvadkopter ne predstavlja pouzdanu strukturu za izvršenje misije.



Slika 4.7 – Kvakopter: projekcija momenata τ_x i τ_y na ravninu $T = mg$, za slučaj nastanka kvarnog stanja na motoru 1.



Slika 4.8 – Kvakopter: projekcija momenata τ_x i τ_z na ravninu $T = mg$, za slučaj nastanka kvarnog stanja na motoru 1.

4.3.2 Heksakopter

Razmotrit ćemo dvije strukture heksakoptera (heksakopter s PNPNP i PPNNPN smjerovima vrtnje pogonskih motora). Parametri razmatranog heksakoptera su: $m_o = 1.54 [kg]$, $l = 0.211 [m]$, $I_{xx} = I_{yy} = 0.0168 [kgm^2]$, $I_{zz} = 0.0308 [kgm^2]$, $I_{zzm} = 2 \cdot 10^{-5} [kgm^2]$, $b = 8.5485 \cdot 10^{-6} [\frac{Ns^2}{rad^2}]$, $d = 1.3678 \cdot 10^{-7} [\frac{Nms^2}{rad^2}]$, $\omega_{max} = 874 [rad/s]$. Prvo ćemo razmotriti upravljivost obiju struktura s ispravnim motorima, pri čemu je vektor referentnog upravljanja dan s $u_{ref} = [T \ \tau]^T = [mg \ 0 \ 0 \ 0]^T$. Rezultati provedene optimizacije dani su u tablici 4.2. Kako se može uočiti iz tablice 4.2 obje inačice heksakoptera posjeduju redundanciju s obzirom na pojavu jednostrukog kvarnog stanja. Kako su obje strukture heksakoptera otporne na pojavu kvarnog stanja za slučaj jednostrukog kvara, u nastavku ćemo razmotriti slučaj nastanka dvostrukog kvara na objema strukturama heksakoptera. Pored razmatranja mogućnosti dosezanja referentnog upravljanja u punom obliku $u_{ref} = [T \ \tau]^T = [mg \ 0 \ 0 \ 0]^T$ (lijeva strana tablica 4.3 i 4.4), razmotrit ćemo i slučaj kada je područje vrijednosti upravljačke varijable umanjeno (desna strana u tablicama 4.3 i 4.4) $u_{ref} = [T \ \tau_x \ \tau_y]^T = [mg \ 0 \ 0]^T$.

Tablica 4.2 – Heksakopter: Analiza upravljivosti za slučaj nastanka jednostrukog kvarnog stanja na pogonskim motorima za strukturu s PNPNP i PPNNPN smjerovima vrtnje pogonskih motora.

Kvar	e_p za PNPNP strukturu heksakoptera	e_p za PPNNPN strukturu heksakoptera
M1	$[0.0 \ 0.0 \ 0.0 \ 0.0]^T$	$[0.0 \ 0.0 \ 0.0 \ 0.0]^T$
M2	$[0.0 \ 0.0 \ 0.0 \ 0.0]^T$	$[0.0 \ 0.0 \ 0.0 \ 0.0]^T$
M3	$[0.0 \ 0.0 \ 0.0 \ 0.0]^T$	$[0.0 \ 0.0 \ 0.0 \ 0.0]^T$
M4	$[0.0 \ 0.0 \ 0.0 \ 0.0]^T$	$[0.0 \ 0.0 \ 0.0 \ 0.0]^T$
M5	$[0.0 \ 0.0 \ 0.0 \ 0.0]^T$	$[0.0 \ 0.0 \ 0.0 \ 0.0]^T$
M6	$[0.0 \ 0.0 \ 0.0 \ 0.0]^T$	$[0.0 \ 0.0 \ 0.0 \ 0.0]^T$

Razlog za definiranje umanjenog područja vrijednosti upravljačke varijable jest u sljedećem: za ovako definiran vektor referentne upravljačke veličine dopušta se proizvoljno rotiranje sustava letjelice oko Z-osi ali je pri tome očuvan zahtjev da ne postoji rotacija oko osi X i Y. Uvođenjem umanjenog područja vrijednosti upravljačke varijable može se postići stabilizacija letjelice oko osi X i Y uz dopuštenu vrtnju oko Z-osi i za slučaj nastanka takve vrste kvarnog stanja koja inače vodi do gubitka upravljivosti letjelice. Time se omogućuje izvršenje sigurnosnog prizemljenja

letjelice, pri čemu se sama letjelica i oprema na njoj mogu sačuvati od potencijalnog uništenja. Ono što je neophodno da bi se ova mogućnost mogla iskoristiti jest postojanje mehanizma otkrivanja nastanka dvostrukog kvarnog stanja, te potom izdavanja upravljačke naredbe za sigurnosno prizemljenje letjelice. Iz dobivenih podataka koji su prikazani u tablicama 4.3 i 4.4, može se uočiti da je za slučaj istovremenog nastanka kvarnog stanja na dva motora puna upravljivost heksakoptera očuvana samo u 20% slučajeva (zelena boja u lijevim stupcima tablica 4.3 i 4.4), a time i nastavak prvotno planirane misije, dok se u 60% slučajeva (zelena boja u desnim stupcima tablica 4.3 i 4.4) može izvesti sigurnosno prizemljenje heksakoptera uz uvjet da se zanemari upravljivost oko Z-osi.

Iz tablica 4.2, 4.3 i 4.4 uočljivo je da obje strukture heksakoptera posjeduju redundantnu strukturu u odnosu na kvarno stanje gubitka pogonskog motora, a da su prilično osjetljive na kvarno stanje gubitka dvaju pogonskih motora. Shodno iznesenome, za slučaj da treba izvršiti misiju višerotorskom bespilotnom letjelicom gdje postoji vjerojatnost nastanka kvarnog stanja na jednom pogonskom motoru i mala vjerojatnost nastanka kvarnog stanja na dva pogonska motora, tada heksakopter predstavlja pouzdanu strukturu za obavljanje misije. Statistički gledano obje inačice heksakoptera daju 100% pouzdanost u odnosu na mogućnost nastanka jednostrukog kvara. Međutim, za slučaj da je vjerojatnost za nastanak dvostrukog kvara prilikom obavljanja misije visoka, tada heksakopter ne predstavlja pouzdanu strukturu, jer samo u tri slučaja od mogućih petnaest (zelena boja u lijevim stupcima 4.3 i 4.4) može nastaviti izvršavanje misije dok u 60% slučajeva može izvršiti sigurnosno prizemljenje (zelena boja u desnim stupcima tablica 4.3 i 4.4). Također, niti jedna od razmatranih struktura nema prednost u odnosu na drugu. Zaključno, heksakopter predstavlja pouzdanu strukturu u odnosu na mogućnost nastanka jednostrukog kvarnog stanja, odnosno posjeduje određenu razinu sigurnosti.

Tablica 4.3 – Heksakopter: Analiza upravljivosti za slučaj nastanka dvostrukog kvarnog stanja na pogonskim motorima strukturu s PNPNPN smjerovima vrtnje pogonskih motora.

Kvar	$e_p = [0 \ 0 \ 0 \ 0]^T$	$e_p = [0 \ 0 \ 0]^T$
M12	$[0.0 \ -0.44 \ 0.25 \ 0.0]^T$	$[0.0 \ -0.44 \ 0.25]^T$
M13	$[0.0 \ 0.0 \ 0.03 \ 0.13]^T$	$[0.0 \ 0.0 \ 0.0]^T$
M14	$[0.0 \ 0.0 \ 0.0 \ 0.0]^T$	$[0.0 \ 0.0 \ 0.0]^T$
M15	$[0.0 \ -0.2 \ 0.0 \ 0.12]^T$	$[0.0 \ 0.0 \ 0.0]^T$
M16	$[0.0 \ -0.6 \ -0.3 \ 0.0]^T$	$[0.0 \ -0.44 \ -0.25]^T$
M23	$[0.0 \ 0.0 \ 0.51 \ 0.0]^T$	$[0.0 \ 0.5 \ 0.0]^T$
M24	$[0.0 \ 0.24 \ 0.42 \ -0.13]^T$	$[0.0 \ 0.0 \ 0.0]^T$
M25	$[0.0 \ 0.0 \ 0.0 \ 0.0]^T$	$[0.0 \ 0.0 \ 0.0]^T$
M26	$[0.0 \ -0.04 \ 0.0 \ -0.12]^T$	$[0.0 \ 0.0 \ 0.0]^T$
M34	$[0.0 \ 0.64 \ 0.36 \ 0.0]^T$	$[0.0 \ 0.44 \ 0.25]^T$
M35	$[0.0 \ 0.04 \ 0.0 \ 0.12]^T$	$[0.0 \ 0.0 \ 0.0]^T$
M36	$[0.0 \ 0.0 \ 0.0 \ 0.0]^T$	$[0.0 \ 0.0 \ 0.0]^T$
M45	$[0.0 \ 0.04 \ -0.25 \ 0.12]^T$	$[0.0 \ 0.61 \ -0.35]^T$
M46	$[0.0 \ 0.02 \ -0.03 \ -0.12]^T$	$[0.0 \ 0.0 \ 0.0]^T$
M56	$[0.0 \ 0.0 \ -0.5 \ 0.0]^T$	$[0.0 \ 0.0 \ -0.51]^T$

Tablica 4.4 – Heksakopter: Analiza upravljivosti za slučaj nastanka kvarnog stanja na dva pogonska motora za strukturu s PPNNPN smjerovima vrtnje pogonskih motora.

Kvar	$e_p = \begin{bmatrix} 0 & 0 & 0 & 0 \end{bmatrix}^T$	$e_p = \begin{bmatrix} 0 & 0 & 0 \end{bmatrix}^T$
M12	$\begin{bmatrix} 0.0 & -0.43 & 0.27 & 0.18 \end{bmatrix}^T$	$\begin{bmatrix} 0.0 & -0.44 & 0.25 \end{bmatrix}^T$
M13	$\begin{bmatrix} 0.0 & 0.0 & 0.0 & 0.0 \end{bmatrix}^T$	$\begin{bmatrix} 0.0 & 0.0 & 0.0 \end{bmatrix}^T$
M14	$\begin{bmatrix} 0.0 & 0.0 & 0.0 & 0.0 \end{bmatrix}^T$	$\begin{bmatrix} 0.0 & 0.0 & 0.0 \end{bmatrix}^T$
M15	$\begin{bmatrix} 0.0 & 0.0 & -0.01 & 0.07 \end{bmatrix}^T$	$\begin{bmatrix} 0.0 & 0.0 & 0.0 \end{bmatrix}^T$
M16	$\begin{bmatrix} 0.0 & -0.44 & -0.25 & -0.15 \end{bmatrix}^T$	$\begin{bmatrix} 0.0 & -0.44 & -0.25 \end{bmatrix}^T$
M23	$\begin{bmatrix} 0.0 & 0.0 & 0.51 & 0.0 \end{bmatrix}^T$	$\begin{bmatrix} 0.0 & 0.0 & 0.5 \end{bmatrix}^T$
M24	$\begin{bmatrix} 0.0 & 0.0 & 0.0 & 0.0 \end{bmatrix}^T$	$\begin{bmatrix} 0.0 & 0.0 & 0.0 \end{bmatrix}^T$
M25	$\begin{bmatrix} 0.0 & 0.0 & 0.0 & 0.04 \end{bmatrix}^T$	$\begin{bmatrix} 0.0 & 0.0 & 0.0 \end{bmatrix}^T$
M26	$\begin{bmatrix} 0.0 & 0.0 & 0.0 & -0.05 \end{bmatrix}^T$	$\begin{bmatrix} 0.0 & 0.0 & 0.0 \end{bmatrix}^T$
M34	$\begin{bmatrix} 0.0 & 0.43 & 0.27 & -0.02 \end{bmatrix}^T$	$\begin{bmatrix} 0.0 & 0.44 & 0.25 \end{bmatrix}^T$
M35	$\begin{bmatrix} 0.0 & 0.0 & 0.0 & 0.05 \end{bmatrix}^T$	$\begin{bmatrix} 0.0 & 0.0 & 0.0 \end{bmatrix}^T$
M36	$\begin{bmatrix} 0.0 & 0.0 & 0.0 & -0.05 \end{bmatrix}^T$	$\begin{bmatrix} 0.0 & 0.0 & 0.0 \end{bmatrix}^T$
M45	$\begin{bmatrix} 0.0 & 0.44 & -0.25 & 0.14 \end{bmatrix}^T$	$\begin{bmatrix} 0.0 & 0.44 & -0.25 \end{bmatrix}^T$
M46	$\begin{bmatrix} 0.0 & 0.0 & 0.0 & -0.08 \end{bmatrix}^T$	$\begin{bmatrix} 0.0 & 0.0 & 0.0 \end{bmatrix}^T$
M56	$\begin{bmatrix} 0.0 & -0.51 & 0.0 & 0.0 \end{bmatrix}^T$	$\begin{bmatrix} 0.0 & 0.0 & -0.51 \end{bmatrix}^T$

4.3.3 Oktokopter

Razmatramo ponašanje dviju struktura oktokoptera (oktokoopera s PNPNP i PPNNPPNN smjerovima vrtnje pogonskih motora) za slučaj nastanka jednostrukih i dvostrukih kvarova. Oktokopteri koji se razmatraju posjeduju sljedeće parametre [65]: $m_o = 1.8$ [kg], $l = 0.211$ [m], $I_{xx} = I_{yy} = 0.0429$ [kgm²], $I_{zz} = 0.0748$ [kgm²], $I_{zzm} = 2 \cdot 10^{-5}$ [kgm²], $b = 8.5485 \cdot 10^{-6}$ [$\frac{Ns^2}{rad^2}$], $d = 1.3678 \cdot 10^{-7}$ [$\frac{Nms^2}{rad^2}$], $\omega_{max} = 874$ [rad/s]. Podaci dobiveni primjenom optimizacije za slučaj pojave jednostrukog kvarnog stanja na pogonskim motorima za obje strukture predočeni su s tablicom 4.5.

Tablica 4.5 – Oktokopter: Analiza upravljivosti za slučaj nastanka jednostrukog kvarnog stanja na pogonskim motorima za strukturu s PNPNPNP i PPNNPPNN smjerovima vrtnje pogonskih motora.

Kvar	e_p za PNPNPNP strukturu oktokoptera	e_p za PPNNPPNN strukturu oktokoptera
M1	$\begin{bmatrix} 0.0 & 0.0 & 0.0 & 0.0 \end{bmatrix}^T$	$\begin{bmatrix} 0.0 & 0.0 & 0.0 & 0.0 \end{bmatrix}^T$
M2	$\begin{bmatrix} 0.0 & 0.0 & 0.0 & 0.0 \end{bmatrix}^T$	$\begin{bmatrix} 0.0 & 0.0 & 0.0 & 0.0 \end{bmatrix}^T$
M3	$\begin{bmatrix} 0.0 & 0.0 & 0.0 & 0.0 \end{bmatrix}^T$	$\begin{bmatrix} 0.0 & 0.0 & 0.0 & 0.0 \end{bmatrix}^T$
M4	$\begin{bmatrix} 0.0 & 0.0 & 0.0 & 0.0 \end{bmatrix}^T$	$\begin{bmatrix} 0.0 & 0.0 & 0.0 & 0.0 \end{bmatrix}^T$
M5	$\begin{bmatrix} 0.0 & 0.0 & 0.0 & 0.0 \end{bmatrix}^T$	$\begin{bmatrix} 0.0 & 0.0 & 0.0 & 0.0 \end{bmatrix}^T$
M6	$\begin{bmatrix} 0.0 & 0.0 & 0.0 & 0.0 \end{bmatrix}^T$	$\begin{bmatrix} 0.0 & 0.0 & 0.0 & 0.0 \end{bmatrix}^T$
M7	$\begin{bmatrix} 0.0 & 0.0 & 0.0 & 0.0 \end{bmatrix}^T$	$\begin{bmatrix} 0.0 & 0.0 & 0.0 & 0.0 \end{bmatrix}^T$
M8	$\begin{bmatrix} 0.0 & 0.0 & 0.0 & 0.0 \end{bmatrix}^T$	$\begin{bmatrix} 0.0 & 0.0 & 0.0 & 0.0 \end{bmatrix}^T$

Iz dobivene je tablice uočljivo da obje strukture oktokoptera s obzirom na pojavu jednostrukog kvarnog stanja na pogonskim motorima posjeduju redundantnu strukturu, odnosno njihov potencijal za nastavak misije je 100%. Analiza upravljivosti objiju struktura oktokoptera za slučaj nastanka dvostrukog kvarnog stanja, na dva pogonska motora dana je u tablicama 4.6 i 4.7. Kako se može uočiti iz dobivenih tablica, klasična struktura oktokoptera s PNPNPNP smjerovima vrtnje motora u 28% slučajeva gubi upravljivost uslijed nastanka dvostrukog kvarnog stanja na pogonskim motorima (crveni stupci u lijevom dijelu tablice 4.6), dok je za slučaj da se treba izvršiti sigurnosno prizemljenje letjelice dana struktura oktokoptera pouzdana u 100% slučajeva (zeleni stupci u desnom dijelu tablice 4.6), odnosno sustav ne posjeduje neupravljivo stanje. Ova analiza zapravo pokazuje da struktura oktokoptera s PNPNPNP smjerovima vrtnje motora posjeduje potencijal od 72% (zeleni stupci u lijevom dijelu tablice 4.6) za nastavak misije za slučaj nastanka dvostrukog kvarnog stanja na pogonskim motorima i potencijal od 100% za slučaj da je neophodno izvršiti sigurnosno prizemljenje letjelice. Kod oktokoptera koji posjeduje strukturu s PPNNPPNN smjerovima vrtnje pogonskih motora, upravljivost letjelice za slučaj nastanka dvostrukog kvarnog stanja na pogonskim motorima narušena je u 14% slučajeva (crveni stupci u lijevom dijelu tablice 4.7), dok se sigurnosno prizemljenje može izvršiti u 100% slučajeva (zeleni stupci u desnom dijelu tablice 4.7). Ovo praktički znači da oktokopter koji posjeduje strukturu s PPNNPPNN smjerovima vrtnje motora ima potencijal da u 86% slučajeva nastavi izvršavanje započete misije, dok za slučaj da je neophodno izvršiti sigurnosno prizemljenje to može izvršiti u 100% slučajeva, pod uvjetom da posjeduje mehanizam koji može identificirati nastanak opisanog kvarnog stanja. Rezultati dobiveni provedenom analizom su skoro identični rezultatima koji su dobiveni u radu [27]. Ovom je analizom pokazano da pažljivim odabirom

strukture letjelice (kvadkopter, heksakopter ili oktokopter) kao i smjerova vrtnje pojedinačnih pogonskih motora, možemo utjecati na vjerojatnost izvršenja misije s obzirom na vjerojatnost nastanka različitih kombinacija jednostrukog ili dvostrukog kvara tijekom izvršavanja misije. Primjera radi, ako je vjerojatnost nastanka jednostrukog kvara visoka ali pri tom nije visoka i vjerojatnost dvostrukog kvara, tada ravnopravno možemo koristiti bilo koju strukturu heksakoptera ili oktokoptera, dok kvadkopter nije pogodan za takav tip misije. Za slučaj gdje je vjerojatnost nastanka dvostrukog kvara visoka tada je najbolje koristiti oktokopter koji posjeduje strukturu s PPNPPNN smjerovima vrtnje pogonskih motora.

Provedena se analiza može poopćiti za bilo koji oblik višerotorskog sustava koji posjeduje paran broj motora ($2n, n \geq 2$) postavljenih u planarnoj konfiguraciji. Za potrebe provođenja analize neophodno je znati parametre strukture koja se razmatra kao i smjerove vrtnje svakog pojedinačnog motora jer od toga ovise vrijednosti matrice aktuacije A . Na ranije opisani način se mogu razmatrati i trostruki ili četverostruki kvarovi ali je njihova vjerojatnost nastanka znatno manja nego jednostrukih ili dvostrukih kvarova, tako da nisu ni razmatrani u ovoj analizi.

Kako bi se razmatrani potencijal za nastavak misije mogao iskoristiti neophodan nam je mehanizam pomoću koga bi se mogao otkriti nastanak kvarnog stanja. Pored toga potrebno nam je i upravljanje koje je u stanju iskoristiti informaciju o nastanku kvara, s obzirom na lokaciju i intenzitet nastalog kvara, te tako eliminirati posljedicu nastalog kvara, ako je to moguće.

Tablica 4.6 – Oktokopter: Analiza upravljivosti za slučaj nastanka dvostrukog kvara za strukturu s PNPNPNP smjerovima vrtnje pogonskih motora.

Kvar	$e_p = \begin{bmatrix} 0 & 0 & 0 & 0 \end{bmatrix}^T$	$e_p = \begin{bmatrix} 0 & 0 & 0 \end{bmatrix}^T$
M12	$\begin{bmatrix} 0.0 & 0.0 & 0.0 & 0.0 \end{bmatrix}^T$	$\begin{bmatrix} 0.0 & 0.0 & 0.0 \end{bmatrix}^T$
M13	$\begin{bmatrix} 0.0 & 0.0 & 0.0 & 0.01 \end{bmatrix}^T$	$\begin{bmatrix} 0.0 & 0.0 & 0.0 \end{bmatrix}^T$
M14	$\begin{bmatrix} 0.0 & 0.0 & 0.0 & 0.0 \end{bmatrix}^T$	$\begin{bmatrix} 0.0 & 0.0 & 0.0 \end{bmatrix}^T$
M15	$\begin{bmatrix} 0.0 & 0.0 & 0.0 & 0.0 \end{bmatrix}^T$	$\begin{bmatrix} 0.0 & 0.0 & 0.0 \end{bmatrix}^T$
M16	$\begin{bmatrix} 0.0 & 0.0 & 0.0 & 0.0 \end{bmatrix}^T$	$\begin{bmatrix} 0.0 & 0.0 & 0.0 \end{bmatrix}^T$
M17	$\begin{bmatrix} 0.0 & 0.0 & 0.0 & 0.01 \end{bmatrix}^T$	$\begin{bmatrix} 0.0 & 0.0 & 0.0 \end{bmatrix}^T$
M18	$\begin{bmatrix} 0.0 & 0.0 & 0.0 & 0.0 \end{bmatrix}^T$	$\begin{bmatrix} 0.0 & 0.0 & 0.0 \end{bmatrix}^T$
M23	$\begin{bmatrix} 0.0 & 0.0 & 0.0 & 0.0 \end{bmatrix}^T$	$\begin{bmatrix} 0.0 & 0.0 & 0.0 \end{bmatrix}^T$
M24	$\begin{bmatrix} 0.0 & 0.0 & 0.0 & -0.01 \end{bmatrix}^T$	$\begin{bmatrix} 0.0 & 0.0 & 0.0 \end{bmatrix}^T$
M25	$\begin{bmatrix} 0.0 & 0.0 & 0.0 & 0.0 \end{bmatrix}^T$	$\begin{bmatrix} 0.0 & 0.0 & 0.0 \end{bmatrix}^T$
M26	$\begin{bmatrix} 0.0 & 0.0 & 0.0 & 0.0 \end{bmatrix}^T$	$\begin{bmatrix} 0.0 & 0.0 & 0.0 \end{bmatrix}^T$
M27	$\begin{bmatrix} 0.0 & 0.0 & 0.0 & 0.0 \end{bmatrix}^T$	$\begin{bmatrix} 0.0 & 0.0 & 0.0 \end{bmatrix}^T$
M28	$\begin{bmatrix} 0.0 & 0.0 & 0.0 & 0.01 \end{bmatrix}^T$	$\begin{bmatrix} 0.0 & 0.0 & 0.0 \end{bmatrix}^T$
M34	$\begin{bmatrix} 0.0 & 0.0 & 0.0 & 0.0 \end{bmatrix}^T$	$\begin{bmatrix} 0.0 & 0.0 & 0.0 \end{bmatrix}^T$
M35	$\begin{bmatrix} 0.0 & 0.0 & 0.0 & 0.01 \end{bmatrix}^T$	$\begin{bmatrix} 0.0 & 0.0 & 0.0 \end{bmatrix}^T$
M36	$\begin{bmatrix} 0.0 & 0.0 & 0.0 & 0.0 \end{bmatrix}^T$	$\begin{bmatrix} 0.0 & 0.0 & 0.0 \end{bmatrix}^T$
M37	$\begin{bmatrix} 0.0 & 0.0 & 0.0 & 0.0 \end{bmatrix}^T$	$\begin{bmatrix} 0.0 & 0.0 & 0.0 \end{bmatrix}^T$
M37	$\begin{bmatrix} 0.0 & 0.0 & 0.0 & 0.0 \end{bmatrix}^T$	$\begin{bmatrix} 0.0 & 0.0 & 0.0 \end{bmatrix}^T$
M45	$\begin{bmatrix} 0.0 & 0.0 & 0.0 & 0.0 \end{bmatrix}^T$	$\begin{bmatrix} 0.0 & 0.0 & 0.0 \end{bmatrix}^T$
M46	$\begin{bmatrix} 0.0 & 0.0 & 0.0 & -0.01 \end{bmatrix}^T$	$\begin{bmatrix} 0.0 & 0.0 & 0.0 \end{bmatrix}^T$
M47	$\begin{bmatrix} 0.0 & 0.0 & 0.0 & 0.0 \end{bmatrix}^T$	$\begin{bmatrix} 0.0 & 0.0 & 0.0 \end{bmatrix}^T$
M48	$\begin{bmatrix} 0.0 & 0.0 & 0.0 & 0.0 \end{bmatrix}^T$	$\begin{bmatrix} 0.0 & 0.0 & 0.0 \end{bmatrix}^T$
M56	$\begin{bmatrix} 0.0 & 0.0 & 0.0 & 0.0 \end{bmatrix}^T$	$\begin{bmatrix} 0.0 & 0.0 & 0.0 \end{bmatrix}^T$
M57	$\begin{bmatrix} 0.0 & 0.0 & 0.0 & 0.01 \end{bmatrix}^T$	$\begin{bmatrix} 0.0 & 0.0 & 0.0 \end{bmatrix}^T$
M58	$\begin{bmatrix} 0.0 & 0.0 & 0.0 & 0.0 \end{bmatrix}^T$	$\begin{bmatrix} 0.0 & 0.0 & 0.0 \end{bmatrix}^T$
M67	$\begin{bmatrix} 0.0 & 0.0 & 0.0 & 0.0 \end{bmatrix}^T$	$\begin{bmatrix} 0.0 & 0.0 & 0.0 \end{bmatrix}^T$
M68	$\begin{bmatrix} 0.0 & 0.0 & 0.0 & -0.01 \end{bmatrix}^T$	$\begin{bmatrix} 0.0 & 0.0 & 0.0 \end{bmatrix}^T$
M78	$\begin{bmatrix} 0.0 & 0.0 & 0.0 & 0.0 \end{bmatrix}^T$	$\begin{bmatrix} 0.0 & 0.0 & 0.0 \end{bmatrix}^T$

Tablica 4.7 – Oktokopter: Analiza upravljivosti za slučaj nastanka dvostrukog kvara za strukturu s PPNNPPNN smjerovima vrtnje pogonskih motora.

Kvar	$e_p = \begin{bmatrix} 0 & 0 & 0 & 0 \end{bmatrix}^T$	$e_p = \begin{bmatrix} 0 & 0 & 0 \end{bmatrix}^T$
M12	$\begin{bmatrix} 0.0 & 0.0 & 0.0 & 0.13 \end{bmatrix}^T$	$\begin{bmatrix} 0.0 & 0.0 & 0.0 \end{bmatrix}^T$
M13	$\begin{bmatrix} 0.0 & 0.0 & 0.0 & 0.0 \end{bmatrix}^T$	$\begin{bmatrix} 0.0 & 0.0 & 0.0 \end{bmatrix}^T$
M14	$\begin{bmatrix} 0.0 & 0.0 & 0.0 & 0.0 \end{bmatrix}^T$	$\begin{bmatrix} 0.0 & 0.0 & 0.0 \end{bmatrix}^T$
M15	$\begin{bmatrix} 0.0 & 0.0 & 0.0 & 0.0 \end{bmatrix}^T$	$\begin{bmatrix} 0.0 & 0.0 & 0.0 \end{bmatrix}^T$
M16	$\begin{bmatrix} 0.0 & 0.0 & 0.0 & 0.0 \end{bmatrix}^T$	$\begin{bmatrix} 0.0 & 0.0 & 0.0 \end{bmatrix}^T$
M17	$\begin{bmatrix} 0.0 & 0.0 & 0.0 & 0.0 \end{bmatrix}^T$	$\begin{bmatrix} 0.0 & 0.0 & 0.0 \end{bmatrix}^T$
M18	$\begin{bmatrix} 0.0 & 0.0 & 0.0 & 0.0 \end{bmatrix}^T$	$\begin{bmatrix} 0.0 & 0.0 & 0.0 \end{bmatrix}^T$
M23	$\begin{bmatrix} 0.0 & 0.0 & 0.0 & 0.0 \end{bmatrix}^T$	$\begin{bmatrix} 0.0 & 0.0 & 0.0 \end{bmatrix}^T$
M24	$\begin{bmatrix} 0.0 & 0.0 & 0.0 & 0.0 \end{bmatrix}^T$	$\begin{bmatrix} 0.0 & 0.0 & 0.0 \end{bmatrix}^T$
M25	$\begin{bmatrix} 0.0 & 0.0 & 0.0 & 0.0 \end{bmatrix}^T$	$\begin{bmatrix} 0.0 & 0.0 & 0.0 \end{bmatrix}^T$
M26	$\begin{bmatrix} 0.0 & 0.0 & 0.0 & 0.0 \end{bmatrix}^T$	$\begin{bmatrix} 0.0 & 0.0 & 0.0 \end{bmatrix}^T$
M27	$\begin{bmatrix} 0.0 & 0.0 & 0.0 & 0.0 \end{bmatrix}^T$	$\begin{bmatrix} 0.0 & 0.0 & 0.0 \end{bmatrix}^T$
M28	$\begin{bmatrix} 0.0 & 0.0 & 0.0 & 0.0 \end{bmatrix}^T$	$\begin{bmatrix} 0.0 & 0.0 & 0.0 \end{bmatrix}^T$
M34	$\begin{bmatrix} 0.0 & 0.01 & 0.02 & -0.13 \end{bmatrix}^T$	$\begin{bmatrix} 0.0 & 0.0 & 0.0 \end{bmatrix}^T$
M35	$\begin{bmatrix} 0.0 & 0.0 & 0.0 & 0.0 \end{bmatrix}^T$	$\begin{bmatrix} 0.0 & 0.0 & 0.0 \end{bmatrix}^T$
M36	$\begin{bmatrix} 0.0 & 0.0 & 0.0 & 0.0 \end{bmatrix}^T$	$\begin{bmatrix} 0.0 & 0.0 & 0.0 \end{bmatrix}^T$
M37	$\begin{bmatrix} 0.0 & 0.0 & 0.0 & 0.0 \end{bmatrix}^T$	$\begin{bmatrix} 0.0 & 0.0 & 0.0 \end{bmatrix}^T$
M37	$\begin{bmatrix} 0.0 & 0.0 & 0.0 & 0.0 \end{bmatrix}^T$	$\begin{bmatrix} 0.0 & 0.0 & 0.0 \end{bmatrix}^T$
M45	$\begin{bmatrix} 0.0 & 0.0 & 0.0 & 0.0 \end{bmatrix}^T$	$\begin{bmatrix} 0.0 & 0.0 & 0.0 \end{bmatrix}^T$
M46	$\begin{bmatrix} 0.0 & 0.0 & 0.0 & 0.0 \end{bmatrix}^T$	$\begin{bmatrix} 0.0 & 0.0 & 0.0 \end{bmatrix}^T$
M47	$\begin{bmatrix} 0.0 & 0.0 & 0.0 & 0.0 \end{bmatrix}^T$	$\begin{bmatrix} 0.0 & 0.0 & 0.0 \end{bmatrix}^T$
M48	$\begin{bmatrix} 0.0 & 0.0 & 0.0 & 0.0 \end{bmatrix}^T$	$\begin{bmatrix} 0.0 & 0.0 & 0.0 \end{bmatrix}^T$
M56	$\begin{bmatrix} 0.0 & 0.02 & -0.01 & 0.13 \end{bmatrix}^T$	$\begin{bmatrix} 0.0 & 0.0 & 0.0 \end{bmatrix}^T$
M57	$\begin{bmatrix} 0.0 & 0.0 & 0.0 & 0.0 \end{bmatrix}^T$	$\begin{bmatrix} 0.0 & 0.0 & 0.0 \end{bmatrix}^T$
M58	$\begin{bmatrix} 0.0 & 0.0 & 0.0 & 0.0 \end{bmatrix}^T$	$\begin{bmatrix} 0.0 & 0.0 & 0.0 \end{bmatrix}^T$
M67	$\begin{bmatrix} 0.0 & 0.0 & 0.0 & 0.0 \end{bmatrix}^T$	$\begin{bmatrix} 0.0 & 0.0 & 0.0 \end{bmatrix}^T$
M68	$\begin{bmatrix} 0.0 & 0.0 & 0.0 & 0.0 \end{bmatrix}^T$	$\begin{bmatrix} 0.0 & 0.0 & 0.0 \end{bmatrix}^T$
M78	$\begin{bmatrix} 0.0 & -0.01 & -0.03 & -0.13 \end{bmatrix}^T$	$\begin{bmatrix} 0.0 & 0.0 & 0.0 \end{bmatrix}^T$

Poglavlje 5

Upravljanje otporno na kvarna stanja

Kako je već rečeno u 4. poglavlju, bez obzira što razmatrani sustav bespilotne letjelice posjeduje dodatne aktuatore, a time i potencijal za nastavak misije, neophodan je mehanizam pomoću kojega bi se mogao otkriti nastanak kvarnog stanja. Pored toga, potrebno je i upravljanje koje je u stanju iskoristiti informaciju o nastanku kvarnog stanja, s obzirom na lokaciju i intenzitet nastalog kvarnog stanja, te tako eliminirati posljedicu nastalog kvarnog stanja, ako je to moguće. Zbog toga je u ovom poglavlju ukratko prezentirano područje upravljanja otpornog na kvarna stanja (*engl.* Fault-tolerant control), od kratkog pregleda povijesnog razvoja do objašnjenja osnovne terminologije koja se koristi u području upravljanja otpornog na kvarna stanja. Također, opisana je procedura projektiranja jednostavnog PD regulatora koji kombiniranjem s metodom koja za identifikaciju i izolaciju nastalog kvarnog stanja (zasnovana na metodi najmanjih kvadrata) tvori regulator otporan na nastanak kvarnog stanja. Procedura je publicirana u radu [63].

5.1 Povijesni razvoj upravljanja otpornog na kvarna stanja

Razvoj upravljanja otpornog na kvarna stanja potaknut je nizom industrijskih i zrakoplovnih nesreća koje su se dogodile tijekom prošloga stoljeća. Neke od nesreća koje su imale pogubne posljedice po ljudske živote i okoliš su: curenje radioaktivnog materijala na drugom reaktoru nuklearne elektrane “Three miles island” [66], nuklearne nesreće u Černobilu [67] i Fokušimi [68] te veći broj zrakoplovnih nesreća [69] koje su za posljedicu imale gubitak ljudskih života, a čiji uzroci nisu bili ljudski faktor nego otkazivanje pojedinih dijelova sustava. U radovima [70] i [71] navodi se da je većina zrakoplovnih nesreća povezana s gubljenjem upravljivosti letjelica tijekom leta. Zbog navedenih razloga jako je bitno da je upravljački sustav u stanju prepoznati da je došlo do nastanka kvarnog stanja, te da se potom pokuša s nastalim kvarnim stanjem izboriti u optimalnom smislu, tako da se sustavom nastavi upravljati na siguran način, naravno uz smanjenje njegovih performansi.

Interes za područje upravljanja otpornog na kvarna stanja porastao je ranih sedamdesetih

godina prošlog stoljeća u kemijskoj industriji. Razvijene su različite metode koje su dobile zajednički termin "otkrivanje i lokalizacija kvarnog stanja zasnovane na matematičkom modelu". Teorija u području upravljanja otpornog na kvarna stanja, kao i zaključci koji su izvedeni iz teorije upravljanja otpornog na kvarna stanja, preuzeti su i dorađeni od zrakoplovne-industrije. Tako je u zrakoplovnoj industriji uveden pojam "fizička redundancija", koja podrazumijeva istovremeno mjerenje varijabli od interesa (visina, tlak, brzina leta, nagib zrakoplova, stanje zakreta kormila i mnoge druge) više puta (najčešće tri ili četiri puta) s potpuno različitim mjernim tehnologijama, kako bi se spriječila mogućnost pojave istog kvarnog stanja na istom tipu senzora.

U području upravljanja otpornog na kvarna stanja za klasu linearnih sustava razvijeni su različiti pristupi i strategije za identifikaciju i lokalizaciju kvarnog stanja, kao što su pristupi zasnovani na obzerverima, parametarskoj estimaciji, jednadžbama pariteta, upotrebi Kalmanova filtra i sl. Ključne reference za klasu upravljanja otpornog na kvarna stanja kod linearnih sustava mogu se naći u radovima [69], [72], [73], [74], [75]. Također, za klasu nelinearnih sustava razvijene su metode zasnovane na matematičkom modelu [72], [76], [77], [78]. Za razliku od metoda koje se zasnivaju na točnom poznavanju matematičkog modela razvijene su i metode koje ne zahtijevaju matematički model. U te metode spadaju metode zasnovane na neuronskim mrežama [72] i neizravnoj logici [79]. Prednost tih metoda zasniva se na činjenici da nije nužno poznavati analitički model sustava kojim se želi upravljati. Dovoljno je poznavati samo veze između pojedinih dijelova sustava bez potrebe za znanjem analitičkog oblika podsustava. Kod takvog pristupa uzroci i posljedice nastanka kvarnog stanja mogu se lakše opisati.

Zadatak je upravljanja otpornog na kvarna stanja zadržati nazivno ponašanje sustava bez obzira na varijacije u parametrima sustava, a koje mogu biti posljedica kvarnoga stanja. Dobar pregled literature i osnovni koncepti upravljanja otpornog na kvarna stanja dani su u preglednom radu [80]. U radu je predložena i klasifikacija metoda za rekonfiguraciju upravljanja otpornog na kvarna stanja prikazane su matematičke metode te su navedeni alati koji se mogu koristiti.

5.2 Terminologija u području upravljanja otpornog na kvarna stanja

Budući da se područje upravljanja otpornog na kvarna stanja počelo intenzivnije razvijati tijekom sedamdesetih i osamdesetih godina prošloga stoljeća postojale su različite definicije kvarnih stanja i načina reagiranja na pojavu kvarnog stanja. S ciljem ujednačenja terminologije, IFAC-ov tehnički komitet SAFEPROCESS (*engl. IFAC Technical Committee: SAFEPROCESS Fault Detection, Supervision and Safety for Technical Processes*) pokrenuo je inicijativu za definiranje osnovnih termina u ovome području. Na tu je temu organiziran niz simpozija (Baden-Baden(1991), Helsinki (1994), Hull (1994), Budapest (2000), Washington(2003), Bejing (2006)) i radionica (Kyoto (1986), Newark (1992), Newcastle (1995), Folaize (1998), Cheju (2001)).

Revidirana inačica terminologije koja je nastala kao rezultat tih simpozija i radionica može se sažeti u sljedećem [74]:

- **Kvarno stanje** (*engl. Fault*) - “Predstavlja nedopušteno odstupanje najmanje jedne karakteristike stanja sustava iz prihvatljivog, uobičajenog, standardnog stanja”.
- **Otkaz** (*engl. Failure*) - “Trajni prekid sposobnosti sustava za izvođenje funkcija za koje je projektiran, pod specificiranim uvjetima rada”.
- **Neispravnost** (*engl. Malfunction*) - “Povremena nepravilnost u ostvarivanju željene funkcionalnosti rada sustava”.
- **Pouzdanost** (*engl. Reliability*) - “Sposobnost sustava za obavljanje projektirane funkcionalnosti pod željenim uvjetima, unutar zadanih okvira, tijekom određenog vremenskog razdoblja”.
- **Sigurnost** (*engl. Safety*) - “Sposobnost sustava da ne dovede u opasnost osobe, opremu ili okoliš” .
- **Dostupnost** (*engl. Availability*) - “Vjerojatnost da će sustav ili oprema raditi na zadovoljavajući način i učinkovito u određenom vremenskom razdoblju”.
- **Operativna pouzdanost** (*engl. Dependability*) - “Operativna pouzdanost predstavlja oblik pouzdanosti čije je svojstvo da je sustav uvijek dostupan kada je to potrebno (ali ne u bilo kojem trenutku)”.
- **Integritet** (*engl. Integrity*) - “Integritet sustava njegova je sposobnost za otkrivanje vlastitog kvarnog stanja i informiranje o tome operatera”.
- **Sigurnosni integritet** (*engl. Safety integrity*) - “Sigurnosni je integritet vjerojatnost sustavne sigurnosti (vezane uz zadovoljavajuće obavljanje tražene sigurnosne funkcionalnosti) pod svim navedenim uvjetima u određenom vremenskom razdoblju”.
- **Opasnost** (*engl. Hazard*) - “Neželjeno stanje sustava koje može prouzročiti potencijalne štete i nesreće, koje su nenamjerne ali mogu prouzročiti ozljede, smrt, materijalne štete ili zagađenje okoliša”.
- **Rizik** (*engl. Risk*) - “Predstavlja kombinaciju vjerojatnosti opasnosti i njene ozbiljnosti po operatere ili okoliš” .
- **Održavanje** (*engl. Maintainability*) - “Znanje koje je potrebno da bi se dijelovi sustava koji su u kvarnom stanju izmijenili kao i jednostavnost da se to uradi”.
- **Robusnost** (*engl. Robustness*) - “Sposobnost sustava da zadrži zadovoljavajuće performanse u slučaju pojave promjena parametara u sustavu”.
- **Otkrivanje nastanka kvarnog stanja** (*engl. Fault Detection*) - “Određivanje kvarnih stanja prisutnih u sustavu kao i točno vrijeme nastanka”.
- **Rezidual** (*engl. Residual*) - “Odstupanje između izmjerenih vrijednosti sustava i rezultata dobivenih na osnovi modela. Kad sustav nije u kvarnom stanju i rezidual je približno jednak nuli, a značajnije odstupa od nule pri pojavi kvarnog stanja”.

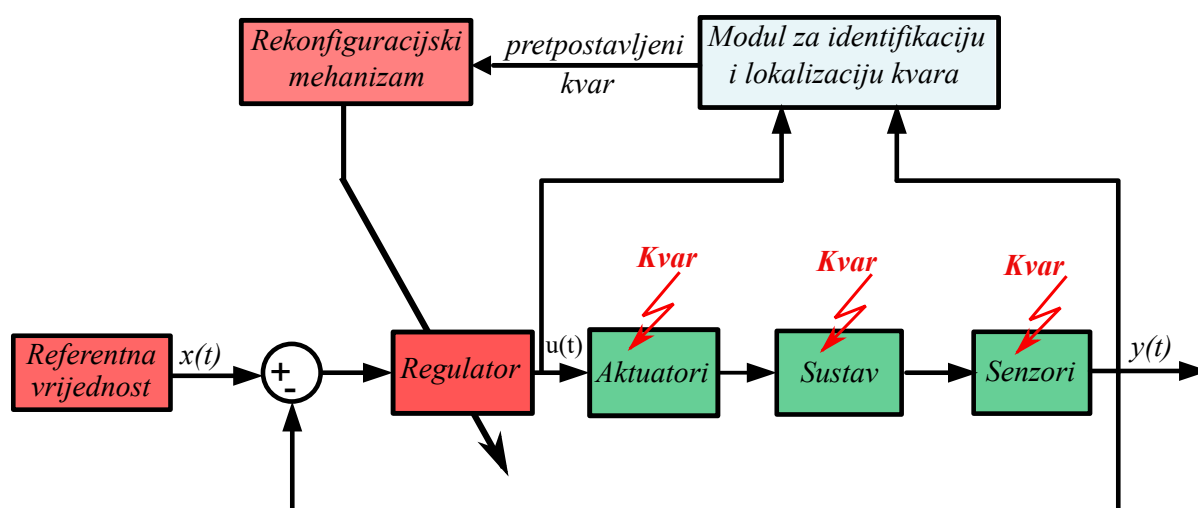
- **Lokalizacija mjesta nastanka kvarnog stanja** (*engl. Fault Isolation*) - “Određivanje lokacije i vremena nastanka te vrste kvarnog stanja. Slijedi otkrivanje kvarnog stanja”.
- **Identifikacija kvarnog stanja** (*engl. Fault Identification*) - “Određivanje veličine i ozbiljnosti nastalog kvarnog stanja, kao i njegove vremenske promjenjivosti. Slijedi lokalizaciju mjesta nastanka kvarnog stanja”.
- **Dijagnostika kvarnog stanja** (*engl. Fault Diagnosis*) - “Određivanje vrste, veličine, mjesta nastanka i vremena otkrivanja kvarnog stanja. Slijedi otkrivanje nastanka kvarnog stanja. Uključuje izoliranje mjesta nastanka i identifikaciju kvarnog stanja”.
- **Prilagodba na nastalo kvarno stanje** (*engl. Fault accommodation*) - “Promjena parametara ili strukture regulatora kako bi se izbjegle posljedice kvarnog stanja. Veza između regulatora i sustava ostaje nepromijenjena. Cilj je upravljanja ostvaren uz moguće smanjenje performansi sustava”.
- **Otpornost na kvarno stanje** (*engl. Fault tolerance*) - “Sposobnost sustava kojim se upravlja da zadrži cilj upravljanja unatoč pojavi kvarnog stanja, uz dopušteno smanjenje performansi”.

5.3 Pregled metoda dijagnostike kvarnih stanja i metoda upravljanja otpornih na njih

Standardna struktura sustava kojim je potrebno upravljati prikazana na slici 5.1. Kvarno stanje u sustavu može nastati na bilo kojoj komponenti sustava (aktuator, senzor, strukturalna komponenta ili bilo koja kombinacija navedenih komponenata) i u bilo koje vrijeme. S obzirom na navedeno, može se izvršiti klasifikacija kvarnih stanja po različitim kriterijima. Tako možemo govoriti o vremenskoj distribuciji i fizičkoj lokaciji kvarnih stanja ili o djelovanjima koje je kvarno stanje proizvelo u sustavu. Ako se radi o fizičkoj lokaciji nastanka kvarnog stanja [81] onda se kvarna stanja mogu razvrstati na:

- **Kvarno stanje na aktuatoru**, može biti zaglavljivanje (aktuator je zaglavljen u nekoj od pozicija i vrijednost mu se ne može promijeniti), djelomični ili potpuni otkaz upravljanja (aktuator reagira na upravljačke akcije ali sa smanjenom efektivnošću, dok kod potpunog otkaza aktuator više nema nikakve funkcionalnosti).
- **Kvarno stanje na senzoru**, podrazumijeva pogrešne ili nepostojeće mjerne vrijednosti, a koje su posljedica izgaranja na elektroničkim sklopovima senzora ili na pretvaraču.
- **Strukturalno kvarno stanje**, podrazumijeva kvarno stanje na samoj strukturi sustava kojim se upravlja, što dovodi do promjene u dinamici sustava pa upravljanje više nije optimalno podešeno ili može postati neodgovarajuće.

U ovoj se disertaciji razmatraju kvarna stanja koja nastaju na sustavu aktuatora, odnosno u



Slika 5.1 – Mehanizam rekonfiguracije kod aktivnih metoda upravljanja otpornog na kvarna stanja [72].

našem slučaju na pogonskim motorima.

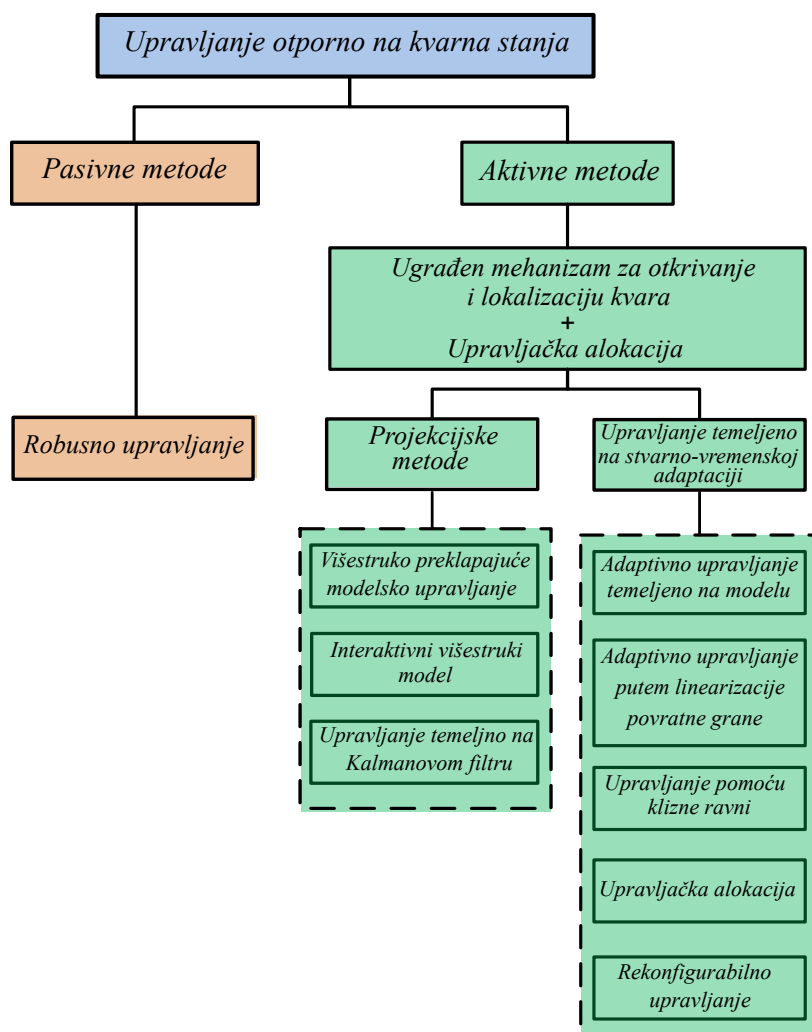
5.3.1 Podjela metoda upravljanja otpornog na kvarna stanja

Kod projektiranja sustava otpornog na kvarna stanja postoje dva pristupa, odnosno dvije grupe metoda [82]: (i) pasivne metode i (ii) aktivne metode, kako je prikazano na slici 5.2. Osnovna je odlika **pasivnih metoda** da se još tijekom projektiranja regulatora uzima u obzir nesigurnost modela sustava, odnosno regulator se projektira za cijelu klasu mogućih sustava. Osnovni je nedostatak pasivnih metoda da nisu u stanju izvršiti efektivno upravljanje [69], [72], [80].

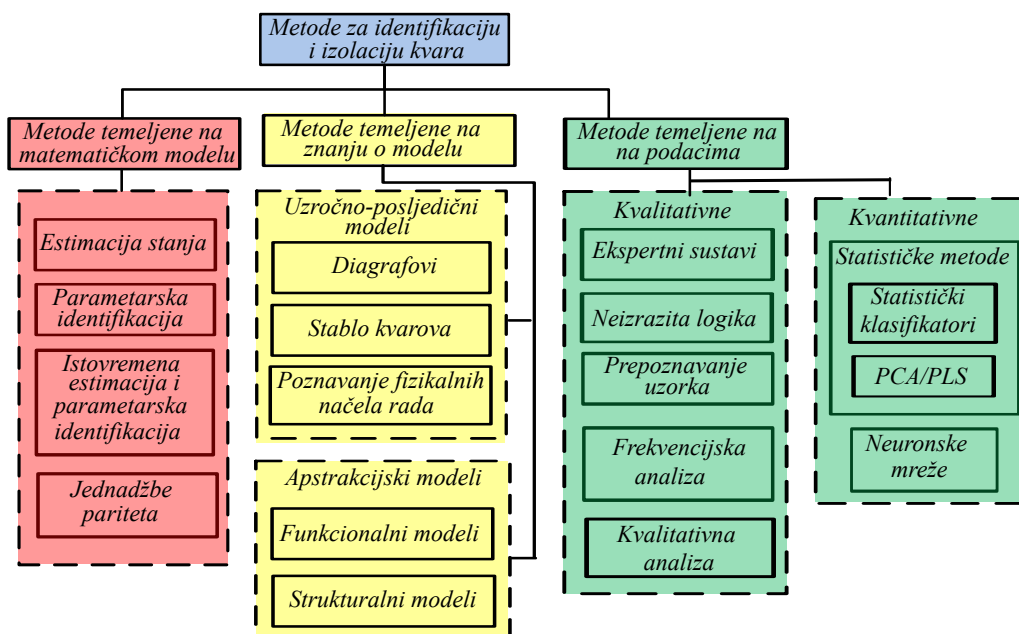
Za razliku od pasivnih metoda, **aktivne metode** reagiraju na širu klasu kvarnih stanja koje se mogu pojaviti u sustavu. Aktivne metode posjeduju mehanizam za otkrivanje i identifikaciju tipa kvarnog stanja, te se pomoću mehanizma za rekonfiguraciju adaptiraju na nastalo kvarno stanje u smislu da se zadrži stabilnost sustava uz smanjenje nazivne performanse sustava. Osnovna shema aktivnih metoda prikazana je na slici 5.1.

U disertaciji se koristi aktivni pristup dijagnostike kvarnih stanja. Za dijagnosticiranje kvarnih stanja postoje različite metode. Neke su zasnovane na matematičkom modelu (*engl.* Model-Based methods), neke na znanju o sustavu bez poznavanja matematičkih relacija koje vrijede u sustavu (*engl.* Knowledge based), a postoje i metode zasnovane na podacima (signalima) koji su dostupni o sustavu (*engl.* Proces history based methods), slika 5.3. Detaljan opis navedenih metoda može se naći u [80, 83–85].

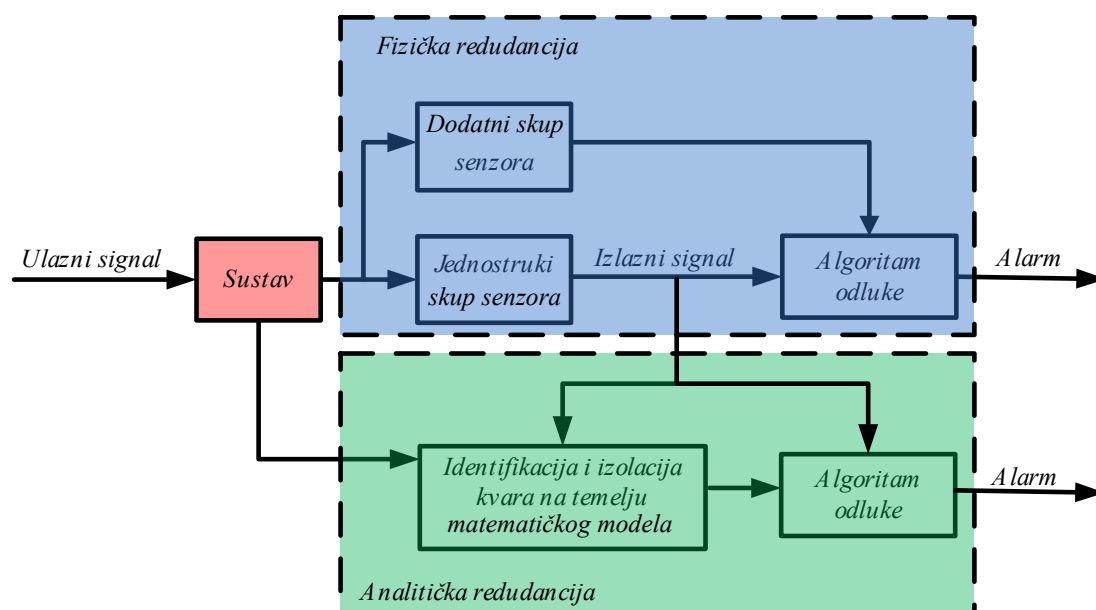
Za svaku od prikazanih metoda na slici 5.3, neophodno je neko znanje o sustavu. U ovoj se disertaciji koriste metode zasnovane na matematičkom metodu pa se u sljedećem potpoglavlju ukratko opisuju te metode.



Slika 5.2 – Podjela metoda upravljanja otpornog na kvarna stanja [82].



Slika 5.3 – Podjela metoda za dijagnostiku kvarnih stanja [80].



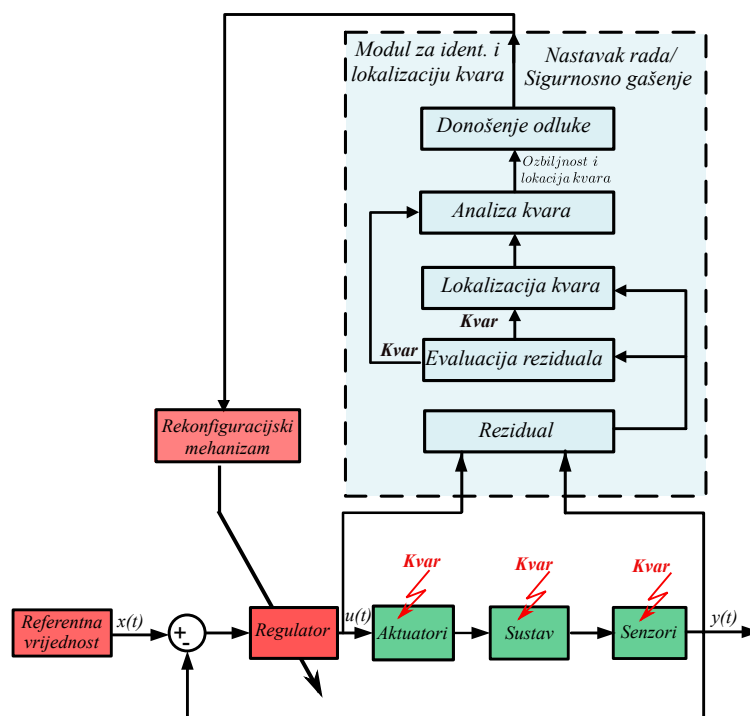
Slika 5.4 – Prikaz koncepta analitičke i fizičke redundancije [72].

5.3.2 Dijagnostika kvarnog stanja na osnovi matematičkog modela

Osnovni je problem kod metoda dijagnoze kvarnih stanja koje se ne zasnivaju na matematičkom modelu zahtjev dodavanja dodatne opreme u sustav što povećava njegovu cijenu i gabarite ili se zahtijevaju dodatna skupa mjerenja. Ako se ne posjeduje dodatni novac za skupu opremu ili gabariti sustava ne dopuštaju dodavanje dodatne opreme, onda se mogu koristiti sva dostupna mjerenja u sustavu s kombiniranjem znanja o tome kako sustav treba raditi. U literaturi se taj koncept naziva analitičkom redundancijom (*engl.* *analytic redundancy*). Osnovna razlika između fizičke i analitičke redundancije prikazana je na slici 5.4 [72].

Analitička redundancija zasniva se na korištenju relacija između ulaza i izlaza. Istovremeno se procesiraju signali koji su prisutni na ulazu i izlazu u stvarni sustav kao i ulazi i izlazi koji se primjenjuju na model. Potom se računa odstupanje (*engl.* *residual*) između karakterističnih veličina stvarnoga sustava i njegova modela te se dobiveni rezultat šalje u blok za donošenje odluke o kakvom se mogućem kvarnom stanju sustava radi. Ako je sustav bez kvarnog stanja, tada su dobivena odstupanja između karakterističnih veličina jednake nuli. Ako ta odstupanja nisu jednaka nuli nego prelaze određeni prag u sustavu postoji kvarno stanje. Obično se odstupanja računaju s raznim kombinacijama stvarnih i mjerenih veličina tako da se može izvršiti jednostavna dijagnostika nastanka kvarnog stanja. Metoda je osjetljiva na smetnje koje mogu nastati u sustavu. Zato se izračunana odstupanja moraju dodatno procesirati da bi se utvrdio mogući nastanak kvarnog stanja, što je prikazano načelnom shemom na slici 5.5

Za potrebe generiranja reziduala (slika 5.5) najčešće se koriste metode zasnovane na modelu (matematičkom ili apriori) i metode zasnovane na podacima (slika 5.3). Nadalje, metode koje se zasnivaju na matematičkom modelu (koje se koriste u ovoj disertaciji) za dijagnosticiranje



Slika 5.5 – Načelna shema za identifikaciju i lokalizaciju kvarnih stanja kod aktivnih metoda [72].

kvarnog stanja su:

- **Estimacija stanja.** U ove metode potpadaju metode zasnovane na obzerverima [86], [87] i metode zasnovane na Kalmanovu filtru [86], [88]. Metode zasnovane na obzerverima rekonstruiraju izlazi signal sustava koji se dobiva na osnovi matematičkog modela sustava u slučaju rada bez prisustva kvarnog stanja. Ovaj se obzerver općenito razlikuje od obzervera koji se koristi za potrebe upravljanja. Za razliku od obzervera za potrebe upravljanja, koji vrši estimaciju stanja koja nisu neposredno mjerljiva, obzerver za dijagnozu kvarnih stanja vrši estimaciju mjerenih varijabli sustava. Zatim se generira rezidual na osnovu stvarnih i estimiranih vrijednosti mjerenih varijabli.
- **Parametarska identifikacija.** Parametarska identifikacija oslanja se na pretpostavku da će u slučaju nastanka kvarnog stanja u sustavu doći do određene promjene pojedinih parametara kao posljedice nastanka kvarnog stanja. Parametarske metode mogu biti preciznije i pouzdanije u odnosu na analitičke metode ali imaju veće zahtjeve u smislu stvarno-vremenskog računanja [89]. Kod parametarske se identifikacije određuju nazivne vrijednosti svih parametara u sustavu bez prisustva kvarnog stanja, te se iste koriste kao referentne vrijednosti u slučaju nastanka kvarnog stanja. Rezidual se formira između estimiranih vrijednosti parametara koji se dobivaju iz mjerenih podataka primjenom nekih od metoda identifikacije (metoda najmanjih kvadrata (*engl.* least squares), rekurzivna metoda najmanjih kvadrata (*engl.* recursive least squares) i proširena metoda najmanjih kvadrata (*engl.* extended least squares)) i nazivnih vrijednosti parametara koje su inicijalno

dobivene.

- **Istovremena estimacija stanja i parametarska identifikacija.** Za istovremenu estimaciju stanja i parametara sustava veoma je raširena upotreba proširenog Kalmanova filtra (*engl.* extended Kalman filter - EKF) [90] i višestupanjskog Kalmanova filtra (*engl.* Two-stage Kalman Filter). U radu [91] opisano je korištenje proširenog Kalmanova filtra za identifikaciju i lokalizaciju nastanka kvarnog stanja korištenjem banke proširenih Kalmanovih filtara. Za generiranje reziduala korištenjem Kalmanova filtra, isti se koristi za predikciju kvarnog stanja u sustavu, a potom se uspoređuje kvarno stanje stvarnog sustava i predikcije dobivene Kalmanovim filtrom. Ako je ta razlika jednaka nuli to indicira da u sustavu nije nastalo kvarno stanje, a za slučaj da postoji odstupanje iznad unaprijed definiranog praga tada je nastalo kvarno stanje. Matematički je zapis Kalmanova filtra jednostavan, te je i njegova implementacija relativno jednostavna. Međutim, za svaku vrstu kvarnog stanja u sustavu potrebno je projektirati po jedan filter što može dovesti do toga da imamo veliki broj filtara koje treba provjeriti da bi se pronašla hipoteza koja odgovara trenutnom stanju u sustavu. U radu [80] navodi se da najbolje sveukupne performanse imaju metode zasnovane na simultanoj estimaciji stanja i parametara, s obzirom da nasljeđuju prednosti ovih pojedinačnih metoda.
- **Jednadžbe pariteta** (*engl.* Parity space). Osnovna je ideja ovoga pristupa da se eliminiraju nepoznata stanja, a potom se dobivaju relacije u kojima su poznata sva stanja. Metode zasnovane na paritetnom prostoru izvršavaju linearne dinamičke transformacije veze između ulaza i izlaza. Provjera pariteta obavlja se usporedbom pariteta modela i mjerenja. Razlika koja se dobiva upotrebom transformacije služi za otkrivanje i izolaciju kvarnog stanja. Izvođenje relacija za paritetni prostor zasnovan na prostoru stanja dano je u radu [92].

U sljedećem potpoglavlju prikazuje se jednostavni sustav za otkrivanje i izolaciju kvarnih stanja u pogonskom sustavu zasnovan na metodi najmanjih kvadrata [63]. Primarni razlog za odabir te metode jest njezina jednostavna implementacija koja daje dobre performanse.

5.4 Otkrivanje i izolacija kvarnih stanja zasnovana na metodi najmanjih kvadrata

Kako je pokazano u 2. poglavlju veza između upravljačkog vektora i brzina vrtnje motora iskazana je izrazom $u = A\Omega_s$, gdje je u vektor virtualnih upravljačkih signala sustava oblika:

$$u = \begin{bmatrix} T & \tau \end{bmatrix}^T = \begin{bmatrix} T & \tau_x & \tau_y & \tau_z \end{bmatrix}^T, \quad (5.1)$$

A aktuacijska matrica oblika (za PNPNPNPN strukturu oktokoptera):

$$A = \begin{bmatrix} b & b & b & b & b & b & b & b \\ bl & \frac{\sqrt{2}}{2}bl & 0 & -\frac{\sqrt{2}}{2}bl & -bl & -\frac{\sqrt{2}}{2}bl & 0 & \frac{\sqrt{2}}{2}bl \\ 0 & -\frac{\sqrt{2}}{2}bl & -bl & -\frac{\sqrt{2}}{2}bl & 0 & \frac{\sqrt{2}}{2}bl & bl & \frac{\sqrt{2}}{2}bl \\ -d & d & -d & d & -d & d & -d & d \end{bmatrix}, \quad (5.2)$$

Ω_s vektor kvadrata kutnih brzina motora:

$$\Omega_s = \begin{bmatrix} \Omega_1^2 & \Omega_2^2 & \Omega_3^2 & \Omega_4^2 & \Omega_5^2 & \Omega_6^2 & \Omega_7^2 & \Omega_8^2 \end{bmatrix}^T. \quad (5.3)$$

Članovi aktuacijske matrice A zavise samo od aerodinamičkih karakteristika propelera i odabranog tipa letjelice. Shodno tome, referentni upravljački signal letjelice izravno je proporcionalan kvadratu kružnih brzina propelera ω_i ($i = \overline{1..8}$). Za slučaj kvarnog stanja na nekom od pogonskih motora, pojedine komponente referentnog upravljačkog signala se promijene. Da bismo mogli uvažiti nastalu promjenu definirat ćemo vektor kapaciteta rotora s θ , $\theta = \begin{bmatrix} \theta_1 & \theta_2 & \theta_3 & \theta_4 & \theta_5 & \theta_6 & \theta_7 & \theta_8 \end{bmatrix}^T$. Kapacitet i -tog ($i = \overline{1..8}$) rotora iskazan je skalarom $0 \leq \theta_i \leq 1$, pri čemu $\theta_i = 1$ znači da nije došlo do kvarnog stanja na i -tom rotoru, a $\theta_i = 0$ iskazuje njegovo potpuno otkazivanje. Za ovako definiran vektor kapaciteta rotora, vektor referentnog upravljanja može se zapisati u obliku:

$$u_{ref} = A \text{diag}(\Omega_s) \theta. \quad (5.4)$$

Ako pojedinačne redove vektora referentnog upravljanja definiramo kao:

$$\begin{aligned}
 A_T &= \begin{bmatrix} b & b & b & b & b & b & b & b \end{bmatrix} \\
 A_1 &= \begin{bmatrix} bl & \frac{\sqrt{2}}{2}bl & 0 & -\frac{\sqrt{2}}{2}bl & -bl & -\frac{\sqrt{2}}{2}bl & 0 & \frac{\sqrt{2}}{2}bl \end{bmatrix}, \\
 A_2 &= \begin{bmatrix} 0 & -\frac{\sqrt{2}}{2}bl & -bl & -\frac{\sqrt{2}}{2}bl & 0 & \frac{\sqrt{2}}{2}bl & bl & \frac{\sqrt{2}}{2}bl \end{bmatrix}, \\
 A_3 &= \begin{bmatrix} -d & d & -d & d & -d & d & -d & d \end{bmatrix}
 \end{aligned} \tag{5.5}$$

tada matricu aktuacije možemo predstaviti u obliku:

$$A = \begin{bmatrix} A^T_T & A^T_1 & A^T_2 & A^T_3 \end{bmatrix}^T. \tag{5.6}$$

Ovakvim predstavljanjem omogućeno je da pojedinačne komponente vektora upravljačkog signala u , tj. silu uzgona T i momente τ_x , τ_y i τ_z oko osi X , Y i Z predstavimo kao otežane skalarne umnoške oblika:

$$\begin{aligned}
 T &= A_T \text{diag}(\Omega_s) \theta \\
 \tau_x &= A_1 \text{diag}(\Omega_s) \theta \\
 \tau_y &= A_2 \text{diag}(\Omega_s) \theta \\
 \tau_z &= A_3 \text{diag}(\Omega_s) \theta.
 \end{aligned} \tag{5.7}$$

Budući da se za otkrivanje definiranih varijabli koriste podaci iz žiroskopa (zbog velike točnosti mjerenja žiroskopa), to podatke o prvoj varijabli iz sustava jednadžbi 5.7 već imamo pa je neophodno odrediti preostale:

$$\begin{aligned}
 \tau_x &= A_1 \text{diag}(\Omega_s) \theta \\
 \tau_y &= A_2 \text{diag}(\Omega_s) \theta \\
 \tau_z &= A_3 \text{diag}(\Omega_s) \theta.
 \end{aligned}$$

Za predikciju izlaza τ_x , τ_y i τ_z potrebne su i prethodne vrijednosti, pa se koristi dinamički model kružnog gibanja sustava oktokoptera dan s:

$$\begin{aligned}
 \dot{P} &= \frac{I_{yy} - I_{zz}}{I_{xx}} QR + \frac{\tau_x}{I_{xx}} - \frac{I_{zzm}}{I_{xx}} W_g Q \\
 \dot{Q} &= \frac{I_{zz} - I_{xx}}{I_{yy}} PR + \frac{\tau_y}{I_{yy}} + \frac{I_{zzm}}{I_{yy}} W_g P \\
 \dot{R} &= \frac{I_{xx} - I_{yy}}{I_{zz}} PQ + \frac{\tau_z}{I_{zz}}.
 \end{aligned} \tag{5.8}$$

Korištenjem veze između τ_x, τ_y i τ_z i dinamičkog modela oktokoptera danu s 5.8, povijest potrebnih izlaza τ_x, τ_y i τ_z možemo rekonstruisati kao :

$$\begin{aligned}\tau_x &= I_{xx}\dot{P} - (I_{yy} - I_{zz})QR + I_{zzm}W_gQ \\ \tau_y &= I_{yy}\dot{Q} - (I_{zz} - I_{xx})PR - I_{zzm}W_gP \\ \tau_z &= I_{zz}\dot{R} - (I_{xx} - I_{yy})PQ.\end{aligned}\tag{5.9}$$

Iz jednadžbe 5.9 može se uočiti da je za rekonstrukciju izlaza τ_x, τ_y i τ_z neophodno poznavati članove: I_{xx}, I_{yy} i I_{zz} tenzora inercije letjelice, vrijednosti kružnih ubrzanja \dot{P}, \dot{Q} i \dot{R} , moment inercije rotora I_{zzm} i žiroskopsku komponentu W_g . Iz očitavanja žiroskopa dostupne su nam vrijednosti kružne brzine P, Q i R . Na osnovi tih vrijednosti, kružna ubrzanja \dot{P}, \dot{Q} i \dot{R} mogu se dobiti numeričkim diferenciranjem kružnih brzina P, Q i R . Žiroskopska komponenta W_g dobiva se izravnim izračunom iz mjerenja kružnih brzina vrtnje rotora. Da bismo dobili uvid u predloženu metodu, razmotrit ćemo slučaj da se otkrivanje i izolacija kvarnog stanja obavlja samo na osnovi jedne od vrijednosti τ_x, τ_y i τ_z . Prvo razmotrimo slučaj da predikciju vršimo samo na osnovi vrijednosti τ_x . Tada je

$$\tau_x = \begin{bmatrix} \tau_x(1) & \tau_x(2) & \dots & \tau_x(N) \end{bmatrix}^T.\tag{5.10}$$

Za ovaj su slučaj regresori oblika:

$$\begin{aligned}\psi_1(1) &= A_1 \text{diag}(\Omega_s(1)) \\ \psi_1(2) &= A_1 \text{diag}(\Omega_s(2)) \\ &\vdots \\ \psi_1(N) &= A_1 \text{diag}(\Omega_s(N))\end{aligned},\tag{5.11}$$

dok matrica podataka ima oblik:

$$\Psi_1 = \begin{bmatrix} \psi_1(1) & \psi_1(2) & \dots & \psi_1(N) \end{bmatrix}^T.\tag{5.12}$$

Razmotrimo slučaj da predikciju vršimo samo na osnovi vrijednosti τ_y . U ovom slučaju imamo:

$$\tau_y = \begin{bmatrix} \tau_y(1) & \tau_y(2) & \dots & \tau_y(N) \end{bmatrix}^T.\tag{5.13}$$

Za ovaj su slučaj regresori oblika:

$$\begin{aligned}\psi_2(1) &= A_2 \text{diag}(\Omega_s(1)) \\ \psi_2(2) &= A_2 \text{diag}(\Omega_s(2)) \\ &\vdots \\ \psi_2(N) &= A_2 \text{diag}(\Omega_s(N))\end{aligned},$$

dok matrica podataka poprima oblik:

$$\Psi_2 = \begin{bmatrix} \Psi_2(1) & \Psi_2(2) & \cdots & \Psi_2(N) \end{bmatrix}^T. \quad (5.14)$$

Konačno, ako se za predikciju koristi samo vrijednost τ_z tada je vektor izlaza dan kao:

$$\tau_z = \begin{bmatrix} \tau_z(1) & \tau_z(2) & \cdots & \tau_z(N) \end{bmatrix}^T \quad (5.15)$$

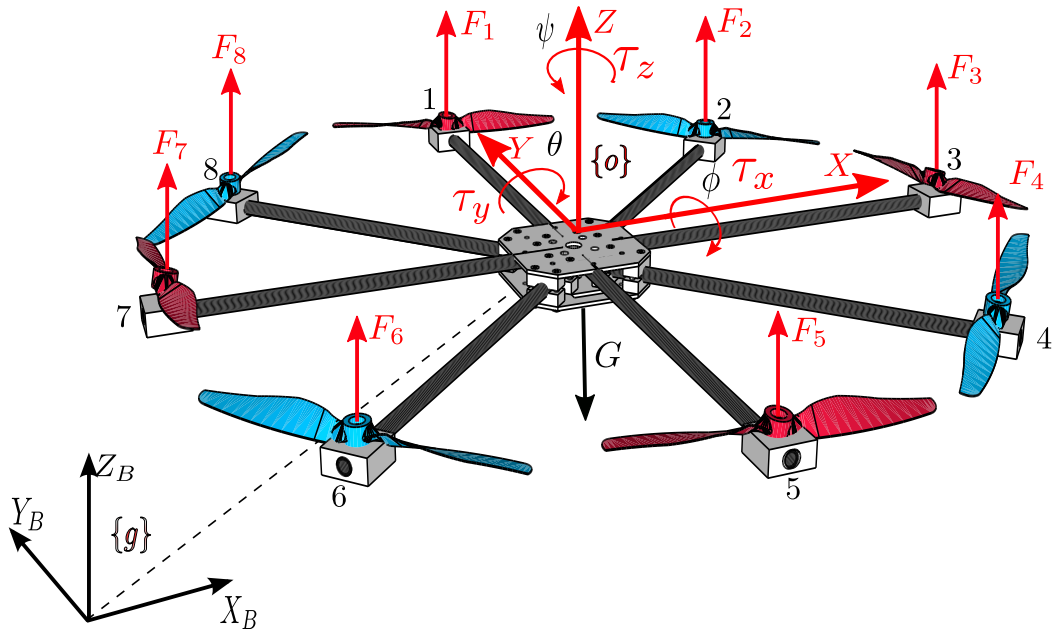
dok su regresori oblika:

$$\begin{aligned}\psi_3(1) &= A_3 \text{diag}(\Omega_s(1)) \\ \psi_3(2) &= A_3 \text{diag}(\Omega_s(2)) \\ &\vdots \\ \psi_3(N) &= A_3 \text{diag}(\Omega_s(N))\end{aligned},$$

a matrica podataka je oblika:

$$\Psi_3 = \begin{bmatrix} \Psi_3(1) & \Psi_3(2) & \cdots & \Psi_3(N) \end{bmatrix}^T. \quad (5.16)$$

Razmotrimo poziciju oktokoptera u odnosu na globalni i lokalni koordinatni sustav predstavljen slikom 5.6 kao i matricu aktuacije danu s 5.2. Iz slike 5.6 i jednadžbe 5.2 može se uočiti da parametri θ_3 i θ_7 vektora kapaciteta rotora nemaju utjecaja na formiranje izlaza τ_x , a isto tako parametri θ_1 i θ_5 vektora kapaciteta rotora nemaju utjecaj na formiranje izlaza τ_y . To praktički znači da se komponente θ_3 i θ_7 vektora kapaciteta rotora ne mogu odrediti iz izlaza τ_x , a isto tako ni komponente θ_1 i θ_5 vektora kapaciteta rotora ne mogu se odrediti iz izlaza τ_y . Nasuprot tome svi parametri vektora kapaciteta rotora imaju utjecaj na formiranje izlaza τ_z . Kako bi se poboljšala točnost iskoristit ćemo sve izlaze koji su nam na raspolaganju (τ_x, τ_y i τ_z) za određivanje predikcije pojedinih komponenata vektora kapaciteta rotora, pa vektor izlaza možemo zapisati u obliku:



Slika 5.6 – Prikaz globalnog i lokalnog koordinatnog sustava oktokoverta.

$$\tau = \begin{bmatrix} \tau_x(1) & \tau_y(1) & \tau_z(1) & \tau_x(2) & \tau_y(2) & \tau_z(2) & \cdots & \tau_x(N) & \tau_y(N) & \tau_z(N) \end{bmatrix}^T. \quad (5.17)$$

Za ovaj su slučaj regresori oblika:

$$\Psi = \begin{bmatrix} \psi_1^T(1) & \psi_2^T(1) & \psi_3^T(1) & \psi_1^T(2) & \psi_2^T(2) & \psi_3^T(2) & \cdots & \psi_1^T(N) & \psi_2^T(N) & \psi_3^T(N) \end{bmatrix}^T, \quad (5.18)$$

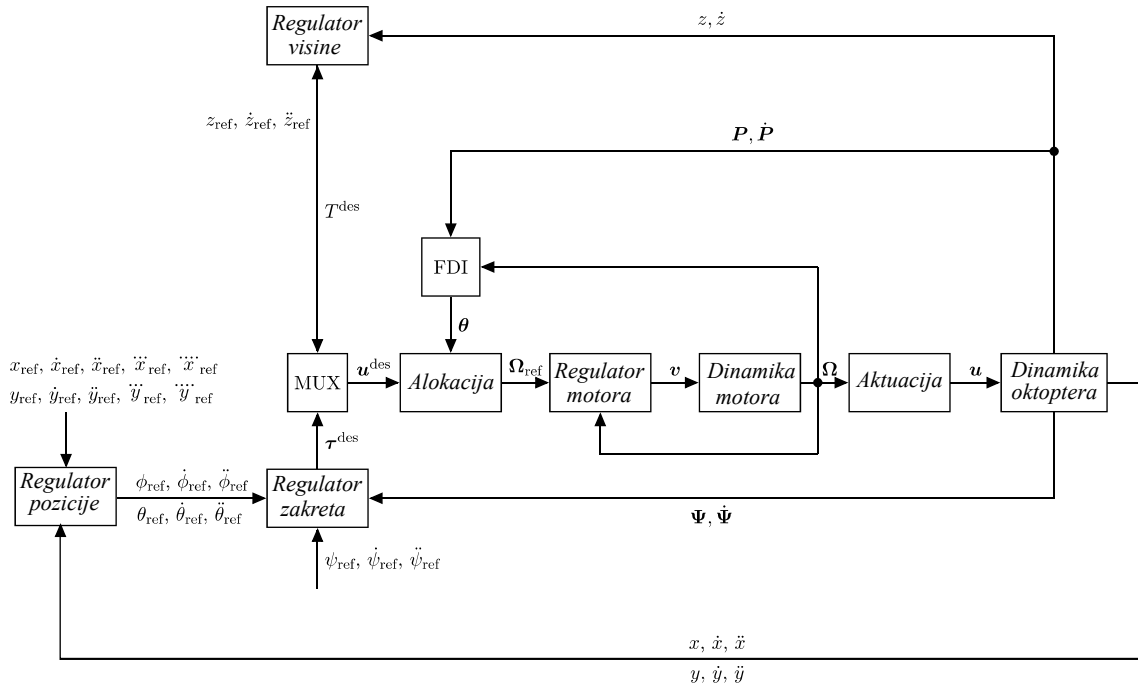
i matrica podataka:

$$\Psi = \begin{bmatrix} \psi(1) & \psi(2) & \cdots & \psi(3N) \end{bmatrix}^T. \quad (5.19)$$

Vrijednosti regresora dobiveni s (5.19) mogu se koristiti za određivanje parametara vektora kapaciteta rotora korištenjem rekurzivnog oblika metode najmanjih kvadrata koja se zasniva na ne-rekuzivnoj jednadžbi metode najmanjih kvadrata [93]):

$$\theta = (\Psi^T \Psi)^{-1} \Psi^T \tau.$$

Vrijednosti za θ_i ($i = \overline{1..8}$), nisu konstantne cijelo vrijeme, pa je korišten faktor zaboravljanja da bi se predložena tehnika mogla primijeniti na višerotorski sustav. Neophodno je naglasiti da se predložena tehnika, zasnovana na metodi najmanjih kvadrata, za procjenu vrijednosti kapaciteta vektora rotora može primijeniti na bilo kojoj višerotorskoj letjelici s n pari rotora u planarnoj



Slika 5.7 – Upravljačka arhitektura za upravljanje otporno na kvarna stanja [63].

konfiguraciji. Kako bismo mogli iskoristiti informaciju o kapacitetu rotora odnosno o kvarnom stanju, u sljedećem potpoglavlju predstavljamo upravljačku arhitekturu koja može iskoristiti informaciju o procjeni vrijednosti kapaciteta vektora rotora bespilotne višerotorske letjelice.

5.4.1 Upravljačka arhitektura za upravljanje otporno na kvarna stanja i simulacijski rezultati

U 3. poglavlju opisana je procedura projektiranja regulatora za praćenje referentne trajektorije. Kako bismo mogli iskoristiti informaciju o identifikaciji nastanaka kvarnog stanja (lokacija i intenzitet kvarnog stanja) proširit ćemo predloženu arhitekturu na način kako je to pokazano na slici 5.7.

Kako se može uočiti sa slike 5.7, na ulaze regulatora pozicije, visine i zakreta dovode se referentne vrijednosti za poziciju x , y i z koordinatu u prostoru i referenca za orijentaciju ψ (njihove vrijednosti uobičajeno generira planer gibanja). Regulatori pozicije, visine i zakreta na svojim izlazima generiraju potrebnu referentnu silu potiska i momente kako bi se referentne koordinate za poziciju i zakret dosegle, odnosno vektor upravljačke varijable ima oblik:

$$u_{ref} = \begin{bmatrix} T & \tau \end{bmatrix}^T = \begin{bmatrix} T & \tau_x & \tau_y & \tau_z \end{bmatrix}^T = A\Omega_s, \quad (5.20)$$

Referentno upravljanje postiže se pomoću pogonskih motora, odnosno tako da se pogonski motori vrte na način da generirana sila bude što bliža referentnoj. Za slučaj kada matrica aktuacije ima kvadratnu formu, zadatak se svodi na pronalaženje inverzije matrice A , pa se potrebne brzine

pogonskih motora računaju kao $\Omega_s = A^{-1}u_{ref}$. Međutim, kako je već ranije naglašeno, budući da se ovdje radi o sustavu višerotorske letjelice s $2n$ pari motora (oktokofer s $n = 4$), to imamo više pogonskih motora nego je to neophodno, pa se referentne vrijednosti upravljačke varijable mogu realizirati na beskonačno mnogo načina. Kako matrica aktucije, za slučaj oktokofera, nema kvadratnu formu to se ne može koristiti prosta inverzija za proračun potrebnih brzina motora koji osiguravaju referentne vrijednosti upravljačke varijable. Jedan je od često korištenih načina postizanja referentnog upravljanja korištenje upravljačke alokacije tako da se za izračun referentnog vektora upravljanja iskoristi pseudo-inverzija [27, 94]. Za navedeni slučaj (gdje matrica aktucije nema kvadratnu formu) proračun referentnog upravljanja se računa po formuli:

$$\Omega_s = A^+ u_{ref} \quad (5.21)$$

gdje je $A^+ = A^T(AA^T)^{-1}$.

Proračun referentnog upravljanja korištenjem pseudo-inverzije osigurava barem jednu od mogućih kombinacija pomoću koje se doseže referentno upravljanje. Međutim, za slučaj kvarnog stanja, jedan ili više pogonskih motora neće imati nikakav doprinos u matrici aktucije pa će proračun pomoću pseudo-inverzije dati netočno rješenje. U prethodnom smo potpoglavlju pokazali da se korištenjem metode zasnovane na metodi najmanjih kvadrata mogu odrediti kapaciteti vektora rotora. Kako su nam kapaciteti vektora rotora dostupni, te uzimajući u obzir činjenicu da su vektori Ω_s i θ vektori iste veličine, jednadžba (5.4) može se zapisati u obliku:

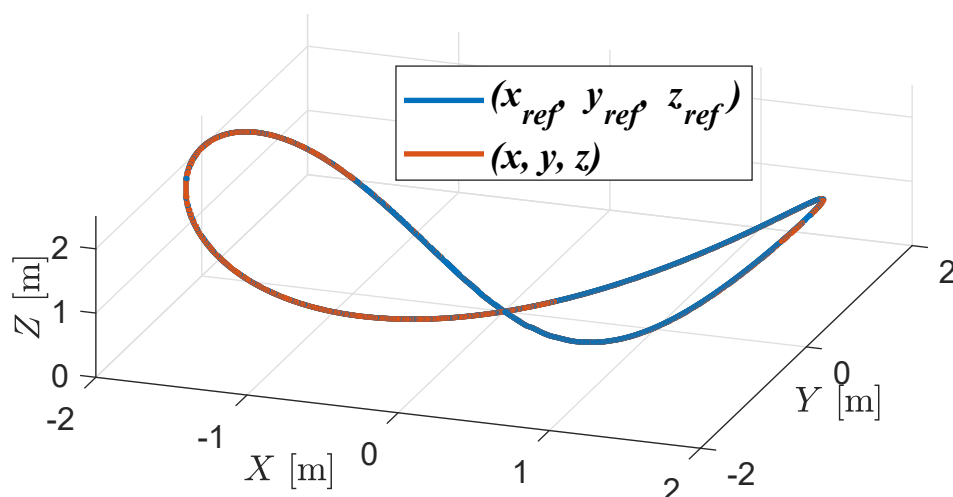
$$u_{ref} = \text{Adiag}(\theta) \Omega_s. \quad (5.22)$$

Sada možemo uvesti novu matricu B kao $B = \text{Adiag}(\theta_i)$, te možemo iskoristi informaciju o trenutno dostupnim pogonskim motorima da se, ako je to moguće, izračunaju potrebne brzine vrtnje pogonskih motora za dostizanje referentnog vektora upravljanja. Potrebne brzine vrtnje pogonskih motora kojima se dostiže referentni vektor upravljanja računaju se kao:

$$\Omega_s = B^+ u_{ref} \quad (5.23)$$

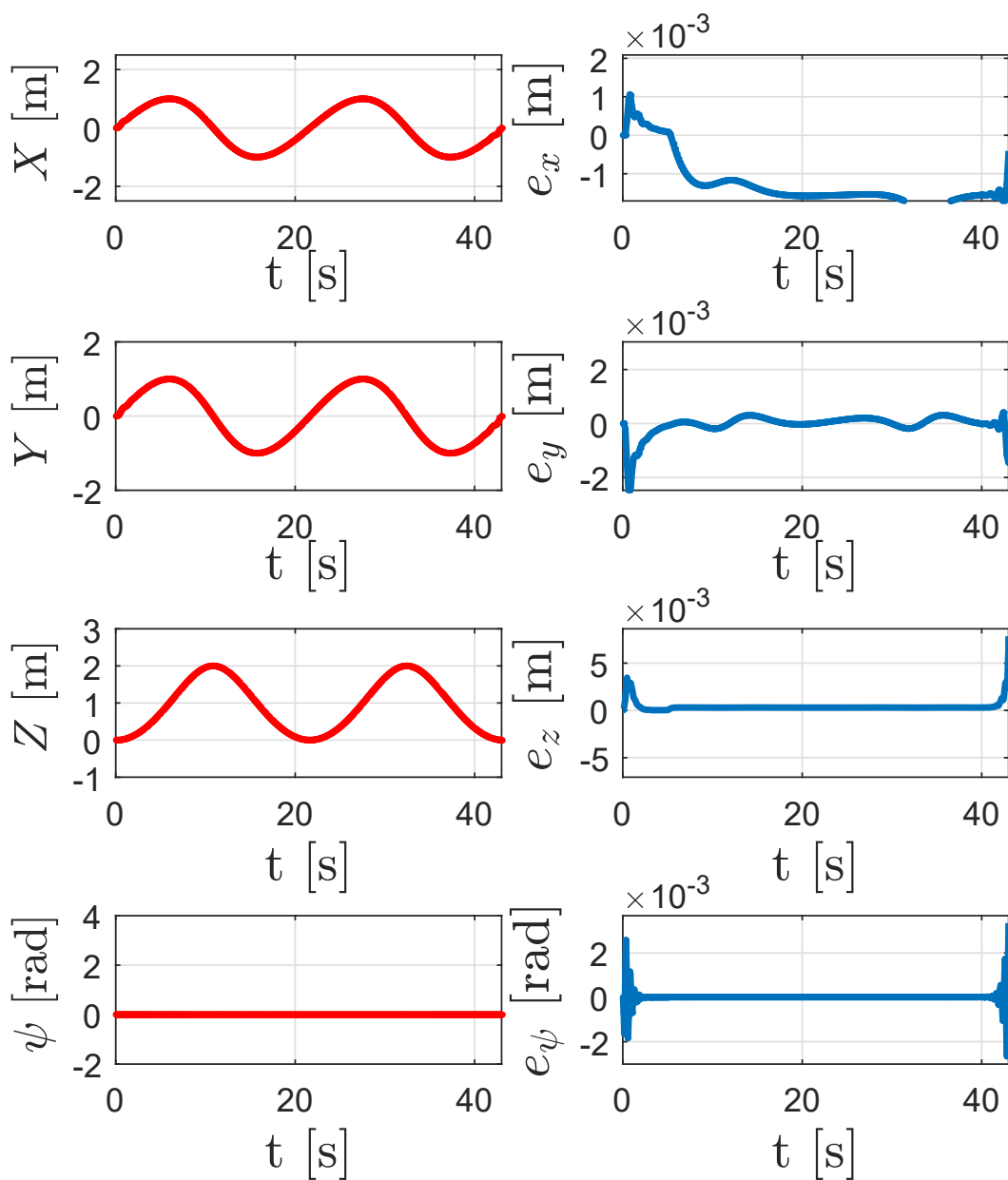
gdje je $B^+ = B^T(BB^T)^{-1}$.

Simulirali smo praćenje Vivijanijeve krivulje pomoću oktokofera s PNPNPNPN strukturom, uz upravljačku arhitekturu kao na slici 5.7. Za proračun kapaciteta rotora korištena je opisana tehnika zasnovana na metodi najmanjih kvadrata. Upravljačka alokacija proračunavana na osnovi jednadžbe 5.23. Pretpostavljeno je kvarno stanje na motoru 3 u petoj sekundi ($t = 5$ [s]). Za ovaj slučaj, vektor kapaciteta rotora se može prikazati kao $\theta = \begin{bmatrix} 1 & 1 & 0 & 1 & 1 & 1 & 1 & 1 \end{bmatrix}^T$, od pete sekunde do kraja simulacije. Kako je za potrebe predloženog algoritma najmanjih kvadrata potrebno odrediti nepoznate parametre θ_i , to je, za slučaj oktokofera, potrebno imati

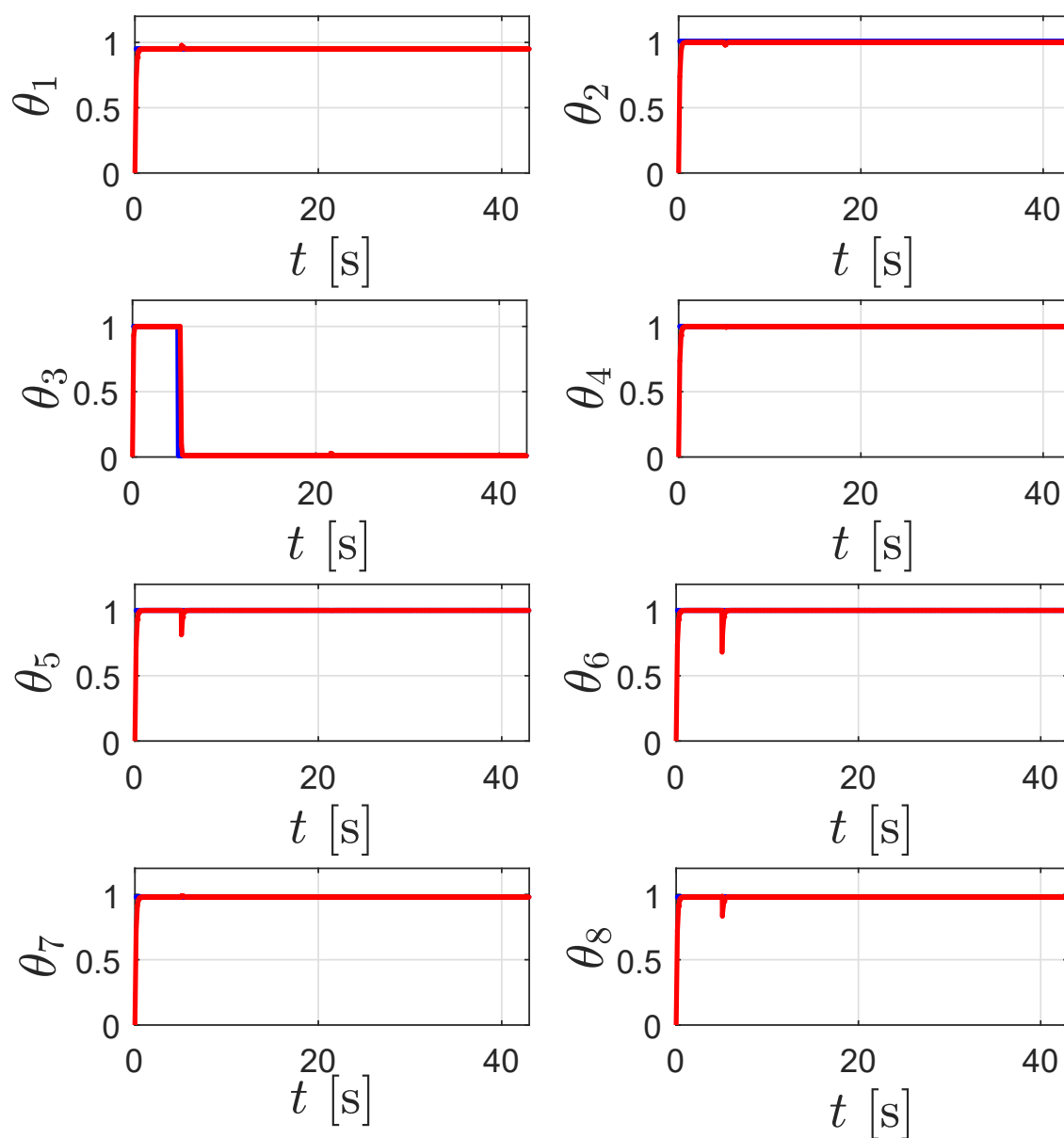


Slika 5.8 – Praćenje Vivijanijeve krivulje u 3D prostoru za slučaj kvarnog stanja na motoru 3 za $t \geq 5$ 5[s].

najmanje 8 jednadžbi. Shodno navedenome, slijedi da broj uzoraka mora biti najmanje $N \geq 8$. Međutim, kako bi se otklonio utjecaj šuma, poželjno je da broj uzoraka bude $N \gg 8$. Iz toga je razloga faktor zaboravljanja postavljen na vrijednost 0.8, čim je osiguran dovoljan broj uzoraka iz predhodnih 0.8 sekundi. Na slikama 5.8 i 5.9, prikazani su rezultati praćenja postignuti primjenom predložene upravljačke arhitekture. Sa slika se može uočiti dobro praćenje referentne krivulje. Na slici 5.10 prikazani su rezultati estimacije parametara vektora kapaciteta rotora. Na slici 5.10 plavom bojom su prikazani stvarni kapaciteti pogonskih motora a crvenom bojom estimirani. Sa slike se može uočiti da predložena metoda dobro estimira parametre. Rezultati praćenja trajektorije, na osnovi jednostavnog PD regulatora uz korištenje metode najmanjih kvadrata za identifikaciju i izolaciju kvarnog stanja, objavljeni su u [63].



Slika 5.9 – Lijevo: Praćenje pojedinačnih koordinata Vivijanijeve krivulje za slučaj kvarnog stanja na motoru 3 za $t \geq 5$ [s]. Desno: pogreška praćenja Vivijanijeve krivulje za slučaj kvarnog stanja na motoru 3 za $t \geq 5$ [s].



Slika 5.10 – Estimacija parametara vektora kapaciteta rotora za slučaj kvarnog stanja na motoru 3 za $t \geq 5$ [s], plavom bojom su prikazani stvarni kapacititi pogonskih motora a crvenom bojom estimirani.

Poglavlje 6

Analiza utjecaja kvarnih stanja i njihova djelovanja na bespilotnu letjelicu

Analiza utjecaja kvarnih stanja i njihovih djelovanja (u daljnjem tekstu FMEA: *engl.*- **F**ailure **M**ode and **E**ffects **A**nalysis) na bespilotnu letjelicu s električnim pogonskim motorima, koja će biti predstavljena u ovom poglavlju, razmatra osjetljivost sustava na kvarna stanja tijekom normalnog izvršavanja operacija. Glavni je cilj analize razumjeti uzrok i ozbiljnost kvarnih stanja koja mogu nastati na bespilotnoj letjelici. Bespilotne letjelice obavljaju raznovrsne tipove zadataka i može se dogoditi da uslijed nastanka kvarnog stanja bespilotna letjelica ne može na željeni način ispuniti određeni zadatak. Iz toga je razloga potrebna FME analiza, da bi se primjerenim održavanjem, pogodnim projektiranjem upravljanja i pogodnim planiranjem misije, pripremilo letjelicu za eventualne akcije koje treba poduzeti u slučaju nastanka kvarnog stanja. Znajući vjerojatnost nastanka i ozbiljnost mogućeg kvarnog stanja, moguće je procijeniti rizik nastalog kvarnog stanja po ukupni integritet letjelice i planirane misije s kojim se sustav suočava tijekom misije.

6.1 Uvodna razmatranja o projektiranju letjelica i FME analizi

Pri projektiranju bespilotne letjelice, postoji nekoliko aspekata o kojima treba voditi računa [95]. Kod prvih tipova bespilotnih letjelica naglasak je bio stavljen na izdržljivost i domet. Danas su ti aspekti prošireni tako da pored izdržljivosti i dometa uključuju opterećenje koje letjelica može podnijeti, funkcije koje letjelica obavlja, sigurnost sustava bespilotne letjelice kao i sprječavanje nastanka opasnosti po ljude [96]. Sigurnost se obično postiže dodavanjem sklopovskih komponenata u sustav kojima se povećava redundantnost te naprednim programskim rješenjima, kao što su specifično projektirano upravljanje i/ili rano otkrivanje kvarnih stanja [27],

[97].

Dobro projektirana funkcionalnost letjelice postiže se izborom odgovarajućeg hardverskog i softverskog modula. No, projektiranje bespilotnih letjelica složen je zadatak koji bi trebali izvoditi stručnjaci s ekspertizom iz različitih područja kako bi konačna izvedba zadovoljavala stroge kriterije uporabe bespilotnih letjelica [98]. Osnovni je zadatak kod projektiranja bespilotnih letjelica jasno definirati zahtjeve koje letjelica treba zadovoljiti, ovisno o namjeni za koju će biti korištena.

U počecima je najveću zainteresiranost za ovu problematiku pokazala vojna industrija [1] koja je bila pokretač istraživanja i najveći financijer razvoja bespilotnih letjelica. Suradnja vojne i zrakoplovne industrije, kao i akademske zajednice pokrenula je ubrzan razvoj bespilotnih letjelica, tako da danas u svijetu postoji veliki broj bespilotnih letjelica (zrakoplovi i helikopteri), koje obavljaju raznovrsne zadatke, kako za potrebe vojske tako i za civilne svrhe. Prve bespilotne letjelice koje su se pojavile početkom devedesetih godina dvadesetog stoljeća, zasnivale su se na konceptu klasičnih letjelica poput helikoptera, da bi se kasnije prešlo na letjelice s fiksnim krilom, a u proteklom je desetljeću došlo do intenzivnog razvoja višerotorskih letjelica. Najčešći izazov kod projektiranja bespilotnih letjelica u civilnom sektoru predstavljaju ograničena financijska sredstva [99], [100]. Međutim, u protekla dva desetljeća došlo je do intenzivne minijaturizacije u području senzora i povećanja procesorske snage mikroracunala te razvoja pouzdanijeg softvera, što je dovelo do toga da projektanti bespilotnih letjelica ipak mogu u okviru predviđenog budžeta razvijati letjelice s pouzdanim komponentama za obavljanje zadataka za koje su projektirane. Na tržištu trenutno dominiraju dvije vrste bespilotnih letjelica: (i) letjelice s fiksnim krilima i (ii) višerotorske letjelice.

Kada je projektiranje bespilotne letjelice završeno, bitno je istražiti nastanak svih mogućih kvarnih stanja tijekom njezina životnog vijeka, izvršiti analizu i procijeniti utjecaj koji bi potencijalna kvarna stanja mogla imati na strukturu i rad letjelice. Postoje razne metode koje se koriste za tu vrstu analize i ispitivanja. FME analiza je jedna od često korištenih metoda, koja se provodi i u fazi projektiranja sustava.

FME analiza se koristi za predviđanje nastanka svih mogućih kvarnih stanja, te se potom provodi analiza utjecaja kvarnih stanja i njihovih djelovanja na sustav nakon koje se daje prijedlog što učiniti kada pretpostavljeno kvarno stanje nastupi. Kao rezultat FME analize za svako potencijalno kvarno stanje dobiva se numerička vrijednost nazvana "broj prioriteta rizika", u daljnjem tekstu *RPN* (engl. **Risk Priority Number**). *RPN* se zasniva na različitim faktorima, kao što su: (i) ozbiljnost kvarnog stanja, (ii) učestalost pojave nastanka kvarnog stanja i (iii) mogućnost identificiranja nastanka kvarnog stanja. Na osnovi *RPN* broja kvarna se stanja razvrstavaju po ozbiljnosti rizika koje predstavljaju za sustav u cjelini. Veća numerička vrijednost *RPN* broja koincidira s većim rizikom po sustav u cjelini. Međutim, može se dogoditi da neka manje ozbiljna kvarna stanja mogu imati veće indikacije *RPN* broja od drugih ozbiljnijih kvarnih

stanja [101]. Zapravo RPN brojevi dobiveni FME analizom pružaju informaciju da je određen tip kvarnog stanja više rangiran u odnosu na drugi, ali ne daju informaciju koja je razlika između dva kvarna stanja. Tako se može dogoditi da dva kvarna stanja npr. imaju vrijednosti $RPN = 2$ i $RPN = 4$. To ne znači da je kvarno stanje s brojem $RPN = 4$ dva puta ozbiljnije nego ono s brojem $RPN = 2$. Ova vrijednost može biti rezultat toga da je frekvencija pojavljivanja prvog kvarnog stanja veća od frekvencije pojavljivanja drugog kvarnog stanja, ali da je ozbiljnost po sustav manja ili ista. Zaključno, i pored toga što FME analiza identificira i klasificira sva moguća kvarna stanja u sustavu, rezultati analize nisu sveobuhvatni i imaju svoja ograničenja [102].

6.2 Osnove analize utjecaja kvarnih stanja i njihovih djelovanja na razmatrani sustav

Postoje dva postupka ili alata za provođenje FME analize: (i) induktivni pristup (odozdo prema gore, *engl.* bottom-up), (ii) deduktivni pristup (odozgo prema dolje, *engl.* top-down). FME analiza može se koristiti kao metodologija odozdo prema gore, koja se koristi za otkrivanje i analiziranje mogućih načina otkaza sustava i učinaka tih načina otkaza na sustav ili na njegove dijelove, kao i za određivanje njihove kritičnosti na sustav u cjelini. Taj tip analize često je ograničen na analizu kvarnih stanja sklopovskih komponenata sustava te na posljedice tih kvarnih stanja na funkcionalnost sustava.

U pristupu odozdo prema gore neophodno je dokumentirati sve komponente sustava, njihovu funkcionalnost i načine rada prije nego što počnemo s FME analizom [103]. Potom se analiziraju moguća kvarna stanja svake pojedinačne komponente koja se mogu javiti tijekom rada. Nakon toga, analizira se utjecaj svih modova kvarnog stanja koja mogu nastati na razmatranoj komponenti (potpuni ili djelomični otkaz, pomak u očitavanju ili softverska pogreška) te njenog utjecaja na rad pojedinačnih komponenata sustava, kao i na rad sustava u cjelini. Svakom potencijalnom kvarnom stanju i njegovu mogućem učinku dodjeljuje se kvalitativni stupanj ozbiljnosti (ili kritičnosti), s obzirom na njegovu potencijalnu štetu i/ili vjerojatnost nastanka. U fazi istraživanja i razvoja letjelice razmatra se nekoliko različitih utjecaja koje kvarna stanja mogu imati na sustav te se potom iz toga formira broj RPN . Rezultati FMEA tablica mogu poslužiti kao povratna informacija u procesu projektiranja, omogućujući izmjene u ranim fazama razvoja. Jedan od načina na koji su kvarna stanja kvalitativno razvrstana (dobivanje RPN broja) zasniva se na sljedećim parametrima [97]:

- vjerojatnost pojave nastanka kvarnog stanja,
- kritičnost učinka kvarnog stanja i
- ukupni rizik za sustav, na osnovi pojave kvarnog stanja i kritičnosti.

Vjerojatnost svih kvarnih stanja za neki sustav nije uvijek moguće odrediti. Zbog toga je u

uporabi i ljestvica za ocjenjivanje kritičnosti kvarnog stanja. Kritičnost se može ocijeniti na skali od tri točke koja je vrlo jednostavna i sastoji se od sljedeće tri vrijednosti faktora procjene:

- niskih (*engl.* low (L)),
- srednjih (*engl.* medium (M)) i
- visokih (*engl.* high (H)).

Pored opisanih kategorizacija, za ozbiljnost nastanka kvarnog stanja često je u uporabi kategorizacija zasnovana na NASA-inim standardima za FME analizu za letjelice [104]. Navedena kategorizacija ima sljedeću ljestvicu ozbiljnosti kvarnog stanja:

- **Kategorija 1** - Katastrofalni (*engl.* Catastrophic) - kvarna stanja koja mogu rezultirati oštećenjem vozila, oštećenjem imovine, ozbiljnim ozljedama ili gubicima života,
- **Kategorija 1R** - Katastrofalni 1R (*engl.* 1R Catastrophic) - kvarna stanja koja se odnose na sustave koji posjeduju redundantnu strukturu i kod kojih nastaju rizici opisani s kategorijom 1 ako otkazu i redundantne komponente,
- **Kategorija 2** - Kritični (*engl.* Critical) - kvarno stanje kod koga se gubi jedan ili više ciljeva misije,
- **Kategorija 2R** - Kritično 2R (*engl.* 2R Critical) - kvarna stanja koja se odnose na sustave koji posjeduju redundantnu strukturu i kod kojih nastaju rizici opisani s kategorijom 2 ako otkazu i redundantne komponente,
- **Kategorija 3** - Značajni (*engl.* Significant) - kvarna stanja koja mogu prouzročiti ozbiljne pogreške u zacrtanim ciljevima misije i
- **Kategorija 4** - Zanemarljivi (*engl.* Minor) - kvarna stanja koja mogu rezultirati beznačajnim gubicima po ciljeve misije.

Vjerojatnost nastanka kvarnog stanja i njegova kritičnost te utjecaj kvarnih stanja na sustav koji se razmatra mogu se kombinirati da bi se dobila kvalitativna procjena rizika.

Tablica 6.1 – FMEA matrica rizika [97].

	Procjena kritičnosti					
Vjerojatnost	4	3	2R	2	1R	1
Visoka	M	M	H	H	H	H
Srednja	L	M	M	M	H	H
Niska	L	L	M	M	M	M

Ljestvica s niskim (L), srednjim (M) i visokim (H) ocjenama koristi se za prepoznavanje slabosti sustava i postavljanje prioriteta u budućem razvoju i poboljšanju konstrukcije i načina

rada bespilotnih letjelica. Jedan način stvaranja matrice rizika s niskim, srednjim i visokim rizikom iz NASA-inih standarda za FMEA prikazan je u tablici 6.1. Primjerice, ako imamo ozbiljnost kvarnog stanja s numeričkom vrijednošću 1, ali s niskom ocjenom vjerojatnosti nastanka kvarnog stanja, tada je njegova ozbiljnost po cjelokupni sustav ocijenjena kao srednja (M) u ranijoj skali od tri vrijednosti. Drugi je način ocjene ozbiljnosti nastalog kvarnog stanja uvođenje RPN broja putem kojeg se kvarno stanje definira preko parametara:

- ozbiljnosti kvarnog stanja,
- učestalost pojave kvarnog stanja i
- mogućnost otkrivanja nastanka kvarnog stanja.

Ovaj je pristup korišten za analizu utjecaja kvarnih stanja za bespilotnu letjelicu s električnim pogonom u [27] i za bespilotnu letjelicu s benzinskim motorima u [105]. Za kvantitativni opis kvarnog stanja, kod ovoga se pristupa koriste ukupno tri vrijednosti u rasponu od 1-5, a to su:

- učestalost nastanka kvarnog stanja (*engl.* occurrence, O u tablici 6.2),
- ozbiljnost kvarnog stanja (*engl.* severity, S u tablici 6.2) i
- mogućnost otkrivanja nastanka kvarnog stanja (*engl.* detection, D u tablici 6.2).

Učestalost nastanka kvarnog stanja (O) podijeljena je u pet kategorija:

- *nikada (1)* - ne očekuje se da će se kvarno stanje dogoditi tijekom životnog ciklusa projektiranog sustava,
- *niska (2)* - očekuje se da će nastanak kvarnog stanja biti jedan ili dva puta tijekom životnog ciklusa projektiranog sustava,
- *srednja (3)* - kvarno stanje javlja se nekoliko puta tijekom životnog ciklusa projektiranog sustava,
- *visoka (4)* - kvarno stanje javlja se relativno često i
- *vrlo visoka (5)* - kvarno stanje javlja se vrlo često.

Ozbiljnost kvarnog stanja (S) također je podijeljena u pet kategorija:

- *bez utjecaja (1)* - nema utjecaja na rad sustava,
- *mala (2)* - utječe samo na mali dio sustava bez gubitka primarnih funkcija,
- *srednja (3)* - dio funkcionalnosti sustava ne radi,
- *visoka (4)* - prouzrokuje gubitak primarne funkcije i
- *Vrlo visoka i opasna* - proizvod postaje neoperativan.

Otkrivanje nastanka kvarnog stanja (D) također je podijeljena u pet kategorija:

- *gotovo sigurna (1)* - nastanak kvarnog stanje moguće je gotovo uvijek otkriti,
- *visoka (2)* - kvarno stanje moguće je otkriti u velikom broju slučajeva nastanka,
- *srednja (3)* - moguće otkrivanje određenog broja kvarnih stanja,
- *niska (4)* - moguće otkrivanje nastanka kvarnog stanja u samo pojedinim slučajevima i

- *vrlo rijetka ili nemoguća (5)* - gotovo je nemoguće otkriti nastanak kvarnog stanja.

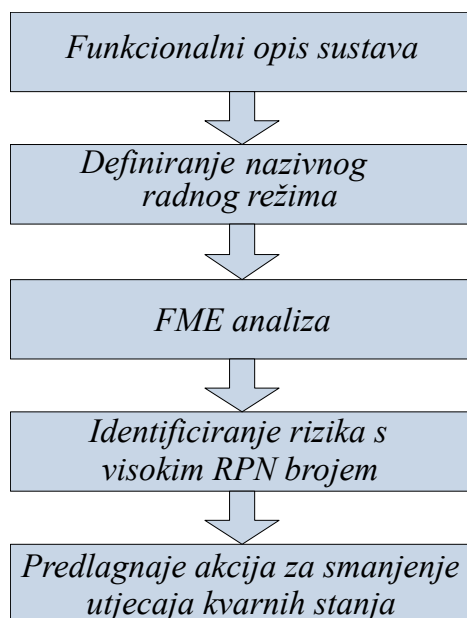
Tablica 6.2 – Ocjene za: (i) učestalost (*engl.* occurrence (O)), (ii) ozbiljnost (*engl.* severity (S)) i otkrivanje (*engl.* detection(D)) pomoću FME analize.

FMEA ocjena					
	Učestalost (O)	Ozbiljnost (S)	Otkrivanje (D)	RPN=O·S·D	
Ocjena	Opis			Vrijednost	Utjecaj
1	Nikada	Bez utjecaja	Gotovo sigurna	1	Bez rizika
2	Niska	Mala	Visoka	≤16	Mali rizik
3	Srednja	Srednja	Srednja	≤30	Srednji rizik
4	Visoka	Visoka	Niska	≤125	Visok rizik
5	Vrlo visoka	Vrlo visoka	Vrlo rijetka		

Vrijednost *RPN* broja dobiva se kao umnožak iznosa navednih triju faktora ($RPN = O \cdot S \cdot D$), a kako je svaki od njih u rasponu od 1 do 5, najveća moguća vrijednost za *RPN* iznosi 125. Međutim, vrijednost *RPN* iznad 30 već se smatra visokim rizikom koji treba dalje analizirati [27]. Ovi visoki rizici mogu se podijeliti u skupine koje predstavljaju kvarna stanja koja se mogu određenim akcijama svesti u nižu rizičnu grupu. Da bi se rizična kvarna stanja svela u nižu rizičnu skupinu trebaju se izdvojiti oni rizici koji imaju visok *RPN* te za njih razmotriti dodatne akcije koje se mogu poduzeti kako bi im se *RPN* smanjio. Ako nakon provedene analize još uvijek imamo kvarna stanja koja imaju visoku vrijednost *RPN*-a može se razmisliti o dodavanju redundantnih komponenata za povećanje funkcionalnosti i sigurnost cijelog sustava. Na taj se način pojednostavljuje analiza moda kvarnog stanja i osigurava se provođenje minimalnih potrebnih radnji za smanjenje rizika i povećanje efikasnosti cijelog sustava

6.3 FME analiza za bespilotnu letjelicu s električnim pogonskim motorima

Detaljan opis provedene FME analize za bespilotnu letjelicu s električnim pogonskim motorima opisan je u radu [27]. Tijek FME analize prikazan je na slici 6.1.

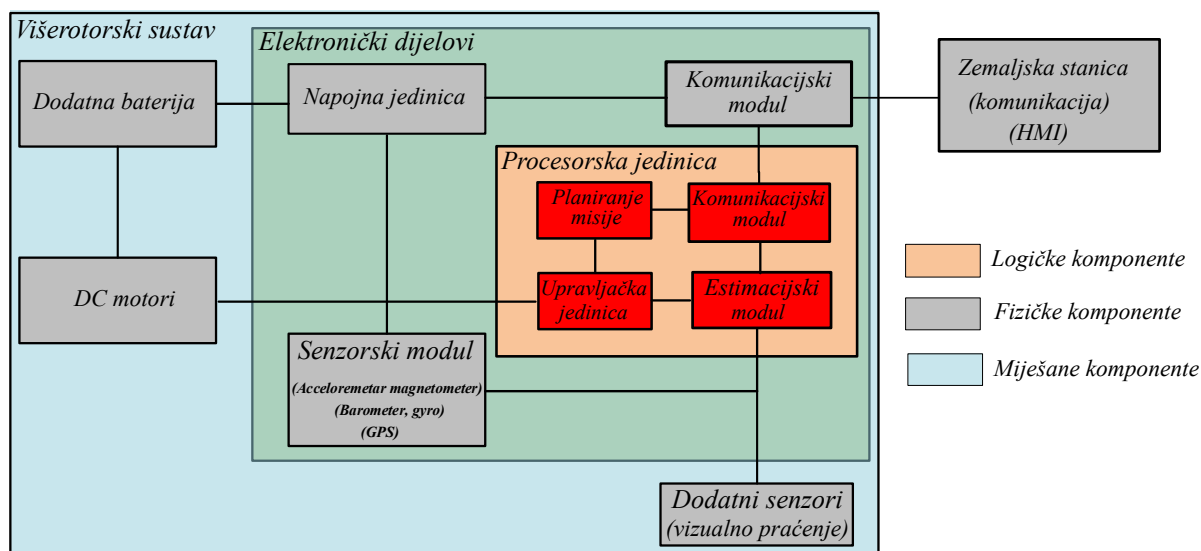


Slika 6.1 – Koraci u provođenju FME analize [27].

Provodeći korake FME analize prikazane na slici 6.1 autor je cijeli sustav bespilotne letjelice podijelio u funkcionalne blokove (*engl.* Functional Block Diagram - FBD) koji predstavljaju fizičke i logičke cjeline sustava. Prikaz fizičkih i logičkih cjelina sustava predočen je na slici 6.2. Kao što se može vidjeti na slici 6.2, sustav bespilotne letjelice podijeljen je u neovisne funkcionalne blokove: fizički dio sustava (aktuatori, senzori, baterija), logički dio sustava (algoritmi za estimaciju stanja, planiranje misije te upravljački algoritam) i mehanički dio sustava (pod nazivom višerotorski sustav). Mehanički dio sustava prikazan je jednim blokom, jer za slučaj da dođe do strukturalnog kvara nema načina da se učinkovito djeluje bilo kakvom akcijom. Između funkcionalnih blokova dana je međusobna ovisnost u vidu linija koje ih povezuju.

Sljedeći je korak definiranje nazivnog radnog režima za bespilotnu letjelicu. Za potrebe analize pretpostavlja se da nazivni radni režim podrazumijeva sljedeće:

- bespilotna letjelica operacije obavlja posredstvom autopilota ili pomoću ručnog upravljanja,
- sigurnosno prizemljenje dostupno je tijekom rada letjelice na zahtjev ili za slučaj identifikacije opasnosti po letjelicu,
- u operacijskom prostoru bespilotne letjelice nema prepreka koje bi ugrozile njezin rad,
- tijekom rada bespilotne letjelice nema udara vjetrova ili je prisutan samo slab vjetar.



Slika 6.2 – Prikaz opće strukture bespilotne letjelice [27].

Primjenom FME analize autor je otkrio 80 mogućih kvarnih stanja na sustavu bespilotne letjelice s električnim pogonskim motorima od kojih 43 imaju *RPN* iznad 30 i predstavljaju komponente s visokim prioritarnim rizicima. Od 80 mogućih kvarnih stanja, u tablici 6.3. prikazan je dio kvarnih stanja s visokim *RPN* brojem ($RPN > 30$).

Tablica 6.3 – Prikaz dijela kvarnih stanja s visokim *RPN* brojem [27].

Dio rezultirajuće FMEA tablice s visokim vrijednostima <i>RPN</i> broja					
	Kvarno stanje	Utjecaj	Uzrok	Preporuka	<i>RPN</i>
A.301 baterija	pad napona ispod dopuštenog	gubitak napajanja → gašenje sustava	niska razina napona, ignoriranje očitavanja	mjerenje napona/ alarmiranje korisnika	50
A.302 baterija	kvar na bateriji	gubitak napajanja → deaktivacija sustava	oštećena baterija	nema preporuke	50
C.101 letna el.	nizak napon	baterija	nema napajanja	nema preporuke	50
G.201 pogonski motor	MCU ne radi	softverska pogreška	neispravna propulzija kratki spoj na bateriji	nema preporuke	50
E.201 gyros	nema signala	pogrešan signal	brze promjene varijabli upravljanje nestabilno	nema preporuke	50
A.402 prop.	odstupanje od ref. momenta	gubitak upravljivosti	gubitak rotora gubitak motora	adaptivno upravljanje	48

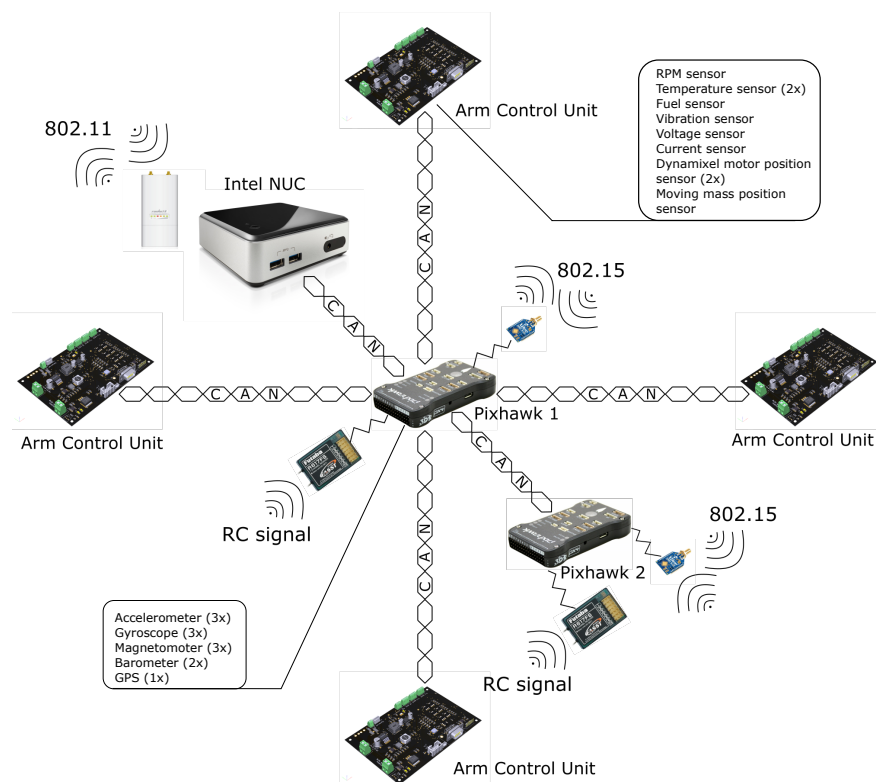
U tablici 6.3, autor prikazuje dijelove sustava koji mogu imati kvarno stanje, daje opis što ga eventualno može prouzročiti, na što kvarno stanje utječe te predložene akcije koje se mogu poduzeti da se spriječe učinci nastanka kvarnog stanja: podjelom u funkcionalne blokove. Korištenjem navedene FME analize definirane su sljedeće skupine kojima treba smanjiti rizik:

- Sustav pogona
- Sabirnica za upravljanje motorima
- Upravljačka elektronika
- Baterija

Moduli s visokom vrijednošću *RPN* broja koji su sastavljeni od elektroničkih komponenata su:

- napajanje,
- akcelerometri,
- žiroskopi,
- magnetometri,
- kontroler motora bez četkica i
- elektronika za upravljanje letom.

Od pobrojanih komponenata veći se dio odnosi na senzore i upravljačku elektroniku. Kako se radi o komponentama koje dopuštaju redundanciju to se uvođenjem dodatnih senzora i upravljačke elektronike može povećati pouzdanost sustava kako je to napravljeno u radu [105].



Slika 6.3 – Primjer izvedbe s redundancijom uvođenjem dodatnih elektroničkih komponenata [105].

Primjer dodavanja redundancije elektroničkih komponenata prikazan je na slici 6.3 [105]. Kod predloženog tipa redundancije, algoritam upravljanja provodi se kroz dvije faze: (i) niža razina upravljanja (implementiran na Pixhawk) i (ii) viša razina planiranja (implementiran na Intel Nuc platformi). U predloženoj izvedbi koriste se dvije Pixhawk jedinice povezane paralelno, gdje svaka jedinica ima svoje senzore (3x akcelerometar, 3x žiroskop, 3x magnetometar, 2x barometar). Uvedena redundantnost rješava problem naveden u provedenoj FME analizi za bespilotnu letjelicu s električnim pogonskim motorima. Uvođenjem dodatne elektroničke strukture snižava se *RPN* broj za korištene senzore i elektroniku za upravljanje sustavom bespilotne letjelice.

Potrebno je razmotriti preostale komponente koje imaju visok *RPN* broj. Kako je autor naveo, preostali funkcionalni blokovi koji imaju visok *RPN* povezani su s gubitkom napona i propulzije. Ako nosivost sustava bespilotne letjelice to može dopustiti, onda se može koristiti dodatna baterija. Ostaje još razmotriti problem vezan za propulziju kod bespilotnih letjelica. Kao jedan od mogućih načina snižavanja *RPN* broja vezana za propulziju autor predlaže: (i) korištenje bespilotne letjelice koja ima više pogonskih motora nego što je neophodno za generiranje referentnog upravljačkog signala (heksakopter ili oktokopter), (ii) pažljiv odabir smjerova vrtnje pogonskih motora, (iii) korištenje tehnike za identifikaciju nastanka kvarnog stanja i (iv) upravljanje koje se može svojom strukturom prilagoditi na nastanak kvarnog stanja.

6.4 Definiranje mjere za procjenu završetka misije

FME analiza koja je provedena u prethodnom potpoglavlju može ukazati koji od pojedinih dijelova sustava mogu biti kritični za sustav u cjelini. Nakon što se provede potrebna analiza i odrede kritične komponente u sustavu može se pristupiti određenim akcijama za smanjenje *RPN* broja za pojedine kritične komponente, te tako dobiti pouzdaniji sustav. U prethodnim je poglavljima disertacije također pokazano da mogućnost letjelice da prati referentnu trajektoriju, a samim time izvršava planiranu misiju, ovisi o upravljanju koje joj je na raspolaganju, bez obzira na posjedovanje redundantne strukture. Također u analizi koja je provedena za utjecaj broja motora kao i smjera njihove vrtnje, pokazano je da su određene strukture otpornije od drugih za slučaj jednostrukog i dvostrukog kvarnog stanja na motorima. Ako bi se i planiranje misije izvelo tako da se uvažavaju mogućnosti nastanka kvarnog stanja tada bi imali i planiranje koje je prilagođeno odabranoj strukturi i kvarnim stanjima koji mogu nastati na strukturi bespilotne letjelice. Uvažavajući sve navedene činjenice, možemo definirati *RPN* broj za procjenu završetka misije koji se računa kao $RPN = L \cdot U \cdot K \cdot P$, gdje su

- *L*- tip korištene letjelice,
- *U*- upravljanje primijenjeno na bespilotnoj letjelici,
- *K*- tip kvarnog stanja i
- *P*- planiranje misije prilagođeno nastanku kvarnog stanja.

Tip korištene letjelice (L) podijeljen je u pet kategorija:

- *višerotorski sustav s brojem rotora ≥ 10* - brojčana vrijednost (1),
- *oktokopter PPNNPPNN* - brojčana vrijednost (2),
- *oktokopter PPNPNPN* - brojčana vrijednost (3),
- *heksakopter* - brojčana vrijednost (4) i
- *kvadkopter* - brojčana vrijednost (5).

Upravljanje primijenjeno na bespilotnoj letjelici (U) podijeljeno je u četiri kategorije:

- *prilagođeno upravljanje* - brojčana vrijednost (1),
- *djelomično prilagođeno* - brojčana vrijednost (2),
- *robusno upravljanje* - brojčana vrijednost (3) i
- *neprilagođeno upravljanje* - brojčana vrijednost (4).

Tip kvarnog stanja (K) podijeljen je na tri brojčane vrijednosti (koristimo tablice dobivene analizom utjecaja tipa letjelice i smjerova vrtnje motora):

- *bez kvarnog stanja* - brojčana vrijednost (1),
- *jednostruki prilagodljiv* - brojčana vrijednost (1),
- *jednostruki neprilagodljiv* - brojčana vrijednost (10),
- *dvostruki prilagodljiv* - brojčana vrijednost (3) i
- *dvostruki neprilagodljiv* - brojčana vrijednost (10).

Planiranje misije prilagođeno nastanku kvarnog stanja (P) podijeljeno je u tri kategorije:

- *potpuno prilagođeno* - brojčana vrijednost (1),
- *djelomično prilagođeno* - brojčana vrijednost (2) i
- *neprilagođeno* - brojčana vrijednost (3).

Definiranom mjerom može se procijeniti završetak misije ovisno o tipu letjelice, korištenom upravljanju, tipu kvarnog stanja i korištenom planeru gibanja. U najnepovoljnijem slučaju mjera bi dala vrijednost iznosa 600, međutim s aspekta sigurnosti i željenog završetka misije sve vrijednosti iznad 40 bi trebale biti razmotrene. Analogno postupku FME analize u prethodnom potpoglavlju, potrebno je razmotriti šta se može učiniti da bi se *RPN* broj spustio na nižu vrijednost. U konkretnom slučaju bi se moglo razmisliti o odabiru drugačijeg tipa letjelice, drugog algoritma upravljanja ili korištenjem pouzdanijih komponenata na sustavu bespilotne letjelice. Od definiranih faktora koji tvore mjeru za procjenu završetka misije neophodno je još definirati planiranje gibanja koje bi u obzir uzelo tip letjelice i tip kvarnog stanja, što je obrađeno o sljedećem poglavlju.

Poglavlje 7

Planiranje gibanja bespilotne letjelice zasnovano na analizi kvarnih stanja vezanih za misiju

U ovom je poglavlju predstavljen novi alat za planiranje gibanja bespilotnih letjelica zasnovan na dopustivom skupu vektora upravljanja koji se dobiva analizom utjecaja mogućih kvarnih stanja. Na taj se način, uzimajući u obzir kvarna stanja koja mogu nastati, dobiva takva trajektorija koja omogućuje manevre bespilotne letjelice bez odstupanja od referentne krivulje. Takvim se planiranjem osigurava izvršenje misije, naravno, da će se misija izvršiti uz nešto duže vrijeme trajanja misije, ali bez narušavanja performansi sustava. Također, ovaj je pristup manje konzervativan od pristupa koji bi uzeo u obzir nastanak svih mogućih kvarnih stanja.

7.1 Prikaz dopuštenog skupa upravljačke varijable korištenjem nejednadžbi

Kao što je pokazano u 4. poglavlju, ovisno o tipu bespilotne letjelice (broj pogonskih motora i smjerova vrtnje rotora) te o tipu kvarnog stanja koje može nastupiti na bespilotnoj letjelici tijekom misije, dopušteni skup vektora upravljačke varijable može biti različit. Također, u provedenoj je analizi pokazano da se dobiveni dopustivi skup upravljačke varijable može prikazati kao politop u četverodimenzionalnom prostoru kod kojeg su vanjska područja dijelovi hiperravnine koja se formira tako da sadrži četiri poznate točke. Koordinate toga četverodimenzionalnog prostora su sila uzgona T i momenti τ_x , τ_y and τ_z oko osi X , Y i Z . Svaka od ovih hiperravnina može se predstaviti nejednadžbom oblika:

$$aT + b\tau_x + c\tau_y + d\tau_z \leq e, \quad (7.1)$$

gdje su a , b , c i d i koeficijenti nagiba pojedinih osi a e slobodni član. Ako u razmatranom prostoru imamo poznate četiri točke, tada se koeficijenti a , b , c , d i e mogu odrediti pomoću jednadžbe hiperravnine kroz četiri točke, koja mora zadovoljiti sljedeću relaciju:

$$\begin{vmatrix} x - x_1 & y - y_1 & z - z_1 & w - w_1 \\ x - x_2 & y - y_2 & z - z_2 & w - w_2 \\ x - x_3 & y - y_3 & z - z_3 & w - w_3 \\ x - x_4 & y - y_4 & z - z_4 & w - w_4 \end{vmatrix} = 0$$

Kako je dopustivi skup upravljačke varijable zapravo politop, s vanjskim granicama sastavljenim od dijelova ovih hiperravnina, cijelo se unutarnje područje politopa, odnosno dopustivi skup upravljačke varijable, može predstaviti skupom nejednadžbi za konkretni tip bespilotne letjelice i njezinih kvarnih stanja. Za slučaj oktokoptera s PNPNPNPN smjerovima vrtnje rotora bez kvarnih stanja, područje vrijednosti upravljačke varijable može se prikazati kao skup 617 nejednadžbi. U slučaju da je jedan od pogonskih motora u kvarnom stanju, broj nejednadžbi se smanjuje, dok se u ekstremnom slučaju kada su svi pogonski motori u kvarnom stanju, dopustivo područje svodi se na jednu točku, tj. $u_{ref} = [T \quad \tau_x \quad \tau_y \quad \tau_z] = [0 \quad 0 \quad 0 \quad 0]$.

Na opisani se način dopustivi skup upravljačke varijable, koja je predstavljena s politopom u četverodimenzionalnom prostoru koordinata $(T, \tau_x, \tau_y, \tau_z)$, može prevesti u konačan broj nejednadžbi koje opisuju ekvivalentno dopustivo područje. Osnovna je pretpostavka, koju koristimo, da se umjesto standardnog korištenja fiksnih ograničenja (s donje i gornje strane), korištenjem skupa ograničenja opisanih s ovako dobivenim nejednadžbama, sustavom upravljati u optimalnom smislu. Time se generira putanja uz koju su svi manevri izvedivi bez narušavanja nejednadžbi koje opisuju skup dopuštenih vrijednosti upravljačke varijable. Također, znajući da može doći do kvara na pojedinim pogonskim motorima sustava, tu pretpostavku možemo uzeti u obzir te generirati novi skup nejednadžbi koje odgovaraju takvom kvarnom stanju. Korištenjem novog skupa nejednadžbi koje planer uzima u obzir generira se drugačiji tip manevara uz koje su zadovoljene sve putne točke od interesa uz zadržavanje nazivnih performansi sustava. Drugim riječima, ako bismo koristili samo ograničenja s donje i gornje strane ne bismo mogli uzeti u obzir međuovisnosti koje postoji između komponenata upravljačke varijable. Ako bi se za donje i gornje ograničenje uzele najmanje i najveće dopuštene vrijednosti pojedinih komponenti, onda bi se prilikom planiranja gibanja moglo dogoditi da određeni manevri u stvarnosti neće biti izvedivi zbog spomenute međuovisnosti komponenata upravljačke varijable. S duge stane, ako se uzmu konzervativnije vrijednosti za gornju i donju vrijednost, svi manevri će biti izvedivi, ali će ukupna manevarabilnost letjelice biti smanjena odnosno nećemo moći koristiti sve manevre

koje sama letjelica omogućuje. Zbog toga bi predloženi planer trebao biti između ova dva krajnja slučaja te da nam omogući optimalno planiranje gibanja za određenu misiju koju bespilotna letjelica treba izvršiti.

7.2 Predloženi optimizacijski okvir za planiranje gibanja

U 3. poglavlju pokazano je da za potrebe praćenja generirane referentne trajektorije koordinate x i y moraju biti najmanje četiri puta diferencijabilne, a visine z i orijentacije ψ najmanje dva puta diferencijabilne. U istom je poglavlju pokazano da se vrijednosti orijentacije za kutove ϕ i θ dobivaju kao posljedica referentnih vrijednosti za x i y koordinate pozicije (zbog ranije definiranog ravnosnog preslikavanja). Prema iznesenome, koordinate visine z i orijentacije ψ ponašaju se kao dvostruki integrator:

$$\ddot{q} = u, \quad (7.2)$$

a koordinate za poziciju po x i y kao četverostruki integrator:

$$\ddot{\ddot{q}} = u, \quad (7.3)$$

gdje q , \dot{q} i \ddot{q} predstavljaju generaliziranu koordinatu, te njezinu brzinu i ubrzanje, respektivno. U našem slučaju je: $q = [x \ y \ z \ \psi]$.

Minimizacijom potrebnog ubrzanja (7.2) i "puckanja" (*engl. snap*) (7.3) dobivamo minimalne iznose upravljačke varijable uz koje bespilotna letjelica može pratiti zadanu trajektoriju. Provedena minimizacija, također, podrazumijeva da će se u sustavu minimizirati potrošnja energije, uzimajući u obzir ograničenja koja su nametnuta na putanji, čime se osigurava da potrošnja baterije tijekom misije bude minimalna. Detaljan opis metode planiranja gibanja zasnovan na minimalnom ubrzanju i "puckanju" može se naći u [106].

Na temelju ovih razmatranja, problem planiranja gibanja može se opisati kao problem optimizacije na ograničenom vremenskom horizontu:

$$\underset{0 \leq t \leq T}{\text{minimum}}(\|\ddot{q}\|^2)$$

uz ograničenja:

$$\begin{aligned} q_{min} &\leq q \leq q_{max} \\ \dot{q}_{min} &\leq \dot{q} \leq \dot{q}_{max} \\ \ddot{q}_{min} &\leq \ddot{q} \leq \ddot{q}_{max}, \end{aligned} \quad (7.4)$$

gdje je konačni horizont za izvršenje misije dan s vremenom T . Tijekom izvršavanja misije, uobičajeno se zadaju točke od interesa kroz koje bespilotna letjelica treba proći, pa je stoga neophodno te točke uključiti u optimizacijski okvir. Jedan je od mogućih načina uključivanja tih točaka njihovim postavljanjem kao kruta ograničenja, odnosno definiranjem udaljenosti između ostvarene točke kroz koju sustav prolazi i točke kroz koju treba proći. Međutim, ako se referentne točke uključe kao kruta ograničenja, može se dogoditi da optimizacija neće biti moguća, ako sustav ne može doseći barem jednu točku, zbog ograničenja koja mogu biti prisutna tijekom izvršavanja misije. Cilj je planiranja osigurati da planer generira putanju koja uključuje većinu točaka (ako ne može uključiti sve) ili koja daje minimalno odstupanje od njih (odstupanje od točaka od interesa može se koristiti i kao mjera uspješnosti za zadanu misiju). Iz tog smo razloga, umjesto uključivanja točaka od interesa kao krutih ograničenja koja moraju biti zadovoljena, te točke uključili u kriterijsku funkciju, kako slijedi:

$$\underset{0 \leq t \leq T}{\text{minimum}}(\|\ddot{q}\|^2 + \sum_i \alpha_i (\|q - q_i\|^2))$$

uz ograničenja:

$$\begin{aligned} q_{min} &\leq q \leq q_{max} \\ \dot{q}_{min} &\leq \dot{q} \leq \dot{q}_{max} \\ \ddot{q}_{min} &\leq \ddot{q} \leq \ddot{q}_{max}, \end{aligned} \tag{7.5}$$

gdje se težinski faktori $0 \leq \alpha_i \leq 1$ koriste za opis značaja svake pojedine točke q_i na referentnoj putanji, odnosno koliko je prolaz kroz pojedinu točku značajan tijekom izvršavanja misije. U ovome radu nisu razmatrani različiti iznosi težina faktora α_i , odnosno u predloženom su optimizacijskom okviru svi težinski faktori $\alpha_i = 1$ za svako i . Oznaka i označava sve točke od interesa na referentnoj putanji.

Na temelju izraza (3.33), (3.42) i (3.46), koje daju vezu između sile potiska T i momenata τ_x , τ_y i τ_z s poopćenim koordinatama q , moguće je u predloženi optimizacijski okvir uključiti nejednadžbe, koje opisuju dopušteni skup upravljačke varijable u_{ref} (odnosno pripadajući politop) koji je ovisan o tipu odabrane letjelice i kvarnom stanju. Ovime dobivamo konačni oblik predloženog optimizacijskog okvira za planiranje gibanja, ovisno o dopustivom skupu upravljačke varijable:

$$\underset{0 \leq t \leq T}{\text{minimum}}(\|\ddot{q}\|^2 + \sum_i \alpha_i (\|q - q_i\|^2))$$

uz ograničenja:

$$q_{min} \leq q \leq q_{max}$$

$$\dot{q}_{min} \leq \dot{q} \leq \dot{q}_{max} \quad (7.6)$$

$$aT + b\tau_x + c\tau_y + d\tau_z \leq e.$$

Na opisani su način u optimizacijski okvir uvedena ograničenja dopustivog skupa upravljačke varijable, definirane sa (7.1), koja proistječu iz tipa odabrane letjelice i smjerova vrtnje rotora. Pored poopćene koordinate q , koju se optimizira, potrebna nam je druga i četvrta derivacija poopćene koordinate, to jest \ddot{q} i $\ddot{\ddot{q}}$. Potrebne derivacije možemo dobiti diskretizirajući poopćenu koordinatu q . Primjerice, prvu diferenciju možemo računati kao:

$$\dot{q} = \frac{q(i) - q(i-1)}{\Delta t}, \quad (7.7)$$

gdje je: $\Delta t = T/N$, T vrijeme izvršavanja misije, a N broj točaka u kojima tražimo optimizaciju (N dodatnih točaka koje postavljamo između početnih točaka od interesa). Kako bi u fazi planiranja gibanja bespilotne letjelice uzeli u obzir kvarna stanja koja mogu nastati tijekom izvršavanja misije, moguće je uključiti ograničenja koja se odnose na dopušteni skup upravljačke varijable za konkretno kvarno stanje. Ako u prostoru u kojem se izvršava misija postoje prepreke koje onemogućuju prolazak letjelice kroz sve referente putne točke, a pri tome treba izbjeći i moguće kolizije s preprekama, tada se u optimizacijski okvir može dodati dodatni uvjet koji sprječava kolizije. Potrebno je definirati sigurnosnu udaljenost R_{sig} ispod koje se letjelica ne smije približiti prepreci. Dodavanjem toga uvjeta u optimizacijski okvir (7.6) dobiva se prošireni optimizacijski okvir koji uključuje ograničenje za izbjegavanje kolizije s preprekama:

$$\underset{0 \leq t \leq T}{\text{minimum}}(\|\ddot{q}\|^2 + \sum_i \alpha_i (\|q - q_i\|^2)),$$

uz ograničenja

$$q_{min} \leq q \leq q_{max}$$

$$R_{sig} \leq |q - q_{pr}| \quad (7.8)$$

$$\dot{q}_{min} \leq \dot{q} \leq \dot{q}_{max}$$

$$aT + b\tau_x + c\tau_y + d\tau_z \leq e.$$

gdje je q_{pr} koordinata prepreke. Informacija o mogućnosti nastanka kvarnih stanja na bespilotnoj letjelici tijekom izvršavanja misije može dobiti primjenom FME analize [27], [105], koja je opisana u prethodnom poglavlju. Međutim, planer gibanja koji bi uzeo u razmatranje sve

nejednadžbe proistekle iz određenog kvarnog stanja bio bi jako konzervativan, pa ga u daljnjem tekstu nazivamo konzervativnim planerom gibanja odnosno **RCP planerom gibanja** (*engl. Risk-Conservative Planer*). Zbog činjenice da bi ovako definiran planer bio jako konzervativan, u sljedećem potpoglavlju opisujemo način odabira samo nekih od nejednadžbi vezanih za konkretnu misiju koju se planira.

7.3 Planer gibanja zasnovan na riziku proisteklom na misiji zasnovanoj FME analizi kvarnih stanja

U ovom potpoglavlju opisujemo način uzimanja u obzir dijela nejednadžbi koje mogu proisteći iz razmatranih kvarnih stanja na sustavu bespilotne letjelice, koja mogu nastupiti tijekom izvršavanja misije. Namjera je da se pri planiranju gibanja uzme u obzir mogući nastanak kvara na bespilotnoj letjelici tijekom izvršavanja misije, te u slučaju da se kvarno stanje stvarno dogodi njegov utjecaj na izvršenje misije bude što je moguće manji. Planer gibanja koji uzima u obzir samo nejednadžbe koje opisuju konkretno kvarno stanje u daljnjem tekstu zovemo na rizik osjetljiv planer gibanja ili **RSP planerom gibanja** (*engl. Risk-Sensitive Planer*). Pretpostavka je da će narušavanje performansi biti manje ako se koristi RSP planer gibanja nego ako se koristi konzervativni RCP planer gibanja. Također, pretpostavka je da će uz očuvanje nazivnih performansi RSP planeru gibanja trebati više vremena za izvršenje misije, nego kada imamo planiranje koje uopće ne uzima u obzir mogući nastanak kvarnog stanja. Planiranje gibanja koje ne uzima u obzir mogućnost nastanka kvara na sustavu bespilotne letjelice u daljnjem tekstu zovemo standardni planer gibanja ili **RIP planer gibanja** (*engl. Risk-Insensitive Planer*).

U slučaju kada kvarno stanje nastupi, bespilotna letjelica može biti u takvom položaju da upravljačka alokacije može trenutačno generirati referentno upravljanje, preko preostalih ispravnih pogonskih motora, tako da ne dođe do narušavanja performansi sustava. S druge strane, u trenutku kvara, bespilotna letjelica može biti u fazi izvršavanja zahtjevnog manevra kada nije u stanju izvršiti generiranje potrebnog referentnog upravljanja, pomoću raspoloživih pogonskih motora, zbog čega može doći do narušavanja performansi sustava. Ideja je da se u predloženi RSP planer gibanja, umjesto svih nejednadžbi, uključe samo one koje mogu biti narušene za konkretno planiranu misiju. Na taj bi se način osigurao nastavak izvršavanja planirane misije uz zadovoljavajuću performansu sustava. RSP planer planira gibanja tako da ograničava samo određene manevre prilikom izvršavanja misije, odnosno dio manevra će biti manje ograničeni nego u slučaju korištenja RCP planera gibanja.

Projektiranje RSP planera gibanja provodi se u sljedećim koracima:

1. Odabirati modove kvarnog stanja koji su proistekli iz FME analize (npr. jednostruki kvar na pogonskom motoru),

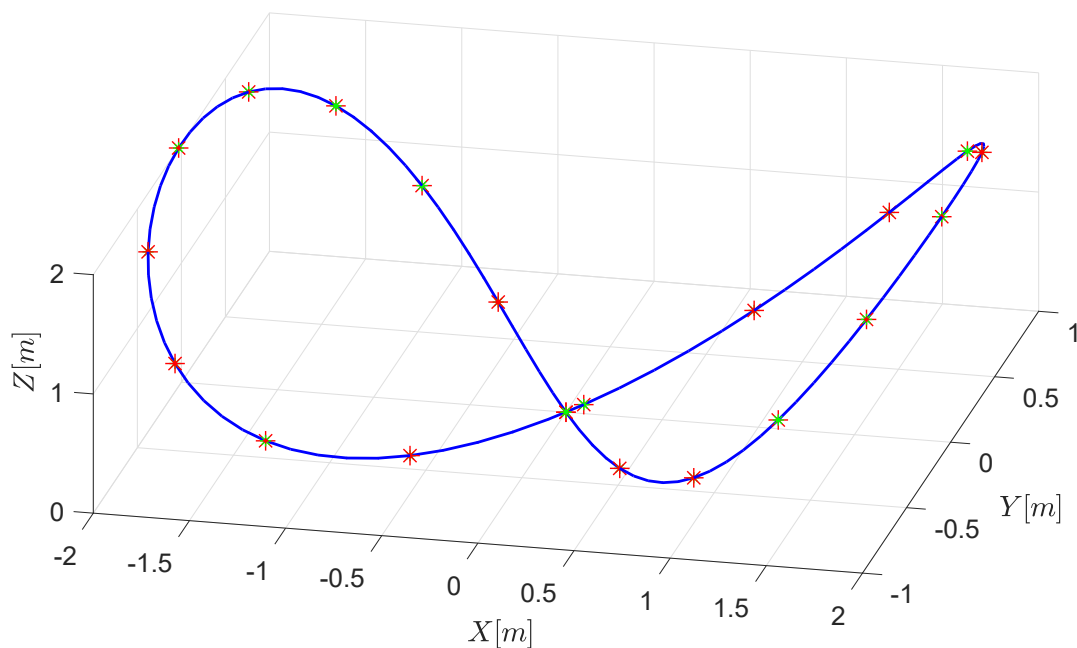
2. Odrediti minimalno vrijeme izvršenja misije za slučaj bespilotne letjelice bez kvarnog stanja (*RIP* planer gibanja) uz zadovoljenje nazivnih performanci (prolazak kroz putne točke od interesa),
3. Odrediti minimalna vremena izvršenja misije za sve *RCP* planere gibanja, ovisno o mogućem kvarnom stanju (za slučaj jednostrukog kvarnog stanja odrediti ograničenja koja proisteknu iz svakog pojedinačnog jednostrukog kvara) uz zadovoljenje nazivnih performansi (prolazak kroz točke od interesa),
4. Od svih vremena dobivenih u 3. koraku odrediti maksimalno vrijeme izvršenja misije kako bi se zadržale nazivne performanse za sva moguća kvarna stanja (prolazak kroz putne točke od interesa). To vrijeme izvršenja postaviti za vrijeme izvršenja misije,
5. Odrediti sve nejednadžbe koje bi bile narušene za slučaj planiranja s *RIP* planerom gibanja (s njegovim dobivenim vremenom izvršenja) u odnosu na dopustivi skup upravljačke varijable za sva moguća kvarna stanja, tijekom izvršavanja planirane misije za vrijeme izvršenja misije određeno u 4. koraku),
6. Potrebno je sve nejednadžbe koje su dobivene u 5. koraku uključiti u početni skup nejednadžbi koje opisuju dopustivi skup upravljačke varijable za slučaj bez kvarnog stanja, te izvršiti planiranje gibanja s novodobivenim skupom ograničenja upravljačke varijable uz zadovoljenje nazivnih performansi sustava (prolazak kroz putne točke od interesa).

Optimizacijski okvir koji se provodi kroz prethodno opisanih šest koraka predstavlja predloženi *RSP* planer gibanja. U sljedećem potpoglavlju prikazujemo rezultate planiranja gibanja predloženi, *RSP* planerom.

7.4 Rezultati dobiveni primjenom *RSP* planera gibanja

U skladu s razmatranjima provedenim u 4. poglavlju, kao platformu na kojoj razmatramo predloženi planer gibanja odabrali smo oktokopter s PPNNPPNN smjerovima vrtnje rotora, jer je pokazao najveću otpornost na kvarna stanja. Za objašnjenje rada predloženog planera gibanja odabrali smo takvu vrstu misije u kojoj je zahtijevana stalna promjena sile uzgona T i momenata τ_x i τ_y , kako bi se pokazalo da ograničenja međusobno ovise jedna o drugima te da je za određene manevre potreban ili veći iznos pojedinih komponenata upravljačke varijable ili dodatno vrijeme za izvršenje manevra. Takvo će ponašanje do izražaja doći kada nastupi kvarno stanje te se dopustivo područje vrijednosti upravljačke varijable smanji po jednoj komponenti ili više njih. Za točke od interesa za misiju uzeli smo točke koje se dobivaju jednolikim uzorkovanjem Vivijanijeve krivulje u trodimenzionalnom prostoru (uzeli smo 21 točku, slika 7.1). Za potrebe optimizacijskog okvira proračun je izvršen u ukupno 210 točaka ($N = 210$, tj. između svake točke od interesa postavili smo dodatnih 10 točaka).

Za ocjenu kvalitete generirane putanje definiramo dvije pogreške: (i) pogreška pozicije e_R i



Slika 7.1 – Uzorkovanje Vivijanijeve krivulje jednoliko u 21 točki.

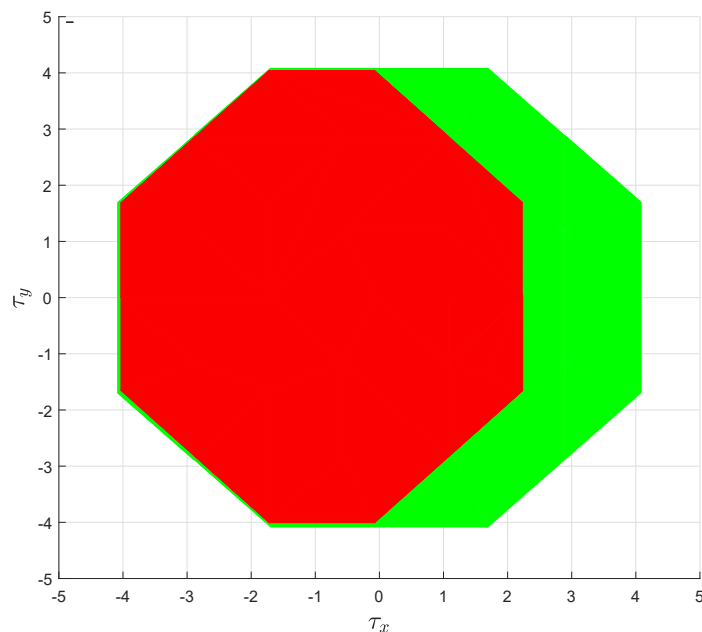
(ii) pogreška orijentacije e_ψ kao

$$e_R = \sum_i \sqrt{(x_i - x_{ref_i})^2 + (y_i - y_{ref_i})^2 + (z_i - z_{ref_i})^2} \quad (7.9)$$

$$e_\psi = \sum_i \sqrt{(\psi_i - \psi_{ref_i})^2}. \quad (7.10)$$

Slučaj 1: Radi ilustracije, prvo razmotrimo slučaj gdje je FME analiza pokazala da je moguć nastanak jednostrukog kvara na pogonskom motoru 1 (korak 1 predloženog *RSP* planera). Na slici 7.2 prikazan je dopušteni skup upravljačke varijable za slučaj jednostrukog kvarnog stanja na motoru 1 (označen crvenom bojom na slici 7.2) u odnosu na dopušteni skup upravljačke varijable za slučaj bez kvarnog stanja (označen zelenom bojom na slici 7.2 u kojoj je sadržano i umanjeno područje vrijednosti upravljačke varijable, područje označena crvenom bojom 7.2)

Zatim provodimo korake 2 i 3 predloženog *RSP* planera. Rezultati provedenih koraka prikazani su u tablici 7.1. Kako se vidi iz tablice 7.1, minimalna vremena uz zadovoljenje performansi praćenja su 16 [s] za *RIP* planer (korak 2 predloženog *RSP* planera) i 20 [s] za *RCP* planer (korak 3 predloženog *RSP* planera). Za usporedbu performansi sva tri planera u skladu s korakom 5 *RSP* planera gibanja potrebno je izvršiti provjeru koje nejednadžbe nisu zadovoljene tijekom izvršavanja misije za *RIP* planer. Provjeru provodimo u odnosu na skup vrijednosti upravljačke varijable koji se dobiva za kvarno stanje na motoru 1. Za dani primjer, za slučaj *RIP* planera, generirane upravljačke varijable narušavaju dvije nejednadžbe (od 440 koje opisuju dopustivi skup upravljačke varijable) u ukupno 111 slučajeva vezanih uz 99 pozicija (od



Slika 7.2 – Prikaz područja vrijednosti upravljačke varijable za slučaj bez kvarnog stanja (označena zelenom bojom) i slučaj jednostrukog kvarnog stanja na motoru 1 (označena crvenom bojom).

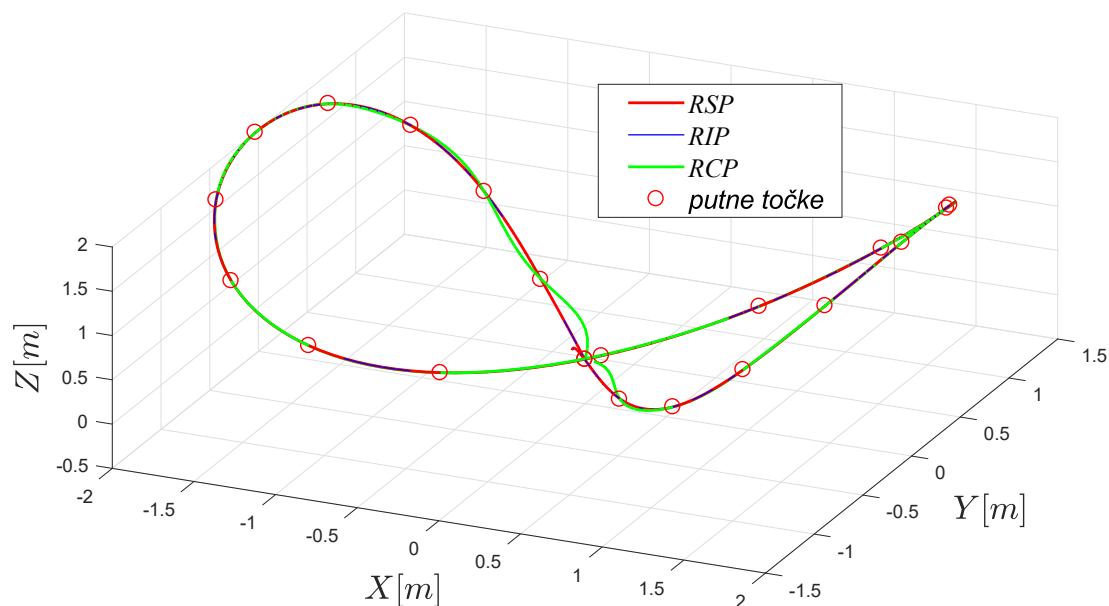
Tablica 7.1 – Usporedba performansi za *RIP* i *RCP* planer (Slučaj 1, koraci 1, 2 i 3).

Performansa	T [s]	e_R [m]	e_R/N [m]	e_Ψ [rad]	e_Ψ/N [rad]
<i>RIP</i> planer	16	0,0412	0,0019	4e-12	4e-13
<i>RCP</i> planer	20	0,0566	0,0027	1e-18	5e-21

mogućih 210 točaka koliko se koristilo u optimizacijskom okviru). Sada je za primjenu *RSP* planera potrebno uključiti te dvije dobivene nejednadžbe u početni skup nejednadžbi te izvršiti planiranje gibanja za novo dobiveno vrijeme T (korak 6 *RSP* planera).

Radi korektnosti usporedbe performansi izvršili smo i ponovno planiranje s *RIP* planerom za vrijeme od $T = 20$ [s]. Planirane putanje dobivene primjenom *RIP*, *RCP* i *RSP* planera za vrijeme izvršenja misije od $T = 20$ [s] prikazane su na slici 7.3. Iz slike 7.3 može se uočiti da *RSP* i *RIP* planeri imaju gotovo identičnu putanju dok *RCP* planer ima nešto drugačiju, što je posljedica oblika dopuštenih vrijednosti upravljačke varijable koju *RCP* planer uzima u obzir. Naime, neki manevri koji su dopušteni *RIP* i *RSP* planeru, nisu izvedivi s *RCP* planerom. Sva tri planera prolaze kroz zadane putne točke s tim da je odstupanje od njih najveće kod *RCP* planera. Međutim, treba imati na umu da je planiranje za *RIP* planer izvršeno s pretpostavkom da kvarno stanje neće nastupiti, te smo ponovo izvršili provjeru dobivenih upravljački varijabli *RIP* i *RSP* planera za dopustivi skup varijabli za kvarno stanje na motoru 1.

Usporedba rezultata svih triju planera za maksimalno dobiveno vrijeme od 20 [s] dana je u



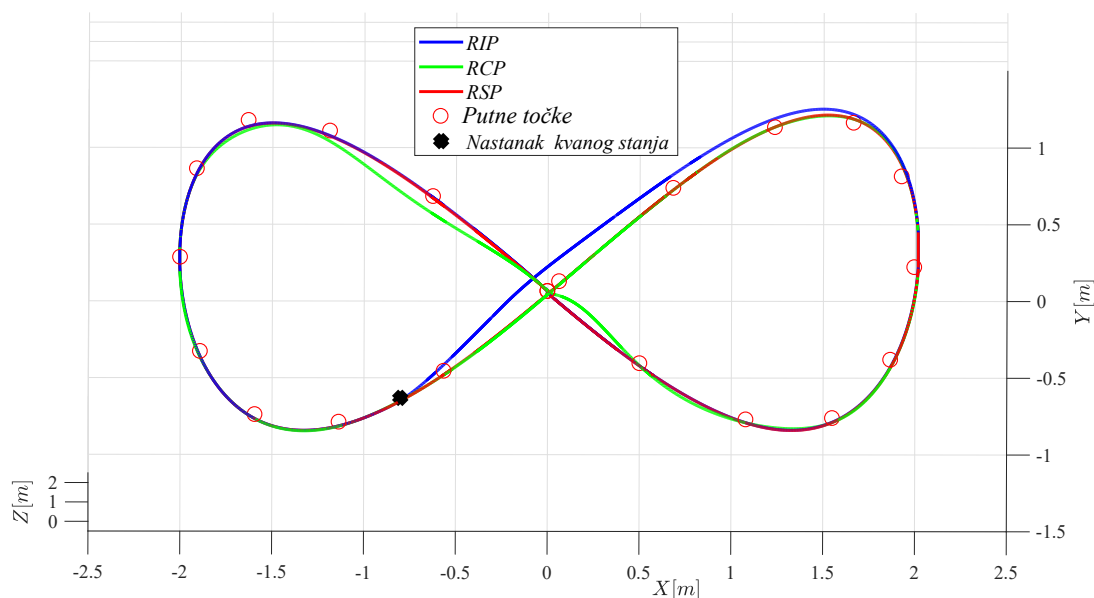
Slika 7.3 – Generirane putanje primjenom *RIP*, *RCP* i *RSP* planera gibanja za vrijeme izvršavanja misije od 20 sekundi.

Tablica 7.2 – Usporedba performansi *RIP*, *RCP* i *RSP* planera gibanja za $T = 20$ [s] (Slučaj 1, koraci 5 i 6).

Performansa	T [s]	e_R [m]	e_Ψ [rad]	narušena ograničenja
<i>RIP</i> planer	20	0,038	5e-19	51
<i>RCP</i> planer	20	0,057	1e-18	0
<i>RSP</i> planer	20	0,038	1,25e-18	0

tablici 7.2. Kako se može uočiti iz dobivene tablice, *RIP* i *RSP* planer imaju slične performanse, koje su bolje od performansi postignutih s *RCP* planerom. S druge strane, *RIP* planer je narušio nejednadžbe dopuštenog skupa upravljačke varijable 51 puta, što je manje od 111 koliko je bilo u slučaju izvršenja misije za $T = 16$ [s] (narušavanje određenog broja nejednadžbi može dovesti do pogoršanja performansi planirane trajektorije za slučaj nastupanja jednostrukog kvarnog stanja na motoru 1). Nasuprot tome *RSP* planer nije imao niti jedno narušavanje nejednadžbi dopuštenog skupa upravljačke varijable.

Da bismo usporedili dobivene trajektorije pomoću *RIP*, *RCP* i *RSP* planera, simulirano je gibanje oktokoptera s vremenom izvršenja misije od 20 [s], pri čemu je kvarno stanje na motoru 1 nastupilo u 8 sekundi. Rezultati simulacije prikazani su na slici 7.4, a usporedba performansi dana je u tablici 7.3. Za potrebe usporedbe planera promatrali smo krivulju izvedenu u simulaciji u odnosu na: (i) putne točke ($e_{Rp.točke}$ [m] i $e_{\Psi p.točke}$ [rad]), (ii) na vlastitu planiranu krivulju (e_{RRef} [m] i $e_{\Psi Ref}$ [rad]) i (iii) na krivulju koja se dobila *RIP* planerom. Pojasnimo korištenu



Slika 7.4 – Prikaz praćenja trajektorija dobivenih primjenom *RIP*, *RCP* i *RSP* planera gibanja za vrijeme izvršenja misije 20 [s] i kvarnim stanjem na motoru 1 nastalim u 8 sekundi.

mjeru usporedbu performansi planera:

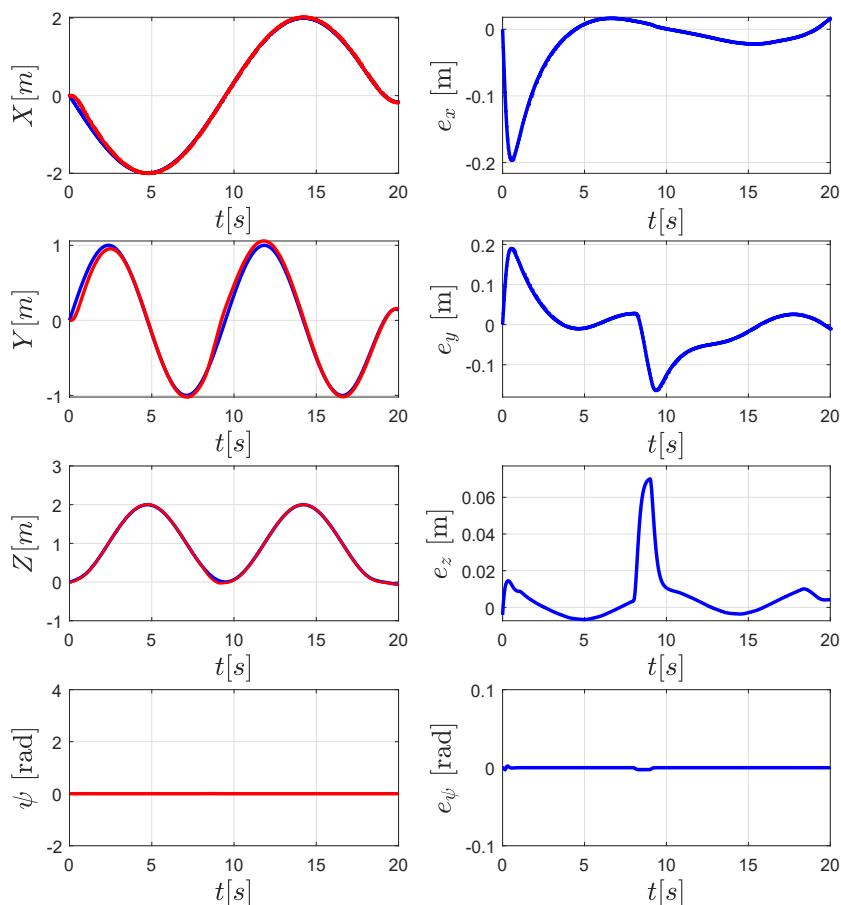
- $e_{Rp.točke}[m]$ i $e_{\Psi p.točke}[rad]$, predstavljaju pogrešku koordinata i orijentacije u odnosu na putne točke od interesa,
- $e_{RRef}[m]$ i $e_{\Psi Ref}[rad]$, predstavljaju pogrešku koordinata i orijentacije izvedene putanje u odnosu na sopstvenu planiranu,
- $e_{RRIP}[m]$ i $e_{\Psi RIP}[rad]$, predstavljaju pogrešku koordinata i orijentacije izvedene putanje u odnosu na onu dobivenu planiranjem s *RIP* planerom (koja predstavlja idealnu putanju za slučaj bez kvanog stanja).

Kako se može uočiti na slici 7.4, *RSP* planer najmanje odstupa od putnih točaka. Odstupanje izvedene krivulje dobivene *RCP* planerom najviše odstupa na samom početku simulacije, što je u skladu s dobivenim planiranjem, zbog manevara koji mu nisu bili dopušteni na samom početku, što je predočeno na slici 7.3. *RIP* planer dobro prati krivulju do trenutka nastupanja kvanog stanja, a nakon nastupanja kvanog stanja postoji izvjesno odstupanje dok sustav ponovo ne dostigne referentnu krivulju. Iz tablice 7.3 može se uočiti da najbolje ponašanje za slučaj kvanog stanja ima *RSP* planer, kako je bilo i očekivano. Na slikama 7.5, 7.6 i 7.7 prikazano je praćenje pojedinačnih koordinata i pogrešaka praćenja za sva tri planera.

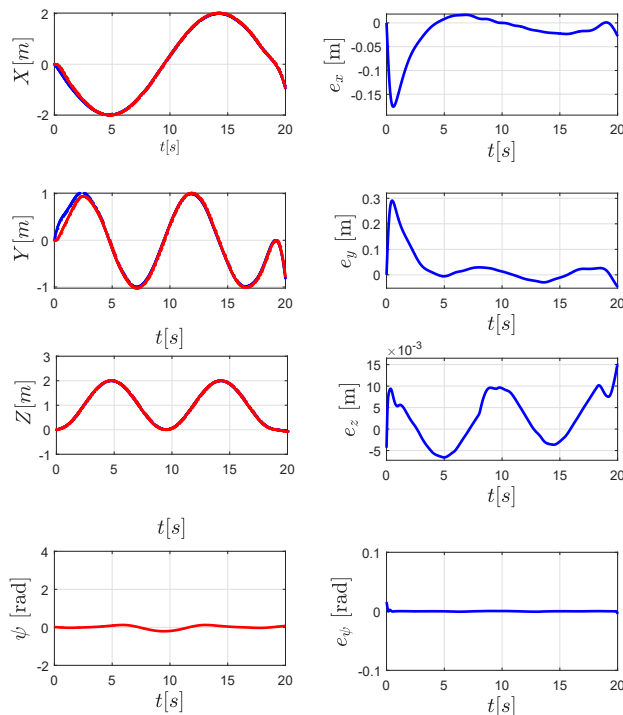
Iz slike 7.5 vidi se da nakon nastanka kvanog stanja, na motoru 1, sustavu bespilotne letjelice treba nekoliko sekundi da pogrešku po y osi svede blizu nuli. Također se može zapaziti da ne dolazi do velikog odstupanja po x osi. To se ponašanje može pripisati činjenici da je promjena koordinata po y osi brža nego promjena koordinata po x osi. Za slučaj *RCP* planera (slika 7.6), najveća pogreška je na početku gibanja, što je u skladu s planiranom putanjom, zbog specifičnih

Tablica 7.3 – Usporedba performansi *RIP*, *RCP* i *RSP* planera gibanja za $T = 20$ [s] (Slučaj 1, koraci 5 i 6).

Performancsa	$e_{Rp.točke}$ [m]	$e_{\Psi p.točke}$ [rad]	e_{RRef} [m]	$e_{\Psi Ref}$ [rad]	e_{RRIP} [m]	$e_{\Psi RIP}$ [rad]
<i>RIP</i> planer	1.75	0.251	1.29	-2.7e-3	1.29	-2.7e-3
<i>RCP</i> planer	1.55	2.56e-3	1.08	1.8e-3	1.41	-1.58e-2
<i>RSP</i> planer	1.44	-1.22e-2	0.86	-0.7e-5	1.01	2.9e-2



Slika 7.5 – Prikaz praćenja koordinata x , y , z i orijetacije ψ i greške praćenja e_x , e_y , e_z i e_ψ za slučaj trajektorije generirane *RIP* planerom s vremenom izvršenja 20 [s] i kvarnim stanjem na motoru 1 nastalim u 8 sekundi.

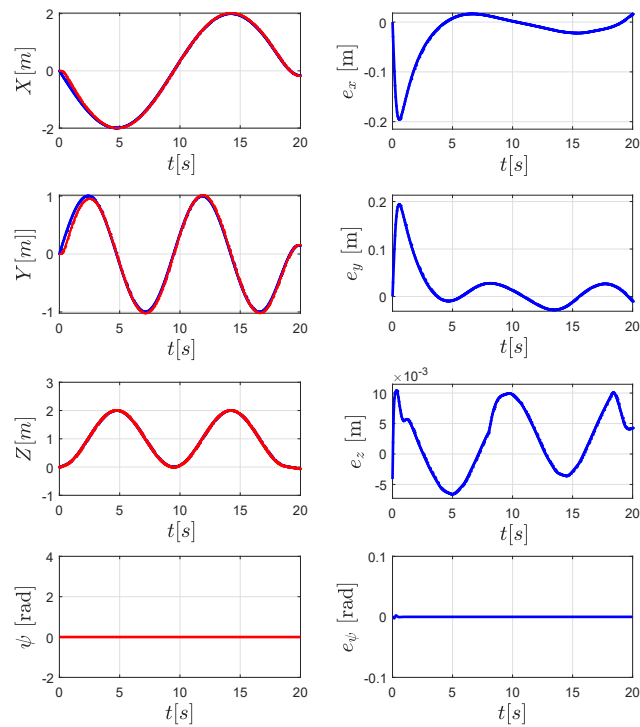


Slika 7.6 – Prikaz praćenja koordinata x , y , z i orijetacije ψ i greške praćenja e_x , e_y , e_z i e_ψ za slučaj trajektorije generirane *RCP* planerom s vremenom izvršenja 20 [s] i kvarnim stanjem na motoru 1 nastalim u 8 sekundi.

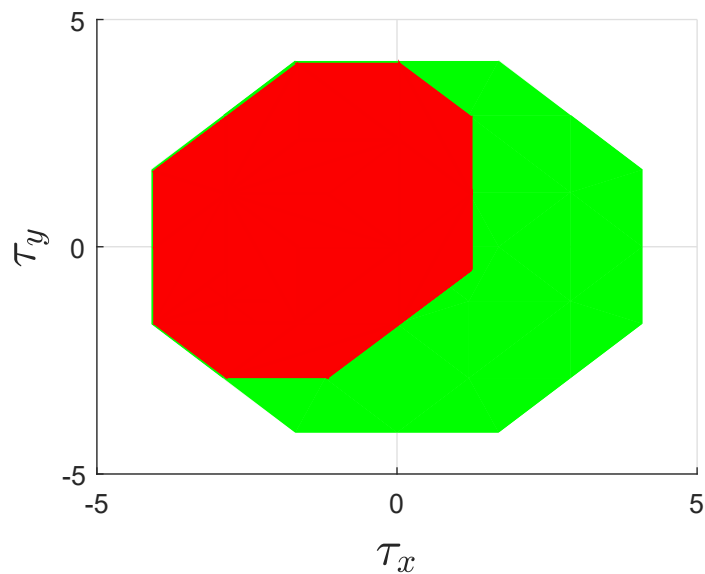
manevara na početku planirane trajektorije. Kako je bilo i očekivano *RSP* planer (slika 7.7) ima najbolje ponašanje za slučaj nastanka kvarnog stanja na pogonskom motoru 1, te ima najmanje odstupanje od putnih točaka kroz koje je neophodno proći.

Slučaj 2: Analiziramo slučaj nastanka dvostrukog kvarnog stanja, to jest istodobnog kvara na dva pogonska motora. Pretpostavljamo kvarna stanja na motorima 1 i 6. Na slici 7.8 prikazan je dopušteni skup upravljačke varijable za slučaj istodobnog kvarnog stanja na motorima 1 i 6 (označen crvenom bojom na slici 7.8) u odnosu na dopušteni skup upravljačke varijable za slučaj bez kvarnog stanja (označen zelenom bojom na slici 7.8)

Kao i u prethodnom slučaju, nakon odabira mogućeg kvarnog stanja (kvarno stanje na motorima 1 i 6) provodimo korake 2 i 3 predloženog *RSP* planera. Kako se može uočiti iz dobivene tablice 7.4, *RCP* planeru treba više vremena ($T = 26$ [s]) za izvršenje misije uz zadržavanje nazivnih performansi. Dobiveno veće vrijeme proizilazi iz činjenice da skup dopuštenih vrijednosti upravljačke varijable uvažava podatak da su motori 1 i 6 izvan pogona. Područje vrijednosti upravljačke varijable, za ovaj slučaj, dosta je restriktivno pa su se prilikom planiranja morali izbjeći određeni manevri koji su dopušteni u početnom području vrijednosti upravljačke varijable bez kvarnih stanja. *RIP* i *RSP* planeri imaju slične performanse s tim da *RSP* planeru treba malo više vremena ($T = 18$ [s] u odnosu na $T = 16$ [s]). Međutim, *RIP* planer



Slika 7.7 – Prikaz praćenja koordinata x , y , z i orijetacije ψ i greške praćenja e_x , e_y , e_z i e_ψ za slučaj trajektorije generirane RIP planerom s vremenom izvršenja 20 [s] i kvarnim stanjem na motoru 1 nastalim u 8 sekundi.



Slika 7.8 – Prikaz dopuštenog skupa upravljačke varijable za slučaj bez kvarnog stanja (označen zelenom bojom) i za slučaj istodobnog kvarnog stanja na motorima 1 i 6 (označen crvenom bojom).

Tablica 7.4 – Usporedba performansi *RIP*, *RCP* i *RSP* planera gibanja za slučaj dvostrukog kvara za njihova minimalna vremena (Slučaj 2, koraci 2, 3 i 5).

Performansa	T [s]	e_R [m]	e_Ψ [rad]	<i>narušena ograničenja</i>
<i>RIP</i> planer	16	0,0412	4e-19	80
<i>RCP</i> planer	26	0,284	2e-17	0
<i>RSP</i> planer	18	0,234	1,2e-9	21

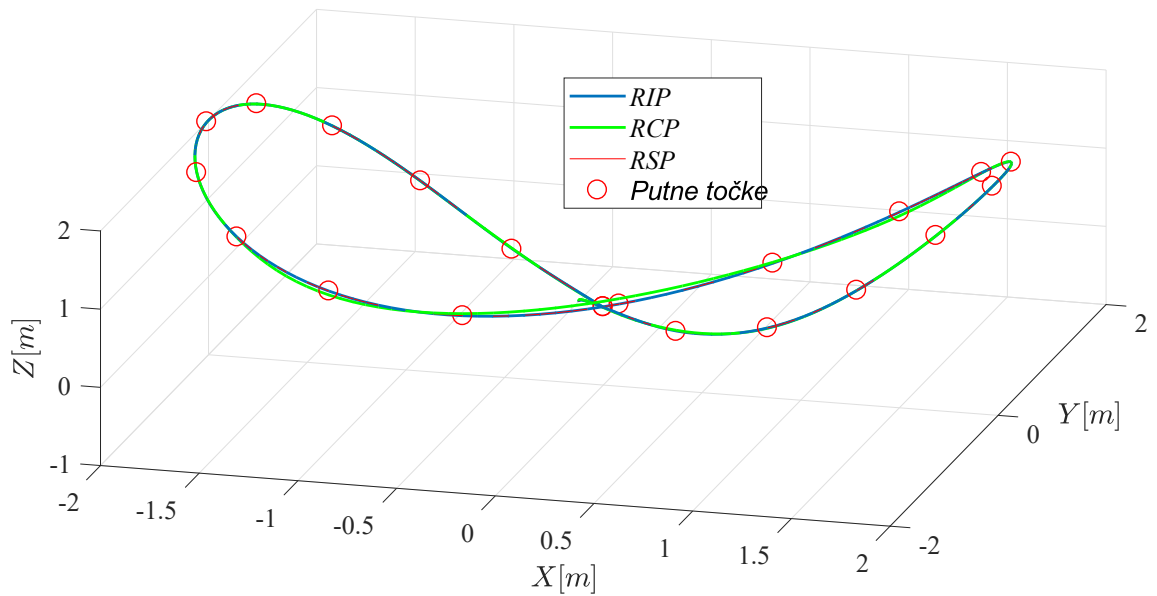
narušava nejednadžbe dopuštenog skupa upravljačke varijable 80 puta u 73 pozicije (od ukupno 210 pozicija), a *RSP* planer narušava nejednadžbe dopuštenog skupa upravljačke varijable 21 puta u 21 poziciji. Ovo ukazuje da je *RSP* planer gibanja bolje prilagođen na nastanak kvarnog stanja (kvarno stanje s ispadom motora 1 i 6) nego *RIP* planer, dok mu treba nešto malo više vremena u odnosu na *RIP* planer za izvršenje misije. S druge strane *RCP* planer ne narušava niti jednu nejednadžbu skupa upravljačke varijable.

Za usporedbu performansi sva tri planera, izvršeno je planiranje gibanja s vremenom izvršavanja misije $T = 26$ [s]. Rezultati planiranja gibanja s *RIP*, *RCP* i *RSP* planerom, za opisani slučaj, prikazani su na slici 7.9. Na osnovi dobivenih putanja, najmanje odstupanje iskazuje putanja dobivena planiranjem s *RIP* planerom, a najveće putanja dobivena primjenom *RCP* planera. Međutim, važno je napomenuti da je planiranje gibanja za *RIP* planer izvedeno uz pretpostavku da kvarno stanje neće nastupiti na sustavu oktokoptera, dok je kod *RCP* planera pretpostavljen nastanak istodobnog kvarnog stanja na motorima 1 i 6. Kod planiranja gibanja s *RSP* planerom, osnovni dopustivi skup upravljačke varijable (dobiven za slučaj oktokoptera bez kvarnog stanja) proširen je dodatnim ograničenjima. Dodatna su ograničenja formirana testiranjem upravljačkih varijabli dobivenih planiranjem *RIP* planerom, na područje vrijednosti upravljačke varijable koje uvažava nastanak istodobnog kvara na motorima 1 i 6.

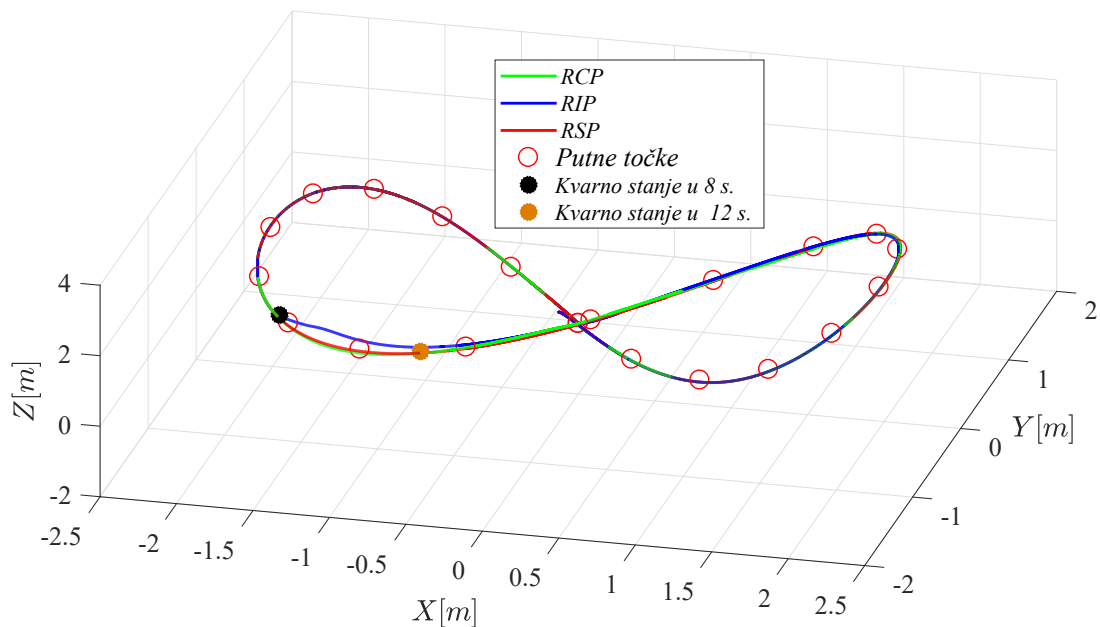
Prikaz simulacijskih rezultata gibanja oktokoptera po trajektorijama dobivenim korištenjem *RIP*, *RCP* i *RSP* planera za vrijeme izvršavanja misije od 26 [s], uz ispad motora 1 (u 8. sekundi izvršavanja misije) i motora 6 (u 12. sekundi izvršavanja misije) dan je na slici 7.10. Rezultati usporedbe performansi praćenja dani u tablici 7.5.

Kako se može uočiti iz tablice 7.5, najbolje je praćenje za slučaj trajektorije generirane *RSP* planerom, potom trajektorije gnereirane *RCP* planerom, a najlošije trajektorije generirane *RIP* planerom. Ovakvo je ponašanje *RIP* planera razumljivo jer kod njega nije uzeta u razmatranje mogućnost nastanka kvarnih stanja.

Razmotrimo još situaciju da je svaka misija izvršena onako kako je i planirana, to jest trajanje misije planirane *RIP* planerom je 16 [s], *RCP* planerom 26 [s] i *RSP* planerom 18 sekundi. Dobiveni simulacijski rezultati prikazani su na slici 7.11, a usporedba performansi u tablici 7.6. Kako se može uočiti iz slike 7.11 i tablice 7.6, najbolje praćenje ima *RCP* planer, potom *RSP*



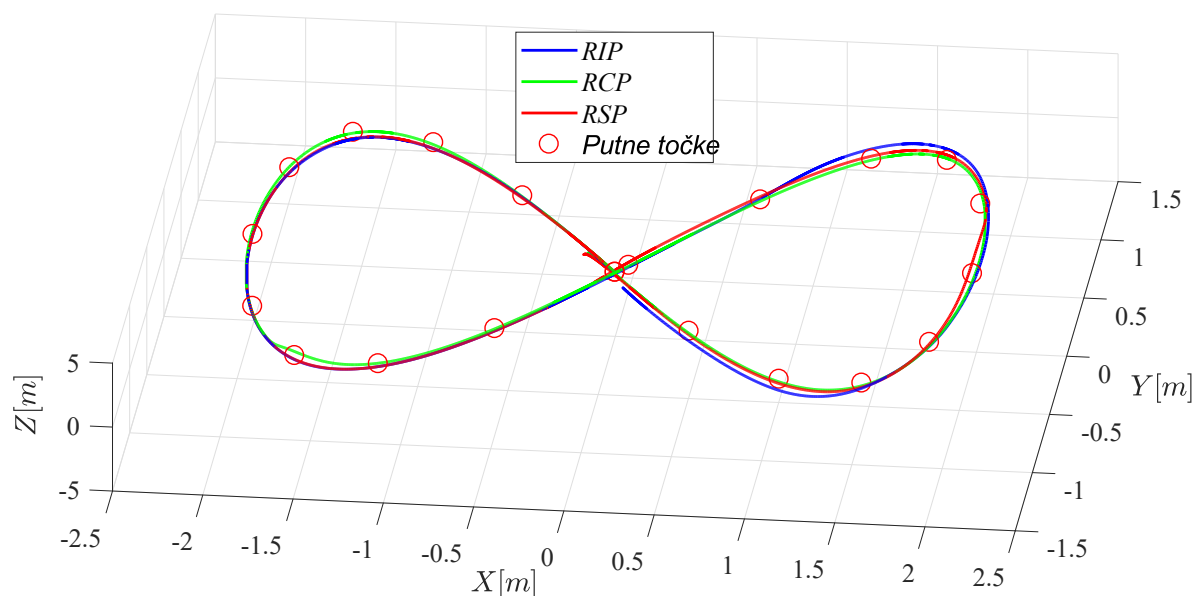
Slika 7.9 – Generirane putanje primjenom *RIP* (bez kvarnog stanja), *RCP* (kvarno stanje na motorima 1 i 6) i *RSP* (odabrane nejednadžbe iz skupa za kvarno stanje na motorima 1 i 6) planera gibanja za vrijeme izvršenja misije 26 sekundi.



Slika 7.10 – Prikaz praćenja trajektorija dobivenih primjenom *RIP*, *RCP* i *RSP* planera gibanja (vrijeme izvršenja misije 26 [s]), kvarnim stanjem na motorima 1 i 6 (vrijeme nastanka kvarnog stanja 8 [s] i 12 [s] respektivno).

Tablica 7.5 – Usporedba performansi *RIP*, *RCP* i *RSP* planera gibanja za $T = 26$ [s], za slučaj istodobnog kvarnog stanja, na motorima 1 i 6 (Slučaj 2, koraci 5 i 6).

Performansa	$e_{Rp.točke}[m]$	$e_{\Psi p.točke}[rad]$	$e_{RRef}[m]$	$e_{\Psi Ref}[rad]$	$e_{RRIP}[m]$	$e_{\Psi RIP}[rad]$
<i>RIP</i> planer	1.32	5.6e-3	1.04	-3.8e-3	1.08	-3.9e-3
<i>RCP</i> planer	1.15	2.79e-3	0.72	-7.9e-4	0.85	-8.21e-4
<i>RSP</i> planer	1.01	2.38e-2	0.65	-2.9e-5	0.67	-3e-5

**Slika 7.11** – Prikaz praćenja trajektorija dobivenih primjenom *RIP*, *RCP* i *RSP* planera gibanja (vrijeme izvršenja misije od 16, 26 i 18 [s] respektivno), s kvarnim stanjem na motorima 1 i 6, (vrijeme nastanka kvarnog stanja 8 i 12 [s] respektivno).

planer, a najlošije praćenje ima *RIP* planer. Također, može se primijetiti da je performansa *RCP* i *RSP* planera bliska ali s tom razlikom da *RSP* planer misiju izvrši za 18 s, a *RCP* planer za 26 sekundi. Prikazani rezultati pokazuju da je pretpostavka o korištenju *RSP* planera opravdana. *RSP* planerom dobiva se izvediva putanja čije je vrijeme izvršavanja blisko vremenu dobivenom upotrebom *RIP* planera, ali koja nema manevara koji mogu biti ugroženi nastankom kvarnog stanja.

Provedena simulacijska analiza pokazala je opravdanost formiranja skupa područja vrijednosti dopustivog skupa upravljačke varijable u koracima 1-6 *RSP* planera. Analizu možemo nastaviti u smjeru razmatranja nastanka trostrukog ili višestrukog kvara. Međutim, očito je da bi za potrebe *RCP* planera (uključivanjem većeg broja neispravnih motora) došlo do znatnog smanjenja područja vrijednosti upravljačke varijable, čime bi planiranje gibanja bilo onemogućeno za slučaj *RCP* planera, pa nije opravdano analizirati takve slučajeve kvarnih stanja.

Tablica 7.6 – Usporedba performansi *RIP*, *RCP* i *RSP* planera gibanja (vrijeme izvršenja misije od 16, 26 i 18 [s] respektivno), za slučaj istodobnog kvarnog stanja, na motorima 1 i 6 (Slučaj 2, koraci 5 i 6).

Performansa	$e_{Rp.točke} [m]$	$e_{\Psi p.točke} [rad]$	$e_{RRef} [m]$	$e_{\Psi Ref} [rad]$
<i>RIP</i> planer	1.74	-7.65e-3	1.43	-7.8e-3
<i>RCP</i> planer	1.26	-7.65e-3	0.71	-1.3e-3
<i>RSP</i> planer	1.32	-7.6e-3	1.02	-2.8e-5

Tablica 7.7 – Usporedba performansi *RIP*, *RCP* i *RSP* planera gibanja za slučaj svih mogućih jednostrukih kvarova za njihova minimalna vremena (Slučaj 3, koraci 1, 2 i 3).

Performansa	$T [s]$	$e_R [m]$	$e_R/N [m]$	$e_{\Psi} [rad]$	$e_{\Psi}/N [rad]$
<i>RIP</i> planer	16	0,0412	0,0019	4e-12	4e-13
<i>RCP</i> (M1) planer	20	0,057	0,0027	1e-18	5e-21
<i>RCP</i> (M2) planer	20	0,038	0,018	4e-18	2e-19
<i>RCP</i> (M3) planer	20	0,038	0,018	7e-12	3,4e-13
<i>RCP</i> (M4) planer	28	0,5	0,0238	1,4e-8	6,9e-10
<i>RCP</i> (M5) planer	24	0,26	0,012	0,0012	5,9e-4
<i>RCP</i> (M6) planer	24	0,43	0,021	9e-12	4,4e-13
<i>RCP</i> (M7) planer	20	0,073	0,0035	1,5e-10	7,4e-12
<i>RCP</i> (M8) planer	20	0,038	0,018	7e-12	3,4e-13
<i>RSP</i> planer	28	0,54	0,025	7e-6	3,5e-7

Slučaj 3: U ovom slučaju razmatramo sve pojedinačne slučajeve jednostrukog kvarnog stanja. U tablici 7.7 prikazani su rezultati provedenih koraka 2 i 3 *RSP* planera gibanja. Kod planiranja s *RCP* planerom u obzir je uzeto područje vrijednosti vektora upravljačke varijable za slučaj da se kvarno stanje dogodilo samo na pripadajućem motoru. Za planiranje s *RSP* planerom, dopustivo područje vrijednosti upravljačke varijable formirano je proširivanjem s nejednadžbama koje se dobivaju tako da se za maksimalno vrijeme (korak 4 *RSP* planera), izvrši ponovno planiranje s *RIP* planerom. Potom se vrijednosti upravljačke varijable dobivene s *RIP* planerom (za maksimalno dobiveno vrijeme) provjeravaju za svako pojedinačno područje vrijednosti upravljačke varijable da bi se odredile nejednadžbe koje su narušene za svaki pojedinačni slučaj jednostrukog kvarnog stanja (korak 5 *RSP* planera).

Kako se može uočiti iz tablice 7.7, *RSP* planeru treba više vremena ($T = 28 [s]$), za izvršenje misije uz zadovoljavajuću performansu, pri čemu je moguće nastajanje jednostrukih kvarnih stanja. Planiranje *RSP* planerom odvija se uz područje vrijednosti upravljačke varijable koje je

dobiveno umanjnjem početnog područja vrijednosti upravljačke varijable (za slučaj sustava bez kvarnog stanja) s ograničenjima koja proistječu iz svakog pojedinačnog kvarnog stanja. Zbog toga određeni broj manevara nije moguće izvesti ili na njima postoji ograničenje, ali je sustav za ovakav tip planiranja pripremljen na mogućnost nastanak jednostrukog kvara na svim motorima.

Provedeni su koraci 4, 5 i 6 *RSP* planera te uspoređene performanse *RIP*, *RCP* i *RSP* planera za vrijeme izvršenja misije postavljeno na $T = 28$ [s]. Rezultati usporedbe dani su u tablici 7.8 [107], iz koje se može uočiti da je broj nejednadžbi dopustivog skupa upravljačke varijable za svaki pojedinačni jednostruki kvar (M_i), koje su narušene za slučaj planiranja trajektorije s *RSP* planerom, znatno manji nego kod drugih dvaju planera, što je i očekivano. Iz tablice je također uočljivo da je *RIP* planer imao najveći broj narušavanja nejednadžbi, jer je kod njega dopustivo područje vrijednosti upravljačke varijable bilo početno (za slučaj sustava bez kvarnog stanja), tako da su i manevri koji su planirani bili maksimalno dopustivi, što ga čini nespremnim na većinu kvarnih stanja koja mogu nastati tijekom izvršavanja misije. Može se uočiti da su ograničenja skupa upravljačke varijable, koja se dobivaju za slučaj kvarnog stanja na motoru 3, prekršena u većem broju za sve planere izuzev *RCP* ($M3$) planera koji je prilikom planiranja uzeo u obzir sva ograničenja toga skupa upravljačke varijable. To se može pripisati činjenici da je zbog tipa odabrane misije tijekom njezina izvršavanja potrebno napraviti takav tip manevra da kvarno stanje na motoru 3 dovodi do nemogućnosti njegova izvršavanja. Dodatno zapažanje vezano je za dopustive skupove upravljačke varijable koji se dobivaju za kvarno stanje na motorima 2 i 5. Niti u jednom slučaju primijenjenih planera nije došlo do narušavanja ovih dvaju skupova dopuštenih vrijednosti upravljačke varijable. Konačno, kao što se i očekivalo, svi *RCP* planeri, primijenjeni za pojedinačni jednostruki kvar, nisu narušili ograničenja područja vrijednosti upravljačke varijable, koja su u početku planiranja bila uzeta u obzir.

U svrhu usporedbe izvedivosti trajektorija koje se dobivaju planiranjem gibanja *RIP*, *RCP* i *RSP* planerima, simulirana su ponašanja gibanja bespilotne letjelice za dobivene trajektorije, uz vrijeme izvršavanja misije $T = 26$ [s]. Simulacije su ponovljene po 30 puta za svaku trajektoriju dobivenu primjenom *RIP*, *RCP* i *RSP* planera, te je po slučajnom uzorku odabrano da se jednostruki kvar dogodi na jednom od osam motora u različitim trenutcima izvršavanja misije. Kao mjera performanse odabrana je usporedba pogreške koordinata pozicije i orijentacije u odnosu na ranije definirane (i) putne točke od interesa, (ii) odstupanje od vlastite planirane trajektorije i (iii) odstupanje od trajektorije dobivene planiranjem *RIP* planerom. Rezultati usporedbe dani su u tablici 7.9.

Kako se može uočiti iz dobivene tablice, najbolje ponašanje za slučaj jednostrukog kvarnog stanja pokazuju trajektorije dobivene primjenom *RSP* planera, a najlošije one dobivene *RCP* planerom. U dva je slučaja kod trajektorija dobivenih primjenom *RCP* planera došlo do prekida izvršavanja misije jer je prilikom nastupanja kvarnog stanja došlo do gubitka upravljivosti. To proizilazi iz činjenice da je u trenutku nastupanja kvarnog stanja oktokopter bio u takvoj poziciji

Tablica 7.8 – Broj narušenih nejednadžbi za *RIP*, *RCP* i *RSP* planer za sve moguće jednostruke kvarove (M_i) u odnosu na dopustivi skup upravljačke varijable (Slučaj 3, koraci 4, 5, i 6).

MAV	$M1$	$M2$	$M3$	$M4$	$M5$	$M6$	$M7$	$M8$
<i>RIP</i> planer	52	0	108	206	0	108	24	136
<i>RCP</i> ($M1$) planer	0	0	107	179	0	89	20	116
<i>RCP</i> ($M2$) planer	52	0	110	205	0	108	24	136
<i>RCP</i> ($M3$) planer	53	0	0	185	0	87	23	137
<i>RCP</i> ($M4$) planer	52	0	99	0	0	99	24	136
<i>RCP</i> ($M5$) planer	52	0	101	197	0	99	24	136
<i>RCP</i> ($M6$) planer	52	0	101	197	0	0	24	136
<i>RCP</i> ($M7$) planer	52	0	101	191	0	95	0	134
<i>RCP</i> ($M8$) planer	52	0	108	197	0	108	24	0
<i>RSP</i> planer	0	0	118	15	0	5	0	0

Tablica 7.9 – Usporedba izvedivosti trajektorija dobivenih primjenom *RIP*, *RCP* i *RSP* planera, za sve moguće jednostruke kvarove (M_i) pri slučajnom odabiru trenutka nastanka kvarnog stanja.

	<i>RIP</i> planer	<i>RCP</i> planer	<i>RSP</i> planer
Srednja vrijednost ($e_{Rp.točke}[m]$)	1,21	1,3	1,105
Standardna devijacija ($e_{Rp.točke}[m]$)	7,44e-2	1,86e-1	3,98e-2
Srednja vrijednost ($e_{\Psi p.točke}[rad]$)	-2,28e-4	3,26e-2	4,42e-3
Standardna devijacija ($e_{\Psi p.točke}[rad]$)	1,63e-3	4,44e-2	8,93e-4
Srednja vrijednost ($e_{RRef}[m]$)	0,738	0,743	0,608
Standardna devijacija ($e_{RRef}[m]$)	0,058	0,145	0,0506
Srednja vrijednost ($e_{\Psi Ref}[rad]$)	8,133e-5	-3,74e-3	-9,93e-5
Standardna devijacija ($e_{\Psi Ref}[rad]$)	1,22e-3	5,43e-3	6,48e-4
Srednja vrijednost ($e_{RRIP}[m]$)	0,738	0,937	0,635
Standardna devijacija ($e_{RRIP}[m]$)	0,058	0,257	0,056
Srednja vrijednost ($e_{\Psi RIP}[rad]$)	8,133e-5	-1,04e-2	-2,82e-3
Standardna devijacija ($e_{\Psi RIP}[rad]$)	1,22e-3	1,69e-2	6,48e-4

Planiranje gibanja bespilotne letjelice zasnovano na analizi kvarnih stanja vezanih za misiju

i orijentaciji da nije mogao zadržati upravljivost zbog gubitka pogonskog motora. S druge strane, *RSP* planer je planiranje gibanja izvodio uvažavajući ograničenja koja su proistekla iz analize narušavanja pojedinačnih nejednadžbi za konkretnu misiju pa je prilikom nastupanja kvarnog stanja oktokopter bio najbolje pripremljen za nastavak planirane misije, što je i bila osnovna pretpostavka kod izrade ove disertacije.

Poglavlje 8

Zaključak

Glavna je hipoteza ove disertacije je da se pouzdanost završetka misije može poboljšati uključivanjem informacije o vjerojatnosti nastanka kvarnih stanja u fazi planiranja gibanja. Sva su provedena istraživanja bila usmjerena dokazivanju te hipoteze. U drugom je poglavlju izveden detaljni matematički model oktokoptera, iz koga je potom izveden pojedini model bespilotne letjelice s parnim brojem rotora koji su postavljeni u planarnoj konfiguraciji.

U trećem je poglavlju prikazan postupak sinteze jednostavnog PD regulatora koji upravlja sustavom bespilotne letjelice osiguravajući praćenje zadane koordinate pozicije i orijentacije. Pokazalo se da se za slučaj bespilotne letjelice s predloženim PD regulatorom može upravljati na zadovoljavajući način uz dobro praćenje referentne krivulje ako su svi pogonski motori dostupni. Međutim, za slučaj da na sustavu bespilotne letjelice dođe do kvarnog stanja na pogonskim motorima, sustav ne može pratiti referentnu trajektoriju na zadovoljavajući način.

Kako bismo mogli procijeniti posjeduje li određeni tip letjelice potencijal za nastavak izvršavanja misije, bez obzira na nastanak kvarnog stanja, u četvrtom je poglavlju predložen optimizacijski okvir za procjenu utjecaja kvarnog stanja na upravljivost bespilotne letjelice s obzirom na odabrani tip letjelice (kvadkopter, heksakopter ili oktokopter), smjer vrtnje svakog pojedinačnog pogonskog motora kao i kvarno stanje koje može nastupiti na pogonskim motorima. U provedenoj je analizi pokazano da ovisno o tipu odabrane letjelice, dopustivi skup upravljačke varijable može biti različit te da se dopustivi skup upravljačke varijable mijenja s nastupanjem kvarnog stanja na sustavu bespilotne letjelice. Također, analizom je pokazano da odabirom strukture letjelice (kvadkopter, heksakopter ili oktokopter) kao i smjerova vrtnje pojedinačnih pogonskih motora, možemo utjecati na vjerojatnost izvršenja misije s obzirom na vjerojatnost nastanka različitih kombinacija jednostrukog ili dvostrukog kvara tijekom izvršavanja misije. Primjerice, ako je vjerojatnost nastanka jednostrukog kvara visoka, ali je mala vjerojatnost nastanka dvostrukog kvara, tada ravnopravno možemo koristiti bilo koju konfiguraciju heksakoptera ili oktokoptera, dok kvadkopter nije pogodan za takav tip misije. Za slučaj gdje je vjerojatnost nastanka dvostrukog kvara visoka najbolje je koristiti oktokopter s PPNNPPNN konfiguracijom.

Provedena se analiza može poopćiti na bilo koji oblik višerotorskog sustava koji posjeduje paran broj motora ($2n, n \geq 2$) u planarnoj konfiguraciji. Za potrebe provođenja analize neophodno je znati parametre strukture koja se razmatra te smjerove vrtnje svakog pojedinačnog motora jer od toga ovise vrijednosti matrice aktuacije.

Kako bi se razmatrani potencijal za nastavak misije razmatranih sustava mogao iskoristiti, neophodan je mehanizam pomoću kojeg bi se mogao otkriti nastanak kvarnog stanja. Pored toga, neophodno je i upravljanje koje je u stanju iskoristiti informaciju o nastanku kvara, s obzirom na lokaciju i intenzitet nastalog kvara, za eliminiranje posljedica nastalog kvara, ako je to moguće. Prijedlog mehanizma za identifikaciju nastanka kvara zasnovan na metodi najmanjih kvadrata te upravljačka alokacija koja informaciju o nastanku kvarnog stanja može iskoristiti tako da potrebno upravljanje ostvari preko raspoloživih ispravnih pogonskih motora, opisani su u petom poglavlju. Kao mehanizam upravljačke alokacije korištena je pseudo-inverzija.

Potom je u šestom poglavlju analiziran utjecaj kvarnih stanja i njihova djelovanja na bespilotnu letjelicu s pogonskim motorima s ciljem procjene kritičnosti kvara pojedinih komponenata. Navedenom se analizom može utvrditi je li u određenom slučaju neki od pogonskih motora kritičan, odnosno može li doći do njegova otkaza tijekom izvršavanja misije. Ako analiza pokaže da postoji vjerojatnost nastanka kvarnog stanja, tada se ta informacija može iskoristiti pri planiranju misije s obzirom na procjenu rizika kvarnih stanja.

U analizi koja je provedena kao polazna osnova za razvijanje planera gibanja s obzirom na procjenu rizika kvarnih stanja, razmotrena su dva tipa planera. Prvi tip planera ne uvažava nastanak kvarnog stanja (nazvan *RIP* planerom gibanja), a drugi tip planera u potpunosti uvažava nastanak kvarnog stanja (nazvan *RCP* planerom gibanja). *RIP* planer generira najbržu moguću izvedivu putanja s obzirom na mogućnosti letjelice, ali je izvedivost tako dobivene putanje osjetljiva na nastanak kvarnog stanja. S druge strane, *RCP* planer generira putanju koja zahtjeva najduže vremensko izvršenje, a njegov je nedostatak što generirana trajektorija sadrži konzervativne manevre te ne koristi letjelicu u optimalnom smislu. U provedenoj analizi za planiranje gibanja predložen je novi tip planera (nazvan *RSP* planerom gibanja) koji razmatra konkretnu misiju koju treba izvršiti, te na osnovi procjene nastanka mogućeg kvara generira takvu trajektoriju koja je manje osjetljiva na mogućnost nastanka kvarnog stanja. Za potrebe razvoja novog tipa planera gibanja predložen je optimizacijski okvir koji u razmatranje uzima dopustivi skup upravljačke varijable, koji se može mijenjati ovisno o tipu letjelice i mogućem nastanku kvarnog stanja na pogonskim motorima. Predloženi *RSP* planer gibanja pokazao je bolje performanse od *RIP* i *RCP* planera. Znajući tip misije i procjenu rizika kvarnih stanja, primjenom predloženog *RSP* planera gibanja moguće je generirati trajektoriju s kojom se povećava pouzdanost uspješnog završetka misije.

Literatura

- [1] Blom, J. D., *Unmanned Aerial Systems: A Historical Perspective*. Combat Studies Institute Press, 2010, Vol. 45.
- [2] Maza, I., Caballero, F., Capitán, J., Martínez-de Dios, J., Ollero, A., “Experimental results in multi-uav coordination for disaster management and civil security applications”, *Journal of intelligent & robotic systems*, Vol. 61, No. 1-4, 2011, str. 563–585.
- [3] Freed, M., Harris, R., Shafto, M., “Human-interaction challenges in uav-based autonomous surveillance”, in *Proceedings of the 2004 Spring Symposium on Interactions Between Humans and Autonomous Systems Over Extended Operations*, 2004.
- [4] Doherty, P., Rudol, P., “A uav search and rescue scenario with human body detection and geolocalization”, in *AI 2007: Advances in Artificial Intelligence*. Springer, 2007, str. 1–13.
- [5] Flener, C., Vaaja, M., Jaakkola, A., Krooks, A., Kaartinen, H., Kukko, A., Kasvi, E., Hyypä, H., Hyypä, J., Alho, P., “Seamless mapping of river channels at high resolution using mobile lidar and uav-photography”, *Remote Sensing*, Vol. 5, No. 12, 2013, str. 6382–6407.
- [6] Girard, A. R., Howell, A. S., Hedrick, J. K., “Border patrol and surveillance missions using multiple unmanned air vehicles”, in *Decision and Control, 2004. CDC. 43rd IEEE Conference on*, Vol. 1. IEEE, 2004, str. 620–625.
- [7] Puri, A., “A survey of unmanned aerial vehicles (uav) for traffic surveillance”, Department of computer science and engineering, University of South Florida, 2005.
- [8] Chang, H.-K., Tan, Y.-C., Lai, J.-S., Pan, T.-Y., Liu, T.-M., Tung, C.-P., “Improvement of a drainage system for flood management with assessment of the potential effects of climate change”, *Hydrological Sciences Journal*, Vol. 58, No. 8, 2013, str. 1581–1597.
- [9] Zhang, C., Kovacs, J. M., “The application of small unmanned aerial systems for precision agriculture: a review”, *Precision agriculture*, Vol. 13, No. 6, 2012, str. 693–712.

- [10] Golightly, I., Jones, D., “Visual control of an unmanned aerial vehicle for power line inspection”, in *Advanced Robotics, 2005. ICAR’05. Proceedings., 12th International Conference on.* IEEE, 2005, str. 288–295.
- [11] Li, Z., Liu, Y., Hayward, R., Zhang, J., Cai, J., “Knowledge-based power line detection for uav surveillance and inspection systems”, in *Image and Vision Computing New Zealand, 2008. IVCNZ 2008. 23rd International Conference.* IEEE, 2008, str. 1–6.
- [12] Dios, M.-D., Ollero, A. *et al.*, “Automatic detection of windows thermal heat losses in buildings using uavs”, in *Automation Congress, 2006. WAC’06. World.* IEEE, 2006, str. 1–6.
- [13] Metni, N., Hamel, T., “A uav for bridge inspection: Visual servoing control law with orientation limits”, *Automation in construction*, Vol. 17, No. 1, 2007, str. 3–10.
- [14] Krajník, T., Vonásek, V., Fišer, D., Faigl, J., “Ar-drone as a platform for robotic research and education”, in *Research and Education in Robotics-EUROBOT 2011.* Springer, 2011, str. 172–186.
- [15] Guimaraes, J. P., Laura, T. L., Sanca, A. S., Schildt, A. N., de Deus, M. S., Alsina, P. J., da Silva, A. T., Medeiros, A. A., “Fully autonomous quadrotor: A testbed platform for aerial robotics tasks”, in *Robotics Symposium and Latin American Robotics Symposium (SBR-LARS), 2012 Brazilian.* IEEE, 2012, str. 68–73.
- [16] Fraundorfer, F., Heng, L., Honegger, D., Lee, G. H., Meier, L., Tanskanen, P., Pollefeys, M., “Vision-based autonomous mapping and exploration using a quadrotor mav”, in *Intelligent Robots and Systems (IROS), 2012 IEEE/RSJ International Conference on.* IEEE, 2012, str. 4557–4564.
- [17] "Unmanned aircraft systems roadmap 2005-2030", tech report. Office of the Secretary of Defense, Washington, DC 20301, 2005.
- [18] UNITED STATES AIR FORCE FY 2011 Budget Estimates. AIRCRAFT PROCUREMENT, AIR FORCE, february 2010.
- [19] Hoffmann, G., Huang, H., Waslander, S., Tomlin, C., “Quadrotor helicopter flight dynamics and control: Theory and experiment”, in *AIAA guidance, navigation and control conference and exhibit, 2007*, str. 6461.
- [20] Bouabdallah, S., “Design and control of quad rotors with application to autonomous flying.”, Doktorski rad, PhDM thesis, Ecole Polytechnique Federale De Lausanne, Laboratoire de systemes autonomes 1, Section De microtechnique, 2007.

- [21] Claudia Mary, L. C. T., Koldbak, S. K., *Modelling and Control of Autonomous Quad-Rotor*. Aalborg Universitet, 2010.
- [22] Kendoul, F., “Survey of advances in guidance, navigation, and control of unmanned rotorcraft systems”, *Journal of Field Robotics*, Vol. 29, No. 2, 2012, str. 315–378.
- [23] Du, G., Quan, Q., Yang, B., Cai, K., “Controllability analysis for a class of multirotors subject to rotor failure/wear”, *Comput. Res. Repository (CoRR)*, 2014.
- [24] Du, G.-X., Quan, Q., Cai, K.-Y., “Controllability analysis and degraded control for a class of hexacopters subject to rotor failures”, *Journal of Intelligent & Robotic Systems*, Vol. 78, No. 1, 2015, str. 143–157.
- [25] Vey, D., Lunze, J., “Structural reconfigurability analysis of multirotor uavs after actuator failures”, in *2015 54th IEEE Conference on Decision and Control (CDC)*. IEEE, 2015, str. 5097–5104.
- [26] Lunze, J., “From fault diagnosis to reconfigurable control: A unified concept”, in *2016 3rd Conference on Control and Fault-Tolerant Systems (SysTol)*. IEEE, 2016, str. 413–421.
- [27] Schneider, T., *Fault-tolerant Multirotor Systems*. ETH Zurich, Swiss Federal Institute of Technology Zurich: MSC thesis, 2011.
- [28] Schneider, T., Ducard, G., Rudin, K., Strupler, P., “Fault-tolerant control allocation for multirotor helicopters using parametric programming”, *rN*, Vol. 1, 2012, str. r2.
- [29] Wang, T., Xie, W., Zhang, Y., “Sliding mode fault tolerant control dealing with modeling uncertainties and actuator faults”, *ISA transactions*, Vol. 51, No. 3, 2012, str. 386–392.
- [30] Xu, Q., Yang, H., Jiang, B., Zhou, D., Zhang, Y., “Adaptive fault-tolerant control design for uavs formation flight under actuator faults”, in *Unmanned Aircraft Systems (ICUAS), 2013 International Conference on*. IEEE, 2013, str. 1097–1105.
- [31] Jin, X., Yang, G., Peng, L., “Robust adaptive tracking control of distributed delay systems with actuator and communication failures”, *Asian Journal of Control*, Vol. 14, No. 5, 2012, str. 1282–1298.
- [32] Casavola, A., Garone, E., “Fault-tolerant adaptive control allocation schemes for overactuated systems”, *International journal of robust and nonlinear control*, Vol. 20, No. 17, 2010, str. 1958–1980.
- [33] Oppenheimer, M. W., Doman, D. B., Bolender, M. A., “Control allocation for overactuated systems”, in *Control and Automation, 2006. MED’06. 14th Mediterranean Conference on*. IEEE, 2006, str. 1–6.

- [34] Drozeski, G. R., Saha, B., Vachtsevanos, G. J., “A fault detection and reconfigurable control architecture for unmanned aerial vehicles”, in Aerospace Conference, 2005 IEEE. IEEE, 2005, str. 1–9.
- [35] Harkegard, O., Glad, S. T., “A backstepping design for flight path angle control”, in Decision and Control, 2000. Proceedings of the 39th IEEE Conference on, Vol. 4. IEEE, 2000, str. 3570–3575.
- [36] Glad, T., Härkegård, O., “Flight control design using backstepping”, Linköping University Electronic press, 2000.
- [37] Martinez Torres, C., Lavigne, L., Cazaurang, F., Alcorta Garcia, E., Diaz Romero, D., “Fault tolerant control of a three tank system: A flatness based approach”, in Control and Fault-Tolerant Systems (SysTol), 2013 Conference on. IEEE, 2013, str. 529–534.
- [38] Khan, R., Williams, P., Hill, R., Bil, C. *et al.*, “Fault tolerant flight control system design for uav’s using nonlinear model predictive control”, Australian Control Conference, 10-11 November 2011, Melbourne, Australia, 2011.
- [39] Lemos, J. M., Sampaio, I., Rijo, M., Rato, L. M., “Actuator fault tolerant lqg control of a water delivery canal”, in Control and Fault-Tolerant Systems (SysTol), 2013 Conference on. IEEE, 2013, str. 432–437.
- [40] Mendonca, L., Vieira, S., Sousa, J., Sa da Costa, J., “Fault accommodation using fuzzy predictive control”, in Fuzzy Systems, 2006 IEEE International Conference on, 2006, str. 1535-1542.
- [41] Garcia, P. C., Lozano, R., Dzul, A. E., Modelling and control of mini-flying machines. Springer Science & Business Media, 2006.
- [42] Madani, T., Benallegue, A., “Control of a quadrotor mini-helicopter via full state backstepping technique”, in Decision and Control, 2006 45th IEEE Conference on. IEEE, 2006, str. 1515–1520.
- [43] Raffo, G. V., Ortega, M. G., Rubio, F. R., “An integral predictive/nonlinear hinf control structure for a quadrotor helicopter”, Automatica, Vol. 46, No. 1, 2010, str. 29–39.
- [44] Torres, C. M., Fault Tolerant Control by Flatness approach. San Nicolas De Los Garza, Nuevo Leon: Phd thesis, 2013.
- [45] Rinaldi, F., Gargioli, A., Quagliotti, F., “Pid and lq regulation of a multicopter attitude: Mathematical modelling, simulations and experimental results”, Journal of Intelligent and Robotic Systems, Vol. 73, No. 1-4, 2014, str. 33–50.

- [46] Herbert Goldstein, J. S., Charles Poole, *Classical Mechanics*. Addison Wesley, 2014.
- [47] Sidi, M. J., *Spacecraft Dynamics and Control*. Cambridge University Press, 1997.
- [48] Siciliano B., V. L., Sciavicco L., G., O., *Robotics: Modelling, Planning and Control*. Springer, 2009.
- [49] Morin, D., *Introduction to classical mechanics: with problems and solutions*. Cambridge University Press, 2008.
- [50] Strang, G., *Linear Algebra and Its Applications*. Thomson Learning Academic Resource Center, 2006.
- [51] Bouabdallah, S., Murrieri, P., Siegwart, R., “Design and control of an indoor micro quadrotor”, in *IEEE International Conference on Robotics and Automation, 2004. Proceedings. ICRA’04. 2004, Vol. 5. IEEE, 2004*, str. 4393–4398.
- [52] Bouabdallah, S., Siegwart, R., “Backstepping and sliding-mode techniques applied to an indoor micro quadrotor”, in *Proceedings of the 2005 IEEE international conference on robotics and automation. IEEE, 2005*, str. 2247–2252.
- [53] Michael, N., Mellinger, D., Lindsey, Q., Kumar, V., “The grasp multiple micro-uav testbed”, *IEEE Robotics & Automation Magazine*, Vol. 17, No. 3, 2010, str. 56–65.
- [54] Shen, S., Michael, N., Kumar, V., “Autonomous multi-floor indoor navigation with a computationally constrained mav”, in *2011 IEEE International Conference on Robotics and Automation. IEEE, 2011*, str. 20–25.
- [55] Shen, S., Mulgaonkar, Y., Michael, N., Kumar, V., “Multi-sensor fusion for robust autonomous flight in indoor and outdoor environments with a rotorcraft mav”, in *2014 IEEE International Conference on Robotics and Automation (ICRA). IEEE, 2014*, str. 4974–4981.
- [56] Mellinger, D., Michael, N., Kumar, V., “Trajectory generation and control for precise aggressive maneuvers with quadrotors”, *The International Journal of Robotics Research*, Vol. 31, No. 5, 2012, str. 664–674.
- [57] Mahony, R., Kumar, V., Corke, P., “Multirotor aerial vehicles: Modeling, estimation, and control of quadrotor”, *IEEE robotics & automation magazine*, Vol. 19, No. 3, 2012, str. 20–32.
- [58] Lupashin, S., Hehn, M., Mueller, M. W., Schoellig, A. P., Sherback, M., D’Andrea, R., “A platform for aerial robotics research and demonstration: The flying machine arena”, *Mechatronics*, Vol. 24, No. 1, 2014, str. 41–54.

- [59] Müller, M., Lupashin, S., D'Andrea, R., "Quadrocopter ball juggling", in 2011 IEEE/RSJ international conference on Intelligent Robots and Systems. IEEE, 2011, str. 5113–5120.
- [60] Ritz, R., Müller, M. W., Hehn, M., D'Andrea, R., "Cooperative quadrocopter ball throwing and catching", in 2012 IEEE/RSJ International Conference on Intelligent Robots and Systems. IEEE, 2012, str. 4972–4978.
- [61] Mueller, M. W., D'Andrea, R., "Stability and control of a quadrocopter despite the complete loss of one, two, or three propellers", in 2014 IEEE international conference on robotics and automation (ICRA). IEEE, 2014, str. 45–52.
- [62] Johansen, T. A., Fossen, T. I., "Control allocation—a survey", *Automatica*, Vol. 49, No. 5, 2013, str. 1087–1103.
- [63] Kuric, M., Lacevic, B., Osmic, N., Tahirovic, A., "Rls-based fault-tolerant tracking control of multirotor aerial vehicles", in 2017 IEEE International Conference on Advanced Intelligent Mechatronics (AIM). IEEE, 2017, str. 1148–1153.
- [64] Kuric, M., Osmic, N., Tahirovic, A., "Multirotor aerial vehicle modeling in modelica", in Proceedings of the 12th International Modelica Conference, Prague, Czech Republic, May 15-17, 2017, No. 132. Linköping University Electronic Press, 2017, str. 373–380.
- [65] Osmić, N., Kurić, M., Petrović, I., "Detailed octorotor modeling and pd control", in 2016 IEEE International Conference on Systems, Man, and Cybernetics (SMC). IEEE, 2016, str. 002 182–002 189.
- [66] on the Accident at Three Mile Island, U. S. P. C., The need for change, the legacy of TMI: report of the President's Commission on the Accident at Three Mile Island. The Commission, 1979.
- [67] information service of energy, W., "Chernobyl: Chronology of a disaster", No. 724. World information service of energy and the nuclear and resource service, march, 2011, str. 1–20.
- [68] Holt, M., Campbell, R. J., Nikitin, M. B., Fukushima nuclear disaster. Congressional Research Service, 2012.
- [69] Patton, R., "Fault tolerant control: the 1997 situation", in Proceedings of the IFAC Symposium - SAFEPROCES '97, Hull, UK. IFAC, 1997, str. 1035–1055.
- [70] Smaili, H., Breeman, J., Lombaerts, T., Stroosma, O., "A benchmark for fault tolerant flight control evaluation", IFAC Proceedings Volumes, Vol. 42, No. 8, 2009, str. 241–246.

- [71] Achtmann, E. D., “A critical review of world jet transport safety”, Cambridge, MA: MIT, Dept. of Aeronautics & Astronautics, Flight Transportation Laboratory,[1995], Tech. Rep., 1995.
- [72] Chen, J., Patton, R. J., Robust model-based fault diagnosis for dynamic systems. Springer Science & Business Media, 2012, Vol. 3.
- [73] Isermann, R., Ballé, P., “Trends in the application of model-based fault detection and diagnosis of technical processes”, Control engineering practice, Vol. 5, No. 5, 1997, str. 709–719.
- [74] Isermann, R., Fault-diagnosis systems: an introduction from fault detection to fault tolerance. Springer Science & Business Media, 2006.
- [75] Pouliezios, A., Stavrakakis, G. S., Real time fault monitoring of industrial processes. Springer Science & Business Media, 2013, Vol. 12.
- [76] Aström, K. J., Albertos, P., Blanke, M., Isidori, A., Schaufelberger, W., Sanz, R., Control of complex systems. Springer Science & Business Media, 2011.
- [77] Seliger, R., Frank, P. M., “Fault-diagnosis by disturbance decoupled nonlinear observers”, in Decision and Control, 1991., Proceedings of the 30th IEEE Conference on. IEEE, 1991, str. 2248–2253.
- [78] Zhirabok, A., “Fault detection and isolation: linear and nonlinear system”, in Proceeding of the IFAC Symposium Safeprocess’ 97. IFAC, 1997, str. 903–908.
- [79] Frank, P. M., “Analytical and qualitative model-based fault diagnosis—a survey and some new results”, European Journal of control, Vol. 2, No. 1, 1996, str. 6–28.
- [80] Zhang, Y., Jiang, J., “Bibliographical review on reconfigurable fault-tolerant control systems”, Annual reviews in control, Vol. 32, No. 2, 2008, str. 229–252.
- [81] Mahmoud, M., Jiang, J., Zhang, Y., Active fault tolerant control systems: stochastic analysis and synthesis. Springer Science & Business Media, 2003, Vol. 287.
- [82] Alwi, H., Edwards, C., Tan, C. P., Fault detection and fault-tolerant control using sliding modes. Springer Science & Business Media, 2011.
- [83] Venkatasubramanian, V., Rengaswamy, R., Yin, K., Kavuri, S. N., “A review of process fault detection and diagnosis: Part i: Quantitative model-based methods”, Computers & chemical engineering, Vol. 27, No. 3, 2003, str. 293–311.

- [84] Venkatasubramanian, V., Rengaswamy, R., Kavuri, S. N., “A review of process fault detection and diagnosis: Part ii: Qualitative models and search strategies”, *Computers & Chemical Engineering*, Vol. 27, No. 3, 2003, str. 313–326.
- [85] Venkatasubramanian, V., Rengaswamy, R., Kavuri, S. N., Yin, K., “A review of process fault detection and diagnosis: Part iii: Process history based methods”, *Computers & chemical engineering*, Vol. 27, No. 3, 2003, str. 327–346.
- [86] Adjallah, K., Maquin, D., Ragot, J. *et al.*, “Non-linear observer-based fault detection”, in *Proceedings of IEEE Conference on Control Applications*, 1994, str. 1115–1120.
- [87] Sreedhar, R., Fernandez, B., Masada, G., “Robust fault detection in nonlinear systems using sliding mode observers”, in *Control Applications*, 1993., *Second IEEE Conference on. IEEE*, 1993, str. 715–721.
- [88] Chamseddine, A., Amoozgar, M. H., Zhang, Y. M., “Experimental validation of fault detection and diagnosis for unmanned aerial vehicles”, in *Handbook of Unmanned Aerial Vehicles*. Springer, 2015, str. 1123–1155.
- [89] Gertler, J., *Fault detection and diagnosis in engineering systems*. CRC press, 1998.
- [90] Amoozgar, M. H., Chamseddine, A., Zhang, Y., “Experimental test of a two-stage kalman filter for actuator fault detection and diagnosis of an unmanned quadrotor helicopter”, *Journal of Intelligent & Robotic Systems*, Vol. 70, No. 1-4, 2013, str. 107–117.
- [91] Ducard, G., Geering, H. P., “Efficient nonlinear actuator fault detection and isolation system for unmanned aerial vehicles”, *Journal of Guidance, Control, and Dynamics*, Vol. 31, No. 1, 2008, str. 225–237.
- [92] Gertler, J., Singer, D., “A new structural framework for parity equation-based failure detection and isolation”, *Automatica*, Vol. 26, No. 2, 1990, str. 381–388.
- [93] Isermann, R., Münchhof, M., *Identification of dynamic systems: an introduction with applications*. Springer Science & Business Media, 2010.
- [94] Basson, L., “Control allocation as part of a fault-tolerant control architecture for uavs”, *Doktorski rad*, Stellenbosch: University of Stellenbosch, 2011.
- [95] Torun, E., “Uav requirements and design consideration”, *TURKISH LAND FORCES COMMAND ANKARA (TURKEY)*, Tech. Rep., 2000.
- [96] Elands, P., de Kraker, J., Laarakkers, J., Olk, J., Schonagen, J., “Technical aspects concerning the safe and secure use of drones”, *TNO*, Tech. Rep., 2016.

- [97] Freeman, P., Balas, G. J., “Actuation failure modes and effects analysis for a small uav”, in American Control Conference (ACC), 2014. IEEE, 2014, str. 1292–1297.
- [98] Bassi, E., “European drones regulation: Today’s legal challenges”, in 2019 International Conference on Unmanned Aircraft Systems (ICUAS). IEEE, 2019, str. 443–450.
- [99] Bendea, H., Boccardo, P., Dequal, S., Giulio Tonolo, F., Marenchino, D., Piras, M., “Low cost uav for post-disaster assessment”, The International Archives of the Photogrammetry, Remote Sensing and Spatial Information Sciences, Vol. 37, No. B8, 2008, str. 1373–1379.
- [100] Neitzel, F., Klonowski, J., “Mobile 3d mapping with a low-cost uav system”, Int. Arch. Photogramm. Remote Sens. Spat. Inf. Sci, Vol. 38, 2011, str. 1–6.
- [101] Kmenta, S., Ishii, K., “Scenario-based failure modes and effects analysis using expected cost”, Journal of Mechanical Design, Vol. 126, No. 6, 2004, str. 1027–1035.
- [102] Potts, H. W., Anderson, J. E., Colligan, L., Leach, P., Davis, S., Berman, J., “Assessing the validity of prospective hazard analysis methods: a comparison of two techniques”, BMC health services research, Vol. 14, No. 1, 2014, str. 41.
- [103] Army, U., “Failure modes, effects and criticality analysis (fmeca) for command, control, communications, computer, intelligence, surveillance, and reconnaissance (c4isr) facilities”, Department of the Army, Technical Manual No. TM, 2006, str. 5–698.
- [104] NASA Goddard Space Flight Center, G., “Flight assurance procedure p-302-720: Performing a failure modes and effects analysis.”, 2007.
- [105] Osmic, N., Tahirbegovic, A., Tahirovic, A., Bogdan, S., “Failure mode and effects analysis for large scale multicopter unmanned aerial vehicle controlled by moving mass system”, in 2018 IEEE International Systems Engineering Symposium (ISSE). IEEE, 2018, str. 1–8.
- [106] Mellinger, D., Kumar, V., “Minimum snap trajectory generation and control for quadrotors”, in 2011 IEEE International Conference on Robotics and Automation. IEEE, 2011, str. 2520–2525.
- [107] Osmic, N., Tahirovic, A., Petrovic, I., “Risk-sensitive motion planning for mavs based on mission-related fault-tolerant analysis”, Automatika, Vol. 61, No. 2, 2020, str. 295–311.

Popis slika

2.1. Prikaz oktokoptera (pogled odozgo).	13
2.2. Lokalni koordinatni sustav.	14
2.3. Generirane sile na pogonskim motorima.	15
2.4. Rotacija oko X osi.	16
2.5. Rotacija oko Y osi.	17
2.6. Rotacija oko Z osi.	18
2.7. Bazni koordinatni sustav.	19
2.8. Dvodimenzionalna transformacija koordinata.	19
2.9. Rotacija oktokoptera u lokalnom i globalnom koordinatnom sustavu.	21
2.10. Mase sustava.	26
2.11. Žiroskopski utjecaj.	29
2.12. Poravnanje lokalnog koordinatnog sustava s koordinatnim sustavom motora. . .	31
2.13. Električna shema rotorskog kruga.	31
2.14. Generirane sile i momenti na sustavu kvadkoptera.	37
2.15. Prikaz heksakoptera sa smjerovima vrtnje pogonskih motora s propelerima. . .	38
3.1. Blokowska shema regulatora brzine vrtnje motora.	43
3.2. Praćenje referentne brzine vrtnje motora.	44
3.3. Struja na namotima motora prilikom odziva na složenu periodičku harmonijsku pobudu.	44
3.4. Napon na namotima motora prilikom odziva na složenu periodičku harmonijsku pobudu.	45
3.5. Blokowska shema vektoriziranog regulatora brzine vrtnje motora.	47
3.6. Blokowska shema upravljačke alokacije.	49
3.7. Blok shema aktuacije.	49
3.8. Blokowska shema regulatora za praćenje referentne visine.	52
3.9. Rezultati praćenja visine.	52
3.10. Blokowska shema regulatora za praćenje referentne orijentacije.	54
3.11. Rezultati praćenja visine i orijentacije.	55

3.12. Blokovska shema za praćenje x i y koordinata referentne pozicije.	58
3.13. Blokovska shema preslikavanja temeljenog na načelu ravnosti.	59
3.14. Rezultati praćenja pozicije i orijentacije letjelice.	60
3.15. Blokovska shema upravljačke arhitekture regulatora za praćenje referentne tra- jektorije.	61
3.16. Prikaz praćenja Vivijanijeve trajektorije u trodimenzionalnom prostoru za sustav s ispravnim pogonskim motorima s propelerima.	62
3.17. Prikaz pogrešaka praćenja pozicije i orijentacije bespilotne letjelice.	62
3.18. Prikaz praćenje Vivijanijeve trajektorije u trodimenzionalnom prostoru za sustav bespilotne letjelice s kvarom na motoru 3.	63
3.19. Prikaz pogrešaka praćenja pozicije i orijentacije bespilotne letjelice s kvarom na motoru 3.	64
4.1. Oktokopter: prikaz područja vrijednosti upravljačke varijable (T , τ_x , τ_y) iz četverodimenzionalnog dopustivog područja u trodimenzionalnom prostoru za $\tau_z = 0$	68
4.2. Oktokopter: prikaz područja vrijednosti upravljačke varijable (T , τ_x , τ_z) iz četverodimenzionalnog dopustivog područja u trodimenzionalnom prostoru za $\tau_y = 0$	68
4.3. Oktokopter: prikaz područja vrijednosti upravljačke varijable (T , τ_y , τ_z) iz četverodimenzionalnog dopustivog područja u trodimenzionalnom prostoru za $\tau_x = 0$	69
4.4. Oktokopter: projekcija momenata τ_x , τ_y u ravnini $T = mg$	70
4.5. Oktokopter: projekcija momenata τ_x i τ_y na ravninu $T = mg$, za slučaj nastanka kvarnog stanja na motoru 1.	70
4.6. Oktokopter: projekcija momenata τ_x i τ_y na ravninu $T = mg$ za slučaj nastanka kvarnog stanja na motorima 1 i 2.	71
4.7. Kvadkopter: projekcija momenata τ_x i τ_y na ravninu $T = mg$, za slučaj nastanka kvarnog stanja na motoru 1.	75
4.8. Kvadkopter: projekcija momenata τ_x i τ_z na ravninu $T = mg$, za slučaj nastanka kvarnog stanja na motoru 1.	75
5.1. Mehanizam rekonfiguracije kod aktivnih metoda upravljanja otpornog na kvarna stanja [72].	88
5.2. Podjela metoda upravljanja otpornog na kvarna stanja [82].	89
5.3. Podjela metoda za dijagnostiku kvarnih stanja [80].	89
5.4. Prikaz koncepta analitičke i fizičke redundancije [72].	90

5.5. Načelna shema za identifikaciju i lokalizaciju kvarnih stanja kod aktivnih metoda [72].	91
5.6. Prikaz globalnog i lokalnog koordinatnog sustava oktokoptera.	97
5.7. Upravljačka arhitektura za upravljanje otporno na kvarna stanja [63].	98
5.8. Praćenje Vivijanijeve krivulje u 3D prostoru za slučaj kvarnog stanja na motoru 3 za $t \geq 5$ [s].	100
5.9. Lijevo: Praćenje pojedinačnih koordinata Vivijanijeve krivulje za slučaj kvarnog stanja na motoru 3 za $t \geq 5$ [s]. Desno: pogreška praćenja Vivijanijeve krivulje za slučaj kvarnog stanja na motoru 3 za $t \geq 5$ [s].	101
5.10. Estimacija parametara vektora kapaciteta rotora za slučaj kvarnog stanja na motoru 3 za $t \geq 5$ [s], plavom bojom su prikazani stvarni kapacitetti pogonskih motora a crvenom bojom estimirani.	102
6.1. Koraci u provođenje FME analize [27].	109
6.2. Prikaz opće strukture bespilotne letjelice [27].	110
6.3. Primjer izvedbe s redukcijom uvođenjem dodatnih elektoničkih komponenata [105].	111
7.1. Uzorkovanje Vivijanijeve krivulje jednoliko u 21 točki.	121
7.2. Prikaz područja vrijednosti upravljačke varijable za slučaj bez kvarnog stanja (označena zelenom bojom) i slučaj jednostrukog kvarnog stanja na motoru 1 (označena crvenom bojom).	122
7.3. Generirane putanje primjenom <i>RIP</i> , <i>RCP</i> i <i>RSP</i> planera gibanja za vrijeme izvršavanja misije od 20 sekundi.	123
7.4. Prikaz praćenja trajektorija dobivenih primjenom <i>RIP</i> , <i>RCP</i> i <i>RSP</i> planera gibanja za vrijeme izvršenja misije 20 [s] i kvarnim stanjem na motoru 1 nastalim u 8 sekundi.	124
7.5. Prikaz praćenja koordinata x , y , z i orijetacije ψ i greške praćenja e_x , e_y , e_z i e_ψ za slučaj trajektorije gererirane <i>RIP</i> planerom s vremenom izvršenja 20 [s] i kvarnim stanjem na motoru 1 nastalim u 8 sekundi.	125
7.6. Prikaz praćenja koordinata x , y , z i orijetacije ψ i greške praćenja e_x , e_y , e_z i e_ψ za slučaj trajektorije gererirane <i>RCP</i> planerom s vremenom izvršenja 20 [s] i kvarnim stanjem na motoru 1 nastalim u 8 sekundi.	126
7.7. Prikaz praćenja koordinata x , y , z i orijetacije ψ i greške praćenja e_x , e_y , e_z i e_ψ za slučaj trajektorije gererirane <i>RIP</i> planerom s vremenom izvršenja 20 [s] i kvarnim stanjem na motoru 1 nastalim u 8 sekundi.	127

- 7.8. Prikaz dopuštenog skupa upravljačke varijable za slučaj bez kvarnog stanja (označen zelenom bojom) i za slučaj istodobnog kvarnog stanja na motorima 1 i 6 (označen crvenom bojom). 127
- 7.9. Generirane putanje primjenom *RIP* (bez kvarnog stanja), *RCP* (kvarno stanje na motorima 1 i 6) i *RSP* (odabrane nejednadžbe iz skupa za kvarno stanje na motorima 1 i 6) planera gibanja za vrijeme izvršenja misije 26 sekundi. 129
- 7.10. Prikaz praćenja trajektorija dobivenih primjenom *RIP*, *RCP* i *RSP* planera gibanja (vrijeme izvršenja misije 26 [s]), kvarnim stanjem na motorima 1 i 6 (vrijeme nastanka kvarnog stanja 8 [s] i 12 [s] respektivno). 129
- 7.11. Prikaz praćenja trajektorija dobivenih primjenom *RIP*, *RCP* i *RSP* planera gibanja (vrijeme izvršenja misije od 16, 26 i 18 [s] respektivno), s kvarnim stanjem na motorima 1 i 6, (vrijeme nastanka kvarnog stanja 8 i 12 [s] respektivno). 130

Popis tablica

4.1. Kvadkopter: analiza upravljivosti za slučaj nastanka jednostrukog kvara.	74
4.2. Heksakopter: Analiza upravljivosti za slučaj nastanka jednostrukog kvarnog stanja na pogonskim motorima za strukturu s PNPNP i PPNNPN smjerovima vrtnje pogonskih motora.	76
4.3. Heksakopter: Analiza upravljivosti za slučaj nastanka dvostrukog kvarnog stanja na pogonskim motorima za strukturu s PNPNP smjerovima vrtnje pogonskih motora.	78
4.4. Heksakopter: Analiza upravljivosti za slučaj nastanka kvarnog stanja na dva pogonska motora za strukturu s PPNNPN smjerovima vrtnje pogonskih motora.	79
4.5. Oktokopter: Analiza upravljivosti za slučaj nastanka jednostrukog kvarnog stanja na pogonskim motorima za strukturu s PNPNPNP i PPNNPPNN smjerovima vrtnje pogonskih motora.	80
4.6. Oktokopter: Analiza upravljivosti za slučaj nastanka dvostrukog kvara za strukturu s PNPNPNP smjerovima vrtnje pogonskih motora.	82
4.7. Oktokopter: Analiza upravljivosti za slučaj nastanka dvostrukog kvara za strukturu s PPNNPPNN smjerovima vrtnje pogonskih motora.	83
6.1. FMEA matrica rizika [97].	106
6.2. Ocjene za: (i) učestalost (<i>engl.</i> occurrence (O)), (ii) ozbiljnost (<i>engl.</i> severity (S)) i otkrivanje (<i>engl.</i> detection(D)) pomoću FME analize.	108
6.3. Prikaz dijela kvarnih stanja s visokim <i>RPN</i> brojem [27].	110
7.1. Usporedba performansi za <i>RIP</i> i <i>RCP</i> planer (Slučaj 1, koraci 1, 2 i 3).	122
7.2. Usporedba performansi <i>RIP</i> , <i>RCP</i> i <i>RSP</i> planera gibanja za $T = 20$ [s] (Slučaj 1, koraci 5 i 6).	123
7.3. Usporedba performansi <i>RIP</i> , <i>RCP</i> i <i>RSP</i> planera gibanja za $T = 20$ [s] (Slučaj 1, koraci 5 i 6).	125
7.4. Usporedba performansi <i>RIP</i> , <i>RCP</i> i <i>RSP</i> planera gibanja za slučaj dvostrukog kvara za njihova minimalna vremena (Slučaj 2, koraci 2, 3 i 5).	128

7.5.	Usporedba performansi <i>RIP</i> , <i>RCP</i> i <i>RSP</i> planera gibanja za $T = 26$ [s], za slučaj istodobnog kvarnog stanja, na motorima 1 i 6 (Slučaj 2, koraci 5 i 6).	130
7.6.	Usporedba performansi <i>RIP</i> , <i>RCP</i> i <i>RSP</i> planera gibanja (vrijeme izvršenja misije od 16, 26 i 18 [s] respektivno), za slučaj istodobnog kvarnog stanja, na motorima 1 i 6 (Slučaj 2, koraci 5 i 6).	131
7.7.	Usporedba performansi <i>RIP</i> , <i>RCP</i> i <i>RSP</i> planera gibanja za slučaj svih mogućih jednostrukih kvarova za njihova minimalna vremena (Slučaj 3, koraci 1, 2 i 3).	131
7.8.	Broj narušenih nejednadžbi za <i>RIP</i> , <i>RCP</i> i <i>RSP</i> planer za sve moguće jednostruke kvarove (M_i) u odnosu na dopustivi skup upravljačke varijable (Slučaj 3, koraci 4, 5, i 6).	133
7.9.	Usporedba izvedivosti trajektorija dobivenih primjenom <i>RIP</i> , <i>RCP</i> i <i>RSP</i> planera, za sve moguće jednostruke kvarove (M_i) pri slučajnom odabiru trenutka nastanka kvarnog stanja.	133

Životopis

Nedim Osmić rođen je 03. prosinca 1976. godine u Doboju, Bosna i Hercegovina. Osnovnu školu završio je u Tešnju, a započeo je srednju Elektrotehničku školu u Doboju, koju zbog ratnih događanja prekida i nastavlja srednju Matematičko-fizičko računarsku školu u Tešnju, smjer matematički tehničar. Srednje obrazovanje završio je odličnim uspjehom u školskoj 1994/1995. U prosincu 1995. upisuje Elektrotehnički fakultet u Tuzli. Deblokiranjem Sarajeva, u listopadu 1996. nastavlja drugu godinu studija na Elektrotehničkom fakultetu u Sarajevu na odsjeku za automatiku i elektroniku. Kandidat je stekao status absolventa u školskoj 2000./2001. te se u 2002. zaposlio u firmi „Meditrade 96“ radeći na održavanju visoko automatiziranih sustava iz područja medicinske automatizacije analize krvnih pretraga. U listopadu 2003. brani diplomski rad na temu „Reaktivno upravljanje mobilnim robotom“. U školskoj 2004./2005. upisuje magistarski studij na Elektrotehničkom fakultetu Univerziteta u Sarajevu na Odsjeku za automatiku i elektroniku, gdje i magistrira na temu „Sinteza fuzzy viševarijabilnog sistema upravljanja i stabilizacije laboratorijskog modela helikoptera“ u lipnju 2009. Od prosinca 2006. je u stalnom radnom odnosu na Elektrotehničkom fakultetu Univerziteta u Sarajevu, prvo kao asistent, zatim kao viši asistent te trenutno kao voditelj laboratorija. Glavna su mu područje istraživanja mobilna robotika, mehatronički sustavi te inteligentno upravljanje. Oženjen je i otac je dva djeteta.

Popis objavljenih djela

Radovi publicirani na međunarodnim konferencijama

1. Osmić, N., Kuric, M., Petrović, I., “Detailed octorotor modeling and pd control”, in 2016 IEEE International Conference on Systems, Man, and Cybernetics (SMC). IEEE, 2016, str. 2182–2189.
2. Kuric, M., Osmić, N., Tahirović, A., “Multicopter aerial vehicle modeling in modelica”, in Proceedings of the 12th International Modelica Conference, Prague, Czech Republic, May 15-17, 2017, No. 132. Linköping University Electronic Press, 2017, str. 373–380.
3. Kuric, M., Lacević, B., Osmić, N., Tahirović, A., “Rls-based fault-tolerant tracking control of multicopter aerial vehicles”, in 2017 IEEE International Conference on Advanced

- Intelligent Mechatronics (AIM). IEEE, 2017, str. 1148–1153.
4. Velagic, J., Osmic, N., Pušcul, B., Krilaševic, S., “Identification, model validation and control of an octorotor unmanned aerial vehicle”, in 2018 IEEE 16th International Conference on Industrial Informatics (INDIN). IEEE, 2018, str. 381–387.
 5. Osmic, N., Tahirbegovic, A., Tahirovic, A., Bogdan, S., “Failure mode and effects analysis for large scale multicopter unmanned aerial vehicle controlled by moving mass system”, in 2018 IEEE International Systems Engineering Symposium (ISSE). IEEE, 2018, str. 1–8.

Radovi u časopisima

1. Osmic, N., Tahirovic, A., Petrovic, I., “Risk-sensitive motion planning for mavs based on mission-related fault-tolerant analysis”, *Automatika*, Vol. 61, No. 2, 2020, str. 295-311.

Biography

Nedim Osmic was born on 03 December 1976 in Doboj, Bosnia and Herzegovina. He received his pre-university education (ending with qualification mathematical-computer technician) in Tešanj, completing it in the 1994/1995 school year with straight A grades. In December 1995 he enrolled at the Faculty of Electrical Engineering in Tuzla. After Sarajevo siege ending, in October 1996, he continued his second year of study at the Faculty of Electrical Engineering in Sarajevo, Department of Automation and Electronics. The candidate became an advanced university student in the 2000/2001 school year. In 2002 he took a job at „Meditrade 96“, working on the service and maintenance of highly automated systems in the field of medical automation of blood tests. In October 2003 he defended his graduation thesis on "Reactive control of a mobile robot". In the school year 2004/2005 he enrolled in a master's degree program at the Faculty of Electrical Engineering, University of Sarajevo, Department of Automation and Electronics, obtaining a master's degree on "Synthesis of a fuzzy multivariable control system and stabilization of the laboratory model of a helicopter" in June 2009. Since December 2006, he has been full-time employed at the Faculty of Electrical Engineering, University of Sarajevo, first as an assistant, then as a senior assistant and currently as head of the laboratory. His main research area of interest is mobile robotics, mechatronic systems, and intelligent control. He is married and the father of two children.

List of publications

Conference paper

1. Osmic, N., Kuric, M., Petrovic, I., "Detailed octorotor modeling and pd control", in 2016 IEEE International Conference on Systems, Man, and Cybernetics (SMC). IEEE, 2016, str. 2182–2189.
2. Kuric, M., Osmic, N., Tahirovic, A., "Multirotor aerial vehicle modeling in modelica", in Proceedings of the 12th International Modelica Conference, Prague, Czech Republic, May 15-17, 2017, No. 132. Linköping University Electronic Press, 2017, str. 373–380.
3. Kuric, M., Lacevic, B., Osmic, N., Tahirovic, A., "Rls-based fault-tolerant tracking control of multirotor aerial vehicles", in 2017 IEEE International Conference on Advanced

- Intelligent Mechatronics (AIM). IEEE, 2017, str. 1148–1153.
4. Velagic, J., Osmic, N., Pušcul, B., Krilaševic, S., “Identification, model validation and control of an octorotor unmanned aerial vehicle”, in 2018 IEEE 16th International Conference on Industrial Informatics (INDIN). IEEE, 2018, str. 381–387.
 5. Osmic, N., Tahirbegovic, A., Tahirovic, A., Bogdan, S., “Failure mode and effects analysis for large scale multicopter unmanned aerial vehicle controlled by moving mass system”, in 2018 IEEE International Systems Engineering Symposium (ISSE). IEEE, 2018, str. 1–8.

Journal papers

1. Osmic, N., Tahirovic, A., Petrovic, I., “Risk-sensitive motion planning for mavs based on mission-related fault-tolerant analysis”, *Automatika*, Vol. 61, No. 2, 2020, str. 295-311.