

Određivanje rezerve snage fotonaponskih elektrana za potrebe regulacije frekvencije elektroenergetskoga sustava

Baškarad, Tomislav

Doctoral thesis / Disertacija

2023

Degree Grantor / Ustanova koja je dodijelila akademski / stručni stupanj: **University of Zagreb, Faculty of Electrical Engineering and Computing / Sveučilište u Zagrebu, Fakultet elektrotehnike i računarstva**

Permanent link / Trajna poveznica: <https://urn.nsk.hr/urn:nbn:hr:168:065929>

Rights / Prava: [In copyright](#) / [Zaštićeno autorskim pravom](#).

Download date / Datum preuzimanja: **2024-07-17**



Repository / Repozitorij:

[FER Repository - University of Zagreb Faculty of Electrical Engineering and Computing repository](#)





Sveučilište u Zagrebu
FAKULTET ELEKTROTEHNIKE I RAČUNARSTVA

Tomislav Baškarad

**ODREĐIVANJE REZERVE SNAGE
FOTONAPONSKIH ELEKTRANA ZA POTREBE
REGULACIJE FREKVENCije
ELEKTROENERGETSKOGA SUSTAVA**

DOKTORSKI RAD

Zagreb, 2023.



Sveučilište u Zagrebu
FAKULTET ELEKTROTEHNIKE I RAČUNARSTVA

Tomislav Baškarad

**ODREĐIVANJE REZERVE SNAGE
FOTONAPONSKIH ELEKTRANA ZA POTREBE
REGULACIJE FREKVENCije
ELEKTROENERGETSKOGA SUSTAVA**

DOKTORSKI RAD

Mentor: prof. dr. sc. Igor Kuzle

Zagreb, 2023.



University of Zagreb

FACULTY OF ELECTRICAL ENGINEERING AND COMPUTING

Tomislav Baškarad

**ASSESSMENT OF PHOTOVOLTAIC POWER
PLANTS POWER RESERVE IN POWER SYSTEM
FREQUENCY CONTROL**

DOCTORAL THESIS

Supervisor: Professor Igor Kuzle, PhD

Zagreb, 2023

Doktorski rad izrađen je na Sveučilištu u Zagrebu Fakultetu elektrotehnike i računarstva, na Zavodu za visoki napon i energetiku.

Mentor: prof. dr. sc. Igor Kuzle

Doktorski rad ima: 114 stranica

Doktorski rad br.: _____

O mentoru

Igor Kuzle (www.fer.unizg.hr/igor.kuzle) je redoviti profesor u trajnom zvanju na Zavodu za visoki napon i energetiku, Sveučilišta u Zagrebu Fakulteta elektrotehnike i računarstva (FER). Rodio se je u Tuzli 1967. godine. Diplomirao je, magistrirao i doktorirao u polju elektrotehnike 1991., 1997. odnosno 2002. godine na FER-u, gdje u kontinuitetu radi od srpnja 1992. godine. Član je dva znanstvena vijeća Hrvatske akademije znanosti i umjetnosti (HAZU), Znanstvenog vijeća za tehnološki razvoj i Znanstvenog vijeća za naftno-plinsko gospodarstvo i energetiku.

Prof. Kuzle je nagrađen Nacionalnom nagradom za znanost 2018. godine za svoj doprinos znanosti u području naprednih mreža u prijenosnom sustavu te 2016. Nagradom za znanost FER-a za svoj izniman istraživački doprinos i inovacije u razdoblju od 2010 do 2015. u području fleksibilnosti naprednih elektroenergetskih mreža. Dobitnik je nagrade HAZU za 2019. godinu za znanstveni doprinos iz primjene različitih koncepata upravljanja naprednim elektroenergetskim mrežama u svrhu povećanja fleksibilnosti elektroenergetskog sustava te omogućavanja masovne integracije obnovljivih izvora energije. Član je Odbora za znanost i međunarodnu suradnju Sveučilišta u Zagrebu te dopredsjednik za znanost Matičnog odbora za elektrotehniku i računarstvo Nacionalnog vijeća za znanost, visoko obrazovanje i tehnološki razvoj.

Sudjelovao je na sedam znanstvenih projekata Ministarstva znanosti, obrazovanja i sporta (MZOS) Republike Hrvatske, tri projekta Hrvatske zaklade za znanost (HRZZ), jednom inovacijsko-razvojnem (IRI) projektu Europskog fonda za regionalni razvoj, tri EU FP7 i tri H2020 projekta. Trenutno je koordinator hrvatskih partnera na H2020 projektu CROSSBOW, koordinator IRI projekta KONPRO 2 i voditelj HRZZ istraživačkog projekta WINDLIPS financiranog od Hrvatske zaklade za znanost te jednog bilateralnog projekta s Republikom Kinom WIND ASP.

Na Sveučilištu u Zagrebu prof. Kuzle je ustrojio istraživački Laboratorij za napredne elektroenergetske mreže koji omogućava praktična istraživanja iz područja naprednih pametnih mreža (virtualni spremnik energije, virtualna elektrana, različite proizvodne kombinacije obnovljivih izvora energije, odziv potrošnje, otočni i paralelni rad sa sustavom, ac/dc mikro mrežu itd.). Istražuje probleme iz područja dinamike i regulacije elektroenergetskih sustava, održavanja elektroenergetske opreme, naprednih mreža te integracije obnovljivih izvora energije.

Član je uredničkih odbora osam znanstvenih časopisa te sudjeluje kao recenzent u većem broju inozemnih časopisa. Objavio je četiri knjige i više od 400 radova u časopisima i na konferencijama uključujući i tehničke studije i elaborate za komunalne tvrtke i industriju (bio je voditelj više od 80 projekata). Bio je ili je predsjedavajući šest međunarodnih konferencija (IEEE SGSMA 2022, CGEE 2021, CGEE 2020, IET Medpower 2018, IEEE Energycon 2014, IEEE Eurocon 2013) te 11. nacionalnog savjetovanja HRO CIGRÉ 2013. godine kao i predsjednik Lokalnog organizacijskog odbora konferencija PACWorld 2014 i European Energy Market 2011. Bio je član u više od 60 međunarodnih programskih/ tehničkih ili upravnih odbora znanstvenih konferencija, a održao je i više od 20 pozvanih predavanja.

Od 2012. član je stručnog savjetodavnog odbora za procjenu utjecaja na okoliš obnovljivih izvora energije Ministarstva zaštite okoliša i energetike (MZOE) te član Odbora za priključak obnovljivih izvora energije Hrvatskog operatora prijenosnog sustava (HOPS). Član je odbora za dodjelu znaka „Hrvatska kvaliteta“ Hrvatske gospodarske komore te je član Hrvatske komore inženjera i ovlaštenu inženjer od 1994.

Posebno je aktivan u najvećoj svjetskoj inženjerskoj udruzi IEEE (s više od 400.000 članova) gdje je obnašao više dužnosti. U periodu 2015.-2016. bio je dopredsjednik za tehničke aktivnosti IEEE Regije 8, 2009.-2012. predsjednik Hrvatske sekcije IEEE, a od 2021. predstavnik je svih Odjela za energetiku Europe, Afrike i Bliskog Istoka. Član suradnik je Akademije tehničkih znanosti Hrvatske (HATZ) te član stručne udruge CIGRE (2009-2012 član izvršnog odbora hrvatskog ogranka CIGRE). Od 2019. član je Upravnog odbora Hrvatskog društva održavatelja.

About the Supervisor

Igor Kuzle (www.fer.unizg.hr/en/igor.kuzle) is a full professor at the Department of Energy and Power Systems of the University of Zagreb's Faculty of Electrical Engineering and Computing (FER). He was born in 1967 in Tuzla. He received the B.Sc. degree in 1991, the M.Sc. degree in 1997, and the Ph.D. degree in electrical engineering in 2002 from FER, where he has worked continuously since July 1992. He is a member of two scientific councils of Croatian Academy of Sciences and Arts (Scientific Council for Technological Development and Scientific Council for Crude Oil and Gas Economy and Power Supply). He has been an associate member of Croatian Academy of Engineering since 2017.

Prof. Kuzle was awarded the Croatian National Science Award for the year 2018 for his outstanding contribution in the field of smart grid applications in the transmission system. In 2016, he received annual Science award from the Faculty of Electrical Engineering and Computing for outstanding achievement in research or innovation in the last five years in the field of smart grid flexibility. In 2019, he received the Excellence in Engineering Award from the Croatian Academy of Sciences and Arts. The award recognizes work in the field of applying various control concepts to increase the flexibility of the power system and further integrate renewable energy sources. At the University of Zagreb, he is a member of the Committee for Science and International Cooperation and Vice President for Science of the Scientific Field Committee for Electrical Engineering and Computer Science of the National Agency for Science and Higher Education, which evaluates the scientific contribution of candidates in the selection process of university professors in Croatia.

He has participated in seven scientific projects of the Ministry of Science, Education and Sports of the Republic of Croatia, three Croatia Science Foundation (HRZZ) projects, one innovation and development (IRI) project of the European Regional Development Fund, three EU FP7 and three H2020 projects. Currently he is a project coordinator of Croatian partners of H2020 project CROSSBOW, project coordinator of IRI project KONPRO 2 and a project leader of the HRZZ research project WINDLIPS and one Croatia-China bilateral project WIND ASP.

At the University of Zagreb, Prof. Kuzle has established the research laboratory Smart Grids Laboratory, which enables practical research in the field of Smart Grids (virtual storage plant, virtual power plant, different generation mixes of renewable energy sources, demand response, islanding and parallel operation, ac/dc microgrids, etc.). His scientific interests include problems in dynamics and control of electrical power systems, maintenance of electrical equipment, as well as smart grids and integration of renewable energy sources.

He serves on 8 journal editorial boards and acts as a technical reviewer for several international journals. Igor Kuzle published 4 books and more than 400 journal and conference papers, including technical studies and reports for utilities and private companies (project manager for more than 80 technical projects). He has chaired 6 international conferences (IEEE SGSM 2022, CGEE 2021, CGEE 2020, IET Medpower 2018, IEEE Energycon 2014, IEEE Eurocon 2013) and the national 11th HRO CIGRÉ Session 2013 and chaired Local Organizing Committee conferences: PAC World 2014 and European Energy Market 2011. He participated in more than 60 conferences International Scientific /Technical or Steering Committees and gave more than 20 keynote lectures.

Since 2012, he has been a member of the Expert Advisory Committee of the Ministry of Environmental and Nature Protection in assessing the environmental impact of RES and a member of the Coordination Group of Croatian Transmission System Operators for the Connection of Renewable Energy Sources. He is a member of the technical commission for awarding the Croatian quality mark Croatian Chamber of the Ministry of Economy and a member of Croatian Chamber of Electrical Engineers and since 1994 a member of Licensed Engineer.

He is a very active member of IEEE, the world's largest engineering association (with more than 400,000 members), where he has held various positions. In 2015-2016 he was IEEE Region 8 Vice Chair for technical activities, IEEE Croatia Section Chair (2009-2012), and from 2021 he is representative of all IEEE Power and Energy Chapters of Europe, Africa and the Middle East. Prof. Kuzle is an associate member of the Croatian Academy of Engineering (HATZ) and a member of the professional association CIGRE (2009-2012 member of the Croatian National Committee CIGRE Executive Board). Since 2019 he is a member of the Steering Committee of Croatian Maintenance Society.

Zahvala

Želio bih se zahvaliti mentoru i profesoru Igoru Kuzli što me zaposlio na projektu WINDLIPS te mi na taj način omogućio upis doktorskog studija, na prijedlogu područja istraživanja i na pomoći tijekom same realizacije disertacije.

Hvala i Ninoslavu Holjevcu na koautorstvu znanstvenih članaka koji čine temelj ove disertacije.

„Tražite najprije Božje Kraljevstvo i pravdu njegovu, i sve drugo bit će vam nadodano“

Mt 6, 33

Sažetak

Utjecaj visokog udjela energetske pretvarača na dinamiku elektroenergetskog sustava relativno je neistraženo područje. Povećani udio obnovljivih izvora energije priključenih preko pretvarača smanjuje konstantu tromosti elektroenergetskog sustava. Istraživanje je usmjereno prema vrednovanju utjecaja povećane penetracije energetske pretvarača na dinamičko vladanje frekvencije elektroenergetskog sustava.

Osnovni cilj ovog istraživanja je kvantificiranje utjecaja povećane integracije fotonaponskih elektrana (FNE) na stabilnost frekvencije sustava te razvoj algoritma za njihovo sudjelovanje u regulaciji frekvencije. Istraživanje je posebice usmjereno na glavnu značajku regulacije frekvencije (maksimalno odstupanje frekvencije od nazivne vrijednosti) te metodu određivanja potrebnog iznosa rezerve snage s kojom FNE trebaju sudjelovati u regulaciji frekvencije.

Da bi se odredila dostatna rezerva snage FNE-a za sudjelovanje u regulaciji frekvencije elektroenergetskog sustava, u disertaciji je razvijena aproksimacijska metoda frekvencijskog odziva elektroenergetskog sustava temeljena na paraboličnoj funkciji. Nakon određivanja potrebnog iznosa rezerve snage, razvijen je upravljački algoritam za sudjelovanje fotonaponske elektrane u regulaciji frekvencije elektroenergetskog sustava u slučaju lančanog poremećaja. Navedeni algoritam upravljanja omogućuje FNE višekratno korištenje rezerve snage u kratkom vremenskom intervalu što u slučaju uzastopnih poremećaja čini FNE sposobnom pružiti doprinos tijekom svakog pojedinog poremećaja. Ovime se značajno povećava stabilnost frekvencije elektroenergetskog sustava. Cjelokupni model razvijen u disertaciji mogao bi se koristiti kao osnova u simulatorima frekvencije i u planiranju voznog reda elektrana u velikim elektroenergetskim sustavima s visokim udjelom energetske pretvarača.

Ključne riječi: fotonaponske elektrane, regulacija frekvencije, rezerva snage, aproksimacija frekvencijskog odziva, lančani poremećaj, algoritam upravljanja

Extended abstract

Assessment of photovoltaic power plants power reserve in power system frequency control

The electric power system (EPS) is undergoing a major paradigm shift and the current challenge is to make the electric power sector sustainable (low-carbon or carbon free) with the inclusion of all the new and market-based technologies. These devices include renewable and conventional energy generation, loads and energy storage. The transition from a conventional EPS based on synchronous generators with high inertia constants to an EPS based on inverter-connected technology, primarily renewable energy sources (RES) which have little or no inertia cannot be carried out just by gradually replacing conventional power plants with RES. The increased integration of inverter-based devices significantly changes the characteristics of conventional bulk EPS leading to a reduction of synchronous inertia which causes faster frequency dynamics. As a consequence, the system frequency stability decreases as the RES share in the system increases if RES are not enabled to participate in the frequency regulation.

The main goal of this research is to quantify the impact of the increased photovoltaic (PV) power plants integration on the frequency stability of the EPS and to develop a control algorithm for their participation in the frequency regulation. Currently, the frequency regulation is mainly performed by synchronous generators, but in the future when the share of synchronous generators in the system decreases, RES is expected to provide a significant contribution to the system frequency regulation. The research presents a method to quantify the impact of PV power plants on the key characteristics of the frequency regulation (frequency nadir i.e. minimum frequency value) and a method for the determination of the required amount of PV power plants power reserve for the participation in the frequency regulation. In addition, a control algorithm for PV power plant participation in system frequency regulation for the case of cascade disturbance event is developed.

The thesis consists of seven chapters. Chapter one serves as an introduction and general overview of the conducted research. It shows that solar energy has been the fastest-growing RES in the world in the last three years. The continuation of such rapid growth in installed PV capacity and the increase in the share of PV systems could negatively impact the power system operation and potentially threaten the system stability. The reasons for concern are: a lack of rotational mass in PV plants, which causes minimal contribution to the overall system inertia,

and, the operation in the Maximum Power Point Tracking mode means there is no power reserve available for frequency control.

Chapter two provides a description of system frequency regulation. Frequency regulation is most often performed through three phases: primary, secondary, and tertiary regulation. The primary frequency regulation involves the action of turbine speed regulators after the frequency deviation of the nominal or setpoint value due to the imbalance between production and consumption in the synchronously connected network. Secondary frequency regulation is provided by power plants that have a contract with the transmission system operator to provide secondary control power. The main function of secondary regulation is releasing the primary regulation reserve and restoring the frequency at the nominal value. The primary goal of tertiary regulation is to release the necessary reserve of secondary frequency regulation. In this chapter, detailed mathematical models of primary and secondary frequency regulation are given.

In chapter three, the modelling of individual parts of the PV system is presented. The PV system consists of a series of paralleled PV panels or strings, and it is then interfaced through DC-DC converters and/or DC-AC inverters with the grid. The basic unit of a PV panel is a PV cell. A PV cell can be represented as a current source and is commonly modelled using the so-called single diode model. Such a PV cell model shows a non-linear voltage-current characteristic which results in the existence of only one operating point (U, I) at which the PV panel produces maximum power. The basic functions of the DC-DC converter are increasing or decreasing the output voltage of the PV system and optimizing power production even under changing environmental conditions. For the DC-DC power converters, classical topologies include the buck, boost, and buck-boost converters. Given that the boost converter is the most often the type of converter utilized in PV systems, this chapter provides the modelling and control only of this type of converter. The main objective of the grid-side DC/AC converter is to deliver active power to the grid with satisfactory power quality and to control active and reactive power injection. A full-bridge three-phase inverter is modelled in detail. At the end of the chapter, a block diagram of the complete PV system is given, and active power response simulations were performed.

In the fourth chapter, two methods of the system frequency response approximation were developed. One method allows for real-time system frequency response approximation while the other method can be performed offline. The goal of the first method is to approximate the frequency nadir value and that method is performed offline. The method is based on a parabolic approximation of the system frequency response and enables the derivation of an

analytical function of the frequency nadir for the multi-machine power system with full-order turbine models. The approximation focuses on preserving the values of the frequency nadir as this is considered the key indicator of the frequency response quality. The novelty of the method is that it can be applied to the multi-machine power system model consisting of various types of generating units, and its utilization of the full-order turbine models. Additionally, the method is not computationally demanding and shows a high degree of accuracy compared to the values obtained from the conducted power system simulations.

The goal of the second method is to estimate the moment of maximum power in the system in real time. The real-time approximation of the system frequency response allows the estimation of the frequency response curve in advance, which can be useful for certain PV control algorithms. For that purpose, an exponentially damped sinusoid approximation of the system frequency response was developed. To show the effectiveness and accuracy of the proposed approximation, the frequency response of two actual disturbance events was approximated by the developed function. One real event was the disturbance that occurred in Continental Europe in 2021 and the second real event was in Australia in 2018. In both cases, the approximation showed great accuracy and efficiency. Additionally, the method also proved to be very successful in the case when subjected to unfiltered frequency curves.

The fifth chapter presents the central question of the thesis, i.e., the determination of the power reserve of the photovoltaic power plant in power system frequency control. A method for determining the required minimum de-loaded margin was developed and tested in a case study which observed a small power system consisting of several power plants. The analyzed power system model includes hydro, thermal, and photovoltaic generation technologies. The amount of PV power reserve required to preserve the frequency stability is closely correlated with the frequency nadir. The fundamental idea was to establish a mathematical relationship between the frequency nadir and the system parameters, such as system inertia, load disturbance, PV power reserve, etc. The determination of the de-loaded margin of the PV system is carefully aimed to maximize the contribution to the system frequency control with the minimally possible de-loaded margin. In other words, the problem is examined from the system operator's standpoint meaning that the required amount of reserves is primarily related to the frequency response and the stability of the system by finding the point at which the tradeoff between the ability to provide the reserve and efficient energy production is the most optimum.

Considering the fact that PV system participation in the system frequency control can improve frequency stability, the paramount question was what amount of power reserve should

the PV systems maintain. Two scenarios are investigated; one in which the hydropower plant is replaced with the PV power plant and the other in which the thermal power plant is replaced with the PV power plant. The nominal power of the PV power plant was 200 MW in both cases.

In the first scenario, the results showed that in the case of a 20% inertia reduction and a load disturbance of 0.05 pu, the maximum required PV power reserve does not exceed 3% of the nominal power. The required minimum amount of PV power reserve was also determined in the case of 20% decreased system inertia for the different load disturbances. It was shown that the required amount of PV power reserve increases as the magnitude of disturbance increases. However, the maximum amount of required PV power reserve is still below 10% of the nominal power even in the case where the total load was changed by 10%.

In the second scenario, in the case of observing the thermal power plant displacement, the results for the required minimum PV power reserve are higher because the initial response of the thermal power plants is superior to the hydropower plants. However, the thermal power plants are usually not turned on and off during a day in which they need to provide power since their start-up and shut-down times and the operating costs are high.

In addition, the RoCoF analysis is performed regarding the obtained values of the PV power reserve. The RoCoF is observed and calculated at $t=100$ ms although, in general, the analysis could be performed for any moment. Owing to the fast PV power plant dynamic response, it is shown that the RoCoF can be improved. The analysis shows that a droop value of 4% is sufficient to achieve the maximum reduction of RoCoF at $t=100$ ms and that an improvement in RoCoF reduction is possible given the obtained amounts of PV power reserve, but the RoCoF still remains higher than it was before a PV power plant connection to the system.

In chapter six, a PV system control algorithm that enables rapid recovery of PV power reserve was developed. The novelty of the developed algorithm is that it makes the PV system capable of providing support to the cascading load disturbance events. The recovery process is done in less than 10 seconds and does not cause the occurrence of the secondary frequency dip by activating the recovery process at the exact moment when temporary excess of power in the system occurs. One of the steps of the algorithm is to estimate the moment of occurrence of maximum power in the system, and for this purpose, the frequency response approximation in real-time developed in the fourth chapter is used. The control algorithm has two modes: Mode A has the function to enable PV participation in frequency control and Mode B has the function to perform the PV system power reserve recovery process.

To recover the power reserve provision capability, the PV system must reduce the injection of its power to the grid, as was mentioned previously. The reduction of power should be smooth and gradual to avoid the sudden and large changes in PV power which could lead to a secondary frequency dip. To realize that function, a dynamic change of the droop constant was introduced. Finally, coordination and accurate triggering of both functions included in Mode A and Mode B is a crucial step. The trigger for Mode A is reaching of measured ROCOF values the set permissible threshold while the trigger for Mode B is reaching of the measured frequency the calculated value of frequency at the moment of occurrence of maximum power in the system.

The proposed control algorithm was tested on a two-area multi-machine power system model on several demonstrative case studies. The main results showed that with the proposed method, the PV system becomes ready to provide support for new potential load disturbances shortly after (in 5 to 10 seconds) the frequency reaches the nadir. This presents a significant improvement compared to the conventional methods which usually take more than 5 minutes to enable the PV system to provide additional support to the grid. The importance of the ability to quickly provide additional support to the system was demonstrated in the simulation of cascade failure of two generators. With the proposed method, the frequency nadir was improved for as much as 0.13 Hz which significantly improves the overall system stability.

The seventh chapter brings an overall conclusion. It was concluded that with the determination of the required power reserve of the photovoltaic power plant and along with the developed control algorithm, frequency stability in conditions of high integration of renewable energy sources in the system has been significantly improved.

In summary, the scientific contributions resulting from this research are:

1. A parabolic approximation of the system frequency response;
2. The method for the determination of the required minimum photovoltaic power plant power reserve for participation in power system frequency control;
3. The control algorithm for photovoltaic power plant participation in power system frequency control in the case of cascaded disturbance events.

Keywords: Photovoltaic Power Plants, Frequency Regulation, Power Reserve, Frequency Response Approximation, Cascade Disturbance, Control Algorithm

Sadržaj

1	UVOD	1
1.1	CILJ I HIPOTEZE ISTRAŽIVANJA	1
1.2	MOTIVACIJA	2
2	REGULACIJA FREKVENCije	6
2.1	PRIMARNA REGULACIJA FREKVENCije	7
2.2	SEKUNDARNA REGULACIJA FREKVENCije	9
2.3	TERCIJARNA REGULACIJA FREKVENCije	12
3	MODELIRANJE FOTONAPONSKE ELEKTRANE	13
3.1	FOTONAPONSKI MODUL	14
3.2	DC/DC PRETVARAČ	17
3.2.1	<i>Metode za praćenje točke maksimalne snage – MPPT metode</i>	20
3.3	DC/AC IZMJENJIVAČ	22
4	APROKSIMACIJA FREKVENCIJSKOG ODZIVA EES-A	29
4.1	APROKSIMACIJA FREKVENCIJSKOG ODZIVA IZVAN STVARNOG VREMENA	32
4.1.1	<i>Pregled dosadašnjih istraživanja</i>	32
4.1.2	<i>Aproksimacija frekvencijskog odziva temeljena na paraboličnoj funkciji</i>	33
4.1.3	<i>Algoritam za odabir triju točki kvadratne funkcije</i>	37
4.2	APROKSIMACIJA FREKVENCIJSKOG ODZIVA U STVARNOM VREMENU	42
4.2.1	<i>Pregled dosadašnjih istraživanja</i>	42
4.2.2	<i>Aproksimacija frekvencijskog odziva temeljena na eksponencijalno prigušenoj sinusoidi</i>	43
5	ODREĐIVANJE REZERVE SNAGE FOTONAPONSKIH ELEKTRANA	51
5.1	PREGLED DOSADAŠNJIH ISTRAŽIVANJA	53
5.2	ODREĐIVANJE REZERVE SNAGE FOTONAPONSKE ELEKTRANE ZA POTREBE REGULACIJE FREKVENCije	55
5.2.1	<i>Zamjena hidroelektrane s fotonaponskom elektranom</i>	58
5.2.2	<i>Zamjena termoelektrane s fotonaponskom elektranom</i>	64
5.3	UTJECAJ REZERVE SNAGE FOTONAPONSKE ELEKTRANE NA ROCOF	68
6	UPRAVLJAČKI ALGORITAM ZA SUDJELOVANJE FOTONAPONSKE ELEKTRANE U REGULACIJI FREKVENCije U SLUČAJU LANČANOG POREMEĆAJA	71
6.1	PREGLED DOSADAŠNJIH ISTRAŽIVANJA	71
6.2	RAZVOJ UPRAVLJAČKOG ALGORITMA	73
6.2.1	<i>Model upravljačkog algoritma u MATLAB/Simulinku</i>	79
6.3	REZULTATI	85
6.4	RASPRAVA I ANALIZA OSJETLJIVOSTI	90

7 ZAKLJUČAK.....	97
LITERATURA	99
POPIS SLIKA.....	108
ŽIVOTOPIS.....	111
BIOGRAPHY	114

1 UVOD

1.1 CILJ I HIPOTEZE ISTRAŽIVANJA

Istraživanje provedeno u disertaciji usmjereno je na analizu elektroenergetskih sustava s visokim udjelom fotonaponskih elektrana s naglaskom na izazove i poteškoće koji se pojavljuju i utječu na pravilno i zadovoljavajuće funkcioniranje sustava regulacije frekvencije. Shodno tome, cilj istraživanja je matematički formulirati utjecaj fotonaponskih elektrana na parametre kvalitete regulacije frekvencije (vrijednost maksimalnog odstupanja frekvencije i brzina promjene frekvencije). To će omogućiti određivanje potrebne rezerve snage fotonaponskih elektrana s obzirom na različite pogonske uvjete elektroenergetskog sustava tijekom dana. Dodatno, uz određivanje potrebne rezerve snage, razvijen je upravljački algoritam za omogućavanje optimalnog korištenja rezerve snage tijekom sudjelovanja fotonaponske elektrane u regulaciji frekvencije sustava.

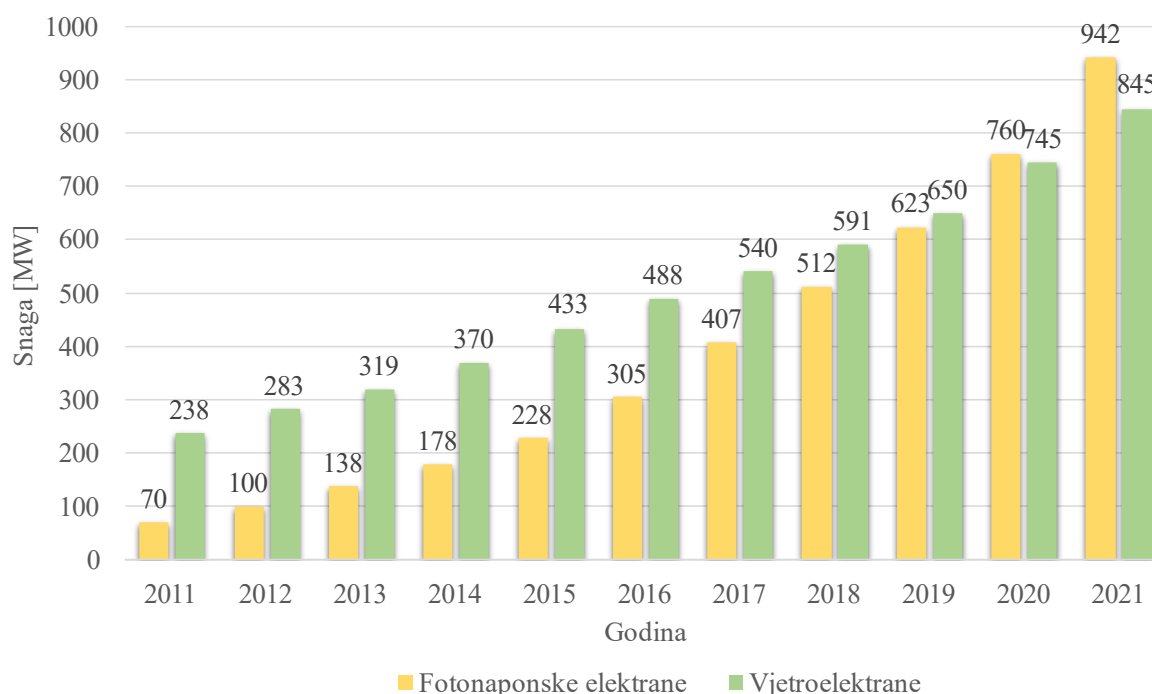
Hipoteze istraživanja pretpostavljaju da razvijena metoda za kvantificiranje utjecaja fotonaponskih elektrana na vrijednost maksimalnog odstupanja frekvencije i određivanje dostatne rezerve snage fotonaponske elektrane može poboljšati regulaciju frekvencije u uvjetima visoke penetracije fotonaponskih elektrana. Osim toga, algoritam upravljanja fotonaponskom elektranom u regulaciji frekvencije može povećati pouzdanost i stabilnost elektroenergetskog sustava u slučaju lančanog poremećaja.

U nastavku su sažeto navedeni znanstveni doprinosi proizašli iz ovog istraživanja te koji su izravno objavljeni kroz dva rada u časopisima:

1. Aproksimacijska metoda frekvencijskog odziva elektroenergetskog sustava temeljena na paraboličnoj funkciji [1], [2];
2. Metoda određivanja dostatne snage rezerve fotonaponske elektrane za sudjelovanje u regulaciji frekvencije elektroenergetskog sustava [1];
3. Upravljački algoritam za sudjelovanje fotonaponske elektrane u regulaciji frekvencije elektroenergetskog sustava u slučaju lančanog poremećaja [2].

1.2 MOTIVACIJA

Nakon što su se mnoge države obvezale povećati udio obnovljivih izvora energije u proizvodnji električne energije, elektroenergetski sustav (EES) počeo se suočavati s velikim promjenama paradigme. Može se reći da se EES trenutno nalazi u tranziciji od konvencionalnog EES-a koji je temeljen na sinkronim generatorima prema EES-u u kojem dominiraju obnovljivi izvori energije (OIE) temeljeni na izmjenjivačima. Da se EES zaista suočava s velikim porastom integracije OIE-a pokazuje globalni izvještaj o OIE-u (engl. *Renewables Global Status Report*) za 2021. godinu [3]. Prema navedenom izvještaju, od ukupno instaliranih novih proizvodnih jedinica u svijetu tijekom 2021. godine, 84% su činili OIE pri čemu su fotonaponske elektrane (FNE) i vjetroelektrane (VE) dva najbrže rastuća tipa OIE-a. Osim toga, 2021. godina će biti zabilježena kao godina u kojoj je prvi put 10% proizvedene električne energije u svijetu dobiveno iz FNE-a i VE-a. Ukupni instalirani kapacitet FNE-a i VE-a na kraju 2021. godine iznosio je 935 GW, odnosno 845 GW. Promatrajući samo 2021. godinu, FNE su prednjačile u instaliranom novom kapacitetu s dodanih 182 GW. Slika 1.1 prikazuje trend porasta integracije FNE i VE u posljednjih 10 godina.



Slika 1.1: Integracija fotonaponskih elektrana i vjetroelektrana u posljednjih 10 godina

Gore prikazani podaci pokazuju kako OIE poprimaju sve važniju ulogu u EES-u, pogotovo FNE koje su od 2020. godine postale vrsta OIE s najvećim instaliranim kapacitetom prestigavši VE. U nekoliko zemalja, FNE su dostigle razinu od približno 15% udjela u ukupnoj godišnjoj proizvedenoj električnoj energiji. Australija je po tom pitanju vodeća u svijetu s iznosom od 15,5% udjela FNE-a u godišnjoj proizvedenoj električnoj energiji, a slijede Španjolska (14,2%) i Grčka (13,6%) [3]. Ovakav trend porasta integracije FNE-a, a za koji se očekuje da će se nastaviti u istoj ili većoj mjeri i narednih desetak godina s ciljem potpunog smanjenja emisije CO₂, potaknuo je mnoga znanstvena istraživanja širom svijeta o utjecaju visoke integracije FNE-a na sigurnost i stabilnost EES-a [4]–[7].

Visoke razine penetracije FNE-a unose određene probleme u održavanju i frekvencijske i naponske stabilnosti. Frekvencijska stabilnost postaje narušena uglavnom zbog smanjenja konstante tromosti sustava, dok naponska stabilnost postaje ugrožena u trenucima visoke proizvodnje FNE-a i malog opterećenja sustava. U sklopu ovog istraživanja detaljno je analizirana samo frekvencijska stabilnost. Stabilnost frekvencije EES-a uobičajeno se održava kroz tri faze, odnosno primarnu, sekundarnu i tercijarnu regulaciju frekvencije [8]. Fokus istraživanja je na primarnoj regulaciji frekvencije u uvjetima visoke integracije FNE-a te na mogućnostima FNE-a u pružanju podrške primarnoj regulaciji frekvencije tijekom poremećaja u sustavu. Ovo posljednje je iznimno važno za stabilnost EES-a jer trenutne odredbe mrežnih pravila EES-ova uglavnom ne zahtijevaju od FNE-a sudjelovanje u regulaciji frekvencije što znači da teret održavanja stabilne frekvencije pada na preostale sinkrone jedinice čiji broj u sustavu može biti značajno smanjen u situacijama visoke integracije FNE-a. Važno je napomenuti da kada je riječ o sudjelovanju FNE-a u regulaciji frekvencije sustava, najčešće se, u znanstvenim radovima, misli na vrstu regulacije frekvencije pri različitim pogonskim događajima (ispad generatora, porast potrošnje) uslijed kojih frekvencija počinje padati ispod nazivne vrijednosti te je potrebno povećati proizvodnju snage. Regulaciji frekvencije, u slučaju porasta frekvencije, FNE mogu doprinijeti jednostavno smanjivanjem trenutne proizvodnje. Negativne posljedice prevelike proizvodnje iz OIE i smanjenog broja sinkronih generatora u pogonu iskusio je EES Južne Australije 2016. godine kad je došlo do raspada sustava [9]. Neposredno prije raspada sustava, proizvodnja iz FNE-a i VE-a pokrivala je 50% opterećenja, dok je proizvodnja iz sinkronih generatora pokrivala samo 17% opterećenja. Poremećaj koji se dogodio uzrokovao je veoma brz pad frekvencije u iznosu od 4 Hz u sekundi uz početnu brzinu promjene frekvencije (engl. ROCOF - *rate of change of frequency*) u iznosu od čak 6,25 Hz/s. Broj sinkronih generatora u pogonu u tom trenutku bio je nedostatan za zaustavljanje pada frekvencije u ovakvim uvjetima te je posljedično došlo do raspada sustava.

Nekoliko je razloga zbog kojih povećana integracija FNE-a ugrožava održavanje stabilnosti frekvencije u sustavu [10]:

- Zamjenjuju u pogonu konvencionalne sinkrone generatore
- Nemaju rotirajućih dijelova
- Uobičajeno rade s ciljem maksimalne proizvodnje snage (engl. MPPT – *Maximum Power Point Tracking*)
- Spojene su na mrežu preko pretvarača

Sinkroni generatori imaju važnu ulogu u regulaciji frekvencije jer posjeduju rotirajuće dijelove koji imaju kinetičku energiju. U slučaju pada frekvencije generatori će injektirati radnu snagu u mrežu koja dolazi iz kinetičke energije agregata, dok u slučaju porasta frekvencije, generatori će apsorbirati radnu snagu iz mreže što će se očitovati povećanjem kinetičke energije tj. brzine vrtnje agregata. To svojstvo injektiranja ili apsorpiranja snage neposredno nakon poremećaja naziva se inercijski odziv koji je ujedno i prva linija obrane sustava od promjene frekvencije. Dakle, s jedne strane, integracija FNE-a potiskuje konvencionalne sinkrone generatore iz pogona te dolazi do smanjenja rotirajuće kinetičke energije, a s druge strane, FNE nemaju rotirajućih dijelova te tako sami ne doprinose količini rotirajuće kinetičke energije u sustavu što sveukupno negativno utječe na stabilnost frekvencije.

Parametar koji se češće koristi za opisivanje kvalitete inercijskog odziva je konstanta tromosti sustava, a povezana je s kinetičkom energijom i nazivnom prividnom snagom generatora [11] preko izraza (1.1):

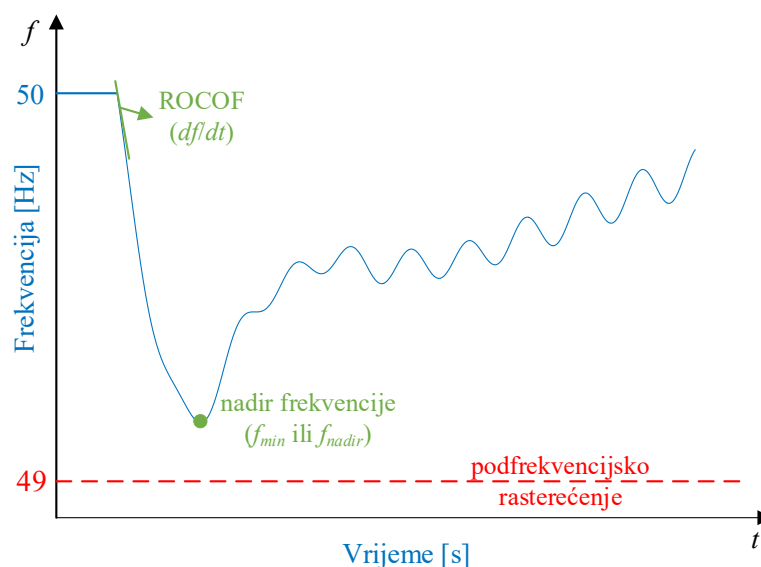
$$H = \frac{E_{kin}}{S_n} \quad (1.1)$$

pri čemu su: E_{kin} [MJ ili MWs] kinetička energija generatora, S_n [MVA] nazivna prividna snaga generatora te H [s] konstanta tromosti generatora. Stariji generatori koji se nalaze u termoelektranama uobičajeno imaju vrijednost konstante tromosti od 6 s do 8 s, dok noviji generatori u termoelektranama imaju nešto niže vrijednosti konstante tromosti, prosječno oko 5 s. Generatori u hidroelektranama imaju niže vrijednosti konstante tromosti od generatora u termoelektranama. Uobičajene vrijednosti konstante tromosti generatora u hidroelektranama su od 2 s do 4 s [12]. Konstanta tromosti važan je parametar za sustav jer ima izravan utjecaj na ROCOF koji je definiran prema (1.2) [13]:

$$\text{ROCOF}_{t=0+}^{max} = \frac{df}{dt} = \frac{P_k}{2 \sum_{i=1, i \neq k}^N H_i \cdot S_i} f_n \quad (1.2)$$

pri čemu su: f_n [Hz] nazivna frekvencija, P_k [MW] veličina poremećaja koja može predstavljati gubitak tereta ili proizvodnje, k predstavlja broj generatora u slučaju gubitka, H_i [s] i S_i [MVA] su konstanta tromosti i prividna snaga sinkrone jedinice i . ROCOF je jedan od najvažnijih pokazatelja kvalitete frekvencijskog odziva EES-a te njegove vrijednosti ne smiju biti previsoke (npr. veće od 2 Hz/s) jer mogu uzrokovati probleme u sustavu. Prije svega, mogu prouzročiti nepotrebno aktiviranje releja za zaštitu od otočnog pogona te u tom slučaju isključivanje elektrane s mreže dovodi do još većih problema. Osim toga, razmatrajući samu definiciju ROCOF-a (brzina promjene frekvencije tj. nagib pada/rasta frekvencije) i uzimajući u obzir da odstupanje frekvencije od nazivne vrijednosti ne smije biti veće od 1 Hz (u hrvatskom EES-u prvi stupanj podfrekvencijskog rasterećenja aktivira se na 49 Hz [14]) razumljivo je zašto je ROCOF potrebno održavati na što nižim vrijednostima.

Uz ROCOF, dodatni faktor kvalitete frekvencijskog odziva je i maksimalno odstupanje frekvencije od nazivne vrijednosti tzv. nadir frekvencije (engl. *frequency nadir*), slika 1.2. Iznimno je važno zaustaviti pad frekvencije iznad vrijednosti na kojima se aktivira podfrekvencijsko rasterećenje, odnosno isključivanje dijela potrošača. U kojoj će se točki zaustaviti pad frekvencije, odnosno kolika će biti vrijednost nadira frekvencije ovisi o brojnim parametrima EES-a. Sve elektrane, kroz inercijski odziv i primarnu regulaciju frekvencije, zadužene su za sprječavanje pada frekvencije ispod najniže dopuštene vrijednosti nadira frekvencije. Međutim, FNE ne sudjeluju u primarnoj regulaciji frekvencije jer rade u MPPT načinu te stoga nemaju rezervu snage koju bi mogli injektirati u mrežu tijekom pada frekvencije. Iz tog razloga, velika integracija FNE-a, osim na već spomenuti ROCOF, negativno utječe i na održavanje zadovoljavajuće vrijednosti nadira frekvencije.

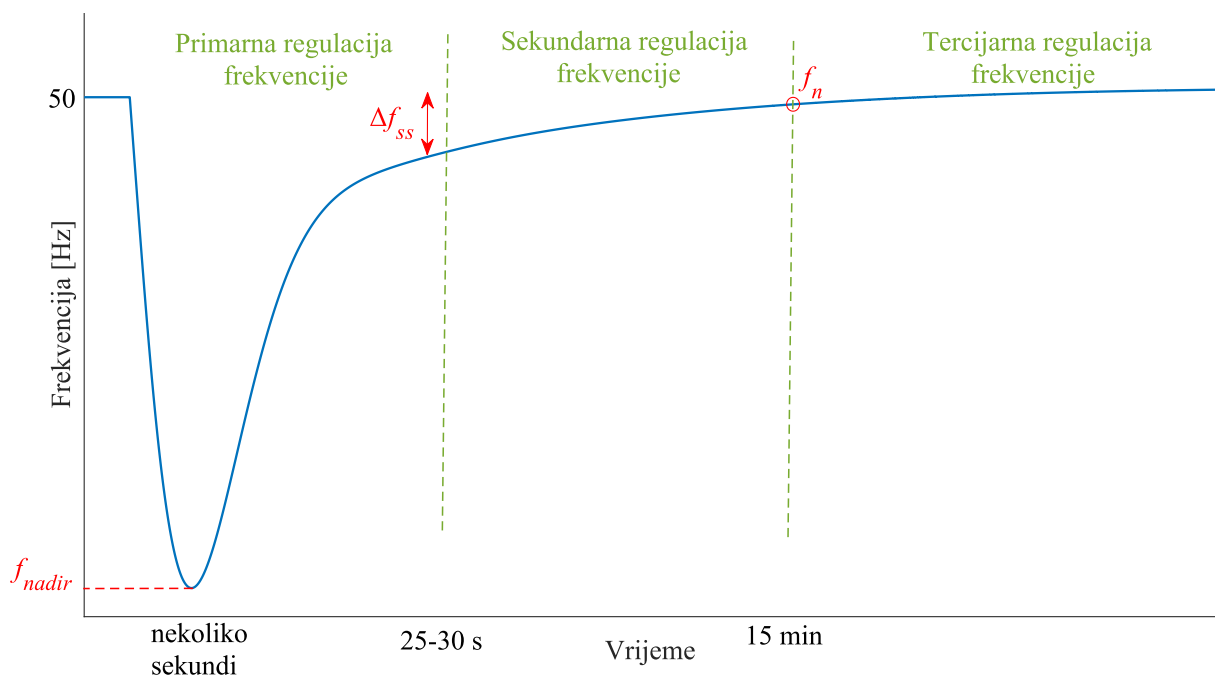


Slika 1.2: Tipični frekvencijski odziv EES-a u slučaju porasta potrošnje ili ispada proizvodnje

Kako bi EES-evi koji već imaju velik udio instaliranih FNE-a u pogonu mogli nastaviti s daljnjom integracijom, bit će neophodno omogućiti FNE-ima sudjelovanje u regulaciji frekvencije kako bi faktori kvalitete frekvencijskog odziva (ROCOF i nadir frekvencije) ostali u zadovoljavajućim granicama. Postoje već brojni radovi u literaturi koji se bave tematikom sudjelovanja FNE-a u regulaciji frekvencije [15]–[19]. Ipak, jedna od najzastupljenijih ideja za omogućavanje FNE-ima sudjelovanje u regulaciji frekvencije temelji se na radu FNE u točki ispod maksimalne snage kako bi se osigurala dodatna snaga koja bi se mogla injektirati u mrežu tijekom pada frekvencije [15]. Ključno pitanje koje se ovdje nameće je koliko iznosi potrebna rezerva snage. Što je veća rezerva, to je veći doprinos FNE regulaciji frekvencije, ali isto tako, veće je smanjenje njene snage proizvodnje tj. manji profit za vlasnike elektrana zbog manje proizvedene energije. Upravo to pitanje potrebnog iznosa rezerve snage jedno je od središnjih dijelova ove disertacije. Kako bi se odredio dostatan iznos rezerve snage, provedena je analiza utjecaja FNE na nadir frekvencije. U svrhu toga, dio istraživanja u ovoj disertaciji bavi se dobivanjem analitičkog izraza za nadir frekvencije u ovisnosti o željenim parametrima sustava. Nakon što se odredi dostatan iznos rezerve snage, u završnom dijelu ovog istraživanja razvijen je algoritam upravljanja FNE-om u slučaju lančanih poremećaja kako bi se rezerva snage mogla višestruko koristiti u kratkom vremenskom intervalu što uvelike poboljšava stabilnost frekvencije, odnosno cjelokupnog EES-a.

2 REGULACIJA FREKVENCIJE

Jedna od glavnih karakteristika svakog EES-a je potreba za održavanjem ravnoteže između proizvodnje i potrošnje radne snage. S obzirom da se potrošnja vremenski stalno mijenja, potrebno je u svakom trenutku prilagođavati proizvodnju radne snage kako bi se održavala ravnoteža. Posljedica neravnoteže proizvodnje i potrošnje radne snage je ubrzavanje ili usporavanje sustava, odnosno promjena frekvencije. S obzirom da je frekvencija jedinstvena za cijeli sustav, promjena proizvodnje ili potrošnje radne snage bilo gdje u sustavu uzrokuje promjenu frekvencije u cijelom sustavu. Općenito, povećanje proizvodnje ili gubitak potrošnje uzrokuje porast frekvencije iznad nazivne vrijednosti, dok gubitak proizvodnje ili povećanje potrošnje uzrokuje pad frekvencije ispod nazivne vrijednosti. Održavanje konstantne frekvencije u EES-u (50 Hz ili 60 Hz) jako je važno zbog potrošača koji su dimenzionirani za tu određenu frekvenciju, električnih satova, raspodjele opterećenja na pojedine agregate [20] itd. Zbog toga se u današnjim EES-ima provodi regulacija frekvencije koja se najčešće izvodi kroz tri faze: primarna, sekundarna i tercijarna regulacija [8]. Vrijeme i područje djelovanja sve tri faze regulacije frekvencije ilustrativno je prikazano na slici 2.1.



Slika 2.1: Prikaz djelovanja faza regulacije frekvencije

2.1 PRIMARNA REGULACIJA FREKVENCIJJE

Cilj primarne regulacije je uravnotežiti proizvodnju i potrošnju radne snage te stabilizirati frekvenciju na nekoj vrijednosti različitoj od nazivne. Primarnu regulaciju frekvencije obavljaju turbinski regulatori generatora koji povećavaju, odnosno smanjuju dotok radnog medija kroz turbinu čime se povećava, odnosno smanjuje izlazna snage elektrane. U slučaju parne ili hidroturbine, mehanička snaga se kontrolira otvaranjem ili zatvaranjem ventila koji reguliraju ulaz pare ili vode u turbinu. Općenito, za oko 30 sekundi, svaka proizvodna jedinica trebala bi moći proizvesti potrebnu dodatnu snagu i zatim je zadržati najmanje 15 minuta (vrijeme ovisi o zahtjevima operatora prijenosnog sustava).

Da bi generator mogao proizvesti zahtijevanu snagu tijekom primarne regulacije frekvencije, podrazumijeva se da ne radi na nazivnoj snazi tj. da postoji određeni iznos rotirajuće rezerve. Iznos proizvedene dodatne snage pojedinog generatora tijekom promjene frekvencije ovisi o parametru R [%] koji se naziva statičnost i računa prema (2.1) [21]:

$$R = \frac{\frac{\Delta f}{f_n}}{\frac{\Delta P}{P_n}} \cdot 100\% \quad (2.1)$$

pri čemu su: Δf [Hz] odstupanje frekvencije od nazivne vrijednosti, f_n [Hz] nazivna vrijednost, ΔP [MW] promjena snage generatora i P_n [MW] nazivna snaga generatora. Ako se pretpostavi da je $\Delta P = P_n$ (promjena snage od 0 do nazivne vrijednosti), onda se iz (2.1) vidi da je iznos statičnosti R jednak postotnoj promjeni frekvencije. Drugim riječima, generator koji ima statičnost 5% će za promjenu frekvencije od 5% promijeniti izlaznu snagu za 100%. Treba napomenuti da se ovakva vrsta regulatora naziva statički regulator. Za razliku od statičkog regulatora koji ne vraća frekvenciju na nazivnu vrijednost, astatički regulator podešava turbinski ventil u onaj položaj s kojim se frekvencija vraća na nazivnu vrijednost. Međutim, astatički regulator koristi se samo kada generator radi u otočnom pogonu ili u višestrojnom EES-u u kojem samo jedan generator regulira frekvenciju. Astatički regulatori ne mogu se koristiti na više generatora u jednom sustavu jer bi svaki od njih nastojao da postavi frekvenciju prema svojoj postavljenoj vrijednosti. Zbog toga se uglavnom koriste statički regulatori u EES-ima jer je sustavima najčešće potrebno nekoliko generatora da održavaju frekvenciju stabilnom.

Dinamika frekvencije EES-a u kojem generatori sudjeluju u primarnoj regulaciji frekvencije može se opisati jednažbom njihanja zapisanoj u Laplace domeni prema (2.2) - (2.5) [22], [23]:

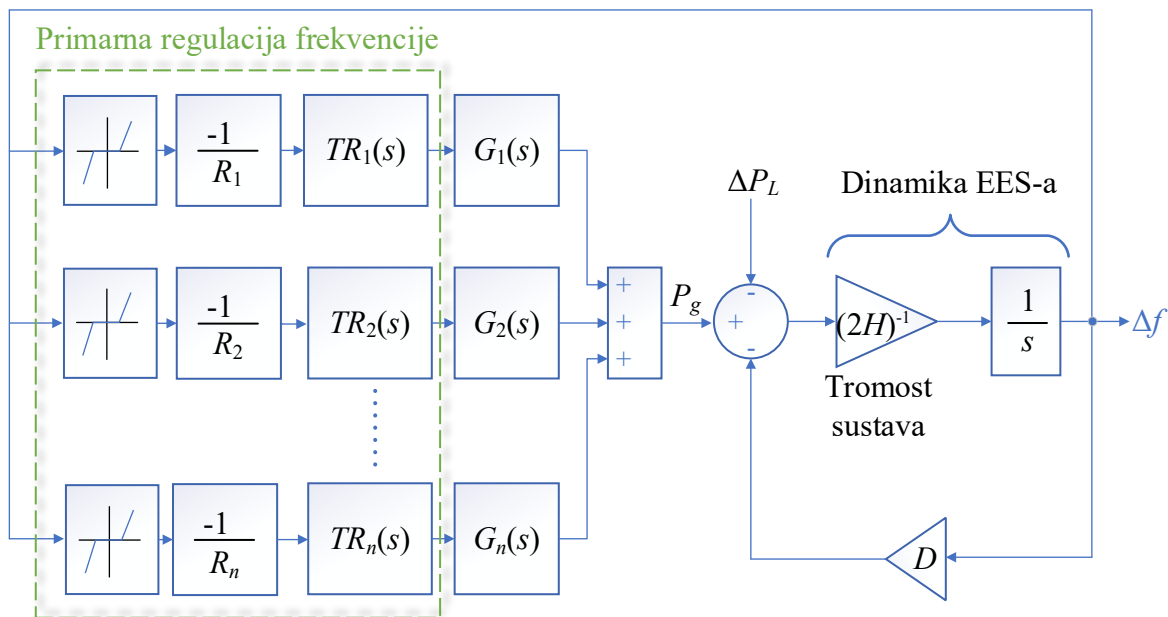
$$\Delta f(s) = \frac{1}{2H_{EES} \cdot s} (P_m(s) - P_e(s)) \quad (2.2)$$

$$P_m(s) = \frac{1}{R} \cdot TR(s) \cdot G(s) \quad (2.3)$$

$$P_e(s) = \Delta P_L(s) + D \cdot \Delta f(s) \quad (2.4)$$

$$H_{EES} = \frac{\sum_{i=1}^n H_i \cdot S_i}{\sum_{i=1}^n S_i} \quad (2.5)$$

U jednažbama (2.2)-(2.5) sljedeći su parametri: s je Laplace operator, $\Delta f(s)$ je odstupanje frekvencije od nazivne vrijednosti, $P_m(s)$ je mehanička snaga primarne regulacije frekvencije, R [%] je statičnost turbinskog regulatora, $TR(s)$ predstavlja prijenosnu funkciju turbinskog regulatora, $G(s)$ predstavlja prijenosnu funkciju turbine, $P_e(s)$ je električna snaga, $\Delta P_L(s)$ je poremećaja potrošnje, D je konstanta prigušenja potrošnje, H_{EES} [s] je ekvivalentna konstanta tromosti EES-a te H_i [s] i S_i [MVA] su konstanta tromosti i nazivna prividna snaga pojedinog generatora. Blokovski prikaz jednažbi (2.2)-(2.5) predočen je na slici 2.2.



Slika 2.2: Blok shema modela za analizu primarne regulacije frekvencije

Slika 2.2 prikazuje blok shemu modela za analizu frekvencijskog odziva s petljom primarne regulacije frekvencije [24]. Model EES-a sastoji se od jednog područja te n generatora. Pretpostavljeno je da svaki generator sudjeluje u primarnoj regulaciji frekvencije. Blokovi na slici 2.2, koji se nalaze na početku niza blokova primarne regulacije frekvencije, predstavljaju neosjetljivost turbinskog regulatora čije su uobičajene granice od 0 do 0.06% nazivne vrijednosti frekvencije [25].

2.2 SEKUNDARNA REGULACIJA FREKVENCIJE

Cilj sekundarne regulacije je vratiti frekvenciju na nazivnu vrijednost te, u slučaju paralelnog rada dvaju ili više sustava, uspostaviti snagu razmjene na planiranu vrijednost. Osim toga, sekundarnom regulacijom, kroz djelovanje od 15 do 20 minuta, postupno se oslobađa primarna rezerva snage kako bi bila dostupna za sljedeće poremećaje. Osnovni princip paralelnog rada sustava je da svaki sustav pokriva promjene snage koje u njemu nastaju. Kada se dogodi poremećaj u jednom sustavu, npr. ispad generatora, svi će sustavi privremeno kroz djelovanje primarne regulacije frekvencije pomoći u nadoknađivanju manjka snage u sustavu u kojem se dogodio poremećaj kako bi se zaustavio pad frekvencije. Međutim, samo sustav u kojem se dogodio poremećaj aktivirat će sekundarnu regulaciju frekvencije kako bi pokrio nedostatak snage nastao ispadom generatora te uspostavio snagu razmjene prema ostalim sustavima na planiranu vrijednost.

Kako bi se ostvarilo opisano djelovanje sekundarne regulacije, potrebno je da se u svakom kontrolnom području ili sustavu postavi jedan sekundarni regulator kako bi se minimizirala regulacijska pogreška područja (engl. *Area Control Error* – ACE) koja se računa prema (2.6) [26]:

$$ACE_i = \Delta P_{raz} + \beta \cdot \Delta f \quad (2.6)$$

pri čemu je i broj kontrolnog područja, ΔP_{raz} [MW] odstupanje djelatne snage i -tog regulacijskog područja od zadane vrijednosti, Δf [Hz] trenutno odstupanje frekvencije od nazivne vrijednosti, β [MW/Hz] konstanta udešena na regulatoru sustava i -tog regulacijskog područja (engl. *frequency bias factor*). Kontinuiranim mjerenjem frekvencija u svakom regulacijskom području može se pratiti trend promjene snage razmjene između dva područja prema (2.7) [27]:

$$\Delta P_{raz} = 2 \cdot \pi \cdot T_{12} \cdot \left(\int f_1 dt - \int f_2 dt \right) \quad (2.7)$$

$$T_{12} = \frac{|U_1| \cdot |U_2|}{X_T} \quad (2.8)$$

pri čemu su f_1 [Hz] i f_2 [Hz] frekvencije područja 1 i 2, T_{12} koeficijent sinkronizacije (engl. *synchronizing coefficient*), U_1 [p.u.] i U_2 [p.u.] vrijednosti napona na krajevima spojnog voda te X_T [p.u.] impedancija spojnog voda.

Kako bi se postiglo da samo sustav u kojem se dogodi poremećaj aktivira sekundarnu regulaciju frekvenciju, koeficijent β iz izraza (2.6) bi trebao imati iznos regulacijske konstante sustava, odnosno:

$$\beta = \frac{1}{R_1} + \frac{1}{R_2} + \frac{1}{R_3} + \dots + \frac{1}{R_n} + D \quad (2.9)$$

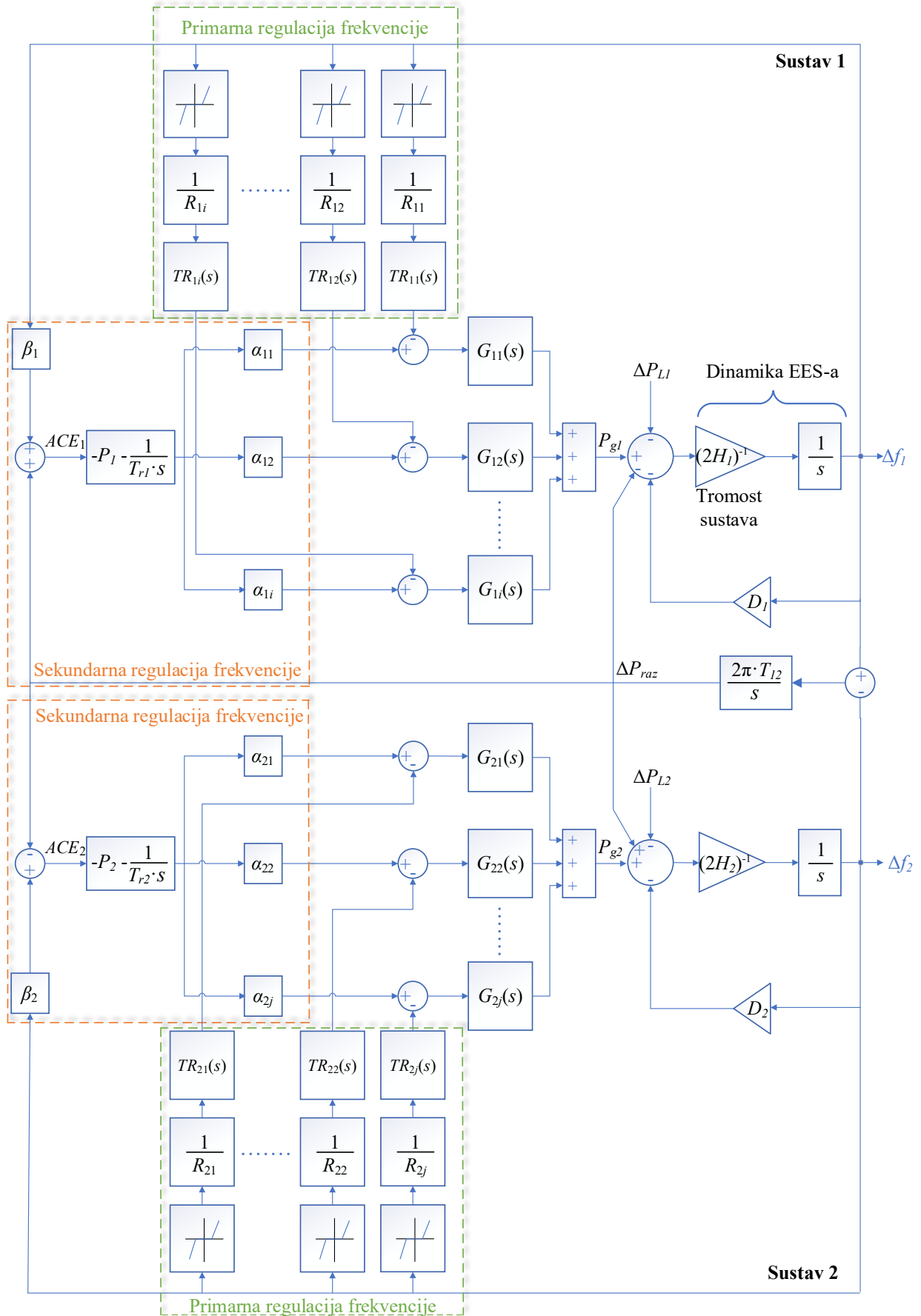
pri čemu su: $R_1, R_2, R_3 \dots R_n$ statičnosti turbinskih regulatora pojedinog generatora, n broj generatora u sustavu koji sudjeluje u regulaciji frekvencije te D konstanta prigušenja potrošnje. Ipak, u praksi se uobičajeno postavljaju vrijednosti za β nešto veće od vrijednosti dobivene iz izraza (2.9) jer točna vrijednost parametra D obično nije poznata u sustavima. Na ovaj se način osigurava da sekundarna regulacija ne poništava djelovanje primarne regulacije frekvencije (što se događa u slučaju da je β manje od vrijednosti dobivene iz izraza (2.9)).

Za razliku od primarnog regulatora koji sadrži samo proporcionalni član, sekundarni regulator, zbog potrebe da se frekvencija vrati na nazivnu vrijednost, mora sadržavati i integracijski član te zadovoljavati jednadžbu:

$$\Delta P_d = -P \cdot ACE - \frac{1}{T_r} \cdot \int ACE \cdot dt \quad (2.10)$$

pri čemu su P i T_r proporcionalni, odnosno integracijski član PI regulatora. Prema europskoj mreži operatera prijenosnih sustava za električnu energiju ENTSO-E (engl. *European Network of Transmission System Operators for Electricity*), preporučene vrijednosti za parametre P i T_r su od 0 do 0.5 s za proporcionalni član te od 50 s do 200 s za integracijski član PI regulatora [28]. Blokovski prikaz jednadžbi (2.6)-(2.10) predložen je na slici 2.3 koja ujedno predstavlja i blok shemu modela EES-a za analizu primarne i sekundarne regulacije frekvencije. Model EES-a sastoji se od dva kontrolna područja povezana prijenosnim vodom te se u svakom kontrolnom području provodi primarna i sekundarna regulacija frekvencije. Parametri α_{1i} i α_{2j} predstavljaju faktore raspodjele snage sekundarne regulacije na pojedine agregate te mora vrijediti:

$$\sum_{i=1}^n \alpha_{1i} = \sum_{j=1}^n \alpha_{2j} = 1 \quad (2.11)$$



Slika 2.3: Blok shema modela za analizu primarne i sekundarne regulacije frekvencije

2.3 TERCIJARNA REGULACIJA FREKVENCIJE

Primarni cilj tercijarne regulacije je oslobađanje potrebne rezerve sekundarne regulacije frekvencije, a osim toga, koristi se i za upravljanjem eventualnim zagušenjima te za optimalnu raspodjelu sekundarne regulacijske snage na proizvodne jedinice koje sudjeluju u sekundarnoj regulaciji frekvencije [29]. U slučaju velikih poremećaja, tercijarna regulacija frekvencije koristi se kao dodatak sekundarnoj regulaciji frekvencije kako bi se zajedničkih snagama nadoknadio nastali manjak snage te se frekvencija vratila na nazivnu vrijednost. Nakon što dispečer operatora prijenosnog sustava izda zahtjev za aktivaciju tercijarne regulacije frekvencije, u roku od 15 minuta mora biti angažiran puni opseg ugovorene snage. Promjene koje se provode pod djelovanjem tercijarne regulacije frekvencije mogu biti:

- uključivanje ili isključivanje dodatne snage
- preraspodjela snage proizvodnih jedinica koje već sudjeluju u sekundarnoj regulaciji
- promjena programa razmjene snage između regulacijskih područja
- upravljanje potrošnjom

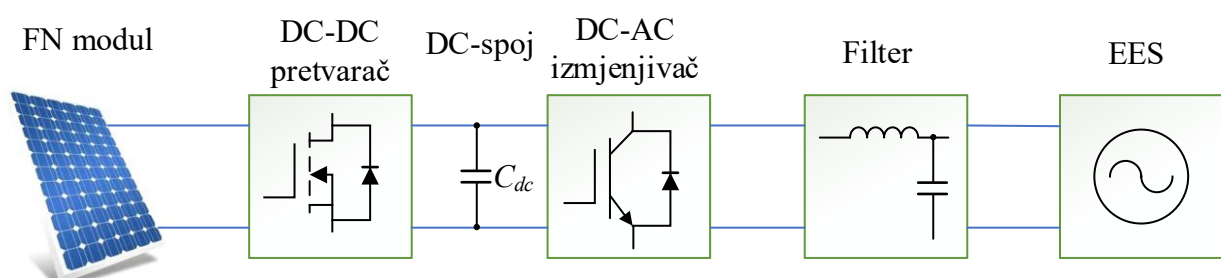
Istraživanje provedeno u disertaciji bavi se u cijelom svom opsegu primarnom i sekundarnoj regulacijom frekvencije pa je gore opisano djelovanje tercijarne regulacije frekvencije navedeno samo kao informativno.

3 MODELIRANJE FOTONAPONSKE ELEKTRANE

Sunčeva energija može se izravno pretvoriti u istosmjernu električnu energiju pomoću poluvodičkih materijala (npr. kristalni silicij) na temelju fotoelektričnog efekta. Osnovna jedinica koja vrši navedenu pretvorbu energije je fotonaponska ćelija. Napon jedne fotonaponske ćelije (od 0,5 V do 0,6 V) veoma je nizak u usporedbi s naponom koji je potreban u svakodnevnim uređajima (npr. baterije, svjetiljka, električna mreža itd.). Kako bi se dobila potrebna razina napona za primjenu u uređajima, niz fotonaponskih ćelija spaja se serijski što čini jedan fotonaponski modul. Broj ćelija u jednom modulu ovisi o vrsti modula, a trenutno su na tržištu najzastupljeniji moduli s 60 i 72 ćelije [30]. Fotonaponski moduli se, također, spajaju serijski za daljnje povećanje napona, ali i paralelno kako bi se povećala struja. Serijski i paralelni nizovi fotonaponskih modula čine fotonaponsko polje, a fotonaponska polja zajedno čine fotonaponsku elektranu. Iako fotonaponski moduli mogu izravno napajati neka istosmjerna opterećenja, u većini se slučajeva ipak koriste energetske elektroničke pretvarače u spoju s fotonaponskim modulima za poboljšanje iskorištenja energije [31]. Glavni razlozi primjene energetskih elektroničkih pretvarača su:

- Proizvodnja maksimalne snage – s obzirom da je izlazna snaga fotonaponskog modula ovisna o okolišnim uvjetima (sunčevo ozračenje i temperatura), potrebno je kontinuirano podešavati radnu točku kako bi se optimizirala proizvodnja.
- Pretvorba istosmjerne struje u izmjeničnu.

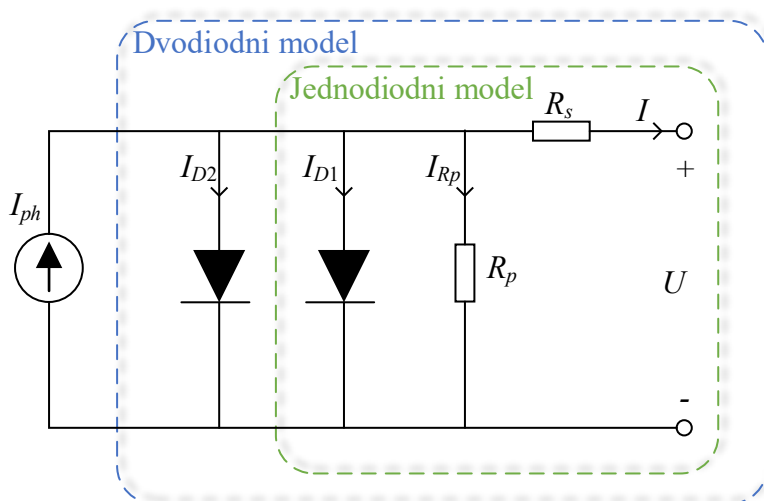
U ovom poglavlju predstavljeno je modeliranje pojedinih dijelova cjelovitoga fotonaponskog sustava prikazanog na slici 3.1.



Slika 3.1: Fotonaponski sustav

3.1 FOTONAPONSKI MODUL

Osnovna jedinica fotonaponskog modula je fotonaponska ćelija. Fotonaponska (FN) ćelija napravljena je od poluvodičkih materijala koji pretvaraju energiju sunčevog zračenja u električnu energiju. Temeljena na električnim svojstvima poluvodičkih materijala, FN ćelija se može prikazati kao strujni izvor. Postoji nekoliko načina modeliranja FN ćelije, međutim dva najzastupljenija modela su: jednodiodni model (engl. *single diode model*) i dvodiodni model (engl. *double diode model*), slika 3.2. Dvodiodni model općenito je prihvaćen kao najtočniji model, pogotovo u uvjetima niskog ozračenja. Ovaj je model pogotovo važan pri optimizaciji procesa proizvodnje FN ćelije. S druge strane, kada je istraživanje fokusirano na proizvodnju električne energije FNE, koristi se jednodiodni model jer se proizvodnja električne energije razmatra pri visokim vrijednostima ozračenja [32]. Osim u točnosti, navedeni modeli razlikuju se i u broju parametara uključenih u proračun strujno-naponske karakteristike FN ćelije. Dvodiodni model se sastoji od 7 parametara koje je potrebno izračunati dok se jednodiodni model sastoji od 5 parametara te je stoga proces simulacije modela i identifikacije parametara dosta jednostavniji u slučaju jednodiodnog modela [33].



Slika 3.2: Jednodiodni i dvodiodni model FN ćelije

S obzirom da se jednodiodni model pokazao sasvim pogodnim za korištenje u simulacijama proizvodnje snage FN polja [32], u nastavku su izvedene jednadžbe samo za taj model. Jednodiodni model pojednostavljeni je prikaz I - U karakteristike FN ćelije. Izveden je iz Shockleyeve jednadžbe za diodu uključujući pritom faktor diode a za aproksimaciju učinka rekombinacije u kvazineutralnom području i u osiromašenom sloju. Promatrajući sliku 3.2, može se napisati izraz za struju jednodiodnog modela FN ćelije:

$$I = I_{ph} - I_{D1} - I_{Rp} \quad (3.1)$$

pri čemu su: I [A] izlazna struja FN ćelije, I_{ph} [A] fotostruja, I_{D1} [A] struja diode D_1 , I_{Rp} [A] struja kroz paralelno spojeni otpornik.

Struja I_{D1} predstavljena je Shockley jednadžbom koja povezuje struju diode u $p-n$ spoju s naponom diode U_D :

$$I_{D1} = I_S \cdot \left(e^{\frac{q \cdot U_D}{a \cdot k \cdot T}} - 1 \right) \quad (3.2)$$

pri čemu su: I_S [A] struja zasićenja diode, q naboj elektrona ($1.602 \cdot 10^{-19}$ C), k Boltzmanova konstanta ($1.381 \cdot 10^{-23}$ J/K), T [K] temperatura FN ćelije, a_1 faktor kvalitete diode D_1 .

Vrijednost faktora kvalitete diode a nalazi se u intervalu od 1 do 2. Za diode u kojima dominira rekombinacija u kvazineutralnom području, koristi se vrijednost $a=1$, dok za diode u kojima dominira rekombinacija u osiromašenom sloju, koristi se vrijednost $a=2$ [32].

Struja kroz paralelno spojeni otpornik:

$$I_{Rp} = \frac{U + I \cdot R_S}{R_p} \quad (3.3)$$

pri čemu su: R_S [Ω] serijski spojeni otpornik koji predstavlja gubitke zbog prolaska struje kroz različite slojeve ćelije te R_p [Ω] paralelno spojeni otpornik koji predstavlja gubitke zbog lutajućih struja (engl. *leakage current*). Koristeći izraze za struju diode (3.2) i struju kroz paralelno spojeni otpornik (3.3) te uvrštavanjem u (3.1) dobiva se izraz (3.4) koji opisuje $I-U$ karakteristiku fotonaponske ćelije [34]:

$$I = I_{ph} - I_S \cdot \left(e^{\frac{q \cdot (U + I \cdot R_S)}{a \cdot k \cdot T}} - 1 \right) - \frac{U + I \cdot R_S}{R_p} \quad (3.4)$$

Model opisan izrazom (3.4) sastoji se od 5 nepoznatih parametara I_S , I_{ph} , a , R_S , R_p , koje je potrebno izračunati ili estimirati kako bi model što realnije predstavljao karakteristiku FN ćelije. Različite metode za identifikaciju nepoznatih parametara modela mogu se pronaći u literaturi. Metode se mogu klasificirati prema korištenoj tehnici za analitičke metode [35], numeričke metode [36] i heurističke [37] ili se jednostavno mogu koristiti podaci dobiveni od proizvođača.

Kako bi model FN ćelije bio u potpunosti određen, potrebno je još odrediti ovisnost parametara o temperaturi i ozračenju. Faktor kvalitete diode, serijski i paralelno spojeni otpornik smatraju se konstantnim tj. neovisnim o promjenama temperature i ozračenja. Dakle,

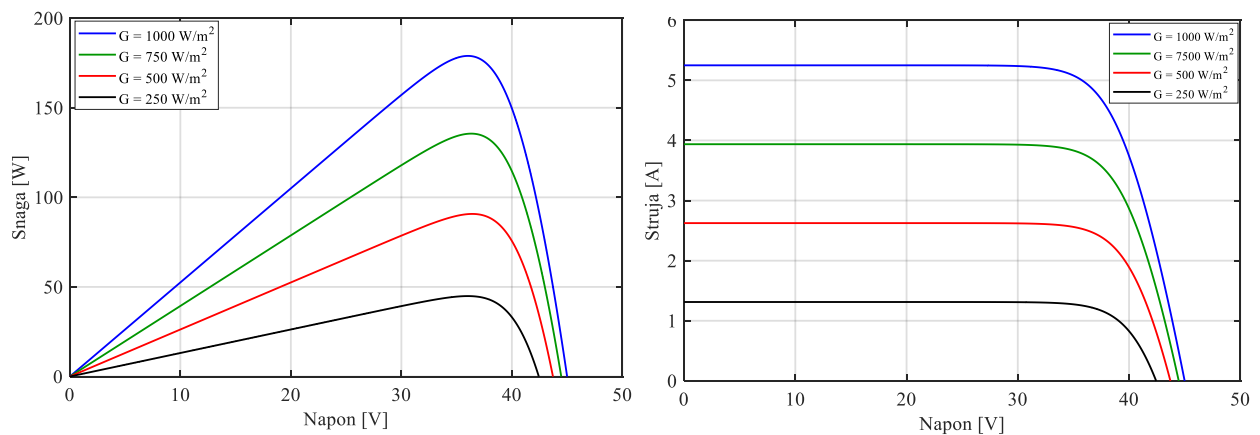
jedini parametri koji se razmatraju ovisno o promjenama temperature i ozračenja su struja zasićenja diode i fotostruja. Uobičajeno korištene relacije su sljedeće [38]:

$$I_{ph} = \frac{G}{G_{STC}} [I_{ks} + k_I \cdot (T - 298)] \quad (3.5)$$

$$I_S = \frac{I_{ks} + k_I \cdot (T - 298)}{e \cdot \frac{q \cdot (U_{ph} + k_U \cdot (T - 298))}{N_s \cdot A \cdot k \cdot T} - 1} \quad (3.6)$$

pri čemu su: G [W/m^2] ozračenje, G_{STC} [W/m^2] ozračenje pri standardnim uvjetima testiranja, I_{ks} [A] struja kratkog spoja pri STC, U_{ph} [V] napon kratkog spoja pri STC, T [K] temperatura, k_I [mA/K] temperaturni koeficijent struje, k_U [mV/K] temperaturni koeficijent napona, N_s broj spojenih ćelija u seriji.

Koristeći izraze (3.4)-(3.6) simulirane su korištenjem MATLAB-a $I-U$ i $P-U$ karakteristike fotonaponskog modula 180 W ZED mono-kristal [39] s obzirom na promjene ozračenja i prikazane na slici 3.3 [40].



Slika 3.3. Utjecaj promjene ozračenja na a) $P-U$ karakteristiku i b) $I-U$ karakteristiku FN modula [40]

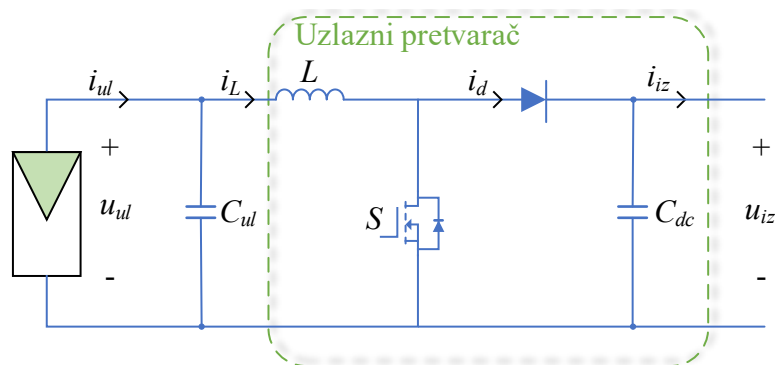
Promatrajući sliku 3.3 može se uočiti, prije svega, izrazito nelinearna karakteristika odnosa napona i struje. Posljedica je toga da postoji samo jedna radna točka (U, I) pri kojoj FN modul proizvodi maksimalnu radnu snagu, a ta radna točka ovisi o okolišnim uvjetima što je posebno uočljivo na slici 3.3a. Potrebno je, stoga, kontinuirano podešavati radnu točku kako bi se optimizirala proizvodnja. U tu svrhu koriste se tzv. MPPT metode koje će kasnije u nastavku biti detaljnije opisane.

3.2 DC/DC PRETVARAČ

Pri napajanju istosmjernog opterećenja (npr. baterije) ili istosmjerne mikromreže, često je potrebno prilagoditi izlazni napon FNE-a na određenu vrijednost ovisno o potrošaču. U određenim slučajevima potrebno je povećati DC napon kako bi vrijednost napona bila prilagođena za pretvorbu u mrežni AC napon. U tom slučaju koriste se DC-DC pretvarači za povećanje ili smanjenje izlaznog napona FNE-a u skladu sa zahtjevima opterećenja. DC/DC pretvarači izgrađeni su od kapacitivnih, induktivnih i poluvodičkih elemenata. Kapacitivni i induktivni elementi u uređaju obnašaju funkciju spremnika energije, a poluvodički elementi vrše funkciju sklopke. Prijenos energije vrši se sklapanjem sklopke određenom frekvencijom pri čemu se unutar svakog perioda sklapanja prenosi energija iz spremnika energije u pretvaraču na izlaz pretvarača. Tri osnovna tipa topologija DC/DC pretvarača u svakodnevnoj upotrebi su [41]:

- silazni pretvarač (engl. *buck converter*) – izlazni napon manji od ulaznog napona
- uzlazni pretvarač (engl. *boost converter*) – izlazni napon veći od ulaznog napona
- silazno-uzlazni (engl. *buck-boost converter*) – izlazni napon može biti i veći i manji od ulaznog napona

Ove topologije (način na koji su povezane tranzistorska sklopka, dioda, prigušnica i kondenzator) nazivaju se neizolirane jer ulazni i izlazni naponi dijele zajedničku masu. Svaka topologija ima svoja jedinstvena svojstva, uključujući omjere ulaznog i izlaznog napona u statičkom stanju, prirodu ulaznih i izlaznih struja te valovitost izlaznog napona. Kako bi se ostvarila jedna od glavnih uloga DC-DC pretvarača, a to je optimizacija proizvodnje snage fotonaponskih modula čak i pod promjenjivim i nejednakim profilima sunčevog zračenja i temperature okoline, potrebno je uspostaviti automatsku regulaciju pretvarača. S obzirom da je uzlazni pretvarač najčešće zastupljen sustavima FNE-a [42], u ovom poglavlju prikazat će se modeliranje i upravljanje samo tom vrstom pretvarača čija je topologija prikazana na slici 3.4.



Slika 3.4: Shema uzlaznog pretvarača

Na slici 3.4 i_{ul} i i_{iz} su ulazna, odnosno izlazna struja, i_d je struja diode, u_{ul} i u_{iz} su ulazni, odnosno izlazni napon, L je prigušnica, C_{ul} ulazni kondenzator i C_{dc} kondenzator na DC-spoju.

Budući da je FN modul spojen na ulaz pretvarača, upravljanje mora regulirati ulazni napon pretvarača, što se razlikuje od tipičnih DC-DC pretvarača kojima je cilj kontrolirati izlazni napon. Izlazni napon u_{iz} reguliran je DC/AC izmjenjivačem te se smatra konstantnim tijekom perioda sklapanja pretvarača. Dakle, cilj upravljanja je podešavati vrijednost faktora vođenja d sklopke S kako bi se dobio željeni napon na ulazu u_{ul} , koji se u slučaju uzlaznog pretvarača računa prema izrazu (3.7):

$$u_{ul} = u_{iz} \cdot (1 - d) \quad (3.7)$$

Faktor vođenja d definiran je kao omjer vremena uključenosti sklopke T_{ON} i ukupnog perioda T :

$$d = \frac{T_{ON}}{T} = \frac{T_{ON}}{T_{ON} + T_{OFF}} \quad (3.8)$$

Izraz (3.7) predstavlja omjer ulaznih i izlaznih veličina pretvarača u stacionarnom stanju, međutim za istraživanje ponašanja pretvarača tijekom odstupanja veličina uslijed nekog poremećaja, potrebno je provesti dinamičku analizu. Dinamičkom analizom pretvarača kao krajnji rezultat može se dobiti nekoliko prijenosnih funkcija, ali u ovom dijelu razmatra se samo prijenosna funkcija ovisnosti ulaznog napona o faktoru vođenja tj. $u_{ul}(s)/d(s)$.

Analiza se provodi za pretvarač u neisprekidanom stanju vođenja u kojem se razlikuju dva stanja po ciklusu sklapanja sklopke. U prvom stanju (engl. *ON state*), tranzistorska sklopka S je uključena i tranzistor provodi struju, a dioda je reverzno polarizirana. U drugom stanju (engl. *OFF state*) tranzistorska sklopka je isključena, dok diodom teče struja. S obzirom na sliku 3.4, mogu se ispisati sljedeće diferencijalne jednadžbe:

ON stanje

$$L \frac{di_L}{dt} = u_{ul} \quad (3.9)$$

$$C_{ul} \frac{du_{ul}}{dt} = i_{ul} - i_L \quad (3.10)$$

OFF stanje

$$L \frac{di_L}{dt} = u_{ul} - u_{iz} \quad (3.11)$$

$$C_{ul} \frac{du_{ul}}{dt} = i_{ul} - i_L \quad (3.12)$$

Množenjem izraza (3.9)-(3.10) s d i izraza (3.11)-(3.12) s $(1-d)$ te njihovim zbrojem dobiva se usrednjeni sustav jednadžbi koji vrijedi za cijeli period sklapanja T :

$$\frac{di_L}{dt} = \frac{1}{L} \cdot [u_{ul} - (1-d) \cdot u_{iz}] \quad (3.13)$$

$$\frac{du_{ul}}{dt} = \frac{1}{C_{ul}} \cdot [i_{ul} - i_L] \quad (3.14)$$

Uvođenjem malosignalnih perturbacija:

$$d = D + \tilde{d} \quad (3.15)$$

$$i_L = I_L + \tilde{i}_L \quad (3.16)$$

$$i_{ul} = I_{ul} + \tilde{i}_{ul} \quad (3.17)$$

$$u_{ul} = U_{ul} + \tilde{u}_{ul} \quad (3.18)$$

$$u_{iz} = U_{iz} + \tilde{u}_{iz} \quad (3.19)$$

u jednadžbe (3.13)-(3.13)(3.14) pri čemu su statičke istosmjernje veličine označene s velikim slovom, a male promjene veličina s "~" dobivaju se sljedeće relacije:

$$\frac{dI_L}{dt} + \frac{d\tilde{i}_L}{dt} = \frac{1}{L} \cdot [U_{ul} + \tilde{u}_{ul} - (1-D-\tilde{d}) \cdot (U_{iz} + \tilde{u}_{iz})] \quad (3.20)$$

$$\frac{dU_{ul}}{dt} + \frac{d\tilde{u}_{ul}}{dt} = \frac{1}{C_{ul}} \cdot [I_{ul} + \tilde{i}_{ul} - I_L - \tilde{i}_L] \quad (3.21)$$

Poništavanjem statičkih veličina i uz pretpostavku da je izlazni napon konstantan, tj. $\tilde{u}_{iz} = 0$, nakon primjene Laplaceove transformacije, dobiva se konačni set jednadžbi koje predstavljaju malosignalni model uzlaznog pretvarača [43]:

$$s \cdot \tilde{i}_L = \frac{1}{L} \cdot [\tilde{u}_{ul} + \tilde{d} \cdot U_{iz}] \quad (3.22)$$

$$s \cdot \tilde{u}_{ul} = \frac{1}{C_{ul}} \cdot [\tilde{i}_{ul} - \tilde{i}_L] \quad (3.23)$$

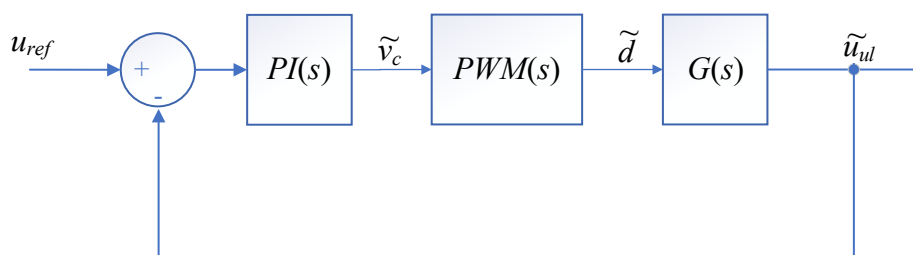
Ulazna struja \tilde{i}_{ul} koja predstavlja struju FN modula, može se zapisati pomoću ulaznog napona \tilde{u}_{ul} i dinamičkog otpora R_{pv} kao [44]:

$$\tilde{i}_{ul} = \frac{\tilde{u}_{ul}}{R_{pv}} \quad (3.24)$$

Ubacivanjem izraza (3.24) u (3.23) te kombinacijom s izrazom (3.22), dobiva se tražena prijenosna funkcija:

$$G(s) = \frac{\tilde{u}_{ul}(s)}{\tilde{d}(s)} = \frac{-\frac{U_{iz}}{L \cdot C_{ul}}}{s^2 - \frac{1}{R_{pv} \cdot C_{ul}} \cdot s + \frac{1}{L \cdot C_{ul}}} \quad (3.25)$$

Nakon što je dobivena prijenosna funkcija uzlaznog pretvarača $G(s)$, može se uspostaviti sustav naponskog upravljanja prema shemi na slici 3.5.



Slika 3.5: Blokovska shema naponskog načina upravljanja

Na slici 3.5, blok $PI(s)$ predstavlja prijenosnu jednadžbu PI regulatora, a blok $PWM(s)$ predstavlja prijenosnu jednadžbu pulsno-širinskog modulatora (engl. *Pulse Width Modulation*) $PWM(s) = 1/V_r$ pri čemu je V_r amplituda pilastog valnog oblika koji se u modulatoru uspoređuje s kontrolnim signalnom \tilde{v}_c . Referentni napon u_{ref} uobičajeno predstavlja napon određen nekim od MPPT algoritama.

3.2.1 METODE ZA PRAĆENJE TOČKE MAKSIMALNE SNAGE – MPPT METODE

Fotonaponski modul ima nisku učinkovitost pretvorbe sunčeve energije u električnu energiju pa da bi se spriječili dodatni gubici nastali zbog rada FN modula u neoptimalnoj točki tj. zbog proizvodnje snage manje nego dostupne, razvijene su metode za proizvodnju maksimalne snage FN modula tzv. MPPT metode. U uvjetima ravnomjernog ozračenja FN modula, na $P-U$ karakteristici postoji točno jedna točka maksimalne snage proizvodnje. Međutim, točka maksimalne snage MPP (engl. *Maximum Power Point*) mijenja se ovisno o temperaturi i sunčevom zračenju kao što se vidi na slici 3.3a. MPPT algoritam primijenjen je u istosmjernom pretvaraču koji je sastavni dio energetskog pretvarača preko kojega se FNE priključuje na EES [45]. Postoje brojne MPPT metode i mogu se podijeliti na različite načine kao npr. prema brzini konvergencije, cijeni, broju potrebnih senzora, učinkovitosti, osjetljivosti na promjene okolišnih uvjeta itd. [46]. Jedna od uobičajenih podjela je podjela na izravne i neizravne metode. Neizravne metode zahtijevaju poznavanje parametara i karakteristike FN modula, dok za izravne metode nije potrebno poznavati karakteristike FN modula [47]. Neke od neizravnih metoda su: metoda napona praznog hoda (engl. *Fractional Open-Circuit Voltage*), metoda struje kratkog spoja (engl. *Fractional Short-Circuit Current*), metoda preglednih tablica (engl. *Look-up Table*) i dr. Neke od izravnih metoda su: metoda perturbacije (engl. *Perturb and Observe*), metoda inkrementalne vodljivosti (engl. *Incremental Conductance*), metode

temeljene na neizrazitoj logici (engl. *Fuzzy Logic*), metode temeljene na neuronskim mrežama (engl. *Neural Network*) i dr.

Među najjednostavnije metode spadaju metoda napona praznog hoda i metoda struje kratkog spoja. Metoda napona praznog hoda temelji se na pretpostavci konstantnog odnosa maksimalnog napona U_{mpp} i napona praznog hoda U_{ph} :

$$U_{mpp} = k \cdot U_{ph} \quad (3.26)$$

Koeficijent k iznosi 0.65 – 0.8 prema [48], dok prema [49] iznosi 0.71 – 0.78. Napon praznog hoda se određuje tako što se periodično isključuje opterećenje na 10 ms - 50 ms svake minute te se mjeri U_{ph} , a zatim se na temelju izmjerenog praznog hoda i koeficijenta k , određuje napon radne točke modula. Kako bi se spriječili gubici energije zbog periodičnog isključivanja opterećenja, može se koristiti pilot ćelija koja će predstavljati karakteristiku cijelog modula te se na njoj mjeri napon U_{ph} .

Na sličan način funkcionira i metoda struje kratkog spoja koja se temelji na pretpostavci konstantnog odnosa struje I_{mpp} , koja odgovara točki maksimalne snage, i struje kratkog spoja I_{ks} :

$$I_{mpp} = k_1 \cdot I_{ks} \quad (3.27)$$

Mjerenjima je utvrđeno da koeficijent k_1 iznosi 0.78 – 0.92 prema [50]. Nakon što se odredi struja kratkog spoja, uz poznavanje koeficijenta k_1 , određuje se struja I_{mpp} pri kojoj je izlazna snaga panela maksimalna.

Zasigurno jedna od najzastupljenijih metoda u literaturi je metoda perturbacije. Metoda se temelji na promatranju omjera promjene snage i napona tj. derivacije dP/dU te u ovisnosti o predznaku derivacije se određuje sljedeći korak [51]. Algoritam ove metode radi na temelju radne točke koja može biti u 3 različite pozicije:

1. $\frac{dP}{dU} = 0$; Radna točka nalazi se u točki maksimalne snage.
2. $\frac{dP}{dU} > 0$; Radna točka nalazi se lijevo od točke maksimalne snage te je potrebno napon povećati u sljedećem koraku.
3. $\frac{dP}{dU} < 0$; Radna točka nalazi se desno od točke maksimalne snage te je potrebno napon smanjiti u sljedećem koraku.

Prednosti ove metode su jednostavna i jeftina implementacija, a nedostaci su da zapravo metoda nikada ne postiže MPP točku nego kontinuirano oscilira oko nje, a u slučaju promjene okolišnih uvjeta, algoritam može donijeti pogrešne odluke o smjeru promjene napona [52].

Vrijednost koraka promjene napona veoma je važna u ovoj metodi. Ako je vrijednost koraka promjene napona prevelika, algoritam će brzo konvergirati prema MPP, međutim pojavljuju se velike oscilacije oko MPP. Ako je vrijednost koraka promjene napona premalena, oscilacije će biti smanjene, međutim i brzina konvergencije algoritma također će biti smanjena [53].

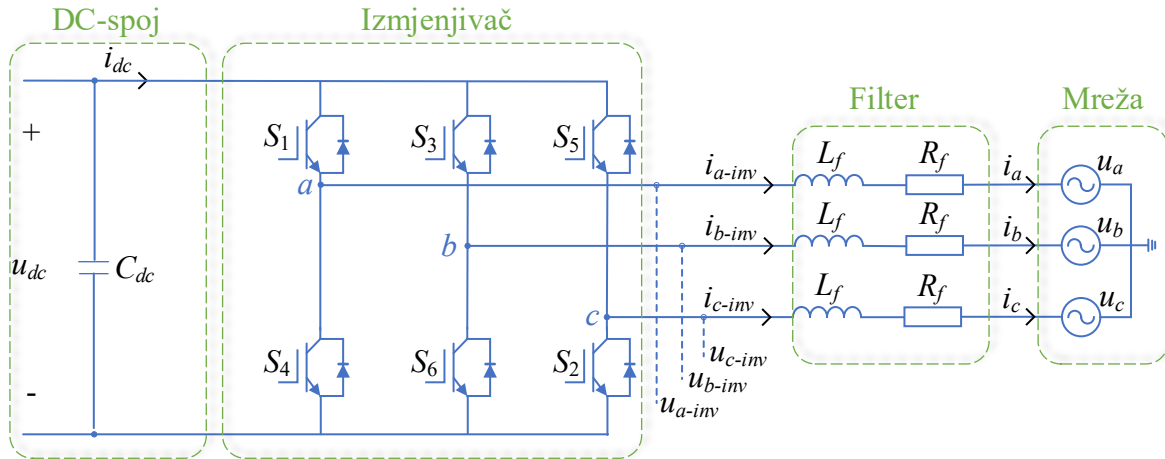
Metoda inkrementalne vodljivosti je metoda koja je također široko zastupljena u literaturi. Metoda je prvenstveno razvijena kako bi se uklonile ili smanjile oscilacije oko MPP u metodi perturbacije. Potrebni smjer promjene napona dobiva se usporedbom povećanja vodljivosti s trenutnom vodljivošću [54]. Nakon što se postigne jednaka vrijednost, algoritam ne mijenja napon sve dok se ne naruši jednakost. Algoritam ove metode radi na temelju radne točke koja može biti u 3 različite pozicije:

1. $\frac{dI}{dU} = -\frac{I}{U}$; Radna točka nalazi se u točki maksimalne snage te nije potrebno mijenjati napon.
2. $\frac{dI}{dU} > -\frac{I}{U}$; Radna točka nalazi se lijevo od točke maksimalne snage te je potrebno napon povećati u sljedećem koraku.
3. $\frac{dI}{dU} < -\frac{I}{U}$; Radna točka se nalazi desno od točke maksimalne snage te je potrebno napon smanjiti u sljedećem koraku.

Glavni nedostaci ove metode su teža primjenjivost algoritma zbog postojanja nazivnika koji može poprimiti vrijednost nula, problem određivanja veličine koraka promjene napona te također i ova metoda može imati probleme zbog brze promjene okolišnih uvjeta. Međutim, bez obzira na postojanje nedostataka, obje metode (metoda inkrementalne vodljivosti i metoda perturbacija) koriste se u praksi zbog svoje jednostavnosti i dovoljno velike efikasnosti.

3.3 DC/AC IZMJENJIVAČ

Uloga DC/AC izmjenjivača je pretvoriti ulaznu DC snagu u AC snagu na izlazu te sinkronizacija s mrežom. Postoje razne topologije ovih izmjenjivača s obzirom na učinkovitost, svojstva, cijenu itd. Ovdje se modelira trofazni DC/AC izmjenjivač u mosnom spoju (engl. *full-bridge three-phase inverter*) čija je shema prikazana na slici 3.6. Upravljanje izmjenjivačem uobičajeno se izvodi s dvije petlje: vanjska i unutarnja petlja. Vanjska petlja regulira napon ili snagu na DC-spoju te generira referentnu struju za unutarnju petlju kojom se regulira struja. Unutarnja petlja treba se dizajnirati tako da bude dosta brža od vanjske petlje [55].



Slika 3.6: Shema trofaznog izmjenjivača u mosnom spoju

Prema slici 3.6, unutarnjom upravljačkom strujnom petljom regulira se struja na izlazu izmjenjivača i_{a-inv} , i_{b-inv} , i_{c-inv} koja je u slučaju L -filtra jednaka struji mreže i_a , i_b , i_c (struja opterećenja). Jednadžbe koje opisuju struje izmjenjivača su sljedeće:

$$L_f \frac{di_a}{dt} + R_f \cdot i_a = u_{a-inv} - u_a \quad (3.28)$$

$$L_f \frac{di_b}{dt} + R_f \cdot i_b = u_{b-inv} - u_b \quad (3.29)$$

$$L_f \frac{di_c}{dt} + R_f \cdot i_c = u_{c-inv} - u_c \quad (3.30)$$

pri čemu su: L_f [H] i R_f [Ω] induktivitet, odnosno otpor filtra; u_a , u_b , u_c [V] napon mreže po fazama te u_{a-inv} , u_{b-inv} , u_{c-inv} [V] napon na izlazu izmjenjivača. Kako bi se mogao upotrijebiti PI regulator, potrebno je izraze (3.28)-(3.30) pretvoriti u DC varijable, a to se postiže primjenom Parkovih transformacija (engl. *Park transformation*) za dobivanje matematičkog modela izmjenjivača u dq koordinatnom sustavu. Izrazi (3.28)-(3.30) zapisani u dq koordinatnom sustavu su sljedeći:

$$L_f \frac{di_d}{dt} + R_f \cdot i_d - \omega \cdot L_f \cdot i_q = u_{d-inv} - u_d \quad (3.31)$$

$$L_f \frac{di_q}{dt} + R_f \cdot i_q + \omega \cdot L_f \cdot i_d = u_{q-inv} - u_q \quad (3.32)$$

pri čemu su: i_d i i_q [A] struje opterećenja u dq koordinatnom sustavu, u_{d-inv} i u_{q-inv} [V] naponi na izlazu izmjenjivača u dq koordinatnom sustavu, u_d i u_q [V] naponi mreže u dq koordinatnom sustavu te ω [rad/s] frekvencija sustava. U izrazima (3.31) i (3.32) vidljivo je da su izlazne struje i_d i i_q povezane jedna s drugom, što dovodi do pomalo kompliciranog sustava iz

perspektive upravljanja. Zbog toga se reference izlaznog napona modificiraju dodavanjem članova u_{d-inv^*} i u_{q-inv^*} [56]:

$$u_{d-inv^*} = u_{d-inv} + \omega \cdot L_f \cdot i_q - u_d \quad (3.33)$$

$$u_{q-inv^*} = u_{q-inv} - \omega \cdot L_f \cdot i_d - u_q \quad (3.34)$$

Nakon provedenih modifikacija, model strujne petlje može se zapisati kao:

$$L_f \frac{di_d}{dt} + R_f \cdot i_d = u_{d-inv^*} \quad (3.35)$$

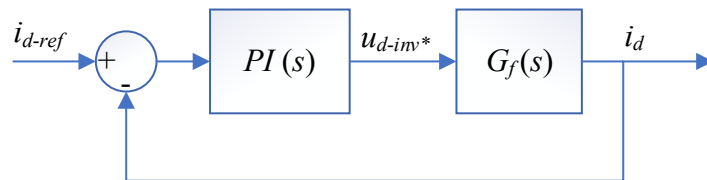
$$L_f \frac{di_q}{dt} + R_f \cdot i_q = u_{q-inv^*} \quad (3.36)$$

Vidljivo je da su izrazi (3.35) i (3.36) jednaki u smislu dinamike, stoga dovoljno je analizirati samo jednu od koordinatnih osi, d ili q .

Primjenjujući Laplaceovu transformaciju na izraz (3.35), dobiva se prijenosna jednadžba strujne petlje:

$$\frac{i_d(s)}{u_{d-inv^*}(s)} = \frac{1}{L_f \cdot s + R_f} = G_f(s) \quad (3.37)$$

Na slici 3.7 prikazana je shema zatvorene petlje strujnog upravljanja.



Slika 3.7: Shema zatvorene petlje strujnog upravljanja

Upravljanje izlaznom snagom izmjenjivača može se postići regulacijom napona u_{dc} istosmjernog međukruga. Održavanje konstantnog napona u_{dc} na nazivnoj vrijednosti osigurava da se sva dobivena snaga iz FN modula može prenijeti AC opterećenju. Napon u_{dc} kontrolira se vanjskom upravljačkom petljom. Pretpostavljajući da izmjenjivač nema gubitaka, ulazna DC snaga i izlazna AC snaga su u ravnoteži prema (3.38):

$$P_{dc} = P_{ac} \quad (3.38)$$

$$u_{dc} \cdot C_{dc} \cdot \frac{du_{dc}}{dt} = \frac{3}{2} \cdot (u_d \cdot i_d + u_q \cdot i_q)$$

Kako dq koordinatni sustav nije stacionaran, već se vrti frekvencijom ω , tipično se d os koordinatnog sustav postavlja da bude u fazi s prostornim vektorom napona mreže U_{abc} , što rezultira time da je q komponenta napona jednaka nuli tj. $u_q = 0$. Uvođenjem malosignalnih perturbacija:

$$u_{dc} = U_{dc} + \tilde{u}_{dc} \quad (3.39)$$

$$u_d = U_d + \tilde{u}_d \quad (3.40)$$

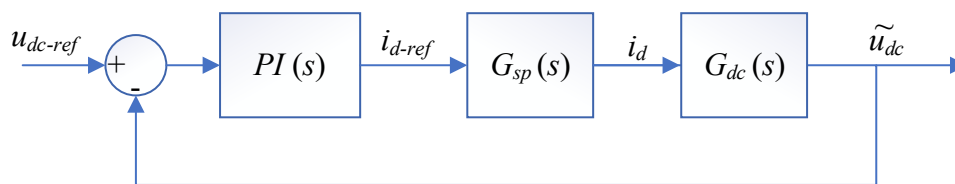
$$i_d = I_d + \tilde{i}_d \quad (3.41)$$

u (3.38), primjenom Laplaceove transformacije te sređivanjem nastalog izraza dobiva se prijenosna jednadžba napona na DC spoju u ovisnosti o d komponenti struje mreže [57]:

$$\frac{\tilde{u}_{dc}(s)}{\tilde{i}_d(s)} = \frac{3}{2} \cdot \frac{U_m}{U_{dc} \cdot C_{dc} \cdot s} = G_{dc}(s) \quad (3.42)$$

pri čemu su: U_{dc} [V] prosječna vrijednost napona na DC-spoju, U_m [V] amplituda napona mreže te vrijedi $U_d = U_m$.

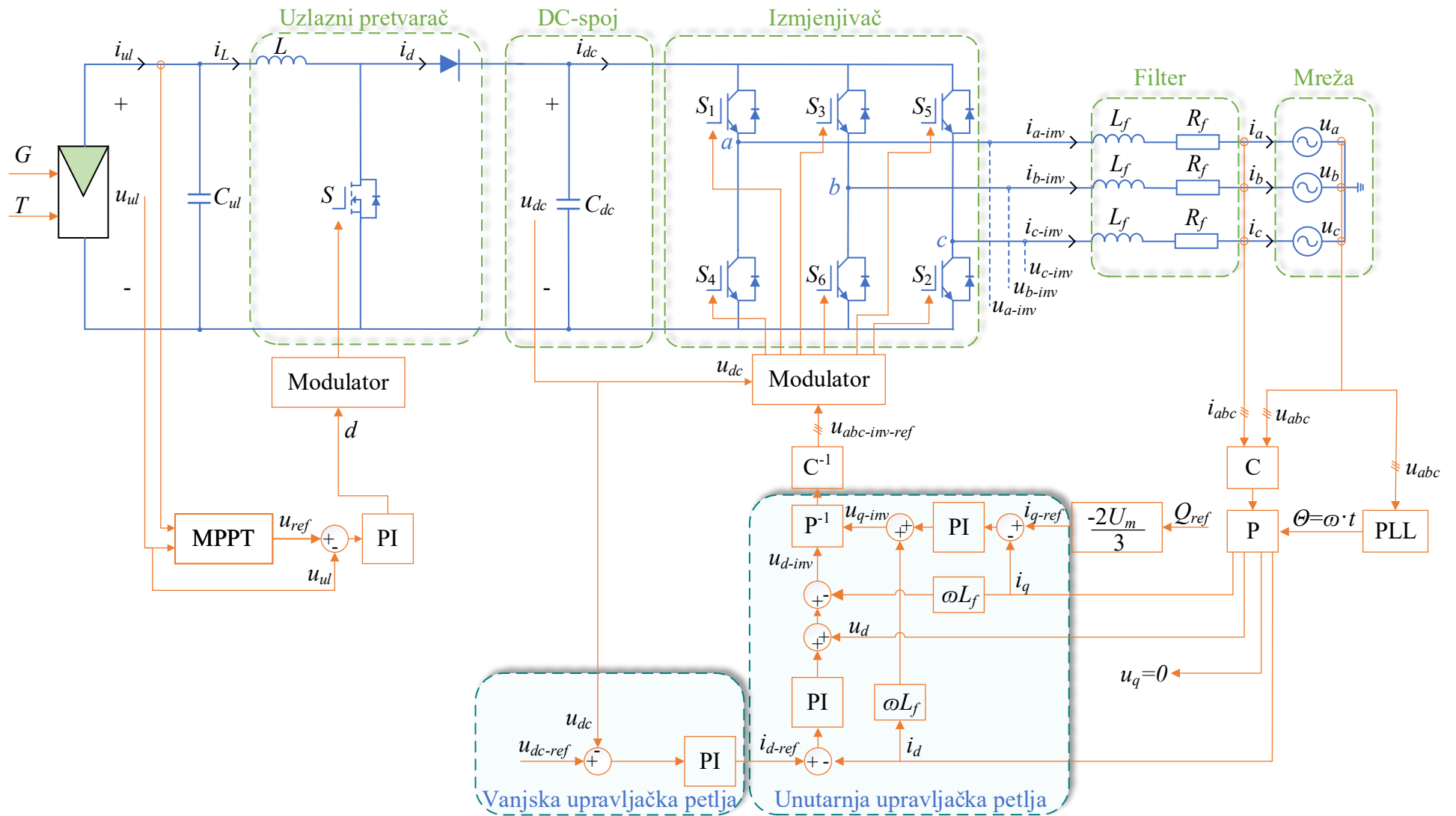
Nakon što je dobivena prijenosna funkcija dinamike DC-spoja $G_{dc}(s)$, može se uspostaviti vanjska upravljačka petlja prema shemi na slici 3.8.



Slika 3.8. Shema zatvorene petlje naponskog upravljanja

Na slici 3.8, $G_{sp}(s)$ predstavlja prijenosnu jednadžbu zatvorene petlje strujnog upravljanja, dok u_{dc-ref} predstavlja referentni napon na DC-spoju.

Slika 3.9 prikazuje cjelovitu upravljačku strukturu FN sustava. Blokovi C i P predstavljaju Clarkovu transformaciju (engl. *Clark transformation*), odnosno Parkovu transformaciju, dok blokovi C^{-1} i P^{-1} predstavljaju inverznu Clarkovu, odnosno Parkovu transformaciju. Blok PLL predstavlja fazno zatvorenu petlju (engl. *Phase-Locked Loop*)



Slika 3.9: Upravljačka struktura FN sustava

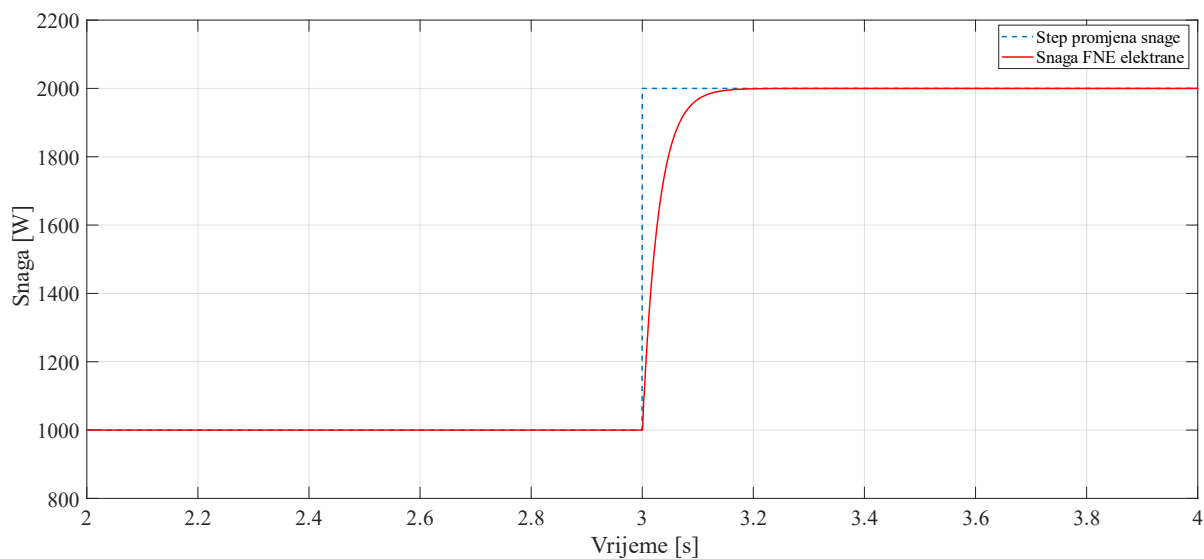
Na osnovu upravljačke strukture FNE-a prikazane na slici 3.9, izvršene su simulacije sa stvarnim podacima FNE-a snage 2 kW kako bi se predočila brzina odziva sustava na promjenu reference snage. Podaci FN sustava dani su u tablici 3.1 [58].

Tablica 3.1: Parametri 2 kW FNE [58]

Parametar	Oznaka	Vrijednost
Nazivna snaga	P_n	2 kW
Kapacitet ulaznog kondenzatora	C_{ul}	470 μ F
Induktivitet pretvarača	L	500 μ H
Kapacitet kondenzatora na DC-spoju	C_{dc}	1175 μ F
Napon DC-spoja	$U_{dc} (U_{iz})$	700 V
Amplituda napona mreže	U_m	230 V
Induktivitet filtra	L_f	7,6 mH
Otpor filtra	R_f	0,08 Ω
Dinamički otpor FN modula	R_{pv}	-3 Ω
Parametri PI regulatora unutarnje upravljačke petlje izmjenjivača	K_{p-u}	1,68
	K_{i-u}	103,9
Parametri PI regulatora vanjske upravljačke petlje izmjenjivača	K_{p-v}	1,36
	K_{i-v}	69,77
Parametri PI regulatora pretvarača	K_{p-p}	0,01
	K_{i-p}	-97,59

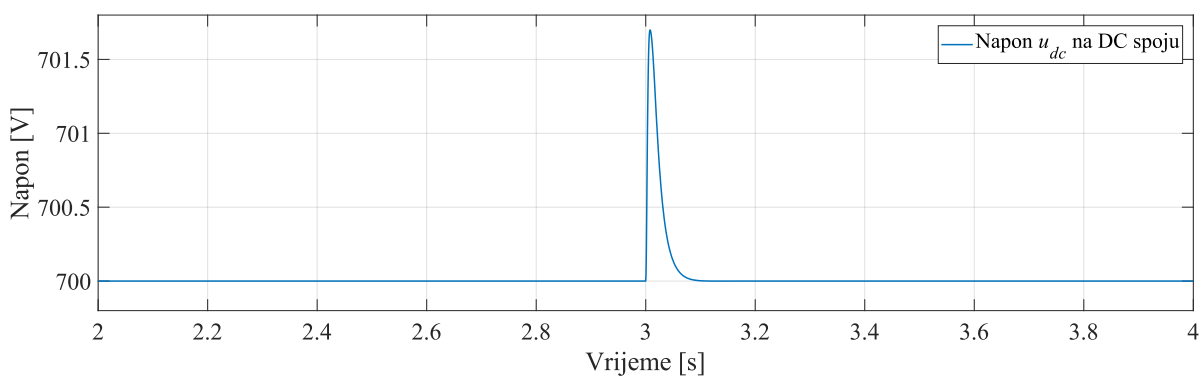
Parametri PI regulatora izmjenjivača i pretvarača dobiveni su korištenjem funkcije za unutar MATLABA za podešavanje parametara PID regulatora (engl. *PID Tuner App*). S obzirom da je istraživanje disertacije fokusirano na regulaciju frekvencije EES-a za koju je važna brzina odziva snage pojedine elektrane, izvršena je simulacija odziva FNE-a za slučaj povećanja snage. Na slici 3.10 prikazana je dinamika promjene snage u 3. sekundi s početne vrijednosti iznosa 1 kW na nazivnu snagu iznosa 2 kW. Vidljivo je kako FNE sposobna u milisekundom periodu izvršiti promjenu snage. Za oko 150 ms sustav je dostigao postavljenu referencu snage. Ova dinamika promjene snage višestruko je brža od dinamike konvencionalnih elektrana kojima je potrebno do nekoliko sekundi da promijene snagu. Upravo ovaj pokazatelj razlike u brzini odziva FNE i konvencionalnih elektrana je pokrenulo nastojanja da se novim, modernim

elektranama, pa tako i FNE-ima, temeljenim na energetskej elektronici omogući sudjelovanje u regulaciji frekvencije.

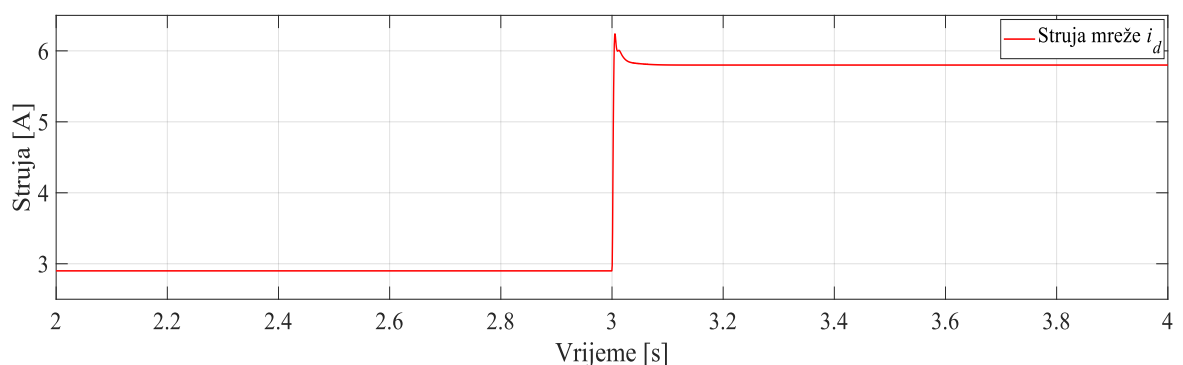


Slika 3.10: Odziv promjene snage FNE-a

Dodatno, na slikama 3.11 i 3.12, prikazana je dinamika promjene napona u_{dc} na DC-spoju te promjena d komponente struje mreže i_d . S obzirom da se struja i_d regulira unutarnjom petljom izmjenjivača koja se dizajnira da bude brža od vanjske petlje, može se primijetiti da struja i_d (slika 3.12) brže postiže stacionarno stanje od napona u_{dc} (slika 3.11).



Slika 3.11: Napon na DC spoju



Slika 3.12: d komponenta struje mreže

4 APROKSIMACIJA FREKVENCIJSKOG ODZIVA EES-A

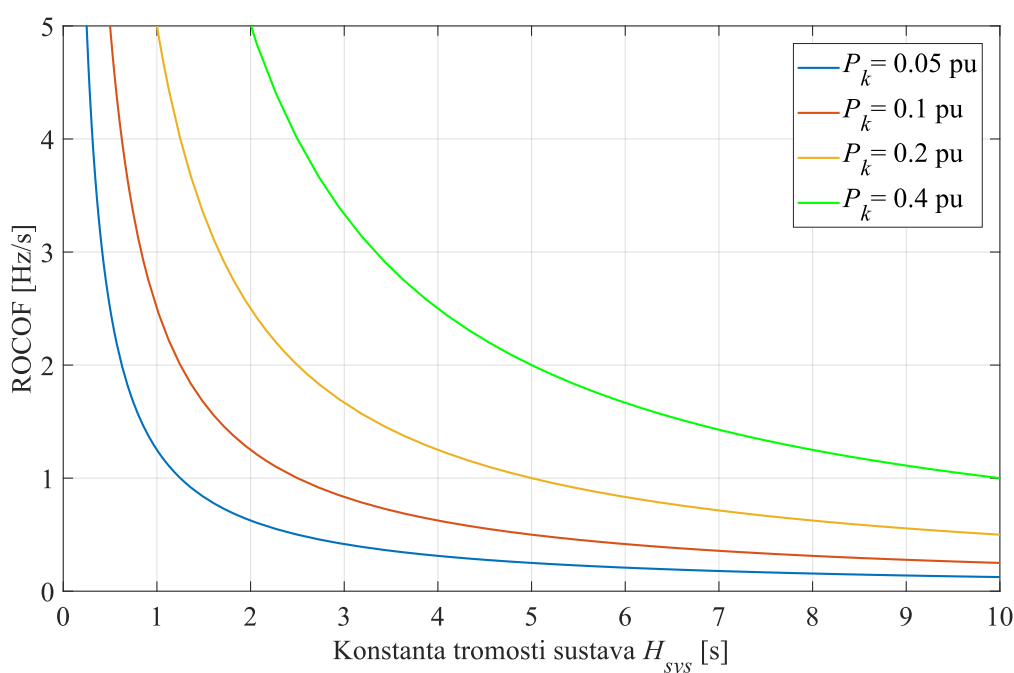
Frekvencijski odziv EES-a karakteriziran je s dva parametra (predočeno na slici 1.2 u uvodnom poglavlju):

- ROCOF - početna brzina promjene frekvencije u trenutku neposredno nakon poremećaja
- Nadir frekvencije - najniža/najviša točka odstupanja frekvencije od nazivne vrijednosti

Parametar ROCOF nije bio od velike važnosti u konvencionalnim EES-ima zbog dostatne inercije sinkronih generatora koja ograničava i sprječava pojavu velikih vrijednosti ROCOF-a. Međutim, u novije vrijeme ovaj parametar poprima sve veću važnost. S jedne strane, sve većom integracijom elektrana temeljenim na izmjenjivačima koje inherentno ne doprinose inerciji sustava te s druge strane, isključivanjem sinkronih generatora, dolazi do pojave velikih vrijednosti ROCOF-a uslijed poremećaja u sustavu. Visoke vrijednosti ROCOF-a značajno utječu na održavanje stabilnosti frekvencije u EES-u. Jedan od problema je mogućnost nepotrebne prorade releja za zaštitu od otočnog pogona. U EES-ima sa sve većim brojem elektrana temeljenih na izmjenjivačima dolazi do smanjenja inercije sustava te posljedično, do pojave većih ROCOF-a tijekom normalnog pogona. U takvim sustavima može doći do problema uslijed uklapanja/isklapanja većih tereta, prijelaznih pojava ili nekog kvara u mreži koji može uzrokovati proradu zaštitnog releja koji će nepotrebno isključiti generator s mreže. Podešenja ROCOF releja moraju biti takva da s jedne strane relej ne reagira na prijelazne pojave, a s druge strane da prepozna otočni pogon te pravovremeno isključi elektranu s mreže. Osim navedenog, u slučaju stvarnog poremećaja i pojave visokog ROCOF-a, može se dogoditi da konvencionalni algoritmi za podfrekvencijsko rasterećenje ne budu sposobni na vrijeme reagirati te tako održati stabilnost sustava [59],[60]. Treba naglasiti, ipak, da samo prisustvo OIE-eva u EES-u nema utjecaj na ROCOF, već do promjene ROCOF-a dolazi samo u slučaju da određene sinkrone jedinice izađu iz pogona kako bi se sustavu omogućio prihvrat maksimalne proizvodnje električne energije iz OIE-eva. Izraz koji opisuje teoretski najvišu vrijednost ROCOF-a, u trenutku nastanka poremećaja $t=0+$, dobiven je eksplicitno u ovisnosti o ukupnoj inerciji sustava i veličini poremećaja te je dan izrazom (1.2) u uvodnom poglavlju, a ovdje će se napisati ponovo radi praktičnosti:

$$\text{ROCOF}_{t=0+}^{\text{max}} = \frac{df}{dt} = \frac{P_k}{2 \sum_{i=1, i \neq k}^N H_i \cdot S_i} f_n \quad (4.1)$$

pri čemu su: f_n [Hz] nazivna frekvencija, P_k [MW] veličina poremećaja koja može predstavljati gubitak tereta ili proizvodnje, k predstavlja broj generatora u slučaju gubitka, H_i [s] i S_i [MVA] su konstanta tromosti i prividna snaga sinkrone jedinice i . Slika 4.1 prikazuje ovisnost maksimalnog ROCOF-a o konstanti tromosti sustava za različite veličine poremećaja s obzirom na izraz (4.1). Može se primijetiti kako se vrijednost ROCOF-a značajno povećava uz smanjenje konstante tromosti te povećanje veličine poremećaja.



Slika 4.1: Ovisnost ROCOF-a o konstanti tromosti sustava i veličini poremećaja [59]

Izraz (4.1), kojim je opisana promjena ROCOF-a, vrlo je jednostavan te se može bez većih poteškoća analizirati odnos između udjela OIE-eva spojenih preko izmjenjivača na mrežu i ROCOF-a. Nažalost, to isto ne može se reći i za drugi parametar kvalitete frekvencijskog odziva, odnosno nadir frekvencije. Pokazano je da brojni faktori utječu na vrijednost maksimalnog odstupanja frekvencije od nazivne vrijednosti [61], pa tako, ne samo utjecaj fotonaponskih elektrana, nego i pojedinačni utjecaj svih ostalih elektrana u sustavu na maksimalno odstupanje frekvencije nije jednoznačno određen. Od iznimne je važnosti što točnije povezati vrijednost maksimalnog odstupanja frekvencije s parametrima sustava, odnosno elektrana, jer će to omogućiti operatoru sustava lakše upravljanje i podešavanje parametara regulacije frekvencije. Izraz (4.2), koji opisuje krivulju frekvencijskog odziva, dobiva se analizom blok sheme primarne regulacije frekvencije koja je dana na slici 2.2:

$$\Delta f(t) = \mathcal{L}^{-1} \left\{ \frac{P_L(s)}{2Hs + D + \sum_{i=1}^n \frac{1}{R_{Hi}} HE(s)_i + \sum_{i=1}^m \frac{1}{R_{Ti}} TE(s)_i + \sum_{i=1}^k \frac{1}{R_{OIEi}} OIE(s)_i} \right\} \quad (4.2)$$

pri čemu su: $HE(s)$, $TE(s)$ i $OIE(s)$ prijenosne jednadžbe hidroelektrane, termoelektrane i obnovljivih izvora energije, H je konstanta tromosti, D je ovisnost potrošnje o frekvenciji, P_L je veličina poremećaja, $R_{Hi, Ti, OIEi}$ su statičnosti pojedinih elektrana te \mathcal{L}^{-1} je inverzna Laplaceova transformacija.

Iako je krivulja frekvencijskog odziva dobro opisana s izrazom (4.2), problem se pojavljuje pri pokušaju dobivanja eksplicitnog izraza za nadir frekvencije. Da bi se dobio taj izraz, potrebno je dobivenu funkciju za $\Delta f(t)$ derivirati, izjednačiti s nulom te pronaći nultočku nastalog izraza. Vrlo brzo se pokaže da je već i za osnovni EES sa samo jednom elektranom praktički nemoguće takav izraz analitički riješiti, a pogotovo ne za slučaj dvije ili više različitih elektrana u sustavu. Upravo taj problem postao je motivacija istraživanja ove disertacije. Cilj je razviti aproksimaciju frekvencijskog odziva s kojom će se, s jedne strane, dovoljno točno aproksimirati vrijednost nadira frekvencije, a s druge strane, dobiti eksplicitna funkcija nadira frekvencije u ovisnosti o parametrima sustava. Dodatni cilj je da razvijena matematička formulacija bude primjenjiva na složene EES-eve sačinjene od različitih vrsta proizvodnih jedinica jer u stvarnosti gotovo da i ne postoje sustavi čiji proizvodni portfelj čini samo jedna vrsta elektrana. U nastavku poglavlja, razvit će se dvije metode za aproksimaciju frekvencijskog odziva:

1. *OFFLINE* metoda – aproksimacija frekvencijskog odziva izvan stvarnog vremena
2. *ONLINE* metoda - aproksimacija frekvencijskog odziva u stvarnom vremenu

Metoda aproksimacije frekvencijskog odziva izvan stvarnog vremena omogućiti će određivanje kritičnog trenutka tj. udjela penetracije FNE-a u sustavu nakon kojeg ih je potrebno uključiti da budu pripravne za potrebe sudjelovanja u regulaciji frekvencije tijekom poremećaja. Taj kritični udio ovisi o brojnim faktorima te se može analizirati za npr. različite proizvodne scenarije, različitu tromost sustava, najveći očekivani ispad proizvodnje/opterećenja, željenu vrijednost maksimalnog odstupanja frekvencije od nazivne vrijednosti i dr. S mogućnošću točne procjene kritičnog trenutka tj. udjela fotonaponskih elektrana, pouzdanost sustava se povećava. Osim toga, sustavu se omogućava prihvat dodatnih kapaciteta iz obnovljivih izvora energije, a operatoru sustava olakšava upravljanje regulacijom frekvencije.

Metoda aproksimacije frekvencijskog odziva u stvarnom vremenu omogućiti će razvoj upravljačkog algoritma za sudjelovanje FNE-a u regulaciji frekvencije u slučaju višestrukih uzastopnih poremećaja. S obzirom da ove elektrane mogu u vrlo kratkom roku injektirati dodatnu snagu u mrežu, onda jednako tako brzo mogu i obnoviti snagu rezerve. To pruža sustavu dodatnu razinu pouzdanosti jer ove elektrane postaju sposobne pružiti doprinos svakom od nekoliko uzastopnih poremećaja.

4.1 APROKSIMACIJA FREKVENCIJSKOG ODZIVA IZVAN STVARNOG VREMENA

Temeljna ideja razvoja ove vrste aproksimacije frekvencijskog odziva je uspostaviti matematički odnos između nadira frekvencije i parametara sustava kao što su konstanta tromosti, veličina poremećaja, razina snage rezerve FNE-a itd.

4.1.1 PREGLED DOSADAŠNJIH ISTRAŽIVANJA

Pregledom literature može se pronaći nekoliko metoda za dobivanje analitičkog izraza za funkcije nadira frekvencije [62]–[66]. U radu [62], eksplicitna funkcija za nadir frekvencije izvedena je za jednostrojni EES (engl. *single-machine power system*) koji se sastoji od termoelektrane s turbinom s pregrijavanjem pare (engl. *reheat steam turbine*). Na sličan način kao u radu [62] dobivena je eksplicitna funkcija za nadir frekvencije u slučaju višestrojnog EES-a (engl. *multi-machine power system*) [63]. U ovom se slučaju, također, EES sastoji samo od termoelektrane s turbinom s pregrijavanjem pare. Osim toga, da bi metoda u [63] bila izvediva, ključni preduvjeti su da su sve elektrane identične vrste i da su korišteni modeli elektrana jednostavni niskog reda (engl. *low-order model*). Model predstavljen u [64] uzima u obzir odzive različitih vrsta elektrana u sustavu, ali je ograničen na korištenje prijenosnih funkcija prvog reda (engl. *first-order transfer function*). Vrlo jednostavna metoda za određivanje nadira frekvencije kao funkcije parametara sustava predložena je u [65] uz pretpostavku da se proizvedena snaga tijekom primarne regulacije frekvencije može modelirati kao linearna funkcija. Navedeni rad, međutim, ne razmatra različite modele turbina. Istraživanje predstavljeno u [66] proširuje model višestrojnog EES-a korišten u [63] uključivanjem utjecaja energetske pretvarača. Iako ova metoda uzima u obzir različite vrste proizvodnih jedinica, izvedivost metode još uvijek zahtijeva korištenje modela turbina niskog reda.

Općenito, metode za dobivanje analitičke funkcije nadira frekvencije prikazane u literaturi mogu se klasificirati u dvije glavne skupine prema vrsti EES-a i korištenim modelima turbina:

- a) jednostrojni model EES-a s potpunim modelima turbine (engl. *full-order turbine model*);
- b) višestrojni model EES-a s jednostavnim modelima turbine niskog reda.

Dakle, izvođenje analitičke funkcije nadira frekvencije za višestrojni EES s potpunim modelima turbina dio je koji nije prisutan u literaturi. Stoga, dobivanje eksplicitne funkcije nadira frekvencije razvijenom metodom u ovoj disertaciji daje vrijedan doprinos.

4.1.2 APROKSIMACIJA FREKVENCIJSKOG ODZIVA TEMELJENA NA PARABOLIČNOJ FUNKCIJI

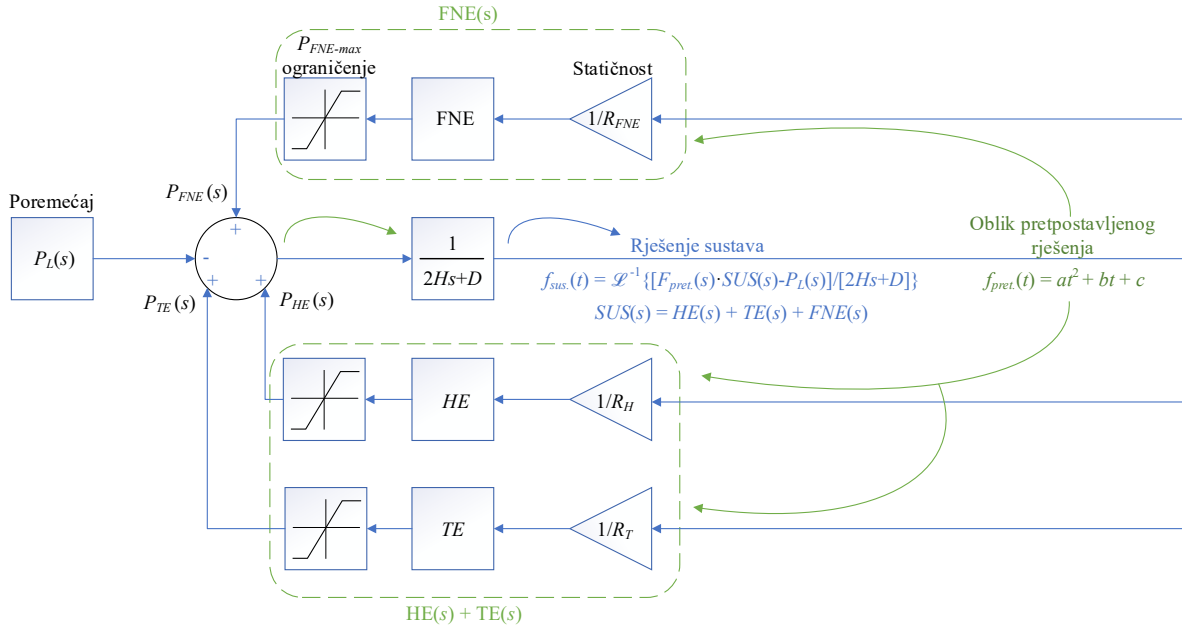
Novost ove metode je u tome što se može primijeniti na model višestrojnog EES-a koji se sastoji od različitih tipova proizvodnih jedinica te njeno korištenje na potpunim modelima turbina proizvodnih jedinica. Dodatno, metoda nije računski zahtjevna i pokazuje visok stupanj točnosti u usporedbi s vrijednostima dobivenim iz provedenih simulacija.

Uobičajeno, model EES-a s više strojeva prikladan za istraživanje i simulaciju frekvencijskog odziva izvodi se u Laplaceovoj s -domeni, izraz (4.2). Rješavanje jednadžbe (4.2) vrlo je zahtjevno te se može riješiti jedino numerički ako su poznati svi parametri. Da bi se dobila matematička funkcija nadira frekvencije u ovisnosti o parametrima sustava u vremenskoj domeni, potrebno je prvo razviti prikladnu aproksimaciju frekvencijskog odziva sustava nakon poremećaja. Razvijena aproksimacija frekvencijskog odziva temelji se na kvadratnoj funkciji tj. paraboli [1]. Ideja koja stoji iza aproksimacije parabolom proizlazi iz zapažanja da opća krivulja frekvencijskog odziva u dijelu $t=0$ (početak pada frekvencije) do $t=t_{nadir}$ nalikuje jednoj polovici parabolične krivulje (slika 1.2). Koncept parabolične aproksimacije frekvencijskog odziva prikazan je na slici 4.2. Važno je napomenuti da metoda nema ograničenja po broju uključenih proizvodnih jedinica kao ni po vrsti proizvodnih jedinica, iako je na slici 4.2 prikazan samo po jedan blok hidroelektrane, termoelektrane i fotonaponske elektrane radi jasnijeg prikaza.

Pod pretpostavkom da je rješenje diferencijalne jednadžbe koja predstavlja frekvencijski odziv sustava $f_{sus}(t)$ u obliku kvadratne funkcije $f_{pret.}(t)$, može se napisati:

$$f_{pret.}(t) = a \cdot t^2 + b \cdot t + c \quad (4.3)$$

pri čemu su: t vrijeme te a , b i c koeficijenti kvadratne jednadžbe.



Slika 4.2: Idejni koncept parabolične aproksimacije frekvencijskog odziva

Prema slici 4.2 slijedi:

$$f_{sus}(t) = \mathcal{L}^{-1} \left\{ [F_{pret}(s) \cdot [SUS(s)] - P_L(s)] \frac{1}{2H \cdot s + D} \right\} \quad (4.4)$$

$$SUS(s) = \sum_{i=1}^n HE(s)_i + \sum_{i=1}^m TE(s)_i + \sum_{i=1}^k FNE(s)_i \quad (4.5)$$

pri čemu je $F_{pret}(s)$ Laplaceova transformacija funkcije $f_{pret}(t)$.

Oblik pretpostavljenog rješenja u izrazu (4.3) je kvadratna funkcija za koju je potrebno odrediti koeficijente a , b i c . Budući da $f_{pret}(t)$ i $f_{sus}(t)$ predstavljaju isti odziv frekvencije, može se napisati:

$$f_{pret}(t) = f_{sus}(t) \quad (4.6)$$

Svaka kvadratna funkcija određena je s tri različite točke, stoga ubacivanjem tri različite vrijednosti t_1 , t_2 i t_3 umjesto t u (4.6), dobiva se sustav tri jednadžbe s tri nepoznanice a , b i c te takav sustav ima jedinstveno rješenje.

Kako bi se demonstrirala učinkovitost metode, frekvencijski odziv 1 GW EES-a aproksimirat će se paraboličnom funkcijom. Testni EES sastoji se od jedne termoelektrane snage $P_{TE1}=300$ MW te tri hidroelektrane snaga $P_{HE1}=250$ MW, $P_{HE2}=250$ MW i $P_{HE3}=200$ MW. Model hidroelektrane prikladan za dinamičku analizu regulacije frekvencije sastoji se od prijenosnih funkcija koje opisuju servo-motor dovodnog ventila, kompenzaciju tranzijentnog propada funkcije te hidroturbinu [67]:

$$HE(s) = \frac{1}{R_H} \cdot \frac{1}{1 + sT_G} \cdot \frac{1 + sT_R}{1 + s\left(\frac{R_T}{R_H}\right)T_R} \cdot \frac{1 - sT_W}{1 + 0.5sT_W} \quad (4.7)$$

pri čemu su: R_H [%] statičnost turbinskog regulatora, T_G [s] vremenska konstanta servomotora dovodnog ventila (engl. *main gate servomotor constant*), T_R [s] vrijeme kompenzacije tranzijentnog propada (engl. *reset time*), R_T privremeni propad funkcije (engl. *temporary droop*) te T_W [s] nadomjesna vremenska konstanta turbine i dovodnog sustava (engl. *water starting time*).

Model termoelektrane prikladan za dinamičku analizu regulacije frekvencije sastoji se od prijenosnih funkcija koje opisuju regulator brzine vrtnje te turbinu [67]:

$$TE(s) = \frac{1}{R_T} \cdot \frac{1}{1 + sT_G} \cdot \frac{1 + sF_{HP}T_{RH}}{(1 + sT_{CH})(1 + sT_{RH})} \quad (4.8)$$

pri čemu su: R_T [%] statičnost turbinskog regulatora, T_G [s] vremenska konstanta servomotora (engl. *main gate servomotor constant*), T_{RH} [s] vremenska konstanta dogrijavanja (engl. *reheat time constant*), T_{CH} [s] udarna vremenska konstanta (engl. *charging time constant*) te F_{HP} dio izlazne snage turbine koja se razvija unutar cilindra pri upravljanju uz pomoć upravljačkog ventila (engl. *fraction of turbine power*).

Parametri modela termoelektrane i hidroelektrane korišteni pri simulaciji frekvencijskog odziva testnog EES-a dani su u tablici 4.1.

Tablica 4.1: Parametri modela termoelektrane i hidroelektrana

Parametar	HE1	HE2	HE3	TE1
Nazivna snaga	250 MW	250 MW	200 MW	300 MW
Konstanta tromosti H	5 s	4 s	4 s	6 s
Statičnost $R_{H,T}$	5%	5%	5%	5%
Vremenska konstanta T_G	0.2 s	0.2 s	0.2 s	0.2 s
Vremenska konstanta T_R	6 s	6.5 s	7 s	-
Konstanta R_T	0.5	0.5	0.5	-
Vremenska konstanta T_W	1.05 s	1.10 s	1.00 s	-
Vremenska konstanta T_{RH}	-	-	-	7 s
Vremenska konstanta T_{CH}	-	-	-	0.25 s
Konstanta F_{HP}	-	-	-	0.35

Ubacivanjem vrijednosti $t_1=0.1$, $t_2=2.2$ i $t_3=3.2$ (algoritam za odabir vrijednosti za t_1 , t_2 i t_3 dan je u narednom poglavlju) u (4.6) uz parametre $H=5$ i $P_L=0.05$ te rješavanjem sustava tri jednadžbe s tri nepoznanice, dobivaju se koeficijenti kvadratne funkcije:

$a=0.000820$, $b=-0.006077$, $c=0.000098$. Ubacivanjem dobivenih koeficijenata u izraz (4.3), dobiva se kvadratna funkcija odstupanja frekvencije od nazivne vrijednosti u jediničnim vrijednostima.:

$$\Delta f(t) = 0,00082t^2 - 0,006077t + 0,000098 \quad (4.9)$$

Kvadratna funkcija frekvencije sustava izražena u Hz može se dobiti preko izraza (4.10):

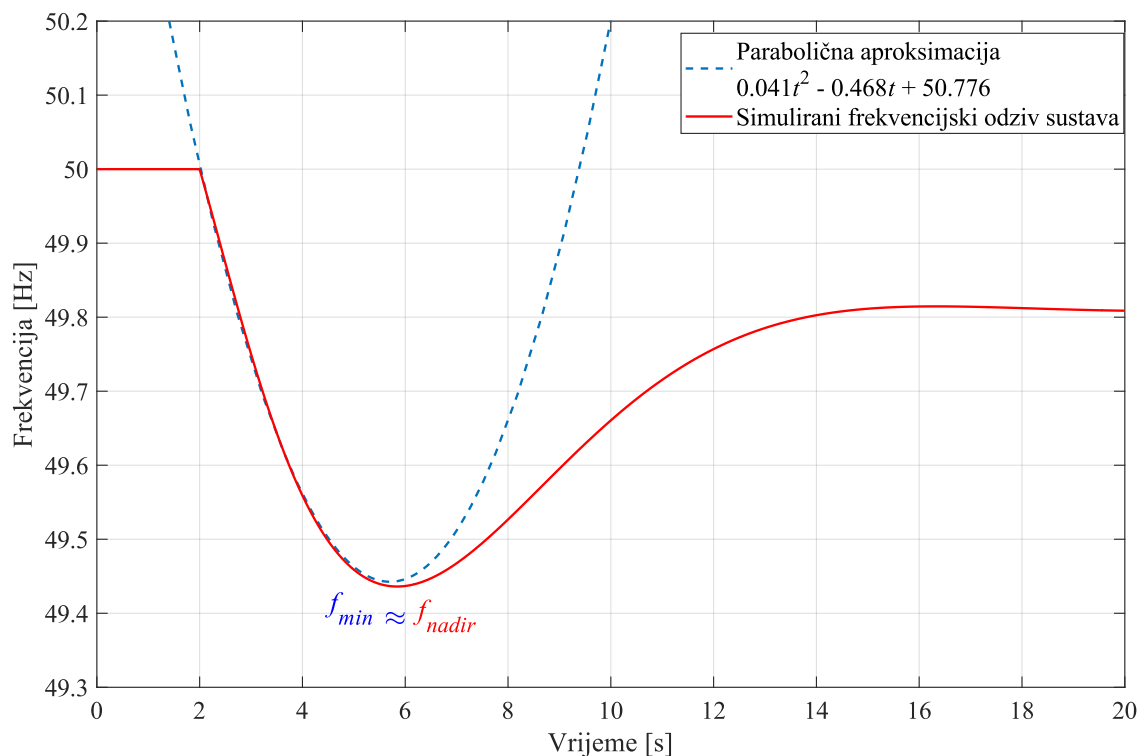
$$f(t) = [\Delta f(t) + 1] \cdot f_n \quad (4.10)$$

pri čemu je f_n [Hz] nazivna frekvencija sustava.

Nakon što je frekvencija sustava dobivena u obliku kvadratne funkcije, nadir frekvencije se lako pronalazi koristeći poznatu formulu za minimum parabole:

$$f_{nadir} = f_{min} = \left(c - \frac{b^2}{4a} + 1\right) \cdot f_n \quad (4.11)$$

Za evaluaciju točnosti metode parabolične aproksimacije frekvencijskog odziva koristi se simulacijski model razvijen u MATLAB-u jer stvarni podaci i mjerenja nadležnog operatera sustava nisu lako dostupni. Slika 4.3 prikazuje usporedbu simuliranog frekvencijskog odziva sustava i dobivene parabolične aproksimacije. Nazivna frekvencija sustava f_n je 50 Hz.



Slika 4.3: Frekvencijski odziv aproksimiran parabolom

Potrebno je napomenuti da je jednadžba parabole na slici 4.3 dobivena translacijom jednadžbe iz izraza (4.10) za dva u desno jer je u simulaciji vrijeme poremećaja postavljeno na 2. sekundu. S obzirom da je glavni cilj razvoja kvadratne funkcije frekvencijskog odziva aproksimacija nadira frekvencije, promatrajući sliku 4.3 vidi se da parabola gotovo savršeno prati krivulju frekvencijskog odziva do trenutka nadira frekvencije što demonstrira visoku učinkovitost metode. Radi izbjegavanja zabune, minimum dobivene kvadratne jednadžbe označen je kao f_{min} , a minimum simuliranog odziva frekvencije sustava označen je kao f_{nadir} .

Dodatno, usporedba vrijednosti nadira frekvencije f_{nadir} dobivenog provedbom simulacije modela te izračunate minimalne vrijednosti kvadratne funkcije f_{min} prikazana je u tablici 4.2 za različite vrijednosti H . Za tipične vrijednosti konstante tromosti sustava ($H=3$ s do $H=8$ s), f_{min} odstupanja od f_{nadir} manja su od 0,01 Hz što je praktički zanemarivo.

Tablica 4.2: Usporedba vrijednosti f_{min} i f_{nadir}

$P_L = 0.05$ pu		
Konstanta tromosti sustava H	Minimum parabole f_{min}	Minimum iz simulacije f_{nadir}
$H = 1$ s	48.817 Hz	48.617 Hz
$H = 2$ s	49.141 Hz	49.125 Hz
$H = 3$ s	49.299 Hz	49.295 Hz
$H = 4$ s	49.387 Hz	49.382 Hz
$H = 5$ s	49.441 Hz	49.436 Hz
$H = 6$ s	49.478 Hz	49.474 Hz
$H = 7$ s	49.505 Hz	49.502 Hz
$H = 8$ s	49.525 Hz	49.524 Hz
$H = 9$ s	49.541 Hz	49.542 Hz
$H = 10$ s	49.554 Hz	49.558 Hz

4.1.3 ALGORITAM ZA ODABIR TRIJU TOČKI KVADRATNE FUNKCIJE

Iako vrijednosti t_1 , t_2 i t_3 ne mogu biti u potpunosti proizvoljno odabrane, postoji mnogo setova validnih trojki (t_1 , t_2 , t_3) koji daju zadovoljavajuće rezultate. Prije svega, s obzirom da parabola uglavnom aproksimira dio frekvencijske krivulje koja pripada inercijskom odzivu, a koji traje od 0 do nekoliko sekundi [68], vrijednosti za t_1 , t_2 i t_3 treba uzeti iz tog intervala. Dodatno, vrijednosti t_1 , t_2 i t_3 su permutabilne, što znači da ako su odabrane vrijednosti npr. $t_1=1$, $t_2=2$, $t_3=3$ valjani triplet, tada su sljedeće permutirane vrijednosti također valjane: $t_1=2$, $t_2=3$, $t_3=1$ ili $t_1=3$, $t_2=1$, $t_3=2$ itd.

Algoritam za određivanje točki t_1 , t_2 i t_3 provodi se u dvije faze kroz nekoliko koraka:

Faza 1: određivanje točki t_1 i t_3

1. korak: proizvoljni odabir vrijednosti t_1 iz intervala 0 do 4 te ubacivanje odabrane vrijednosti u izraz (4.6). U ovom slučaju, vrijednost $t_1=0.1$ je odabrana:

$$t_1=0.1 \quad \rightarrow \quad \text{izraz (4.6) (uz } H=3, P_L=0.05) \quad \Rightarrow \quad f_1(a, b, c) = \text{konst.}$$

2. korak: proizvoljni odabir nekoliko vrijednosti za t_2 ($t_2 \neq t_1$) te ubacivanje odabranih vrijednosti u izraz (4.6) i za svaku od njih dobiti drugu funkciju $f_{2k}(a, b, c) = \text{konst.}$, $k=1, 2, 3 \dots n$:

$$t_{21}=1.5 \quad \rightarrow \quad \text{izraz (4.6) (uz } H=3, P_L=0.05) \quad \Rightarrow \quad f_{21}(a, b, c) = \text{konst.}$$

$$t_{22}=2 \quad \rightarrow \quad \text{izraz (4.6) (uz } H=3, P_L=0.05) \quad \Rightarrow \quad f_{22}(a, b, c) = \text{konst.}$$

$$t_{23}=2.5 \quad \rightarrow \quad \text{izraz (4.6) (uz } H=3, P_L=0.05) \quad \Rightarrow \quad f_{23}(a, b, c) = \text{konst.}$$

3. korak: ubaciti $t=t_3$ u izraz (4.6) te dobiti treću funkciju $f_3(a, b, c, t_3) = \text{konst.}$:

$$t=t_3 \quad \rightarrow \quad \text{izraz (4.6) (uz } H=3, P_L=0.05) \quad \Rightarrow \quad f_3(a, b, c, t_3) = \text{konst.}$$

4. korak: riješiti sustav triju jednadžbi f_1, f_{2k} i f_3 za svaki $k=1, 2, 3 \dots n$ te kao rezultat dobiti koeficijente a, b, c u ovisnosti o t_3 :

$$k=1 \quad \rightarrow \quad (f_1, f_{21}, f_3) \quad \Rightarrow \quad a(t_3), b(t_3), c(t_3)$$

$$k=2 \quad \rightarrow \quad (f_1, f_{22}, f_3) \quad \Rightarrow \quad a(t_3), b(t_3), c(t_3)$$

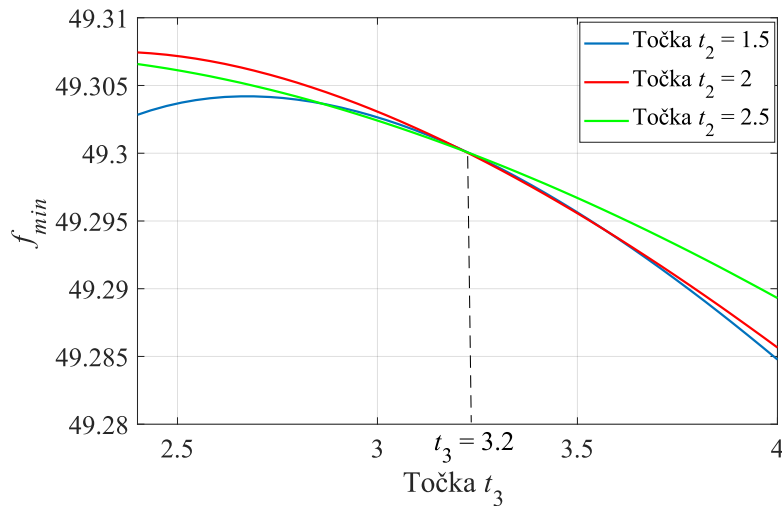
$$k=3 \quad \rightarrow \quad (f_1, f_{23}, f_3) \quad \Rightarrow \quad a(t_3), b(t_3), c(t_3)$$

5. korak: koristeći $a(t_3), b(t_3)$ i $c(t_3)$ svaki $k=1, 2, 3 \dots n$ dobiti funkciju minimuma parabole u ovisnosti o t_3 :

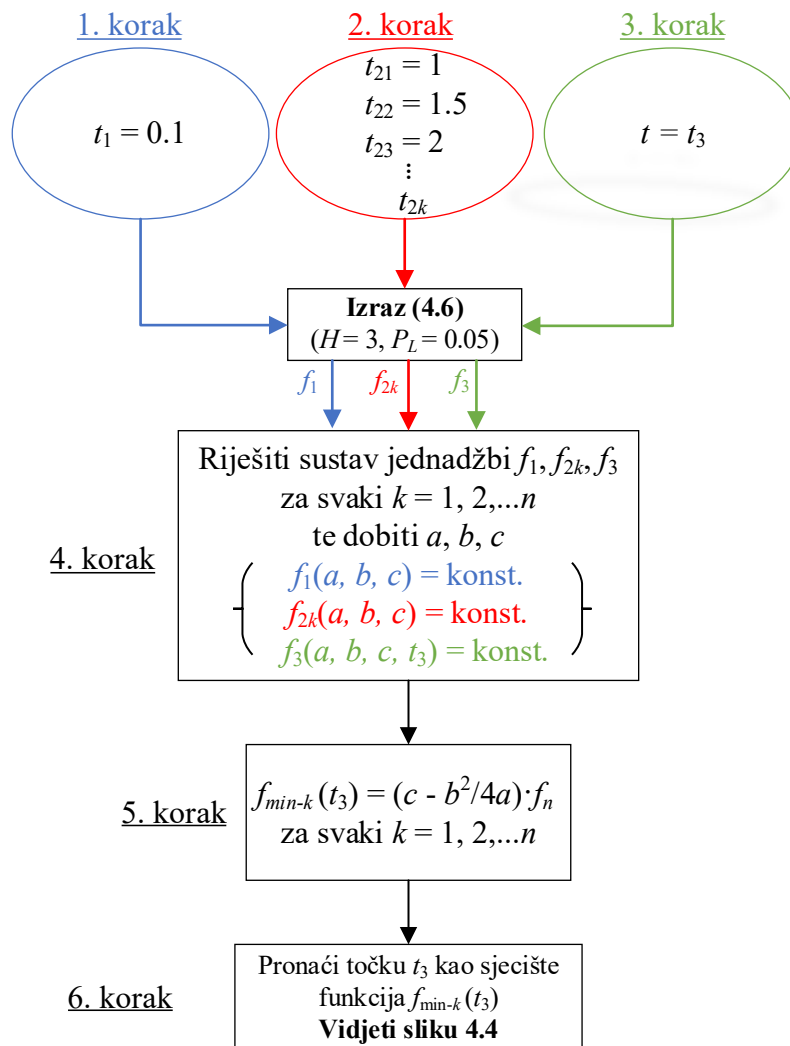
$$f_{\min-k}(t_3) = \left(c - \frac{b^2}{4a} + 1 \right) \cdot f_n$$

6. korak: pronaći vrijednost t_3 kao sjecište funkcija $f_{\min-k}(t_3)$ za svaki $k=1, 2, 3 \dots n$ (vidjeti sliku 4.4). U analiziranom slučaju, točka $t_3=3.2$ je dobivena.

Dijagram toka za fazu 1 algoritma dan je na slici 4.5.



Slika 4.4: Proces određivanja točke t_3



Slika 4.5: Faza 1 algoritma za određivanje točki t_1 i t_3 – dijagram toka

Faza 2:

Nakon što su određene točke $t_1=0.1$ i $t_3=3.2$, preostaje još odrediti točku t_2 na sljedeći način:

1. korak: dobiti funkciju f_1 :

$$t_1=0.1 \quad \rightarrow \quad \text{Izraz (4.6) (uz } H=H, P_L=0.05) \Rightarrow f_2(a, b, c, H, t_2) = \text{konst.}$$

2. korak: dobiti funkciju f_2 :

$$t=t_2 \quad \rightarrow \quad \text{Izraz (4.6) (uz } H=H, P_L=0.05) \Rightarrow f_2(a, b, c, H, t_2) = \text{konst.}$$

3. korak: dobiti funkciju f_3 :

$$t_3=3.2 \quad \rightarrow \quad \text{Izraz (4.6) (uz } H=H, P_L=0.05) \Rightarrow f_2(a, b, c, H, t_2) = \text{konst.}$$

4. korak: riješiti sustav triju jednažbi f_1, f_2 i f_3 te dobiti koeficijente a, b i c u ovisnosti o t_2 i H :

$$f_1(a, b, c, H) = \text{konst.}$$

$$f_2(a, b, c, H, t_2) = \text{konst.} \quad \Rightarrow \quad a(t_2, H), b(t_2, H), c(t_2, H)$$

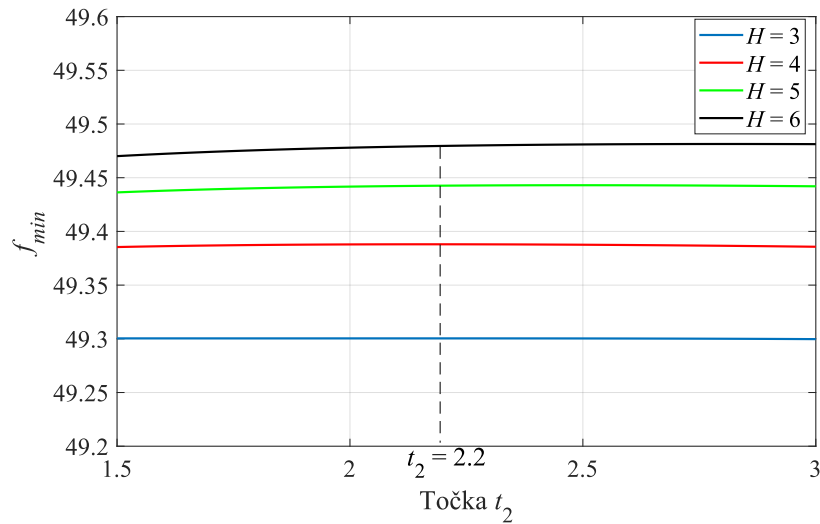
$$f_3(a, b, c, H) = \text{konst.}$$

5. korak: koristeći dobivene koeficijente $a(t_2, H), b(t_2, H)$ i $c(t_2, H)$ dobiti funkciju minimuma parabole u ovisnosti o t_2, H :

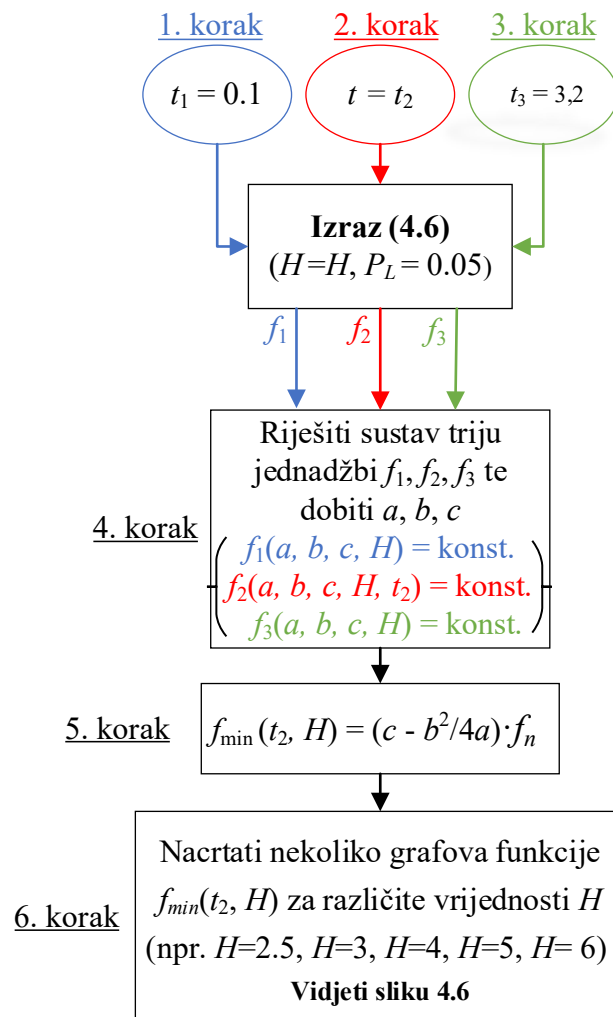
$$f_{\min}(t_2, H) = (c - \frac{b^2}{4a} + 1) \cdot f_n$$

6. korak: nacrtati nekoliko grafova funkcije $f_{\min}(t_2, H)$ za različite vrijednosti H npr. $H=3, H=4, H=5, H=6$ (vidjeti sliku 4.6). Pronaći interval vrijednosti za t_2 u kojem su vrijednosti funkcija $f_{\min}(t_2, H)$ približno konstante. U analiziranom slučaju prikazanom na slici 4.6, vidljivo je da u intervalu od 1,5 do 3 ne dolazi do većih promjena svih funkcija $f_{\min}(t_2, H)$. Prema tome, za točku t_2 odabire se vrijednost iz sredine intervala tj. $t_2=2,2$. U slučaju da ne postoji interval točki t_2 pri kojima su vrijednosti različitih funkcija $f_{\min}(t_2, H)$ približno konstante, odnosno u slučaju da vrijednost f_{\min} značajno oscilira za razne točke t_2 , to znači da ne postoji validan set trojki $(t_1, t_2$ i $t_3)$ u kojem je $t_1=0.1$. Tada treba odabrati drukčiju početnu vrijednost za t_1 te ponoviti proces.

Dijagram toka za fazu 2 algoritma dan je na slici 4.7.



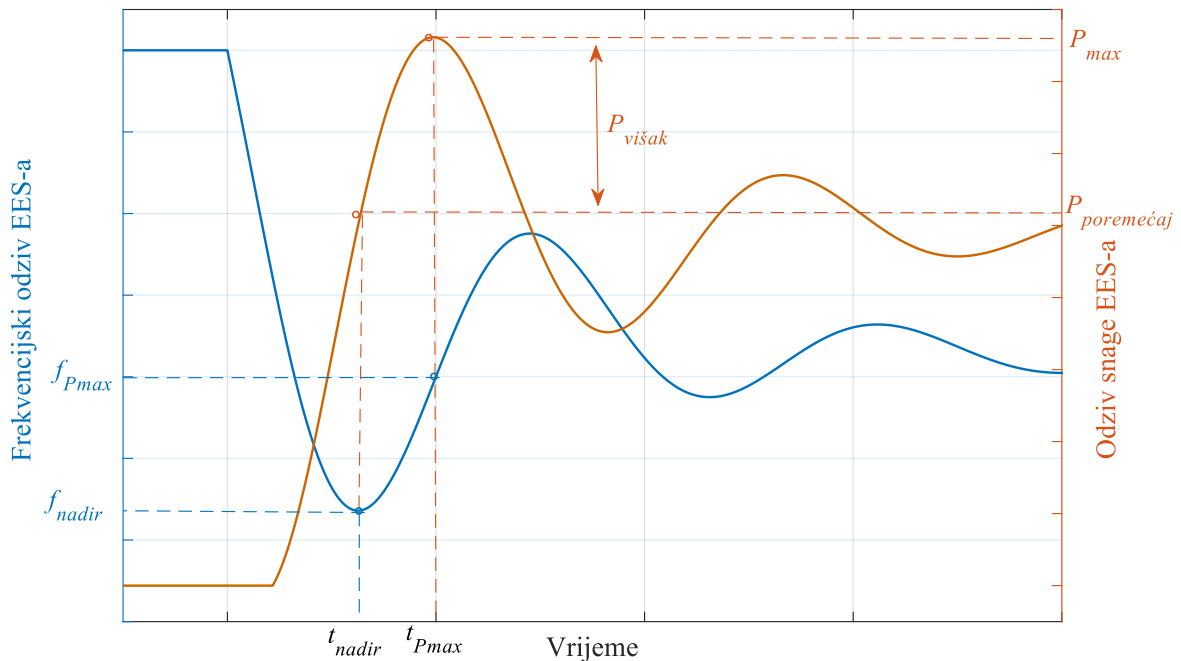
Slika 4.6: Proces određivanja točke t_2



Slika 4.7: Faza 2 algoritma za određivanje točke t_2 – dijagram toka

4.2 APROKSIMACIJA FREKVENCIJSKOG ODZIVA U STVARNOM VREMENU

Razvoj aproksimacije frekvencijskog odziva u stvarnom vremenu omogućuje unaprijed procjenu ponašanja krivulje frekvencijskog odziva, što je korisno za određene algoritme upravljanja FNE-ima. Kada bi se mogla točno procijeniti vrijednost npr. nadira frekvencije prije nego frekvencija zaista i dostigne tu vrijednost, u tom slučaju moglo bi se u stvarnom vremenu podešavati svojstva podfrekvencijskog rasterećenja kako bi se postiglo optimalno djelovanje [69]. Ovdje razvijena metoda aproksimacije omogućuje, uz točku nadira frekvencije f_{nadir} , procjenu još jedne točke frekvencijskog odziva, točke trenutka maksimalnog viška snage u sustavu f_{Pmax} , slika 4.8. Točka f_{Pmax} koristit će kao trenutak aktivacije algoritma upravljanja FNE-om za slučaj lančanih poremećaja. Detaljnije o samom algoritmu nalazi se u 6. poglavlju ove disertacije.



Slika 4.8: Tipični frekvencijski odziv (plavo) i odziv snage EES-a (narančasto) uslijed iznenadnog gubitka proizvodnje ili povećanja potrošnje

4.2.1 PREGLED DOSADAŠNJIH ISTRAŽIVANJA

Radovi koji se bave matematičkom analizom frekvencijskog odziva EES-a uglavnom su fokusirani na dobivanje aproksimativne vrijednosti nadira frekvencije [1] ili eksplicitnog izraza [63]. U tom smislu, razvijena metoda u ovoj disertaciji proširuje prethodna istraživanja

fokusirana na točku ekstrema frekvencijskog odziva tj. f_{nadir} s istraživanjem točke ekstrema odziva snage EES-a tj. f_{Pmax} i t_{Pmax} . Metoda se temelji na mjerenjima frekvencije. Razvojem uređaja za sinkronizirano mjerenje phasora PMU (engl. *Phasor Measurement Units*) omogućilo je koordinaciju lokalnih mjerenja frekvencije u određenim točkama sustava kako bi se dobila slika globalne frekvencije. Koncept centar inercije CoI (engl. *Center of Inertia*) najčešći je korišten način za opisivanje globalne frekvencije EES-a [70].

Različite tehnike predstavljene su u literaturi za dobivanje CoI frekvencijske krivulje. U [71], predstavljen je način aproksimacije frekvencijskog odziva polinomom 5. stupnja te je metoda primijenjena na frekvencijski odziv EES-a Velike Britanije kako bi se pokazala učinkovitost. Stupanj polinoma za koji se dobiva zadovoljavajuća točnost aproksimacije frekvencijskog odziva ovisi o duljini intervala odziva koji se želi aproksimirati. Općenito, što je duži interval frekvencijske krivulje koja se želi aproksimirati, to je potrebniji veći stupanj polinoma. Iz tog razloga, u radu [72], razvijena je metoda aproksimacije frekvencijskog odziva s polinomom promjenjivog stupnja. U slučaju aproksimacije ROCOF-a, može se čak koristiti polinom prvog reda, tj. linearna funkcija [73] jer je promatrani interval za ROCOF kraći od jedne sekunde. Ove metode koje se temelje na polinomima točne su i učinkovite, međutim koristeći njih ne može se dobiti matematička relacija koja povezuje točke f_{nadir} i f_{Pmax} .

Osim metoda koje se temelje na polinomskoj aproksimaciji, postoje metode u literaturi koje su temeljene na PMU mjerenjima i uobičajeno nekim dodatnim podacima vezanim uz EES. Tako metoda predstavljena u [74], uz PMU mjerenja, zahtijeva i poznavanje matrice admitancija mreže. U radu [75], dodatni parametar koji se zahtijeva kako bi metoda bila izvedljiva je veličina poremećaja, dok metoda u [76] kao ulazni parametar zahtijeva brojne parametre generatora. Uz dostupne dodatne podatke, sve navedene metode veoma su točne u aproksimaciji frekvencijskog odziva.

4.2.2 APROKSIMACIJA FREKVENCIJSKOG ODZIVA TEMELJENA NA EKSPONENCIJALNO PRIGUŠENOJ SINUSOIDI

Za razliku od metoda predstavljenih u pregledu literature, ova metoda ne zahtijeva visoku točnost aproksimacije frekvencijskog odziva duž cijelog intervala trajanja, nego samo točne aproksimacije vrijednosti frekvencije u točkama f_{nadir} i f_{Pmax} [2]. Stoga, za izvedivost metode dovoljna su samo PMU mjerenja dok poznavanje dodatnih parametara mreže nije potrebno. Za dobivanje matematičke relacije koja povezuje f_{nadir} i f_{Pmax} , potrebno je definirati izraz koji opisuje dinamiku proizvodnje sustava tijekom poremećaja. Pozivajući se na sliku 2.2 koja

predstavlja blok shemu modela za analizu primarne regulacije frekvencije, može se napisati sljedeća relacija temeljena na jednadžbi njenja u Laplace domeni (engl. swing equation):

$$f(s) = \sum_{i=1}^n E_i(s) = P_g(s) = 2H \cdot s \cdot f(s) + \Delta P_L(s) + D \cdot f(s) \quad (4.12)$$

pri čemu su: $E_i(s)$ dinamika elektrana u Laplace domeni, n je broj elektrana u sustavu, $P_g(s)$ je ukupna proizvodnja sustava, $\Delta P_L(s)$ je step poremećaj.

Primjenom inverzne Laplaceove transformacije na (4.12), dobiva se izraz (4.13) koji predstavlja odziv proizvodnje snage sustava u vremenskoj domeni:

$$P_g(t) = 2H \cdot f'(t) + \Delta P_L(t) + D \cdot f(t) \quad (4.13)$$

Točka f_{Pmax} predstavlja ekstrem funkcije $P_g(t)$, stoga može se pronaći derivirajući izraz (4.13) te izjednačavanjem nastalog izraza s nulom:

$$P'_g(t) = 2H \cdot f''(t) + D \cdot f'(t) = 0 \quad (4.14)$$

Rješavanjem (4.14) dobiva se točka t_{Pmax} pomoću koje se konačno dobiva tražena točka f_{Pmax} :

$$f_{Pmax} = f(t_{Pmax}) \quad (4.15)$$

Općenito, egzaktni oblik funkcije frekvencije $f(t)$ dobiva se rješavanjem ranije spomenute diferencijalne jednadžbe (4.2) koja opisuje dinamiku frekvencije sustava. Uz poznavanje parametara EES-a, moguće je iz (4.2) i za složenije sustave dobiti eksplicitni oblik funkcije frekvencije $f(t)$, ali takav izraz sastoji se od mnogobrojnih članova te je jednostavno neprimjenjiv za daljnje izračune. Stoga, potrebno je definirati oblik funkcije frekvencije $f(t)$ koji će, s jedne strane, biti pogodan za izračun točki f_{nadir} i f_{Pmax} , a s druge strane, dovoljno točno aproksimirati krivulju frekvencije. U tu svrhu, koristi se funkcija eksponencijalno prigušene sinuoside za opis funkcije $f(t)$:

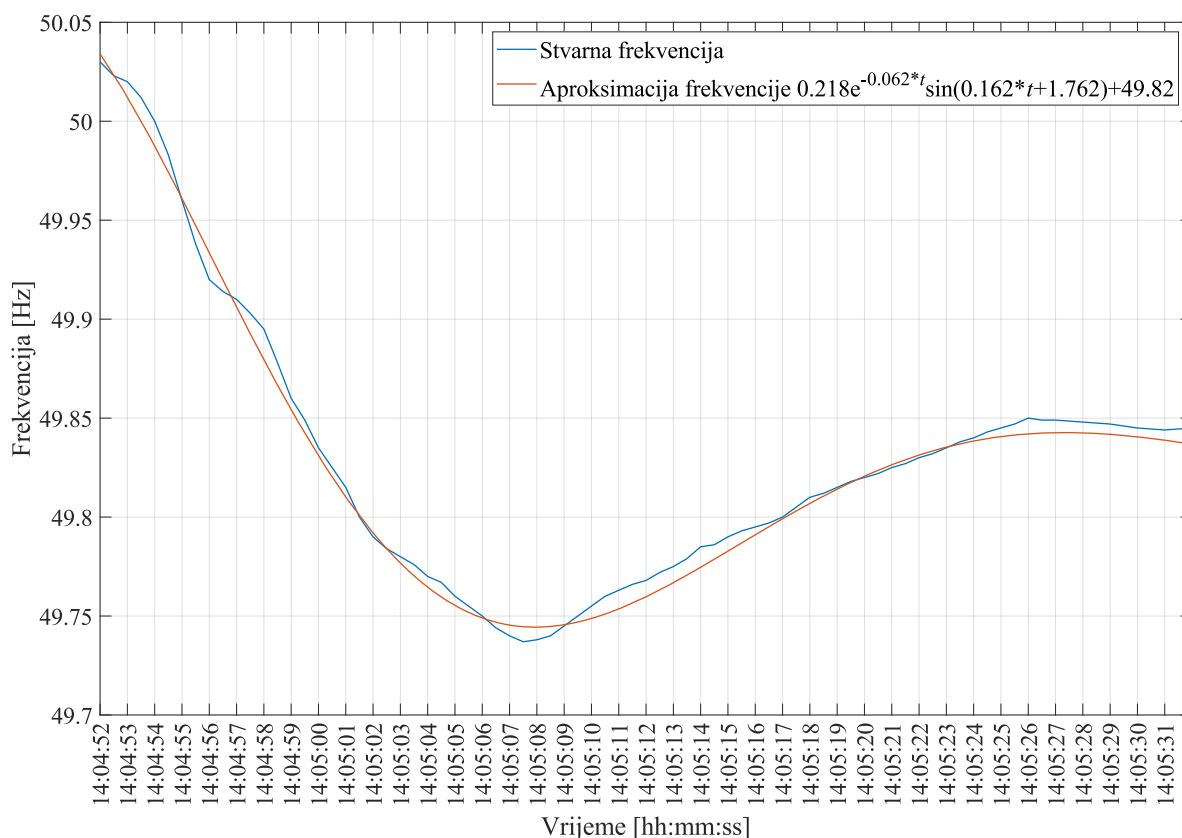
$$f(t) = A \cdot e^{-b \cdot t} \cdot \sin(w \cdot t + c) + d \quad (4.16)$$

pri čemu su A , b , w , c i d koeficijenti funkcije.

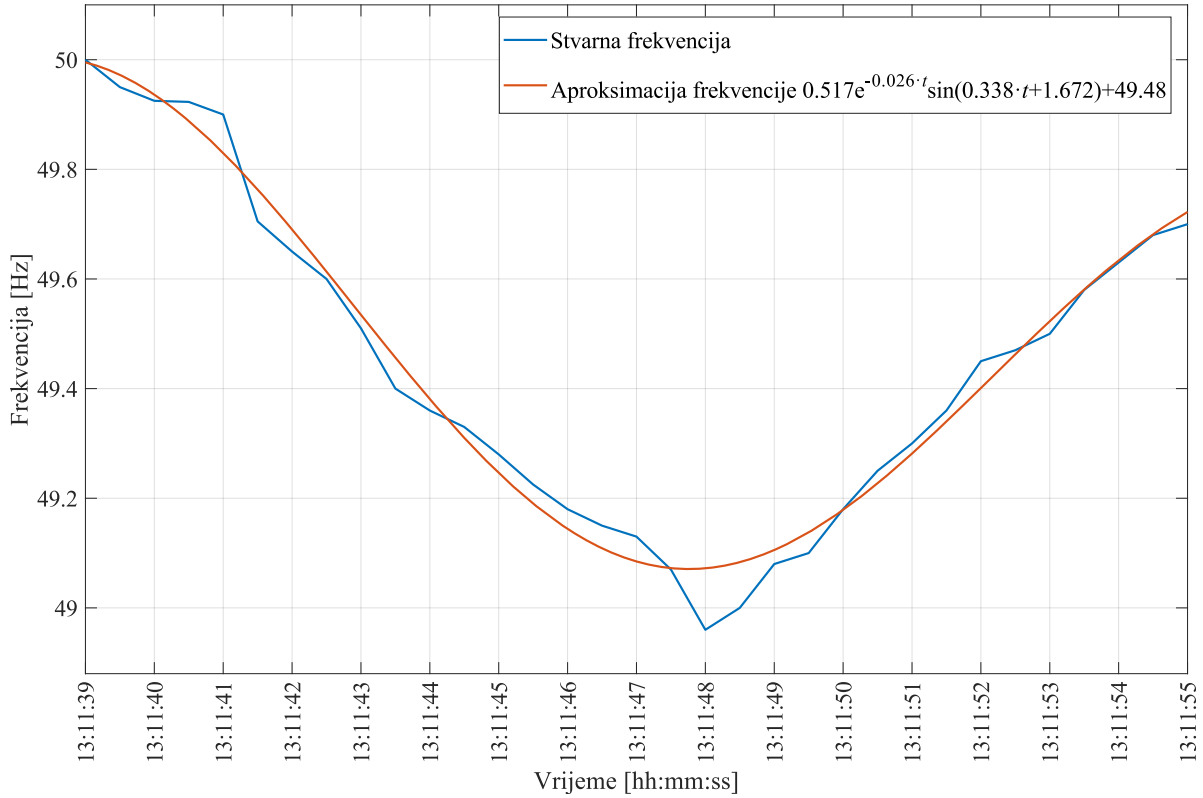
Ideja za ovakav oblik funkcije proizlazi iz opažanja da se opća krivulja frekvencijskog odziva (slika 4.8) ponaša kao eksponencijalno prigušena sinusoida. Osim toga, ako bi se EES na slici 2.2 modelirao kao jednostrojni EES koji se sastoji od samo jedne termoelektrane s turbinom s pregrijavanjem pare, kao što je to učinjeno u nekim radovima poput [62], tada bi funkcija frekvencijskog odziva tog sustava bila upravo eksponencijalno prigušena sinusoida.

Učinkovitost i točnost aproksimacije frekvencijskog odziva s funkcijom u (4.16) demonstrirana je na stvarnim frekvencijskim odzivima prikazanim na slikama 4.9 i 4.10. Slika 4.9 prikazuje aproksimaciju frekvencijskog odziva uslijed poremećaja koji se dogodio

8.1.2021. godine u Ernestinovu tijekom kojega je sinkrono područje kontinentalne Europe (engl. Continental Europe Synchronous Area) razdvojeno na dva dijela. U jugozapadnom sinkronom području koje je nastalo tijekom razdvajanja došlo je do manjka snage uslijed čega je frekvencija pala do najniže vrijednosti $f_{nadir}=49.74$ Hz [77]. Na slici 4.10, aproksimiran je frekvencijski odziv u području države Viktorije u Australiji. Uslijed poremećaja koji se dogodio 25.8.2018. godine došlo je do razdvajanja sinkronih područja država Queensland i Novog Južnog Walesa te razdvajanja sinkronih područja Južne Australije i Viktorije [78]. Najniža zabilježena frekvencija tijekom poremećaja u Viktoriji iznosila je $f_{nadir}=48.98$ Hz. Na obje navedene slike, plava boja predstavlja stvarnu mjerenu frekvenciju, dok narančasta boja predstavlja aproksimaciju stvarne frekvencije s eksponencijalno prigušenom sinusoidom. Iako je, u slučaju poremećaja u Australiji, uslijed pada frekvencije ispod 49.00 Hz aktivirano podfrekvencijsko rasterećenje koje unosi potpuno novu dinamiku (u izrazu (4.12) potrebno modelirati podfrekvencijsko rasterećenje) i mijenja trajektoriju frekvencije, aproksimacija pokazuje ipak zadovoljavajuću točnost. U Ernestinovu nije došlo do aktivacije podfrekvencijskog rasterećenja te stoga aproksimacija pokazuje veću točnost.



Slika 4.9: Frekvencija tijekom poremećaja u Ernestinovu 8.1.2021. godine i njena aproksimacija



Slika 4.10: Frekvencija tijekom poremećaja u Australiji 25.8.2018. godine i njena aproksimacija

S obzirom da je glavni cilj razvijene aproksimacije dobiti relaciju između točki f_{nadir} i f_{Pmax} , potrebno je pronaći egzaktno izraze za navedene točke. Izjednačavanjem prve derivacije izraza (4.16) s nulom, dobivaju se točke f_{nadir} i t_{nadir} :

$$f'(t) = 0 \rightarrow \tan(w \cdot t_{nadir} + c) = \frac{w}{b} \quad (4.17)$$

$$f(t_{nadir}) = f_{nadir} = A \cdot e^{-\frac{b}{w} [\arctan(\frac{w}{b}) - c]} \cdot \frac{w}{\sqrt{w^2 + b^2}} + d \quad (4.18)$$

Nadalje, uvrštavanjem izraza (4.16) u (4.14) te rješavanjem nastale jednadžbe, dobiva se točka t_{Pmax} . Uvrštavanjem točke t_{Pmax} u izraz (4.16) dobiva se točka f_{Pmax} :

$$2H \cdot f''(t) = 0 \rightarrow \tan\left(\frac{w \cdot t_{Pmax} + c}{2}\right) = \frac{w}{b} \quad (4.19)$$

$$f(t_{Pmax}) = f_{Pmax} = A \cdot e^{-\frac{b}{w} [2 \cdot \arctan(\frac{w}{b}) - c]} \cdot \frac{2 \cdot b \cdot w}{w^2 + b^2} + d \quad (4.20)$$

Napomena, izračuni provedeni kroz (4.19) i (4.20) izvršeni su uz vrijednost parametra $D=0$ u (4.14) radi pojednostavljenja nastalog izraza. Uobičajena vrijednost D je mala, od 0 do 2 [63] i ne utječe značajnije na vrijednost točki t_{Pmax} i f_{Pmax} .

Konačno, kombiniranjem izraza (4.18) i (4.20) dobiva se matematički izraz koji povezuje točke f_{Pmax} i f_{nadir} :

$$\frac{f_{Pmax} - d}{f_{nadir} - d} = 2 \cdot e^{-\frac{b}{w} \arctan(\frac{w}{b})} \cdot \frac{b}{\sqrt{w^2 + b^2}} \quad (4.21)$$

Uvođenjem novog parametra x umjesto w/b slijedi:

$$\frac{f_{Pmax} - d}{f_{nadir} - d} = 2 \cdot e^{-\frac{1}{x} \arctan(x)} \cdot \frac{1}{\sqrt{1+x^2}} \quad (4.22)$$

Najveća i najmanja vrijednost izraza (4.22) postiže se u limesu kada x teži u nulu, odnosno beskonačno:

$$\lim_{x \rightarrow 0} (2 \cdot e^{-\frac{1}{x} \arctan(x)} \cdot \frac{1}{\sqrt{1+x^2}}) = \frac{2}{e} \approx 0,735 \quad (4.23)$$

$$\lim_{x \rightarrow +\infty} (2 \cdot e^{-\frac{1}{x} \arctan(x)} \cdot \frac{1}{\sqrt{1+x^2}}) = 0 \quad (4.24)$$

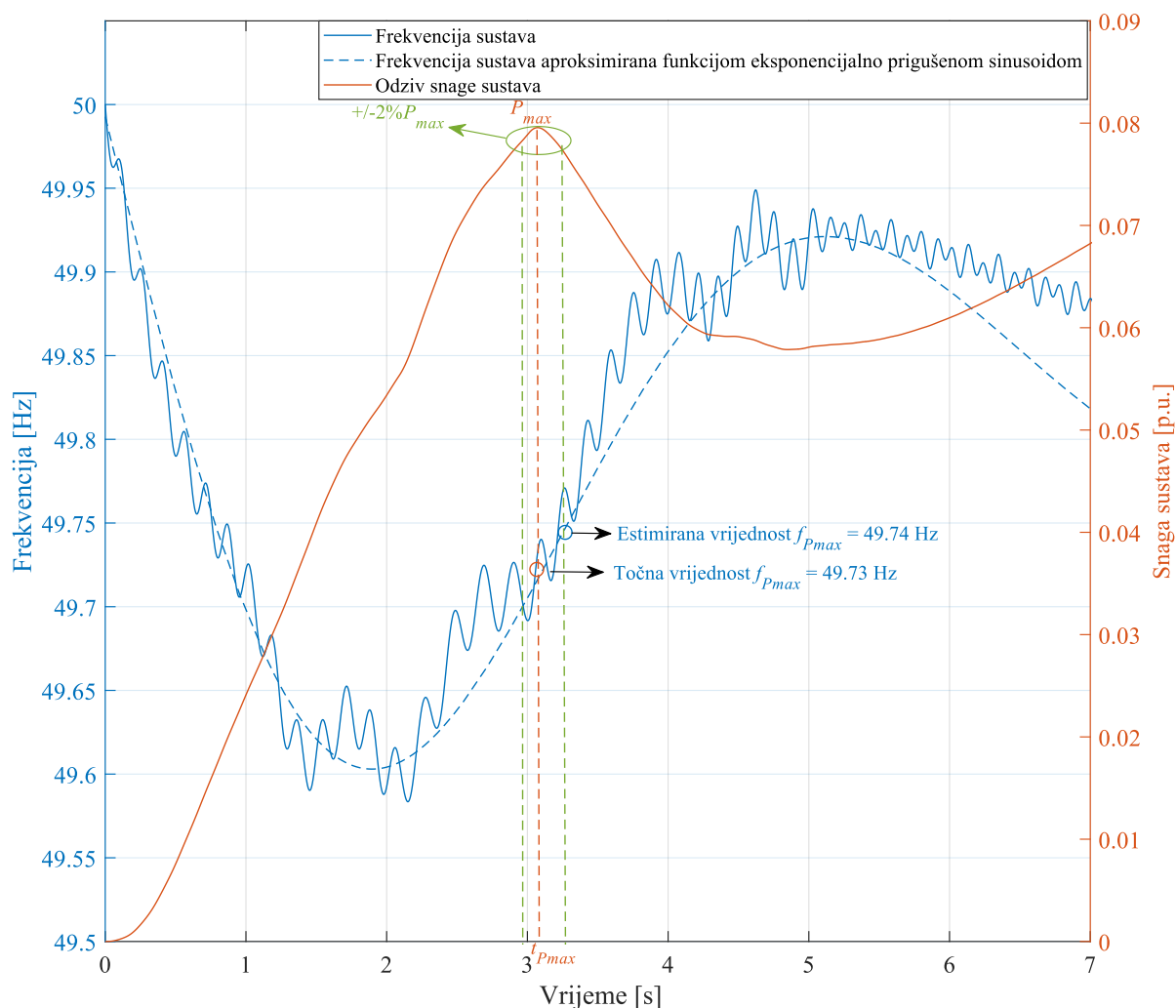
Uzimajući u obzir (4.23), vrijednost točke f_{Pmax} može se ograničiti na najnižu vrijednost s obzirom na točku f_{nadir} :

$$f_{Pmax} > 0.735 \cdot f_{nadir} + 0.265 \cdot d \quad (4.25)$$

Parametar d predstavlja vrijednost frekvencije u privremenom stacionarnom stanju (engl. *quasi-steady-state*) te prema ENTSO-E priručniku [8], najniža dopuštena vrijednost za sinkrono područje Europe je 49.82 Hz. Prema tome, ako npr. tijekom nekog poremećaja frekvencija padne do vrijednosti $f_{nadir}=49.20$ Hz i pretpostavljajući da se mora vratiti, nakon djelovanja primarne regulacije frekvencije, na vrijednost od 49.82 Hz i više, tada prema (4.25), odziv snage neće doseći svoju najveću vrijednost prije nego frekvencija dostigne vrijednost $f=49.365$ Hz. Točan izraz za f_{Pmax} kao funkcija parametara eksponencijalno prigušene sinusoide i f_{nadir} je:

$$f_{Pmax} = 2 \cdot e^{-\frac{b}{w} \arctan(\frac{w}{b})} \cdot \frac{b}{\sqrt{w^2 + b^2}} \cdot (f_{nadir} - d) + d \quad (4.26)$$

Potrebno je napomenuti da dobiveni izraz (4.26) predstavlja određivanje približne, a ne stvarne vrijednosti frekvencije f_{Pmax} budući da se temelji na koeficijentima A , b , w , c i d koji pak određuju funkciju aproksimacije frekvencijskog odziva. Točnost izraza (4.26) pri određivanju približne vrijednosti frekvencije f_{Pmax} testirana je u simulaciji na nefiltriranom uzorku frekvencije. Simulacije EES-a uobičajeno daju oblik srednje ekvivalentne frekvencije, dok stvarna mjerenja frekvencije prilikom prikaza oblika frekvencije uobičajeno uključuju niskopropusne filtre ili tehniku pomičnog prosjeka (engl. *moving average*). Kako bi se stvorio oblik frekvencije koji je oscilatoran i nefiltriran, parametri modela EES-a dinamički su mijenjani tijekom simulacije. Svrha mijenjanja parametara tijekom simulacije nije stvaranje ili predstavljanje nekih stvarnih specifičnih uvjeta u sustavu, već samo dobivanje nasumičnog oblika frekvencije prikladnog za testiranje. Slika 4.11 prikazuje rezultat provedenog testiranja.



Slika 4.11: Učinkovitost metode za procjenu vrijednosti frekvencije f_{Pmax}

Iako je uzorak frekvencije u nefiltriranom obliku, slika 4.11 pokazuje visoku učinkovitost aproksimacije frekvencijskog odziva unutar prvih 5-6 sekundi što je i više nego dovoljno za procjenu vrijednosti frekvencije u točki f_{Pmax} koja se pojavljuje neposredno nakon što frekvencija dostigne najnižu vrijednost tj. točku f_{nadir} . Stvarna vrijednost frekvencije u točki f_{Pmax} određena je prema trenutku pojavljivanja maksimalne snage u sustavu (narančasta krivulja), trenutak t_{Pmax} . Procijenjena vrijednost frekvencije u točki f_{Pmax} određena je prema (4.26). Razlika te dvije vrijednosti je zanemariva (0.01 Hz). Iako je u ovom slučaju procijenjena vrijednost frekvencije u točki f_{Pmax} određena uz visoku točnost, potrebno je istaknuti da postoji širi interval vrijednosti frekvencije koje su pogodne za točku f_{Pmax} . Taj interval označen je s dvjema vertikalnim zelenim linijama na slici 4.11. Te linije označavaju samo 2% odstupanja vrijednosti snage od maksimalne vrijednosti P_{max} , a interval pogodnih vrijednosti frekvencije za točku f_{Pmax} koji odgovara tim dvjema linijama širok je čak 0.07 Hz. Dakle, u konkretnom slučaju, pogodne vrijednosti za frekvenciju u točki f_{Pmax} nalaze se u intervalu od 49.70 Hz do 49.77 Hz. Postojanje ovog intervala pogodnih vrijednosti frekvencije u točki f_{Pmax} posljedica je tromosti generatora koja onemogućuje generatore da trenutno promjene iznos proizvodnje snage.

Dodatna stvar koja omogućuje točniju aproksimaciju frekvencijskog odziva je podešavanje intervala očekivanih vrijednosti za koeficijente A , b , w , c i d . S obzirom da je cilj dobiti približan izgled krivulje frekvencijskog odziva u stvarnom vremenu, to znači da je potrebno točke frekvencije dobivene uzorkovanjem približno opisati (tzv. prilagodba ili „fitanje“) funkcijom eksponencijalno prigušene sinusoide. U tu svrhu mogu se koristiti razni alati za prilagodbu frekvencijskog odziva (engl. *curve fitting tools*). Kako bi se umanjili utjecaji loših PMU mjerenja frekvencije na točnost aproksimacije, potrebno je u alatima za prilagodbu željene funkcije podesiti granice očekivanih vrijednosti za koeficijente koji se određuju. U slučaju funkcije eksponencijalno prigušene sinusoide (4.16) postoji 5 koeficijenata (A , b , w , c i d). Imajući na umu da se aproksimira frekvencijski odziv EES-a, sljedeća ograničenja postavljaju se na koeficijente:

- Za koeficijent d već je rečeno da predstavlja vrijednost frekvencije u privremenom stacionarnom stanju, stoga interval očekivanih vrijednosti može se postaviti na $\langle 49.20 \text{ Hz} - 50.00 \text{ Hz} \rangle$.
- Koeficijent w predstavlja kružnu frekvenciju funkcije sinus te vrijedi da je $w=2\pi/T$ pri čemu je T period sinusoide. S obzirom da se f_{nadir} pojavljuje u minimumu sinusoide jednog perioda, period T može se ograničiti uzimajući u obzir vrijeme pojavljivanja nadira frekvencije t_{nadir} na sljedeći način: $2t_{nadir} < T < 4t_{nadir}$. Dakle, pretpostavljanjem

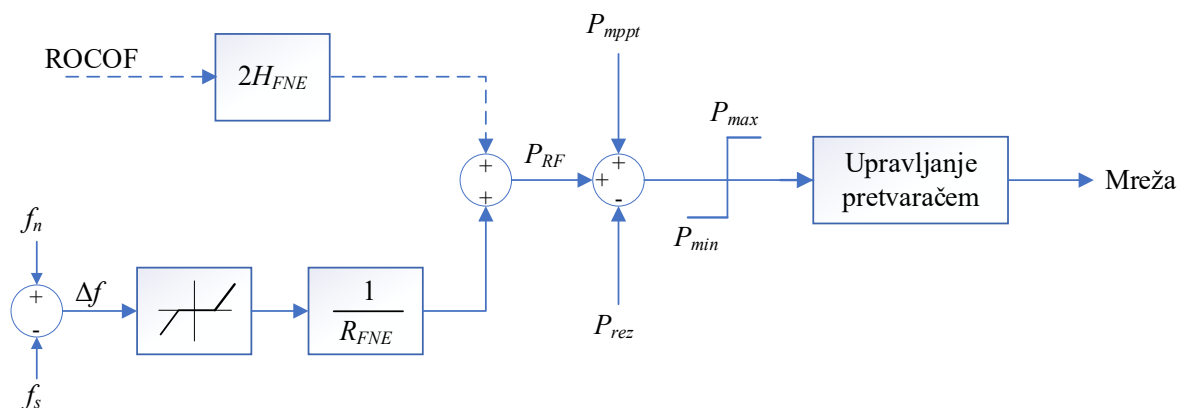
nekog okvirnog vremena u kojem frekvencija dostiže minimalnu vrijednost npr. $0 < t_{nadir} < 20$, interval očekivanih vrijednosti za koeficijent w može se postaviti na $\langle 0 - 5 \rangle$.

- Koeficijent b predstavlja prigušenje i ta je vrijednost strogo pozitivna. Interval očekivanih vrijednosti za koeficijent b može se postaviti na $\langle 0 - 3 \rangle$.
- Koeficijent A predstavlja amplitudu sinusoide. Pretpostavljajući da očekivano odstupanje frekvencije neće biti veće od 1 Hz od nazivne vrijednosti (zbog aktivacije podfrekvencijskog rasterećenja) interval očekivanih vrijednosti za koeficijent A može se postaviti na $\langle -2 - 0 \rangle$.
- Koeficijent c predstavlja fazni pomak sinusoide te on može poprimiti bilo koju vrijednost.

5 ODREĐIVANJE REZERVE SNAGE FOTONAPONSKIH ELEKTRANA

Kada je riječ o sudjelovanju fotonaponskih elektrana u regulaciji frekvencije sustava, najčešće se, u znanstvenim radovima, misli na vrstu regulacije frekvencije pri različitim pogonskim događajima (ispad generatora, porast potrošnje) uslijed kojih frekvencija počinje padati ispod nazivne vrijednosti te je potrebno povećati proizvodnju snage. Slučajevi u kojima frekvencija raste iznad nazivne vrijednosti ne predstavljaju značajnije probleme jer fotonaponske elektrane mogu jednostavno smanjiti svoju snagu i na taj način doprinijeti oporavku frekvencije [79]. Radovi u literaturi koji se bave mogućnostima sudjelovanja fotonaponskih elektrana u regulaciji frekvencije sustava mogu se svrstati u dvije glavne skupine. Prva skupina sastoji se od radova koji predlažu kombiniranje FNE s određenim spremnicima energije, npr. kondenzatorom na DC-spoju [80] ili velikim baterijskim spremnicima energije [81], pri čemu je zajednička stvar da i kondenzator i baterije osiguravaju brzu rezervu energije. Druga skupina radova predlaže rad FNE na izlaznoj snazi ispod maksimalne točke snage (engl. *deloaded mode*), čime se osigurava određena rezerva snage. Nedostatak prve skupine radova potencijalnog rješenja je povećanje troškova zbog, još uvijek, relativno visoke cijene spremnika energije. Nedostatak druge skupine radova je povećanje operativnih troškova i potencijalni gubitak proizvodnje zbog pogona u radnoj točki koja nije optimalna.

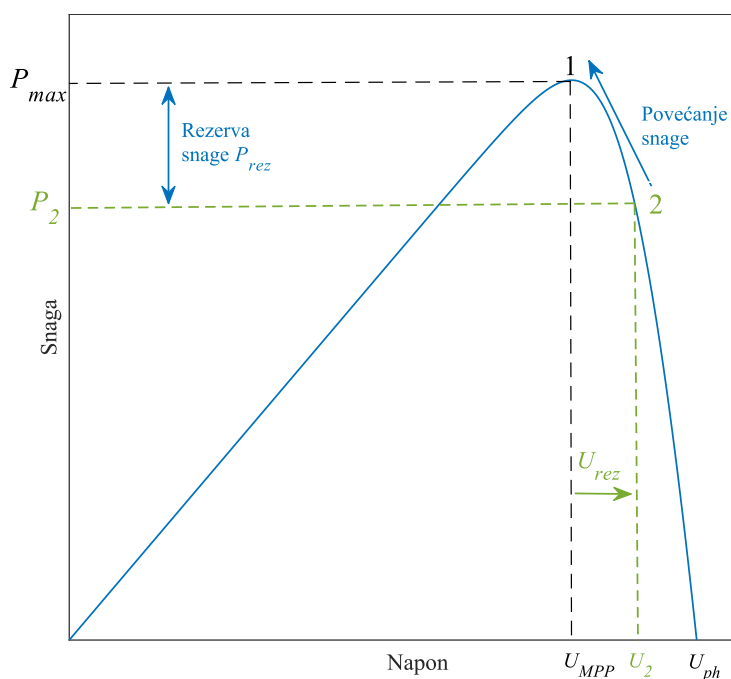
Jedna od najzastupljenijih ideja za omogućavanje fotonaponskim elektranama sudjelovanje u regulaciji frekvencije dolazi iz druge skupine radova što znači da se temelji na radu fotonaponske elektrane u točki ispod maksimalne snage kako bi se osigurala dodatna snaga koja bi se mogla injektirati u mrežu tijekom pada frekvencije [82]. Ova metoda realizira se dodavanjem dodatne upravljačke petlje koja omogućuje elektrani da reagira na promjenu frekvencije. Ovakav način upravljanja, u kojemu je promjena snage karakterizirana iznosom statičnosti, veoma je sličan primarnoj regulaciji sinkronih generatora, a brzi odziv pretvarača omogućava reagiranje fotonaponske elektrane u vremenu jednakom inercijskom odzivu sinkronih generatora. Koncept realizacije ove metode prikazan je na slici 5.1.



Slika 5.1: Koncept realizacije metode za sudjelovanje FNE-a u regulaciji frekvencije

Na slici 5.1, R_{FNE} predstavlja statičnost, a H_{FNE} sintetičku konstantu tromosti FNE-a. Važno je napomenuti da su vrijednosti R_{FNE} i H_{pv} proizvoljne i fleksibilne tj. nisu ograničene uskim intervalom mogućih vrijednosti te ovisno o željenoj brzini odziva, mogu se postaviti na niže ili više vrijednosti. Fokus je na primarnoj regulaciji frekvencije, dok je „inercijski odziv“ opcionalan te je stoga na 5.1 označen isprekidanom linijom. P_{mppt} je trenutna maksimalna snaga, P_{rez} je iznos rezerve snage, a P_{RF} predstavlja dodatnu proizvedenu snagu tijekom regulacije frekvencije.

Rezerva snage P_{rez} postiže se dodavanjem napona U_{rez} naponu U_{MPP} koji odgovara MPP (engl. Maximum Power Point) te se na taj način radna točka FNE podešava u točku $U_2 = U_{MPP} + U_{rez}$ u kojoj FNE proizvodi radnu snagu manju od maksimalne. Koncept postizanja rezerve snage prikazan je na slici 5.2.

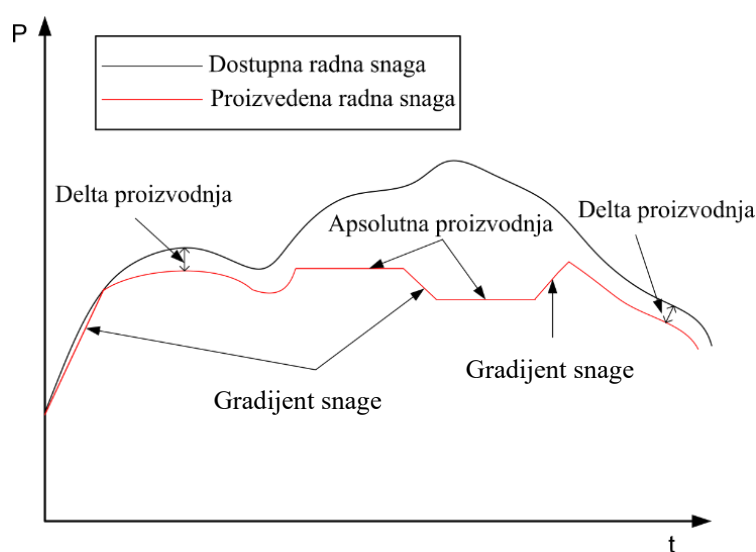


Slika 5.2: P - U dijagram FNE-a - koncept postizanja rezerve snage

Iako je koncept stvaranja određene rezerve snage prilično jednostavan, ključno pitanje koje se ovdje nameće je koliko iznosi potrebna snaga rezerve. Što je veća rezerva, to je veći doprinos fotonaponske elektrane regulaciji frekvencije, ali isto tako, veće je smanjenje njene snage proizvodnje tj. manji profit za vlasnike elektrana zbog manje proizvedene energije. Potrebno je, dakle, pronaći optimum kako bi se postigao što veći doprinos sustavu uz što manje financijske gubitke koji nastaju zbog neiskorištenog dostupnog resursa energije.

5.1 PREGLED DOSADAŠNJIH ISTRAŽIVANJA

S jedne strane, u grupi radova koji se bave mogućnostima regulacije frekvencije kombiniranjem FNE i neke vrste spremnika energije, postoji dio radova [83]–[86] koji se bave optimalnim dimenzioniranjem veličine tih energijskih spremnika, baterija ili kondenzatora, kako bi FN sustav mogao maksimalno pridonijeti regulaciji frekvencije uz minimalne troškove. S druge strane, u drugoj grupi radova, neznatan je broj radova koji se bave optimalnim određivanjem rezerve snage FNE. Neki radovi, [58], [87], [88], predlažu samo strategije upravljanja FNE-om da se postigne održavanje rezerve snage, slika 5.3, ali bez raspravljanja o količini te rezerve snage. Pokazano je da se rezerva snage može održavati ili na konstantnom iznosu [88] tzv. apsolutna proizvodnja ili kao određeni postotni dio maksimalne dostupne snage u tom trenutku [87] tzv. delta proizvodnja. Općenito, iznos rezerve snage može biti od 0 do skoro 100% dostupne snage [58], a izvedba ne zahtijeva dodatne hardvere [89].



Slika 5.3: Načini upravljanja radnom snagom [90]

Radovi koji do neke mjere spominju iznos potrebne rezerve snage uglavnom koriste konstantne, unaprijed određene vrijednosti. Tako u radovima [15], [82], [91] iznos rezerve snage postavljen je, bez obzira na uvjete u sustavu, na fiksni iznos od 10% nazivne snage FNE. U praksi su provedena istraživanja i analize mogućnosti sudjelovanja fotonaponskih elektrana u regulaciji frekvencije upravo uz iznos rezerve snage od 10% nazivne snage [92]. Test je proveden na FNE snage 300 MW i dobiveni su više nego zadovoljavajući rezultati. U nekim radovima [93], [94] koriste se čak i veći postotni iznosi rezerve snage. U [93], rezerva snage postavljena je na 20% nazivne snage, dok u [94] na čak 40% nazivne snage. U oba rada nedostaje rasprava i objašnjenje odabranih postotnih vrijednosti za iznos rezerve snage, a pogotovo ne analiza opravdanosti tih brojki s obzirom na doprinos sustavu i nastale troškove. Rad [95] je pokazao da se može postići znatno poboljšanje frekvencijskog odziva sustava uz prihvatljive troškove ako se rezerva snage FNE održava u intervalu od 10% do 20%. S obzirom da se nameće zaključak da održavanje rezerve snage na određenom fiksnom iznosu ne može biti optimalno kroz neki vremenski interval jer se uvjeti u EES-u konstantno mijenjanju, rad [96] je razvio metodu u kojoj se iznos rezerve snage dinamički mijenja u intervalu od 2.8% do 22.5% nazivne snage, međutim u radu nije analiziran konkretan učinak na regulaciju frekvencije. Sličan pristup korišten je i u [97] gdje se iznos rezerve snage mijenja dinamički u 10 minutnim intervalima uzimajući u obzir vremenske uvjete i pogonske karakteristike EES-a. Međutim, kao i u slučaju rada [96], nedostaju objašnjenja odabira pojedinih postotnih vrijednosti rezerve snage, a nedostaje i rasprava jesu li te vrijednosti dovoljne za održavanje stabilnosti frekvencije EES-a.

S obzirom na nedostatke u predstavljenim radovima iz literature, u disertaciji je razvijena metoda određivanja iznosa rezerve snage FNE na način da je potrebni iznos rezerve snage usko povezan s najvažnijim parametrom regulacije frekvencije, tj. nadirom frekvencije. Da bi se pronašao kompromis između željenog doprinosa regulaciji frekvencije i smanjenja proizvodnje snage, potrebno je definirati kriterije stabilnosti frekvencije. Ovi kriteriji ovisit će o nekoliko faktora kao što su ukupna konstanta tromosti sustava u određenom trenutku, ukupna ekvivalentna statičnost sustava, razina stabilnosti frekvencije prije priključenja fotonaponskih elektrana u sustav i dr.

5.2 ODREĐIVANJE REZERVE SNAGE FOTONAPONSKJE ELEKTRANE ZA POTREBE REGULACIJE FREKVENCIJE

Kako bi se odredio potrebni minimalni iznos rezerve snage FNE-a za sudjelovanje u primarnoj regulaciji frekvencije uz postizanje zadovoljavajućeg frekvencijskog odziva sustava, potrebno je definirati granice rezerve snage FNE-a. Ovaj problem analizira se isključivo s gledišta operatora prijenosnog sustava, što znači da se ovo istraživanje ne bavi sustavom tržišta električne energije i načinom na koji će vlasnici FNE-a biti plaćeni za svoje usluge regulacije frekvencije, nego samo određivanjem potrebne (optimalne) rezerve snage kako bi se zadovoljila određena razina stabilnosti frekvencije. Dakle, određivanje granice rezerve snage temeljeno je na ideji da se postigne što bolji frekvencijski odziv uz što manji iznos rezerve snage. Iako se u postupku ne provode i izvršavaju optimizacijski procesi, razina određene rezerve snage može se na neki način smatrati optimalnom jer nastaje kao kompromis između veličine doprinosa regulaciji frekvencije i učinkovitosti proizvedene energije iz elektrane.

Zamjena konvencionalnih elektrana s FNE-ima neizbježno uzrokuje smanjenje konstante tromosti EES-a što za posljedicu ima povećanje brzine promjene frekvencije i niži nadir frekvencije. Međutim, ako FNE-i sudjeluju u regulaciji frekvencije, poveća se stabilnost frekvencije sustava jer su ove elektrane sposobne reagirati i pružiti dinamički odziv u vrlo kratkom vremenu. Što je veća rezerva snage s kojom FNE-i sudjeluju u regulaciji frekvencije, to je bolji cjelokupni frekvencijski odziv sustava. Stoga, središnje je pitanje koliko iznosi potrebna rezerva snage FNE-a. Algoritam određivanja potrebne rezerve snage temelji se na sljedećim stavkama [1]:

- a) Ako EES čine samo konvencionalne elektrane, tada u slučaju nekog poremećaja veličine P_L , pad frekvencije bit će zaustavljen u nekoj točki $f_{nadir-konv}$.
- b) Zamjena određenog udjela konvencionalnih elektrana s FNE-ima u istom EES-u uzrokovat će pogoršanje frekvencijskog odziva zbog smanjenja tromosti sustava i ostalih faktora. To sve rezultira nižim nadirnom frekvencije $f_{nadir-FNE}$ za isti iznos poremećaja P_L :

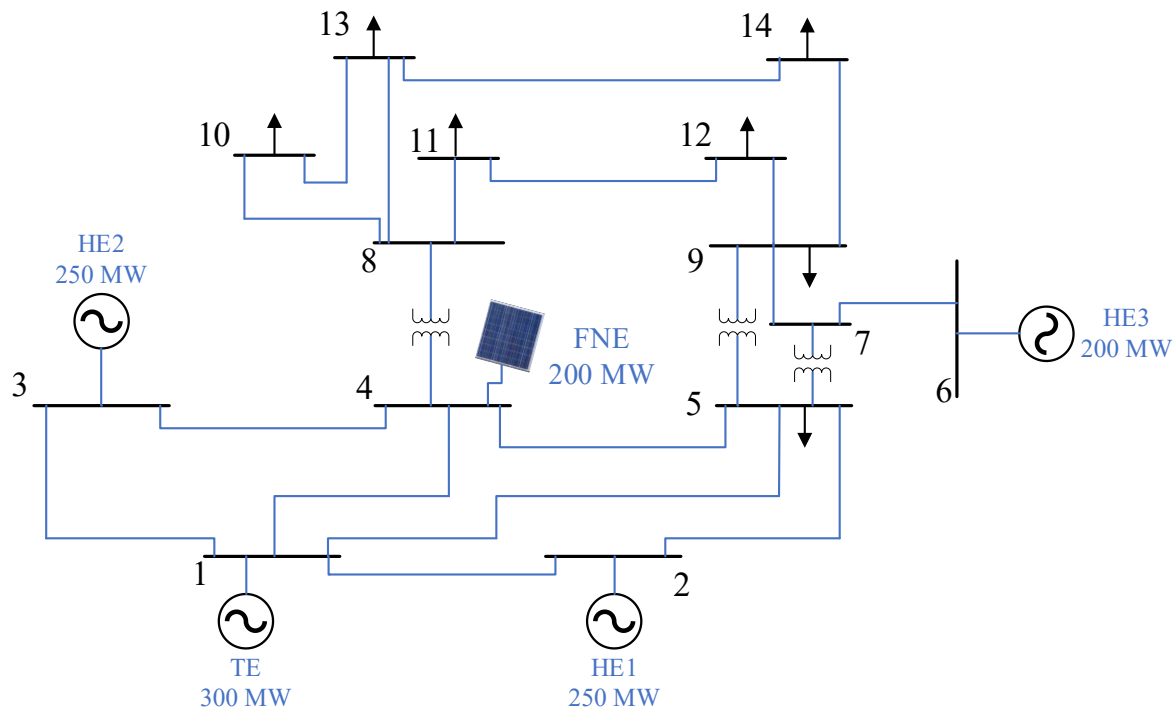
$$f_{nadir-FNE} < f_{nadir-konv}$$

- c) Uključivanjem FNE-a u regulaciju frekvencije, vrijednost nadira frekvencije može se povećati. Cilj je odrediti točno onaj iznos rezerve snage koju FNE treba injektirati u mrežu kako bi se održala vrijednost nadira frekvencije na jednakom iznosu na kojem je bila prije priključivanja FNE-a u sustav, uz isti iznos poremećaja P_L :

$$f_{nadir-FNE} = f_{nadir-konv}$$

Istraživanje se provodi za EES opisan u poglavlju 4.1.2 na kojem je izvršena aproksimacija frekvencijskog odziva paraboličnom funkcijom. Sustav prikazan na slici 5.4 sastoji se od jedne termoelektrane i tri hidroelektrane te se analiziraju dvije situacije u kojima priključenje FNE od 200 MW uzrokuje:

- a) Izlazak iz pogona hidroelektrane HE3
- b) Izlazak iz pogona dijela generatora termoelektrane TE



Slika 5.4: Testni sustav za određivanje rezerve snage FNE-a

Sudjelovanje FNE-a u regulaciji frekvencije omogućeno je po uzoru na metodu statičnosti (engl. *droop method*) koja se uvelike koristi kod konvencionalnih generatora. Prema konceptu metode prikazanom na slici 5.1 (bez uključivanja virtualnog inercijskog odziva), promjena snage FNE tijekom regulacije frekvencije predstavljena je sljedećim izrazom:

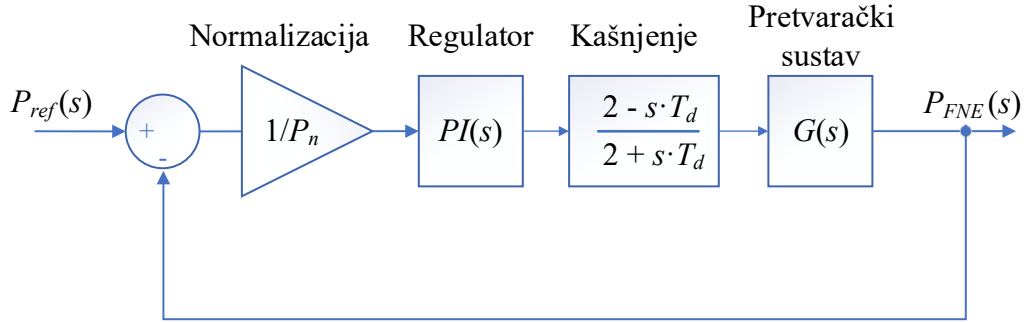
$$\Delta P_{FNE}(s) = \Delta \omega(s) \cdot \frac{1}{R_{FNE}} \cdot C(s) \quad (5.1)$$

pri čemu je $C(s)$ prijenosna funkcija FN sustava.

Iako je dinamika pretvarača daleko brža od dinamike sustava turbina-generatora zbog čega se u nekim radovima [98] iznos $C(s)$ postavlja na 1, ovdje se koristi točniji izraz za $C(s)$ temeljen na jednadžbama izvedenim u 3. poglavlju. S obzirom da umnožak odstupanja frekvencije i recipročne vrijednosti statičnosti R_{FNE} predstavlja referentni iznos snage za FNE, izraz za $C(s)$ može se napisati kao:

$$C(s) = \frac{P_{FNE}(s)}{P_{ref}(s)} \quad (5.2)$$

Izraz (5.2) može se prikazati u blokovskoj shemi predstavljenoj na slici 5.5 [58].



Slika 5.5: Blokovski prikaz prijenosne funkcije $C(s)$

Prijenosna jednačba pretvaračkog sustava izvedena je u poglavlju 3 u izrazu (3.25), a njezin je opći oblik:

$$G(s) = \frac{K_0}{s^2 + 2 \cdot s \cdot \varepsilon \cdot \omega_0 + \omega_0^2} \quad (5.3)$$

pri čemu su:

$$K_0 = \frac{-V_{dc}}{LC} \left(I_{pv} + \frac{V_{pv}}{r_{pv}} \right) \quad (5.4)$$

$$\omega_0 = \frac{1}{\sqrt{LC_{ul}}} \quad (5.5)$$

$$\varepsilon = \frac{-1}{2 \cdot R_{pv} \cdot C_{ul} \cdot \omega_0} \quad (5.6)$$

Konačno, za podatke dane u tablici 3.1 u poglavlju 3 za 2 kW FNE, dobivena je konkretna prijenosna funkcija $C(s)$:

$$C(s) = \frac{1.385 \cdot 10^6 s^2 + 5.47 \cdot 10^{10} s + 2.77 \cdot 10^{13}}{s^4 + 40710 s^3 + 3.127 \cdot 10^7 s^2 + 2.249 \cdot 10^{11} s + 2.77 \cdot 10^{13}} \quad (5.7)$$

Iako je prijenosna funkcija $C(s)$ izvedena za 2 kW FNE, ista funkcija može se koristiti i za FNE veće nazivne snage jer jedna velika FNE može se gledati kao suma manjih agregiranih jedinica.

5.2.1 ZAMJENA HIDROELEKTRANE S FOTONAPONSKOM ELEKTRANOM

Potrebni iznos rezerve snage FNE-a određuje se za situaciju kada, u EES-u prikazanom na slici 5.4, dođe do izlaska iz pogona HE3 200 MW kako bi se omogućila proizvodnja FNE-a jednake snage. Ideja je parabolom aproksimirati frekvencijski odziv EES-a prije i poslije priključenja FNE-a te na osnovu usporedbe dobivenih funkcija za f_{nadir} dobiti ovisnost iznosa rezerve snage FNE-a o konstanti tromosti sustava. Cijeli proces temelji se u potpunosti na opisanom postupku u poglavlju 4.1.2.

U prvom koraku, određuju se koeficijenti parabole za bazni sustav (prije priključenja FNE-a). Na temelju izraza (4.6) može se napisati:

$$a \cdot t^2 + b \cdot t + c = \mathcal{L}^{-1} \left\{ \left[\frac{2 \cdot a + b \cdot s + c \cdot s^2}{s^3} \cdot \left[\frac{1}{R_{HE1}} \cdot HE1(s) + \frac{1}{R_{HE2}} \cdot HE2(s) \right] + \frac{1}{R_{HE3}} \cdot HE3(s) + \frac{1}{R_{TE}} \cdot TE(s) \right] - P_L(s) \right\} \frac{1}{2H \cdot s + D} \quad (5.8)$$

Prema izrazima (4.7) i (4.8) te podacima u tablici 4.1, dobivene su prijenosne jednadžbe za hidroelektrane i termoelektranu:

$$\frac{1}{R_{HE1}} \cdot HE1(s) = -\frac{1}{0,2} \cdot \frac{-s^2 + 0,785 \cdot s + 0,158}{s^3 + 6,921 \cdot s^2 + 9,638 \cdot s + 0,158} \quad (5.9)$$

$$\frac{1}{R_{HE2}} \cdot HE2(s) = -\frac{1}{0,2} \cdot \frac{-s^2 + 0,755 \cdot s + 0,139}{s^3 + 6,833 \cdot s^2 + 9,195 \cdot s + 0,139} \quad (5.10)$$

$$\frac{1}{R_{HE3}} \cdot HE3(s) = -\frac{1}{0,25} \cdot \frac{-s^2 + 0,857 \cdot s + 0,142}{s^3 + 7,014 \cdot s^2 + 10,1 \cdot s + 0,142} \quad (5.11)$$

$$\frac{1}{R_{TE}} \cdot TE(s) = -\frac{1}{0,166} \cdot \frac{7 \cdot s + 2,857}{s^3 + 9,143 \cdot s^2 + 21,29 \cdot s + 2,857} \quad (5.12)$$

Potrebno je napomenuti da statičnost u modelu dolazi s negativnim predznakom te u jediničnim vrijednostima (engl. *per unit*) prema:

$$R[\text{p.u.}] = \frac{R[\%]}{100} \frac{P_B}{P_n} \quad (5.13)$$

pri čemu su: P_B [MW] bazna snaga sustava i iznosi 1000 MW te P_n [MW] nazivna snaga elektrane.

Uz postavljanje $D=0$ te ubacivanjem tri različite vrijednosti (određene u poglavlju 4.1.3) $t_1=0.1$, $t_2=2.2$ i $t_3=3.2$ u (5.8) dobiva se sustav s tri jednadžbe iz kojeg se dobivaju koeficijenti parabole u ovisnosti H i P_L za bazni sustav:

$$a_{base} = P_L \frac{7.62H - 0.88}{16.27H^3 + 7.38H^2 + 10.43H - 0.25} \quad (5.14)$$

$$b_{base} = -P_L \frac{8.14H^2 + 14.90H - 2.07}{16.27H^3 + 7.38H^2 + 10.43H - 0.25} \quad (5.15)$$

$$c_{base} = P_L \frac{1.04H - 0.74}{16.27H^3 + 7.38H^2 + 10.43H - 0.25} \quad (5.16)$$

S obzirom da su a_{base} , b_{base} i c_{base} koeficijenti kvadrante funkcije, nadir frekvencije tj. minimum kvadrante funkcije određen je sljedećim relacijama:

$$\Delta f_{min-base}(H, P_L) = c_{base} - \frac{b_{base}^2}{4 \cdot a_{base}} \quad (5.17)$$

$$f_{min-base}(H, P_L) = [\Delta f_{min-base}(H, P_L) + 1] \cdot f_n \quad (5.18)$$

U drugom koraku, određuju se koeficijenti parabole za EES nakon priključenja FNE-a. Prije provođenja postupka određivanja koeficijenata kvadratne funkcije, potrebno je definirati funkciju koja uzima u obzir ograničenje rezerve snage FNE-a. U MATLABU/Simulinku to je lako postići koristeći blok za postavljanje gornje i donje granice signala (engl. *block Saturation*). Navedeni blok je nelinearni element te ga nije lako predstaviti eksplicitnom matematičkom funkcijom. Za rješenje tog problema koristi se step funkcija ili Heavisideova funkcija $u(t)$ koja je definirana kao:

$$u(t) = \begin{cases} 0, & t < 0 \\ 1, & t \geq 0 \end{cases} \quad (5.19)$$

Koristeći opisanu step funkciju $u(t)$, moguće je analitički izraziti ograničenje rezerve snage FNE-a prema:

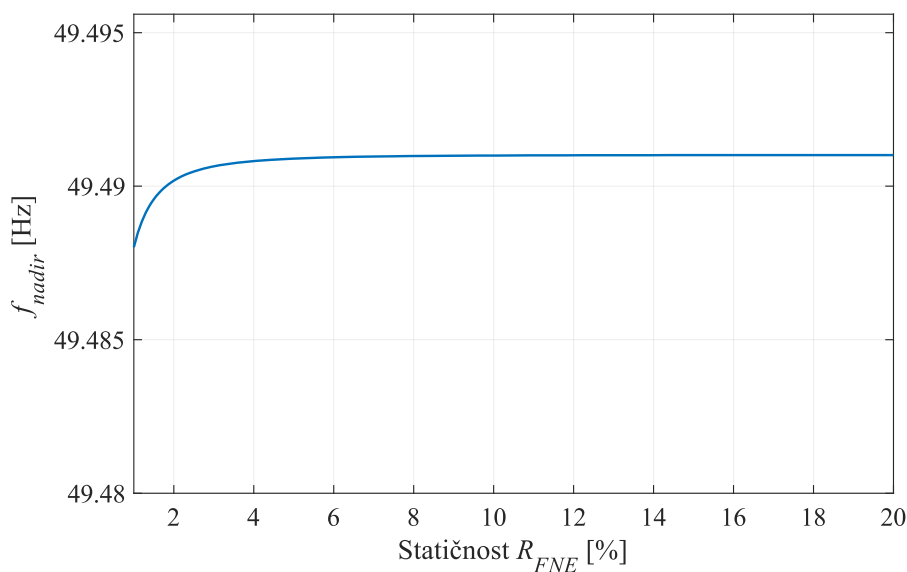
$$P_{FNE-ogr.}(t) = \mathcal{L}^{-1} \left\{ F_{pret}(s) \cdot \frac{1}{R_{FNE}} \cdot C(s) \right\} \cdot [u(t) - u(t-d)] + \frac{P_{rez} P_n}{100 P_B} \cdot u(t-d) \quad (5.20)$$

$$FNE(s) = \mathcal{L} [P_{FNE-ogr.}(t)] / F_{pret}(s) \quad (5.21)$$

U izrazu (5.20), P_{rez} [%] predstavlja rezervu snage FNE-a, $F_{pret}(s)$ Laplaceovu transformaciju pretpostavljenog oblika frekvencije (kvadratna funkcija zapisana u Laplace domeni), d [s] je trenutak u kojem FNE postiže maksimalnu izlaznu snagu. Izraz (5.21) predstavlja konačni oblik prijenosne funkcije FNE-a za sudjelovanje u regulaciji frekvencije koji uzima u obzir ograničenje rezerve te se kao takav koristi u izrazima (4.4) i (4.5). Izraz (5.20) može se dodatno objasniti kao:

- Od $t=0$ do $t=d$, FNE poveća izlaznu od 0 do P_{rez} ;
- U trenutku $t=d$, FNE postiže maksimalnu izlaznu snagu;
- Od $t>d$, FNE nastavlja raditi na maksimalnoj snazi.

U provedenoj analizi, parametar d postavljen je na vrijednost $d=0,150$ s. Vrijednost za d je fleksibilna te ne mora biti točno određena zbog činjenice da se trenutak postizanja maksimalne snage FNE-a može podesiti promjenom parametra statičnosti R_{FNE} , a promjena statičnosti R_{FNE} ne utječe na f_{nadir} kao što prikazuje slika 5.6. Analiza je provedena za parametre sustava $P_L=0.05$ pu, $H=4$ s, $P_{rez}=5\%$ (0.01 pu) te se jasno vidi da je promjena vrijednosti f_{nadir} neznatna za široki interval vrijednosti za R_{FNE} (2%-20%).



Slika 5.6: Ovisnost nadira frekvencije o statičnosti FNE-a

Zbog tehničkih i pogonskih razlika u sustavima prije i poslije priključenja FNE-a, potrebno je dobiti novi set točki (t_1 , t_2 i t_3) kako bi se dobila parabolična aproksimacija sustava nakon priključenja FNE-a. Provedbom postupka za određivanje točki t_1 , t_2 i t_3 opisanog u poglavlju 4.1.3, dobivene su točke jednake kao i za bazni slučaj tj. $t_1=0.1$, $t_2=2.2$ i $t_3=3.2$, iako

to ne mora biti uvijek slučaj. Dakle, koeficijenti parabole za slučaj izlaska iz pogona HE3 uslijed priključenja FNE-a u sustav dobiveni su kao funkcija parametara P_L , H i P_{rez} :

$$a = \frac{12021.38P_L - 59.17P_{rez} + 3.12H^2P_{rez} - 354.72HP_{rez} + 190120.56HP_L}{406875H^3 + 262367.03H^2 + 301596.95H + 50732.79} \quad (5.22)$$

$$b = \frac{-18930P_L + 122.8P_{rez} + 390H^2P_{rez} - 203437.5H^2P_L + 814.3HP_{rez} - 409358.5HP_L}{406875H^3 + 262367.03H^2 + 301596.95H + 50732.79} \quad (5.23)$$

$$c = \frac{-14638.88P_L - 5.81P_{rez} - 39.03H^2P_{rez} - 74.61HP_{rez} + 27539.20HP_L}{406875H^3 + 262367.03H^2 + 301596.95H + 50732.79} \quad (5.24)$$

Konačno, nadir frekvencije tj. minimum kvadratne funkcije za ovaj sustav može se izračunati kao:

$$f_{min}(H, P_{rez}, P_L) = \left(c - \frac{b^2}{4a} + 1\right) \cdot f_n \quad (5.25)$$

Prema definiciji potrebne rezerve snage koja se odnosi na očuvanje vrijednosti f_{nadir} u nekom EES-u, može se napisati:

$$f_{nadir-prije\ priključenja\ FNE-a} = f_{nadir-nakon\ priključenja\ FNE-a} \quad (5.26)$$

S obzirom na (5.26), mogu se izjednačiti izrazi (5.18) i (5.25):

$$f_{min}(H, P_{rez}, P_L) = f_{min-base}(H, P_L) \quad (5.27)$$

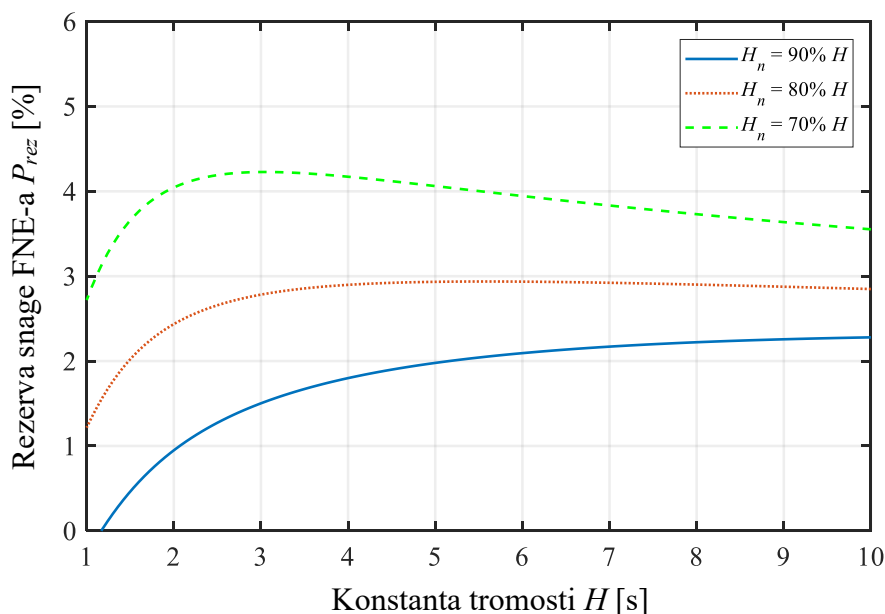
Budući da integracija FNE-a zamjenjuje hidroelektranu što uzrokuje smanjenje konstante tromosti, izraz (5.27) može se preinačiti u:

$$f_{min}(H_n, P_{rez}, P_L) = f_{min-base}(H, P_L) \quad (5.28)$$

$$H_n = \frac{k}{100} \cdot H \quad (5.29)$$

pri čemu su: H_n [s] konstanta tromosti u sustavu nakon priključenja FNE-a, a k koeficijent smanjenja konstante tromosti.

Slika 5.7 prikazuje ovisnost potrebne rezerve snage FNE-a za tri slučaja smanjenja konstante tromosti tj. $k=90\%$, $k=80\%$ i $k=70\%$. Veličina poremećaja u analiziranim slučajevima je $P_L=0.05$ p.u.

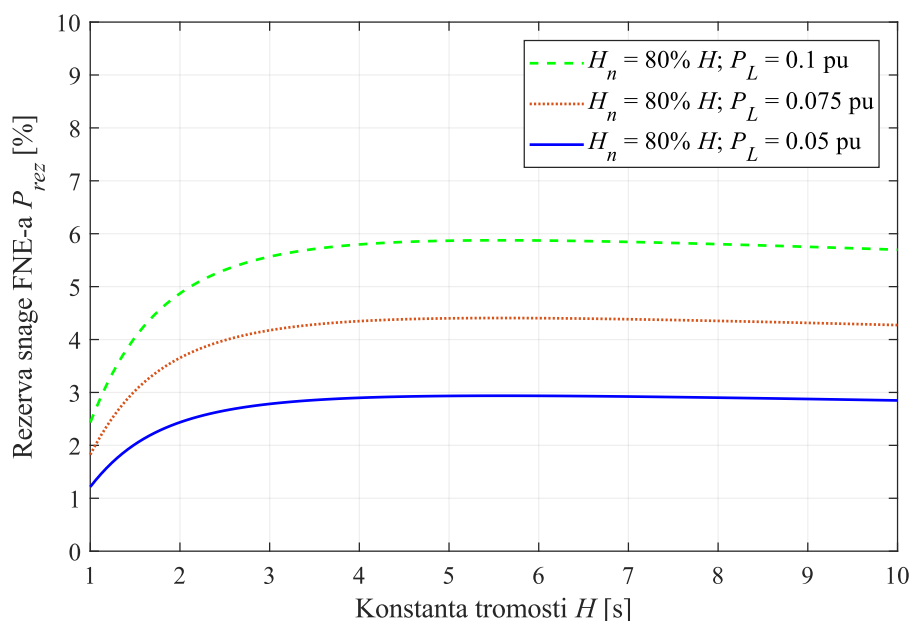


Slika 5.7: Potrebna rezerva snage FNE-a za različite razine smanjenja konstante tromosti za slučaj izlaska HE iz pogona

Primjer iščitavanja rezultata na slici 5.7 je sljedeći: ako je u nekom baznom sustavu konstanta tromosti $H=5$ te ako uslijed priključenja FNE-a u taj isti sustav dođe do smanjenja konstante tromosti u iznosu od 20% ($H_n=80\%$), što odgovara konkretnoj situaciji u kojoj je hidroelektrana zamijenjena FNE-om jednake snage, tada zahtijevana rezerva snage FNE-a za potrebe regulacije frekvencije ne prelazi 3% nazivne snage.

Potrebni iznos rezerve snage FNE-a određen je, također, i za slučaj promjene veličine poremećaja uz zadržavanje smanjenja konstante tromosti od 20% ($H_n=80\%$). Veličina poremećaja postavljena je na tri različite vrijednosti $P_L=0.05$ p.u., $P_L=0.075$ p.u. i $P_L=0.1$ p.u. Rezultati su prikazani na slici 5.8. Uočljivo je da se potrebni iznos rezerve snage povećava uz povećanje veličine poremećaja. Ipak, zahtijevani iznos rezerve snage za održavanje stabilnosti frekvencije manji je od 10% nazivne snage FNE-a čak i u slučaju poremećaja od $P_L=0.1$ p.u. Ovi rezultati pokazuju da su potrebni iznosi rezerve snage FNE-a daleko manji nego iznosi koji se mogu pronaći u radovima iz pregleda dosadašnjih istraživanja gdje su uobičajeni iznosi rezerve snage FNE-a postavljeni na 10%, 20% pa čak i 40% nazivne snage. Na slici 5.8 može se i primijetiti da je iznos rezerve snage FNE-a približno konstantan u intervalu vrijednosti za $H=2,5$ do $H=10$. Iako EES s veoma malom konstantom tromosti tipa $H=1$ nije realan pa su tako i dobiveni rezultati u tom slučaju manje pouzdani, razlog zbog kojeg je rezerva snage FNE-a niža pri tim vrijednostima konstante tromosti leži u činjenici da je dinamika promjene

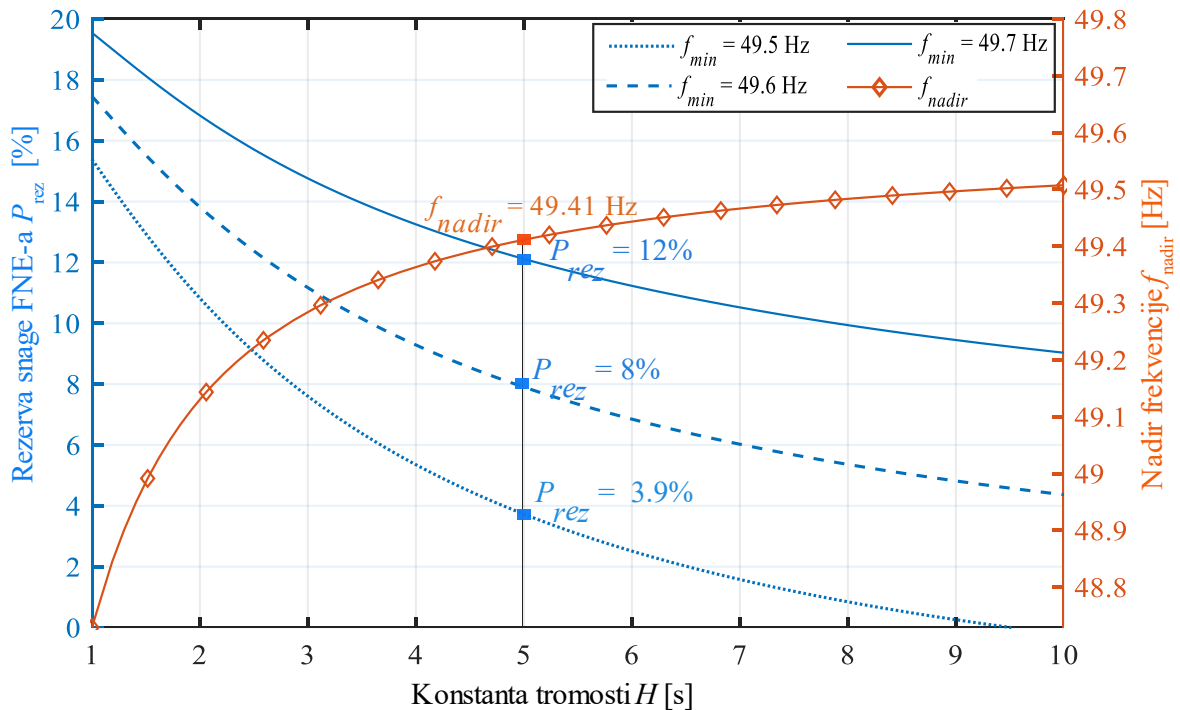
frekvencije izrazito brza te hidroelektrane sa sporom dinamikom ne pridonose značajno regulaciji frekvencije pa je time i potrebna rezerva snage FNE-a manja.



Slika 5.8: Potrebna rezerva snage FNE-a za različite veličine poremećaja za slučaj izlaska HE iz pogona

Osim održavanja vrijednosti f_{nadir} na jednakim iznosima prije i poslije priključenja FNE-a, koristeći (5.25), iznos rezerve snage FNE-a može se odrediti za bilo koju željenu vrijednost za f_{nadir} . Drugim riječima, može se odrediti iznos rezerve snage FNE-a takav da se postigne bolji frekvencijski odziv, u smislu veće vrijednosti f_{nadir} , nego što je bio u baznom sustavu prije priključenja FNE-a. Naravno, tu je potrebno razmotriti analizu opravdanosti takvih vrijednosti. Da bi se to izbjeglo, u ovoj disertaciji postavljen je uvjet da se želi održati f_{nadir} onakav kakav je bio prije priključenja FNE-a što se na neki način smatra optimalnim scenarijem. Stoga, na slici 5.9, prikazani su samo rezultati određivanja potrebne rezerve snage FNE-a kako bi se postigla željena vrijednost za f_{nadir} bez analiziranja opravdanosti tih iznosa. Određivanje je provedeno za tri različite f_{nadir} vrijednosti tj. $f_{nadir}=49,50 \text{ Hz}$, $f_{nadir}=49,60 \text{ Hz}$ i $f_{nadir}=49,70 \text{ Hz}$. Step poremećaj postavljen je na $P_L=0.05 \text{ p.u.}$ Narančasta krivulja na slici 5.9 predstavlja f_{nadir} sustava nakon priključenja FNE-a, ali bez sudjelovanja u regulaciji frekvencije. Ako se razmatra neki sustav s $H=5$, nadir frekvencije u tom slučaju iznosi $f_{nadir}=49,41 \text{ Hz}$. Međutim, ako se želi postići viša vrijednost za f_{nadir} npr. $49,50 \text{ Hz}$, $49,60 \text{ Hz}$ ili $49,70 \text{ Hz}$, tada bi FNE trebala sudjelovati u regulaciji frekvencije uz održavanje razine rezerve snage u iznosima 3,9%, 8% te 12% nazivne snage. Može se primijetiti kako što je veća konstanta tromosti sustava, to je manji potrebni iznos rezerve snage FNE-a. Razlog tomu je činjenica da je dinamika

frekvencije sporija pri većim konstantama tromosti, što osigurava više vremena za reagiranje preostalim proizvodnim jedinicama.



Slika 5.9: Potrebna rezerva snage FNE-a za održavanje željene f_{nadir} vrijednosti za slučaj izlaska HE iz pogona

5.2.2 ZAMJENA TERMOELEKTRANE S FOTONAPONSKOM ELEKTRANOM

U ovom dijelu, određuje se potrebni iznos rezerve snage FNE-a za situaciju kada, u EES-u prikazanom na slici 5.4, dođe do izlaska iz pogona jednog generatora termoelektrane snage 200 MW kako bi se omogućila proizvodnja FNE-a jednake snage. Ideja je identična kao i u slučaju zamjene hidroelektrane s FNE-om. Potrebno je parabolom aproksimirati frekvencijski odziv EES-a prije i poslije priključenja FNE-a te na osnovu usporedbe dobivenih funkcija za f_{nadir} dobiti ovisnost iznosa rezerve snage FNE-a o konstanti tromosti sustava. Cijeli proces temelji se u potpunosti na opisanom postupku u poglavlju 4.1.2.

U prvom koraku, određuju se koeficijenti parabole za bazni sustav (prije priključenja FNE-a). Za bazni sustav već su dobiveni koeficijenti parabole (izrazi (5.14), (5.15) i (5.16)) u prethodnom poglavlju gdje se analizirala zamjena hidroelektrane s FNE-om. Izraz za f_{nadir} tj. minimum parabolične aproksimacije frekvencije baznog sustava $f_{min-base}$ dan je u (5.18).

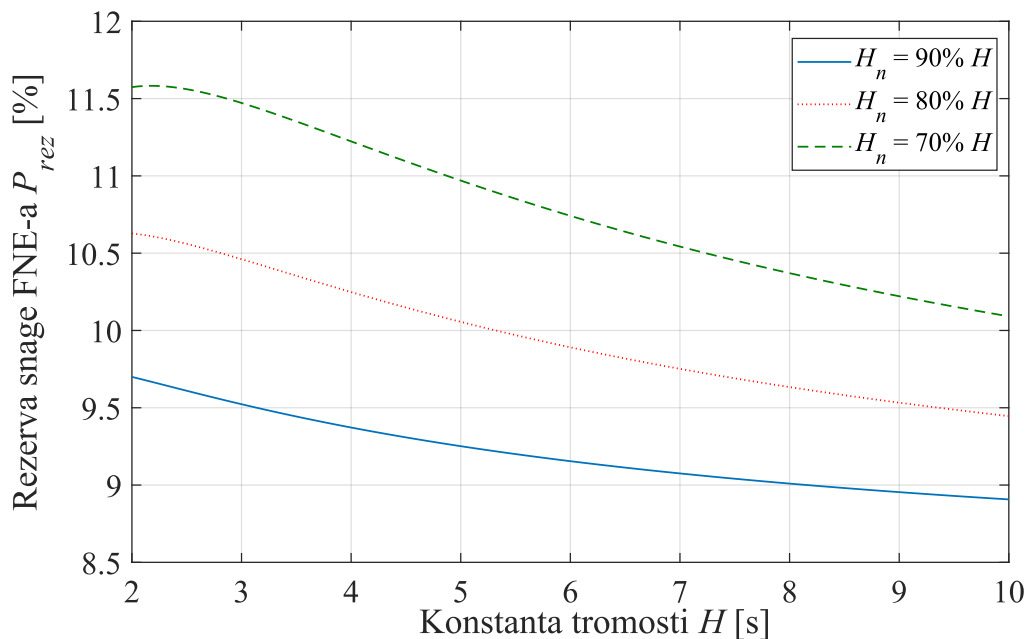
U drugom koraku, određuju se koeficijenti parabole za EES nakon priključenja FNE-a. Detaljni postupak se ne provodi jer je isti kao već opisani u prethodnom poglavlju, stoga samo se ispisuju već određeni koeficijenti:

$$a = \frac{786.07P_L - 3.34P_{rez} - 18.38HP_{rez} + 9565.65HP_L}{31255H^3 + 16638.58H^2 + 17361.53H + 4138.81} \quad (5.30)$$

$$b = \frac{-1794.5P_L + 9.58P_{rez} + 31.25H^2P_{rez} - 15627.5H^2P_L + 61.34HP_{rez} - 30074.32HP_L}{31255H^3 + 16638.58H^2 + 17361.53H + 4138.81} \quad (5.31)$$

$$c = \frac{-1858.29P_L + 0.34P_{rez} - 4.68H^2P_{rez} - 10.18HP_{rez} + 4197.54HP_L}{31255H^3 + 16638.58H^2 + 17361.53H + 4138.81} \quad (5.32)$$

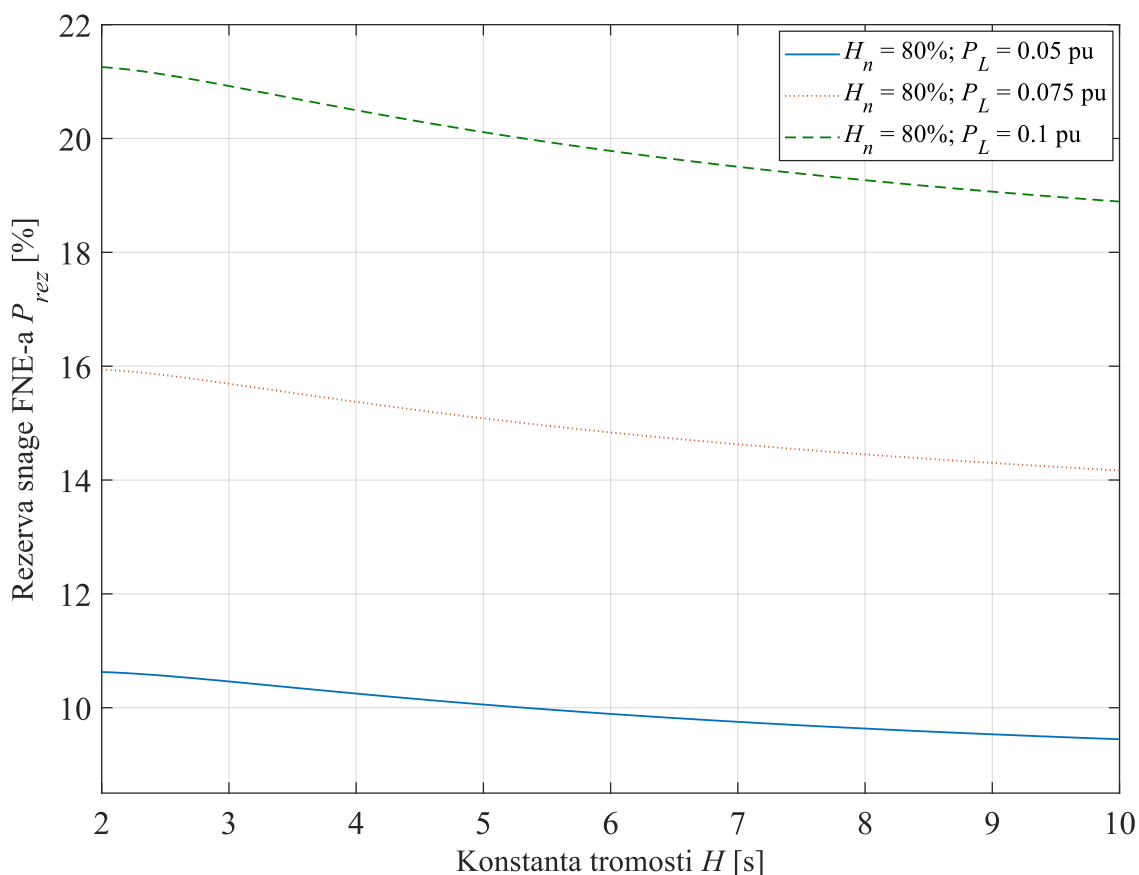
Uz određene koeficijente parabole za bazni sustav (5.14)-(5.16) te za sustav s FNE-om (5.30)-(5.32), izjednačavanjem minimuma parabole dobiva se graf ovisnosti rezerve snage FNE-a o konstanti tromosti EES-a. Slika 5.10 prikazuje ovisnost potrebne rezerve snage FNE-a za tri slučaja smanjenja konstante tromosti tj. $k=90\%$, $k=80\%$ i $k=70\%$. Veličina poremećaja u analiziranim slučajevima je $P_L=0.05$ p.u.



Slika 5.10: Potrebna rezerva snage FNE-a za različite razine smanjenja konstante tromosti za slučaj izlaska TE iz pogona

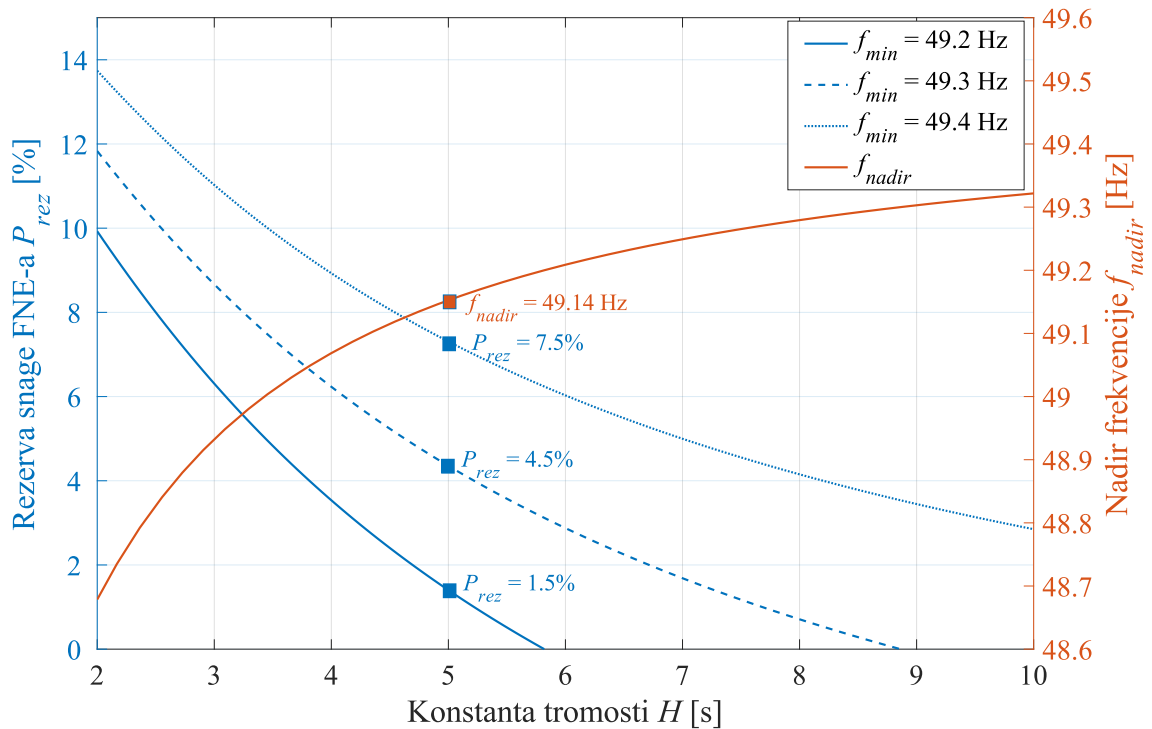
Potrební iznos rezerve snage FNE-a određen je, također, i za slučaj promjene veličine poremećaja uz zadržavanje smanjenja konstante tromosti od 20% ($H_n=80\%$). Veličina poremećaja postavljena je na tri različite vrijednosti $P_L=0.05$ p.u., $P_L=0.075$ p.u. i $P_L=0.1$ p.u.

Rezultati su prikazani na slici 5.11. Uočljivo je i u ovom slučaju da se potrebni iznos rezerve snage povećava uz povećanje veličine poremećaja.



Slika 5.11: Potrebna rezerva snage FNE-a za različite veličine poremećaja za slučaj izlaska TE iz pogona

Osim određivanja potrebnog iznosa rezerve snage FNE-a za očuvanje f_{nadir} na onoj vrijednosti na kojoj bi bio prije priključenja FNE-a u sustav za jednaku veličinu poremećaja, određeni su i iznosi rezerve snage FNE-a za postizanje neke željenog f_{nadir} . Taj scenarij prikazan je na slici 5.12 gdje narančasta krivulja predstavlja kolika bi bila vrijednost f_{nadir} u slučaju da FNE ne sudjeluje u regulaciji frekvencije, dok plave krivulje predstavljaju potrebne iznose rezerve snage FNE-a da se postignu određene vrijednosti za f_{nadir} (49.20 Hz, 49.30 Hz i 49.40 Hz). Ako se razmotri neki EES s konstantom tromosti $H=5$, u tom slučaju f_{nadir} iznosi 49.14 Hz za poremećaj $P_L=0.05$ pu kada FNE ne sudjeluje u regulaciji frekvencije. Da se smanji odstupanje frekvencije od nazivne vrijednosti, odnosno poveća f_{nadir} , FNE-i bi trebale sudjelovati u regulaciju frekvencije uz održavanje određenog iznosa rezerve snage. Za povećanje f_{nadir} na vrijednost 49.20 Hz, potrebna rezerva snage iznosi $P_{rez} = 1.5\%$; za povećanje f_{nadir} na vrijednost 49.30 Hz, potrebna rezerva snage iznosi $P_{rez} = 4.5\%$ te za povećanje f_{nadir} na vrijednost 49.40 Hz, potrebna rezerva snage iznosi $P_{rez} = 7.5\%$.



Slika 5.12: Potrebna rezerva snage FNE-a za održavanje željene f_{nadir} vrijednosti za slučaj izlaska TE iz pogona

Uspoređujući dobivene rezultate potrebne rezerve snage FNE-a u slučaju zamjene hidroelektrane i u slučaju zamjene termoelektrane, može se primijetiti kako je potrebna rezerva snage P znatno veća u slučaju kada termoelektrana izlazi iz pogona. Jedan od razloga je taj što termoelektrane imaju uobičajeno veće konstante tromosti od hidroelektrane te stoga, njihovim izlaskom iz pogona dolazi do većeg smanjenja konstante tromosti sustava što dovodi do veće dinamike frekvencije. Drugi razlog, važniji, je činjenica da početni, inercijski odziv termoelektrana je superioran u odnosu na odziv hidroelektrana te je stoga potrebna veća rezerva snage FNE-a kako bi se nadoknadio gubitak kvalitete odziva koji nastaje izlaskom termoelektrana iz pogona. Općenito gledajući, scenarij izlaska hidroelektrana iz pogona je realniji u stvarnom pogonu EES-a jer inače termoelektrane nisu predviđene za višestruko paljenje i gašenje tijekom jednog dana zbog velikih troškova takvog načina pogona.

5.3 UTJECAJ REZERVE SNAGE FOTONAPONSKE ELEKTRANE NA ROCOF

U ovom poglavlju provodi se analiza promjene vrijednosti ROCOF-a uslijed integracije FNE-a u EES. Cilj je istražiti koliko utječe integracija FNE-a na ROCOF te može li se ROCOF poboljšati u smislu pojave manjih vrijednosti u situacijama kada FNE sudjeluje u regulaciji frekvencije i održava rezervu snagu u iznosima izračunatima u prethodnom poglavlju. Potrebno je naglasiti da se najveća vrijednost ROCOF-a pojavljuje u trenutku $t=0^+$ neposredno nakon poremećaja i računa prema izrazu (1.2) danom u uvodnom poglavlju. Kada je sudjelovanje FNE-a u regulaciji frekvencije izvedeno prema metodi statičnosti (izraz (5.1)), tada FNE nema utjecaj na početni ROCOF u trenutku $t=0^+$. Prema izrazu (1.2), vidljivo je da početni ROCOF isključivo ovisi samo o konstanti tromosti te veličini poremećaja. Prema tome, analiza ROCOF-a u ovom slučaju provest će se za trenutak $t=100$ ms iako se analiza može provesti za bilo koji drugi trenutak.

Da bi se postigao najveći doprinos smanjenju ROCOF-a u trenutku $t=100$ ms, FNE bi trebala injektirati svu snagu u mrežu unutar tog vremenskog intervala. Razmatra se samo situacija zamjene hidroelektrane s FNE-om jer je u tom slučaju rezerva snage dosta manja nego u slučajevima kada termoelektrana izlazi iz pogona pa je realnije analizirati injekciju manjih snaga u kratkom vremenskom intervalu. Potrebno je odrediti vrijednost parametra statičnosti R_{FNE} uz koji će sva rezerva snage biti injektirana u mrežu unutar prvih 100 ms od nastanka poremećaja. Kao i u slučaju analize nadira frekvencije, i za analizu ROCOF-a potrebno je prvo odrediti koeficijente parabole za aproksimaciju frekvencijskog odziva. S obzirom da se želi aproksimirati samo početni dio krivulje frekvencijskog odziva, set točki (t_1 , t_2 i t_3) za dobivanje parabolične aproksimacija sustava treba postaviti na vrijednosti manje od 0,1. Stoga, ubacivanjem točki $t_1 = 0$, $t_2 = 0,05$, $t_3 = 0,1$ u (5.8) dobivaju se koeficijenti parabole a , b i c . Glavni cilj je dobiti funkciju ovisnosti odziva snage FNE-a o parametru statičnosti R_{FNE} . Odziv snage FNE-a računa se prema izrazu (5.33):

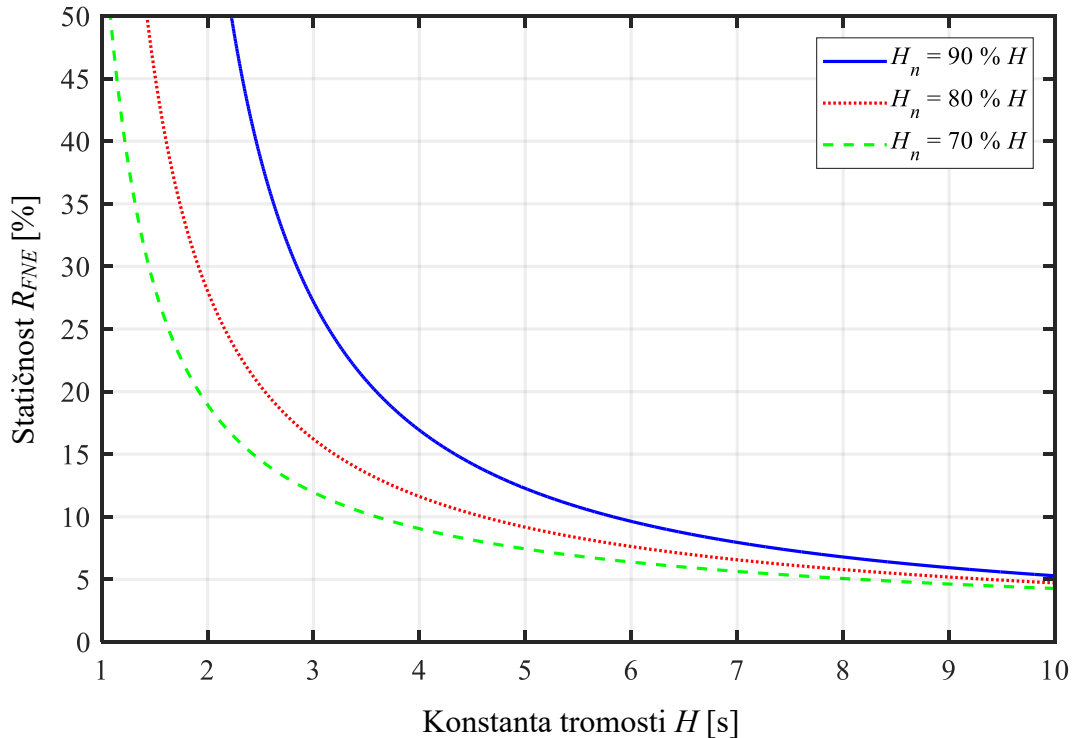
$$P_{FNE}(R_{FNE}, H, t) = \mathcal{L}^{-1}\{F_{pret}(s) \cdot FNE(s)\} \quad (5.33)$$

pri čemu $FNE(s)$ predstavlja prijenosnu funkciju FN sustava koja je dana u izrazu (5.21).

Iz izraza (5.27) moguće je dobiti iznos rezerve snage FNE-a kao funkciju u ovisnosti konstante tromosti H tj. $P_{rez}=f(H)$, uz razmatranu veličinu poremećaja u iznosu $P_L=0.05$ p.u. Navedeni izrazi tj. funkcije dobivaju se korištenjem nekih matematičkih alata jer se mogu sastojati od nekoliko tisuća članova te zbog toga se ovdje ne zapisuju eksplicitno. Konačno, izjednačavanjem izraza (5.33) i $P_{rez}=f(H)$, dobiva se funkcija ovisnosti potrebne vrijednosti statičnosti R_{FNE} pri kojoj FNE injektira svu rezervu snage u mrežu unutar $t=0.1$ s.

$$P_{FNE}(R_{FNE}, H, 0.1) = P_{rez}(H) \quad (5.34)$$

Na slici 5.13 prikazan je graf funkcije u (5.34) tj. ovisnost statičnosti R_{FNE} o konstanti tromosti. Tri krivulje na slici 5.13 (plava, crvena i zelena) predstavljaju različite slučajeve postotnih smanjenja konstante tromosti uslijed priključenja FNE-a u sustav.



Slika 5.13. Potrebna statičnost R_{FNE} za maksimalno smanjenje ROCOF-a

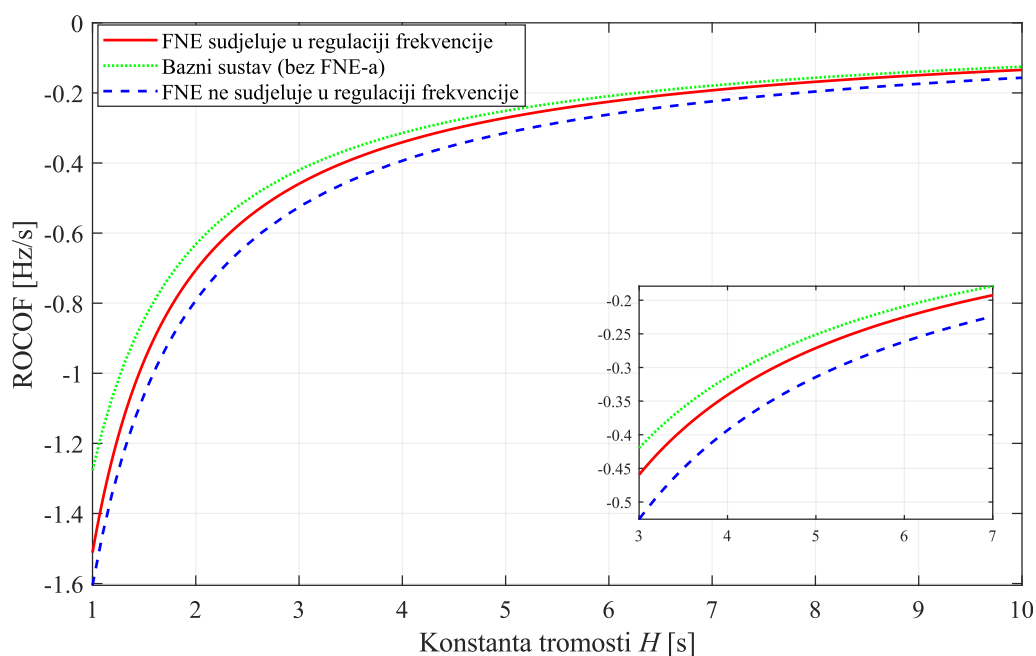
Primjer iščitavanja rezultata na slici 5.13 je sljedeći: ako je konstanta tromosti nekog sustava jednaka $H=6s$ i ako smanjenje konstante tromosti uslijed priključenja FNE-a iznosi $H_n=90\% H$ (plava krivulja), tada za ostvarenje maksimalnog doprinosa smanjivanja ROCOF-a iznos statičnosti treba biti manji od 10% tj. $R_{FNE} < 10\%$. Promatrajući sve krivulje na slici 5.13, može se zaključiti da postavljanje statičnosti na $R_{FNE} \leq 5\%$ osigurava najveći doprinos smanjivanju vrijednosti ROCOF-a u $t=100$ ms.

Nakon što je određena minimalna potrebna vrijednost statičnosti R_{FNE} , provodi se ROCOF analiza. Parametri koji utječu na ROCOF u $t=100$ ms su konstanta tromosti H , rezerva snage FNE-a P_{rez} , trenutak d u kojem FNE postiže maksimalnu izlaznu snagu te statičnost R_{FNE} . S obzirom da je frekvencijski odziv aproksimiran kvadratnom funkcijom te da ROCOF predstavlja promjenu frekvencije u vremenu, potrebno je samo derivirati kvadratnu funkciju da bi se dobio izraz za ROCOF u ovisnosti koeficijenata kvadratne funkcije a , b i c :

$$ROCOF(H, P_{rez}, d, t) = f'_{pret.}(t) = (2at + b) \cdot 50 \quad (5.35)$$

Za razliku od analize nadira frekvencije u kojoj vrijednost za d ne mora biti točno određena jer nema velik utjecaj na iznos f_{nadir} , u ROCOF analizi vrijednost za d mora biti točno određena jer značajno utječe na iznos ROCOF-a. S obzirom na značenje parametra d , pomoću izraza (5.34) te uz postavljanje parametara $t=d$ i $R_{FNE}=4\%$, može se dobiti d kao funkcija od H tj. $d=f(H)$. Ubacivanjem dobivene funkcije $d=f(H)$ i prethodno dobivene funkcije $P_{rez}=f(H)$ u (5.35) te uz postavljanje $t=100$ ms, dobiva se funkcija ROCOF-a u ovisnosti o konstanti tromosti H .

Slika 5.14 prikazuje usporedbu ROCOF-a za tri različite situacije: u baznom sustavu (zeleno krivulja), u sustavu kad je FNE priključena (zamjena hidroelektrane), ali ne sudjeluje u regulaciji frekvencije (plava krivulja) te u sustavu kad je FNE priključena i uz to sudjeluje u regulaciji frekvencije (crvena krivulja). Analiza je provedena uz poremećaj $P_L=0.5$ p.u. te uz smanjenje konstante tromosti od 20% uslijed priključenja FNE-a u sustav (plava i crvena krivulja). Rezultati pokazuju da zamjena hidroelektrane s FNE-om u prosjeku uzrokuje povećanje ROCOF-a za 100 mHz/s, ali omogućavanje sudjelovanja FNE-u u regulaciji frekvencije može pridonijeti smanjivanju povećanja ROCOF-a. Ako FNE održava rezervu snage na minimalno potrebnom iznosu (optimalnom), ROCOF u $t=100$ ms može se poboljšati u određenoj mjeri, ali ne može biti istom iznosu kao u baznom sustavu. Međutim, povećanjem iznosa rezerve snage FNE-a (veći iznos od optimalnog) vrijednost ROCOF-a može postati čak i niža nego u slučaju baznog sustava.



Slika 5.14: Ovisnost ROCOF-a o konstanti tromosti

6 UPRAVLJAČKI ALGORITAM ZA SUDJELOVANJE FOTONAPONSKE ELEKTRANE U REGULACIJI FREKVENCije U SLUČAJU LANČANOG POREMEĆAJA

Ovo poglavlje usmjereno je na razvoj upravljačkog algoritma za sudjelovanje fotonaponskih elektrana u regulaciji frekvencije. Naime, fotonaponske elektrane spojene su na mrežu preko sučelja energetske elektronike čime su u potpunosti neosjetljive na promjene mrežne frekvencije te kao takve nemaju inherentno svojstvo inercijskog odziva. Dakle, cilj ove cjeline je razviti upravljački algoritam koji će biti osjetljiv na promjene frekvencije te na taj način omogućiti pravovremeno reagiranje fotonaponske elektrane tijekom odstupanja frekvencije od nazivne vrijednosti. Ideja ovog istraživanja motivirana je činjenicom da pretvarači, preko kojih su fotonaponske elektrane spojene na mrežu, mogu postići veoma brz dinamički odziv. To znači da ako ove elektrane mogu u vrlo kratkom roku injektirati dodatnu snagu u mrežu, onda bi jednako tako brzo mogle i obnoviti snagu rezerve. To bi pružilo sustavu dodatnu razinu pouzdanosti jer bi ove elektrane bile sposobne pružiti doprinos u slučaju višestrukih uzastopnih poremećaja.

6.1 PREGLED DOSADAŠNJIH ISTRAŽIVANJA

Važnost sudjelovanja FNE-a u regulaciji frekvencije prepoznao je australski EES koji je postao jedan od prvih sustava koji je uveo djelomičnu obvezu sudjelovanja u primarnoj regulaciji frekvencije za FNE [99]. Djelomična obveza znači da FNE još uvijek nisu dužne održavati rezervu snage, međutim ako u nekom trenutku, kada FNE rade sa smanjenom izlazno snagom zbog mrežnih ograničenja, dođe do poremećaja i pada frekvencije, FNE moraju biti sposobne povećati svoju izlaznu u skladu s postavljenim iznosom statičnosti R_{FNE} te tako reagirati na pojavu odstupanja frekvencije od nazivne vrijednosti. Dinamički odziv FNE-a uvelike ovisi o postavljenom iznosu statičnosti.

Pregledom literature ustanovljeno je da ne postoji konsenzus o nekoj točno određenom iznosu statičnosti nego se kroz razne radove mogu pronaći korištene različite vrijednosti za statičnost, najčešće u intervalu 1% do 5%. U [79], promjena snage FNE-a tijekom pada frekvencije definirana je uz statičnost $R_{FNE}=2\%$, dok se u [19] koristi statičnost $R_{FNE}=3\%$. Testiranje sposobnosti sudjelovanja u regulaciji frekvencije FNE-a u američkom EES-u [100]

dalo je zadovoljavajuće rezultate uz korištenu statičnost $R_{FNE}=5\%$. Istraživanje provedeno u [101] analizira mogućnosti pružanja doprinosa frekvencijskom odzivu pomoću FNE-a spojenih na prijenosnu mrežu. U tom slučaju koristi se statičnost $R_{FNE}=3\%$. U već ranije spomenutom radu [92] kroz prethodna poglavlja koji je predstavio istraživanja regulacije frekvencije na stvarnim FNE-ima provedena od strane Nacionalnog laboratorija za obnovljive izvore energije NREL (engl. *National Renewable Energy Laboratory*), statičnost je definirana na dvije vrijednosti $R_{FNE}=3\%$ i $R_{FNE}=5\%$.

U svim gore navedenim radovima koristi se isključivo konstantna vrijednost za statičnost. Prednost takve izvedbe je jednostavnost, dok je nedostatak činjenica da FNE-i na takav način mogu doprinijeti samo jednom, odnosno prvom poremećaju te znači da se ne iskorištava puni potencijal brzog dinamičkog odziva koji FNE ostvaruje. Drugim riječima, tek nakon što sekundarna regulacija frekvencije vrati frekvenciju na nazivnu vrijednost, što može potrajati do 10 ili 15 minuta, FNE obnavlja rezervu snagu te postaje sposobna reagirati na novi poremećaj. Sposobnost reagiranja na nekoliko uzastopnih poremećaja, odnosno lančane poremećaje i pružanja doprinosa regulaciji frekvencije u kratkom vremenskom intervalu veoma je važno jer takve situacije uvelike ugrožavaju stabilnost sustava. Jedna takva situacija uzrokovala je raspad švedskog i danskog EES-a [102]. Nakon što se dogodio prvi poremećaj od 1200 MW, sustav se uspio stabilizirati, međutim, nekoliko minuta kasnije dogodio se novi poremećaj koji je doveo do raspada sustava. Pregled poznatijih raspada EES-a diljem svijeta dan je u [103].

Da bi FNE mogla pružiti doprinos višestrukim uzastopnim poremećajima, mora se omogućiti brza obnova rezerve snage nakon što se pruži doprinos sustavu tijekom prvog poremećaja. To se može postići implementacijom promjenjive statičnosti, ali je potrebno odrediti sljedeće dvije stavke:

- a) Trenutak u kojem započinje obnova rezerve snage
- b) Krivulja obnove rezerve snage

Objektive gore navedene stavke moraju se pažljivo razmotriti kako bi se izbjegla pojava naknadnog propada frekvencije (engl. *secondary frequency dip*). Naknadni propad frekvencije već je poznat kao nuspojava kod inercijskog odziva vjetroelektrana [104], [105]. Ovaj fenomen također je uočen i prilikom FNE sudjelovanja u regulaciji frekvencije [106].

Postoji nekoliko radova u literaturi koji uvode pojam promjenjive statičnosti [107]–[110]. Metoda obnove rezerve snage FNE-a koristeći promjenjivu statičnost nakon djelovanja primarne regulacije frekvencije predložena je u [107], ali u radu nedostaje rasprava o promjeni statičnosti kao i sveukupna implementacija metode. U nedavno objavljenoj studiji [108]

obrađuje se problem obnove rezerve snage FNE-a. Pristup u studiji temelji se na promjenjivoj vrijednosti statičnosti. Metoda se pokazala uspješnom u smislu obnove rezerve snage, međutim nedostatak metode je upravo gore spomenuta pojava naknadnog propada frekvencije jer tijekom obnove rezerve snage, u sustavu dolazi do naglog manjka snage što uzrokuje novi pad frekvencije. Koncept promjenjive statičnosti može se pronaći i u [109], ali je svrha suprotna, odnosno promjenjiva statičnost se koristi kako bi se održala maksimalna proizvodnja snage tijekom promjene frekvencije. U [110], statičnost FNE-a dinamički se mijenja prema uvjetima u sustavu kako bi se dobio i održao željeni odziv snage FNE-a, ali situacija potpune obnove rezerva snage nije razmotrena.

Općenito, metode iz literature mogu se klasificirati prema vrsti statičnosti R_{FNE} :

- Konstantna statičnost [19], [79], [92], [100], [101]: moguća samo djelomična obnova rezerve snage uz visoke vrijednosti statičnosti, ali to neizbježno umanjuje učinak na poboljšanje vrijednosti f_{nadir} .
- Promjenjiva statičnost [107]–[110]: moguća potpuna obnova rezerve snage, ali uzrokuje pojavu naknadnog propada frekvencije [107], [108] ili se ne razmatra mogućnost pružanja odziva u lančanim poremećajima [108]–[110].

Kako bi se poboljšali utvrđeni nedostaci postojećih metoda u literaturi, u disertaciji se predstavlja novi algoritam upravljanja FNE-om koji omogućuje brzi oporavak rezerve snage [2]. To čini FNE sposobnom pružiti podršku svakom pojedinačnom događaju u lančanom poremećaju. Proces obnove rezerve snage odvija se u manje od 10 sekundi i ne uzrokuje pojavu naknadnog pada frekvencije aktiviranjem procesa obnove u točnom određenom trenutku kada u sustavu postoji privremeni višak snage (slika 4.8). Pojava viška snage posljedica je tromosti sustava i nemogućnosti trenutne promjene snage što na kraju uzrokuje oscilacijski odziv.

6.2 RAZVOJ UPRAVLJAČKOG ALGORITMA

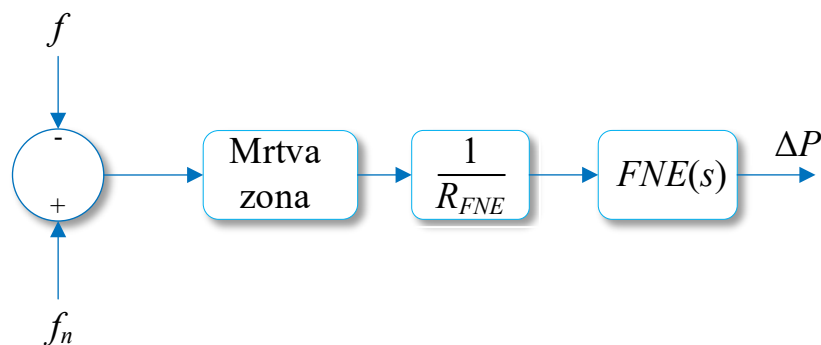
Upravljački algoritam za sudjelovanje FNE-a u regulaciji frekvencije u slučaju lančanog poremećaja sastoji se od dva operativna mehanizma:

Mehanizam 1: funkcija ovog mehanizma je omogućavanje sudjelovanja FNE-a u primarnoj regulaciji frekvencije

Mehanizam 2: funkcija ovog mehanizma je provođenje obnove rezerve snage kako bi se omogućila pripravnost FNE-a za naredne poremećaje.

A. Mehanizam 1:

Funkcija ovog mehanizma je sudjelovanje FNE-a u primarnoj regulaciji frekvencije te je ostvarena prema već široko zastupljenoj metodi statičnosti (metoda opisana u poglavlju 5). FNE radi u ne-optimalnoj radnoj točki tj. točki ispod MPP-a te na taj način održava određenu rezervu snage. Korištena metoda statičnosti u ovom slučaju je metoda konstantne statičnosti pri čemu su uobičajene vrijednosti statičnosti u intervalu od 1% do 5%. Shema izvedbe ovog mehanizma prikazana je na slici 6.1.



Slika 6.1: Mehanizam 1 – metoda statičnosti

B. Mehanizam 2:

Funkcija ovog mehanizma je provedba obnove rezerve snage u što kraćem vremenu bez pogoršavanja frekvencijskog odziva sustava. Dva glavna cilja algoritma su:

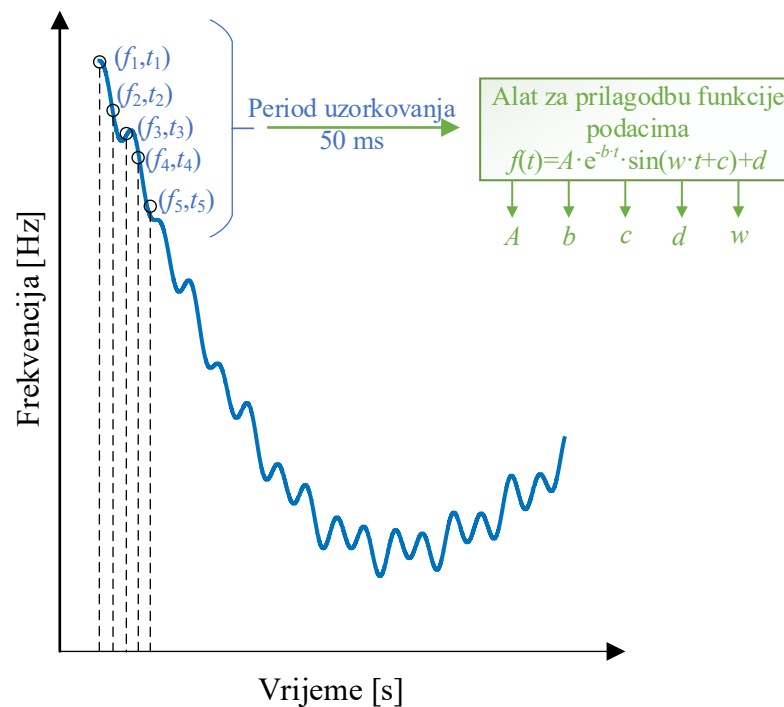
- 1) Određivanje trenutka početka procesa obnove rezerve snage (f_{Pmax} na slici 4.8).
- 2) Proces obnove rezerve snage

Proces obnove rezerve snage započinje u onom trenutku kada frekvencija dosegne vrijednost f_{Pmax} (vrijednost frekvencije u kojoj je odziv snage sustava maksimalan) jer tada u sustavu postoji određeni višak snage te je to idealan trenutak za FNE da prestane injektirati rezervu snage u mrežu. Taj trenutak f_{Pmax} određen je izrazom (4.26) te se radi praktičnosti ovdje ponovo ispisuje:

$$f_{Pmax} = 2 \cdot e^{-\frac{b}{w} \arctan\left(\frac{w}{b}\right)} \cdot \frac{b}{\sqrt{w^2 + b^2}} \cdot (f_{nadir} - d) + d \quad (6.1)$$

Za izračun f_{Pmax} potrebno je odrediti koeficijente funkcije eksponencijalno prigušene sinusoide b , w i d te nadir frekvencije f_{nadir} . Za određivanje koeficijenata b , w i d u stvarnom vremenu koristi se alat za prilagodbu funkcije podacima tj. mjerenjima frekvencije. Budući da funkcija eksponencijalno prigušena sinusoida ima 5 parametara, alat za prilagodbu funkcije podacima

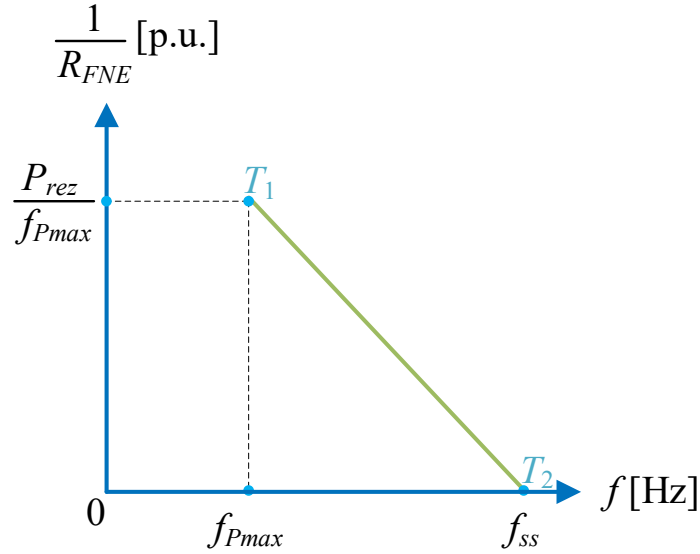
zahtijeva najmanje 5 mjerenja za početak izračuna. S obzirom da može proći desetak sekundi prije nego frekvencija dostigne najnižu vrijednost, odnosno f_{nadir} , korištenje perioda uzorkovanja frekvencije od 50 ms osigurava dovoljan broj točki za točnu aproksimaciju. Ilustracija tog procesa prikazana je na slici 6.2. Proces uzorkovanja i određivanja koeficijenata b , w i d prestaje kada frekvencije dosegne vrijednost f_{Pmax} . Osim koeficijenata b , w i d potrebno je odrediti i vrijednost f_{nadir} , međutim to se jednostavno ostvaruje blokom koji na ulaz prima mjerenu frekvenciju, a na izlaz propušta najmanju dotad pristiglu vrijednost.



Slika 6.2: Ilustracija procesa određivanja koeficijenata b , w i d

U trenutku kada frekvencija dostigne određenu vrijednost f_{Pmax} , započinje proces obnove rezerve snage. Da bi se obnovila rezerva snage, FNE mora smanjiti proizvodnju snage do razine na kojoj je bila prije poremećaja. Smanjivanje snage treba se odvijati glatko i postepeno kako bi se izbjegle nagle promjene snage što može dovesti do novog propada frekvencije. Za ostvarivanje funkcije smanjivanja snage na željeni način, koristi se dinamička promjena statičnosti. Dinamičkim povećanjem statičnosti R_{FNE} , odnosno smanjivanjem pojačanja $1/R_{FNE}$, dolazi do smanjivanja proizvodnje snage. U disertaciji je razvijeno linearno smanjivanje pojačanja $1/R_{FNE}$ kao funkcija u ovisnosti frekvencije. Slika 6.3 prikazuje graf funkcije promjene pojačanja $1/R_{FNE}$ u ovisnosti frekvencije. Početna vrijednost pojačanja $1/R_{FNE}$ za

iznos frekvencije f_{Pmax} računa se kao omjer rezerve snage P_{rez} [p.u.] i f_{Pmax} [p.u.], dok se krajnja vrijednost 0 postiže kad frekvencija dostigne privremenu stacionarnu vrijednost f_{ss} .



Slika 6.3: Promjena statičnosti kao funkcija frekvencije sustava

Prema slici 6.3, matematički zapis promjene statičnosti dan je sljedećim izrazom:

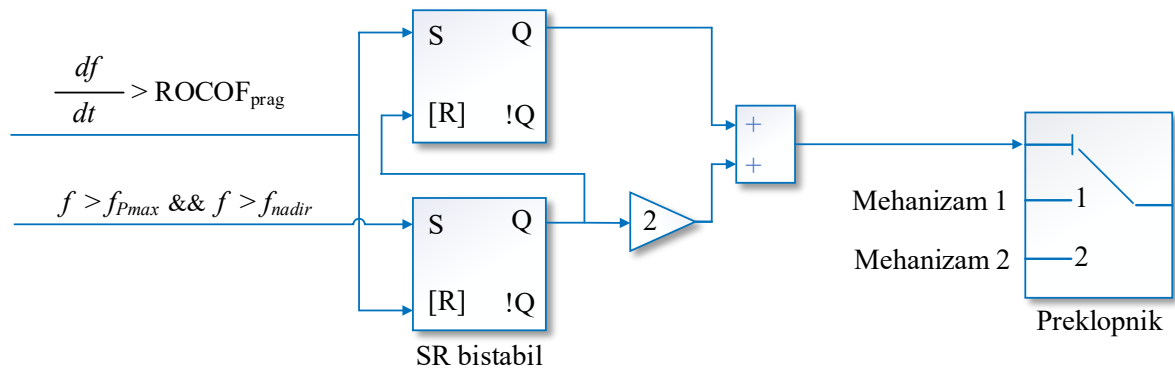
$$\frac{1}{R_{FNE}}(f) = a \cdot f + b \quad (6.2)$$

pri čemu su a i b koeficijenti linearne funkcije. Svaki pravac određen je s točno dvije točke, stoga poznavanjem dvije različite točke, koeficijenti a i b mogu se odrediti. S obzirom na točke T_1 i T_2 na slici 6.3, dobiveni su koeficijenti a i b prema sljedećim izrazima:

$$a = \frac{P_{rez}}{f_{Pmax[p.u.]} \cdot (f_{Pmax} - f_{ss})} = \frac{f_n \cdot P_{rez}}{(f_n - f_{Pmax})(f_{Pmax} - f_{ss})} \quad (6.3)$$

$$b = -f_{ss} \frac{f_n \cdot P_{rez}}{(f_n - f_{Pmax})(f_{Pmax} - f_{ss})} \quad (6.4)$$

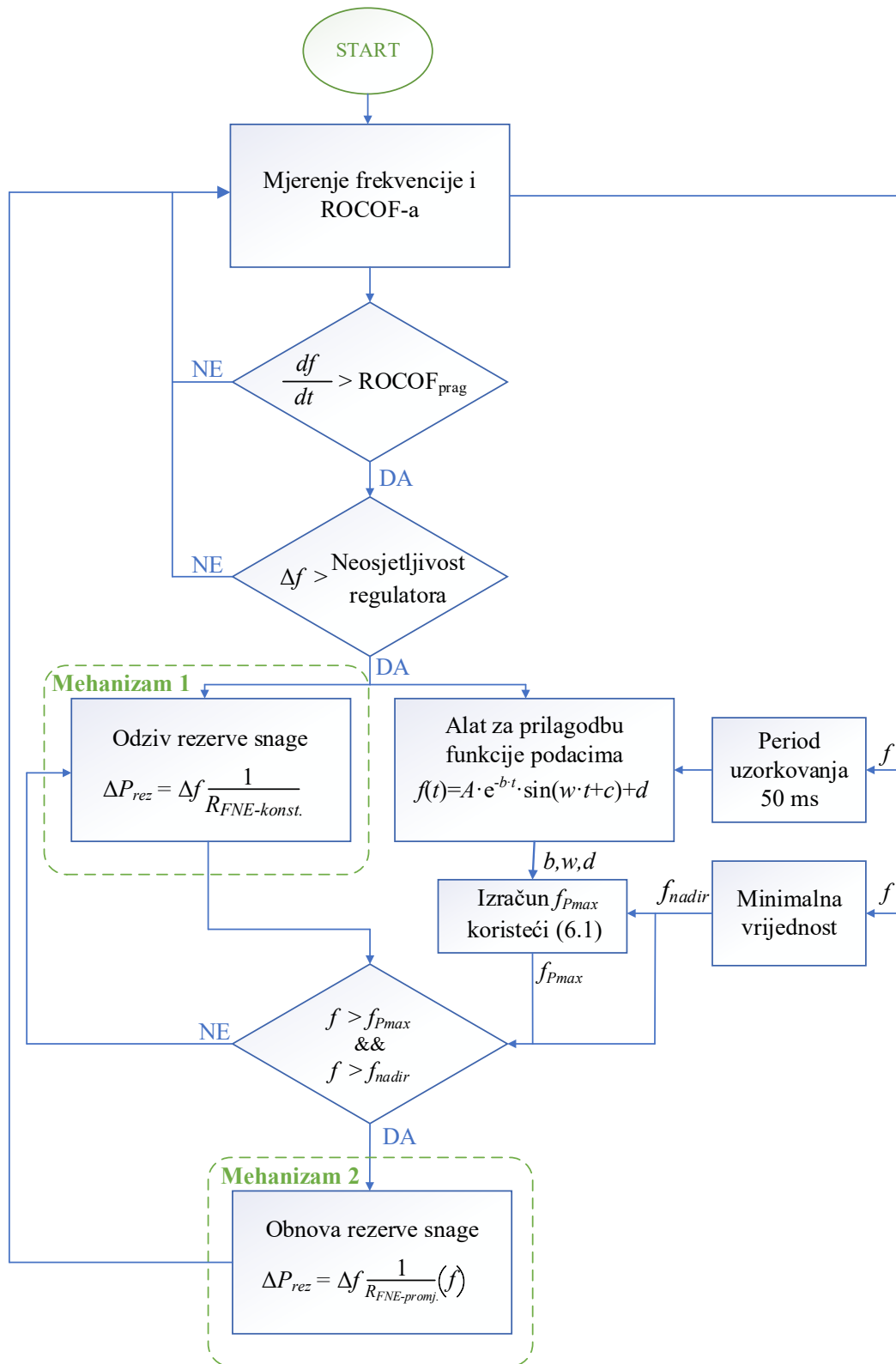
Koordinacija i pravovremeno uključivanje funkcija opisanih kroz mehanizam 1 i mehanizam 2 ključni su koraci za pravilno funkcioniranje cijelog upravljačkog sustava. Mehanizam 1 aktivira se kada ROCOF-a dostigne vrijednost postavljenog praga, a Mehanizam 2 aktivira se kada frekvencija dostigne vrijednost f_{Pmax} (dodatni uvjet je i da je frekvencija u tom trenutku veća od dotad najniže izmjerene vrijednosti). Sustav koordinacije mehanizama prikazan je na slici 6.4 te osim aktiviranja određenih mehanizama, dodatna funkcija sustava je sprečavanje istovremene aktivacije oba mehanizma te je to postignuto korištenjem dvaju SR bistabil blokova.



Slika 6.4: Upravljački sustav za koordinaciju aktiviranja pojedinih mehanizama

Dijagram toka kompletnog upravljačkog algoritma za sudjelovanje fotonaponske elektrane u regulaciji frekvencije u slučaju lančanog poremećaja dan je na slici 6.5.

Algoritam započinje mjerenjima frekvencije i ROCOF-a koja se prosljeđuju u blokove za ispitivanje uvjeta. Kada je mjerena vrijednost ROCOF-a iznad postavljene vrijednosti praga (npr. -1 Hz/s) te vrijednost frekvencije izvan okvira neosjetljivosti regulatora, FNE injektira rezervu snage u mrežu s obzirom na odstupanje frekvencije od nazivne vrijednosti te statičnost. Paralelno s tom radnjom, mjerenja frekvencije svakih 50 ms šalju se u alat za prilagodbu funkcije podacima. Tu se na osnovu pristiglih podataka mjerenja frekvencije izračunavaju koeficijenti funkcije eksponencijalno prigušene sinusoide. Dobiveni koeficijenti šalju se u blok za izračun vrijednosti frekvencije f_{Pmax} na kojoj započinje proces obnove rezerve snage FNE-a. U trenutku kada frekvencija dostigne vrijednost f_{Pmax} , pod uvjetom da je trenutna vrijednost frekvencije veća od dotad najmanje izmjerene vrijednosti frekvencije, započinje proces obnove rezerve snage pri čemu FNE postepeno smanjuje svoju proizvodnju snage što se postiže dinamičkom promjenom statičnosti. FNE smanjuje izlaznu snagu do razine na kojoj je bila prije nego se dogodio poremećaj te na taj se način ponovo održava zadana rezerva snage.



Slika 6.5: Dijagram toka razvijenog upravljačkog algoritma

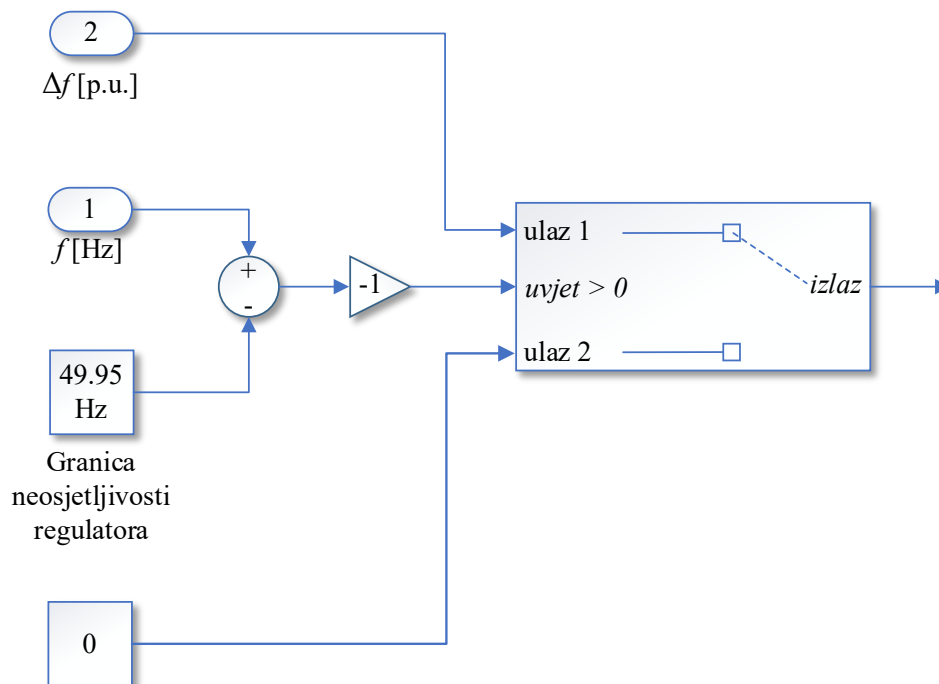
6.2.1 MODEL UPRAVLJAČKOG ALGORITMA U MATLAB/SIMULINKU

U ovom poglavlju dana je implementacija kompletnog modela razvijenog upravljačkog algoritma u okruženju programskog alata MATLAB/Simulink. Model se sastoji od 8 podsustava:

- a) Neosjetljivost regulatora
- b) Promjena snage prema konstantnoj statičnosti
- c) Određivanje minimalne vrijednosti frekvencije f_{nadir}
- d) Izračun točke f_{Pmax}
- e) Izračun statičnosti za vrijednost frekvencije f_{Pmax}
- f) Aktivacija procesa obnove rezerve snage
- g) Dinamička promjena statičnosti
- h) Koordinacija mehanizama

Neosjetljivost regulatora:

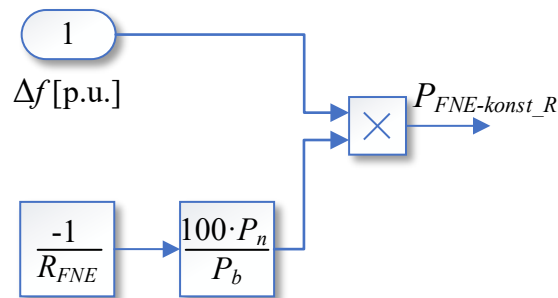
Blokovski razvoj ove funkcije prikazan je na slici 6.6. Željena funkcija ostvarena je pomoću bloka preklopnik (engl. *switch*) koji na srednjem ulazu ispituje postavljeni uvjet te ako je uvjet zadovoljen, na izlazu propušta signal na ulazu 1, a u protivnom signal na ulazu 2. Granica neosjetljivosti regulatora postavljena je u ovom slučaju na 50 mHz (49.95 Hz).



Slika 6.6: MATLAB/Simulink model neosjetljivosti regulatora

Promjena snage prema konstantnoj statičnosti:

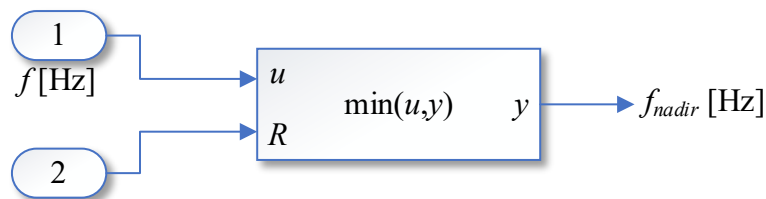
Blokovski razvoj ove funkcije prikazan je na slici 6.7. Prema definiciji metode statičnosti, funkcija je dobivena množenjem odstupanja frekvencije od nazivne vrijednosti i koeficijenta statičnosti u jediničnim vrijednostima.



Slika 6.7: MATLAB/Simulink model promjene snage prema konstantnoj statičnosti

Određivanje minimalne vrijednosti frekvencije f_{nadir} :

Blokovski razvoj ove funkcije prikazan je na slici 6.8. Željenu funkciju izvršava blok $\min(u,y)$ koji na izlaz y propušta dotad najmanju pristiglu vrijednost na ulaz. Ulaz R predstavlja vraćanje bloka u u početno stanje te se aktivira na vrijednost 1. U bloku $\min(u,y)$ postavlja se početna vrijednost na 50.

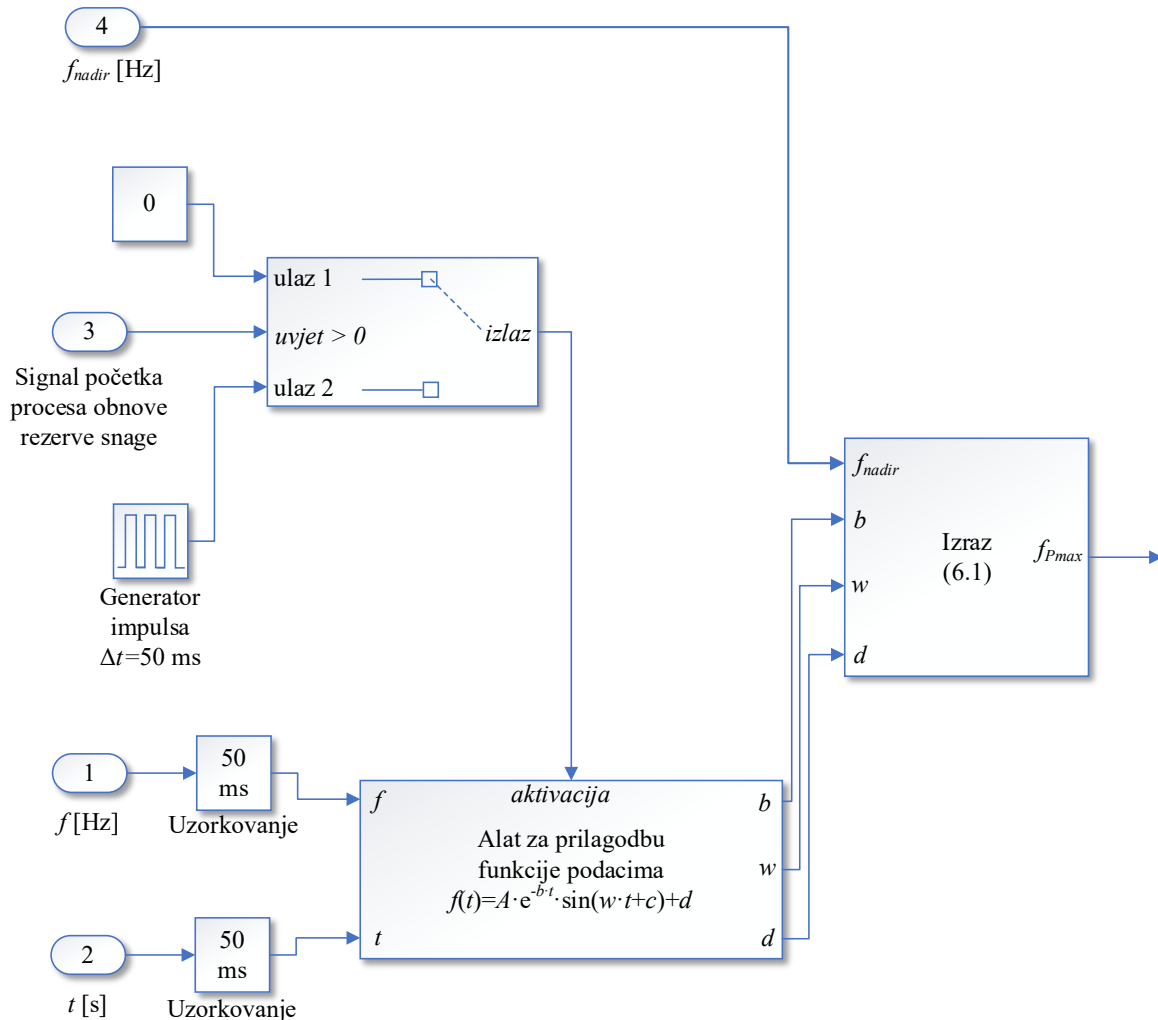


Slika 6.8: MATLAB/Simulink model određivanja nadira frekvencije f_{nadir}

Izračun točke f_{Pmax} :

Blokovski razvoj ove funkcije prikazan je na slici 6.9. Sustav se sastoji od tri podsustava sa sljedećim funkcijama: uzorkovanje frekvencije, alat za prilagodbu funkcije podacima tj. izračunavanje koeficijenata b , w i d , izračun vrijednosti frekvencije f_{Pmax} . Parovi podataka vremena i frekvencije $[(t_1, f_1), (t_2, f_2), \dots, (t_n, f_n)]$ dobivaju se blokom za uzorkovanje signala (engl. *Tapped Delay Line*) te se ti podaci prosljeđuju na ulaz u blok alat za prilagodbu funkcije podacima koji na izlazu daje koeficijente b , w i d . Dobiveni koeficijenti b , w i d i f_{nadir} šalju se

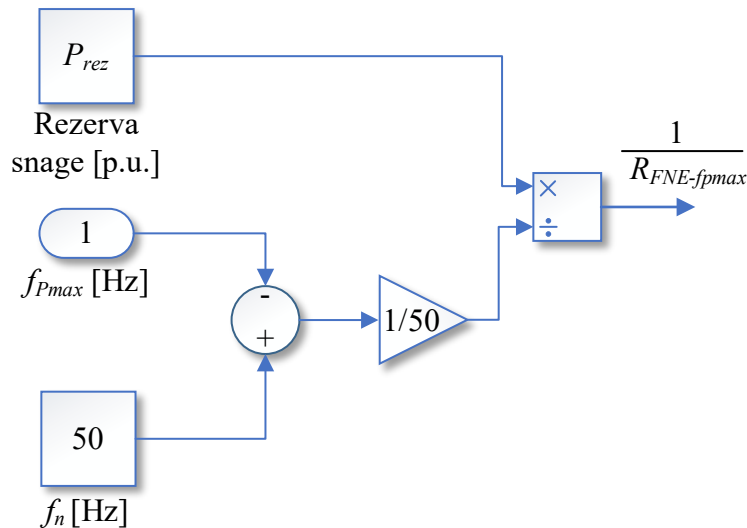
u blok matematičke funkcije (6.1) gdje se konačno izračunava f_{Pmax} . Alat za prilagodbu funkcije podacima svakih 50 ms prima nove parove podataka (t, f) i ponavlja proces dobivanja koeficijenata b , w i d . Izračun koeficijenata prestaje kad na aktivacijski ulaz dođe signal koji označava početak procesa obnove rezerve snage.



Slika 6.9: MATLAB/Simulink model za izračun točke f_{Pmax}

Izračun statičnosti za vrijednost frekvencije f_{Pmax} :

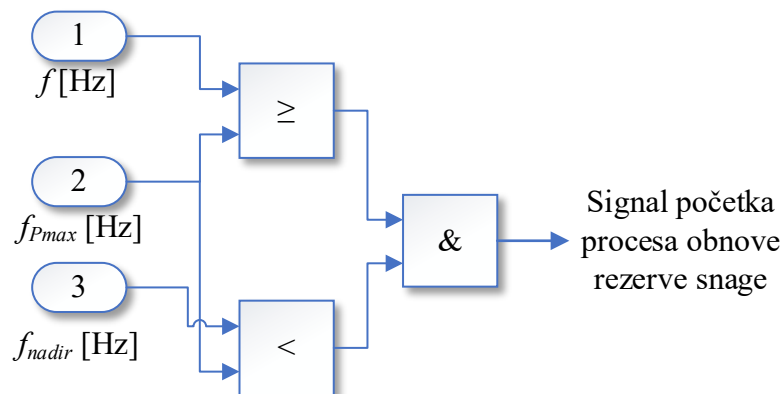
Blokovski razvoj ove funkcije prikazan je na slici 6.10. Svrha ovog podsustava je odrediti takvu vrijednost statičnosti R_{FNE} da je za vrijednost frekvencije f_{Pmax} , injekcija rezerve snage maksimalna. Funkcija se ostvaruje dijeljenjem rezerve snage i odstupanja frekvencije f_{Pmax} od nazivne vrijednosti u jediničnim vrijednostima.



Slika 6.10: MATLAB/Simulink model za izračun statičnosti za vrijednost frekvencije f_{Pmax}

Aktivacija procesa obnove rezerve snage:

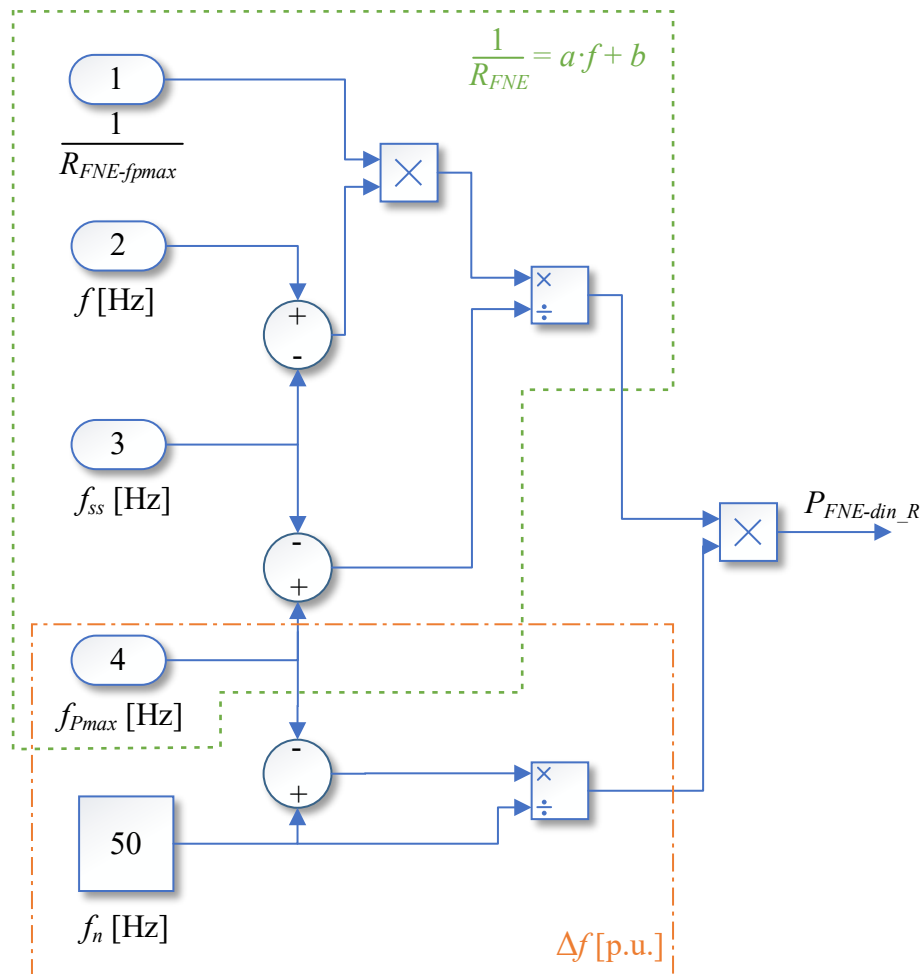
Blokovski razvoj ove funkcije prikazan je na slici 6.11. Svrha ovog podsustava je proizvesti signal koji će zaustaviti izračun koeficijenata b , w i d te prebaciti upravljački algoritam u Mehanizam 2 u kojem se provodi proces obnove rezerve snage FNE-a. Na izlazu iz bloka pojavljuje se jedinica samo kada su istovremeno zadovoljena oba uvjeta: $f > f_{Pmax}$ i $f_{Pmax} > f_{nadir}$. To se ostvaruje korištenjem logičkog operatora „i“ (&).



Slika 6.11: MATLAB/Simulink model aktivacije procesa obnove rezerve snage

Dinamička promjena statičnosti:

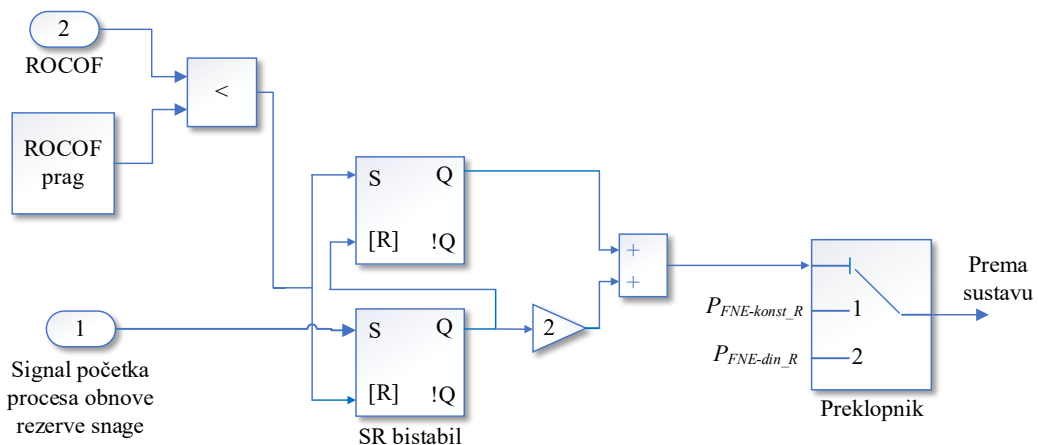
Blokovski razvoj ove funkcije prikazan je na slici 6.12. Dinamička promjena statičnosti odvija se prema linearnoj funkciji opisanoj s (6.2)-(6.4). U trenutku kada frekvencija dosegne vrijednost f_{Pmax} , iznos statičnosti je $R_{FNE-fpmax}$, dok u trenutku kada frekvencije dosegne vrijednost f_{ss} , iznos statičnosti se približuje beskonačnosti.



Slika 6.12: MATLAB/Simulink model dinamičke promjene statičnosti

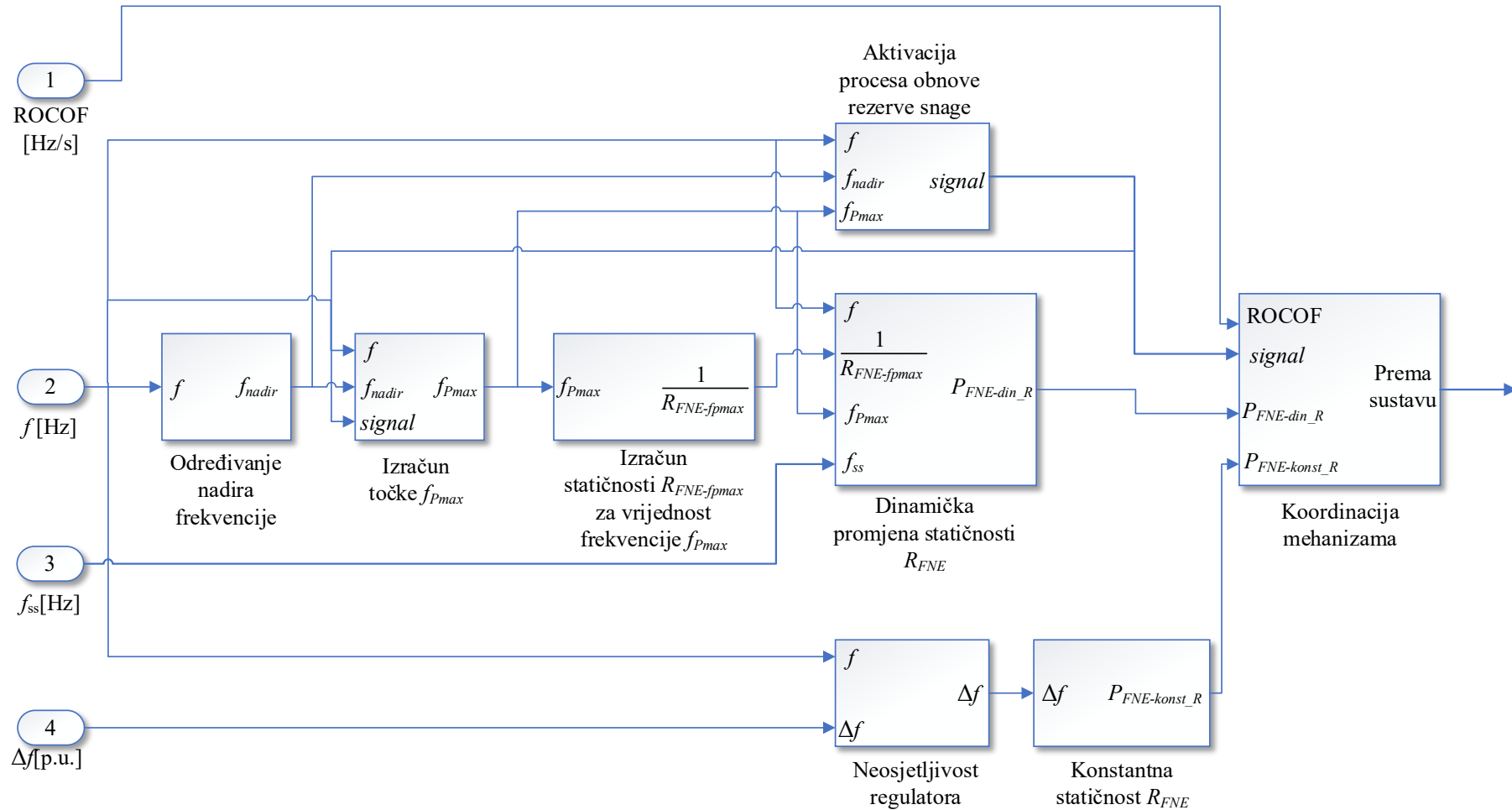
Koordinacija mehanizama:

Blokovski razvoj ove funkcije prikazan je na slici 6.13. Svrha ovog podsustava je uključivanje jednog od dvaju načina rada: sudjelovanja u regulaciji frekvencije i proces obnove rezerve snage. Osim toga, potrebno je i spriječiti istovremenu aktivaciju oba načina rada.



Slika 6.13: MATLAB/Simulink model za koordinaciju načina radova

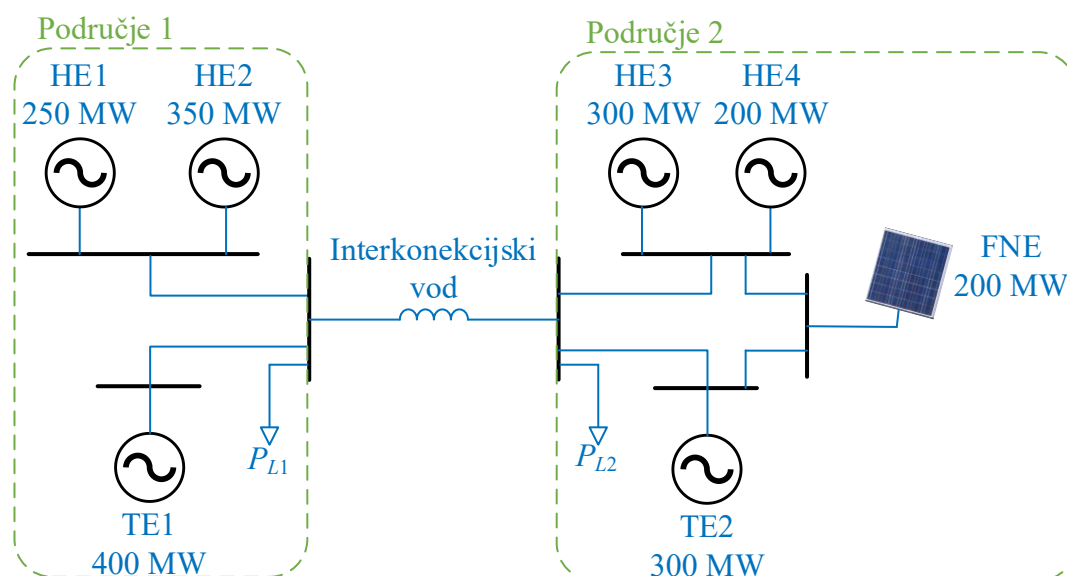
Kombinacijom svih razvijenih podsustava (slike 6.6 - 6.13), dobiven je kompletan model upravljačkog algoritma za sudjelovanje fotonaponske elektrane u regulaciji frekvencije u slučaju lančanog poremećaja. Model je prikazan na slici 6.14.



Slika 6.14: MATLAB/Simulink model upravljačkog algoritma

6.3 REZULTATI

Učinkovitost razvijenog upravljačkog algoritma testirana je na višestrojnom dvopodručnom EES-u. Shematski dijagram testnog EES-a prikazan je na slici 6.15. Nazivni kapacitet EES-a je 2 GW. Područje 1 sastoji se od jedne termoelektrane snage $P_{TE1}=400$ MW i dvije hidroelektrane snaga $P_{HE1}=250$ MW, $P_{HE2}=350$ MW. Područje 2 sastoji od jedne termoelektrane snage $P_{TE2}=300$ MW, dvije hidroelektrane snaga $P_{HE3}=300$ MW, $P_{HE4}=200$ MW te jedne fotonaponske elektrane snage $P_{FNE}=200$ MW. Područja su povezana interkonekcijskim vodom nazivnog kapaciteta 150 MW. Sve elektrane sudjeluju u primarnoj i sekundarnoj regulaciji frekvencije. Modeli hidroelektrana i termoelektrana prethodno su već dani izrazima (4.7) i (4.8) u poglavlju 4. Parametri sustava dani su u tablici 6.1.



Slika 6.15: Testni sustav za ispitivanje učinkovitosti razvijenoga upravljačkog algoritma

Provode se 3 studije slučaja:

- Slučaj 1: Ispitivanje mogućnosti obnove rezerve snage FNE-a
- Slučaj 2: Ispitivanje mogućnosti pružanja doprinosa regulaciji frekvencije u slučaju lančanog poremećaja
- Slučaj 3: Ispitivanje mogućnosti pružanja doprinosa regulaciji frekvencije u slučaju raspada sustava

Tablica 6.1: Parametri sustava

Parametar	Područje 1			Područje 2			
	HE1	HE2	TE1	HE3	HE4	TE2	FNE
Nazivna snaga [MW]	250	350	400	300	200	300	200
Konstanta tromosti H [s]	5	4	6	3,5	4	5,5	-
Statičnost R [%]	5%	4%	5%	4%	5%	5%	3%
Vremenska konstanta T_G [s]	0,25	0,2	0,2	0,3	0,2	0,25	0,01
Vremenska konstanta T_R [s]	6	9	-	8	7	-	-
Konstanta R_T	0,55	0,5	-	0,45	0,5	-	-
Vremenska konstanta T_W [s]	1,00	1,05	-	1,10	1,10	-	-
Vremenska konstanta T_{RH} [s]	-	-	7	-	-	8	-
Vremenska konstanta T_{CH} [s]	-	-	0,25	-	-	0,30	-
Konstanta F_{HP} [s]	-	-	0,35	-	-	0,33	-

Sekundarna regulacija frekvencije

Parametar	Područje 1	Područje 2
Integracijski član PI regulatora K_i	0,06	0,08
Konstanta β	21,75	17,5
Koeficijent sinkronizacije T_{12}	2	2

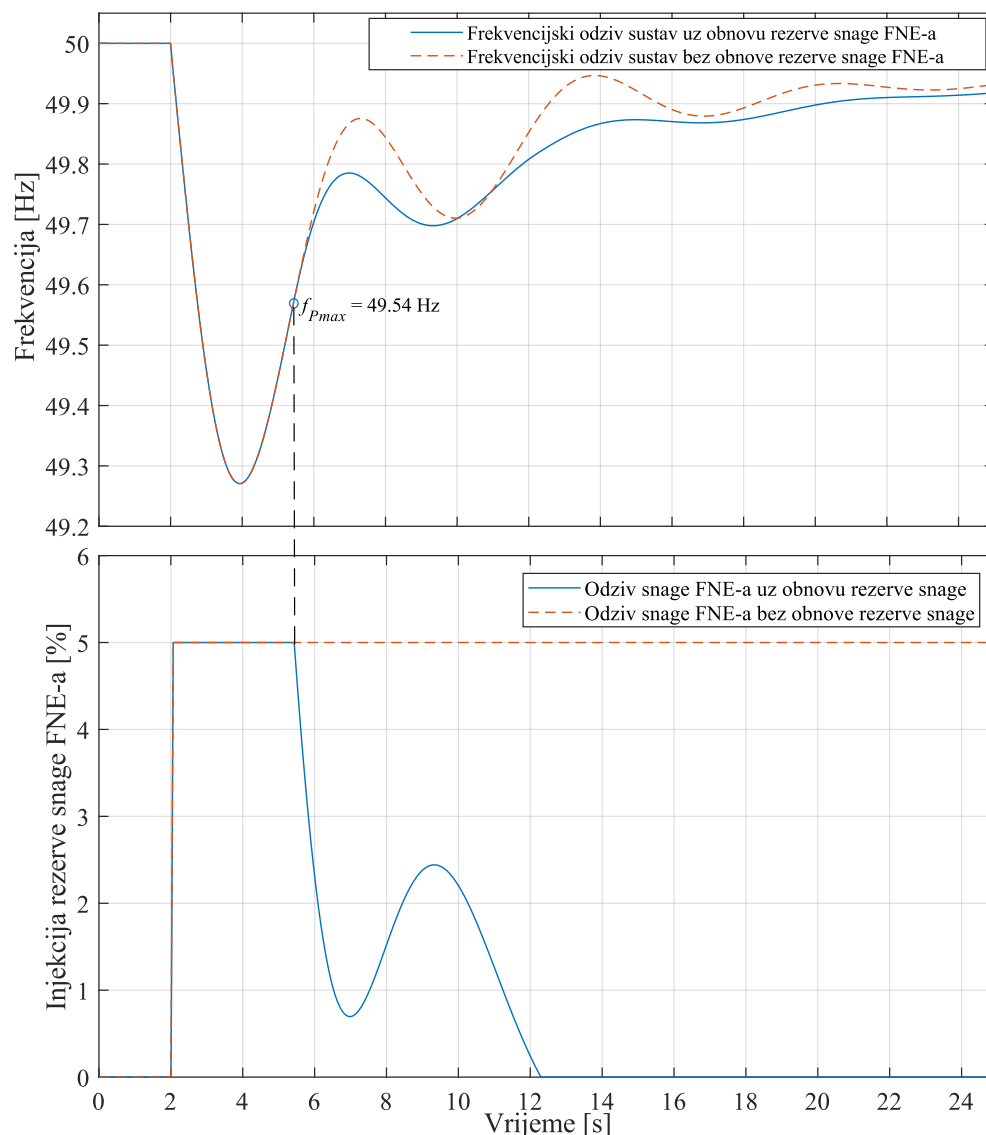
Studija slučaja 1:

Ova studija slučaja konstruirana je tako da samo analizira funkcionalnost razvijenoga upravljačkog algoritma u vidu obnove rezerve snage FNE-a. Simulira se situacija za poremećaj iznosa $P_{L2}=0.1$ p.u u području 2. Rezerva snage FNE-a postavljena je na iznos 5% nazivne snage (10 MW). Rezultati su prikazani na slici 6.16. Glavna opažanja su sljedeća:

- i. Utjecaj ovakvog načina upravljanja FNE-om tijekom regulacije frekvencije ne razlikuje se od konvencionalne metode statičnosti u vidu vrijednosti frekvencije f_{nadir} . Drugim riječima, zadržan je maksimalan doprinos koji FNE pruža sustavu s obzirom na najnižu vrijednost frekvencije koja se pojavi nakon poremećaja.
- ii. Proces obnove rezerve snage FNE-a ne pogoršava frekvencijski odziv, odnosno ne dolazi do pojave naknadnog propada frekvencije koji se događa u slučaju kada dođe nagle promjene proizvodnje snage. Štoviše, frekvencijski odziv znatno je manje oscilatoran. Dva su glavna razloga za takvo postignuće. Prvo, proces obnove rezerve

snage započeo je u trenutku kada je frekvencija dostigla vrijednost u točki f_{pmax} (49.54 Hz), a u tom trenutku postoji višak snage u sustavu, odnosno ukupna proizvedena snaga iz svih elektrana tijekom regulacije frekvencije veća je od iznosa poremećaja koji se dogodio. Drugo, proces je proveden kontinuirano bez naglih odstupanja, a to postignuto dinamičkom promjenom pojačanja statičnosti $1/R_{FNE}$.

- iii. Rezerva snage FNE-a obnovljena je u nešto manje od 15 sekundi nakon prvog poremećaja, što znači da FNE vrlo brzo postaje spremna ponovo pružiti doprinos regulaciji frekvencije u slučaju dodatnog poremećaja. Ovo je značajno poboljšanje u odnosu na konvencionalne metode gdje FNE može pružiti dodatnu podršku tek nakon što frekvencija dosegne nazivnu vrijednost, što može potrajati i do desetak minuta.

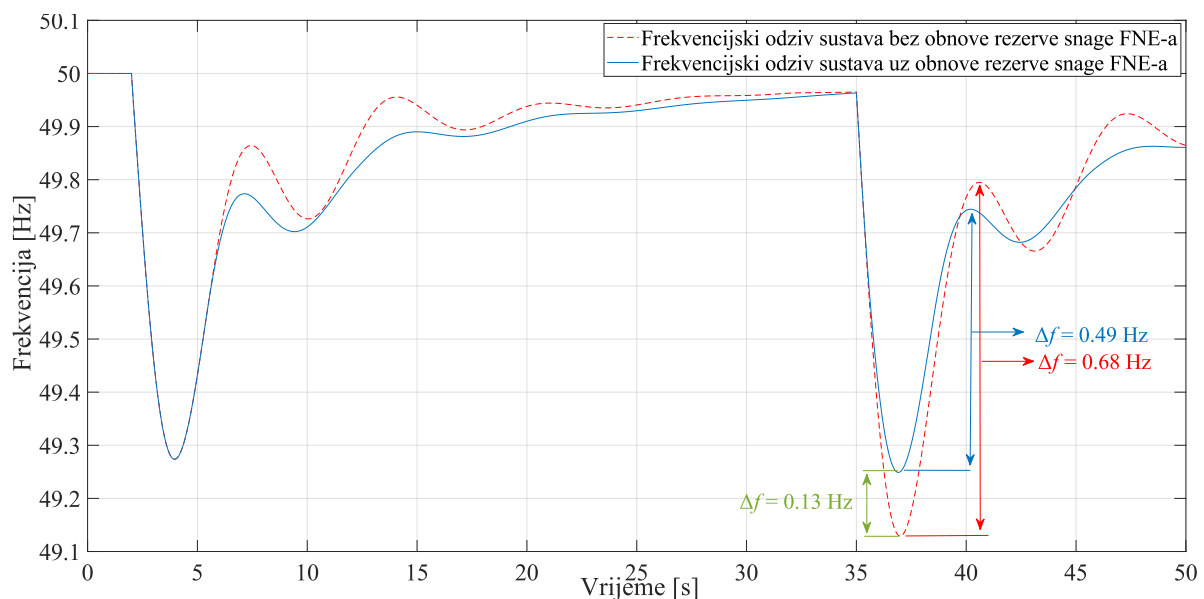


Slika 6.16: Usporedba frekvencijskog odziva sustava uz i bez obnove rezerve snage FNE-a (gore) te odgovarajući odziv rezerve snage FNE-a (dolje)

Studija slučaja 2:

U ovoj studiji slučaja analizira se sposobnost FNE-a u regulaciji frekvencije u slučaju lančanog poremećaja. Cilj je ispitati može li FNE pružiti doprinos sustavu u obliku injekcije rezerve snage u slučaju dva poremećaja koja se dogode u razmaku od nekoliko desetaka sekundi te dolazi li do značajnijeg poboljšanja frekvencijskog odziva ako FNE djeluje pod razvijenim upravljačkim algoritmom. Za potrebe simulacije lančanog poremećaja, pretpostavljeno je da se HE4 u području 2 sastoji od dva generatora nazivnih snaga 100 MW. Simulira se ispad oba generatora u razmaku od 30 sekundi. Kao i prethodnom slučaju, rezerva snage FNE-a iznosi 5% nazivne snage (10 MW).

Usporedba frekvencijskih odziva uz i bez obnove rezerve snage FNE-a prikazana je na slici 6.17. S jedne strane, može se primijetiti da je najniža vrijednost frekvencije koja se pojavi nakon prvog poremećaja jednaka u oba slučaja, što je zadovoljavajući rezultat s obzirom da je primarni cilj bio razviti upravljački algoritam koji neće biti inferioran u odnosu na prijašnje metode što se tiče nadira frekvencije tijekom prvog poremećaja, a koji će omogućiti brzu obnovu rezerve snage i pripremiti FNE za pružanje doprinosa drugom poremećaju. S druge strane, uočljiva je značajna razlika u vrijednosti najniže frekvencije kada je došlo do ispada i drugog generatora u HE4. Implementacija upravljačkog algoritma koji omogućuje obnovu rezerve snage FNE-a te pružanje doprinosa drugom poremećaju u kratkom vremenskom intervalu doprinijela je poboljšanju vrijednosti frekvencije f_{nadir} za čak 0.13 Hz. Ovo poboljšanje moglo bi biti čak i veće u slučaju da FNE održava veći iznos rezerve snage (npr. 10%).



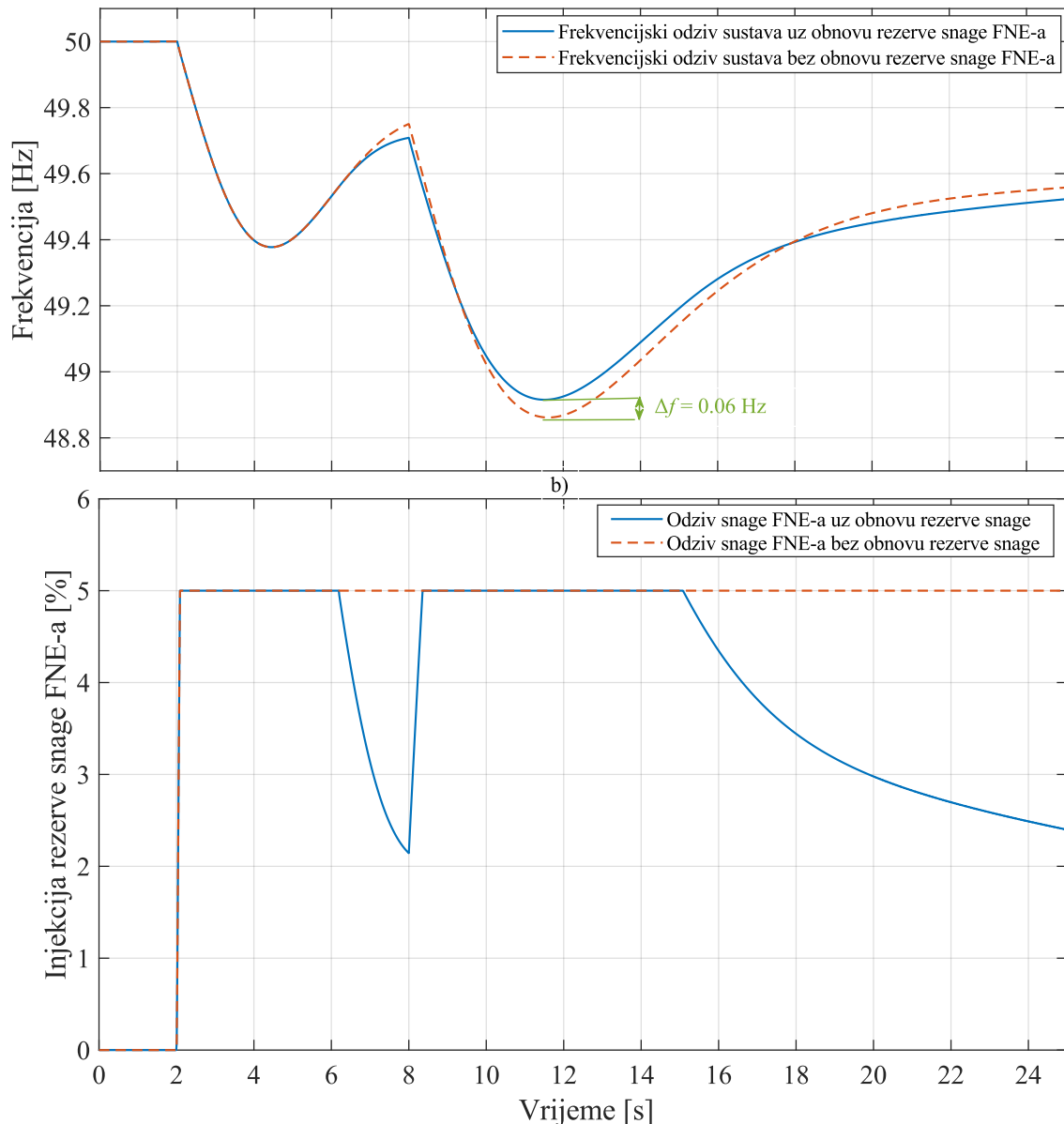
Slika 6.17: Usporedba frekvencijskih odziva uz i bez obnove rezerve snage FNE-a

Važnost ovog poboljšanja očituje se u činjenici da bi, u ovom specifičnom analiziranom slučaju, bez obnove rezerve snage FNE-a došlo do aktivacije podfrekvencijskog rasterećenja ($f_{nadir} < 49.2$ Hz). Osim toga, primjetno je i poboljšanje u vidu smanjenja amplitude oscilacija frekvencije za približno 0.20 Hz (0.49 Hz u usporedbi s 0.68 Hz).

Studija slučaja 3:

Ova studija slučaja analizira učinkovitost razvijenoga upravljačkog algoritma u slučaju lančanog poremećaja koji uzrokuje podjelu sustava na dva dijela. Ovo se smatra najzahtjevnijim scenarijem za demonstraciju učinkovitosti metode jer je, osim što se simulira podjela sustava na dva dijela (područje 1 i područje 2 se razdvajaju), postavljena dodatna otežavajuća okolnost u vidu da se podjela sustava događa u trenutku dok traje obnova rezerve snage FNE-a.

Za potrebe simulacije podjele sustava, pretpostavljeno je da područje 2 uvozi 50 MW snage iz područja 1. U trenutku $t=8$ s, dolazi do prekida rada generatora snage 100 MW u elektrani HE3, što dovodi do preopterećenja interkonekcijskog voda čije ispadanje iz pogona posljedično uzrokuje podjelu sustava na dva dijela. Rezultati ovog scenarija prikazani su na slici 6.18. Može se vidjeti da je u trenutku podjele sustava ($t=8$ s), rezerva snage FNE-a bila tek polovično obnovljena. Glavno zapažanje je da ako se poremećaj dogodi tijekom procesa obnove rezerve snage FNE-a, proces se zaustavlja te FNE ponovo sudjeluje u regulaciji frekvencije s onim iznosom rezerve snage koji je u tom trenutku dostupan. Poboljšanje u vidu vrijednosti frekvencije f_{nadir} manje je nego u slučaju prikazanom na slici 6.17 (0.13 Hz u odnosu na 0.06 Hz) upravo iz razloga što je u trenutku poremećaja samo polovica rezerve snage bila obnovljena. Nakon drugog poremećaja, u trenutku $t=15$ s, FNE započinje ponovo proces obnove rezerve snage. Dinamika procesa u ovom slučaju je sporija jer ovisi o razlici vrijednosti frekvencija u točkama f_{pmax} i f_{ss} (slika 6.3). Ta razlika je veća nego u slučaju prvog poremećaja zbog dinamičke promjene statičnosti R_{FNE} koja ovisi o frekvenciji sustava.



Slika 6.18: Usporedba frekvencijskog odziva sustava uz i bez obnove rezerve snage FNE-a (gore) te odgovarajući odziv rezerve snage FNE-a (dolje) u slučaju razdvajanja sustava

6.4 RASPRAVA I ANALIZA OSJETLJIVOSTI

Provedene studije slučaja i odgovarajući rezultati prikazani na slikama 6.16, 6.17 i 6.18 ukazuju da učinkovitost razvijene metode za obnovu rezerve snage FNE-a ovisi o tri faktora tj.:

1. Tip frekvencijskog odziva
2. Trenutak poremećaja
3. Lokacija poremećaja

Stoga, u ovom poglavlju provodi se detaljna analiza osjetljivosti učinkovitosti metode na navedene faktore.

TIP FREKVENCIJSKOG ODZIVA

Frekvencijski odziv sustava ovisi o brojnim parametrima EES-a, a posebice o vrsti i parametrima elektrana koje sudjeluju u regulaciji frekvencije. Karakteriziran je s tri faktora: brzina promjene frekvencije tj. ROCOF, najniža/najviša vrijednost frekvencije tj. f_{nadir} te vrijednost frekvencije u privremenom stacionarnom stanju f_{ss} . S obzirom na odnos vrijednosti frekvencija f_{nadir} i f_{ss} , izdvajaju se dva tipa frekvencijskog odziva:

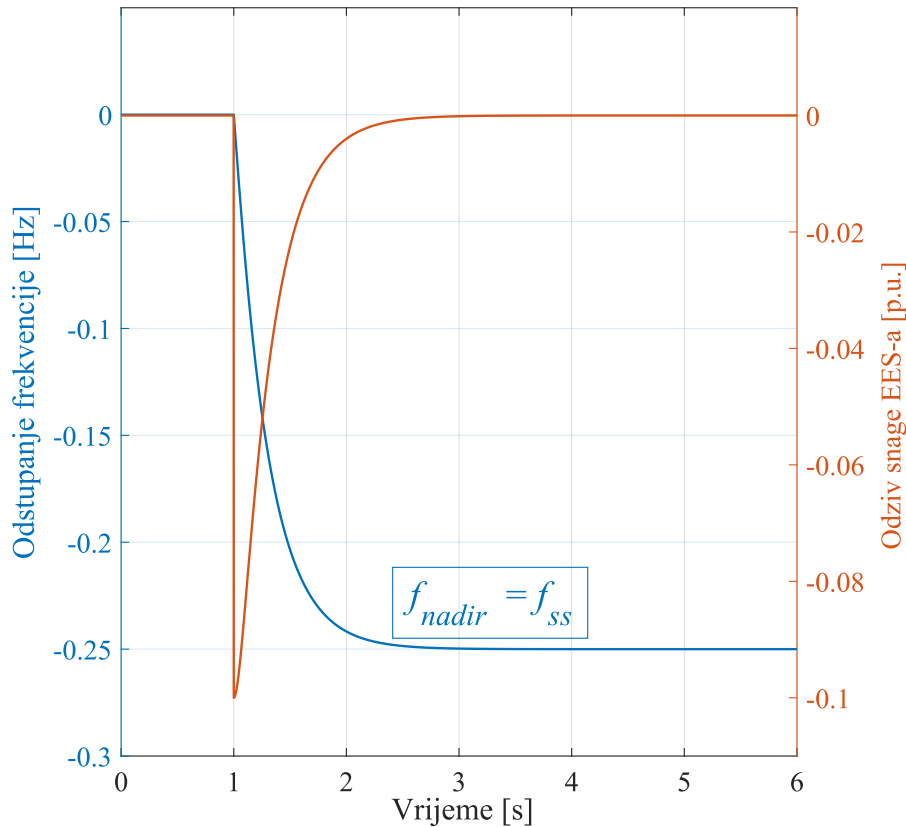
- Idealni frekvencijski odziv
- Realni frekvencijski odziv

Karakteristika idealnoga frekvencijskog odziva je da ne postoji nadvišenje odziva (engl. *overshoot response*). Krivulja ovog tipa frekvencijskog odziva opisana je eksponencijalnom funkcijom s negativnim eksponentom tj. $f(t) = Ae^{-bt} + d$ te vrijedi:

$$f_{nadir} = f_{ss} \quad (6.5)$$

Slika 6.19 prikazuje krivulju idealnog frekvencijskog odziva i odziva snage EES-a umanjenog za iznos nastalog poremećaja. Primjetno je da u ovom slučaju ne dolazi do pojave viška snage u sustavu (narančasta krivulja na slici 6.19 ne prelazi u pozitivne vrijednosti). To znači da su proizvodne jedinice koje sudjeluju u regulaciji frekvencije proizvele točno onaj iznos dodatne snage koji odgovara iznosu nastalog poremećaja.

U EES-ima koji imaju svojstvo da ostvare idealni frekvencijski odziv nije moguća primjena razvijenoga upravljačkog algoritma za obnovu rezerve snage FNE-a. Međutim, može se s velikom sigurnošću tvrditi da još ne postoji ni jedan EES koji odražava ovakvu vrstu frekvencijskog odziva jer još uvijek u svim EES-ima postoji barem jedna konvencionalna elektrana (termoelektrana ili hidroelektrana). Idealni frekvencijski odziv može se očekivati samo u EES-ima u kojima će se primarna regulacija frekvencije uglavnom provoditi proizvodnim jedinicama temeljenim na inverterskim tehnologijama koje imaju brzi dinamički odziv (npr. veliki baterijski spremnici energije, fotonaponski sustavi, vjetroelektrane i dr.). Koliko je poznato, danas još ne postoje tzv. 100% inverterski EES-evi.



Slika 6.19: Idealni frekvencijski odziv

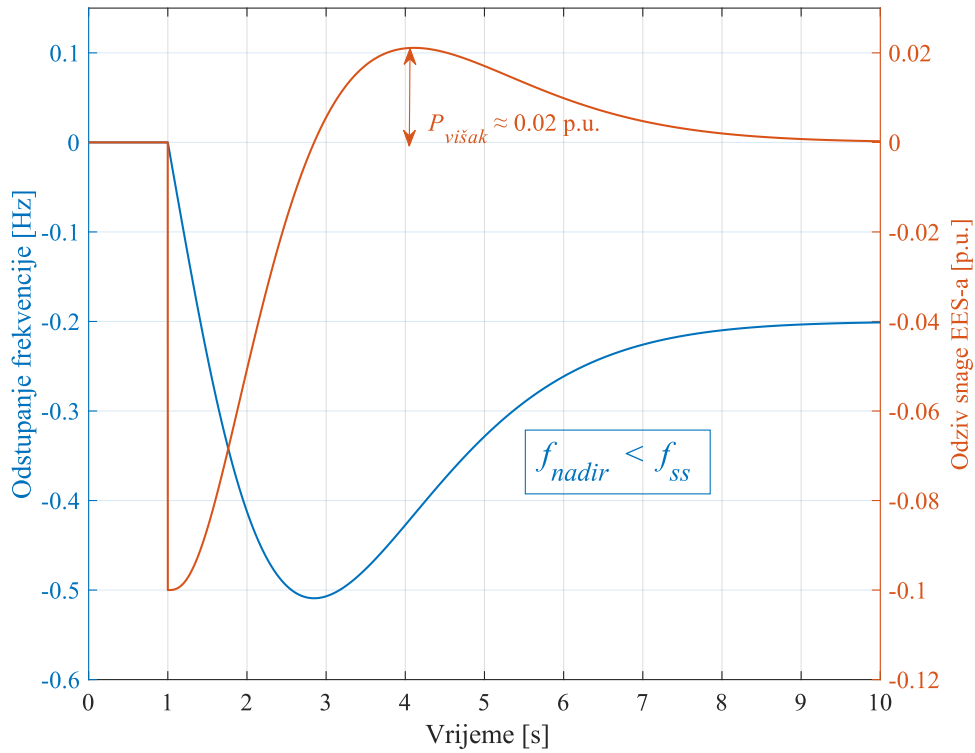
U EES-ima u kojima regulaciju frekvencije uglavnom provode sinkroni generatori, što je danas slučaj u gotovo svim EES-ima, krivulja frekvencijskog odziva uvijek ima određeno nadvišenje što je i vidljivo na slikama 4.9 i 4.10 koje prikazuju stvarne frekvencijske odzive EES-a kontinentalne Europe i EES-a Južne Australije. Takav tip frekvencijskog odziva naziva se realni frekvencijski odziv i njegova je karakteristika da je:

$$f_{nadir} < f_{ss} \quad (6.6)$$

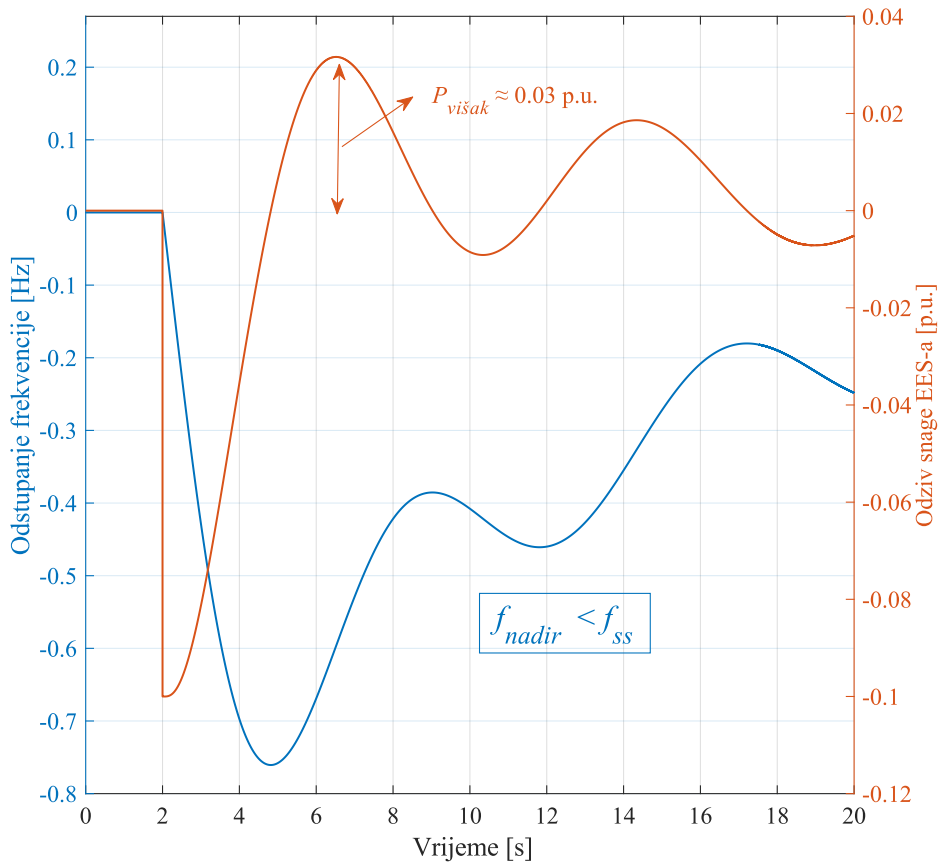
Krivulja realnoga frekvencijskog odziva opisana je sumom eksponencijalnih funkcija i funkcija eksponencijalno prigušene sinusoide:

$$f(t) = \sum A \cdot e^{-a \cdot t} + \sum B \cdot e^{-b \cdot t} \cdot \sin(\omega \cdot t + c) + d \quad (6.7)$$

Izdvojene su dvije vrste realnoga frekvencijskog odziva: realni frekvencijski odziv bez oscilacija (slika 6.20) te realni frekvencijski odziv uz oscilacije (slika 6.21).



Slika 6.20: Realni frekvijski odziv bez oscilacija



Slika 6.21: Realni frekvijski odziv uz oscilacije

Predočene slike pokazuju da oscilacije nemaju značajan utjecaj na pojavu i iznos viška snage $P_{višak}$. U oba scenarija primijenjen je iznos poremećaja $P_L=0.1$ p.u. Studija slučaja 2 čiji je rezultat prikazan na slici 6.16 provedena je upravo na vrsti realnoga frekvencijskog odziva uz oscilacije jer je takav oblik frekvencijskog odziva zahtjevniji za izvedbu metode. Razlog tomu je što nakon pojave viška snage u sustavu (narančasta krivulja na slici 6.21 iznad x-osi) te početka procesa obnove rezerve snage FNE-a dolazi do manjka snage u sustavu (narančasta krivulja na slici 6.21 ispod x-osi) te je tada potrebno da FNE ponovo injektira rezervu snage u mrežu. Zaključuje se, stoga, da se razvijeni upravljački algoritam može primijeniti i u EES-ima koji održavaju realni frekvencijski odziv bez oscilacija (slika 6.20).

S obzirom da metoda za obnovu rezerve snage FNE-a ovisi o pojavi i iznosu viška snage $P_{višak}$, provedena je analiza s ciljem izračuna mogućih očekivanih iznosa $P_{višak}$ u nekom EES-u. Koristeći izraze (4.16), (4.18) i (4.19) dobiven je sljedeći izraz:

$$\frac{f_{nadir} - d}{P_g(t_{Pmax})} = \frac{1}{2 \cdot H \cdot \sqrt{w^2 + b^2}} \cdot e^{\frac{b}{w} \arctan(\frac{w}{b})} \quad (6.8)$$

Iz (6.8) slijedi:

$$P_g(t_{Pmax}) = 2 \cdot H \cdot \sqrt{w^2 + b^2} \cdot e^{-\frac{b}{w} \arctan(\frac{w}{b})} \cdot (f_{nadir} - d) \quad (6.9)$$

pri čemu $P_g(t_{Pmax})$ predstavlja upravo višak snage $P_{višak}$.

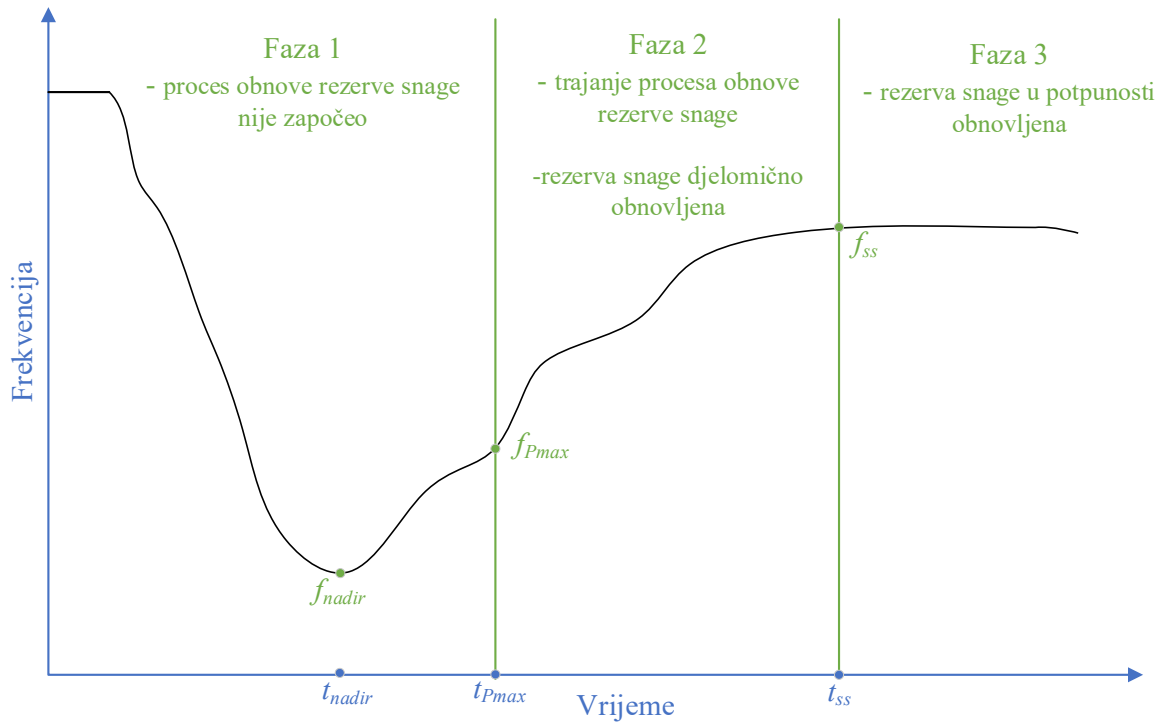
Minimalna vrijednost $P_g(t_{Pmax})$ može se dovoljno točno odrediti uz uvjet $b=0$ te slijedi:

$$P_g(t_{Pmax})_{min} = 2 \cdot H \cdot w \cdot (f_{nadir} - d) \quad (6.10)$$

Uzimajući u obzir da parametar d predstavlja frekvenciju u privremenom stacionarnom stanju f_{ss} te da se vrijednost parametra w može ograničiti s obzirom na očekivano vrijeme pojave najniže frekvencije t_{nadir} , zaključuje se da $P_{višak}$ ovisi isključivo o parametrima sustava H , f_{nadir} , t_{nadir} i f_{ss} . Uvrštavajući u (6.10) uobičajene vrijednosti za navedene parametre ($H = 3 \text{ s} - 5 \text{ s}$, $f_{nadir} = 49.8 \text{ Hz} - 49.3 \text{ Hz}$, $t_{nadir} = 3 \text{ s} - 10 \text{ s}$, $f_{ss} = 49.92 \text{ Hz} - 49.82 \text{ Hz}$), dobiva se minimalna očekivana vrijednost za $P_g(t_{Pmax})$ u intervalu od 0.01 p.u. do 0.03 p.u. kao što je i dobiveno na slikama 6.20 i 6.21.

TRENUTAK POREMEĆAJA

Trenutak u kojem se dogodi poremećaj i njegov utjecaj na proces obnove rezerve snage FNE-a može se analizirati s obzirom na tri faze frekvencijskog odziva kao što je prikazano na slici 6.22.



Slika 6.22: Proces obnove rezerve snage u ovisnosti o fazi frekvencijskog odziva

Ovisnost procesa obnove rezerve snage s obzirom na faze frekvencijskog odziva je sljedeća:

- **Faza 1:** tijekom ove faze, proces obnove rezerve snage još uvijek ne započinje. To znači da metoda nema utjecaj na frekvencijski odziv ako se naknadni poremećaj dogodi u ovoj fazi.
- **Faza 2:** tijekom ove faze, proces obnove rezerve snage započinje u točki f_{Pmax} i traje do točke f_{ss} u kojoj je rezerva snage u potpunosti obnovljena. Ako se naknadni poremećaj dogodi u ovoj fazi, metoda već doprinosi poboljšanju frekvencijskog odziva ali to ovisi o trenutnoj razini obnovljene rezerve snage, kao što je analizirano u studiji slučaja 3 (slika 6.18).
- **Faza 3:** tijekom ove faze, rezerva snage u potpunosti je obnovljena te ako se naknadni poremećaj dogodi tijekom ove faze, FNE je spremna pružiti ponovo maksimalni doprinos frekvencijskom odzivu. Ovaj slučaj analiziran je u studiji slučaja 2 (slika 6.17).

LOKACIJA POREMEĆAJA

Sustav na kojem se ispitivao proces obnove rezerve snage FNE-a (slika 6.15) sastoji se od dva područja pri čemu se u samo jednom području nalazi FNE. Kroz analizirane studije slučaja pokazalo se da sama lokacija poremećaja nema utjecaj na efikasnost metode, odnosno bilo gdje u sustavu da se poremećaj dogodi, razvijena metoda značajno doprinosi poboljšanju frekvencijskog odziva.

7 ZAKLJUČAK

Priključivanjem novih tehnologija u elektroenergetski sustav koje su uglavnom temeljene na izmjenjivačima, značajno se mijenjanju karakteristike konvencionalnog EES-a. Povećana integracija takvih uređaja uzrokuje smanjenje sinkrone inercije što uzrokuje bržu dinamiku promjene frekvencije te posljedično i veća odstupanja frekvencije od nazivne vrijednosti. Fotonaponske elektrane su jedna vrsta elektrana čiji se rad u potpunosti temelji na novim tehnologija tj. energetskej elektronici. Ove elektrane u posljednjih nekoliko godina prednjače u instaliranom novom kapacitetu. Tijekom prošle godine na svjetskoj razini dodane su nove fotonaponske elektrane ukupnog kapaciteta 182 GW. Ti podaci pokazuju da su potrebne promjene u vođenju i pogonu elektroenergetskog sustava, s naglaskom na održavanje frekvencijske stabilnosti.

Jedno od rješenja koje se nametnulo kao mjera za poboljšanje frekvencijskog odziva sustava je omogućavanje fotonaponskim elektranama sudjelovanje u regulaciji frekvencije. Sposobnost pretvarača da ostvare veoma brz dinamički odziv omogućuje reagiranje fotonaponskih elektrana u vremenu jednakom inercijskom odzivu sinkronih generatora. Pregledom literature utvrđeno je da se jedna od najzastupljenijih ideja za omogućavanje fotonaponskim elektranama sudjelovanje u regulaciji frekvencije temelji na radu fotonaponske elektrane u točki ispod maksimalne snage kako bi se osigurala dodatna rezerva snaga koja bi se mogla injektirati u mrežu tijekom promjene frekvencije.

Središnje pitanje kojim se bavi ova disertacija je koliko iznosi potrebna rezerva snage neke fotonaponske elektrane. Naime, što je veća rezerva snage fotonaponske elektrane, to je veći doprinos regulaciji frekvencije, ali isto tako, veće je smanjenje njene snage proizvodnje tj. manji profit za vlasnike elektrana zbog manje proizvedene energije. Fokus disertacije je na određivanju potrebne rezerve snage kako bi se zadovoljila određena razina stabilnosti frekvencije, dok se pitanje na koji će način vlasnici elektrana biti plaćeni za svoje usluge regulacije frekvencije ne razmatra.

Kako bi se odredila dostatna rezerva snage fotonaponske elektrane, razvijena je aproksimacija frekvencijskog odziva kvadratnom funkcijom koja omogućuje dobivanje matematičkog eksplicitnog izraza koji povezuje parametre sustava (npr. konstantu inercije i nadir frekvencije) s iznosom rezerve snage. Provedene analize pokazale su da je prosječno

potrebni iznos rezerve snage fotonaponske elektrane u intervalu od 3% do 10% nazivne snage. Općenito, niže vrijednosti rezerve snage potrebne su u slučaju izlaska hidroelektrana iz pogona, dok su više vrijednosti potrebne u slučaju izlaska termoelektrana iz pogona.

U završnom dijelu disertacije, nakon određivanja potrebnog iznosa rezerve snage, razvijen je upravljački algoritam za sudjelovanje fotonaponske elektrane u regulaciji frekvencije u slučaju lančanog poremećaja. Razvijeni upravljački algoritam omogućuje višekratno korištenje rezerve snage u vrlo kratkom vremenskom intervalu. To zapravo znači da fotonaponska elektrana može pružiti doprinos svakom pojedinačnom poremećaju koji se dogodi u jednom nizu. Ovo je nešto što značajno poboljšava stabilnost sustava jer su, prema dosadašnjim metoda, fotonaponske elektrane mogle pružiti doprinos isključivo samo prvom poremećaju, a za naredni je doprinos bilo potrebno sačekati da sekundarna regulacija frekvencije vrati frekvenciju na nazivnu vrijednost, što može potrajati i do 10 minuta. Dobiveni rezultati pokazuju da se u određenim slučajevima, uz korištenje razvijenoga upravljačkog algoritma, najveće odstupanje frekvencije od nazivne vrijednosti može smanjiti i do 0.15 Hz.

LITERATURA

- [1] T. Baskarad, I. Kuzle, and N. Holjevac, "Photovoltaic System Power Reserve Determination Using Parabolic Approximation of Frequency Response," *IEEE Trans. Smart Grid*, vol. 12, no. 4, pp. 3175–3184, Jul. 2021.
- [2] T. Baskarad, N. Holjevac, and I. Kuzle, "Photovoltaic System Control for Power System Frequency Support in Case of Cascading Events," *IEEE Trans. Sustain. Energy*, 2022.
- [3] REN21, "Renewables 2022 Global Status Report," 2022.
- [4] N. Holjevac, T. Baškarad, J. Đaković, M. Krpan, M. Zidar, and I. Kuzle, "Challenges of High Renewable Energy Sources Integration in Power Systems—The Case of Croatia," *Energies 2021, Vol. 14, Page 1047*, vol. 14, no. 4, p. 1047, Feb. 2021.
- [5] S. Eftekharnejad, V. Vittal, G. T. Heydt, B. Keel, and J. Loehr, "Impact of increased penetration of photovoltaic generation on power systems," *IEEE Trans. Power Syst.*, vol. 28, no. 2, pp. 893–901, 2013.
- [6] O. Gandhi, D. S. Kumar, C. D. Rodríguez-Gallegos, and D. Srinivasan, "Review of power system impacts at high PV penetration Part I: Factors limiting PV penetration," *Sol. Energy*, vol. 210, pp. 181–201, Nov. 2020.
- [7] R. Shah, N. Mithulananthan, A. Sode-Yome, and K. Y. Lee, "Impact of large-scale PV penetration on power system oscillatory stability," *IEEE PES Gen. Meet. PES 2010*, 2010.
- [8] ENTSO-E, "Load-Frequency Control and Performance [E]," 2004.
- [9] R. Yan, N. Al-Masood, T. Kumar Saha, F. Bai, and H. Gu, "The anatomy of the 2016 South Australia blackout: A catastrophic event in a high renewable network," *IEEE Trans. Power Syst.*, vol. 33, no. 5, pp. 5374–5388, Sep. 2018.
- [10] T. Baškarad and I. Kuzle, "Utjecaj fotonaponskih elektrana na stabilnost frekvencije u elektroenergetskom sustavu," in *14. savjetovanje HRO CIGRE*, 2019.
- [11] Nordic Analysis Group, "Future system inertia ," 2015.
- [12] Paul M. Anderson; and A. A. Fouad, *Power System Control and Stability* . Wiley-IEEE Press, 2003.
- [13] ENTSO-E, "Rate of Change of Frequency (RoCoF) withstand capability," 2017.
- [14] HOPS, "Izmjene i dopune mrežnih pravila prijenosnog sustava." Hrvatski operator prijenosnog sustava, 2020.
- [15] G. Bao, H. Tan, K. Ding, M. Ma, and N. Wang, "A Novel Photovoltaic Virtual

- Synchronous Generator Control Technology Without Energy Storage Systems,” *Energies* 2019, Vol. 12, Page 2240, vol. 12, no. 12, p. 2240, Jun. 2019.
- [16] P. P. Zarina, S. Mishra, and P. C. Sekhar, “Exploring frequency control capability of a PV system in a hybrid PV-rotating machine-without storage system,” *Int. J. Electr. Power Energy Syst.*, vol. 60, pp. 258–267, Sep. 2014.
- [17] C. Rahmann and A. Castillo, “Fast Frequency Response Capability of Photovoltaic Power Plants: The Necessity of New Grid Requirements and Definitions,” *Energies* 2014, Vol. 7, Pages 6306-6322, vol. 7, no. 10, pp. 6306–6322, Sep. 2014.
- [18] R. K. Varma and M. Akbari, “Simultaneous Fast Frequency Control and Power Oscillation Damping by Utilizing PV Solar System as PV-STATCOM,” *IEEE Trans. Sustain. Energy*, vol. 11, no. 1, pp. 415–425, Jan. 2020.
- [19] A. F. Hoke, M. Shirazi, S. Chakraborty, E. Muljadi, and D. Maksimovic, “Rapid Active Power Control of Photovoltaic Systems for Grid Frequency Support,” *IEEE J. Emerg. Sel. Top. Power Electron.*, vol. 5, no. 3, pp. 1154–1163, Sep. 2017.
- [20] I. Kuzle, *Regulacija frekvencije i djelatne snage i podfrekvencijsko rasterećenje elektroenergetskog sustava*. Fakultet elektrotehnike i računarstva, 2013.
- [21] A. Dixon, “The need for frequency control,” in *Modern Aspects of Power System Frequency Stability and Control*, Academic Press, 2019, pp. 1–22.
- [22] P. M. Anderson and M. Mirheydar, “A low-order system frequency response model,” *IEEE Trans. Power Syst.*, vol. 5, no. 3, pp. 720–729, 1990.
- [23] J. Zhang and H. Xu, “Online Identification of Power System Equivalent Inertia Constant,” *IEEE Trans. Ind. Electron.*, vol. 64, no. 10, pp. 8098–8107, Oct. 2017.
- [24] T. Baškarad, I. Kuzle, J. Dakovic, and P. Ilak, “Analysis of the wind generation impact on inertial and primary frequency response of the croatian electric power system,” in *Mediterranean Conference on Power Generation, Transmission, Distribution and Energy Conversion (MEDPOWER 2018)*, 2018, vol. 2018, 10.1049/cp.2018.1925
- [25] P. Bhui, N. Senroy, A. K. Singh, and B. C. Pal, “Estimation of Inherent Governor Dead-Band and Regulation Using Unscented Kalman Filter,” *IEEE Trans. Power Syst.*, vol. 33, no. 4, pp. 3546–3558, Jul. 2018.
- [26] M. R. I. Sheikh, S. M. Muyeen, R. Takahashi, T. Murata, and J. Tamura, “Application of self-tuning FPIC to AGC for load frequency control in multi-area power system,” *2009 IEEE Bucharest PowerTech Innov. Ideas Towar. Electr. Grid Futur.*, 2009.
- [27] C. Chen, K. Zhang, K. Yuan, and X. Teng, “Tie-Line Bias Control Applicability to Load Frequency Control for Multi-Area Interconnected Power Systems of Complex

- Topology,” *Energies* 2017, Vol. 10, Page 78, vol. 10, no. 1, p. 78, Jan. 2017.
- [28] ENTSO-E, “Load-Frequency Control and Performance [C],” 2004.
- [29] I. Kuzle, “Planiranje pomoćnih usluga,” in *Osmi simpozij o sustavu vođenja EES-a HRO CIGRE*, 2008, no. 95, p. 1.
- [30] S. White, *Solar photovoltaic basics : a study guide for the NABCEP entry level exam*. Routledge, 2014.
- [31] Y. ; Yang and F. Blaabjerg, “Overview of Single-Phase Grid-Connected Photovoltaic Systems,” *Electr. Power Components Syst.*, vol. 43, no. 12, pp. 1352–1363, 2015.
- [32] M. C. Di Piazza and G. Vitale, *Photovoltaic sources : modeling and emulation*, 2013th ed. Springer, 2013.
- [33] M. Hejri, H. Mokhtari, M. R. Azizian, M. Ghandhari, and L. Söder, “On the parameter extraction of a five-parameter double-diode model of photovoltaic cells and modules,” *IEEE J. Photovoltaics*, vol. 4, no. 3, pp. 915–923, 2014.
- [34] M. G. Villalva, J. R. Gazoli, and E. R. Filho, “Comprehensive approach to modeling and simulation of photovoltaic arrays,” *IEEE Trans. Power Electron.*, vol. 24, no. 5, pp. 1198–1208, 2009.
- [35] E. I. Batzelis and S. A. Papathanassiou, “A Method for the Analytical Extraction of the Single-Diode PV Model Parameters,” *IEEE Trans. Sustain. Energy*, vol. 7, no. 2, pp. 504–512, Apr. 2016.
- [36] D. Sera, R. Teodorescu, and P. Rodriguez, “PV panel model based on datasheet values,” *IEEE Int. Symp. Ind. Electron.*, pp. 2392–2396, 2007.
- [37] A. Orioli and A. Di Gangi, “A procedure to calculate the five-parameter model of crystalline silicon photovoltaic modules on the basis of the tabular performance data,” *Appl. Energy*, vol. 102, pp. 1160–1177, Feb. 2013.
- [38] J. J. Soon and K. S. Low, “Optimizing photovoltaic model parameters for simulation,” *IEEE Int. Symp. Ind. Electron.*, pp. 1813–1818, 2012.
- [39] M. F. Nayan and S. M. S. Ullah, “Modelling of solar cell characteristics considering the effect of electrical and environmental parameters,” *2015 Int. Conf. Green Energy Technol. ICGET 2015*, Nov. 2015.
- [40] T. Baškarad and I. Kuzle, “Modeliranje fotonaponske elektrane,” in *13. Simpozij o vođenju EES-a HRO CIGRE*, 2018.
- [41] V. G. R. Kummara *et al.*, “A Comprehensive Review of DC–DC Converter Topologies and Modulation Strategies with Recent Advances in Solar Photovoltaic Systems,” *Electron. 2020, Vol. 9, Page 31*, vol. 9, no. 1, p. 31, Dec. 2019.

- [42] M. Forouzesh, Y. P. Siwakoti, S. A. Gorji, F. Blaabjerg, and B. Lehman, "Step-Up DC-DC converters: A comprehensive review of voltage-boosting techniques, topologies, and applications," *IEEE Trans. Power Electron.*, vol. 32, no. 12, pp. 9143–9178, Dec. 2017.
- [43] W. Xiao, *Photovoltaic power system : modelling, design and control*. Wiley, 2017.
- [44] W. Xiao, W. G. Dunford, P. R. Palmer, and A. Capel, "Regulation of photovoltaic voltage," *IEEE Trans. Ind. Electron.*, vol. 54, no. 3, pp. 1365–1374, Jun. 2007.
- [45] D. Vulin, M. Štefok, and D. Pelin, "Pregledni prikaz algoritama za praćenje točke maksimalne snage u fotonaponskim sustavima," in *Proceedings PLIN2013*, 2013, pp. 1–10.
- [46] P. S. Khalane, D. A. Patil, and C. Remadevi, "Literature survey of various maximum power point tracking techniques for photovoltaic systems," *2017 Int. Conf. Intell. Comput. Instrum. Control Technol. ICICICT 2017*, vol. 2018-January, pp. 836–840, Apr. 2018.
- [47] M. S. Ngan and C. W. Tan, "A study of maximum power point tracking algorithms for stand-alone photovoltaic systems," *2011 IEEE Appl. Power Electron. Colloquium, IAPEC 2011*, pp. 22–27, 2011.
- [48] Y. T. Tan and D. S. Kirschen, "Impact on the power system of a large penetration of photovoltaic generation," *2007 IEEE Power Eng. Soc. Gen. Meet. PES*, 2007.
- [49] S. Sumathi, L. Ashok Kumar, and P. Surekha, *Solar PV and Wind Energy Conversion Systems*. Cham: Springer International Publishing, 2015.
- [50] P. Gaur, Y. P. Verma, and P. Singh, "Maximum power point tracking algorithms for photovoltaic applications: A comparative study," *2015 2nd Int. Conf. Recent Adv. Eng. Comput. Sci. RA ECS 2015*, Apr. 2016.
- [51] A. Dandoussou, M. Kamta, L. Bitjoka, P. Wira, and A. Kuitché, "Comparative study of the reliability of MPPT algorithms for the crystalline silicon photovoltaic modules in variable weather conditions," *J. Electr. Syst. Inf. Technol.*, vol. 4, no. 1, pp. 213–224, May 2017.
- [52] M. A. Eltawil and Z. Zhao, "MPPT techniques for photovoltaic applications," *Renew. Sustain. Energy Rev.*, vol. 25, pp. 793–813, Sep. 2013.
- [53] M. A. Husain, A. Tariq, S. Hameed, M. S. Bin Arif, and A. Jain, "Comparative assessment of maximum power point tracking procedures for photovoltaic systems," *Green Energy Environ.*, vol. 2, no. 1, pp. 5–17, Jan. 2017.
- [54] K. Boudaraia, H. Mahmoudi, A. Abbou, and M. Hilal, "Buck converter MPPT control of a photovoltaic system," *Int. Conf. Multimed. Comput. Syst. -Proceedings*, vol. 0, pp.

- 783–787, Apr. 2017.
- [55] F. Blaabjerg, R. Teodorescu, M. Liserre, and A. V. Timbus, “Overview of control and grid synchronization for distributed power generation systems,” *IEEE Trans. Ind. Electron.*, vol. 53, no. 5, pp. 1398–1409, Oct. 2006.
- [56] J. G. Hwang, P. W. Lehn, and M. Winkelnkemper, “A generalized class of stationary frame-current controllers for grid-connected ACDC converters,” *IEEE Trans. Power Deliv.*, vol. 25, no. 4, pp. 2742–2751, Oct. 2010.
- [57] A. Sangwongwanich, A. Abdelhakim, Y. Yang, and K. Zhou, “Control of single-phase and three-phase DC/AC converters,” in *Control of Power Electronic Converters and Systems, chapter 6*, Academic Press, 2018, pp. 153–173.
- [58] E. I. Batzelis, G. E. Kampitsis, and S. A. Papathanassiou, “Power Reserves Control for PV Systems With Real-Time MPP Estimation via Curve Fitting,” *IEEE Trans. Sustain. Energy*, vol. 8, no. 3, pp. 1269–1280, Jul. 2017.
- [59] T. Baškarad, N. Holjevac, J. Đaković, I. Kuzle, and I. Ivanković, “Važnost ROCOF-a u elektroenergetskim sustavima s visokim udjelom elektrana temeljenim na izmjenjivačima,” in *14. simpozij o vođenju EES-a*, 2020.
- [60] T. Baškarad, N. Holjevac, I. Kuzle, Ivanković I., and N. Zovko, “ROCOF IMPORTANCE IN ELECTRIC POWER SYSTEMS WITH HIGH RENEWABLES SHARE: A SIMULATION CASE FOR CROATIA,” in *The 12th Mediterranean Conference on Power Generation, Transmission, Distribution and Energy Conversion (MEDPOWER 2020)*, 2021, pp. 72–77.
- [61] Ernest Orlando Lawrence Berkeley National Laboratory, “Use of Frequency Response Metrics to Assess the Planning and Operating Requirements for Reliable Integration of Variable Renewable Generation ,” 2010.
- [62] J. Fang, H. Li, Y. Tang, and F. Blaabjerg, “Distributed Power System Virtual Inertia Implemented by Grid-Connected Power Converters,” *IEEE Trans. Power Electron.*, vol. 33, no. 10, pp. 8488–8499, Oct. 2018.
- [63] H. Ahmadi and H. Ghasemi, “Security-constrained unit commitment with linearized system frequency limit constraints,” *IEEE Trans. Power Syst.*, vol. 29, no. 4, pp. 1536–1545, 2014.
- [64] I. Egido, F. Fernandez-Bernal, P. Centeno, and L. Rouco, “Maximum frequency deviation calculation in small isolated power systems,” *IEEE Trans. Power Syst.*, vol. 24, no. 4, pp. 1731–1738, 2009.
- [65] F. Teng, V. Trovato, and G. Strbac, “Stochastic Scheduling with Inertia-Dependent Fast

- Frequency Response Requirements,” *IEEE Trans. Power Syst.*, vol. 31, no. 2, pp. 1557–1566, Mar. 2016.
- [66] M. Paturet, U. Markovic, S. Delikaraoglou, E. Vrettos, P. Aristidou, and G. Hug, “Stochastic unit commitment in low-inertia grids,” *IEEE Trans. Power Syst.*, vol. 35, no. 5, pp. 3448–3458, Sep. 2020.
- [67] Prabha Kundur, *Power System Stability and Control*, 1st ed. McGraw Hill, 1994.
- [68] K. Tuttelberg, J. Kilter, D. Wilson, and K. Uhlen, “Estimation of power system inertia from ambient wide area measurements,” *IEEE Trans. Power Syst.*, vol. 33, no. 6, pp. 7249–7257, Nov. 2018.
- [69] T. Baškarad, N. Holjevac, I. Kuzle, and I. Ivanković, “Dynamically adaptive method for under frequency load shedding protection scheme reconfiguration,” *Electr. Power Syst. Res.*, vol. 207, p. 107823, Jun. 2022.
- [70] J. Zhao, Y. Tang, and V. Terzija, “Robust online estimation of power system center of inertia frequency,” *IEEE Trans. Power Syst.*, vol. 34, no. 1, pp. 821–825, Jan. 2019.
- [71] P. M. Ashton, G. A. Taylor, A. M. Carter, M. E. Bradley, and W. Hung, “Application of phasor measurement units to estimate power system inertial frequency response,” *IEEE Power Energy Soc. Gen. Meet.*, 2013.
- [72] C. Phurailatpam, Z. H. Rather, B. Bahrani, and S. Doolla, “Measurement-Based Estimation of Inertia in AC Microgrids,” *IEEE Trans. Sustain. Energy*, vol. 11, no. 3, pp. 1975–1984, Jul. 2020.
- [73] M. Sun, G. Liu, M. Popov, V. Terzija, and S. Azizi, “Underfrequency Load Shedding Using Locally Estimated RoCoF of the Center of Inertia,” *IEEE Trans. Power Syst.*, vol. 36, no. 5, pp. 4212–4222, Sep. 2021.
- [74] F. Milano, “Rotor speed-free estimation of the frequency of the center of inertia,” *IEEE Trans. Power Syst.*, vol. 33, no. 1, pp. 1153–1155, Jan. 2018.
- [75] D. Zografos, M. Ghandhari, and R. Eriksson, “Power system inertia estimation: Utilization of frequency and voltage response after a disturbance,” *Electr. Power Syst. Res.*, vol. 161, pp. 52–60, Aug. 2018.
- [76] A. K. Singh and B. C. Pal, “Decentralized dynamic state estimation in power systems using unscented transformation,” *IEEE Trans. Power Syst.*, vol. 29, no. 2, pp. 794–804, Mar. 2014.
- [77] ENTSO-E, “Final report on the separation of the Continental Europe power system on 8 January 2021,” 2021.
- [78] Australian Energy Market Operator, “Queensland and South Australia system separation

- on August 25 2018,” 2018.
- [79] H. Xin, Y. Liu, Z. Wang, D. Gan, and T. Yang, “A new frequency regulation strategy for photovoltaic systems without energy storage,” *IEEE Trans. Sustain. Energy*, vol. 4, no. 4, pp. 985–993, 2013.
- [80] X. Huang, K. Wang, and G. Li, “Virtual Inertia Based Control of Two-stage Photovoltaic Inverters for Frequency Regulation in Islanded Micro-grid,” *IEEE Power Energy Soc. Gen. Meet.*, vol. 2018-August, Dec. 2018.
- [81] S. Adhikari and F. Li, “Coordinated V-f and P-Q control of solar photovoltaic generators with MPPT and battery storage in microgrids,” *IEEE Trans. Smart Grid*, vol. 5, no. 3, pp. 1270–1281, 2014.
- [82] X. Lyu, X. Zhao, J. Zhao, and K. P. Wong, “Advanced frequency support strategy of photovoltaic system considering changing working conditions,” *IET Gener. Transm. Distrib.*, vol. 12, no. 2, pp. 363–370, Jan. 2018.
- [83] P. Mercier, R. Cherkaoui, and A. Oudalov, “Optimizing a battery energy storage system for frequency control application in an isolated power system,” *IEEE Trans. Power Syst.*, vol. 24, no. 3, pp. 1469–1477, 2009.
- [84] D. Mejía-Giraldo, G. Velásquez-Gomez, N. Muñoz-Galeano, J. B. Cano-Quintero, and S. Lemos-Cano, “A BESS Sizing Strategy for Primary Frequency Regulation Support of Solar Photovoltaic Plants,” *Energies 2019, Vol. 12, Page 317*, vol. 12, no. 2, p. 317, Jan. 2019.
- [85] M. Yue and X. Wang, “Grid Inertial Response-Based Probabilistic Determination of Energy Storage System Capacity Under High Solar Penetration,” *IEEE Trans. Sustain. Energy*, vol. 6, no. 3, pp. 1039–1049, Jul. 2015.
- [86] S. Chen, T. Zhang, H. B. Gooi, R. D. Masiello, and W. Katzenstein, “Penetration rate and effectiveness studies of aggregated BESS for frequency regulation,” *IEEE Trans. Smart Grid*, vol. 7, no. 1, pp. 167–177, Jan. 2016.
- [87] A. Sangwongwanich, Y. Yang, F. Blaabjerg, and D. Sera, “Delta Power Control Strategy for Multistring Grid-Connected PV Inverters,” *IEEE Trans. Ind. Appl.*, vol. 53, no. 4, pp. 3862–3870, Jul. 2017.
- [88] A. Sangwongwanich, Y. Yang, F. Blaabjerg, and H. Wang, “Benchmarking of constant power generation strategies for single-phase grid-connected Photovoltaic systems,” *Conf. Proc. - IEEE Appl. Power Electron. Conf. Expo. - APEC*, vol. 2016-May, pp. 370–377, May 2016.
- [89] X. Li, H. Wen, Y. Zhu, L. Jiang, Y. Hu, and W. Xiao, “A Novel Sensorless Photovoltaic

- Power Reserve Control with Simple Real-Time MPP Estimation,” *IEEE Trans. Power Electron.*, vol. 34, no. 8, pp. 7521–7531, Aug. 2019.
- [90] A. Cabrera-Tobar, E. Bullich-Massagué, M. Aragüés-Peñalba, and O. Gomis-Bellmunt, “Review of advanced grid requirements for the integration of large scale photovoltaic power plants in the transmission system,” *Renew. Sustain. Energy Rev.*, vol. 62, pp. 971–987, Sep. 2016.
- [91] B. I. Craciun, T. Kerekes, D. Sera, and R. Teodorescu, “Frequency support functions in large PV power plants with active power reserves,” *IEEE J. Emerg. Sel. Top. Power Electron.*, vol. 2, no. 4, pp. 849–858, Dec. 2014.
- [92] C. Loutan *et al.*, “Demonstration of Essential Reliability Services by a 300-MW Solar Photovoltaic Power Plant,” Golden, CO (United States), Mar. 2017.
- [93] B. Yang, X. Wang, D. Xie, and Y. Guo, “Novel control strategy of grid-connected photovoltaic power supply for frequency regulation,” *J. Eng.*, vol. 2019, no. 16, pp. 1488–1491, Apr. 2019.
- [94] S. Liao, J. Xu, Y. Sun, Y. Bao, and B. Tang, “Wide-area measurement system-based online calculation method of PV systems de-loaded margin for frequency regulation in isolated power systems,” *IET Renew. Power Gener.*, vol. 12, no. 3, pp. 335–341, Feb. 2018.
- [95] S. I. Nanou, A. G. Papakonstantinou, and S. A. Papathanassiou, “A generic model of two-stage grid-connected PV systems with primary frequency response and inertia emulation,” *Electr. Power Syst. Res.*, vol. 127, pp. 186–196, Oct. 2015.
- [96] B. I. Crăciun, T. Kerekes, D. Séra, R. Teodorescu, and U. D. Annakkage, “Power Ramp Limitation Capabilities of Large PV Power Plants With Active Power Reserves,” *IEEE Trans. Sustain. Energy*, vol. 8, no. 2, pp. 573–581, Apr. 2017.
- [97] C. Rahmann, C. Mayol, and J. Haas, “Dynamic control strategy in partially-shaded photovoltaic power plants for improving the frequency of the electricity system,” *J. Clean. Prod.*, vol. 202, pp. 109–119, Nov. 2018.
- [98] R. Rajan and F. M. Fernandez, “Power control strategy of photovoltaic plants for frequency regulation in a hybrid power system,” *Int. J. Electr. Power Energy Syst.*, vol. 110, pp. 171–183, Sep. 2019.
- [99] Australian Electric Market Operator, “Primary frequency response,” 2020.
- [100] Y. Liu, S. You, and Y. Liu, “Study of Wind and PV Frequency Control in U.S. Power Grids—EI and TI Case Studies,” *IEEE Power Energy Technol. Syst. J.*, vol. 4, no. 3, pp. 65–73, Aug. 2017.

-
- [101] J. C. Hernández, P. G. Bueno, and F. Sanchez-Sutil, “Enhanced utility-scale photovoltaic units with frequency support functions and dynamic grid support for transmission systems,” *IET Renew. Power Gener.*, vol. 11, no. 3, pp. 361–372, Feb. 2017.
- [102] S. Larsson and A. Danell, “The black-out in southern Sweden and eastern Denmark, September 23, 2003,” *2006 IEEE PES Power Syst. Conf. Expo. PSCE 2006 - Proc.*, pp. 309–313, 2006.
- [103] H. H. Alhelou, M. E. Hamedani-Golshan, T. C. Njenda, and P. Siano, “A Survey on Power System Blackout and Cascading Events: Research Motivations and Challenges,” *Energies 2019, Vol. 12, Page 682*, vol. 12, no. 4, p. 682, Feb. 2019.
- [104] M. Garmroodi, G. Verbic, and D. J. Hill, “Frequency Support from Wind Turbine Generators with a Time-Variable Droop Characteristic,” *IEEE Trans. Sustain. Energy*, vol. 9, no. 2, pp. 676–684, Apr. 2018.
- [105] M. Krpan and I. Kuzle, “Dynamic characteristics of virtual inertial response provision by DFIG-based wind turbines,” *Electr. Power Syst. Res.*, vol. 178, p. 106005, Jan. 2020.
- [106] S. You *et al.*, “Comparative Assessment of Tactics to Improve Primary Frequency Response Without Curtailing Solar Output in High Photovoltaic Interconnection Grids,” *IEEE Trans. Sustain. Energy*, vol. 10, no. 2, pp. 718–728, Apr. 2019.
- [107] F. Jibji-Bukar and O. Anaya-Lara, “Frequency support from photovoltaic power plants using offline maximum power point tracking and variable droop control,” *IET Renew. Power Gener.*, vol. 13, no. 13, pp. 2278–2286, Oct. 2019.
- [108] H. Dehghanitafti, G. Konstantinou, J. Fletcher, L. Callegaro, G. Farivar, and J. Pou, “Control of Distributed Photovoltaic Inverters for Frequency Support and System Recovery,” *IEEE Trans. Power Electron.*, vol. 37, no. 4, pp. 4742–4750, Apr. 2022.
- [109] Q. Peng, “Coordination of Virtual Inertia Control and Frequency Damping in PV Systems for Optimal Frequency Support,” *CPSS Trans. Power Electron. Appl.*, vol. 5, no. 4, pp. 305–316, Dec. 2020.
- [110] Q. Li and M. E. Baran, “A Novel Frequency Support Control Method for PV Plants Using Tracking LQR,” *IEEE Trans. Sustain. Energy*, vol. 11, no. 4, pp. 2263–2273, Oct. 2020.

POPIS SLIKA

Slika 1.1: Integracija fotonaponskih elektrana i vjetroelektrana u posljednjih 10 godina	2
Slika 1.2: Tipični frekvencijski odziv EES-a	5
Slika 2.1: Prikaz djelovanja faza regulacije frekvencije	6
Slika 2.2: Blok shema modela za analizu primarne regulacije frekvencije	8
Slika 2.3: Blok shema modela za analizu primarne i sekundarne regulacije frekvencije	11
Slika 3.1: Fotonaponski sustav	13
Slika 3.2: Jednodiodni i dvodiodni model FN ćelije	14
Slika 3.3. Utjecaj promjene ozračenja na a) $P-U$ karakteristiku i b) $I-U$ karakteristiku FN modula [38]	16
Slika 3.4: Shema uzlaznog pretvarača	17
Slika 3.5: Blokovska shema naponskog načina upravljanja	20
Slika 3.6: Shema trofaznog izmjenjivača u mosnom spoju	23
Slika 3.7: Shema zatvorene petlje strujnog upravljanja	24
Slika 3.8. Shema zatvorene petlje naponskog upravljanja	25
Slika 3.9: Upravljačka struktura FN sustava	26
Slika 3.10: Odziv promjene snage FNE-a	28
Slika 3.11: Napon na DC spoju	28
Slika 3.12: d komponenta struje mreže	28
Slika 4.1: Ovisnost ROCOF-a o konstanti tromosti sustava i veličini poremećaja [57]	30
Slika 4.2: Idejni koncept parabolične aproksimacije frekvencijskog odziva	34
Slika 4.3: Frekvencijski odziv aproksimiran parabolom	36
Slika 4.4: Proces određivanja točke t_3	39
Slika 4.5: Faza 1 algoritma za određivanje točki t_1 i t_3 – dijagram toka	39
Slika 4.6: Proces određivanja točke t_2	41
Slika 4.7: Faza 2 algoritma za određivanje točke t_2 – dijagram toka	41
Slika 4.8: Tipični frekvencijski odziv (plavo) i odziv snage EES-a (narančasto) uslijed iznenadnog gubitka proizvodnje ili povećanja potrošnje	42
Slika 4.9: Frekvencija tijekom poremećaja u Ernestinovu 8.1.2021. godine i njena aproksimacija	45
Slika 4.10: Frekvencija tijekom poremećaja u Australiji 25.8.2018. godine i njena aproksimacija	46

Slika 4.11: Učinkovitost metode za procjenu vrijednosti frekvencije f_{Pmax}	48
Slika 5.1: Koncept realizacije metode za sudjelovanje FNE-a u regulaciji frekvencije	52
Slika 5.2: $P-U$ dijagram FNE-a - koncept postizanja rezerve snage	52
Slika 5.3: Načini upravljanja radnom snagom [86].....	53
Slika 5.4: Testni sustav za određivanje rezerve snage FNE-a.....	56
Slika 5.5: Blokovski prikaz prijenosne funkcije $C(s)$	57
Slika 5.6: Ovisnost nadira frekvencije o statičnosti FNE-a	60
Slika 5.7: Potrebna rezerva snage FNE-a za različite razine smanjenja konstante tromosti za slučaj izlaska HE iz pogona	62
Slika 5.8: Potrebna rezerva snage FNE-a za različite veličine poremećaja za slučaj izlaska HE iz pogona	63
Slika 5.9: Potrebna rezerva snage FNE-a za održavanje željene f_{nadir} vrijednosti za slučaj izlaska HE iz pogona.....	64
Slika 5.10: Potrebna rezerva snage FNE-a za različite razine smanjenja konstante tromosti za slučaj izlaska TE iz pogona.....	65
Slika 5.11: Potrebna rezerva snage FNE-a za različite veličine poremećaja za slučaj izlaska TE iz pogona	66
Slika 5.12: Potrebna rezerva snage FNE-a za održavanje željene f_{nadir} vrijednosti za slučaj izlaska TE iz pogona	67
Slika 5.13. Potrebna statičnost R_{FNE} za maksimalno smanjenje ROCOF-a	69
Slika 5.14: Ovisnost ROCOF-a o konstanti tromosti.....	70
Slika 6.1: Mehanizam 1 – metoda statičnosti.....	74
Slika 6.2: Ilustracija procesa određivanja koeficijenata b , w i d	75
Slika 6.3: Promjena statičnosti kao funkcija frekvencije sustava	76
Slika 6.4: Upravljački sustav za koordinaciju aktiviranja pojedinih mehanizama	77
Slika 6.5: Dijagram toka razvijenog upravljačkog algoritma	78
Slika 6.6: MATLAB/Simulink model neosjetljivosti regulatora	79
Slika 6.7: MATLAB/Simulink model promjene snage prema konstantnoj statičnosti.....	80
Slika 6.8: MATLAB/Simulink model određivanja nadira frekvencije f_{nadir}	80
Slika 6.9: MATLAB/Simulink model za izračun točke f_{Pmax}	81
Slika 6.10: MATLAB/Simulink model za izračun statičnosti za vrijednost frekvencije f_{Pmax} . 82	
Slika 6.11: MATLAB/Simulink model aktivacije procesa obnove rezerve snage	82
Slika 6.12: MATLAB/Simulink model dinamičke promjene statičnosti.....	83
Slika 6.13: MATLAB/Simulink model za koordinaciju načina radova.....	83

Slika 6.14: MATLAB/Simulink model upravljačkog algoritma.....	84
Slika 6.15: Testni sustav za ispitivanje učinkovitosti razvijenoga upravljačkog algoritma.....	85
Slika 6.16: Usporedba frekvencijskog odziva sustava uz i bez obnove rezerve snage FNE-a (gore) te odgovarajući odziv rezerve snage FNE-a (dolje)	87
Slika 6.17: Usporedba frekvencijskih odziva uz i bez obnove rezerve snage FNE-a	88
Slika 6.18: Usporedba frekvencijskog odziva sustava uz i bez obnove rezerve snage FNE-a (gore) te odgovarajući odziv rezerve snage FNE-a (dolje) u slučaju razdvajanja sustava.....	90
Slika 6.19: Idealni frekvencijski odziv	92
Slika 6.20: Realni frekvencijski odziv bez oscilacija.....	93
Slika 6.21: Realni frekvencijski odziv uz oscilacije	93
Slika 6.22: Proces obnove rezerve snage u ovisnosti o fazi frekvencijskog odziva	95

ŽIVOTOPIS

Tomislav Baškarad rođen je 1992. godine. Sveučilišni preddiplomski i diplomski studij završio je 2013. godine, odnosno 2015. godine na Fakultetu elektrotehnike i računarstva Sveučilišta u Zagrebu, profil elektroenergetika. Od 2016. do 2017. godine radio je u Končaru – Institutu za elektrotehniku. Od 2018. godine radi na Zavodu za visoki napon i energetiku Fakulteta elektrotehnike i računarstva Sveučilišta u Zagrebu. Na istom zavodu započeo je doktorski studij 2018. godine. Sudjelovao je u radu u dva istraživačka projekta, a trenutno je zaposlen na međunarodnom projektu TRANSIT - Transition to a Sustainable Future through Training and Education. Tijekom 2019. godine proveo je 6 mjeseci na znanstvenom usavršavanju na Sveučilištu North China Electric Power University, Peking, Kina. Njegova područja istraživanja su obnovljivi izvori energije s naglaskom na fotonaponske elektrane te regulacija frekvencije i radne snage elektroenergetskog sustava. Do sada je objavio 6 radova u časopisima, 4 rada na konferencijama s međunarodnom recenzijom i 5 radova na domaćim konferencijama. Autor je više od 20 stručnih studija i elaborata. Član je udruga HRO CIGRE i IEEE Power & Energy Society.

Popis objavljenih radova

Radovi u časopisima

1. T. Baškarad, N. Holjevac and I. Kuzle, "Photovoltaic System Control for Power System Frequency Support in Case of Cascading Events," in *IEEE Transactions on Sustainable Energy*, 2022, doi: 10.1109/TSTE.2022.3197687.
2. T. Baškarad, N. Holjevac, I. Kuzle, I. Ivanković, "Dynamically adaptive method for under frequency load shedding protection scheme reconfiguration, " in *Electric Power Systems Research*, Volume 207, 2022, 107823, ISSN 0378-7796, <https://doi.org/10.1016/j.epsr.2022.107823>.
3. T. Baškarad, I. Kuzle and N. Holjevac, "Photovoltaic System Power Reserve Determination Using Parabolic Approximation of Frequency Response," in *IEEE Transactions on Smart Grid*, vol. 12, no. 4, pp. 3175-3184, July 2021, doi: 10.1109/TSG.2021.3061893.

4. N. Holjevac, T. Baškarad, J. Đaković, M. Krpan, M. Zidar and I. Kuzle, "Challenges of High Renewable Energy Sources Integration in Power Systems—The Case of Croatia," in *Energies* 2021, *14*, 1047. <https://doi.org/10.3390/en14041047>
5. J. Đaković, M. Krpan, P. Ilak, T. Baškarad and I. Kuzle, "Impact of wind capacity share, allocation of inertia and grid configuration on transient RoCoF: The case of the Croatian power system," in *International Journal of Electrical Power & Energy Systems*, Volume 121, 2020, 106075, ISSN 0142-0615, <https://doi.org/10.1016/j.ijepes.2020.106075>
6. T. Baškarad, I. Kuzle, S. Tešnjak, "Nonlinear mathematical model of hydroelectric power plant," in *Journal of Energy*, vol. 66, no.1-4, pp. 18-39, <https://doi.org/10.37798/2017661-494>

Konferencijski radovi

1. T. Baškarad, N. Holjevac, I. Kuzle, and H. Pandžić, "A novel primary frequency control framework for multi-area power systems containing battery energy storage systems," *The 13th Mediterranean Conference on Power Generation, Transmission, Distribution and Energy Conversion (MEDPOWER 2022)*, 2022, pp. 1-10
2. T. Baškarad, N. Holjevac, and I. Kuzle, "Analiza utjecaja parametara elektrana na značajke frekvencijskog odziva EES-a," *15. Savjetovanje HRO CIGRE, Šibenik*, 07.-10.11.2021
3. T. Baškarad, N. Holjevac, J. Đaković, I. Kuzle and I. Ivanković, "Važnost ROCOF-a u elektroenergetskim sustavima s visokim udjelom elektrana temeljenim na izmjenjivačima," *14. Simpozij o vođenju EES-a HRO CIGRE, Opatija*, 8.-11.11.2020, pp. 1-10.
4. T. Baškarad, N. Holjevac, I. Kuzle, I. Ivanković and N. Zovko, "ROCOF Importance In Electric Power Systems With High Renewables Share: A Simulation Case For Croatia," *The 12th Mediterranean Conference on Power Generation, Transmission, Distribution and Energy Conversion (MEDPOWER 2020)*, 2020, pp. 72-77, doi: 10.1049/icp.2021.1239.
5. T. Baškarad and I. Kuzle, "Utjecaj fotonaponskih elektrana na stabilnost frekvencije u elektroenergetskom sustavu," *14. savjetovanje HRO CIGRE /Šibenik, Hrvatska*, 2019. str. 1-10

6. T. Baškarad and I. Kuzle, "Modeliranje fotonaponske elektrane," 13. *Simpozij o vođenju EES-a HRO CIGRÉ*, Rovinj, Hrvatska, 2018. str. 1-10
7. T. Baškarad, I. Kuzle, J. Đaković and P. Ilak, "Analysis of the wind generation impact on inertial and primary frequency response of the Croatian electric power system," *Mediterranean Conference on Power Generation, Transmission, Distribution and Energy Conversion (MEDPOWER 2018)*, 2018, pp. 1-9, doi: 10.1049/cp.2018.1925.
8. J. Daković, P. Ilak, T. Baškarad, M. Krpan and I. Kuzle, "Effectiveness of wind turbine fast frequency response control on electrically distanced active power disturbance mitigation," *Mediterranean Conference on Power Generation, Transmission, Distribution and Energy Conversion (MEDPOWER 2018)*, 2018, pp. 1-7, doi: 10.1049/cp.2018.1923.
9. T. Baškarad, J. Đaković, I. Kuzle, "Izrada elaborata optimalnog tehničkog priključenja elektrane prema novim odredbama hrvatskih pravila o priključenju na distribucijsku mrežu," 1. *Savjetovanje BH K/O CIRED*, Mostar, Bosna i Hercegovina, 2018. str. 1-10

BIOGRAPHY

Tomislav Baškarad was born on 6th January 1992. He received his B. Sc. and M. Sc. degrees in electrical engineering and information technology at the University of Zagreb, Faculty of Electrical Engineering and Computing (FER) in 2013, and 2015, respectively. From 2016 to 2017 he worked at Koncar - Electrical Engineering Institute. From 2018 he has been working as a research assistant with the Department of Energy and Power Systems at FER. He started the doctoral study at the Faculty of Electrical Engineering and Computing in 2018. He participated in two scientific projects and is currently working on the international scientific project TRANSIT - Transition to a Sustainable Future through Training and Education. In the academic year 2018/2019, he spent six months as a visiting researcher at North China Electric Power University, Beijing, China. His research interests are integration of renewable technologies, in particular, photovoltaic power plants and frequency and power control of the electric power system. His publications include 6 journal papers, 4 papers at international conferences and 5 papers at a domestic conferences. He worked on more than 20 technical studies. He is a member of HRO CIGRE and IEEE Power & Energy Society

