

Sustav upravljanja brzinom vrtnje sinkronoga stroja korištenjem determinističkih estimatora i metode linearizacije po povratnoj vezi.

Šundrica, Marijo

Doctoral thesis / Disertacija

2019

Degree Grantor / Ustanova koja je dodijelila akademski / stručni stupanj: **University of Zagreb, Faculty of Electrical Engineering and Computing / Sveučilište u Zagrebu, Fakultet elektrotehnike i računarstva**

Permanent link / Trajna poveznica: <https://urn.nsk.hr/urn:nbn:hr:168:559819>

Rights / Prava: [In copyright](#) / [Zaštićeno autorskim pravom.](#)

Download date / Datum preuzimanja: **2024-12-19**



Repository / Repozitorij:

[FER Repository - University of Zagreb Faculty of Electrical Engineering and Computing repository](#)





Sveučilište u Zagrebu
FAKULTET ELEKTROTEHNIKE I RAČUNARSTVA

Marijo Šundrica

**SUSTAV UPRAVLJANJA BRZINOM VRTNJE
SINKRONOGA STROJA KORIŠTENJEM
DETERMINISTIČKIH ESTIMATORA I METODE
LINEARIZACIJE PO POVRATNOJ VEZI**

DOKTORSKI RAD

Zagreb, 2019.



Sveučilište u Zagrebu
FAKULTET ELEKTROTEHNIKE I RAČUNARSTVA

Marijo Šundrica

**SUSTAV UPRAVLJANJA BRZINOM VRTNJE
SINKRONOGA STROJA KORIŠTENJEM
DETERMINISTIČKIH ESTIMATORA I METODE
LINEARIZACIJE PO POVRATNOJ VEZI**

DOKTORSKI RAD

Mentor: izv. prof. dr. sc. Igor Erceg

Zagreb, 2019.



University of Zagreb
FACULTY OF ELECTRICAL ENGINEERING AND COMPUTING

Marijo Šundrica

**SPEED CONTROL SYSTEM OF SYNCHRONOUS
MACHINE BASED ON DETERMINISTIC OBSERVERS
AND FEEDBACK LINEARIZATION METHOD**

DOCTORAL THESIS

Supervisor: Associate Professor Igor Erceg, PhD

Zagreb, 2019.

Doktorski rad izrađen je na Sveučilištu u Zagrebu, Fakultetu elektrotehnike i računarstva,
na Zavodu za elektrostrojarstvo i automatizaciju te u tvrtki Končar – Inženjering za energetiku
i transport.

Mentor: izv. prof. dr. sc. Igor Erceg

Doktorski rad ima 153 stranice

Doktorski rad br.: _____

O mentoru:

Igor Erceg rođen je u Zagrebu 1981. godine. Diplomirao je i doktorirao u polju Elektrotehnike na Sveučilištu u Zagrebu Fakultetu elektrotehnike i računarstva (FER), 2004., odnosno 2010. godine.

Od prosinca 2004. godine radi na Zavodu za elektrostrojstvo i automatizaciju na FER-u. Sudjelovao je na jednom znanstvenom projektu Ministarstva znanosti, obrazovanja i sporta Republike Hrvatske, dva projekta Hrvatske zaklade za znanost te jednom BICRO-IRCRO projektu. Trenutno je član istraživačkog projekta: "Sinkroni reluktantni generatori za mikro hidroelektrane" koji financira Hrvatska zaklada za znanost. Objavio je 7 radova u časopisima i 17 radova u zbornicima konferencija s međunarodnom recenzijom u području identifikacije, upravljanja i regulacije električnih strojeva. Izv. profesor Erceg član je stručne udruge IEEE i CIGRE. Od 2016. godine potpredsjednik je hrvatske sekcije IEEE Odjela za industrijske primjene.

About the Supervisor:

Igor Erceg was born in Zagreb in 1981. He received B.Sc. and Ph.D. degrees in electrical engineering from the University of Zagreb, Faculty of Electrical Engineering and Computing (FER), Zagreb, Croatia, in 2004 and 2010, respectively.

Since December 2004 he has been working at the Department of Electrical Engineering and Automation at FER. He participated in one scientific project of the Ministry of Science, Education and Sports of the Republic of Croatia, two projects of the Croatian Science Foundation and one BICRO-IRCRO project. He is currently a member of a research project: "Synchronous RELuctance generators for micro HYDropower plants (HYDREL)" funded by the Croatian Science Foundation. He has published 7 papers in journals and 17 papers in conference proceedings with international peer review in the field of identification, control and regulation of electrical machines. Assoc. Professor Erceg is a member of the IEEE and CIGRE Professional Association. Since 2016 he is Vice-President of the Croatian Section of the IEEE Industrial Applications.

Zahvala

Prije svega jako se zahvaljujem svojoj ženi Ivani koja je uspjela istrpiti brojne teške situacije koje su bile uzrokovane teretom doktorata. Također joj se ovim putem i ispričavam jer nisam uvijek imao dovoljno vremena i strpljenja za naše djevojčice Lindu i Antoniju.

Velike zahvale pripadaju i mojim roditeljima Olgi i Jadranu, koji su me uvijek bodrili kako tijekom doktorata tako i kroz život. Zahvaljujem se i bratu Dariju na podršci i prijevodu na engleski.

Zahvaljujem se mentoru izvanrednom profesoru Igoru Ercegu te profesoru Zlatku Maljkoviću na podršci.

Zahvaljujem se Končar – Inženjeringu za energetiku i transport koji je ipak imao vjeru da se ovaj rad može dovršiti.

I na kraju zahvala i onima koji nisu više među nama, a sigurno su puno dobroga donijeli u moj život ... babi Kati, didi Šimi i didi Maru

Sažetak

Tema ovog istraživanja je upravljanje sinkronim strojem, jednom od najvažnijih komponenti u elektroenergetici. U novije vrijeme se sinkroni strojevi osobito koriste i u motornim režimima rada. Zbog toga su u uvodu navedene osnovne značajke motornih pogona sinkronim strojem te su opisani razlozi korištenja motornih pogona u jedinicama za proizvodnju električne energije. Obavljena je klasifikacija pretvarača koji se pritom mogu koristiti te je odabran pretvarač s utisnutim naponom.

Kod izrade klasičnog sustava upravljanja tipično se sustav upravljanja matematički modelira uz određena zanemarenja. Zbog složenosti matematičkog modela sinkronog stroja (nelinearnost, svezanost varijabli) te zbog korištenja zanemarenja, klasičnim pristupom nije moguće realizirati razdvojeno upravljanje po brzini (elektromagnetskom momentu) i magnetskom toku. Nelinearnim pristupom se može, bez korištenja zanemarenja, izvesti zakon upravljanja prema kojem se postiže razdvojeno (neovisno) upravljanje brzinom i magnetskim tokom. Za realizaciju navedenog nelinearnog upravljanja, potrebno je izraditi observere stanja stroja. Ostvarivanjem razdvojenog upravljanja po brzini (elektromagnetskom momentu) i magnetskom toku, predviđaju se bolje dinamičke karakteristike u usporedbi s upravljanjem u klasičnom smislu.

Obavljeni su matematički zapisi sinkronog stroja pomoću strujnog modela te pomoću modela s tokovima prigušnih namota. Iz modela su izvedeni observeri struja odnosno tokova prigušnih namota. Iz modela s tokovima prigušnog namota su izvedeni puni, reducirani te observer sa adaptacijom otpora. Obavljene su analize osmotrivosti te su izvedeni dokazi stabilnosti observera prema Lyapunovu. Uz observere su u matematičkom smislu opisane i mogućnosti za estimaciju momenta opterećenja.

U izradi sustava upravljanja korištena je metoda linearizacije u povratnoj vezi. Provjerom je utvrđeno da nije moguće obaviti potpunu linearizaciju tako da je zakon upravljanja realiziran parcijalnom, odnosno ulazno-izlaznom linearizacijom. Iz zakona upravljanja je vidljivo da je ostvareno razdvojeno upravljanje po elektromagnetskom momentu i magnetskom toku. Stabilnost zakona upravljanja je dokazana prema Lyapunovu.

Modeliranje energetskog dijela i pripadnog sustava upravljanja obavljeno je u programskom paketu Matlab/Simulink. Izvedene su jednadžbe pogodne za simuliranje, a sustav je simuliran na dva stroja: SM1 (manje snage) i SM2 (veće snage).

Uz simulacijske provjere izvedenog sustava upravljanja izrađena je i studija usporedbe izvedenog i klasičnog upravljanja. Obavljeni su pokusi zaleta bez opterećenja, zaleta s

opterećenjem, te pokusi skokovite promjene momenta opterećenja na oba stroja. Usporedba linearnog i nelinearnog sustava upravljanja pokazuje da nelinearno upravljanje daje bolja dinamička svojstva. Pri uvjetima bez opterećenja nelinearni sustav upravljanja ima nešto manje oscilacije. Prednost nelinearnog upravljanja dolazi još više do izražaja pri skokovitim promjenama momenta opterećenja. Kod linearnog upravljanja, pri skokovitim promjenama elektromagnetski moment ulazi u određenu dinamiku prije nego postigne stabilno stanje. Nelinearnim upravljanjem je takva dinamika izbjegnuta. Jedini nedostatak nelinearnog upravljanja je stacionarna trajna pogreška malog iznosa, koja nastupa zbog nepostojanja integralnog člana u regulacijskom sustavu.

Za izradu nelinearnog sustava upravljanja, nužno je poznavanje momenta tereta. Budući da je mehaničko opterećenje često nepoznata veličina, obavljena je i estimacija momenta tereta. Obavljeni su i pokusi koji pokazuju rad sustava upravljanja uz estimaciju momenta opterećenja. Završno je obavljeno i ispitivanje s procesorom u petlji (*PiL*). Objašnjena je eksperimentalna realizacija sustava koji uključuje kontrolnu karticu C2834x s procesorskom jedinicom TMS320C2000. Opisano je povezivanje procesora s Matlab/Simulinkom te Code Composer Studiom te su obavljena ispitivanja s procesorom u zatvorenoj petlji za oba stroja.

Ključne riječi:

sinkroni stroj, uzbudni i prigušni namoti, frekvencijski pretvarač, sustavi upravljanja, nelinearno upravljanje, observer, linearizacija u povratnoj vezi

Abstract

SPEED CONTROL SYSTEM OF SYNCHRONOUS MACHINE BASED ON DETERMINISTIC OBSERVERS AND FEEDBACK LINEARIZATION METHOD

This work is on synchronous machine rotor speed control system. Usually, synchronous machine is regarded as a machine that is connected directly to the electrical grid. In that case, its electrical control is obtained only by the excitation system. But, if a synchronous machine is used for electrical drive, it is connected to the frequency converter. Frequency converter enables control of the stator winding voltage, and consequently rotor speed control could be obtained. Rotor speed operating regimes are necessary for hydro power plants starting into compensation operation. They are also necessary for pump storage hydro starting into pumping operation. To obtain the speed control in starting process, frequency converters of about ten percent of the machine nominal power could be used. Recently, due to the optimization, a rotor speed controlled regimes are also used for nominal power conditions. The best examples are electrical drives for pump storage hydro and wind power generation. Rotor speed regime of the synchronous machine is also used in many industrial drive applications, usually when high power or high overload capability is demanded.

Classical linear rotor speed control systems use many approximations. Due to the complexity of the synchronous machine dynamical system, these approximations disables classical control to achieve high performances. In this work, synchronous machine has been considered in its full complexity.

To make an appropriate mathematical notation, dynamical systems of the sixth order are used. Except from stator and rotor currents, in the first dynamical system, damper winding currents are also used as system state variables. In the second dynamical system, instead of damper winding currents, damper winding fluxes are used.

After the observability analysis, deterministic observers for both dynamical systems are obtained. Except from the full order observers, reduced order observers have been also obtained. Model reference adaptive system for load torque estimation has been also obtained.

Using the deterministic observers and load torque estimation a nonlinear control law could be applied. It is done by nonlinear control method called input-output linearization. Obtained control law shows that electromagnetic torque and magnetic flux are controlled independently. It could be said that decoupled control system is obtained.

Modelling and simulation of the synchronous machine control system have been done by Matlab/Simulink. Synchronous machine of lower (SM1) and synchronous machine of higher (SM2) power have been tested.

Comparison of the nonlinear control with the linear control has been also done. To make an appropriate performance comparison, a joint simulation model has been built. Simulation testing of the starting and of the load torque step changes have been done for both machines. Nonlinear control gives better results; especially at beginning of starting, at reaching the nominal speed and at the load step change. The only disadvantage of the nonlinear control is low level of the permanent error that could appear due to lack of the integral gain.

Processor in the loop testing of the nonlinear control has been also done. Simulation model has been connected to the processor, and real time closed loop system has been obtained. Both machines have been tested, and results are good for each one of them.

In *Chapter 1 - Introduction*, frequency converter drives for synchronous machines are presented. Frequency converter classification together with its control principles have been given.

Chapter 2 - Issues of the synchronous machine classical control system, describes problems of the classical control. Classical linear rotor speed control is done by cascaded control system with PI controllers. In its outer control loops are references of the rotor speed and magnetic flux and its PI controllers. In its inner loops are PI controllers for stator current components. D axis current is used in magnetic flux loop and q axis current is used in the speed (electromagnetic torque) loop. Due to the fact that each current component changes both (magnetic flux and electromagnetic torque), it could be concluded that decoupled control cannot be achieved by classical control system.

Chapter 3 - Literature overview, gives an overview of all state of the art studies regarding synchronous machine rotor speed control. Linear control techniques of DTC and FOC methods have been analyzed. Nonlinear control studies have been also considered. Advantages and disadvantages of each of them have been discussed. Studies does not give proof of decoupled control. Also, each one of them use control in the excitation system. Accordingly, it has been concluded that using observers and nonlinear control technique, fully decoupled novel control system could be obtained. Using this novel control system, control in the excitation circuit could be omitted.

Chapter 4 - Deterministic state observers for the synchronous machine, gives detailed derivation of the Luenberger observer expressions. From the dynamical system of the synchronous machine, Luenberger observers have been proposed. Observability analysis have

been done and observer stability proof has been obtained. Stability has been proved via adequate Lyapunov function and convergence coefficients. Full order observer of the damper winding currents is described. Also full order and reduced order observers for the damper winding flux has been also described. Adaptive observer for stator and rotor resistance adaptation has been also given.

Except from that, nonlinear and linear observability analysis for the torque estimation system have been also done. Then, several proposals for the torque estimator have been given. Simulation testing for each one of them has been done and model reference adaptive estimator has been chosen for further use.

Chapter 5 – Novel control system, describes feedback linearization technique and gives derivation of the control law. At first it is shown that full state feedback linearization (input-state) for the synchronous machine dynamical system is not possible to obtain. Then, partial linearization control technique (input-output feedback linearization) is applied. The control law is obtained, and it shows that controls of electromagnetic torque and magnetic flux are decoupled. The stability proof of the control system is obtained by Lyapunov function. Asymptotic stable system of observer plus control system has been obtained.

In *Chapter 6 – Simulation model*, using *Per Unit* notation a dynamical system suitable for simulation has been given. Then, simulation model in Matlab Simulink has been built. The model contains energetic and control part. Energetic part consists of the DC source, DC/AC converter and synchronous machine. Control part consists of Park transformations, observer, nonlinear controller and space vector modulation. Limitations of the real time processor have been also taken into consideration.

Chapter 7 – Assessment by simulation. This chapter gives assessment of the damper winding current and damper winding flux observers. Full and reduced order observers are used in rotor speed control system. Starting process of the machine has been simulated. The precise damper winding observation and precise control is obtained using each one observer. But, observer of damper winding currents brings oscillations into the control system and consequently into the electromagnetic torque. That is why it is not recommended to use it in the closed loop system. Damper winding flux observers give precise results with low level of the electromagnetic torque oscillations. Due to its simplicity, reduced order flux observer is used in further simulations and testing. Testing of the novel control system has been done also for the complete AC/DC/AC converter configuration. Its operation has been also tested when the complete control of the excitation system has been introduced. Testing has been also done for the synchronous machine parameter variation.

Chapter 8 – Linear control system and comparison with nonlinear control. In this chapter, to obtain a valid comparison, a novel linear control system has been also built.

Linear control system is based on stator field orientation control principle. It is cascaded control system with inner and outer control loops for the control of the stator voltage. Control in the excitation system has not been applied. Outer control loops are made for rotor speed and magnetic flux control, while inner control loops are made for current components control. At first, current components control in inner loops are analyzed. Their control is obtained using internal model principle. Then, the transfer functions for the outer control loops are derived. Using root locus, bode and nyquist diagrams and disturbance rejection the outer control loops stability have been analyzed. Consequently, tuning of the PI controllers have been done.

To make a comparison between nonlinear and linear control systems, simulation studies of starting and load step changes have been done. Comparison has been done for both lower power (8,1 kVA) SM1 and higher power (1,56 MVA) SM2 synchronous machines. Simulations have been obtained in the same file under the same circumstances. Machines were controlled only through the inverter that was connected to the stator winding. On the rotor winding constant nominal voltage was applied. Nonlinear control system have used reduced order flux observer, while linear control system have used damper winding currents directly from the machine models. Therefore, some advantage was given to the linear control system.

Results for both of the machines show that rotor speed error for the linear control system is significantly higher. Also, electromagnetic torque in linear control have some oscillations at the beginning of dynamic and at reaching of the nominal point.

Chapter 9 – Simulation of the nonlinear control with the load torque estimation. Using reduced order damper winding flux observer and model reference adaptive load torque estimation simulation studies of the starting and load torque step changes have been done. Two kinds of starting processes have been considered. The first one is unloaded starting and the second one is starting with linearly increasing load torque. Load torque estimation errors are insignificant. Flux observers performance is precise, and so is the rotor speed dynamic. During load torque step change of about hundred percent, load torque estimation has an error of about few percent. In spite of that, flux observer performance is again precise and so is the rotor speed dynamic.

Chapter 10 – Processor in the loop testing, outlines setup and test results for PiL testing. Simulations in previous chapters are first phase of the model based development and are called model in the loop (MiL) testing. The second phase of testing called processor in the loop (PiL) testing, has been described in this chapter. The testing equipment consists of PC and processor. While simulation of the energetic part of the system (synchronous machine, inverter and DC

source) runs on PC, the control algorithm runs on TI C2000 target processor with its docking station. Data exchange between Simulink model and C2834x control card has been done in real time by serial RS232 communication. During the PiL testing, data precision has to be reduced from double to single. For this reason, some error in performance is expected. In spite of that, testing of the starting, reversing and load step changes are accomplished and their results confirm ability of the proposed control algorithms.

Chapter 11 – Conclusion, gives summary of all results and final assessment of this thesis. Dynamical system of SM is characterized with high nonlinearity, variable coupling and unknown damper winding state variables. If the control of the SM is done by the classical linear control system, its complexity has to be simplified. Usually, dynamics of the damper winding are neglected. Besides, classical control use currents components controllers to obtain torque and flux control. Coupling in the SM dynamical system makes that change of any current component necessary changes both; torque and flux. Due to these reasons, classical system cannot provide efficient control system with good dynamic performance.

Using nonlinear techniques, fully decoupled torque and flux control could be obtained. To make it applicable, damper windings states should be known. In this work, using damper winding observers and nonlinear control law, a high performance rotor speed tracking system is obtained. Full order and reduced order deterministic observers of damper winding currents and damper winding fluxes are presented. Nonlinear control law is obtained using feedback linearization method.

A comparison between classical linear system and novel control system has been done. At the beginning of the starting as well as at reaching of the nominal speed classical control system exhibits oscillations, while the novel control keeps tracking precisely.

Processor in the loop testing of the novel control system has been also done. Except from damper winding flux observer, load torque estimation has been also used. The system performance during starting, reversing of the speed and during load step changes has been tested. Due to reduction in data precision, some error of the damper flux observer and load torque estimator appears. In spite of that, performance of the rotor speed tracking system is precise. It could be concluded that proposed control system has advantages over classical and gives some new opportunities.

Keywords:

synchronous machine, excitation and damper winding, frequency converter, control systems, nonlinear control, feedback linearization

SADRŽAJ:

1	UVOD	1
1.1	Motorni režim sinkronog stroja kod proizvodnje električne energije	1
1.1.1	Asinkroni zalet	1
1.1.2	Sinkroni zalet	2
1.1.3	Sustavi za rad sinkronog stroja s promjenjivom brzinom vrtnje	2
1.2	Motorni pogoni sa sinkronim strojem	4
1.3	Klasifikacija frekvencijskih pretvarača	4
1.4	Upravljanje pretvaračem	5
1.4.1	Vektorsko upravljanje	5
1.4.2	<i>DTC</i> upravljanje	6
1.4.3	Nelinearni sustavi upravljanja	6
1.5	Karakteristike razmatranog pogona	6
2	OPIS PROBLEMATIKE KLASIČNOG UPRAVLJANJA SINKRONIM MOTOROM	8
3	PREGLED ISTRAŽIVANJA POSTOJEĆIH METODA UPRAVLJANJA SINKRONIM MOTOROM	11
3.1	Upravljanje <i>DTC</i> metodom	11
3.2	Upravljanje <i>FOC</i> metodom	11
3.3	Istraživanja vezana uz nelinearno upravljanje	12
3.3.1	Upravljanje <i>backstepping</i> metodom	12
3.3.2	Upravljanje metodom pasivnosti	13
3.3.3	Upravljanje nelinearnom adaptivnom metodom	13
3.3.4	Upravljanje prediktivnom metodom	14
3.3.5	Upravljanje bez mjernog člana vrtnje	15
3.3.6	Ostala istraživanja upravljanja sinkronim motorom	15
3.4	Zaključak	16
4	DETERMINISTIČKI OBSERVERI STANJA SINKRONOG STROJA	18
4.1	Uvod	18

4.2	Klasični model sinkronog stroja	18
4.3	Dinamički model sinkronog stroja sa strujama prigušnih namota	20
4.4	Observeri punog reda sa strujama prigušnih namota	22
4.4.1	Stabilnost observera punog reda sa strujama prigušnih namota	23
4.4.2	Dokaz stabilnosti observera punog reda sa strujama prigušnog namota.....	24
4.5	Dinamički sustav sinkronog stroja s tokovima prigušnog namota	28
4.6	Observer punog reda s tokovima prigušnog namota.....	31
4.6.1	Osmotrivost sustava punog reda s tokovima prigušnog namota.....	31
4.6.2	Dokaz osmotrivosti za sustav punog reda s tokovima prigušnog namota.....	32
4.6.3	Stabilnost observera punog reda s tokovima prigušnog namota.....	36
4.7	Observeri reduciranog reda s tokovima prigušnog namota	37
4.8	Observer sa adaptacijom otpora statorskog i rotorskog namota	38
4.9	Estimacija momenta tereta.....	40
4.9.1	Osmotrivost sustava za estimaciju momenta tereta	40
4.9.2	Observer s <i>MRAS</i> sustavom.....	45
4.9.3	Linearni Gopinathov observer	47
4.9.4	Luenbergerov reducirani observer	49
4.10	Zaključak.....	50
5	IZRADA SUSTAVA UPRAVLJANJA	51
5.1	Linearizacija u povratnoj vezi.....	51
5.1.1	Princip linearizacije ulaz-izlaz.....	51
5.2	Provjera mogućnosti linearizacije u povratnoj vezi sustava sinkronog stroja.....	51
5.3	Izvod zakona upravljanja ulazno-izlaznom linearizacijom	53
5.4	Stabilnost sustava upravljanja.....	55
5.4.1	Stabilnost ukupnog sustava.....	55
5.4.2	Stabilnost prema nelinearnoj teoriji	55
5.4.3	Unutarnja dinamika	56

6	IZRADA SIMULACIJSKOG MODELA.....	58
6.1	Izvod jednadžbi sinkronog stroja prikladan za simulaciju	58
6.1.1	Utjecaj filtera	61
6.2	Simulacijski modeli.....	62
6.2.1	Osnovni simulacijski model	62
6.2.2	Varijacije sustava upravljanja.....	64
6.2.3	Podaci stroja.....	64
7	SIMULACIJSKA PROCJENA OBSERVERA	65
7.1	Simulacijski rezultati upravljanja pri korištenju observera prigušnih struja	65
7.1.1	Rezultati pokusa zaleta s reverziranjem pri uzorkovanju 12 kHz	65
7.1.2	Rezultati pokusa zaleta i reverziranja pri uzorkovanju 48 kHz	67
7.2	Simulacijski rezultati upravljanja pri korištenju observera prigušnih tokova	69
7.2.1	Simulacijski rezultati pri korištenju observera punog reda s tokovima prigušnog namota 70	
7.2.2	Simulacijski rezultati pri korištenju observera s adaptacijom otpora statorskog i rotorskog namota	72
7.3	Upravljanje novim sustavom upravljanja u potpunoj konfiguraciji AC/DC/AC pretvarača.....	74
7.3.1	Simulacijski rezultati s integracijom AC/DC pretvarača.....	75
7.3.2	Simulacija s integracijom regulacije u uzbudnom krugu	77
7.4	Simulacijski rezultati pri promjeni induktiviteta sinkronog stroja.....	81
7.5	Zaključak	83
8	IZRADA LINEARNOG SUSTAVA UPRAVLJANJA I USPOREDBA S NELINEARNIM	84
8.1	Shema linearnog upravljanja	84
8.2	Regulacija struja statora.....	85
8.3	Regulacija brzine vrtnje i elektromagnetskog momenta	86
8.3.1	Analiza stabilnosti kruga brzine za stroj 8,1 kVA	87

8.4	Regulacija magnetskog toka	90
8.4.1	Analiza stabilnosti kruga magnetskog toka za stroj 8,1 kVA.....	91
8.5	Odabir parametara regulatora za stroj 8,1 kVA.....	93
8.6	Simulacijski rezultati za stroj 8,1 kVA.....	94
8.6.1	Zalet pod opterećenjem	94
8.6.2	Zalet bez opterećenja.....	95
8.6.3	Skokovita promjenom momenta od 50 posto nazivnog momenta opterećenja - 0,35 p. u.....	96
8.6.4	Skokovita promjenom momenta od 100 posto nazivnog momenta opterećenja - 0,7 p. u.	97
8.7	Simulacija stroja 1,56 MVA	99
8.7.1	Zalet pod opterećenjem	101
8.7.2	Zalet bez opterećenja.....	102
8.7.3	Skokovita promjena opterećenja od 50 posto nazivnog momenta opterećenja - 0,45 p. u.....	103
8.7.4	Skokovita promjena opterećenja od 100 posto nazivnog momenta opterećenja - 0,9 p. u.	104
8.8	Zaključak	105
9	SIMULACIJE S ESTIMACIJOM MOMENTA OPTEREĆENJA	106
9.1	Simulacijski rezultati za stroj 8,1 kVA.....	106
9.1.1	Zalet bez opterećenja.....	106
9.1.2	Skokovita promjena opterećenja od 50 posto nazivnog momenta opterećenja - 0,35 p. u.....	108
9.1.3	Skokovita promjena opterećenja od 100 posto nazivnog momenta opterećenja – 0,75 p.u.....	108
9.1.4	Zalet pod opterećenjem	110
9.2	Simulacija stroja 1,56 MVA	111
9.2.1	Zalet bez opterećenja.....	111

9.2.2	Skokovita promjena opterećenja od 50 posto nazivnog momenta opterećenja – 0,45 p.u.....	112
9.2.3	Skokovita promjena opterećenja od 100 posto nazivnog momenta opterećenja - 0,9 p.u.	113
9.2.4	Zalet pod opterećenjem	114
9.3	Zaključak	115
10	ISPITIVANJE S PROCESOROM U PETLJI.....	116
10.1	Uvod.....	116
10.2	Povezivanje računala s procesorom.....	116
10.3	Ispitivanje sustava upravljanja	118
10.3.1	Rezultati ispitivanja zaleta s reverziranjem za sinkroni stroj 8,1 kVA	118
10.3.2	Skokovita promjenama opterećenja od 100 posto za sinkroni stroj 8,1 kVA ..	121
10.3.3	Rezultati ispitivanja zaleta s reverziranjem za sinkroni stroj 1,56 MVA.....	122
10.3.4	Skokovitim promjenama opterećenja od 100 posto za sinkroni stroj 1,56 MVA 124	
10.4	Zaključak.....	125
11	ZAKLJUČAK	126
	Popis oznaka.....	128
	Prilog A – koeficijenti dinamičkog sustava sinkronog stroja s prigušnim strujama	129
	Prilog B –koeficijenti dinamičkog sustava sinkronog stroja s tokovima prigušnog namota	132
	Prilog C1-a Observer s prigušnim strujama-konvergenijski koeficijenti	134
	Prilog C1-b Observer s prigušnim strujama-integracija observera	135
	Prilog C1-c Observer s prigušnim tokovima- punog reda s adaptacijom otpora	136
	Prilog C2-a Zakon upravljanja –osnovni model	137
	Prilog C2-b Zakon upravljanja –izračun upravljanja	137
	Prilog C3-a Prostorno vektorska modulacija –osnovni model.....	138
	Prilog C3-b Prostorno vektorska modulacija –izračun granica kuta rotora.....	139

Prilog C3-c Prostorno vektorska modulacija –određivanje sektora	140
Prilog C4-a AC/DC/AC pretvarač –energetski model	141
Prilog C4-b AC/DC/AC pretvarač –upravljanje AC/DC dijelom pretvarača	142
Prilog D1 - Simulacijski model s povezivanjem na procesor	143
Prilog D2 – Model upravljanja u procesoru.....	143
Prilog D3 - Izračun kuta rotora u procesoru	144
Prilog D4 - Parkova transformacija struja i napona u procesoru	144
Literatura.....	145
Životopis	151
Popis radova	151
Curriculum Vitae.....	153

1 UVOD

Budući da je tema ovog rada upravljanje sinkronim strojem u motornom režimu rada, uvodnim poglavljem su obuhvaćeni elektromotorni pogoni sinkronog stroja s nezavisnom uzbudom. Motorni režimi sa sinkronim strojem postoje kod proizvodnih jedinica, a isto tako i kod elektromotornih pogona.

Obzirom da se za realizaciju pogona koriste frekvencijski pretvarači, obuhvaćena je i podjela frekvencijskih pretvarača te je obavljena i usporedba njihovih osnovnih topologija.

Zatim slijedi osvrt na klasične sustave upravljanja elektromotornim pogonima sinkronog stroja. To su vektorsko upravljanje (*Field Oriented Control, FOC*) i izravno upravljanje momentom (*Direct Torque Control, DTC*). Također su naznačene i sve važnije metode nelinearnog upravljanja koje se koriste za upravljanje izmjeničnim strojevima.

Poglavlje završava odabirom vrste pogona koji se koristi u ostatku rada.

1.1 Motorni režim sinkronog stroja kod proizvodnje električne energije

Sinkroni stroj se u jedinicama za proizvodnju električne energije ponajviše promatra kao generator. Osim toga, stroj se može koristiti i u kompenzacijskom i u motornom režimu rada. Kod hidroelektrana se kompenzacijski režim može koristiti u razdobljima niskih voda. Ukoliko postoji potreba za pumpanjem vode, koristi se motorni režim rada. Razmotrene su dvije mogućnosti motornog pogona sinkronog stroja. Prva se odnosi samo na prelazak u motorni režim rada odnosno služi samo za zalet stroja. Druga se odnosi na kontinuirani rad u motornom režimu, a u literaturi se nalazi pod nazivom sustav s promjenjivom brzinom vrtnje.

Osobito je zanimljivo razmotriti mogućnost prelaska iz generatorskog u kompenzacijski odnosno motorni režim rada. Postoje tri osnovna načina prelaska:

- asinkroni zalet,
- sinkroni zalet pomoću drugog sinkronog stroja (*Back to Back*),
- sinkroni zalet statičkim frekventnim pretvaračem (*Static Frequency Converter -SFC*).

1.1.1 Asinkroni zalet

Najjednostavnija metoda zaleta je asinkroni zalet. Tada se stroj spoji ili izravno ili na puni napon mreže ili pomoću transformatora na sniženi napon. Dužina trajanja zaleta je u kvadratnoj ovisnosti o narinutom naponu. Povišenjem napona se skraćuje dužina trajanja zaleta ali se povećavaju naprezanja. Previsok iznos inducirano napona u uzbudnom krugu sprječava se otpornikom. Osim toga, iznosom otpora se utječe i na dužinu trajanja zaleta. Elektromagnetski

moment se uglavnom ostvaruje prigušnim namotom i rezultat je razlike između sinkrone i brzine rotora stroja [1]. Asinkroni zalet u svakom slučaju rezultira velikim elektromagnetskim naprezanjima kako stroja, tako i elektroenergetske mreže.

1.1.2 Sinkroni zalet

Osim asinkronim zaletom, prelazak je moguće obaviti i sinkronim zaletom. Kao što i sama riječ govori u sinkronom zaletu su frekvencije narinutog izvora i brzine rotora međusobno bliske. Ukoliko je izvor promjenjive frekvencije sinkroni stroj čijim se gibanjem može upravljati, zalijetanje nazivamo *Back to Back*. U ovom slučaju se ostvaruje električna veza između dva stroja. Stroj koji se pokreće pogonskim momentom se smatra generatorom dok se onaj kojeg pokrećemo pomoću električne veze smatra motorom. Ispravno pokretanje stroja je moguće samo ukoliko relativni kut između rotora ostane unutar granica koje osiguravaju dinamičku stabilnost. Uspješan *Back to Back* zalet je ovisan o brojnim uvjetima:

- zakonu upravljanja momentom pogonskog stroja generatora,
- iznosu i omjerima uzbuda generatora i motora,
- iznosu tereta motora,
- iznosu radnih otpora u spojnim vodovima,
- iznosu početnog relativnog kuta između rotora generatora i motora.

Uviđamo ovdje da su uvjeti za ostvarenje stabilnosti kod ove vrste zaleta brojni. Osim toga, ne smije se zaboraviti da je pri zaletu potrebno koristiti još jedan sinkroni stroj. Zbog svih ovih traženih uvjeta metoda se rijetko primjenjuje, osobito kod većih proizvodnih jedinica.

Ukoliko se kao izvor promjenjive frekvencije na stator sinkronog stroja priključi uređaj energetske elektronike (*Static Frequency Converter - SFC*), zalet se naziva sinkroni zalet pomoću statičkog frekventnog pretvarača. Budući da pretvarač obavlja prilagodbu frekvencije i iznosa napona, ovo je najsofisticiraniji način zalijetanja stroja. Jedini problem je tržišna cijena pretvarača.

1.1.3 Sustavi za rad sinkronog stroja s promjenjivom brzinom vrtnje

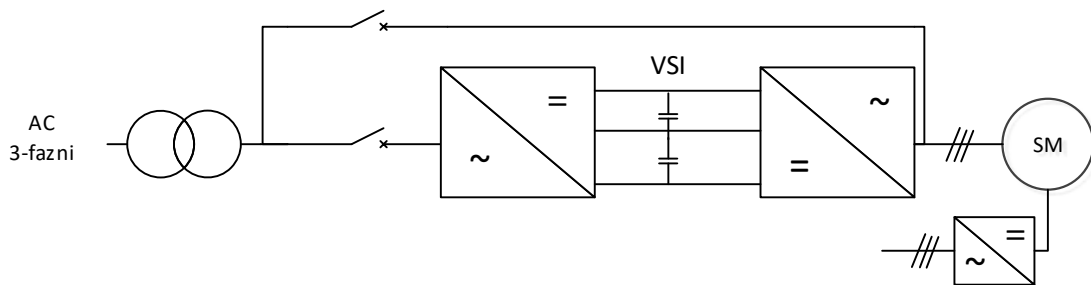
Za prelazak u motorni režim rada je potrebno, ovisno o uvjetima zaleta, koristiti frekvencijski pretvarač od otprilike 10 posto nazivne snage agregata. Osim toga, u novije vrijeme se zbog povećanja učinkovitosti motornog režima te optimiranja elektroenergetskog sustava razmatra i nazivni rad stroja s reguliranom brzinom vrtnje. U tim uvjetima je upravljanjem pretvaračem omogućena trajna regulacija snage i u generatorskom i u motornom režimu rada. Regulacija svoj smisao pronalazi u oba režima:

- optimira dnevnu ravnotežu proizvodnje i opterećenja,
- povećava učinkovitost rada turbine,
- smanjuje vibracije i buku agregata,
- povećava područje rada turbine.

Sustavi za rad stroja s promjenjivom brzinom vrtnje se mogu realizirati i s asinkronim i sa sinkronim strojem. Prema tome, postoje dvije osnovne konfiguracije. Prva se naziva varijabilni sustav s pretvaračem pune snage, a druga je varijabilni sustav s dvostruko napajanim asinkronim strojem. Navedene su prednosti i nedostaci oba sustava [2]. Sustav s pretvaračem pune snage i sinkronim strojem je korišten u daljnjem radu.

1.1.3.1 Sustav s pretvaračem pune snage

Realiziran je spajanjem pretvarača pune snage sa statorom sinkronog stroja. Za izvedbu je ključno postojanje pretvarača što većih snaga. Kao što je već rečeno, razvoj učinske elektronike brzo napreduje i na tržištu već postoje pretvarači nazivnih snaga do 100 MVA. Konfiguracija je prikazana na slici 1.1:



Slika 1.1 Sustav s pretvaračem pune snage

Prednosti izvedbe sustava sa slike 1.1 su sljedeće:

- fleksibilnost u svim radnim režimima,
- korištenje standardne izvedbe sinkronog stroja te
- niski troškovi održavanja,

dok su nedostaci:

- cijena frekvencijskog pretvarača i
- ograničenje snage na približno 100 MVA

1.2 Motorni pogoni sa sinkronim strojem

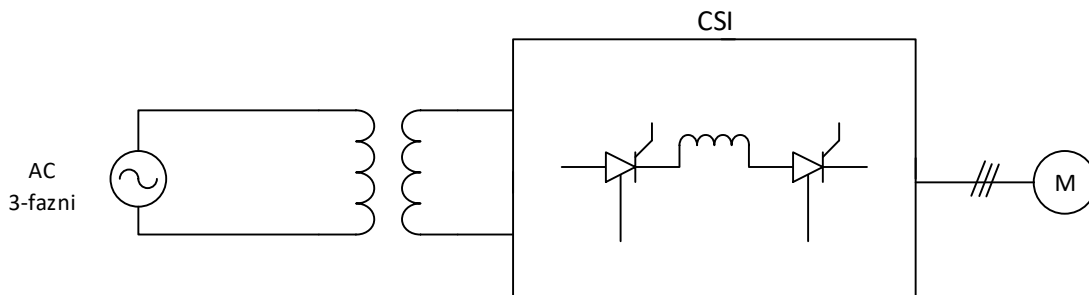
Zbog određenih prednosti u usporedbi s asinkronim strojem, u gotovo svim industrijskim granama može postojati potreba za elektromotornim pogonima sa sinkronim motorom. Posebice, ukoliko postoji zahtjev za većim snagama, pogon sa sinkronim strojem lako pronalazi svoje mjesto:

- u industriji nafte i plina za pogone kompresora i pumpi,
- u metalnoj industriji za pogone valjanja,
- u cementnoj industriji za pogone pokretnih traka,
- u rudarstvu za pogone iskapača i ventilatora,
- za pogone pumpi, kompresora, ventilatora u jedinicama za proizvodnju električne energije itd.

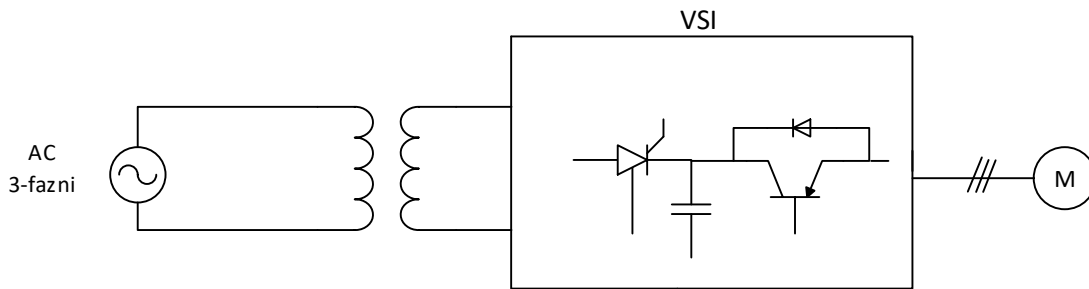
1.3 Klasifikacija frekvencijskih pretvarača

Frekvencijski pretvarači izmjenični napon pretvaraju u istosmjerni napon konstantnog iznosa te opet u izmjenični promjenjive frekvencije i amplitude. Pretvarači se klasificiraju obzirom na istosmjerni međukrug [3].

Istosmjerni međukrug u osnovi može biti izveden kao spremnik induktivne energije ili kao spremnik kapacitivne energije. Ukoliko je istosmjerni međukrug spremnik induktivne energije naziva se pretvarač sa utisnutom strujom (*Current Source Inverter - CSI*). Ukoliko je istosmjerni međukrug spremnik kapacitivne energije naziva se pretvarač sa utisnutim naponom (*Voltage Source Inverter - VSI*). Tipične konfiguracije [4] pretvarača sa utisnutom strujom, odnosno naponom su prikazane na slikama 1.2 te 1.3. U daljnjem radu se koristi pretvarač s utisnutim naponom.



Slika 1.2 Frekvencijski pretvarač s utisnutom strujom



Slika 1.3 Frekvencijski pretvarač s utisnutim naponom

1.4 Upravljanje pretvaračem

Upravljački algoritmi se baziraju na tehnici sklapanja poluvodičkih sklopki tako da se napon napajanja trofaznog izmjeničnog stroja promatra kao vektor kojem je moguće mijenjati iznos, fazu i frekvenciju. Do sada je predložen veći broj algoritama, no dva su temeljna pristupa koja su ugrađena u većinu današnjih pretvarača napona i frekvencije [6]:

- vektorsko upravljanje odnosno upravljanje orijentacijom toka - *FOC*
- izravno upravljanje momentom i tokom - *DTC*

1.4.1 Vektorsko upravljanje

Princip *FOC* upravljanja se temelji na regulaciji dva okomita vektora. Jedan od tih vektora je magnetski tok, a drugi je komponenta struje statora koja je okomita na magnetski tok. Regulacijom drugog vektora struje, ukoliko magnetski tok ostaje nepromijenjen, ostvaruje se regulacija elektromagnetskog momenta.

Budući da postoji više mogućnosti za odabir orijentacije toka, postoje i tri varijante upravljanja:

- orijentacijom statorskog toka,
- orijentacijom rotorskog toka,
- orijentacijom toka u zračnom rasporu.

Svaka od njih donosi određene posebnosti s obzirom na vrstu metode i vrstu stroja na kojem je primijenjena.

Isto tako, orijentaciju toka karakteriziraju transformacije koordinata te višestruki *P* te *PI* regulatori.

1.4.2 DTC upravljanje

DTC upravljanje pojednostavljuje strukturu upravljanja. Budući da je stroj električni spojen s frekvencijskim pretvaračem, odgovarajućim odabirom uklopljenih odnosno iskllopljenih poluvodičkih sklopki upravlja se momentom i tokom stroja.

Umjesto regulatora, DTC koristi komparatore koji utvrđuju razliku referentnih i stvarnih veličina. Nakon toga, s obzirom na utvrđenu razliku, pomoću tablice sklapanja (*look-up table*) odabire se novo sklopno stanje pretvarača.

1.4.3 Nelinearni sustavi upravljanja

Da bi se poboljšala svojstva vektorskog i DTC sustava upravljanja istražuje se primjena nelinearnih sustava upravljanja. Najznačajnije metode nelinearnog upravljanja koje se primjenjuju pri upravljanju izmjeničnim strojevima su:

- linearizacija i *gain scheduling*,
- linearizacija u povratnoj vezi,
- Lyapunovljev redizajn i *backstepping*,
- klizni režim,
- upravljanje temeljeno na pasivnosti,
- optimalno upravljanje,
- adaptivno upravljanje,
- upravljanje neuronskim mrežama,
- upravljanje neizržitom logikom.

1.5 Karakteristike razmatranog pogona

Prema svemu prethodno navedenom u ovom poglavlju odabrane su karakteristike pogona na kojem će se obaviti istraživanje.

Od posebnog je interesa obuhvatiti pogon sinkronog stroja (snage veće od 1 MVA) koji ima primarnu funkciju raditi kao generator za proizvodnju električne energije. Zbog toga odabrani sinkroni stroj ima prigušni namot.

Radi općenitosti razmatran je stroj s istaknutim polovima. Obzirom na uzbudu, korišten je sustav s nezavisnom statičkom uzudom. Topologija pretvarača je VSI.

Budući da se istraživanje odnosi na sustav upravljanja, od interesa je koristiti potpuno upravljive elektroničke komponente.

Pogonom odabranih karakteristika omogućuje se primjena zaleta hidroagregata, primjena promjenjive brzine vrtnje reverzibilnih hidroagregata, primjena pogona vjetroagregata, brodske propulzije te brojnih elektromotornih pogona sinkronog stroja u industriji.

2 OPIS PROBLEMATIKE KLASIČNOG UPRAVLJANJA SINKRONIM MOTOROM

Za upravljanje nezavisno uzbuđenim sinkronim strojem klasično se koristi vektorsko *FOC* upravljanje. Osnova za vektorsko upravljanje je promatranje veličina u rotirajućem *dq* sustavu. Zbog toga se obavlja transformacija izmjeničnih mjerenih veličina trofaznog sustava u *dq* komponente rotorskog rotirajućeg koordinatnog sustava. Budući da *dq* komponente u normalnim pogonskim uvjetima nisu sinusne veličine, transformacijom je olakšana primjena regulatora. Uz obavljanje osnovnih regulacijskih funkcija nastoji se ostvariti i nezavisnost upravljanja reguliranim varijablama.

Sljedeće razmatranje vrijedi za bilo koji magnetski tok u stroju, a bit će obavljeno za statorski tok. Oznake za sve magnetske tokove, struje, napone, parametre i slično priložene su u Popisu oznaka. Izrazi za statorski magnetski tok su prikazani:

$$\psi_d = L_d(-i_d) + L_{md}i_f + L_{md}i_D \quad (2.1)$$

$$\psi_q = L_q(-i_q) + L_{mq}i_Q \quad (2.2)$$

gdje su:

ψ_d, ψ_q magnetski tokovi statora,

L_d, L_q induktiviteti statora,

L_{md}, L_{mq} zajednički induktiviteti,

i_d, i_f, i_D struje u *d* osi statorskog, uzbuđenog te prigušnog namota,

i_q, i_Q struje u *q* osi statorskog te prigušnog namota.

Ukoliko se zanemari utjecaj prigušnog namota iz jednadžbi (2.1), (2.2) vidljivo je da:

- magnetski tok u *d* osi nastaje međudjelovanjem struje uzbuđenog sa statorskom strujom u *d*-osi (2.1),
- magnetski tok u *q* osi nastaje od struje statora u *q*-osi (2.2).

Elektromagnetski moment nastaje međudjelovanjem magnetskih tokova i struja:

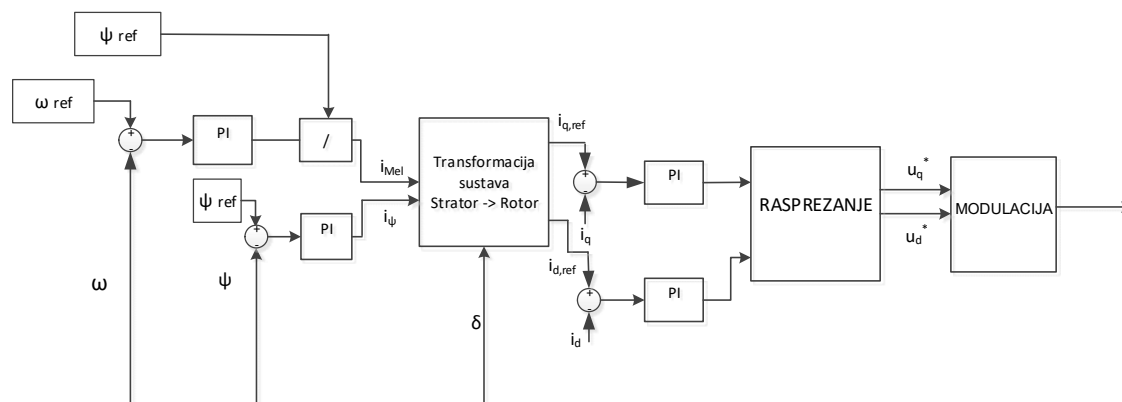
$$M_e = \psi_d i_q - \psi_q i_d \quad (2.3)$$

Iz razmatranja je evidentno da u matematičkom smislu postoji međuovisnost momenta i toka.

Promjena bilo koje od *dq* komponenti struje statora utječe i na moment i na tok.

Klasični sustav regulacije sinkronog stroja je prikazan na slici 2.1. Shema klasičnog upravljanja se sastoji od dva kruga: kruga upravljanja brzinom vrtnje (elektromagnetskim momentom) te kruga upravljanja magnetskim tokom. Referentne vrijednosti su elektromagnetski moment i magnetski tok. U oba kruga se, s obzirom na povratne vrijednosti, generiraju referente

vrijednosti struja statora. Klasični sustav, dakle u svojim upravljačkim krugovima koristi upravo regulatore dq komponenti statorskih struja. U krugu upravljanja brzinom vrtnje (elektromagnetskim momentom) regulira se q komponenta struje statora, a u krugu upravljanja magnetskim tokom regulira se d komponenta struje statora. Takvim sustavom upravljanja se može ostvariti stabilnost, međutim razdvojenost upravljanja tokom i momentom, sukladno prethodnoj analizi nije ostvariva.



Slika 2.1 Shema klasičnog upravljanja

U klasičnom upravljanju nastoji se ostvariti barem neovisnost u smislu upravljanja strujom. To znači da u_d komponenta napona treba upravljati samo i_d komponentom struje, a u_q komponenta napona treba upravljati samo i_q komponentom struje. U zapisu dinamičkog sustava magnetskih tokova

$$\frac{d\psi_d}{dt} = u_d - R_s i_d + \omega \psi_q \quad (2.4)$$

$$\frac{d\psi_q}{dt} = u_q - R_s i_q - \omega \psi_d \quad (2.5)$$

vidi se da posljednji članovi predstavljaju napon rotacije iz druge osi. Zbog toga su jednadžbe međuovisne te se kaže da postoji svezanost varijabli.

Osim toga, postojanje prigušnog namota dinamiku stroja čini dodatno složenom.

Navedene probleme je vrlo teško otkloniti u klasičnom sustavu regulacije. Postoje načini za estimaciju struja u prigušnim namotima. Međutim, nemaju dokazanu stabilnost a to može prouzročiti probleme prilikom većih dinamičkih zahtjeva. Svezanost varijabli se također može eliminirati raspredzanjem, no pritom izračun magnetskih tokova treba biti precizan.

Promatrajući mogućnost realizacije nelinearnog upravljanja metodama koje nastoje linearizirati sustav lako je uočiti da je zbog složenosti dinamičkog sustava stroja te nepoznavanja stanja u prigušnim namotima vrlo teško uspostaviti sustav upravljanja. Upravljanje se tada uglavnom uspostavi uz određene pretpostavke i zanemarenja. Obično se zanemari postojanje prigušnog namota. Struje u prigušnim namotima djeluju pri svakoj promjeni stacionarnog stanja. Uzimanjem u obzir struja u prigušnim namotima upravljanje u zahtjevnijim dinamičkim uvjetima bi zasigurno dobilo na kvaliteti. Budući da se čak i kod linearnog sustava upravljanja u obzir uzima utjecaj prigušnog namota, za izradu nelinearnog sustava upravljanja će biti potrebno izraditi observer stanja prigušnih namota. Tada se, uz odabir nelinearne metode, može potražiti i zakon upravljanja koji najviše odgovara postizanju neovisnosti upravljanja elektromagnetskim momentom od upravljanja magnetskim tokom.

3 PREGLED ISTRAŽIVANJA POSTOJEĆIH METODA UPRAVLJANJA SINKRONIM MOTOROM

Najprije slijedi osvrt na istraživanja vezana za linearne metode upravljanja sinkronim strojem. Linearne metode koje se uglavnom koriste kod upravljanja izmjeničnim strojevima su DTC te vektorsko upravljanje. Nadalje, obuhvaćena su istraživanja nelinearnih metoda upravljanja sinkronim strojem.

3.1 Upravljanje *DTC* metodom

U [8] je obrađeno upravljanje sinkronog stroja pomoću *DTC* metode. Za uspješan rad sustava upravljanja *DTC* metodom nužno je koristiti dobar model sinkronog stroja. Iz matematičkog modela se trebaju proračunati što precizniji iznosi magnetskog toka te elektromagnetskog momenta. Pokazano je da se u izradi *DTC* upravljanja sinkronim strojem treba koristiti i naponski i strujni model stroja. Naponski model je osnovni model na koji se upravljanje oslanja najprije zbog dobrog dinamičkog odziva te i zbog toga što ga je moguće koristiti i bez poznavanja položaja rotora. Međutim, pogreška pri estimaciji napona može izazvati nestabilnost. Pri niskim brzinama je mogućnost za pogrešku osobito velika pa se uz naponski nužno koristi i strujni model. Strujnim modelom se može obaviti preciznija estimacija pa se njime korigira estimacija iz naponskog modela. Rad ukazuje na potrebu za pronalaženje boljih i jednostavnijih rješenja upravljanja. Poboljšanje upravljanja *DTC* metodom bi se ostvarilo pronalaskom boljih estimacija magnetskih tokova.

3.2 Upravljanje *FOC* metodom

U klasičnom vektorskom upravljanju sinkronim motorom [9] postoje tri regulacijska kruga: Dva se regulacijska kruga koriste za brzinu vrtnje (elektromagnetskog momenta), a treći za magnetski tok. Realizirani su *PI* regulatorima sa statorskim komponentama struje u povratnoj vezi. Regulacijski krug struje rotora se realizira korištenjem *PI* regulatora pomoću kojeg se upravlja uzбудnim pretvaračem. Budući da su jednadžbe u *dq* osi stroja međusobno svezane, potrebno je poništiti utjecaj napona rotacije iz suprotne osi. Zbog toga se na izlasku iz regulatora struje obavlja raspredanje.

Sustavom upravljanja signali se transformiraju iz trofaznog sustava u rotirajući rotorski *dq* sustav. Pri izradi upravljačkih signala napona ponovno se prelazi u trofazni sustav. Zbog toga je potrebno koristiti Parkove transformacije koordinata u oba smjera. Za izradu sustava upravljanja potrebno je poznavati i estimirati brojne veličine. Obično su mjerljive veličine struje u statorskim i u krugu uzbude, a magnetske tokove te struje u prigušnim namotima je potrebno

estimirati. Estimaciju struja u prigušnom namotu je osobito teško za obaviti pa se obavlja samo integracijom, bez dokaza stabilnosti.

U [10] su dani rezultati upravljanja orijentacijom rotorskog magnetskog toka stroja. Upravljana veličina je brzina vrtnje stroja. Sustav upravljanja obuhvaća i upravljanje uzбудnim krugom. Za izradu industrijskog pogona ventilatora velike snage korišten je sustav vektorskog upravljanja. Sastoji se od regulacijskih krugova s PI regulatorima dq komponenti statorskih struja te PI regulatorom rotorske struje. Autori smatraju da se za razliku od primjene vektorskog upravljanja kod asinkronog stroja, u slučaju sinkronog stroja razdvajanje upravljanja na upravljanje tokom i momentom ne može obaviti dovoljno kvalitetno. Također napominju da komponenta struje statora kojom se upravlja elektromagnetskim momentom esencijalno mijenja i magnetski tok te da se u tom smjeru sustav upravljanja treba unaprijediti.

U literaturi [11-15] se također primjenjuje vektorski način upravljanja. Upravljanjem su postignute dinamike zaleta te reverziranje brzine vrtnje, a korištena je orijentacija statorskog magnetskog toka. Naime, autori ističu da se sinkronim strojem ne može dovoljno dobro upravljati orijentacijom rotorskog magnetskog toka. Zbog toga predlažu upravljanje orijentacijom statorskog toka. Magnetski tok se uspijeva držati konstantnim pomoću uzbudne struje koja zapravo nadoknađuje promjenu opterećenja. Tako se postiže neovisnost upravljanja elektromagnetskim momentom i magnetskim tokom. U sustav upravljanja je dakle uključeno i upravljanje uzbuđom. Pri izradi upravljanja su korištene višestruke promjene koordinatnog sustava: iz stacionarnih u rotorske, iz rotorskih u statorske, i zatim povratak na rotorske. U sustavu se nalaze i brojni drugi izračuni i brojni regulatori. Osim toga što je sustav složen te nema matematički izvedenih dokaza stabilnosti, utjecaj prigušnog namota nije niti uzet u obzir. Rad [16] razmatra upravljanje nezavisno uzbuđenim sinkronim strojem u motornom režimu rada. Motorom se upravlja preko naponski utisnutog izmjenjivača na strani statora i tiristorom na strani rotora. Frekvencijski pretvarač je predstavljen prijenosnom funkcijom. Način upravljanja je vektorski, a za izradu regulatora statorskih struja korištene su prijenosne funkcije. Razmatranja su obavljena na teorijskoj razini, odnosno simulacija nije obuhvaćala modulaciju signala. Prigušni namoti nisu razmatrani. Isto tako, estimacija magnetskih tokova nije obavljena, već su njihovi iznosi preuzeti izravno iz modela stroja.

3.3 Istraživanja vezana uz nelinearno upravljanje

3.3.1 Upravljanje *backstepping* metodom

U [17] i [18] je razmatrano upravljanje sinkronim strojem pomoću *backstepping* metode. U [18] je uzeto u obzir potpuno upravljanje frekvencijskim pretvaračem, dok se u [17] promatra samo

upravljanje izmjenjivačkim dijelom pretvarača. Korišten je pretvarač s utisnutim naponom. Realiziran je slijedni sustav upravljanja brzinom vrtnje uz regulaciju magnetskog toka. Pri tom se koristi i upravljanje uzбудnim krugom. U [18] se sustavu upravljanja priključuje i upravljanje ispravljačkim dijelom pretvarača u smislu regulacije napona u istosmjernom međukrugu. Izrađen je slijedni sustav upravljanja. Detaljno se opisuje izrada sustava upravljanja pronalaskom adekvatnih koeficijenata Lyapunovljeve funkcije. Simulacija je obavljena samo na matematičkoj razini, odnosno bez uzimanja u obzir pretvarača te njemu pripadajuće modulacije. Izrada zakona upravljanja je znatno olakšana izuzimanjem prigušnog namota te korištenjem triju upravljačkih varijabli; statorski dq i uzbudni napon.

3.3.2 Upravljanje metodom pasivnosti

U istraživanju [19] je dan sustav slijednog upravljanja elektromagnetskim momentom i magnetskim tokom. Pri tome se zadržao princip vektorskog načina upravljanja u smislu poništavanja statorske struje u d osi. Korištena je metoda pasivnosti (*Passivity Based Control, PBC*), tako da je sustav sinkronog stroja zapisan u obliku koji zadovoljava Euler-Lagrangeovu jednadžbu gibanja. Budući da su u obzir uzeta i stanja prigušnih namota, izrađen je observer struja u rotoru. Također je korišten Euler-Lagrangeovo princip. Na izmjenjivačkom dijelu naponski utisnutog pretvarača postavljena je eksperimentalna konfiguracija bazirana na dSPACE sustavu. Rezultati istraživanja nisu u potpunosti prezentirani pa se ne može jasno prosuditi valjanost primjene pasivne metode upravljanja.

U literaturi [20] također je korištena pasivna metoda upravljanja. Najprije je model sinkronog stroja zapisan u formi Port-Hamiltoniana. Obavljena su pojednostavljenja dinamičkog sustava stroja. Zanemaren je utjecaj prigušnih namota, a isto tako u obzir nije uzeta ni prva derivacija magnetskih tokova. Zatim su, pomoću referentnih vrijednosti radne i jalove snage, izvedeni izrazi za referentne vrijednosti statorskih i rotorskih struja te brzine vrtnje. Tada je moguće pomoću *SIDA (Simultaneous Interconnection and Damping Assignment) -PBC* tehnike izraditi sustav upravljanja. Pomoću statorskog i rotorskog napona upravlja se brzinom vrtnje, jalovom snagom te se minimiziraju ukupni gubici stroja. Rad rezultira simulacijskim studijama koje u stacionarnom stanju zadaju skokovitu promjenu reference brzine vrtnje ili skokovitu promjenu momenta tereta.

3.3.3 Upravljanje nelinearnom adaptivnom metodom

Vodeći istraživači iz ovog područja su izradili [21-23] sustav adaptivnog vektorskog upravljanja sinkronim motorom. Model sinkronog stroja od kojeg se kreće u razmatranje obuhvaća i prigušne namote. Supstitucijom magnetskih tokova statorskog te rotorskog namota

postignut je dinamički sustav sedmog reda. Varijable stanja su kut rotora, brzina rotora, magnetski tokovi u prigušnom namotu te struje statora i rotora. U radu [21] se uspostavlja slijedni sustav brzine vrtnje i magnetskog toka u d osi. Istovremeno je zadano i poništavanje statorske struje u d osi. Pri tome se koriste sve tri ulazne naponske veličine d i q statorski naponi te napon uzbude. Na osnovi poznatih referentnih signala brzine vrtnje i toka definiraju se i referentne vrijednosti uzbudne i statorske struje u q osi. Izrađen je i adaptivni observer trećeg reda koji koristi sve do sada navedene referentne veličine. Pomoću Lyapunovljeve funkcije je dokazana stabilnost zakona upravljanja.

U radu [22] se iz sustava sedmog reda izrađuje slijedni sustav upravljanja kutom rotora i magnetskim tokom u d osi. Također se, prema principu vektorskog upravljanja, poništava struja statora u d osi. Slično kao i kod [21] korištenjem zadanih referentnih veličina, mjerenih te observiranih veličina uspostavlja se zakon upravljanja. Njegova stabilnost se dokazuje pomoću Lyapunova. Također, na sličan način kao i kod [21] je obavljena i simulacija matematičkih veličina. U [21-23] u sustave upravljanja su uključeni i projekcijski algoritmi koji uz određene pretpostavke mogu estimirati konstantan moment tereta odnosno inercijsku konstantu stroja. Iako [21-23] obuhvaćaju sinkroni stroj u punoj složenosti, za uspostavu zakona upravljanja potrebno je koristiti i upravljanje naponom uzbude. Osim toga, simulacije ne obuhvaćaju izradu energetskog sustava s pretvaračem i modulacijom već ostaju samo na razini dinamičkog sustava sinkronog stroja.

3.3.4 Upravljanje prediktivnom metodom

U radu [24] je opisan sustav upravljanja sinkronog motora primjenom strujno utisnutog izmjenjivača. Dan je dinamički sustav sinkronog motora u kojem je obuhvaćen i prigušni namot. Iz dinamičkog sustava te mjerenjem struja i napona mreže izveden je prošireni Kalmanov filter. Prošireni Kalmanov filter estimira stanja (tokovi i struje) statora. Pri tom je potrebno izračunati i napon statora. Izračun je obavljen uz zanemarenje dinamika struja statora te magnetskog toka u rotoru. Izračun napona statora je korišten i za estimaciju brzine rotora. Korištenjem estimatora dobivene su sve veličine potrebne za izradu upravljanja elektromagnetskim momentom. Izrađen je i prediktivni sustav upravljanja tako da se minimizira odstupanje od referentne vrijednosti momenta. Obavljena je i eksperimentalna evaluacija koja pokazuje odzive na skokovite promjene reference. Također, upravljanje je uspoređeno s odzivima klasičnog upravljačkog sustava s PI regulatorima. Za realizaciju navedenog upravljanja potrebno je koristiti i ispravljački i izmjenjivački dio pretvarača s

utisnutom strujom. Osim toga, izračuni napona statora i brzine rotora su obavljani uz navedena zanemarenja.

3.3.5 Upravljanje bez mjernog člana vrtnje

Dinamički sustav u [25] je izrađen za razmatranje visokofrekvencijskih pojava. Izvedeni su aproksimativni izrazi za struje statora u visokofrekvencijskom području. Pomoću njih se izradi sklop za faznu sinkronizaciju (*PLL*) za estimiranje kuta rotora. Pomoću Lyapunovljeve funkcije dokazana je stabilnost estimacije. Estimacija se koristi u vektorskom sustavu upravljanja brzinom vrtnje. Korišten je klasičan vektorski sustav upravljanja s linearnim regulatorima i zanemarenjem dinamike prigušnih namota.

Za razliku od [25], u [26] se estimacija kuta rotora obavlja injektiranjem visokofrekvencijskog signala u rotorski namot sinkronog motora. Visokofrekvencijski harmonici se pojavljuju i u strujama statora pa se također pomoću *PLL-a* estimira kut rotora. Također, dana je analiza stabilnosti estimatora te je dana i eksperimentalna provjera unutar klasičnog *DTC* sustava upravljanja. Za realizaciju sustava upravljanja potrebno je uz statorski koristiti i rotorski napon.

3.3.6 Ostala istraživanja upravljanja sinkronim motorom

3.3.6.1 Upravljanje agregatom sinkroni motor- generator

U radu [27] je najprije opisana problematika elektroenergetskog sustava kod kojih proizvodnja energije velikim dijelom dolazi od obnovljivih izvora energije. Dinamika u proizvodnji obnovljivih izvora energije izrazito utječe na stabilnost mreže. Zbog toga se umjesto izravno na mrežu predlaže spajanje obnovljivog izvora na agregat koji se sastoji od sinkronog motora i sinkronog generatora. Spojem agregata na istu osovinu bi se povećala inercija, a samim tim bi se pozitivno utjecalo na stabilnost. Za održavanje stabilnosti agregata potrebno je upravljati kutovima opterećenja obaju strojeva. Izrađen je sustav upravljanja sinkronim motorom kojim se regulira radna snaga. Obavljeni su i eksperimentalni rezultati koji pokazuju povećanu stabilnost mreže pri korištenju ovog agregata.

3.3.6.2 Upravljanje koje razmatra efekt zasićenja

U literaturi [28] dano je kako se realizira upravljanje sinkronim motorom pri zasićenju. Odabirom optimalne kombinacije struja statorskog i rotorskog namota ostvaruje se princip maksimalnog momenta po amperu s obzirom na odabranu radnu točku. Prethodno se u obrađenim radnim točkama (metodom konačnih elemenata) proračunaju magnetski tokovi. Koristeći princip Lagrangeove funkcije, zadana je funkcija gubitaka u željezu i bakru te se

pomoću iste optimiraju vrijednosti pojedinih struja. Pri tome se zadaju i potrebna ograničenja za napon i moment. Obavljena je i eksperimentalna provjera koja potvrđuje analizu.

3.3.6.3 Upravljanje optimiranjem širinsko impulsne modulacije

U [29] dan je motorni pogon sinkronog stroja snage 23 MW. Na istom je izrađen sustav upravljanja koji uključuje i optimizaciju širinsko impulsne modulacije. Za sintezu upravljanja se koristi dinamički sustav koji uz statorski i rotorski uključuje i prigušni namot. Iz dinamičkog sustava se analitičkom obradom uspostave jednadžbe napona statora koje ovise samo o strujama statora. Mjerenjem valnih oblika se estimiraju pojedine harmoničke komponente struje. Tada se izračuna faktor distorzije pa se njegovim minimiziranjem dobije optimalni modulacijski uzorak. Sustav upravlja brzinom vrtnje te sadrži klasično vektorsko upravljanje s regulatorima struja statora i rotora. Eksperimentalno je pokazano da se optimiranjem modulacije smanjuju harmonici u statorskoj struji.

3.3.6.4 Istraživanja observera sinkronog stroja

Istovremeno s razvojem sustava upravljanja razvijaju se i metode estimacije odnosno observeri nemjerljivih stanja koji se često primjenjuju i za adaptaciju parametara.

Literatura [30] i [31] obuhvaća samo observere prigušnih namota pri radu sinkronog stroja u generatorskom režimu odnosno izravno spojenog na krutu mrežu.

3.4 Zaključak

Literatura [10-15] pokazuje da postojeće linearne metode upravljanja nisu dovoljno učinkovite u slučaju sinkronog stroja s uzbudnim i prigušnim namotima. Zbog složenosti modela sinkronog stroja pri dinamičkim opisima se često zanemaruje utjecaj prigušnog namota. Ponekad se utjecaji prigušnih struja estimiraju [9], ali estimacije nemaju zadovoljavajuće dokaze stabilnosti. Osim toga klasičnim metodama se ne može uspostaviti potpuno razdvajanje upravljanja tokom od upravljanja momentom.

Pri izradi nelinearnih sustava upravljanja [19], [21-23] obavljene su estimacije u prigušnim namotima. Međutim, pri izradi zakona upravljanja zadržan je princip klasičnog upravljanja prema kojem se struja statora u d osi poništava. Zbog toga je za upravljanje magnetskim tokom nužno koristiti i regulaciju u uzbudnom krugu.

Ako je u izradi zakona upravljanja uključena i dinamika u prigušnim namotima, sustav upravljanja postaje potpuniji i njegova performansa može pokazati prednosti pri zahtjevnim dinamikama. Zbog toga su u radu izrađeni observeri stanja sinkronog stroja koji se koriste u nelinearnom sustavu upravljanja. Metodom linearizacije povratnom vezom može se izraditi

sustav s neovisnim (razdvojenim) upravljanjem momentom i tokom. Za izradu sustava upravljanja tada nije potrebno upravljati uzbudnim sustavom. Istovremeno, cjelokupna dinamika sinkronog stroja je obuhvaćena, a realizirano je i potpuno razdvajanje upravljanja momentom i tokom.

Obavljena je usporedba novog sustava upravljanja s klasičnim linearnim sustavom upravljanja. Budući da je učinkovitost metode linearizacije povratnom vezom ovisna o poznavanju parametara stroja i momenta opterećenja, pri izradi novog upravljanja se nastojalo omogućiti i adaptaciju s obzirom na parametre stroja kao i na poremećaje.

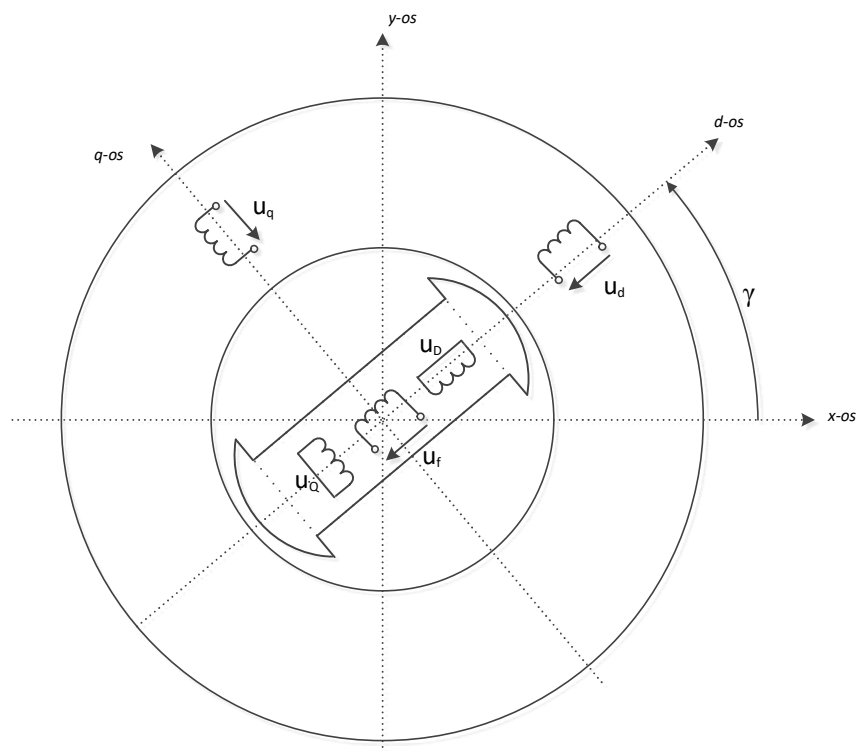
4 DETERMINISTIČKI OBSERVERI STANJA SINKRONOG STROJA

4.1 Uvod

Počevši od poznatog zapisa sinkronog stroja, u poglavlju su izvedeni izrazi za brojne observere. Najprije je izveden zapis sinkronog stroja sa strujama kao varijablama stanja. Iz njegovog zapisa izveden je observer stanja i dokazana je njegova stabilnost. Zatim je izveden zapis sinkronog stroja s tokovima prigušnog namota kao varijablama stanja. Iz njega su izvedeni izrazi za observer punog reda, za observere reduciranog reda te za observer s adaptacijom otpora statorskog i rotorskog namota. Za observer punog reda je izveden i dokaz osmotrivosti. U poglavlju je također obrađena i estimacija momenta tereta. U tu svrhu je dokazana osmotrivost proširenog dinamičkog sustava koji obuhvaća moment tereta te je pokazana osmotrivost i reduciranog linearnog sustava korištenog za estimaciju momenta tereta. Zatim su izvedeni izrazi triju observera momenta tereta: adaptacijski observer zasnovan na modelu, linearni Gopinathov observer te Luenbergerov reducirani observer.

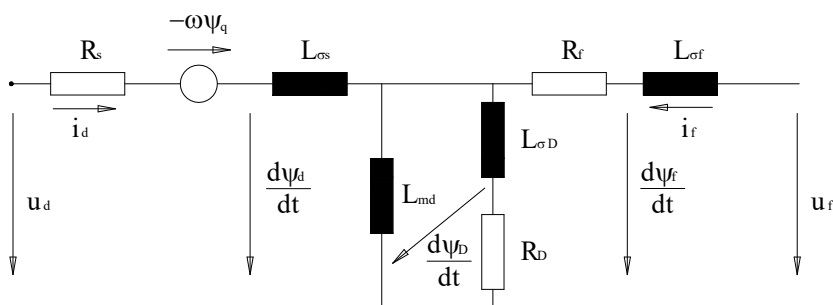
4.2 Klasični model sinkronog stroja

Na slici 4.1 je presjek pojednostavljenog sinkronog stroja s istaknutim polovima na rotoru.

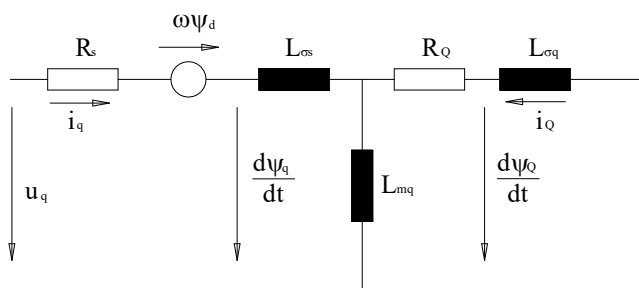


Slika 4.1 Presjek sinkronog stroja sa dq modelom namota

Za izradu modela potrebno je obaviti transformaciju [32] iz trofaznog u rotorski dq koordinatni sustav. Sinkroni stroj se sastoji od armaturnog namota, uzbuđnog namota na rotoru čija os magnetizacije definira direktnu, d os. Poprečna q os pomaknuta je 90° električnih u odnosu na d os. Na rotoru se nalazi i prigušni namot, koji se također modelira u dq osima. Klasični model sinkronog stroja [33] se temelji na dvoosnom modelu električnog stroja. Pri izvođenju izraza za međuinuktivitete [34], rasipno magnetsko polje između uzbuđnog i prigušnog namota se u klasičnom smislu zanemaruje. Zatim se može konstruirati nadomjesna shema u uzdužnoj d i poprečnoj q osi. Navedene električne sheme prikazane na slikama 4.2 i 4.3 su polazište za razmatranja o mogućnostima izrade determinističkih observera.



Slika 4.2 Nadomjesna shema sinkronog stroja u d osi



Slika 4.3 Nadomjesna shema sinkronog stroja u q osi

Za potpuni opis stroja, nadomjesnim shemama u d i q osima potrebno je dodati i jednadžbu gibanja. Dodavanjem jednadžbe gibanja model sinkronog stroja je:

$$\begin{bmatrix} \dot{\psi}_d \\ \dot{\psi}_f \\ \dot{\psi}_D \\ \dot{\psi}_q \\ \dot{\psi}_Q \\ \dot{\omega} \end{bmatrix} = \begin{bmatrix} \psi_q \omega - i_d R_s + u_d \\ -i_f R_f + u_f \\ -i_D R_D \\ -\psi_d \omega - i_q R_s + u_q \\ -i_Q R_Q \\ [(\psi_d i_q - \psi_q i_d) - M_t]/2H \end{bmatrix} \quad (4.1)$$

Varijable stanja su magnetski tokovi i brzina vrtnje stroja:

$\psi_d, \psi_f, \psi_D, \psi_q, \psi_Q$ magnetski tokovi,

ω brzina rotora,

u_d, u_q, u_f naponi na statoru i rotoru,

R_s, R_f, R_D, R_Q otpori namota,

i_d, i_f, i_D, i_q, i_Q struje namota,

M_t moment tereta,

H konstanta inercije.

4.3 Dinamički model sinkronog stroja sa strujama prigušnih namota

Izrada dinamičkog modela sinkronog stroja sa strujama prigušnih namota započinje s izrazom (4.1). Budući da su u (4.1) varijable stanja magnetski tokovi, potrebno ih je zamijeniti strujama.

Zbog toga se magnetski tokove izraze preko strujnih komponenti [35]:

$$\psi_d = L_{md} i_f + L_{md} i_D - L_d i_d \quad (4.2a)$$

$$\psi_f = -L_{md} i_d + L_{md} i_D + L_f i_f \quad (4.2b)$$

$$\psi_D = -L_{md} i_d + L_{md} i_f + L_D i_D \quad (4.2c)$$

$$\psi_q = L_{mq} i_Q - L_q i_q \quad (4.2d)$$

$$\psi_Q = -L_{mq} i_q + L_Q i_Q \quad (4.2e)$$

Dobije se sustav jednadžbi:

$$-L_d \frac{di_d}{dt} + L_{md} \frac{di_f}{dt} + L_{md} \frac{di_D}{dt} = (L_{mq} i_Q - L_q i_q) \omega - i_d R_s + u_d \quad (4.3a)$$

$$-L_{md} \frac{di_d}{dt} + L_{md} \frac{di_D}{dt} + L_f \frac{di_f}{dt} = -i_f R_f + u_f \quad (4.3b)$$

$$-L_{md} \frac{di_d}{dt} + L_D \frac{di_D}{dt} + L_{md} \frac{di_f}{dt} = -i_D R_D \quad (4.3c)$$

$$-L_q \frac{di_q}{dt} + L_{mq} \frac{di_Q}{dt} = -(-L_d i_d + L_{md} i_D + L_{md} i_f) \omega - i_q R_s + u_q \quad (4.3d)$$

$$-L_{mq} \frac{di_q}{dt} + L_Q \frac{di_Q}{dt} = -i_Q R_Q \quad (4.3e)$$

$$\frac{d\omega}{dt} = \{[(L_{md} i_f + L_{md} i_D - L_d i_d) i_q - (L_{mq} i_Q - L_q i_q) i_d - M_t]\} / 2H \quad (4.3f)$$

Ako se promotre jednađbe (4.3a), (4.3b), (4.3c) one su dinamički sustav triju dinamičkih stanja koji se može riješiti tako da svaka jednađba sadrži samo jedno dinamičko stanje.

Dobiju se jednađbe (4.4a), (4.4b) i (4.4c),

$$\begin{aligned} \frac{di_d}{dt} = & \frac{i_d(L_D L_f R_s - L_{md}^2 R_s) + i_q \omega (L_D L_f L_q - L_{md}^2 L_q) + i_Q \omega (-L_D L_f L_{mq} + L_{md}^2 L_{mq}) + i_f (-L_D L_{md} R_f + L_{md}^2 R_f)}{L_d L_D L_f - L_d L_{md}^2 - L_D L_{md}^2 - L_f L_{md}^2 + 2L_{md}^3} + \\ & \frac{i_D (-L_f L_{md} R_D + L_{md}^2 R_D) + u_d (-L_D L_f + L_{md}^2) + u_f (L_D L_{md} - L_{md}^2)}{L_d L_D L_f - L_d L_{md}^2 - L_D L_{md}^2 - L_f L_{md}^2 + 2L_{md}^3} \end{aligned} \quad (4.4a)$$

$$\begin{aligned} \frac{di_f}{dt} = & \frac{i_d (L_D L_{md} R_s - L_{md}^2 R_s) + i_q \omega (L_D L_{md} L_q - L_{md}^2 L_q) + i_Q \omega (-L_D L_{md} L_{mq} + L_{md}^2 L_{mq}) + i_f (-L_d L_D R_f + L_{md}^2 R_f)}{L_d L_D L_f - L_d L_{md}^2 - L_D L_{md}^2 - L_f L_{md}^2 + 2L_{md}^3} + \\ & \frac{i_D (L_d L_{md} R_D + L_{md}^2 R_D) + u_d (-L_D L_{md} + L_{md}^2) + u_f (L_d L_D - L_{md}^2)}{L_d L_D L_f - L_d L_{md}^2 - L_D L_{md}^2 - L_f L_{md}^2 + 2L_{md}^3} \end{aligned} \quad (4.4b)$$

$$\begin{aligned} \frac{di_D}{dt} = & \frac{i_d (L_f L_{md} R_s - L_{md}^2 R_s) + i_q \omega (L_f L_{md} L_q - L_{md}^2 L_q) + i_Q \omega (-L_f L_{md} L_{mq} + L_{md}^2 L_{mq}) + i_f (L_d L_{md} R_f - L_{md}^2 R_f)}{L_d L_D L_f - L_d L_{md}^2 - L_D L_{md}^2 - L_f L_{md}^2 + 2L_{md}^3} + \\ & \frac{i_D (-L_d L_f R_D + L_{md}^2 R_D) + u_d (-L_f L_{md} + L_{md}^2) + u_f (-L_d L_{md} + L_{md}^2)}{L_d L_D L_f - L_d L_{md}^2 - L_D L_{md}^2 - L_f L_{md}^2 + 2L_{md}^3} \end{aligned} \quad (4.4c)$$

Izrazi (4.3d), (4.3e) predstavljaju dinamički sustav dvaju stanja koji se također može riješiti tako da svaka jednađba sadrži samo jedno dinamičko stanje.

Dobiju se jednađbe (4.4d), (4.4e).

$$\frac{di_q}{dt} = \frac{-i_q L_Q R_s + i_d \omega L_d L_Q - i_f \omega L_{md} L_Q - i_D \omega L_{md} L_Q + i_Q L_{mq} R_Q + u_q L_Q}{L_{mq}^2 - L_Q L_Q} \quad (4.4d)$$

$$\frac{di_Q}{dt} = \frac{-i_q L_{mq} R_s + i_d \omega L_d L_{mq} - i_f \omega L_{md} L_{mq} - i_D \omega L_{md} L_{mq} + i_Q L_Q R_Q + u_q L_{mq}}{L_{mq}^2 - L_Q L_Q} \quad (4.4e)$$

Sustavu jednađbi (4.4a), (4.4b), (4.4c), (4.4d), (4.4e) se pridoda i sređena jednađba gibanja (4.4f).

$$\frac{d\omega}{dt} = [L_{md} i_D i_q + L_{md} i_f i_q - L_{mq} i_d i_Q - i_d i_q (L_{md} - L_{mq}) - M_t] / 2H \quad (4.4f)$$

Sređivanjem izraza dobije se zapis sinkronog stroja u sustavu sa strujama prigušnih namota (4.5).

$$\begin{bmatrix} \dot{i}_d \\ \dot{i}_f \\ \dot{i}_D \\ \dot{i}_q \\ \dot{i}_Q \\ \dot{\omega} \end{bmatrix} = \begin{bmatrix} a_1' i_d + a_2' i_q \omega + a_3' i_Q \omega + a_4' i_f + a_5' i_D + a_6' u_d + a_7' u_f \\ b_1' i_d + b_2' i_q \omega + b_3' i_Q \omega + b_4' i_f + b_5' i_D + b_6' u_d + b_7' u_f \\ c_1' i_d + c_2' i_q \omega + c_3' i_Q \omega + c_4' i_f + c_5' i_D + c_6' u_d + c_7' u_f \\ d_1' i_q + d_2' i_d \omega + d_3' i_f \omega + d_4' i_D \omega + d_5' i_Q + d_6' u_q \\ f_1' i_q + f_2' i_d \omega + f_3' i_f \omega + f_4' i_D \omega + f_5' i_Q + f_6' u_q \\ j_1' i_d i_q + j_2' i_f i_q + j_3' i_q i_D + j_4' i_d i_Q + j_5' M_T \end{bmatrix} \quad (4.5)$$

Koeficijenti a_1', a_2', \dots, j_5' su algebarski izrazi koji sadrže parametre stroja. Izrazi za svaki pojedini koeficijent je prikazan u Prilogu A.

4.4 Observeri punog reda sa strujama prigušnih namota

U nastavku su dana dva moguća observera punog reda.

Oba se odnose na izraz (4.5), s tim da su varijable koje je potrebno estimirati zapisane označene s $\hat{\cdot}$. Observer sadrži koeficijente pomoću kojih se ostvaruje konvergencija. Koeficijenti su:

- $k_{11}, k_{12}, k_{14}, k_{16}$ - u prvoj jednadžbi sustava
- $k_{21}, k_{22}, k_{24}, k_{26}$ - u drugoj jednadžbi sustava
- $k_{31}, k_{32}, k_{34}, k_{36}$ - u trećoj jednadžbi sustava
- $k_{41}, k_{42}, k_{44}, k_{46}$ - u četvrtoj jednadžbi sustava
- $k_{51}, k_{52}, k_{54}, k_{56}$ - u petoj jednadžbi sustava
- $k_{61}, k_{62}, k_{64}, k_{66}$ - u šestoj jednadžbi sustava

Prvi observer koristi mjerene veličine gdje god je to moguće pa na taj način smanjuje broj konvergencijskih koeficijenata:

$$\begin{bmatrix} \dot{\hat{i}}_d \\ \dot{\hat{i}}_f \\ \dot{\hat{i}}_D \\ \dot{\hat{i}}_q \\ \dot{\hat{i}}_Q \\ \dot{\hat{\omega}} \end{bmatrix} = \begin{bmatrix} a_1' \hat{i}_d + a_2' \hat{i}_q \omega + a_3' \hat{i}_Q \omega + a_4' i_f + a_5' \hat{i}_D + a_6' u_d + a_7' u_f \\ b_1' \hat{i}_d + b_2' \hat{i}_q \omega + b_3' \hat{i}_Q \omega + b_4' i_f + b_5' \hat{i}_D + b_6' u_d + b_7' u_f \\ c_1' \hat{i}_d + c_2' \hat{i}_q \omega + c_3' \hat{i}_Q \omega + c_4' i_f + c_5' \hat{i}_D + c_6' u_d + c_7' u_f \\ d_1' \hat{i}_q + d_2' \hat{i}_d \omega + d_3' i_f \omega + d_4' \hat{i}_D \omega + d_5' \hat{i}_Q + d_6' u_q \\ f_1' \hat{i}_q + f_2' \hat{i}_d \omega + f_3' i_f \omega + f_4' \hat{i}_D \omega + f_5' \hat{i}_Q + f_6' u_q \\ j_1' \hat{i}_d i_q + j_2' i_f i_q + j_3' i_q \hat{i}_D + j_4' \hat{i}_d i_Q + j_5' M_T \end{bmatrix} + \begin{bmatrix} k_{11}' e_1 + k_{12}' e_2 + k_{14}' e_4 + k_{16}' e_6 \\ k_{21}' e_1 + k_{22}' e_2 + k_{24}' e_4 + k_{26}' e_6 \\ k_{31}' e_1 + k_{32}' e_2 + k_{34}' e_4 + k_{36}' e_6 \\ k_{41}' e_1 + k_{42}' e_2 + k_{44}' e_4 + k_{46}' e_6 \\ k_{51}' e_1 + k_{52}' e_2 + k_{54}' e_4 + k_{56}' e_6 \\ k_{61}' e_1 + k_{62}' e_2 + k_{64}' e_4 + k_{66}' e_6 \end{bmatrix} \quad (4.6)$$

U drugome [36] se u izrazima svakog stanja koriste observirane vrijednosti.

$$\begin{bmatrix} \hat{i}_d \\ \hat{i}_f \\ \hat{i}_D \\ \hat{i}_q \\ \hat{i}_Q \\ \hat{\omega} \end{bmatrix} = \begin{bmatrix} a_1' \hat{i}_d + a_2' \hat{i}_q \hat{\omega} + a_3' \hat{i}_Q \hat{\omega} + a_4' \hat{i}_f + a_5' \hat{i}_D + a_6' u_d + a_7' u_f \\ b_1' \hat{i}_d + b_2' \hat{i}_q \hat{\omega} + b_3' \hat{i}_Q \hat{\omega} + b_4' \hat{i}_f + b_5' \hat{i}_D + b_6' u_d + b_7' u_f \\ c_1' \hat{i}_d + c_2' \hat{i}_q \hat{\omega} + c_3' \hat{i}_Q \hat{\omega} + c_4' \hat{i}_f + c_5' \hat{i}_D + c_6' u_d + c_7' u_f \\ d_1' \hat{i}_q + d_2' \hat{i}_d \hat{\omega} + d_3' \hat{i}_f \hat{\omega} + d_4' \hat{i}_D \hat{\omega} + d_5' \hat{i}_Q + d_6' u_q \\ f_1' \hat{i}_q + f_2' \hat{i}_d \hat{\omega} + f_3' \hat{i}_f \hat{\omega} + f_4' \hat{i}_D \hat{\omega} + f_5' \hat{i}_Q + f_6' u_q \\ j_1' \hat{i}_d \hat{i}_q + j_2' \hat{i}_f \hat{i}_q + j_3' \hat{i}_q \hat{i}_D + j_4' \hat{i}_d \hat{i}_Q + j_5' M_T \end{bmatrix} + \begin{bmatrix} k_{11}' e_1 + k_{12}' e_2 + k_{14}' e_4 + k_{16}' e_6 \\ k_{21}' e_1 + k_{22}' e_2 + k_{24}' e_4 + k_{26}' e_6 \\ k_{31}' e_1 + k_{32}' e_2 + k_{34}' e_4 + k_{36}' e_6 \\ k_{41}' e_1 + k_{42}' e_2 + k_{44}' e_4 + k_{46}' e_6 \\ k_{51}' e_1 + k_{52}' e_2 + k_{54}' e_4 + k_{56}' e_6 \\ k_{61}' e_1 + k_{62}' e_2 + k_{64}' e_4 + k_{66}' e_6 \end{bmatrix} \quad (4.7)$$

4.4.1 Stabilnost observera punog reda sa strujama prigušnih namota

Za obavljanje analize stabilnosti potrebno je promotriti dinamiku pogreški. Dinamika pogreški observera iz (4.7) se postiže pomoću razlike (4.5)-(4.7) te se može zapisati u obliku prikazanom u (4.8a).

$$\begin{bmatrix} \dot{e}_1 \\ \dot{e}_2 \\ \dot{e}_3 \\ \dot{e}_4 \\ \dot{e}_5 \\ \dot{e}_6 \end{bmatrix} = \begin{bmatrix} a_1' e_1 + a_4' e_2 + a_5' e_3 - k_{11}' e_1 - k_{12}' e_2 - k_{14}' e_4 - k_{16}' e_6 \\ b_1' e_1 + b_4' e_2 + b_5' e_3 - k_{21}' e_1 - k_{22}' e_2 - k_{24}' e_4 - k_{26}' e_6 \\ c_1' e_1 + c_4' e_2 + c_5' e_3 - k_{31}' e_1 - k_{32}' e_2 - k_{34}' e_4 - k_{36}' e_6 \\ d_1' e_4 + d_5' e_5 - k_{41}' e_1 - k_{42}' e_2 - k_{44}' e_4 - k_{46}' e_6 \\ f_1' e_4 + f_5' e_5 - k_{51}' e_1 - k_{52}' e_2 - k_{54}' e_4 - k_{56}' e_6 \\ j_1'(e_4 i_d + e_1 \hat{i}_q) + j_2'(e_4 i_f + e_2 \hat{i}_q) + j_3'(e_4 \hat{i}_D + e_3 i_q) + j_4'(e_5 i_d + e_1 \hat{i}_Q) \end{bmatrix} + \begin{bmatrix} a_3'(e_6 \hat{i}_Q + e_5 \omega) + a_2'(e_6 i_q + e_4 \hat{\omega}) \\ b_3'(e_6 \hat{i}_Q + e_5 \omega) + b_2'(e_6 i_q + e_4 \hat{\omega}) \\ c_3'(e_6 \hat{i}_Q + e_5 \omega) + c_2'(e_6 i_q + e_4 \hat{\omega}) \\ d_4'(e_6 \hat{i}_D + e_3 \omega) + d_2'(e_6 i_d + e_1 \hat{\omega}) + d_3'(e_6 i_f + e_2 \hat{\omega}) \\ f_4'(e_6 \hat{i}_D + e_3 \omega) + f_2'(e_6 i_d + e_1 \hat{\omega}) + f_3'(e_6 i_f + e_2 \hat{\omega}) \\ -k_{61}' e_1 - k_{62}' e_2 - k_{64}' e_4 - k_{66}' e_6 \end{bmatrix} \quad (4.8a)$$

Dinamika pogreški observera iz (4.6) se postiže pomoću razlike (4.5)-(4.6):

$$\begin{bmatrix} \dot{e}_1 \\ \dot{e}_2 \\ \dot{e}_3 \\ \dot{e}_4 \\ \dot{e}_5 \\ \dot{e}_6 \end{bmatrix} = \begin{bmatrix} a_3' \omega e_5 + a_5' e_3 - k_{11}' e_1 - k_{12}' e_2 - k_{14}' e_4 - k_{16}' e_6 \\ b_3' \omega e_5 + b_5' e_3 - k_{21}' e_1 - k_{22}' e_2 - k_{24}' e_4 - k_{26}' e_6 \\ c_3' \omega e_5 + c_5' e_3 - k_{31}' e_1 - k_{32}' e_2 - k_{34}' e_4 - k_{36}' e_6 \\ d_4' \omega e_3 + d_5' e_5 - k_{41}' e_1 - k_{42}' e_2 - k_{44}' e_4 - k_{46}' e_6 \\ f_4' \omega e_3 + f_5' e_5 - k_{51}' e_1 - k_{52}' e_2 - k_{54}' e_4 - k_{56}' e_6 \\ j_3' i_q e_3 + j_4' i_d e_5 - k_{61}' e_1 - k_{62}' e_2 - k_{64}' e_4 - k_{66}' e_6 \end{bmatrix} \quad (4.8b)$$

Pogreške estimacije stanja su za oba observera dana s:

$$e_1 = i_d - \widehat{i}_d; e_2 = i_f - \widehat{i}_f; e_3 = i_D - \widehat{i}_D; e_4 = i_q - \widehat{i}_q; e_5 = i_Q - \widehat{i}_Q; e_6 = \omega - \widehat{\omega} \quad (4.8c)$$

U nastavku će biti dokazana stabilnost za observer iz izraza (4.7).

4.4.2 Dokaz stabilnosti observera punog reda sa strujama prigušnog namota

Budući da su struje u prigušnim namotima nemjerljive veličine, Lyapunovljeva funkcija treba sadržavati član e_3e_5 . Zbog toga funkcija sadrži kvadrat njihovog zbroja te koeficijente k_{xy} koji će se koristiti za postizanje konvergencije. Odabrana je Lyapunovljeva funkcija:

$$V_1 = \frac{e_1^2}{2} + \frac{e_2^2}{2} + \frac{e_4^2}{2} + \frac{e_5^2}{2} + \frac{1}{2}(k_1'e_3 + k_2'e_5)^2 + k_3'^2 e_3^2 + k_4'^2 e_5^2 \quad (4.9)$$

tako da je funkcija $V_1 > 0$.

Deriviranjem (4.9) te primjenom izraza (4.8a), dobije se potpuni izraz derivacije

Lyapunovljeve funkcije kao:

$$\begin{aligned} \frac{dV}{dt} = & a_1'e_1^2 + b_4'e_2^2 + d_1'e_4^2 + 2c_5'e_3^2k_1'^2 - e_1^2k_{11}' + 2e_5^2f_5'k_2'^2 + e_1e_2[a_4' + b_1' - k_{12}' - k_{21}'] - \\ & e_2^2k_{22}' + 2c_5'e_3^2k_3'^2 + 2f_5'e_5^2k_4'^2 - e_4^2k_{44}' + e_3e_6[i_qj_3' + 2c_2'i_qk_1'^2 + 2c_3'\widehat{i}_Qk_1'^2 + 2f_2'i_dk_1'k_2' + \\ & 2f_4'\widehat{i}_Dk_1'k_2' + 2f_3'i_fk_1'k_2' + 2c_2'i_qk_3'^2 + 2c_3'\widehat{i}_Qk_3'^2 - 2k_1'^2k_{36}' - 2k_3'^2k_{36}' - 2k_1'k_2'k_{56}'] + \\ & e_5e_6[i_dj_4' + 2c_2'i_qk_1'k_2' + 2c_3'\widehat{i}_Qk_1'k_2' + 2f_2'i_dk_2'^2 + 2f_4'\widehat{i}_Dk_2'^2 + 2f_3'i_fk_2'^2 - 2k_1'k_2'k_{36}' + \\ & 2f_2'i_dk_4'^2 + 2f_4'\widehat{i}_Dk_4'^2 + 2f_3'i_fk_4'^2 - 2k_{56}'k_2'^2 - 2k_{56}'k_4'^2] + e_1e_6[a_2'i_q + a_3'\widehat{i}_Q + \widehat{i}_Qj_1' + j_4'\widehat{i}_Q - \\ & k_{16}' - k_{61}'] + e_2e_6[b_2'i_q + b_3'\widehat{i}_Q + \widehat{i}_Qj_2' + j_4'\widehat{i}_Q - k_{26}' - k_{62}'] + e_4e_6[d_2'i_d + d_4'\widehat{i}_D + d_3'i_f + \\ & j_1'i_d + j_2'i_f + j_3'\widehat{i}_D - k_{46}' - k_{64}'] - e_6^2k_{66}' + 2c_3'e_5^2k_1'k_2'\omega + 2f_4'e_3^2k_1'k_2'\omega + e_3e_5[2c_5'k_1'k_2' + \\ & 2f_5'k_1'k_2' + 2c_3'k_3'^2\omega + 2f_4'k_2'^2\omega + 2c_3'k_3'^2\omega + 2f_4'k_4'^2\omega] + e_1e_4[-k_{14}' - k_{41}' + a_2'\widehat{\omega} + d_2'\widehat{\omega}] + \\ & e_2e_4[-k_{24}' - k_{42}' + b_2'\widehat{\omega} + d_3'\widehat{\omega}] + e_4e_5[d_5' + 2f_1'k_2'^2 - 2k_{34}'k_1'k_2' + 2f_1'k_4'^2 - 2k_{54}'k_2'^2 - \\ & 2k_{54}'k_4'^2 + 2c_2'k_1'k_2'\widehat{\omega}] + e_1e_3[a_5' + 2c_1'k_1'^2 + 2c_1'k_3'^2 - 2k_{31}'k_1'^2 - 2k_{31}'k_3'^2 - 2k_1'k_2'k_{51}' + \\ & 2f_2'k_1'k_2'\widehat{\omega}] + e_2e_3[b_5' + 2c_4'k_1'^2 + 2c_4'k_3'^2 - 2k_{32}'k_1'^2 - 2k_{32}'k_3'^2 - 2k_1'k_2'k_{52}' + 2f_3'k_1'k_2'\widehat{\omega}] + \\ & e_3e_4[2f_1'k_1'k_2' - 2k_{34}'k_1'^2 - 2k_{34}'k_3'^2 - 2k_1'k_2'k_{54}' + d_4'\omega + 2c_2'k_1'^2\widehat{\omega} + 2c_2'k_3'^2\widehat{\omega}] + \\ & e_1e_5[2c_1'k_1'k_2' - 2k_{31}'k_1'k_2' - 2k_{51}'k_2'^2 - 2a_3'\omega + 2f_2'k_2'^2\widehat{\omega} + 2f_2'k_4'^2\widehat{\omega}] + e_2e_5[2c_4'k_1'k_2' - \\ & 2k_{32}'k_1'k_2' - 2k_{52}'k_2'^2 - 2k_{52}'k_4'^2 + b_3'\omega + 2f_3'k_2'^2\widehat{\omega} + 2f_3'k_4'^2\widehat{\omega}] \quad (4.10) \end{aligned}$$

Budući da za dokaz stabilnosti izraz (4.10) treba biti manji od nula, najprije se raspoloživim konvergencijskim koeficijentima obavi poništavanje dinamičkih članova $e_x e_y$ ($x \neq y$) iz (4.10)

- iz izraza uz e_1e_2 :

$$a_4' + b_1' - k_{12}' - k_{21}' = 0 \quad (4.11)$$

dobije se izraz za k_{12}'

$$k_{12}' = -(-a_4' - b_1' + k_{21}')$$

- iz izraza uz e_3e_6 :

$$i_q j_3' + 2c_2' i_q k_1'^2 + 2c_3' \widehat{i}_Q k_1'^2 + 2f_2' i_d k_1' k_2' + 2f_4' \widehat{i}_D k_1' k_2' + 2f_3' i_f k_1' k_2' + 2c_2' i_q k_3'^2 + 2c_3' \widehat{i}_Q k_3'^2 - 2k_1'^2 k_{36}' - 2k_3'^2 k_{36}' - 2k_1' k_2' k_{56}' = 0 \quad (4.12)$$

dobije se izraz za k_{36}'

$$k_{36}' = \frac{-i_q j_3' - 2c_2' i_q k_1'^2 - 2c_3' \widehat{i}_Q k_1'^2 - 2f_2' i_d k_1' k_2' - 2f_4' \widehat{i}_D k_1' k_2'}{-2(k_1'^2 + k_3'^2)} + \frac{-2f_3' i_f k_1' k_2' - 2c_2' i_q k_3'^2 - 2c_3' \widehat{i}_Q k_3'^2 + 2k_1' k_2' k_{56}'}{-2(k_1'^2 + k_3'^2)}$$

- iz izraza uz e_5e_6 :

$$i_d j_4' + 2c_2' i_q k_1' k_2' + 2c_3' \widehat{i}_Q k_1' k_2' + 2f_2' i_d k_2'^2 + 2f_4' \widehat{i}_D k_2'^2 + 2f_3' i_f k_2'^2 - 2k_1' k_2' k_{36}' + 2f_2' i_d k_4'^2 + 2f_4' \widehat{i}_D k_4'^2 + 2f_3' i_f k_4'^2 - 2k_{56}' k_2'^2 - 2k_{56}' k_4'^2 = 0 \quad (4.13)$$

dobije se izraz za k_{56}'

$$k_{56}' = \frac{-i_d j_4' - 2c_2' i_q k_1' k_2' - 2c_3' \widehat{i}_Q k_1' k_2' - 2f_2' i_d k_2'^2 - 2f_4' \widehat{i}_D k_2'^2}{-2(k_2'^2 + k_4'^2)} + \frac{-2f_3' i_f k_2'^2 - 2f_2' i_d k_4'^2 - 2f_4' \widehat{i}_D k_4'^2 - 2f_3' i_f k_4'^2 + 2k_1' k_2' k_{36}'}{-2(k_2'^2 + k_4'^2)}$$

- iz izraza uz e_1e_6 :

$$a_2' i_q + a_3' \widehat{i}_Q + \widehat{i}_q j_1' + j_4' \widehat{i}_Q - k_{16}' - k_{61}' = 0 \quad (4.14)$$

dobije se izraz za k_{16}'

$$k_{16}' = -(-a_2' i_q - a_3' \widehat{i}_Q - j_1' \widehat{i}_q - j_4' \widehat{i}_Q + k_{61}')$$

- iz izraza uz e_2e_6 :

$$b_2' i_q + b_3' \widehat{i}_Q + \widehat{i}_q j_2' + j_4' \widehat{i}_Q - k_{26}' - k_{62}' = 0 \quad (4.15)$$

dobije se izraz za k_{26}'

$$k_{26}' = -(-b_2' i_q - b_3' \widehat{i}_Q - j_2' \widehat{i}_q + k_{62}')$$

- iz izraza uz e_4e_6 :

$$d_2' i_d + d_4' \widehat{i}_D + d_3' i_f + j_1' i_d + j_2' i_f + j_3' \widehat{i}_D - k_{46}' - k_{64}' = 0 \quad (4.16)$$

dobije se izraz za k_{46}'

$$k_{46}' = -(-d_2' i_d - d_4' \widehat{i}_D - d_3' i_f - j_1' i_d - j_2' i_f - j_3' \widehat{i}_D + k_{64}')$$

- iz izraza uz e_1e_4 :

$$-k_{14}' - k_{41}' + a_2' \widehat{\omega} + d_2' \widehat{\omega} = 0 \quad (4.17)$$

dobije se izraz za k'_{14}

$$k'_{14} = -(k'_{41} - a'_2 \hat{\omega} - d'_2 \hat{\omega})$$

- iz izraza uz $e_2 e_4$:

$$-k'_{24} - k'_{42} + b'_2 \hat{\omega} + d'_3 \hat{\omega} = 0 \quad (4.18)$$

dobije se izraz za k'_{24}

$$k'_{24} = -(k'_{42} - b'_2 \hat{\omega} - d'_3 \hat{\omega})$$

- iz izraza uz $e_4 e_5$:

$$d'_5 + 2f'_1 k'^2_2 - 2k'_{34} k'_1 k'_2 + 2f'_1 k'^2_4 - 2k'_{54} k'^2_2 - 2k'_{54} k'^2_4 + 2c'_2 k'_1 k'_2 \hat{\omega} = 0 \quad (4.19)$$

dobije se izraz za k'_{54}

$$k'_{54} = \frac{-d'_5 - 2f'_1 k'^2_2 + 2k'_1 k'_2 k'_{34} - 2f'_1 k'^2_4 - 2c'_2 k'_1 k'_2 \hat{\omega}}{-2(k'^2_2 + k'^2_4)}$$

- iz izraza uz $e_1 e_3$:

$$a'_5 + 2c'_1 k'^2_1 + 2c'_1 k'^2_3 - 2k'_{31} k'^2_1 - 2k'_{31} k'^2_3 - 2k'_1 k'_2 k'_{51} + 2f'_2 k'_1 k'_2 \hat{\omega} = 0 \quad (4.20)$$

dobije se izraz za k'_{31}

$$k'_{31} = \frac{-a'_5 - 2c'_1 k'^2_1 - 2c'_1 k'^2_3 + 2k'_1 k'_2 k'_{51} - 2f'_2 k'_1 k'_2 \hat{\omega}}{-2(k'^2_1 + k'^2_3)}$$

- iz izraza uz $e_2 e_3$:

$$b'_5 + 2c'_4 k'^2_1 + 2c'_4 k'^2_3 - 2k'_{32} k'^2_1 - 2k'_{32} k'^2_3 - 2k'_1 k'_2 k'_{52} + 2f'_3 k'_1 k'_2 \hat{\omega} = 0 \quad (4.21)$$

dobije se izraz za k'_{32}

$$k'_{32} = \frac{-b'_5 - 2c'_4 k'^2_1 - 2c'_4 k'^2_3 + 2k'_1 k'_2 k'_{52} - 2f'_3 k'_1 k'_2 \hat{\omega}}{-2(k'^2_1 + k'^2_3)}$$

- iz izraza uz $e_3 e_4$:

$$2f'_1 k'_1 k'_2 - 2k'_{34} k'^2_1 - 2k'_{34} k'^2_3 - 2k'_1 k'_2 k'_{54} + d'_4 \omega + 2c'_2 k'^2_1 \hat{\omega} + 2c'_2 k'^2_3 \hat{\omega} = 0 \quad (4.22)$$

dobije se izraz za k'_{34}

$$k'_{34} = \frac{-2f'_1 k'_1 k'_2 + 2k'_1 k'_2 k'_{54} - d'_4 \omega - 2c'_2 k'^2_1 \hat{\omega} - 2c'_2 k'^2_3 \hat{\omega}}{-2(k'^2_1 + k'^2_3)}$$

- iz izraza uz $e_1 e_5$:

$$2c'_1 k'_1 k'_2 - 2k'_{31} k'_1 k'_2 - 2k'_{51} k'^2_2 - 2a'_3 \omega + 2f'_2 k'^2_2 \hat{\omega} + 2f'_2 k'^2_4 \hat{\omega} = 0 \quad (4.23)$$

dobije se izraz za k'_{51}

$$k'_{51} = \frac{-2c'_1 k'_1 k'_2 + 2k'_1 k'_2 k'_{31} - a'_3 \omega - 2f'_2 k'^2_2 \hat{\omega} - 2f'_2 k'^2_4 \hat{\omega}}{-2(k'^2_2 + k'^2_4)}$$

- iz izraza uz $e_2 e_5$:

$$2c_4'k_1'k_2' - 2k_{32}'k_1'k_2' - 2k_{52}'k_2'^2 - 2k_{52}'k_4'^2 + b_3'\omega + 2f_3'k_2'^2\hat{\omega} + 2f_3'k_4'^2\hat{\omega} = 0 \quad (4.24)$$

dobije se izraz za k_{52}'

$$k_{52}' = \frac{-2c_4'k_1'k_2' + 2k_1'k_2'k_{32}' - b_3'\omega - 2f_3'k_2'^2\hat{\omega} - 2f_3'k_4'^2\hat{\omega}}{-2(k_2'^2 + k_4'^2)}$$

Dinamika pogreški stanja nemjerenih veličina se također može učiniti konvergentnom uz sljedeće uvjete:

1. izraz uz e_3e_5 je potrebno poništiti

$$2(k_1'^2 + k_3'^2)c_3'\omega + 2(k_2'^2 + k_4'^2)f_4'\omega + 2k_1'k_2'c_5' + 2k_1'k_2'f_5' = 0 \quad (4.25a)$$

2. izrazi uz e_3^2, e_5^2 trebaju biti manji od nule

$$2.1. (k_1'^2 + k_3'^2)c_5' + k_1'k_2'f_4'\omega < 0 \quad (4.25b)$$

$$2.2. (k_2'^2 + k_4'^2)f_5' + k_1'k_2'c_3'\omega < 0 \quad (4.25c)$$

Koristi se činjenica da je kod sinkronog stroja, prema prilogu A:

$$c_5' < 0, f_5' < 0$$

Budući da su sljedeći parametri različitih predznaka, prema prilogu A:

$$c_3' < 0, f_4' > 0$$

ovisno o predznaku brzine rotora, rješenje je potrebno potražiti u sljedećim koracima:

- a. konvergenijske faktore k_1', k_2' zadati pozitivnih predznaka: $k_1' > 0, k_2' > 0$
- b. brzina rotora (ω) veća od nule
 - b.1. nejednadžba iz uvjeta 2.2 je zadovoljena
 - b.2. da bi se zadovoljila nejednadžba iz uvjeta 2.1, $k_3'^2$ je potrebno odabrati tako da je

$$k_3'^2 > -\frac{k_1'k_2'f_4'\omega}{c_5'} - k_1'^2 \quad (4.26a)$$

- b.3. zatim se pomoću $k_4'^2$ zadovolji jednadžba iz uvjeta 1.

$$k_4'^2 = -\frac{1}{f_4'\omega} [(k_1'^2 + k_3'^2)c_3'\omega + k_2'^2f_4'\omega + k_1'k_2'c_5' + k_1'k_2'f_5']$$

- c. brzina rotora (ω) manja od nule

- c.1. nejednadžba iz uvjeta 2.1 je zadovoljena
- c.2. da bi se zadovoljila nejednadžba iz uvjeta 2.2, $k_4'^2$ je potrebno odabrati tako da je

$$k_4'^2 > -\frac{k_1'k_2'c_3'\omega}{f_5'} - k_2'^2 \quad (4.26b)$$

- c.3. zatim se pomoću $k_3'^2$ zadovolji jednadžba iz uvjeta 1.

$$k_3'^2 = -\frac{1}{c_3'\omega} [(k_2'^2 + k_4'^2)f_4'\omega + k_1'^2c_3'\omega + k_1'k_2'c_5' + k_1'k_2'f_5']$$

d. neovisno o brzini rotora potrebno je odrediti preostale konvergencijske koeficijente.

$$k'_{11} > a'_1, k'_{22} > b'_4, k'_{44} > d'_1, k'_{66} > 0 \quad (4.26c)$$

$$k'_{21} = k'_{41} = k'_{42} = k'_{61} = k'_{62} = k'_{64} = 0 \quad (4.26d)$$

Prema prethodnim točkama obavljena su poništavanja svih izraza uz $e_x e_y$ kada je $x \neq y$. Također su zadovoljeni i uvjeti iz (4.26a), (4.26b). Zbog toga se derivacija Lyapunovljeve funkcije (4.9) može zapisati:

$$\dot{V}_1 = a'_1 e_1^2 - k'_{11} e_1^2 + b'_4 e_2^2 - k'_{22} e_2^2 + d'_1 e_4^2 - k'_{44} e_4^2 - k'_{66} e_6^2$$

Uvrštavanjem koeficijenata prema (4.26c), evidentno je da je prema Lyapunovljevoj izravnoj metodi dokazana stabilnost observera u cijelom prostoru stanja osim u točki $\omega = 0$ u kojoj se uvjet 1 ne može potvrditi.

Pri dokazivanju stabilnosti observera iz izraza (4.6), uočljivo je da je zbog korištenja mjerenih veličina, dinamika pogreški (4.8b) reducirana. Zbog toga konvergencijske koeficijente $k'_{12}, k'_{21}, k'_{14}, k'_{41}, k'_{16}, k'_{61}, k'_{26}, k'_{62}, k'_{24}, k'_{42}, k'_{46}, k'_{64}$ za observer (4.6) nije potrebno koristiti, odnosno mogu se postaviti na nulu. Izračun ostalih konvergencijskih koeficijenata je identičan izrazima prethodno danim za observer (4.7).

4.5 Dinamički sustav sinkronog stroja s tokovima prigušnog namota

Prethodno opisani observer sa strujama prigušnog namota je složeno rješenje. Konvergenciju observera u točki $\omega = 0$ nije moguće dokazati. Glavna namjena observera je uspostavljanje sustava upravljanja metodom linearizacije u povratnoj vezi. Jedna od poteškoća kod linearizacije povratnom vezom je ovisnost o poznavanju parametra stroja. Ako parametri stroja nisu dovoljno precizni, sustav se ne može u potpunosti linearizirati. U tom slučaju će učinkovitost upravljanja biti smanjena. Mogućnosti adaptacije bilo kojeg parametra stroja je navedenim observerom vrlo teško za ostvariti. Zbog svih navedenih razloga pronađen je observer s prigušnim tokovima [37] kao varijablama stanja. U nastavku je pokazano da je takav observer jednostavniji te da se može koristiti i u adaptacijske svrhe. Najprije je obavljen zapis dinamičkog sustava s magnetskim tokovima prigušnog namota kao varijablama stanja.

Iz (4.2a) i (4.2c), eliminacijom struje i_D može se dobiti izraz za tok ψ_d :

$$\psi_d = \frac{-i_d L_d L_D + i_d L_m d^2 + i_f L_D L_m d - i_f L_m d^2 + L_m d \psi_D}{L_D} \quad (4.27a)$$

Zatim se iz (4.2b) i (4.2c), eliminacijom struje i_D može se dobiti izraz za tok ψ_f :

$$\psi_f = \frac{i_f L_f L_D - i_d L_D L_m d + i_d L_m d^2 - i_f L_m d^2 + L_m d \psi_D}{L_D} \quad (4.27b)$$

Iz (4.2d) i (4.2e), eliminacijom struje i_Q može se dobiti izraz za tok ψ_q :

$$\psi_q = \frac{i_q L_m q^2 - i_q L_q L_Q + L_m q \psi_Q}{L_Q} \quad (4.27c)$$

Iz (5.2a) se izrazi i_D :

$$i_D = \frac{i_d L_d - i_f L_{md} + \psi_d}{L_{md}} \quad (4.28a)$$

Iz (5.2d) se izrazi i_Q :

$$i_Q = \frac{i_q L_q + \psi_q}{L_{mq}} \quad (4.28b)$$

U sustav (4.1) se najprije uvrste izrazi za i_D (4.28a), i_Q (4.28b) te se dobije sustav:

$$\begin{bmatrix} \dot{\psi}_d \\ \dot{\psi}_f \\ \dot{\psi}_D \\ \dot{\psi}_q \\ \dot{\psi}_Q \\ \dot{\omega} \end{bmatrix} = \begin{bmatrix} \psi_q \omega - i_d R_s + u_d \\ -i_f R_f + u_f \\ \frac{-i_f L_{md} R_D + i_d L_d R_D + \psi_d R_D}{L_{md}} \\ -\psi_d \omega - i_q R_s + u_q \\ \frac{i_q L_q R_Q + \psi_q R_Q}{L_{mq}} \\ [(\psi_d i_q - \psi_q i_d) - M_t] / 2H \end{bmatrix} \quad (4.29)$$

Zatim se u sustav (4.29) uvrste izrazi za magnetske tokove (4.27) te se dobije:

$$\begin{aligned} \frac{1}{L_D} \left(-L_d L_D \frac{di_d}{dt} + L_{md}^2 \frac{di_d}{dt} + L_D L_{md} \frac{di_f}{dt} - L_{md}^2 \frac{di_f}{dt} + L_{md} \frac{d\psi_D}{dt} \right) &= \\ &= \frac{\omega}{L_Q} (i_q L_{mq}^2 - i_q L_q L_Q + L_{mq} \psi_Q) - i_d R_s + u_d \end{aligned} \quad (4.30a)$$

$$\frac{1}{L_D} \left(-L_D L_{md} \frac{di_d}{dt} + L_{md}^2 \frac{di_d}{dt} + L_D L_f \frac{di_f}{dt} - L_{md}^2 \frac{di_f}{dt} + L_{md} \frac{d\psi_D}{dt} \right) = -i_f R_f + u_f \quad (4.30b)$$

$$\frac{d\psi_D}{dt} = i_f R_D - \frac{1}{L_{md}} (i_d L_d R_D) - \frac{R_D}{L_D L_{md}} (-i_d L_d L_D + i_f L_D L_{md} + i_d L_{md}^2 - i_f L_{md}^2 + L_{md} \psi_D) \quad (4.30c)$$

$$\begin{aligned} \frac{1}{L_Q} \left(-L_{mq}^2 \frac{di_q}{dt} + L_q L_Q \frac{di_q}{dt} + L_{mq} \frac{d\psi_Q}{dt} \right) &= \\ &= -\frac{\omega}{L_D} (-i_d L_d L_D + i_f L_D L_{md} + i_d L_{md}^2 - i_f L_{md}^2 + L_{md} \psi_D) - i_q R_s + u_q \end{aligned} \quad (4.30d)$$

$$\frac{d\psi_Q}{dt} = -\frac{1}{L_{mq}} (i_q L_q R_Q) - \frac{R_Q}{L_Q L_{mq}} (i_q L_{mq}^2 - i_q L_q L_Q + L_{mq} \psi_Q) \quad (4.30e)$$

$$\begin{aligned} \frac{d\omega}{dt} &= -\frac{M_t}{2H} + \frac{i_q}{2HL_D} (-i_d L_d L_D + i_f L_D L_{md} + i_d L_{md}^2 - i_f L_{md}^2 + L_{md} \psi_D) - \\ &\quad - \frac{i_d}{2HL_Q} (i_q L_{mq}^2 - i_q L_q L_Q + L_{mq} \psi_Q) \end{aligned} \quad (4.30f)$$

Iz prve tri jednadžbe (4.30a), (4.30b), (4.30c) se može urediti dinamički sustav sa stanjima i_d , i_f , ψ_D :

$$\begin{aligned}
\frac{di_d}{dt} = & \frac{i_d(L_f L_{md}^2 L_Q R_D - L_{md}^3 L_Q R_D - L_D^2 L_f L_Q R_s + L_D L_{md}^2 L_Q R_s)}{L_D L_Q (-L_d L_D L_f + L_d L_{md}^2 + L_D L_{md}^2 + L_f L_{md}^2 - 2L_{md}^3)} \\
& + \frac{i_f(-L_f L_{md}^2 L_Q R_D + L_{md}^3 L_Q R_D + L_D^2 L_{md} L_Q R_f - L_D L_{md}^2 L_Q R_f)}{L_D L_Q (-L_d L_D L_f + L_d L_{md}^2 + L_D L_{md}^2 + L_f L_{md}^2 - 2L_{md}^3)} \\
& + \frac{i_q \omega (L_D^2 L_f L_{mq}^2 - L_D L_{md}^2 L_{mq}^2 - L_D^2 L_f L_q L_Q + L_D L_{md}^2 L_q L_Q)}{L_D L_Q (-L_d L_D L_f + L_d L_{md}^2 + L_D L_{md}^2 + L_f L_{md}^2 - 2L_{md}^3)} \\
& + \frac{\psi_D (L_f L_{md} L_Q R_D - L_{md}^2 L_Q R_D) + \psi_Q \omega (L_D^2 L_f L_{mq} - L_D L_{md}^2 L_{mq})}{L_D L_Q (-L_d L_D L_f + L_d L_{md}^2 + L_D L_{md}^2 + L_f L_{md}^2 - 2L_{md}^3)} \\
& + \frac{u_d (L_D^2 L_f L_Q - L_D L_{md}^2 L_Q) + u_q (-L_D^2 L_{md} L_Q + L_D L_{md}^2 L_Q)}{L_D L_Q (-L_d L_D L_f + L_d L_{md}^2 + L_D L_{md}^2 + L_f L_{md}^2 - 2L_{md}^3)}
\end{aligned} \tag{4.31a}$$

$$\begin{aligned}
\frac{di_f}{dt} = & \frac{i_d(-L_d L_{md}^2 L_Q R_D + L_{md}^3 L_Q R_D - L_D^2 L_{md} L_Q R_s + L_D L_{md}^2 L_Q R_s)}{L_D L_Q (-L_d L_D L_f + L_d L_{md}^2 + L_D L_{md}^2 + L_f L_{md}^2 - 2L_{md}^3)} \\
& + \frac{i_f(L_d L_{md}^2 L_Q R_D - L_{md}^3 L_Q R_D + L_d L_D^2 L_Q R_f - L_D L_{md}^2 L_Q R_f)}{L_D L_Q (-L_d L_D L_f + L_d L_{md}^2 + L_D L_{md}^2 + L_f L_{md}^2 - 2L_{md}^3)} \\
& + \frac{i_q \omega (L_D^2 L_{md} L_{mq}^2 - L_D L_{md}^2 L_{mq}^2 - L_D^2 L_{md} L_q L_Q + L_D L_{md}^2 L_q L_Q)}{L_D L_Q (-L_d L_D L_f + L_d L_{md}^2 + L_D L_{md}^2 + L_f L_{md}^2 - 2L_{md}^3)} \\
& + \frac{\psi_D (-L_d L_{md} L_Q R_D + L_{md}^2 L_Q R_D) + \psi_Q \omega (L_D^2 L_{md} L_{mq} - L_D L_{md}^2 L_{mq})}{L_D L_Q (-L_d L_D L_f + L_d L_{md}^2 + L_D L_{md}^2 + L_f L_{md}^2 - 2L_{md}^3)} \\
& + \frac{u_d (L_D^2 L_{md} L_Q - L_D L_{md}^2 L_Q) + u_q (-L_d L_D^2 L_Q + L_D L_{md}^2 L_Q)}{L_D L_Q (-L_d L_D L_f + L_d L_{md}^2 + L_D L_{md}^2 + L_f L_{md}^2 - 2L_{md}^3)}
\end{aligned} \tag{4.31b}$$

$$\frac{d\psi_D}{dt} = -\frac{-i_d L_{md} R_D - i_f L_{md} R_D + \psi_D R_D}{L_D} \tag{4.31c}$$

Iz izraza (4.30d), (4.30e), (4.30f) se može urediti dinamički sustav sa stanjima i_q , ψ_Q , ω :

$$\begin{aligned}
\frac{di_q}{dt} = & \frac{i_q(-L_D L_{mq}^2 R_Q + L_D L_Q^2 R_s) + i_d \omega (-L_d L_D L_Q^2 + L_{md}^2 L_Q^2)}{L_D L_Q (-L_{mq}^2 + L_q L_Q)} \\
& + \frac{i_f \omega (L_D L_{md} L_Q^2 - L_{md}^2 L_Q^2) + \omega \psi_D L_{md} L_Q^2 - \psi_Q L_{mq} R_Q L_D - L_D L_Q^2 u_q}{L_D L_Q (-L_{mq}^2 + L_q L_Q)}
\end{aligned} \tag{4.31d}$$

$$\frac{d\psi_Q}{dt} = -\frac{i_q L_{mq} R_Q + \psi_Q R_Q}{L_Q} \quad (4.31e)$$

$$\begin{aligned} \frac{d\omega}{dt} = & \frac{i_d i_q (-L_D L_{mq}^2 - L_d L_D L_Q + L_{md}^2 L_Q + L_D L_q L_Q) - i_f i_q (-L_D L_{md} L_Q + L_{md}^2 L_Q)}{2HL_D L_Q} \\ & + \frac{i_q \psi_D L_{md} L_Q - i_d \psi_Q L_D L_{mq} - L_D L_Q M_T}{2HL_D L_Q} \end{aligned} \quad (4.31f)$$

Matematički zapis izraza od (4.31a) do (4.31f) je :

$$\begin{bmatrix} \dot{i}_d \\ \dot{i}_f \\ \dot{\psi}_D \\ \dot{i}_q \\ \dot{\psi}_Q \\ \dot{\omega} \end{bmatrix} = \begin{bmatrix} a_1 i_d + a_2 i_f + a_3 i_q \omega + a_4 \psi_D + a_5 \psi_Q \omega + a_6 u_d + a_7 u_f \\ b_1 i_d + b_2 i_f + b_3 i_q \omega + b_4 \psi_D + b_5 \psi_Q \omega + b_6 u_d + b_7 u_f \\ c_1 i_d + c_2 i_f + c_3 \psi_D \\ d_1 i_q + d_2 i_d \omega + d_3 i_f \omega + d_4 \omega \psi_D + d_5 \psi_Q + d_6 u_q \\ f_1 i_q + f_2 \psi_Q \\ g_1 i_d i_q + g_2 i_f i_q + g_3 i_q \psi_D + g_4 i_d \psi_Q + g_5 M_T \end{bmatrix} \quad (4.32)$$

Izrazi za koeficijente a_1, a_2, \dots, g_5 dani su u Prilogu B.

4.6 Observer punog reda s tokovima prigušnog namota

Obzirom na sustav (4.32) predlaže se observer punog reda :

$$\begin{bmatrix} \hat{i}_d \\ \hat{i}_f \\ \hat{\psi}_D \\ \hat{i}_q \\ \hat{\psi}_Q \\ \hat{\omega} \end{bmatrix} = \begin{bmatrix} a_1 i_d + a_2 i_f + a_3 i_q \omega + a_4 \widehat{\psi}_D + a_5 \widehat{\psi}_Q \omega + a_6 u_d + a_7 u_f + k_{11} e_1 \\ b_1 i_d + b_2 i_f + b_3 i_q \omega + b_4 \widehat{\psi}_D + b_5 \widehat{\psi}_Q \omega + b_6 u_d + b_7 u_f + k_{22} e_2 \\ c_1 i_d + c_2 i_f + c_3 \widehat{\psi}_D + k_{31} e_1 + k_{32} e_2 + k_{33} e_4 + k_{34} e_6 \\ d_1 i_q + d_2 i_d \omega + d_3 i_f \omega + d_4 \omega \widehat{\psi}_D + d_5 \widehat{\psi}_Q + d_6 u_q + k_{43} e_4 \\ f_1 i_q + f_2 \widehat{\psi}_Q + k_{51} e_1 + k_{52} e_2 + k_{53} e_4 + k_{54} e_6 \\ g_1 i_d i_q + g_2 i_f i_q + g_3 i_q \widehat{\psi}_D + g_4 i_d \widehat{\psi}_Q + g_5 M_T + k_{64} e_6 \end{bmatrix} \quad (4.33)$$

gdje su pogreške stanja:

$$e_1 = i_d - \widehat{i}_d; e_2 = i_f - \widehat{i}_f; e_3 = \psi_D - \widehat{\psi}_D; e_4 = i_q - \widehat{i}_q; e_5 = \psi_Q - \widehat{\psi}_Q; e_6 = \omega - \widehat{\omega} \quad (4.33b)$$

4.6.1 Osmotrivost sustava punog reda s tokovima prigušnog namota

Za observer punog reda s tokovima prigušnog namota je dokazana osmotrivost. Naveden je teorem osmotrivosti, a zatim je sukladno izveden i dokaz osmotrivosti.

4.6.1.1 Teorem osmotrivosti

Ukoliko se pretpostavi postojanje nelinearnog sustava Σ :

$$\begin{aligned} \dot{X}(t) &= f(x, u) \\ y(t) &= h(x) \end{aligned}$$

i točku (stanje) u prostoru stanja $x_0 \in \Omega$.

Neka je :

$$O = \frac{\partial L(X)}{\partial x} |_{x = x_0}$$

Gdje je:

$$L = \begin{bmatrix} L_f^0 h(x) \\ L_f^1 h(x) \\ \vdots \\ L_f^{n-1} h(x) \end{bmatrix}$$

L je kriterijska matrica osmotrivosti a $L_f^k h$ je Lie derivacija k -tog reda izlazne funkcije h s obzirom na vektorsko polje f . Ako je matrica O punog reda:

$$\text{rank } \{O\} = n \quad (4.34)$$

tada je stanje sustava Σ lokalno slabo osmotriv u točki x_0 .

4.6.2 Dokaz osmotrivosti za sustav punog reda s tokovima prigušnog namota

Najprije će se ispitati osmotrivost sustava (4.33) za sljedeće izlazne varijable:

i_d, i_f, i_q, ω .

Koristeći koncept slabe osmotrivosti [38-39] prema poglavlju 4.6.1.1 potrebno je pronaći kriterijske podmatrice da se zadovolji kriterij ranga prema (4.34).

Najprije se sustav zapiše u prikladnoj formi:

$$\begin{bmatrix} \dot{i}_d \\ \dot{i}_f \\ \dot{\psi}_D \\ \dot{i}_q \\ \dot{\psi}_Q \\ \dot{\omega} \end{bmatrix} = F_A + g_A u_d + g_B u_f + g_C u_q \quad (4.35)$$

Gdje je F_A :

$$F_A = \begin{bmatrix} a_1 i_d + a_2 i_f + a_3 i_q \omega + a_4 \psi_D + a_5 \psi_Q \omega \\ b_1 i_d + b_2 i_f + b_3 i_q \omega + b_4 \psi_D + b_5 \psi_Q \omega \\ c_1 i_d + c_2 i_f + c_3 \psi_D \\ d_1 i_q + d_2 i_d \omega + d_3 i_f \omega + d_4 \omega \psi_D + d_5 \psi_Q \\ f_1 i_q + f_2 \psi_Q \\ g_1 i_d i_q + g_2 i_f i_q + g_3 i_q \psi_D + g_4 i_d \psi_Q + g_5 M_T \end{bmatrix}$$

Za dokazivanje osmotrivosti potrebno je izračunati determinante proizvoljno (obzirom na odabrane izlaze) odabranih matrica osmotrivosti.

Odabrana je podmatrica O_I :

$$O_I = \begin{bmatrix} di_d \\ di_f \\ di_q \\ d\omega \\ d(L_f i_d) \\ d(L_f i_f) \end{bmatrix} = \begin{bmatrix} \frac{\partial L_f^0 i_d}{\partial i_d} & \frac{\partial L_f^0 i_d}{\partial i_f} & \frac{\partial L_f^0 i_d}{\partial \varphi_D} & \frac{\partial L_f^0 i_d}{\partial i_q} & \frac{\partial L_f^0 i_d}{\partial \varphi_Q} & \frac{\partial L_f^0 i_d}{\partial \omega} \\ \frac{\partial L_f^0 i_f}{\partial i_d} & \frac{\partial L_f^0 i_f}{\partial i_f} & \frac{\partial L_f^0 i_f}{\partial \varphi_D} & \frac{\partial L_f^0 i_f}{\partial i_q} & \frac{\partial L_f^0 i_f}{\partial \varphi_Q} & \frac{\partial L_f^0 i_f}{\partial \omega} \\ \frac{\partial L_f^0 i_q}{\partial i_d} & \frac{\partial L_f^0 i_q}{\partial i_f} & \frac{\partial L_f^0 i_q}{\partial \varphi_D} & \frac{\partial L_f^0 i_q}{\partial i_q} & \frac{\partial L_f^0 i_q}{\partial \varphi_Q} & \frac{\partial L_f^0 i_q}{\partial \omega} \\ \frac{\partial L_f^0 \omega}{\partial i_d} & \frac{\partial L_f^0 \omega}{\partial i_f} & \frac{\partial L_f^0 \omega}{\partial \varphi_D} & \frac{\partial L_f^0 \omega}{\partial i_q} & \frac{\partial L_f^0 \omega}{\partial \varphi_Q} & \frac{\partial L_f^0 \omega}{\partial \omega} \\ \frac{\partial L_f^1 i_d}{\partial i_d} & \frac{\partial L_f^1 i_d}{\partial i_f} & \frac{\partial L_f^1 i_d}{\partial \varphi_D} & \frac{\partial L_f^1 i_d}{\partial i_q} & \frac{\partial L_f^1 i_d}{\partial \varphi_Q} & \frac{\partial L_f^1 i_d}{\partial \omega} \\ \frac{\partial L_f^1 i_f}{\partial i_d} & \frac{\partial L_f^1 i_f}{\partial i_f} & \frac{\partial L_f^1 i_f}{\partial \varphi_D} & \frac{\partial L_f^1 i_f}{\partial i_q} & \frac{\partial L_f^1 i_f}{\partial \varphi_Q} & \frac{\partial L_f^1 i_f}{\partial \omega} \end{bmatrix} \quad (4.36)$$

Slijedi izračun pojedinih redaka matrice O_I :

- najprije se lako izračunaju prva četiri retka.

$$\frac{\partial L_f^0 i_d}{\partial x} = \begin{bmatrix} 1 \\ 0 \\ 0 \\ 0 \\ 0 \\ 0 \end{bmatrix}^T; \quad \frac{\partial L_f^0 i_f}{\partial x} = \begin{bmatrix} 0 \\ 1 \\ 0 \\ 0 \\ 0 \\ 0 \end{bmatrix}^T; \quad \frac{\partial L_f^0 i_q}{\partial x} = \begin{bmatrix} 0 \\ 0 \\ 0 \\ 1 \\ 0 \\ 0 \end{bmatrix}^T; \quad \frac{\partial L_f^0 \omega}{\partial x} = \begin{bmatrix} 0 \\ 0 \\ 0 \\ 0 \\ 0 \\ 1 \end{bmatrix}^T$$

pri čemu je x vektor stanja sustava (4.35).

- nakon toga se izračunaju $L_f i_d$ te $L_f i_f$:

$$\begin{aligned} L_f i_d &= \frac{i_d(L_f L_{md}^2 L_Q R_D - L_{md}^3 L_Q R_D - L_D^2 L_f L_Q R_s + L_D L_{md}^2 L_Q R_s)}{L_D L_Q (-L_d L_D L_f + L_d L_{md}^2 + L_D L_{md}^2 + L_f L_{md}^2 - 2L_{md}^3)} \\ &+ \frac{i_f(-L_f L_{md}^2 L_Q R_D + L_{md}^3 L_Q R_D + L_D^2 L_{md} L_Q R_f - L_D L_{md}^2 L_Q R_f)}{L_D L_Q (-L_d L_D L_f + L_d L_{md}^2 + L_D L_{md}^2 + L_f L_{md}^2 - 2L_{md}^3)} \\ &+ \frac{i_q \omega (L_D^2 L_f L_{mq}^2 - L_D L_{md}^2 L_{mq}^2 - L_D^2 L_f L_q L_Q + L_D L_{md}^2 L_q L_Q)}{L_D L_Q (-L_d L_D L_f + L_d L_{md}^2 + L_D L_{md}^2 + L_f L_{md}^2 - 2L_{md}^3)} \\ &+ \frac{\psi_D (L_f L_{md} L_Q R_D - L_{md}^2 L_Q R_D) + \psi_Q \omega (L_D^2 L_f L_{mq} - L_D L_{md}^2 L_{mq})}{L_D L_Q (-L_d L_D L_f + L_d L_{md}^2 + L_D L_{md}^2 + L_f L_{md}^2 - 2L_{md}^3)} \end{aligned} \quad (4.37a)$$

$$\begin{aligned}
L_f i_f = & \frac{i_d(-L_d L_{md}^2 L_Q R_D + L_{md}^3 L_Q R_D - L_D^2 L_{md} L_Q R_S + L_D L_{md}^2 L_Q R_S)}{L_D L_Q(-L_d L_D L_f + L_d L_{md}^2 + L_D L_{md}^2 + L_f L_{md}^2 - 2L_{md}^3)} \\
& + \frac{i_f(L_d L_{md}^2 L_Q R_D - L_{md}^3 L_Q R_D + L_d L_D^2 L_Q R_f - L_D L_{md}^2 L_Q R_f)}{L_D L_Q(-L_d L_D L_f + L_d L_{md}^2 + L_D L_{md}^2 + L_f L_{md}^2 - 2L_{md}^3)} \\
& + \frac{i_q \omega(L_D^2 L_{md} L_{mq}^2 - L_D L_{md}^2 L_{mq}^2 - L_D^2 L_{md} L_q L_Q + L_D L_{md}^2 L_q L_Q)}{L_D L_Q(-L_d L_D L_f + L_d L_{md}^2 + L_D L_{md}^2 + L_f L_{md}^2 - 2L_{md}^3)} \\
& + \frac{\psi_D(-L_d L_{md} L_Q R_D + L_{md}^2 L_Q R_D) + \psi_Q \omega(L_D^2 L_{md} L_{mq} - L_D L_{md}^2 L_{mq})}{L_D L_Q(-L_d L_D L_f + L_d L_{md}^2 + L_D L_{md}^2 + L_f L_{md}^2 - 2L_{md}^3)}
\end{aligned} \tag{4.37b}$$

- konačno se mogu odrediti i posljednja dva retka (4.38a),(4.38b):

$$\frac{\partial L_f^1 i_d}{\partial x} = \begin{bmatrix} \frac{L_f L_{md}^2 L_Q R_D - L_{md}^3 L_Q R_D - L_D^2 L_f L_Q R_S + L_D L_{md}^2 L_Q R_S}{L_D L_Q(-L_d L_D L_f + L_d L_{md}^2 + L_D L_{md}^2 + L_f L_{md}^2 - 2L_{md}^3)} \\ \frac{-L_f L_{md}^2 L_Q R_D + L_{md}^3 L_Q R_D + L_D^2 L_{md} L_Q R_f - L_D L_{md}^2 L_Q R_f}{L_D L_Q(-L_d L_D L_f + L_d L_{md}^2 + L_D L_{md}^2 + L_f L_{md}^2 - 2L_{md}^3)} \\ \frac{L_f L_{md} L_Q R_D - L_{md}^2 L_Q R_D}{L_D L_Q(-L_d L_D L_f + L_d L_{md}^2 + L_D L_{md}^2 + L_f L_{md}^2 - 2L_{md}^3)} \\ \frac{(L_D^2 L_f L_{mq}^2 - L_D L_{md}^2 L_{mq}^2 - L_D^2 L_f L_q L_Q + L_D L_{md}^2 L_q L_Q) \omega}{L_D L_Q(-L_d L_D L_f + L_d L_{md}^2 + L_D L_{md}^2 + L_f L_{md}^2 - 2L_{md}^3)} \\ \frac{(L_D^2 L_f L_{mq} - L_D L_{md}^2 L_{mq}) \omega}{L_D L_Q(-L_d L_D L_f + L_d L_{md}^2 + L_D L_{md}^2 + L_f L_{md}^2 - 2L_{md}^3)} \\ i_q(L_D^2 L_f L_{mq}^2 - L_D L_{md}^2 L_{mq}^2 - L_D^2 L_f L_q L_Q + L_D L_{md}^2 L_q L_Q) + (L_D^2 L_f L_{mq} - L_D L_{md}^2 L_{mq}) \psi_Q \end{bmatrix}^T \tag{4.38a}$$

$$\frac{\partial L_f^1 i_f}{\partial x} = \begin{bmatrix} \frac{-L_d L_{md}^2 L_Q R_D + L_{md}^3 L_Q R_D - L_D^2 L_{md} L_Q R_S + L_D L_{md}^2 L_Q R_S}{L_D L_Q(-L_d L_D L_f + L_d L_{md}^2 + L_D L_{md}^2 + L_f L_{md}^2 - 2L_{md}^3)} \\ \frac{L_d L_{md}^2 L_Q R_D - L_{md}^3 L_Q R_D + L_d L_D^2 L_Q R_f - L_D L_{md}^2 L_Q R_f}{L_D L_Q(-L_d L_D L_f + L_d L_{md}^2 + L_D L_{md}^2 + L_f L_{md}^2 - 2L_{md}^3)} \\ \frac{-L_d L_{md} L_Q R_D + L_{md}^2 L_Q R_D}{L_D L_Q(-L_d L_D L_f + L_d L_{md}^2 + L_D L_{md}^2 + L_f L_{md}^2 - 2L_{md}^3)} \\ \frac{(L_D^2 L_{md} L_{mq}^2 - L_D L_{md}^2 L_{mq}^2 - L_D^2 L_{md} L_q L_Q + L_D L_{md}^2 L_q L_Q) \omega}{L_D L_Q(-L_d L_D L_f + L_d L_{md}^2 + L_D L_{md}^2 + L_f L_{md}^2 - 2L_{md}^3)} \\ \frac{(L_D^2 L_{md} L_{mq} - L_D L_{md}^2 L_{mq}) \omega}{L_D L_Q(-L_d L_D L_f + L_d L_{md}^2 + L_D L_{md}^2 + L_f L_{md}^2 - 2L_{md}^3)} \\ i_q(L_D^2 L_{md} L_{mq}^2 - L_D L_{md}^2 L_{mq}^2 - L_D^2 L_{md} L_q L_Q + L_D L_{md}^2 L_q L_Q) + (L_D^2 L_{md} L_{mq} - L_D L_{md}^2 L_{mq}) \psi_Q \end{bmatrix}^T \tag{4.38b}$$

Zatim se može izračunati determinanta O_I :

$$\text{Det}(O_1) = - \frac{\omega L_{md} L_{mq} R_D}{L_D L_Q(L_d L_D L_f - L_d L_{md}^2 - L_D L_{md}^2 - L_f L_{md}^2 + 2L_{md}^3)} \tag{4.39}$$

Odabirom podmatrice O_2 :

$$O_2 = \begin{bmatrix} di_d \\ di_f \\ di_q \\ d\omega \\ d(L_f i_d) \\ d(L_f i_q) \end{bmatrix} = \begin{bmatrix} \frac{\partial L_f^0 i_d}{\partial i_d} & \frac{\partial L_f^0 i_d}{\partial i_f} & \frac{\partial L_f^0 i_d}{\partial \varphi_D} & \frac{\partial L_f^0 i_d}{\partial i_q} & \frac{\partial L_f^0 i_d}{\partial \varphi_Q} & \frac{\partial L_f^0 i_d}{\partial \omega} \\ \frac{\partial L_f^0 i_f}{\partial i_d} & \frac{\partial L_f^0 i_f}{\partial i_f} & \frac{\partial L_f^0 i_f}{\partial \varphi_D} & \frac{\partial L_f^0 i_f}{\partial i_q} & \frac{\partial L_f^0 i_f}{\partial \varphi_Q} & \frac{\partial L_f^0 i_f}{\partial \omega} \\ \frac{\partial L_f^0 i_q}{\partial i_d} & \frac{\partial L_f^0 i_q}{\partial i_f} & \frac{\partial L_f^0 i_q}{\partial \varphi_D} & \frac{\partial L_f^0 i_q}{\partial i_q} & \frac{\partial L_f^0 i_q}{\partial \varphi_Q} & \frac{\partial L_f^0 i_q}{\partial \omega} \\ \frac{\partial L_f^0 \omega}{\partial i_d} & \frac{\partial L_f^0 \omega}{\partial i_f} & \frac{\partial L_f^0 \omega}{\partial \varphi_D} & \frac{\partial L_f^0 \omega}{\partial i_q} & \frac{\partial L_f^0 \omega}{\partial \varphi_Q} & \frac{\partial L_f^0 \omega}{\partial \omega} \\ \frac{\partial L_f^1 i_d}{\partial i_d} & \frac{\partial L_f^1 i_d}{\partial i_f} & \frac{\partial L_f^1 i_d}{\partial \varphi_D} & \frac{\partial L_f^1 i_d}{\partial i_q} & \frac{\partial L_f^1 i_d}{\partial \varphi_Q} & \frac{\partial L_f^1 i_d}{\partial \omega} \\ \frac{\partial L_f^1 i_q}{\partial i_d} & \frac{\partial L_f^1 i_q}{\partial i_f} & \frac{\partial L_f^1 i_q}{\partial \varphi_D} & \frac{\partial L_f^1 i_q}{\partial i_q} & \frac{\partial L_f^1 i_q}{\partial \varphi_Q} & \frac{\partial L_f^1 i_q}{\partial \omega} \end{bmatrix} \quad (4.40)$$

Matrica O_2 se od O_1 razlikuje samo u posljednjem retku koji nastaje parcijalnim deriviranjem $L_f i_q$ (5.41):

$$L_f i_q = \frac{i_q(-L_D L_{mq}^2 R_Q + L_D L_Q^2 R_S) + i_d \omega(-L_d L_D L_Q^2 + L_{md}^2 L_Q^2) + i_f \omega(L_D L_{md} L_Q^2 - L_{md}^2 L_Q^2) + \omega \psi_D L_{md} L_Q^2 - \psi_Q L_{mq} R_Q L_D}{L_D L_Q(-L_{mq}^2 + L_Q L_Q)} \quad (4.41)$$

Odredi se i posljednji redak matrice O_2 :

$$\frac{\partial L_f^1 i_q}{\partial x} = \begin{bmatrix} \frac{\omega(-L_d L_D L_Q^2 + L_{md}^2 L_Q^2)}{L_Q(-L_D L_{mq}^2 + L_D L_Q L_Q)} \\ \frac{\omega(L_D L_{md} L_Q^2 - L_{md}^2 L_Q^2)}{L_Q(-L_D L_{mq}^2 + L_D L_Q L_Q)} \\ \frac{\omega L_{md} L_Q^2}{L_Q(-L_D L_{mq}^2 + L_D L_Q L_Q)} \\ \frac{-L_D L_{mq}^2 R_Q + L_D L_Q^2 R_S}{L_Q(-L_D L_{mq}^2 + L_D L_Q L_Q)} \\ \frac{L_{mq} R_Q}{L_Q(-L_{mq}^2 + L_Q L_Q)} \\ \frac{i_d(-L_d L_D L_Q^2 + L_{md}^2 L_Q^2) + i_f L_Q(L_D L_{md} L_Q^2 - L_{md}^2 L_Q^2)}{L_D L_Q(-L_{mq}^2 + L_Q L_Q)} \end{bmatrix}^T \quad (4.42)$$

Determinanta O_2 je :

$$Det(O_2) = - \frac{\omega^2 L_{md}(-L_D^2 L_f L_{mq} + L_D L_{md}^2 L_{mq})}{L_D^2(-L_d L_D L_f + L_d L_{md}^2 + L_D L_{md}^2 + L_f L_{md}^2 - 2L_{md}^3)(-L_{mq}^2 + L_Q L_Q)} - \frac{L_{mq} R_Q(-L_f L_{md} L_Q R_D + L_{md}^2 L_Q R_D)}{L_D L_Q^2(-L_d L_D L_f + L_d L_{md}^2 + L_D L_{md}^2 + L_f L_{md}^2 - 2L_{md}^3)(-L_{mq}^2 + L_Q L_Q)} \quad (4.43)$$

Promatrajući obje determinante:

$Det O_1 \neq 0$, za $\omega \neq 0$.

$Det O_2 \neq 0$, za $\omega = 0$

Može se zaključiti da je

$Det (O_1) \neq 0 \cup Det (O_2) \neq 0 \Rightarrow rank\{O\}=6$

matrica O je punog reda pa je zadovoljen kriterij ranga i može se zaključiti da je sustav lokalno slabo osmotriv u svakoj točki prostora.

4.6.3 Stabilnost observera punog reda s tokovima prigušnog namota

Za dokazivanje stabilnosti observera iz (4.33) najprije se zada pozitivno definitna Lyapunovljevu funkciju:

$$V_1 = \frac{e_1^2}{2} + \frac{e_2^2}{2} + \frac{e_3^2}{2} + \frac{e_4^2}{2} + \frac{e_5^2}{2} + \frac{e_6^2}{2} \quad (4.44)$$

Gdje su $e_1, e_2, e_3, e_4, e_5, e_6$ odstupanja stvarnih vrijednosti stanja od estimiranih kako je već navedeno u (4.33b).

Dinamika pogreške je razlika izraza (4.32) - (4.33):

$$\begin{bmatrix} \dot{e}_1 \\ \dot{e}_2 \\ \dot{e}_3 \\ \dot{e}_4 \\ \dot{e}_5 \\ \dot{e}_6 \end{bmatrix} = \begin{bmatrix} a_4 e_3 + a_5 \omega e_5 - k_{11} e_1 \\ b_4 e_3 + b_5 \omega e_5 - k_{22} e_2 \\ c_3 e_3 - k_{31} e_1 - k_{32} e_2 + k_{33} e_4 + k_{34} e_6 \\ d_4 \omega e_3 + d_5 e_5 - k_{43} e_4 \\ f_2 e_5 - k_{51} e_1 - k_{52} e_2 - k_{53} e_4 - k_{54} e_6 \\ g_3 i_q e_3 + g_4 i_d e_5 - k_{64} e_6 \end{bmatrix} \quad (4.45)$$

Derivacija Lyapunovljeve funkcije iz (4.44) korištenjem (4.45) je:

$$\begin{aligned} \dot{V}_1 = & a_4 e_1 e_3 + a_5 \omega e_1 e_5 - k_{11} e_1^2 + b_4 e_2 e_3 + b_5 \omega e_2 e_5 - k_{22} e_2^2 + \\ & + c_3 e_3^2 - k_{31} e_1 e_3 - k_{32} e_2 e_3 - k_{33} e_3 e_4 - k_{34} e_3 e_6 + d_4 \omega e_3 e_4 + d_5 e_4 e_5 - k_{43} e_4^2 + \\ & + f_2 e_5^2 - k_{51} e_1 e_5 - k_{52} e_2 e_5 - k_{53} e_4 e_5 - k_{54} e_5 e_6 + g_3 i_q e_3 e_6 + g_4 i_d e_5 e_6 - k_{64} e_6^2 \end{aligned} \quad (4.45b)$$

Ukoliko se konvergencijski koeficijenti definiraju na sljedeći način:

$$\begin{aligned} k_{31} = a_4 ; k_{32} = b_4 ; k_{33} = d_4 \omega ; k_{34} = g_3 i_q ; k_{51} = a_5 \omega ; k_{52} = b_5 \omega ; \\ k_{53} = d_5 ; k_{54} = g_4 i_d ; k_{11}, k_{22}, k_{43}, k_{64} > 0 \end{aligned}$$

Derivacija Lyapunovljeve funkcije postaje:

$$\dot{V}_1 = -k_{11} e_1^2 - k_{22} e_2^2 + c_3 e_3^2 - k_{43} e_4^2 + f_2 e_5^2 - k_{64} e_6^2$$

Kod svakog sinkronog stroja c_3 i f_2 su uvijek negativni, kako je navedeno u Prilogu B, pa se uz jednostavan odabir pozitivnih vrijednosti za ostale koeficijente postiže negativno definitna derivacija Lyapunovljeve funkcije:

$$\dot{V}_1 < 0$$

što znači da je sustav globalno stabilan prema Lyapunovu.

4.7 Observeri reduciranog reda s tokovima prigušnog namota

Za izradu prethodno opisanog observera punog reda potrebno je poznavati napone na stroju te momenta tereta. Navedeno predstavlja određenu složenost koja se može eliminirati, ako se iz dinamičkog sustava observera punog reda (4.33) izostave dinamike struja tj. prvi, drugi i četvrti redak sustava.

Navedenim reduciranjem nastaje observer (4.46) za čiju izradu nije potrebno poznavati napone na stroju.

$$\begin{bmatrix} \dot{\hat{\psi}}_D \\ \dot{\hat{\psi}}_Q \\ \dot{\hat{\omega}} \end{bmatrix} = \begin{bmatrix} c_1 i_d + c_2 i_f + c_3 \hat{\psi}_D + k_{31} e_6 \\ f_1 i_q + f_2 \hat{\psi}_Q + k_{51} e_6 \\ g_1 i_d i_q + g_2 i_f i_q + g_3 i_q \hat{\psi}_D + g_4 i_d \hat{\psi}_Q + g_5 M_T + k_{61} e_6 \end{bmatrix} \quad (4.46)$$

Uz definiranje pozitivno definitne Lyapunovljeve funkcije:

$$V = \frac{e_3^2}{2} + \frac{e_5^2}{2} + \frac{e_6^2}{2} \quad (4.47)$$

te za koeficijente $k_{31} = g_3 i_q$, $k_{51} = g_4 i_d$, $k_{61} > 0$, derivacija Lyapunovljeve funkcije je negativno definitna jer su c_3, f_2 uvijek negativni, tako da je dokazana stabilnost observera.

$$\dot{V} = c_3 e_3^2 + f_2 e_5^2 - k_{61} e_6^2$$

Iako za uspostavljanje observera nisu potrebna mjerenja napona još uvijek je potrebno poznavanje momenta tereta.

Izostavljanjem jednadžbe gibanja iz (4.46) može se uspostaviti observer koji će obuhvatiti samo dinamiku prigušnih tokova :

$$\begin{bmatrix} \dot{\hat{\psi}}_D \\ \dot{\hat{\psi}}_Q \end{bmatrix} = \begin{bmatrix} c_1 i_d + c_2 i_f + c_3 \hat{\psi}_D \\ f_1 i_q + f_2 \hat{\psi}_Q \end{bmatrix} \quad (4.48)$$

Definiranjem pozitivno definitne Lyapunovljeve funkcije :

$$V = \frac{e_3^2}{2} + \frac{e_5^2}{2} \quad (4.49)$$

Dobije se negativno definitna derivacija:

$$\dot{V} = c_3 e_3^2 + f_2 e_5^2$$

Za konvergenciju observera nisu potrebni konvergencijski koeficijenti niti poznavanje napona stroja niti poznavanje momenta tereta.

4.8 Observer sa adaptacijom otpora statorskog i rotorskog namota

Za izgradnju adaptivnog observera u odnosu na otpore statorskog i rotorskog namota najprije je potrebno dodatno proširiti sustav (4.32).

Prošireni sustav je:

$$\begin{bmatrix} \dot{i}_d \\ \dot{i}_f \\ \dot{\psi}_D \\ \dot{i}_q \\ \dot{\psi}_Q \\ \dot{\omega} \end{bmatrix} = \begin{bmatrix} a_1 i_d + a_2 i_f + a_3 i_q \omega + a_4 \psi_D + a_5 \psi_Q \omega + a_6 i_f R_f + a_7 i_d R_s + a_8 u_d + a_9 u_f \\ b_1 i_d + b_2 i_f + b_3 i_q \omega + b_4 \psi_D + b_5 \psi_Q \omega + b_6 i_f R_f + b_7 i_d R_s + b_8 u_d + b_9 u_f \\ c_1 i_d + c_2 i_f + c_3 \psi_D \\ d_1 i_q + d_2 i_d \omega + d_3 i_f \omega + d_4 \omega \psi_D + d_5 \psi_Q + d_6 i_q R_s + d_7 u_q \\ f_1 i_q + f_2 \psi_Q \\ g_1 i_d i_q + g_2 i_f i_q + g_3 i_q \psi_D + g_4 i_d \psi_Q + g_5 M_T \end{bmatrix} \quad (4.50)$$

Koeficijenti ovog sustava su zbog proširenja sustava nešto drugačiji nego u (4.32). Mijenjaju se sljedeći koeficijenti:

$$a_1 = \frac{L_f L_{md}^2 R_D - L_{md}^3 R_D}{L_D (-L_d L_D L_f + L_d L_{md}^2 + L_D L_{md}^2 + L_f L_{md}^2 - 2L_{md}^3)}$$

$$a_2 = \frac{-L_f L_{md}^2 R_D + L_{md}^3 R_D}{L_D (-L_d L_D L_f + L_d L_{md}^2 + L_D L_{md}^2 + L_f L_{md}^2 - 2L_{md}^3)}$$

$$a_6 = \frac{L_D^2 L_{md} - L_D L_{md}^2}{L_D (-L_d L_D L_f + L_d L_{md}^2 + L_D L_{md}^2 + L_f L_{md}^2 - 2L_{md}^3)}$$

$$a_7 = \frac{-L_D^2 L_f + L_D L_{md}^2}{L_D (-L_d L_D L_f + L_d L_{md}^2 + L_D L_{md}^2 + L_f L_{md}^2 - 2L_{md}^3)}$$

$$a_8 = \frac{L_D^2 L_f L_Q - L_D L_{md}^2 L_Q}{L_D L_Q (-L_d L_D L_f + L_d L_{md}^2 + L_D L_{md}^2 + L_f L_{md}^2 - 2L_{md}^3)}$$

$$a_9 = \frac{-L_D^2 L_{md} L_Q + L_D L_{md}^2 L_Q}{L_D L_Q (-L_d L_D L_f + L_d L_{md}^2 + L_D L_{md}^2 + L_f L_{md}^2 - 2L_{md}^3)}$$

$$b_1 = \frac{-L_d L_{md}^2 R_D + L_{md}^3 R_D - L_D^2 L_{md} R_s + L_D L_{md}^2 R_s}{L_D (-L_d L_D L_f + L_d L_{md}^2 + L_D L_{md}^2 + L_f L_{md}^2 - 2L_{md}^3)}$$

$$\begin{aligned}
b_2 &= \frac{L_d L_{md}^2 R_D - L_{md}^3 R_D + L_d L_D^2 R_f - L_D L_{md}^2 R_f}{L_D (-L_d L_D L_f + L_d L_{md}^2 + L_D L_{md}^2 + L_f L_{md}^2 - 2L_{md}^3)} \\
b_6 &= \frac{L_d L_D^2 - L_D L_{md}^2}{L_D (-L_d L_D L_f + L_d L_{md}^2 + L_D L_{md}^2 + L_f L_{md}^2 - 2L_{md}^3)} \\
b_7 &= \frac{-L_D^2 L_{md} + L_D L_{md}^2}{L_D (-L_d L_D L_f + L_d L_{md}^2 + L_D L_{md}^2 + L_f L_{md}^2 - 2L_{md}^3)} \\
b_8 &= \frac{L_D^2 L_{md} L_Q - L_D L_{md}^2 L_Q}{L_D L_Q (-L_d L_D L_f + L_d L_{md}^2 + L_D L_{md}^2 + L_f L_{md}^2 - 2L_{md}^3)} \\
b_9 &= \frac{-L_d L_D^2 L_Q + L_D L_{md}^2 L_Q}{L_D L_Q (-L_d L_D L_f + L_d L_{md}^2 + L_D L_{md}^2 + L_f L_{md}^2 - 2L_{md}^3)} \\
d_1 &= \frac{-L_D L_{mq}^2 R_Q}{L_D L_Q (-L_{mq}^2 + L_q L_Q)} \\
d_6 &= \frac{L_D L_Q^2}{L_D L_Q (-L_{mq}^2 + L_q L_Q)} \\
d_7 &= \frac{-L_Q}{(-L_{mq}^2 + L_q L_Q)}
\end{aligned}$$

Na sličan način kao i bez adaptacije definira se observer (4.51):

$$\begin{bmatrix} \dot{\hat{i}}_d \\ \dot{\hat{i}}_f \\ \dot{\hat{\psi}}_D \\ \dot{\hat{i}}_q \\ \dot{\hat{\psi}}_Q \\ \dot{\hat{\omega}} \end{bmatrix} = \begin{bmatrix} a_1 i_d + a_2 i_f + a_3 i_q \omega + a_4 \widehat{\psi}_D + a_5 \widehat{\psi}_Q \omega + a_6 i_f \widehat{R}_f + a_7 i_d \widehat{R}_s + a_8 u_d + a_9 u_f + k_{11} e_1 \\ b_1 i_d + b_2 i_f + b_3 i_q \omega + b_4 \widehat{\psi}_D + b_5 \widehat{\psi}_Q \omega + b_6 i_f \widehat{R}_f + b_7 i_d \widehat{R}_s + b_8 u_d + b_9 u_f + k_{22} e_2 \\ c_1 i_d + c_2 i_f + c_3 \widehat{\psi}_D + k_{31} e_1 + k_{32} e_2 + k_{33} e_4 + k_{34} e_6 \\ d_1 i_q + d_2 i_d \omega + d_3 i_f \omega + d_4 \omega \widehat{\psi}_D + d_5 \widehat{\psi}_Q + d_6 i_q \widehat{R}_s + d_7 u_q + k_{43} e_4 \\ f_1 i_q + f_2 \widehat{\psi}_Q + k_{51} e_1 + k_{52} e_2 + k_{53} e_4 + k_{54} e_6 \\ g_1 i_d i_q + g_2 i_f i_q + g_3 i_q \widehat{\psi}_D + g_4 i_d \widehat{\psi}_Q + g_5 M_T + k_{64} e_6 \end{bmatrix} \quad (4.51)$$

Dinamika odstupanja od stvarnih veličina je :

$$\begin{bmatrix} \dot{e}_1 \\ \dot{e}_2 \\ \dot{e}_3 \\ \dot{e}_4 \\ \dot{e}_5 \\ \dot{e}_6 \end{bmatrix} = \begin{bmatrix} a_4 e_3 + a_5 \omega e_5 + a_6 i_f \Delta R_f + a_7 i_d \Delta R_s - k_{11} e_1 \\ b_4 e_3 + b_5 \omega e_5 + b_6 i_f \Delta R_f + b_7 i_d \Delta R_s - k_{22} e_1 \\ c_3 e_3 - k_{31} e_1 - k_{32} e_2 + k_{33} e_4 + k_{34} e_6 \\ d_4 \omega e_3 + d_5 e_5 + d_6 i_q \Delta R_s - k_{43} e_4 \\ f_2 e_5 - k_{51} e_1 - k_{52} e_2 - k_{53} e_4 - k_{54} e_6 \\ g_3 i_q e_3 + g_4 i_d e_5 - k_{64} e_6 \end{bmatrix} \quad (4.52)$$

Definira se pozitivno definitna Lyapunovljeva funkcija :

$$V_1 = \frac{e_1^2}{2} + \frac{e_2^2}{2} + \frac{e_3^2}{2} + \frac{e_4^2}{2} + \frac{e_5^2}{2} + \frac{e_6^2}{2} + \frac{\Delta R_f^2}{2} + \frac{\Delta R_s^2}{2} \quad (4.53)$$

te se promotri njezina derivacija uz pretpostavku da je promjena otpora statorskog i rotorskog namota puno sporija od promjena varijabli stanja.

Derivacija Lyapunovljeve funkcije je:

$$\begin{aligned} \dot{V}_1 = & a_4 e_1 e_3 + a_5 \omega e_1 e_5 + a_6 i_f e_1 \Delta R_f + a_7 i_d e_1 \Delta R_s - k_{11} e_1^2 + b_4 e_2 e_3 + b_5 \omega e_2 e_5 + \\ & + b_6 i_f e_2 \Delta R_f + b_7 i_d e_1 \Delta R_s - k_{22} e_2^2 + c_3 e_3^2 - k_{31} e_1 e_3 - k_{32} e_2 e_3 - k_{33} e_3 e_4 - k_{34} e_3 e_6 + \\ & + d_4 \omega e_3 e_4 + d_5 e_4 e_5 + d_6 i_q e_4 \Delta R_s - k_{43} e_4^2 + f_2 e_5^2 - k_{51} e_1 e_5 - k_{52} e_2 e_5 - k_{53} e_4 e_5 - \\ & - k_{54} e_5 e_6 + g_3 i_q e_3 e_4 + g_4 i_d e_5 e_6 - k_{64} e_6^2 - \Delta R_s \dot{\hat{R}}_s - \Delta R_f \dot{\hat{R}}_f \end{aligned} \quad (4.54)$$

Postavljanjem zakona za adaptaciju otpora rotora i statora :

$$\dot{\hat{R}}_f = a_6 i_f e_1 + b_6 i_f e_2 \quad (4.55)$$

$$\dot{\hat{R}}_s = a_7 i_d e_1 + b_7 i_d e_2 + d_6 i_q e_4 \quad (4.56)$$

dobije se negativno definitna derivacija Lyapunovljeve funkcije istovjetna izrazu (4.45b) derivacije bez adaptacije otpora.

4.9 Estimacija momenta tereta

Definiranjem observera prema (4.48) omogućeno je jednostavno izračunavanje magnetskih tokova. Promatrajući jednadžbu gibanja, vidljivo je, da se pomoću magnetskih tokova lako može izračunati i elektromagnetski moment.

Za izradu estimacije momenta tereta, najprije je proširen dinamički sustav za varijablu momenta tereta. Zatim je obavljena analiza osmotrivosti cjelokupnog sustava nelinearnim pristupom, a nakon toga i osmotrivost reduciranog dijela sustava linearnim pristupom. Nakon provjere osmotrivosti, predložena su tri observera za estimaciju momenta tereta. To su observer koji se temelji na modelskom adaptivnom sustavu, Gopinathov observer te reducirani Luenbergerov observer.

4.9.1 Osmotrivost sustava za estimaciju momenta tereta

Razmotrena je osmotrivost cjelokupnog sustava prema nelinearnom principu osmotrivosti. Također je razmotrena i osmotrivost reduciranog sustava korištenjem linearne osmotrivosti.

4.9.1.1 Osmotrivost cjelokupnog sustava

Početnom sustavu (4.32) je dodana još jedna varijabla stanja, a to je kut rotora (γ). Osim toga sukladno literaturi [40] moment tereta se također može dodati sustavu. Budući da je dinamika momenta tereta nepoznata, u literaturi se obično njegova prva derivacija izjednači sa nulom. Razmatrani prošireni sustav je:

$$\begin{bmatrix} \dot{i}_d \\ \dot{i}_f \\ \dot{\psi}_D \\ \dot{i}_q \\ \dot{\psi}_Q \\ \dot{\omega} \\ \dot{\gamma} \\ \dot{M}_T \end{bmatrix} = \begin{bmatrix} a_1 i_d + a_2 i_f + a_3 i_q \omega + a_4 \psi_D + a_5 \psi_Q \omega + a_6 u_d + a_7 u_f \\ b_1 i_d + b_2 i_f + b_3 i_q \omega + b_4 \psi_D + b_5 \psi_Q \omega + b_6 u_d + b_7 u_f \\ c_1 i_d + c_2 i_f + c_3 \psi_D \\ d_1 i_q + d_2 i_d \omega + d_3 i_f \omega + d_4 \omega \psi_D + d_5 \psi_Q + d_6 u_q \\ f_1 i_q + f_2 \psi_Q \\ g_1 i_d i_q + g_2 i_f i_q + g_3 i_q \psi_D + g_4 i_d \psi_Q + g_5 M_T \\ \omega \\ 0 \end{bmatrix} \quad (4.57)$$

Analiza osmotrivosti se obavlja obzirom na mjerljive veličine, odnosno izlazne veličine: i_d , i_f , i_q , γ .

Koristeći koncept slabe osmotrivosti, poglavlje 4.6.1.1 potrebno je pronaći kriterijske podmatrice da se zadovolji kriterij ranga prema (4.34).

Radi lakšeg izračuna sustav (4.57) se zapisuje:

$$\begin{bmatrix} \dot{i}_d \\ \dot{i}_f \\ \dot{\psi}_D \\ \dot{i}_q \\ \dot{\psi}_Q \\ \dot{\omega} \\ \dot{\gamma} \\ \dot{M}_T \end{bmatrix} = F_B + g_A u_d + g_B u_f + g_C u_q \quad (4.58)$$

Gdje je F_B :

$$F_B = \begin{bmatrix} a_1 i_d + a_2 i_f + a_3 i_q \omega + a_4 \psi_D + a_5 \psi_Q \omega \\ b_1 i_d + b_2 i_f + b_3 i_q \omega + b_4 \psi_D + b_5 \psi_Q \omega \\ c_1 i_d + c_2 i_f + c_3 \psi_D \\ d_1 i_q + d_2 i_d \omega + d_3 i_f \omega + d_4 \omega \psi_D + d_5 \psi_Q \\ f_1 i_q + f_2 \psi_Q \\ g_1 i_d i_q + g_2 i_f i_q + g_3 i_q \psi_D + g_4 i_d \psi_Q + g_5 M_T \\ \omega \\ 0 \end{bmatrix}$$

Za dokazivanje osmotrivosti potrebno je izračunati determinante proizvoljno (obzirom na odabrane izlaze) odabranih matrica osmotrivosti.

Odabirom sljedeće podmatrice O_I :

$$O_1 = \begin{bmatrix} di_d \\ di_f \\ di_q \\ dy \\ d(L_f i_d) \\ d(L_f i_q) \\ d(L_f \gamma) \\ d(L_f^2 \gamma) \end{bmatrix} = \begin{bmatrix} \frac{\partial L_f^0 i_d}{\partial i_d} & \frac{\partial L_f^0 i_d}{\partial i_f} & \frac{\partial L_f^0 i_d}{\partial \varphi_D} & \frac{\partial L_f^0 i_d}{\partial i_q} & \frac{\partial L_f^0 i_d}{\partial \varphi_Q} & \frac{\partial L_f^0 i_d}{\partial \omega} & \frac{\partial L_f^0 i_d}{\partial \gamma} & \frac{\partial L_f^0 i_d}{\partial T_L} \\ \frac{\partial L_f^0 i_f}{\partial i_d} & \frac{\partial L_f^0 i_f}{\partial i_f} & \frac{\partial L_f^0 i_f}{\partial \varphi_D} & \frac{\partial L_f^0 i_f}{\partial i_q} & \frac{\partial L_f^0 i_f}{\partial \varphi_Q} & \frac{\partial L_f^0 i_f}{\partial \omega} & \frac{\partial L_f^0 i_f}{\partial \gamma} & \frac{\partial L_f^0 i_f}{\partial T_L} \\ \frac{\partial L_f^0 i_q}{\partial i_d} & \frac{\partial L_f^0 i_q}{\partial i_f} & \frac{\partial L_f^0 i_q}{\partial \varphi_D} & \frac{\partial L_f^0 i_q}{\partial i_q} & \frac{\partial L_f^0 i_q}{\partial \varphi_Q} & \frac{\partial L_f^0 i_q}{\partial \omega} & \frac{\partial L_f^0 i_q}{\partial \gamma} & \frac{\partial L_f^0 i_q}{\partial T_L} \\ \frac{\partial L_f^0 \gamma}{\partial i_d} & \frac{\partial L_f^0 \gamma}{\partial i_f} & \frac{\partial L_f^0 \gamma}{\partial \varphi_D} & \frac{\partial L_f^0 \gamma}{\partial i_q} & \frac{\partial L_f^0 \gamma}{\partial \varphi_Q} & \frac{\partial L_f^0 \gamma}{\partial \omega} & \frac{\partial L_f^0 \gamma}{\partial \gamma} & \frac{\partial L_f^0 \gamma}{\partial T_L} \\ \frac{\partial L_f^1 i_d}{\partial i_d} & \frac{\partial L_f^1 i_d}{\partial i_f} & \frac{\partial L_f^1 i_d}{\partial \varphi_D} & \frac{\partial L_f^1 i_d}{\partial i_q} & \frac{\partial L_f^1 i_d}{\partial \varphi_Q} & \frac{\partial L_f^1 i_d}{\partial \omega} & \frac{\partial L_f^1 i_d}{\partial \gamma} & \frac{\partial L_f^1 i_d}{\partial T_L} \\ \frac{\partial L_f^1 i_q}{\partial i_d} & \frac{\partial L_f^1 i_q}{\partial i_f} & \frac{\partial L_f^1 i_q}{\partial \varphi_D} & \frac{\partial L_f^1 i_q}{\partial i_q} & \frac{\partial L_f^1 i_q}{\partial \varphi_Q} & \frac{\partial L_f^1 i_q}{\partial \omega} & \frac{\partial L_f^1 i_q}{\partial \gamma} & \frac{\partial L_f^1 i_q}{\partial T_L} \\ \frac{\partial L_f^1 \gamma}{\partial i_d} & \frac{\partial L_f^1 \gamma}{\partial i_f} & \frac{\partial L_f^1 \gamma}{\partial \varphi_D} & \frac{\partial L_f^1 \gamma}{\partial i_q} & \frac{\partial L_f^1 \gamma}{\partial \varphi_Q} & \frac{\partial L_f^1 \gamma}{\partial \omega} & \frac{\partial L_f^1 \gamma}{\partial \gamma} & \frac{\partial L_f^1 \gamma}{\partial T_L} \\ \frac{\partial L_f^2 \gamma}{\partial i_d} & \frac{\partial L_f^2 \gamma}{\partial i_f} & \frac{\partial L_f^2 \gamma}{\partial \varphi_D} & \frac{\partial L_f^2 \gamma}{\partial i_q} & \frac{\partial L_f^2 \gamma}{\partial \varphi_Q} & \frac{\partial L_f^2 \gamma}{\partial \omega} & \frac{\partial L_f^2 \gamma}{\partial \gamma} & \frac{\partial L_f^2 \gamma}{\partial T_L} \end{bmatrix} \quad (4.59)$$

Uz izračun pojedinih redaka matrice:

- najprije prva četiri retka

$$\frac{\partial L_f^0 i_d}{\partial x} = \begin{bmatrix} 1 \\ 0 \\ 0 \\ 0 \\ 0 \\ 0 \\ 0 \\ 0 \end{bmatrix}^T; \quad \frac{\partial L_f^0 i_f}{\partial x} = \begin{bmatrix} 0 \\ 1 \\ 0 \\ 0 \\ 0 \\ 0 \\ 0 \\ 0 \end{bmatrix}^T; \quad \frac{\partial L_f^0 i_q}{\partial x} = \begin{bmatrix} 0 \\ 0 \\ 1 \\ 0 \\ 0 \\ 0 \\ 0 \\ 0 \end{bmatrix}^T; \quad \frac{\partial L_f^0 \gamma}{\partial x} = \begin{bmatrix} 0 \\ 0 \\ 0 \\ 0 \\ 0 \\ 0 \\ 1 \\ 0 \end{bmatrix}^T$$

pri čemu je x vektor stanja sustava (4.58).

- budući su $L_f h_1$, $L_f h_3$ identični izrazima (4.37a), (4.41), nužno je poznavati jedino $L_f h_4$ te

$L_f^2 \gamma$:

$$L_f \gamma = \omega \quad (4.60a)$$

$$L_f^2 \gamma = \frac{i_d i_q (-L_D L_{mq}^2 - L_d L_D L_Q + L_{md}^2 L_Q + L_D L_Q L_Q) - i_f i_q (-L_D L_{md} L_Q + L_{md}^2 L_Q)}{2HL_D L_Q} + \frac{i_q \psi_D L_{md} L_Q - i_d \psi_Q L_D L_{mq} - L_D L_Q M_t}{2HL_D L_Q} \quad (4.60b)$$

- sada se mogu odrediti i posljednja dva retka :

$$\frac{\partial L_f^1 \gamma}{\partial x} = \begin{bmatrix} 0 \\ 0 \\ 0 \\ 0 \\ 0 \\ 1 \\ 0 \\ 0 \\ 0 \end{bmatrix}^T \quad (4.61a)$$

$$\frac{\partial L_f^2 \gamma}{\partial x} = \begin{bmatrix} \frac{-i_q L_D L_{mq}^2 - i_q L_D L_d L_Q + i_q L_{md}^2 L_Q + i_q L_D L_q L_Q - L_D L_{mq} \psi_Q}{2HL_D L_Q} \\ -\frac{i_q L_D L_{md} L_Q + i_q L_{md}^2 L_Q}{2HL_D L_Q} \\ \frac{i_q L_{md} L_Q}{2HL_D L_Q} \\ \frac{-i_d L_D L_{mq}^2 - i_d L_D L_d L_Q + i_f L_D L_{md} L_Q + i_d L_{md}^2 L_Q - i_f L_{md}^2 L_Q + i_d L_D L_q L_Q + L_{md} L_Q \varphi_D}{2HL_D L_Q} \\ -\frac{i_d L_D L_{mq}}{2HL_D L_Q} \\ 0 \\ 0 \\ -\frac{1}{2H} \end{bmatrix}^T \quad (4.61b)$$

Determinanta O_1 je :

$$Det(O_1) = -\frac{\omega^2 L_{md} L_Q (-L_D L_f L_{mq} + L_{md}^2 L_{mq})}{2HL_D L_Q (-L_d L_D L_f + L_d L_{md}^2 + L_D L_{md}^2 + L_f L_{md}^2 - 2L_{md}^3) (-L_{mq}^2 + L_q L_Q)} - \frac{L_{mq} R_Q (-L_f L_{md} R_D + L_{md}^2 R_D)}{2HL_D L_Q (-L_d L_D L_f + L_d L_{md}^2 + L_D L_{md}^2 + L_f L_{md}^2 - 2L_{md}^3) (-L_{mq}^2 + L_q L_Q)} \quad (4.62)$$

Odabirom sljedeće podmatrice O_2 :

$$O_2 = \begin{bmatrix} di_d \\ di_f \\ di_q \\ d\gamma \\ d(L_f i_d) \\ d(L_f i_f) \\ d(L_f \gamma) \\ d(L_f^2 \gamma) \end{bmatrix} = \begin{bmatrix} \frac{\partial L_f^0 i_d}{\partial i_d} & \frac{\partial L_f^0 i_d}{\partial i_f} & \frac{\partial L_f^0 i_d}{\partial \varphi_D} & \frac{\partial L_f^0 i_d}{\partial i_q} & \frac{\partial L_f^0 i_d}{\partial \varphi_Q} & \frac{\partial L_f^0 i_d}{\partial \omega} & \frac{\partial L_f^0 i_d}{\partial \gamma} & \frac{\partial L_f^0 i_d}{\partial T_L} \\ \frac{\partial L_f^0 i_f}{\partial i_d} & \frac{\partial L_f^0 i_f}{\partial i_f} & \frac{\partial L_f^0 i_f}{\partial \varphi_D} & \frac{\partial L_f^0 i_f}{\partial i_q} & \frac{\partial L_f^0 i_f}{\partial \varphi_Q} & \frac{\partial L_f^0 i_f}{\partial \omega} & \frac{\partial L_f^0 i_f}{\partial \gamma} & \frac{\partial L_f^0 i_f}{\partial T_L} \\ \frac{\partial L_f^0 i_q}{\partial i_d} & \frac{\partial L_f^0 i_q}{\partial i_f} & \frac{\partial L_f^0 i_q}{\partial \varphi_D} & \frac{\partial L_f^0 i_q}{\partial i_q} & \frac{\partial L_f^0 i_q}{\partial \varphi_Q} & \frac{\partial L_f^0 i_q}{\partial \omega} & \frac{\partial L_f^0 i_q}{\partial \gamma} & \frac{\partial L_f^0 i_q}{\partial T_L} \\ \frac{\partial L_f^0 \gamma}{\partial i_d} & \frac{\partial L_f^0 \gamma}{\partial i_f} & \frac{\partial L_f^0 \gamma}{\partial \varphi_D} & \frac{\partial L_f^0 \gamma}{\partial i_q} & \frac{\partial L_f^0 \gamma}{\partial \varphi_Q} & \frac{\partial L_f^0 \gamma}{\partial \omega} & \frac{\partial L_f^0 \gamma}{\partial \gamma} & \frac{\partial L_f^0 \gamma}{\partial T_L} \\ \frac{\partial L_f^1 i_d}{\partial i_d} & \frac{\partial L_f^1 i_d}{\partial i_f} & \frac{\partial L_f^1 i_d}{\partial \varphi_D} & \frac{\partial L_f^1 i_d}{\partial i_q} & \frac{\partial L_f^1 i_d}{\partial \varphi_Q} & \frac{\partial L_f^1 i_d}{\partial \omega} & \frac{\partial L_f^1 i_d}{\partial \gamma} & \frac{\partial L_f^1 i_d}{\partial T_L} \\ \frac{\partial L_f^1 i_f}{\partial i_d} & \frac{\partial L_f^1 i_f}{\partial i_f} & \frac{\partial L_f^1 i_f}{\partial \varphi_D} & \frac{\partial L_f^1 i_f}{\partial i_q} & \frac{\partial L_f^1 i_f}{\partial \varphi_Q} & \frac{\partial L_f^1 i_f}{\partial \omega} & \frac{\partial L_f^1 i_f}{\partial \gamma} & \frac{\partial L_f^1 i_f}{\partial T_L} \\ \frac{\partial L_f^1 \gamma}{\partial i_d} & \frac{\partial L_f^1 \gamma}{\partial i_f} & \frac{\partial L_f^1 \gamma}{\partial \varphi_D} & \frac{\partial L_f^1 \gamma}{\partial i_q} & \frac{\partial L_f^1 \gamma}{\partial \varphi_Q} & \frac{\partial L_f^1 \gamma}{\partial \omega} & \frac{\partial L_f^1 \gamma}{\partial \gamma} & \frac{\partial L_f^1 \gamma}{\partial T_L} \\ \frac{\partial L_f^2 \gamma}{\partial i_d} & \frac{\partial L_f^2 \gamma}{\partial i_f} & \frac{\partial L_f^2 \gamma}{\partial \varphi_D} & \frac{\partial L_f^2 \gamma}{\partial i_q} & \frac{\partial L_f^2 \gamma}{\partial \varphi_Q} & \frac{\partial L_f^2 \gamma}{\partial \omega} & \frac{\partial L_f^2 \gamma}{\partial \gamma} & \frac{\partial L_f^2 \gamma}{\partial T_L} \end{bmatrix} \quad (4.63)$$

Svi potrebni reci O_2 su prethodno poznati tako da se može odrediti determinanta matrice O_2 :

$$Det(O_2) = \frac{\omega L_{md} L_{mq} R_D}{2H L_D L_Q (-L_d L_D L_f + L_d L_{md}^2 + L_D L_{md}^2 + L_f L_{md}^2 - 2L_{md}^3)} \quad (4.64)$$

Ako se promotre obje determinante:

$Det O_1 \neq 0$, za $\omega = 0$

$Det O_2 \neq 0$, za $\omega \neq 0$

može se zaključiti da je:

$Det(O_1) \neq 0 \cup Det(O_2) \neq 0 \Rightarrow rank\{O\} = 8$.

rang matrica O je jednak redu sustava (4.57) pa je zadovoljen kriterij ranga i može se zaključiti da je sustav lokalno slabo osmotriv u svakoj točki prostora.

4.9.1.2 Osmotrivost reduciranog sustava

Za potrebe estimacije momenta tereta razmatranja se mogu obaviti na reduciranom dinamičkom sustavu kojeg tvore tri varijable stanja: kut rotora, brzina rotora te moment tereta. Ukoliko elektromagnetski moment M_e smatramo poznatom veličinom, dobije se linearni sustav trećeg reda :

$$\begin{bmatrix} \dot{\gamma} \\ \dot{\omega} \\ \dot{M}_T \end{bmatrix} = \begin{bmatrix} \omega \\ g_1 i_d i_q + g_2 i_f i_q + g_3 i_q \psi_D + g_4 i_d \psi_Q + g_5 M_T \\ 0 \end{bmatrix} \quad (4.65)$$

Sustav se može zapisati u linearnom obliku:

$$\begin{bmatrix} \dot{\gamma} \\ \dot{\omega} \\ \dot{M}_T \end{bmatrix} = \begin{bmatrix} 0 & 1 & 0 \\ 0 & 0 & g_5 \\ 0 & 0 & 0 \end{bmatrix} \begin{bmatrix} \gamma \\ \omega \\ M_T \end{bmatrix} + \begin{bmatrix} 0 & 0 & 0 \\ 0 & 1 & 0 \\ 0 & 0 & 0 \end{bmatrix} \begin{bmatrix} 0 \\ \frac{1}{2H} M_e \\ 0 \end{bmatrix} \quad (4.66)$$

Izlazne veličine su kut i brzina rotora:

$$\begin{bmatrix} y_1 \\ y_2 \end{bmatrix} = \begin{bmatrix} x_1 \\ x_2 \end{bmatrix} = \begin{bmatrix} 1 & 0 & 0 \\ 0 & 1 & 0 \end{bmatrix} \begin{bmatrix} x_1 \\ x_2 \\ x_3 \end{bmatrix} \quad (4.67)$$

Isto tako, sustav se može skraćeno zapisati:

$$\dot{X} = FX + GU \quad (4.68a)$$

$$Y = CX \quad (4.68b)$$

gdje su:

$$X = \begin{bmatrix} \gamma \\ \omega \\ M_T \end{bmatrix}; F = \begin{bmatrix} 0 & 1 & 0 \\ 0 & 0 & g_5 \\ 0 & 0 & 0 \end{bmatrix}; G = \begin{bmatrix} 0 & 0 & 0 \\ 0 & 1 & 0 \\ 0 & 0 & 0 \end{bmatrix}; U = \begin{bmatrix} 0 \\ \frac{1}{2H} M_e \\ 0 \end{bmatrix}; C = \begin{bmatrix} 1 & 0 & 0 \\ 0 & 1 & 0 \end{bmatrix}$$

Sukladno osmotrivosti linearnih sustava, za provjeru osmotrivosti potrebno je izračunati CF te CFF:

$$CF = \begin{bmatrix} 1 & 0 & 0 \\ 0 & 1 & 0 \end{bmatrix} \begin{bmatrix} 0 & 1 & 0 \\ 0 & 0 & g_5 \\ 0 & 0 & 0 \end{bmatrix} = \begin{bmatrix} 0 & 1 & 0 \\ 0 & 0 & g_5 \end{bmatrix} \quad (4.69a)$$

$$CFF = \begin{bmatrix} 0 & 1 & 0 \\ 0 & 0 & g_5 \end{bmatrix} \begin{bmatrix} 0 & 1 & 0 \\ 0 & 0 & 1 \\ 0 & 0 & 0 \end{bmatrix} = \begin{bmatrix} 0 & 0 & g_5 \\ 0 & 0 & 0 \end{bmatrix} \quad (4.69b)$$

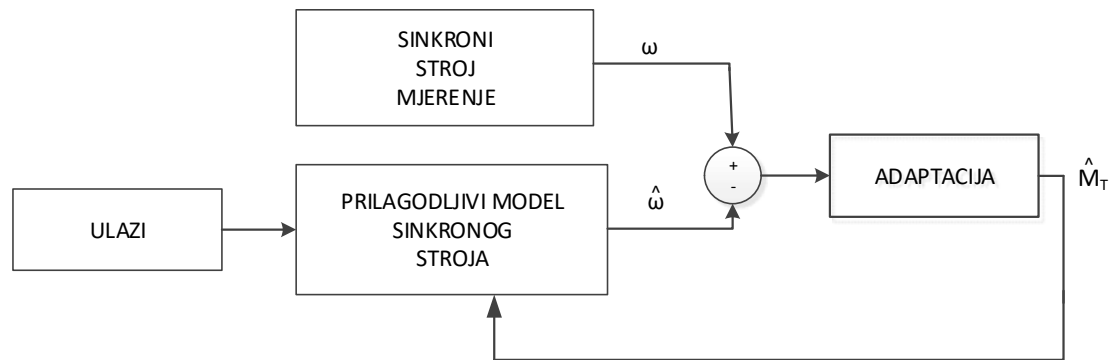
zatim se može izraditi matrica osmotrivosti

$$O = \begin{bmatrix} C \\ CF \\ CF^2 \end{bmatrix} = \begin{bmatrix} 1 & 0 & 0 \\ 0 & 1 & 0 \\ 0 & 0 & g_5 \\ 0 & 0 & g_5 \\ 0 & 0 & 0 \end{bmatrix} \quad (4.70)$$

Budući je matrica (4.70) punog reda, može se zaključiti da je i reducirani sustav osmotriv.

4.9.2 Observer s MRAS sustavom

Usporedbom mjerene i estimirane vrijednosti derivacije brzine vrtnje načinjen je adaptacijski sustav zasnovan na modelu (eng. *model reference adaptive system -MRAS*) koji rezultira estimacijom momenta tereta. Princip korištenog MRAS sustava je prikazana na slici 4.4.



Slika 4.4 Princip MRAS-a za estimaciju momenta tereta

Promatrani reducirani sustav je:

$$\begin{bmatrix} \dot{Y} \\ \dot{\omega} \end{bmatrix} = \begin{bmatrix} \omega \\ g_5 M_T + \frac{1}{2H} M_e \end{bmatrix} \quad (4.71a)$$

Zatim se uspostavi observer:

$$\begin{bmatrix} \dot{\hat{Y}} \\ \dot{\hat{\omega}} \end{bmatrix} = \begin{bmatrix} \hat{\omega} \\ g_5 \hat{M}_T + \frac{1}{2H} M_e \end{bmatrix} \quad (4.71b)$$

Referentni (4.71a) i adaptirani (4.71b) sustavi se mogu zapisati u formi linearnih sustava:

$$[\dot{X}] = [A][X] + [B][U] + [D];$$

$$[\dot{\hat{X}}] = [A][\hat{X}] + [B][U] + [\hat{D}];$$

gdje su:

$$A = \begin{bmatrix} 0 & 1 \\ 0 & 0 \end{bmatrix}; BU = \begin{bmatrix} 0 \\ \frac{1}{2H} M_e \end{bmatrix}; D = \begin{bmatrix} 0 \\ g_5 M_T \end{bmatrix}$$

Oduzimanjem (4.71a) od (4.71b) dobije se dinamika pogreški:

$$[\dot{\varepsilon}] = [A][\varepsilon] - [W] \quad (4.71c)$$

gdje su:

$$\varepsilon = \begin{bmatrix} \varepsilon_\gamma \\ \varepsilon_\omega \end{bmatrix} = \begin{bmatrix} \gamma - \hat{\gamma} \\ \omega - \hat{\omega} \end{bmatrix}; W = \begin{bmatrix} 0 \\ g_5 \end{bmatrix} (M_T - \widehat{M}_T)$$

Izraz (4.71c) se može zapisati:

$$\begin{bmatrix} \dot{\varepsilon}_\gamma \\ \dot{\varepsilon}_\omega \end{bmatrix} = \begin{bmatrix} 0 & 1 \\ 0 & 0 \end{bmatrix} \begin{bmatrix} \varepsilon_\gamma \\ \varepsilon_\omega \end{bmatrix} - \begin{bmatrix} 0 \\ g_5 (M_T - \widehat{M}_T) \end{bmatrix} \quad (4.71d)$$

Prema Popovom kriteriju stabilnosti za ostvarivanje stabilnosti potrebno je zadovoljiti sljedeći uvjet:

$$\int_0^t [\varepsilon]^T [W] dt \geq -\gamma_0^2 \quad (4.72a)$$

pri kojem su $t \geq 0, \gamma_0 \geq 0$.

Zatim uvjet stabilnosti (4.72a) uvrštavanjem postaje :

$$\int_0^t [\varepsilon_\gamma \ \varepsilon_\omega] \begin{bmatrix} 0 \\ g_5 (M_T - \widehat{M}_T) \end{bmatrix} \geq -\gamma_0^2 \quad (4.72b)$$

$$\int_0^t \varepsilon_\omega g_5 (M_T - \widehat{M}_T) \geq -\gamma_0^2 \quad (4.72c)$$

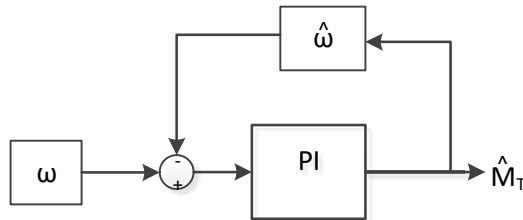
Sukladno literaturi [41-43] evidentno je da je nejednakost zadovoljena za:

$$\widehat{M}_T = \widehat{M}_T(0) + k_p \left[\varepsilon_\omega \frac{1}{2H} \right] + k_i \int_0^t \left[\varepsilon_\omega \frac{1}{2H} \right] dt \quad (4.73)$$

Budući je uzeto u obzir da je u (4.72c) koeficijent $g_5 = \frac{1}{2H}$.

Stabilnost estimacije se postiže [41] uz pozitivne vrijednosti proporcionalnog i integralnog koeficijenta.

Realizacija MRAS sustava korištenjem mjerene brzine rotora je prikazana na slici 4.5.



Slika 4.5 MRAS za estimaciju momenta tereta korištenjem brzine rotora

Izračun estimirane brzine vrtnje se može obaviti pomoću izraza:

$$\hat{\omega} = M_e + g_5 \widehat{M}_T \quad (4.74)$$

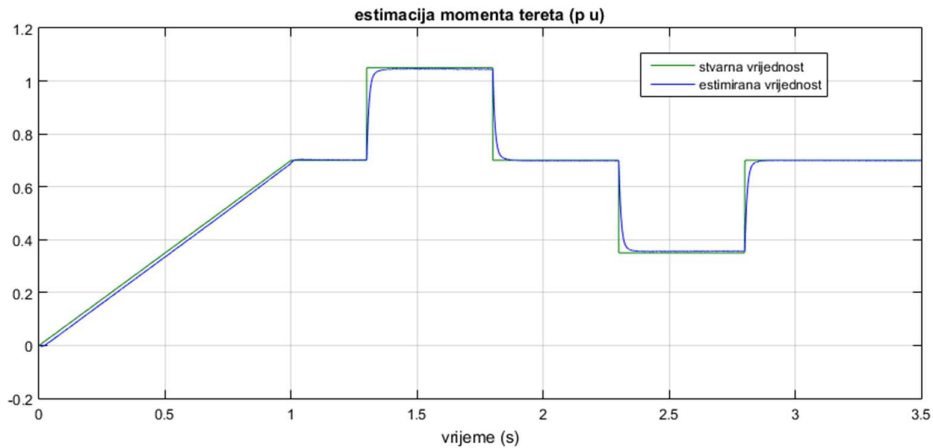
gdje je elektromagnetski moment:

$$M_e = g_1 i_d i_q + g_2 i_f i_q + g_3 i_q \psi_D + g_4 i_d \psi_Q \quad (4.74b)$$

ili

$$M_e = \frac{u_d i_d + u_q i_q}{\omega} \quad (4.74c)$$

Simulacijom je provjeren rad observera pri linearnom povećanju momenta opterećenja te skokovitim promjenama. Rezultat je prikazan na slici 4.6.



Slika 4.6 Estimacija momenta tereta za *MRAS* observer

4.9.3 Linearni Gopinathov observer

Obzirom na sustav izveden u (4.65) može se izraditi reducirani observer prema Gopinathovoj metodi [44]. Na sličan način su izrađeni observeri za estimaciju momenta tereta i kod drugih strojeva [45-46]. Budući da su varijable brzine odnosno kuta rotora mjerljive veličine, a moment tereta nije mjerljiva veličina sustav (4.65) se najprije zapisuje:

$$\begin{bmatrix} \dot{x}_1 \\ \dot{x}_2 \end{bmatrix} = \begin{bmatrix} 0 & 1 \\ 0 & 0 \end{bmatrix} \begin{bmatrix} x_1 \\ x_2 \end{bmatrix} + \begin{bmatrix} 0 \\ -\frac{1}{2H} \end{bmatrix} x_3 + \begin{bmatrix} 0 & 0 \\ 0 & \frac{1}{2H} \end{bmatrix} \begin{bmatrix} U_1 \\ U_2 \end{bmatrix} \quad (4.75)$$

$$\dot{x}_3 = 0 \quad (4.76)$$

ili skraćeno:

$$x_{1,2} = F_{11} x_{1,2} + F_{12} x_3 + G_1 U \quad (4.77)$$

$$\dot{x}_3 = F_{21} x_{1,2} + F_{22} x_3 + G_3 U_3 \quad (4.78)$$

gdje su:

$$\begin{bmatrix} x_1 \\ x_2 \end{bmatrix} = \begin{bmatrix} Y \\ \omega \end{bmatrix}; x_3 = M_T; F_{11} = \begin{bmatrix} 0 & 1 \\ 0 & 0 \end{bmatrix}; F_{12} = \begin{bmatrix} 0 \\ -\frac{1}{2H} \end{bmatrix}; F_{21} = \begin{bmatrix} 0 & 0 \end{bmatrix}; F_{22} = \begin{bmatrix} 0 \end{bmatrix};$$

$$G_1 = \begin{bmatrix} 0 & 0 \\ 0 & \frac{1}{2H} \end{bmatrix}; G_3 = \begin{bmatrix} 0 \end{bmatrix}; U = \begin{bmatrix} U_1 \\ U_2 \end{bmatrix}; U_1 = 0; U_2 = [M_e]; U_3 = \begin{bmatrix} 0 \end{bmatrix}$$

Stabilnost se postiže uvođenjem konvergencijske matrice L sa koeficijentima koji zadovoljavaju nejednadžbu:

$$F_{22} - LF_{12} < 0$$

Pri kojem je $L = [L_1 \quad L_2]$

Koja za navedeni sustav poprima oblik:

$$0 - [L_1 \quad L_2] \begin{bmatrix} 0 \\ 1 \\ -\frac{1}{2H} \end{bmatrix} < 0$$

Ukoliko se uvrste sljedeći konvergencijskih koeficijenata:

$$L_1 = 0; L_2 = -40H$$

postiže se stabilnost:

$$\dot{\hat{x}}_3 = -20\hat{x}_3$$

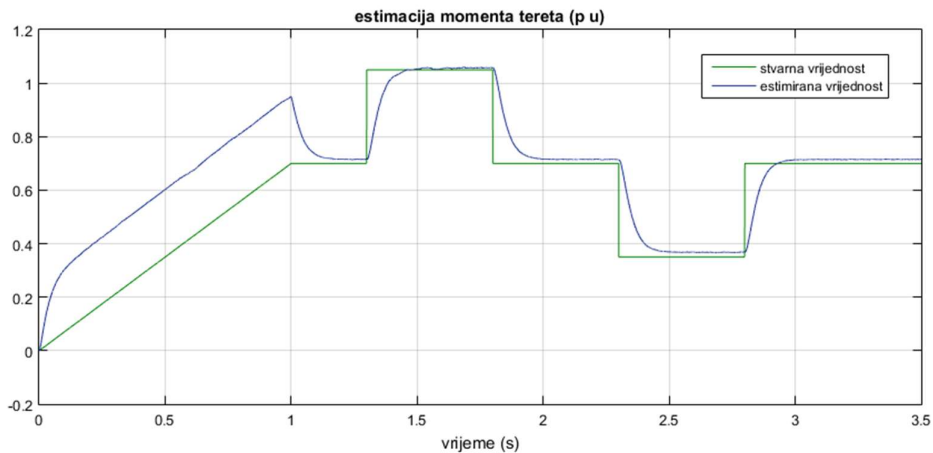
Izvođenje observera momenta tereta je obavljeno prema Gopinathu [44]:

$$\dot{\hat{x}}_3 = (F_{22} - LF_{12})\hat{x}_3 - LF_{11}x_{1,2} - LG_1U + LG_3U_3 + F_{21}x_{1,2} + L\dot{x}_{1,2} \quad (4.79)$$

U samoj izradi observera vidljivo je da se zadnji član izraza (4.79) može zapisati izvan integrala kao $x_{1,2}$. Tako se uvrštavanjem dobije konačni izraz (4.80) za observer:

$$\hat{x}_3 = -40Hx_2 - \int (20\hat{x}_3 - 20M_e) dt \quad (4.80)$$

Simulacijom je provjeren rad observera pri linearnom povećanju momenta opterećenja te skokovitim promjenama. Rezultat je prikazan na slici 4.7.



4.7 Estimacija momenta tereta za Gopinathov observer

4.9.4 Luenbergerov reducirani observer

Estimacija momenta se može obaviti i postavljanjem Luenbergerovog reduciranog observera. Sustav koji se promatra je:

$$\begin{bmatrix} \dot{\omega} \\ \dot{M}_T \end{bmatrix} = \begin{bmatrix} \frac{1}{2H} M_e + g_5 M_T \\ 0 \end{bmatrix} \quad (4.81)$$

Obzirom na (4.81), može se postaviti sljedeći observer:

$$\begin{bmatrix} \dot{\hat{\omega}} \\ \dot{\hat{M}}_T \end{bmatrix} = \begin{bmatrix} \frac{1}{2H} M_e + g_5 \hat{M}_T + k_1(\omega - \hat{\omega}) \\ k_2(\omega - \hat{\omega}) \end{bmatrix} \quad (4.82)$$

Oduzimanjem (4.81) i (4.82) dobije se dinamika pogreški:

$$\begin{bmatrix} \dot{\varepsilon}_\omega \\ \dot{\varepsilon}_M \end{bmatrix} = \begin{bmatrix} -g_5 \varepsilon_M - k_1 \varepsilon_\omega \\ -k_2 \varepsilon_\omega \end{bmatrix}$$

Dokaz stabilnosti izveden je prema Lyapunovljevoj pozitivno definiranoj funkciji:

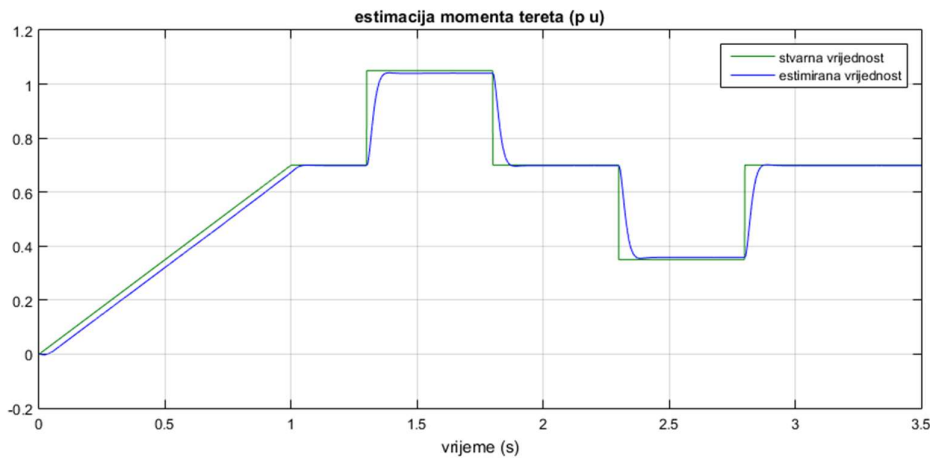
$$V_1 = \frac{e_\omega^2}{2} + \frac{e_M^2}{2} \quad (4.83)$$

Derivacijom (4.83) se dobije:

$$\dot{V}_1 = -g_5 \varepsilon_\omega \varepsilon_M - k_1 e_\omega^2 - k_2 \varepsilon_\omega \varepsilon_M \quad (4.84)$$

Za koeficijente $k_2 = -g_5$; $k_1 > 0$, derivacija Lyapunovljeve funkcije (4.83) je negativno definitna (5.84) te je prema Lyapunovu dokazana stabilnost.

Simulacijom je provjeren rad observera pri linearnom povećanju momenta opterećenja te skokovitim promjenama. Rezultat je prikazan na slici 4.8.



4.8 Estimacija momenta tereta za Luenbergerov observer

4.10 Zaključak

Izrađeni su observeri stanja sinkronog stroja pomoću kojih se mogu spoznati stanja u prigušnom namotu. Iz strujnog modela stroja su izvedeni observeri struja prigušnih namota. Iz modela stroja s prigušnim tokovima su izvedeni observeri prigušnih tokova. Observeri prigušnih tokova su od osobitog značaja jer se mogu izvesti u reduciranom obliku, a i ostavljaju prostor za adaptaciju otpora statorskog i rotorskog namota.

Uz navedene observe stanja, izrađeni su i estimatori momenta tereta te je njihov rad ispitan simulacijama. Dobre rezultate pokazuju estimator zasnovan na modelu (*MRAS*) te Luenbergerov reducirani observer. Zbog najmanjih odstupanja u nastavku će se koristiti *MRAS* observer momenta opterećenja.

5 IZRADA SUSTAVA UPRAVLJANJA

5.1 Linearizacija u povratnoj vezi

Općenito se može reći da se tehnikom linearizacije u povratnoj vezi ostvaruje pretvorba kompleksnog dinamičkog sustava u jednostavniji. Pojednostavljenje se ostvaruje transformacijom u novi sustav. U literaturi [47-49] je predstavljena potpuna linearizacija koja se često naziva i linearizacija ulaz-stanje (eng. *Input-state linearization*). U navedenoj literaturi je naveden i teorem involutivnosti koji je uvjet za realizaciju potpune linearizacije.

Najveći problem potpune linearizacije je nemogućnost primjene kod brojnih dinamičkih sustava. Zbog toga se linearizacija u povratnoj vezi može realizirati parcijalno, metodom linearizacija ulaz-izlaz (eng. *Input-output linearization*).

5.1.1 Princip linearizacije ulaz-izlaz

Osnovna ideja ove tehnike je ostvarenje linearne povezanosti između ulaza i izlaza. Nakon toga se uspostavlja zakon upravljanja na bilo kojem linearnom principu. Povezivanje ulaza s izlazom se ostvaruje derivacijom izlaza r puta sve dok se ne ostvari eksplicitna veza između izlaza i ulaza. Broj derivacija r je zapravo relativni stupanj sustava. Ukoliko je relativni stupanj jednak redu sustava, sustav se može potpuno linearizirati varijablama:

$y, \dot{y}, \dots, y^{n-1}$ odnosno linearizacija ulaz-izlaz postaje linearizacija ulaz-stanje.

Povezivanjem ulaza s izlazom pri $r < n$, dio dinamike ostaje neobuhvaćen linearizacijom. Taj dio dinamike sustava se naziva unutarnjom dinamikom [50] (*Internal dynamics*) i on je osnovna poteškoća pri stvaranju ispravnog sustava upravljanja korištenjem ove metode.

Nakon što se utvrdi postojanje unutarnje dinamike istu je potrebno analizirati. Ako se analizom utvrdi da je unutarnja dinamika nestabilna, neće biti moguće jednostavno izraditi upravljanje ovom metodom.

5.2 Provjera mogućnosti linearizacije u povratnoj vezi sustava sinkronog stroja

Provjera mogućnosti linearizacije kao i izvod zakona upravljanja koji je obavljen u narednom poglavlju se odnose na opis sinkronog stroja pomoću magnetskih tokova prigušnih namota (4.32),(4.33). Isto je izraženo i za opis sinkronog stroja pomoću struja prigušnog namota (4.5),(4.6), ali nije prikazano u ovom radu.

Obavljena je provjera mogućnosti potpune linearizacije dinamičkog sustava (4.32) zapisanog u sljedećem obliku:

$$\begin{bmatrix} \dot{i}_d \\ \dot{i}_f \\ \dot{\psi}_D \\ \dot{i}_q \\ \dot{\psi}_Q \\ \dot{\omega} \end{bmatrix} = f + g_A u_d + g_B u_f + g_C u_q \quad (5.1)$$

gdje su:

$$f = \begin{bmatrix} a_1 i_d + a_2 i_f + a_3 i_q \omega + a_4 \psi_D + a_5 \psi_Q \omega \\ b_1 i_d + b_2 i_f + b_3 i_q \omega + b_4 \psi_D + b_5 \psi_Q \omega \\ c_1 i_d + c_2 i_f + c_3 \psi_D \\ d_1 i_q + d_2 i_d \omega + d_3 i_f \omega + d_4 \omega \psi_D + d_5 \psi_Q \\ f_1 i_q + f_2 \psi_Q \\ g_1 i_d i_q + g_2 i_f i_q + g_3 i_q \psi_D + g_4 i_d \psi_Q + g_5 M_T \\ \omega \\ 0 \end{bmatrix}$$

$$g_A = \begin{bmatrix} a_6 \\ b_6 \\ 0 \\ 0 \\ 0 \\ 0 \end{bmatrix}; g_B = \begin{bmatrix} a_7 \\ b_7 \\ 0 \\ 0 \\ 0 \\ 0 \end{bmatrix}; g_C = \begin{bmatrix} 0 \\ 0 \\ 0 \\ d_6 \\ 0 \\ 0 \end{bmatrix}$$

Prema teoremu o involuciji može se provjeriti involutivnost vektorskog polja:

Odaberu se N indeksi koji zadovoljavaju:

$$m = n_1 \geq n_2 \geq n_3 \geq \dots \geq n_N \text{ s tim da je } \sum_{i=1}^N n_i = n$$

Budući je;

$$n_1 = m = 3$$

$$n_2 = 3, \text{ da bi se zadovoljio uvjet } \sum_{i=1}^N n_i = n_1 + n_2 = 3 + 3 = 6.$$

Dakle, prema teoremu vektorska polja:

$$D_1 = \{g_1\}$$

$$D_m = \{g_1, g_2, g_3\}$$

$$D_{m+n_2} = \{D_m; ad_f g_1, \dots, ad_f g_{n_2}\}$$

svi trebaju biti involucije. Ključno je provjeriti vektorsko polje od najviše elemenata jer se kod njega najteže ostvaruje involutivnost.

To znači da treba provjeriti je li distribucija (5.2) zadovoljava uvjete involucije:

$$\text{span}\{g_A, g_B, g_C; ad_f g_A, ad_f g_B, ad_f g_C\} \quad (5.2)$$

Najprije se izračunaju $ad_f g_A$ te $ad_f g_C$:

$$ad_f g_A = \begin{bmatrix} a_1 a_6 + a_2 b_6 \\ b_1 a_6 + b_2 b_6 \\ c_1 a_6 + c_2 b_6 \\ d_2 \omega a_6 + d_3 \omega b_6 \\ 0 \\ a_6 (g_1 i_q + g_4 \psi_Q) + g_2 i_q b_6 \end{bmatrix};$$

$$\text{ad}_f g_C = \begin{bmatrix} a_3 \omega d_6 \\ b_3 \omega d_6 \\ 0 \\ d_1 d_6 \\ f_1 d_6 \\ d_6 (g_1 i_d + g_2 i_f + g_3 \varphi_d) \end{bmatrix}$$

Pomoću $\text{ad}_f g_A$ te $\text{ad}_f g_C$ može se izračunati i $[\text{ad}_f g_A, \text{ad}_f g_C]$:

$$[\text{ad}_f g_A, \text{ad}_f g_C] = \begin{bmatrix} a_3 d_6 [a_6 (g_1 i_q + g_4 \varphi_Q) + g_2 i_q b_6] \\ 0 \\ 0 \\ -d_1 d_6 (d_2 a_6 + d_3 b_6) \\ 0 \\ d_6 g_1 (a_1 a_6 + a_2 b_6) + d_6 g_2 (b_1 a_6 + b_2 b_6) + d_6 g_3 (c_1 a_6 + c_2 b_6) - d_1 d_6 (a_6 g_1 + b_6 g_2) - f_1 d_6 a_6 g_4 \end{bmatrix}$$

Može se zaključiti da distribucija (5.2) nije involucija jer $[\text{ad}_f g_A, \text{ad}_f g_C]$ je vektor linearno neovisan o ostalim vektorima iz distribucije. Zbog toga potpunu linearizaciju sustava sinkronog stroja nije moguće obaviti pa će se koristiti ulazno-izlazna linearizacija.

5.3 Izvod zakona upravljanja ulazno-izlaznom linearizacijom

Budući da su observerom punog reda obuhvaćena sva stanja stroja, daljnja analiza se može obaviti i s observiranim veličinama.

Uspostavljen je slijedni sustav upravljanja dvama izlaznim veličinama, brzinom rotora i kvadratom ukupnog magnetskog toka statora. Korištenjem Lie algebre izveden je zakon upravljanja prema kojem se navedenim izlazima upravlja razdvojeno.

Izlazne varijable su brzina rotora i kvadrat statorskog magnetskog toka $\hat{\omega}, \hat{\psi}_s^2 = \hat{\psi}_d^2 + \hat{\psi}_q^2$.

ψ_d, ψ_q su magnetski tokovi statora za razliku od magnetskih tokova prigušnih namota ψ_D, ψ_Q koji su varijable stanja.

Derivacijom prvog izlaza se dobije:

$$\hat{\omega} = g_1 i_d i_q + g_2 i_f i_q + g_3 i_q \hat{\varphi}_D + g_4 i_d \hat{\varphi}_Q + g_5 M_T + k_{64} e_6 \quad (5.3)$$

koja se može zapisati i kao:

$$\hat{\omega} = \hat{h}_{11} + g_5 M_T + \Delta \quad (5.4)$$

gdje su:

$$\hat{h}_{11} = g_1 i_d i_q + g_2 i_f i_q + g_3 i_q \hat{\varphi}_D + g_4 i_d \hat{\varphi}_Q \quad (5.5)$$

$$\Delta = k_{64} e_4 \quad (5.6)$$

Budući da se deriviranjem (5.3) nije pojavila niti jedna ulazna varijabla, potrebno je derivirati dodatnu izlaznu varijablu, elektromagnetski moment h_{11} danu izrazom (5.5).

Derivacije izlaza h_{11} , $\widehat{\psi}_s^2$ su dane izrazima:

$$\dot{\widehat{h}}_{11} = L_f \widehat{h}_{11} + L_{g1} \widehat{h}_{11} u_d + L_{g2} \widehat{h}_{11} u_q \quad (5.7)$$

$$\dot{\widehat{\psi}}_s^2 = L_f \widehat{\psi}_s^2 + L_{g1} \widehat{\psi}_s^2 u_d + L_{g2} \widehat{\psi}_s^2 u_q \quad (5.8)$$

Dinamički sustav izlaza je dan:

$$\begin{bmatrix} \dot{\widehat{\omega}} \\ \dot{\widehat{h}}_{11} \\ \dot{\widehat{\psi}}_s^2 \end{bmatrix} = \begin{bmatrix} \widehat{h}_{11} + g_5 M_T + \Delta \\ L_f \widehat{h}_{11} + L_{g1} \widehat{h}_{11} u_d + L_{g2} \widehat{h}_{11} u_q \\ L_f \widehat{\psi}_s^2 + L_{g1} \widehat{\psi}_s^2 u_d + L_{g2} \widehat{\psi}_s^2 u_q \end{bmatrix} \quad (5.9)$$

s posljednja dva izlaza je moguće izravno upravljati:

$$\begin{bmatrix} \dot{\widehat{h}}_{11} \\ \dot{\widehat{\psi}}_s^2 \end{bmatrix} = \begin{bmatrix} L_f \widehat{h}_{11} \\ L_f \widehat{\psi}_s^2 \end{bmatrix} + G \begin{bmatrix} u_d \\ u_q \end{bmatrix} \quad (5.10)$$

gdje je G matrica razdvajanja:

$$G = \begin{bmatrix} L_{g1} \widehat{h}_{11} & L_{g2} \widehat{h}_{11} \\ L_{g1} \widehat{\psi}_s^2 & L_{g2} \widehat{\psi}_s^2 \end{bmatrix} \quad (5.11)$$

Sada se može definirati zakon upravljanja:

$$\begin{bmatrix} u_d \\ u_q \end{bmatrix} = G^{-1} \begin{bmatrix} -L_f \widehat{h}_{11} - k_{p1} e_8 + \dot{h}_{11ref} - e_7 \\ -L_f \widehat{\psi}_s^2 - k_{p2} e_9 + \dot{\psi}_{sref}^2 \end{bmatrix} \quad (5.12)$$

Gdje su odstupanja od referentnih veličina:

$$e_7 = \widehat{\omega} - \omega_{ref}; e_8 = \widehat{h}_{11} - h_{11ref}; e_9 = \widehat{\psi}_s^2 - \psi_{sref}^2$$

Ako se h_{11ref} definira:

$$h_{11ref} = \dot{\omega}_{ref} - g_5 M_T - k_{p0} e_7 - \Delta \quad (5.13)$$

Uvrštavanjem (5.11) u (5.12) dobije se:

$$\begin{bmatrix} \dot{\widehat{h}}_{11} \\ \dot{\widehat{\psi}}_s^2 \end{bmatrix} = \begin{bmatrix} L_f \widehat{h}_{11} \\ L_f \widehat{\psi}_s^2 \end{bmatrix} + G G^{-1} \begin{bmatrix} -L_f \widehat{h}_{11} - k_{p1} e_8 + \dot{h}_{11ref} - e_7 \\ -L_f \widehat{\psi}_s^2 - k_{p2} e_9 + \dot{\psi}_{sref}^2 \end{bmatrix} \quad (5.14a)$$

$$\begin{bmatrix} \dot{\widehat{h}}_{11} \\ \dot{\widehat{\psi}}_s^2 \end{bmatrix} = \begin{bmatrix} L_f \widehat{h}_{11} - L_f \widehat{h}_{11} - k_{p1} e_8 + \dot{h}_{11ref} - e_7 \\ L_f \widehat{\psi}_s^2 - L_f \widehat{\psi}_s^2 - k_{p2} e_9 + \dot{\psi}_{sref}^2 \end{bmatrix} \quad (5.14b)$$

$$\begin{bmatrix} \dot{\widehat{h}}_{11} - \dot{h}_{11ref} \\ \dot{\widehat{\psi}}_s^2 - \dot{\psi}_{sref}^2 \end{bmatrix} = \begin{bmatrix} -k_{p1} e_8 - e_7 \\ -k_{p2} e_9 \end{bmatrix} \quad (5.14c)$$

Dakle, dinamike odstupanja e_8 te e_9 su dane u izrazu (5.14c).

Zatim je potrebno izraziti i dinamiku odstupanja e_7 tako da se za $\dot{\omega}$ koristi prvi redak izraza (5.9), a $\dot{\omega}_{ref}$ se dobije prema izrazu (5.13):

$$\dot{\omega} - \dot{\omega}_{ref} = \hat{h}_{11} + g_5 M_T + \Delta - h_{11ref} - g_5 M_T - k_{p0} e_7 - \Delta \quad (5.15a)$$

$$\dot{\omega} - \dot{\omega}_{ref} = e_8 - k_{p0} e_7 \quad (5.15b)$$

Koristeći izraze (5.15b) te (5.14c) dobije se dinamika odstupanja od referenci:

$$\begin{bmatrix} \dot{e}_7 \\ \dot{e}_8 \\ \dot{e}_9 \end{bmatrix} = \begin{bmatrix} \dot{\omega} - \dot{\omega}_{ref} \\ \hat{h}_{11} - h_{11ref} \\ \hat{\psi}_s^2 - \psi_{sref}^2 \end{bmatrix} = \begin{bmatrix} e_8 - k_{p0} e_7 \\ -k_{p1} e_8 - e_7 \\ -k_{p2} e_9 \end{bmatrix} \quad (5.16)$$

Iz (5.16) je vidljivo da se ostvarilo razdvojeno upravljanje elektromagnetskim momentom i magnetskim tokom jer se konvergencija ostvaruje neovisno:

- Konvergencija brzine rotora (elektromagnetskog momenta) pomoću k_{p0} , k_{p1}
- Konvergencije kvadrata statorskog toka pomoću k_{p2}

5.4 Stabilnost sustava upravljanja

Ukoliko se pretpostavi pozitivno definitna Lyapunovljeva funkcija za odstupanja od referentnih veličina:

$$V_2 = \frac{e_7^2}{2} + \frac{e_8^2}{2} + \frac{e_9^2}{2} \quad (5.17)$$

Derivacija Lyapunovljeve funkcije je :

$$\dot{V}_2 = e_7 \dot{e}_7 + e_8 \dot{e}_8 + e_9 \dot{e}_9 \quad (5.18)$$

Uvrštavajući izraz (5.16), dobije se:

$$\begin{aligned} \dot{V}_2 &= e_7 e_8 - k_{p0} e_7^2 - k_{p1} e_8^2 - e_7 e_8 - k_{p2} e_9^2 \\ \dot{V}_2 &= -k_{p0} e_7^2 - k_{p1} e_8^2 - k_{p2} e_9^2 \end{aligned}$$

Korištenjem pozitivnih vrijednosti za koeficijente k_{p0} , k_{p1} te k_{p2} , derivacija od V_2 postaje negativno definitna i dokazana je globalno uniformna asimptotska stabilnost zakona upravljanja prema Lyapunovljevoj direktnoj metodi.

5.4.1 Stabilnost ukupnog sustava

Budući da se sustav upravljanja sastoji od observera i zakona upravljanja, može se promatrati i stabilnost cjelokupnog sustava upravljanja.

Obje funkcije V_1 , iz poglavlje 4. izraz (4.44), te V_2 , prema izrazu (5.18), su stabilne prema Lyapunovu pa se može zaključiti i da je dinamika cjelokupnog sustava $V_1 + V_2$ stabilna prema Lyapunovu. Odnosno sustav je globalno asimptotski stabilan.

5.4.2 Stabilnost prema nelinearnoj teoriji

Budući da nije moguće obaviti potpunu linearizaciju, prema nelinearnoj teoriji nije moguće dokazati globalnu stabilnost. Matrica razdvajanja G (5.11) za postizanje globalne stabilnosti

nužno treba biti globalno invertibilna odnosno njezina determinanta ne smije nikako biti nula. Ako se promotri determinanta matrice G :

$$Det(G) = m_1 i_d \psi_d + m_2 i_q \psi_q - m_3 \psi_d^2 - m_4 \psi_q^2 \quad (5.19)$$

Uvrštavajući parametre korištenog stroja manje snage (SM1) determinanta postaje :

$$Det(G) = 7.11 i_d \psi_d + 7.11 i_q \psi_q - 34.3 \psi_d^2 - 50.8 \psi_q^2 \quad (5.20)$$

Prva dva člana izraza (5.20) nije moguće eliminirati i teoretski dokazati globalnu stabilnost međutim, držanjem napona uzbude na konstantnu nazivnu vrijednost se praktično osigurava invertibilnost matrice.

5.4.3 Unutarnja dinamika

Obaviti će se provjera relativnog stupnja prema razmatranjima iz [48-49]. Zadani sustav je *Multi Input Multi Output* sustav sa dvije izlazne veličine, dakle trebaju se provjeriti dva podrelativna stupnja.

5.4.3.1 Podrelativan stupanj r_I za prvi izlaz (ω)

Jedino se u nultoj iteraciji $L_g L_f^0 \omega$ prvog izlaza usmjerene derivacije jednake nuli.

$$L_{g_A} L_f^0 \omega = L_{g_A} \omega = \frac{\partial \omega}{\partial x} g_A(x) = \begin{bmatrix} 0 \\ 0 \\ 0 \\ 0 \\ 0 \\ 1 \end{bmatrix}^T \begin{bmatrix} a_6 \\ b_6 \\ 0 \\ 0 \\ 0 \\ 0 \end{bmatrix} = 0 \quad (5.21a)$$

$$L_{g_B} L_f^0 \omega = L_{g_B} \omega = \frac{\partial \omega}{\partial x} g_B(x) = \begin{bmatrix} 0 \\ 0 \\ 0 \\ 0 \\ 0 \\ 1 \end{bmatrix}^T \begin{bmatrix} a_7 \\ b_7 \\ 0 \\ 0 \\ 0 \\ 0 \end{bmatrix} = 0 \quad (5.21b)$$

$$L_{g_C} L_f^0 \omega = L_{g_C} \omega = \frac{\partial \omega}{\partial x} g_C(x) = \begin{bmatrix} 0 \\ 0 \\ 0 \\ 0 \\ 0 \\ 1 \end{bmatrix}^T \begin{bmatrix} 0 \\ 0 \\ 0 \\ d_6 \\ 0 \\ 0 \end{bmatrix} = 0 \quad (5.21c)$$

U prvoj iteraciji $L_g L_f^1 \omega$ prvog izlaza usmjerene derivacije nisu jednake nuli :

$$L_{g_A} L_f^1 \omega = L_{g_A} L_f \omega = \frac{\partial L_f \omega}{\partial x} g_A(x) = \begin{bmatrix} g_1 i_q + g_4 \psi_Q \\ g_2 i_q \\ g_3 i_q \\ g_1 i_d + g_2 i_f + g_3 \psi_D \\ g_4 i_d \\ 0 \end{bmatrix}^T \begin{bmatrix} a_6 \\ b_6 \\ 0 \\ 0 \\ 0 \\ 0 \end{bmatrix} \neq 0 \quad (5.22)$$

Može se zaključiti da podrelativni stupanj r_1 za izlaz ω ne može biti veći od dva.

5.4.3.2 Podrelativan stupanj r_2 za drugi izlaz (ψ_s^2)

Koristeći izraze za statorske tokove (4.2) može se izraziti druga izlazna veličina; kvadrat ukupnog statorskog toka:

$$\psi_s^2 = \frac{1}{L_D^2} (i_d L_d L_D + i_f L_D L_{md} - i_d L_{md}^2 - i_f L_{md}^2 + L_{md} \varphi_D)^2 + \frac{1}{L_Q^2} (-i_q L_{mq}^2 + i_q L_q L_Q + L_{mq} \varphi_Q)^2 \quad (5.23)$$

Podrelativni stupnja r_2 za drugi izlaz (ψ_s^2) ne može biti veći od jedan jer već u nultoj iteraciji usmjerene derivacije nisu jednake nuli :

$$L_{g_A} L_f^0 \psi_s^2 = L_{g_A} \psi_s^2 = \frac{\partial \psi_s^2}{\partial x} g_A(x) = \begin{bmatrix} \frac{2(L_d L_D - L_{md}^2)[i_d(L_d L_D - L_{md}^2) + L_{md}(i_f(L_D - L_{md}) + \varphi_D)]}{L_D^2} \\ \frac{2L_{md}(L_D - L_{md})[i_d(L_d L_D - L_d) + L_{md}(i_f(L_D - L_{md}) + \varphi_D)]}{L_D^2} \\ \frac{2L_{md}[i_d(L_d L_D - L_{md}^2) + L_{md}(i_f(L_D - L_{md}) + \varphi_D)]}{L_D^2} \\ \frac{2(-L_{mq}^2 + L_q L_Q)[(-i_q L_{mq}^2 + i_q L_q L_Q + L_{mq} \varphi_Q)]}{L_Q^2} \\ \frac{2L_{mq}[(-i_q L_{mq}^2 + i_q L_q L_Q + L_{mq} \varphi_Q)]}{L_Q^2} \\ 0 \end{bmatrix}^T \begin{bmatrix} a_6 \\ b_6 \\ 0 \\ 0 \\ 0 \\ 0 \end{bmatrix} \neq 0 \quad (5.24)$$

5.4.3.3 Relativan stupanj sustava r i unutarnja dinamika

Relativni stupanj sustava je: $r = r_1 + r_2 = 3 < n = 6$.

Dakle ukupni relativni stupanj sustava je manji od reda sustava, što znači da postoji unutarnja dinamika koja nije obuhvaćena ulazno-izlaznom linearizacijom.

Drugim riječima, zbog korištenja parcijalne, a ne potpune linearizacije potrebno je provjeriti unutarnju dinamiku.

Prema opće poznatom teoremu o ograničenoj funkciji, suma i produkt rastućih ograničenih funkcija je također ograničena funkcija. Vrijedi i obratno, ako je funkcija ograničena te je suma i produkt rastućih funkcija, onda iste također moraju biti ograničene funkcije.

U izrađenom sustavu upravljanja, dinamika izlaznih veličina se ograničava referentnim vrijednostima. Prva izlazna veličina ograničava brzinu rotora. Druga izlazna veličina ograničava ostale varijable stanja, budući da je ona (5.23) suma i kvadrat svih ostalih varijabli stanja.

Prema ovom razmatranju sve varijable stanja su ograničene, a prema tome je ograničena i unutarnja dinamika te je izvedeni sustav upravljanja valjan.

6 IZRADA SIMULACIJSKOG MODELA

U odjeljku 6.1 se započinje od jednadžbi postavljenih u SI jediničnom sustavu. Zatim se uvede sustav relativnih jedinica (eng. *Per Unit*) pomoću kojeg se izvedu jednadžbe sinkronog stroja prikladne za simulaciju. Klasična konfiguracija naponski utisnutog izmjenjivača na svojem izlazu sadrži niskopropusni filter. I u ovom simulacijskom modelu je na izlazu iz izmjenjivača postavljen niskopropusni filter. Pri izradi sustava upravljanja uzet je u obzir i utjecaj filtera.

U odjeljku 7.3 je prikazan simulacijski model izrađen u programskom paketu Matlab/Simulinku. Opisani su energetske i upravljački krugovi korišteni pri provjeri rada observera i sustava upravljanja. Također, navedeni su i podaci strojeva manje (SM1) i veće snage (SM2) korištenih u simulacijama.

6.1 Izvod jednadžbi sinkronog stroja prikladan za simulaciju

Sustav sinkronog stroja u SI jedinicama je:

$$\begin{bmatrix} \dot{\lambda}_d \\ \dot{\lambda}_f \\ \dot{\lambda}_D \\ \dot{\lambda}_q \\ \dot{\lambda}_Q \\ \dot{\omega}_m' \end{bmatrix} = \begin{bmatrix} U_d - r_s I_d + \omega' \lambda_q \\ U_f - r_f I_f \\ -r_D I_D \\ U_q - r_s I_q - \omega' \lambda_d \\ -r_Q I_Q \\ \frac{1}{J} [M_e' - M_T'] \end{bmatrix} \quad (6.1)$$

Zapis (6.1) koristi ω' za električnu kutnu brzinu rotora, ω_m' za kutna brzina rotora te p za broj parova polova. Nadalje, λ označava magnetske tokove, r je oznaka za otpore, L' za induktivitete. Naponi i struje su označeni s U odnosno I , dok su momenti označeni sa M_e' elektromagnetski i M_T' moment tereta.

Korištenjem sustava baznih vrijednosti:

$$\begin{aligned} \psi_B &= \frac{U_B}{\omega_B} \\ Z_B &= \frac{U_B}{I_B} \\ L_B &= \frac{Z_B}{\omega_B} \\ \omega_B &= 2\pi f_n \\ \omega_{mB} &= \frac{\omega_B}{p} \\ M_B &= \frac{P_B}{\omega_B} \end{aligned} \quad (6.2)$$

prvi redak iz sustava (6.1) se može zapisati:

$$\begin{aligned}
U_d &= r_s I_d + \dot{\lambda}_d - \omega' \lambda_q /: U_B \\
\frac{U_d}{U_B} &= \frac{r_s I_d}{U_B} + \frac{1}{U_B} \dot{\lambda}_d - \frac{\omega \omega_B \lambda_q}{U_B} \\
\frac{U_d}{U_B} &= \frac{r_s I_d}{R_B I_B} + \frac{1}{\omega_B \varphi_B} \dot{\lambda}_d - \frac{\omega \varphi_B \varphi_q}{\omega_B} \\
u_d &= R_s i_d + \frac{1}{\omega_B} \dot{\psi}_d - \omega \psi_q
\end{aligned} \tag{6.3}$$

Sljedeća četiri retka iz sustava (6.1) se mogu raspisati slično kako je zapisan prvi redak (6.3) tako da se dobiju jednačbe u sustavu relativnih jedinica:

$$\begin{aligned}
u_f &= R_f i_f + \frac{1}{\omega_B} \dot{\psi}_f \\
\frac{1}{\omega_B} \dot{\psi}_D &= -R_D i_D \\
u_q &= R_s i_d + \frac{1}{\omega_B} \dot{\psi}_q + \omega \psi_d \\
\frac{1}{\omega_B} \dot{\psi}_Q &= -R_Q i_Q
\end{aligned} \tag{6.4}$$

Šesti redak iz dinamičkog sustava (6.1) je jednačba gibanja koja se može zapisati:

$$\begin{aligned}
\dot{\omega}_m' &= \frac{1}{J} [M_e' - M_T'] /: M_B \\
\frac{J}{M_B} \dot{\omega}_m' &= \frac{1}{M_B} [M_e' - M_T'] \\
\frac{J}{M_B} \omega_{mB} \dot{\omega}_m &= \frac{M_e'}{M_B} - \frac{M_T'}{M_B} \\
\frac{J \omega_{mB}^2}{M_B \omega_{mB}} \dot{\omega}_m &= M_e - M_T \\
\dot{\omega}_m &= \frac{1}{2H} (M_e - M_T)
\end{aligned} \tag{6.5}$$

Uvrštenjem struja se dobije izraz za elektromagnetski moment te jednačba gibanja postaje:

$$\dot{\omega}_m' = \frac{1}{J} \left\{ \frac{3}{2} p [-(L'_{md} - L'_{mq}) I_d I_q + L'_{md} I_f I_q + L'_{md} I_D I_q - L'_{mq} I_Q I_d] - M_T' \right\} \tag{6.6}$$

Elektromagnetski moment iz (6.6) se može zapisati i u sustavu relativnih jedinica:

$$\begin{aligned}
\frac{M_e'}{M_B} &= \frac{\frac{3}{2} p [-(L'_{md} - L'_{mq}) I_d I_q + L'_{md} I_f I_q + L'_{md} I_D I_q + L'_{mq} I_Q I_d]}{\frac{3}{2} p \psi_B I_B} \\
\frac{M_e'}{M_B} &= \frac{-(L'_{md} - L'_{mq}) I_d I_q + L'_{md} I_f I_q + L'_{md} I_D I_q + L'_{mq} I_Q I_d}{L_B I_B I_B} \\
M_e &= -(L_{md} - L_{mq}) i_d i_q + L_{md} i_f i_q + L_{md} i_D i_q + L_{mq} i_Q i_d
\end{aligned} \tag{6.7}$$

Sada se može zapisati svih šest jednačbi u sustavu s relativnim jedinicama (6.8). Pritom je uzeto u obzir da u sustavu s relativnim jedinicama vrijedi $\omega_m = \omega$.

$$\begin{aligned}
\frac{1}{\omega_B} \dot{\psi}_d &= u_d - r_s i_d + \omega \psi_q \\
\frac{1}{\omega_B} \dot{\psi}_f &= u_f - r_f i_f \\
\frac{1}{\omega_B} \dot{\psi}_D &= -r_D i_D \\
\frac{1}{\omega_B} \dot{\psi}_q &= u_q - r_s i_d - \omega \psi_d \\
\frac{1}{\omega_B} \dot{\psi}_Q &= -r_Q i_Q \\
\dot{\omega} &= \frac{1}{2H} [(L_{md} - L_{mq}) i_d i_q + L_{md} i_f i_q + L_{md} i_D i_q + L_{md} i_Q i_d - M_T]
\end{aligned} \tag{6.8}$$

Budući je $\psi_B = L_B I_B$ magnetske tokove navedene u sustavu (6.8) se može izračunati pomoću struja statora, rotora i prigušnih namota sukladno izrazima (4.2a-4.2e). Tako se dobije početni sustav jednadžbi za simulaciju:

$$\begin{aligned}
\frac{1}{\omega_B} \dot{i}_d &= a_1' i_d + a_2' i_q \omega + a_3' i_Q \omega + a_4' i_f + a_5' i_D + a_6' u_d + a_7' u_f \\
\frac{1}{\omega_B} \dot{i}_f &= b_1' i_d + b_2' i_q \omega + b_3' i_Q \omega + b_4' i_f + b_5' i_D + b_6' u_d + b_7' u_f \\
\frac{1}{\omega_B} \dot{i}_D &= c_1' i_d + c_2' i_q \omega + c_3' i_Q \omega + c_4' i_f + c_5' i_D + c_6' u_d + c_7' u_f \\
\frac{1}{\omega_B} \dot{i}_q &= d_1' i_q + d_2' i_d \omega + d_3' i_f \omega + d_4' i_D \omega + d_5' i_Q + d_6' u_q \\
\frac{1}{\omega_B} \dot{i}_Q &= f_1' i_q + f_2' i_d \omega + f_3' i_f \omega + f_4' i_D \omega + f_5' i_Q + f_6' u_q \\
\dot{\omega} &= j_1' i_d i_q + j_2' i_f i_q + j_3' i_q i_D + j_4' i_d i_Q + j_5' M_T
\end{aligned} \tag{6.9}$$

Izrazi za koeficijente a_1', a_2', \dots, j_5' dani su u Prilogu A.

Prethodna analiza se odnosi na sustav stroja koji koristi stanja struja prigušnih namota. Sustav (6.8) se može preurediti tako da se koriste stanja magnetskih tokova prigušnih namota. Elektromagnetski moment koji je prema (6.7) izražen preko struja u prigušnom namotu, se može zapisati pomoću tokova prigušnih namota. Prelazak u sustav relativnih vrijednosti u tom slučaju je:

$$\begin{aligned}
\frac{M_e'}{M_B} &= \frac{\frac{3}{2}p[-I_d I_q L_D L_{mq}{}'^2 - I_d I_q L_d' L_D' L_Q' - I_f I_q L_D L_{md}' L_Q' + I_d I_q L_{md}'{}^2 L_Q' + I_f I_q L_{md}'{}^2 L_Q' + I_d I_q L_D' L_q' L_Q']}{\frac{3}{2}p\psi_B I_B L_B^2} + \\
&\quad + \frac{\frac{3}{2}p[-I_q L_{md}' L_Q' \lambda_D + I_d L_D' L_{mq}' \lambda_Q]}{\frac{3}{2}p\psi_B I_B L_B^2} \\
\frac{M_e'}{M_B} &= \frac{-I_d I_q L_D L_{mq}{}'^2 - I_d I_q L_d' L_D' L_Q' - I_f I_q L_D L_{md}' L_Q' + I_d I_q L_{md}'{}^2 L_Q' + I_f I_q L_{md}'{}^2 L_Q' + I_d I_q L_D' L_q' L_Q'}{I_B I_B L_B^3} + \\
&\quad + \frac{-I_q L_{md}' L_Q' \lambda_D + I_d L_D' L_{mq}' \lambda_Q}{\psi_B I_B L_B^2} \\
M_e &= i_d i_q L_D L_{mq}{}^2 + i_d i_q L_d L_D L_Q + i_f i_q L_D L_{md} L_Q - i_d i_q L_{md}{}^2 L_Q - i_f i_q L_{md}{}^2 L_Q - i_d i_q L_D L_q L_Q + \\
&\quad + i_q L_{md} L_Q \psi_D - i_d L_D L_{mq} \psi_Q
\end{aligned} \tag{6.10}$$

Prvih pet jednadžbi sustava (6.8), se pomoću izraza (4.2a-4.2e), također preuredi.

Konačne jednadžbe prikladne za simulacije u sustavu relativnih vrijednosti s magnetskim tokovima u prigušnim namotima su:

$$\begin{aligned}
\frac{1}{\omega_B} \dot{i}_d &= a_1 i_d + a_2 i_f + a_3 i_q \omega + a_4 \psi_D + a_5 \psi_Q \omega + a_6 u_d + a_7 u_f \\
\frac{1}{\omega_B} \dot{i}_f &= b_1 i_d + b_2 i_f + b_3 i_q \omega + b_4 \psi_D + b_5 \psi_Q \omega + b_6 u_d + b_7 u_f \\
\frac{1}{\omega_B} \dot{\psi}_D &= c_1 i_d + c_2 i_f + c_3 \varphi_D \\
\frac{1}{\omega_B} \dot{i}_q &= d_1 i_q + d_2 i_d \omega + d_3 i_f \omega + d_4 \omega \varphi_D + d_5 \varphi_Q + d_6 u_q \\
\frac{1}{\omega_B} \dot{\psi}_Q &= f_1 i_q + f_2 \varphi_Q \\
\dot{\omega} &= g_1 i_d i_q + g_2 i_f i_q + g_3 i_q \psi_D + g_4 i_d \psi_Q + g_5 M_T
\end{aligned} \tag{6.11}$$

Izrazi za koeficijente a_1, a_2, \dots, g_5 dani su u Prilogu B.

6.1.1 Utjecaj filtera

Za zadanu vrijednost induktiviteta niskopropusnog filtera izračuna se bazna snaga, a onda omjerom prema baznoj snazi stroja se dobije potrebna vrijednost induktiviteta u sustavu relativnih jedinica.

U izradi zakona upravljanja navedeni induktivitet se uzima u obzir te se početna jednadžba sustava treba proširiti sa izrazom:

$$\begin{bmatrix} u_d \\ u_q \end{bmatrix} = \begin{bmatrix} i_d R_s + \frac{d\psi_d}{dt} - \omega(\psi_q + i_q L_{react}) \\ i_q R_s + \frac{d\psi_q}{dt} + \omega(\psi_d + i_d L_{react}) \end{bmatrix} \tag{6.12}$$

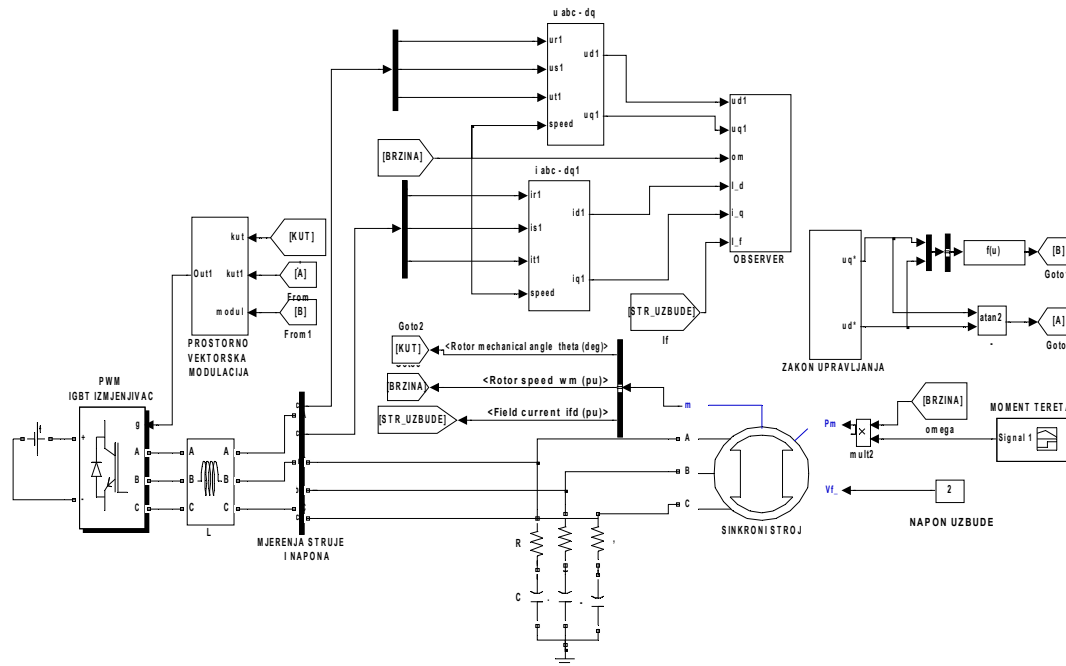
gdje je L_{react} induktivitet filtera.

S obzirom na paralelni spoj kapaciteta (s otpornikom), njih se ne treba uzimati u proračun jer je impedancija dovoljno visokog iznosa pa struja kroz tu granu iznosi manje od 1 posto nazivne vrijednosti.

6.2 Simulacijski modeli

6.2.1 Osnovni simulacijski model

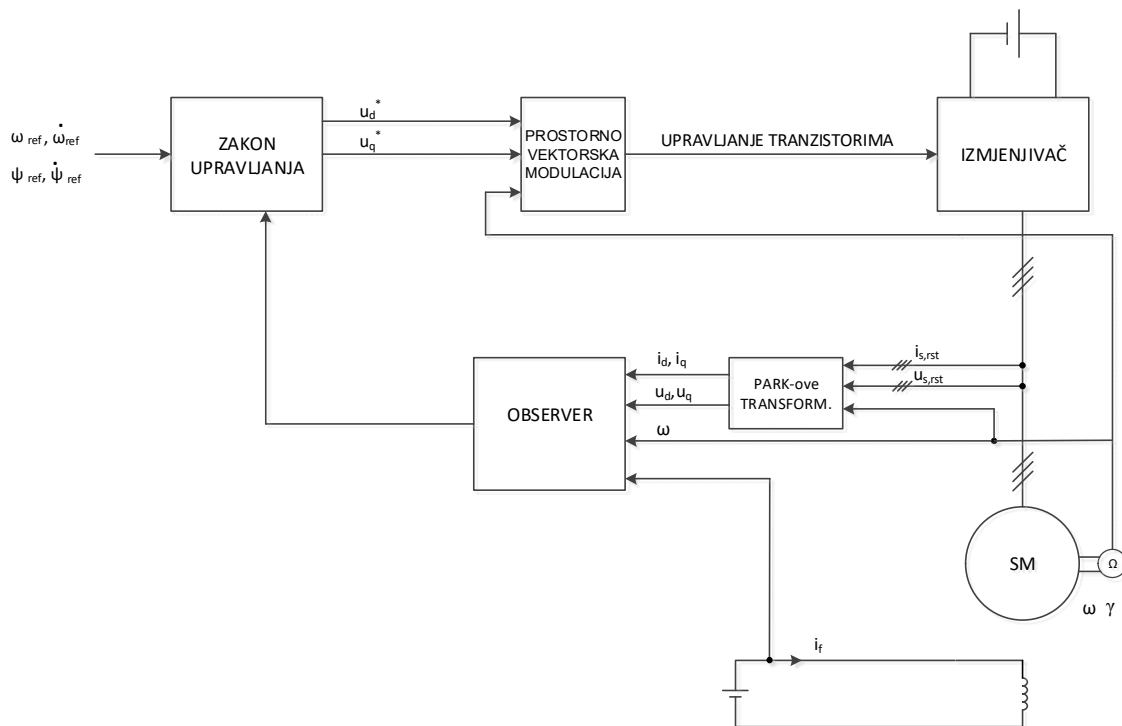
Na slici 6.1 prikazan je osnovni simulacijski model izrađen u Matlab/Simulink programskom paketu. Izrađeni simulacijski model se sastoji od energetske dijela koji je u kontinuiranoj domeni te diskretiziranog sustava upravljanja. Da bi se omogućila kasnija što lakša implementacija u realnom sustavu, diskretizacija se obavlja frekvencijom uzorkovanja od 12 kHz.



Slika 6.1 Simulacijski model

Za realizaciju upravljanja nužno je imati potrebna mjerenja, zatim je potrebno obaviti Parkovu transformaciju. Nakon toga se korištenjem observera iz poglavlja 4. dođe do svih veličina koje su potrebne za upotrebu zakona upravljanja danog u poglavlju 5.

Detaljni izgled sustava upravljanja prikazan je shematski na slici 6.2.



Slika 6.2 Shema upravljanja

Osim observera i zakona upravljanja u model je potrebno integrirati i prostorno vektorsku modulaciju (*SVPWM*). Unutar same *SVPWM* postoji više tehnika za generiranje signala [51]. Odabir ovisi o vrsti primjene, odnosno o aplikaciji.

U ovom radu odabrana je simetrična *SVPWM* [52-53]. Njezina osnovna prednost je smanjenje harmonika, a nedostatak su nešto veći gubici s obzirom na veći broj sklapanja [54].

Svi simulacijski modeli te podmodeli su izrađeni prema izrazima danim u prethodnim poglavljima, a također su dani i u prilogu na CD-u u sklopu ovog rada.

U prilogima su prikazani pojedini karakteristični dijelovi simulacijskog modela:

1. prilog C1 Obsever
 - a. Observer s prigušnim strujama – konvergencijski koeficijenti
 - b. Observer s prigušnim strujama – integracija observera
 - c. Observer s prigušnim tokovima – punog reda sa adaptacijom otpora
2. prilog C2 Zakon upravljanja
 - a. Osnovni model
 - b. Izračun upravljanja
3. prilog C3 Prostorno vektorska modulacija

- a. Osnovni model
- b. Izračun granica kuta rotora
- c. Određivanje sektora

6.2.2 Varijacije sustava upravljanja

Zadatak sustava upravljanja je ostvariti slijedno upravljanje brzinom vrtnje rotora i magnetskim tokom statora. S obzirom na sustav upravljanja prethodno dan na slici 6.2 izvedene su i dvije varijacije. U poglavlju 7.3.1 sustav upravljanja je proširen s ispravljačkim dijelom pretvarača, dok je u poglavlju 7.3.2 sustav dodatno proširen regulacijom uzbudnog sustava. U svim ostalim simulacijama uzbudni sustav nije reguliran već je postavljen na konstantnu nazivnu vrijednost za vrijeme trajanja tranzijenta.

U Prilogu C4 je prikazan simulacijski model sustava *AC/DC/AC* pretvarača [55]. Prikazan je osnovni (energetski) model te upravljanje izmjenjivačkim (*DC/AC*) dijelom pretvarača.

6.2.3 Podaci stroja

U simulacijama su korištena dva sinkrona stroja. Stroj manje snage (8,1 *kVA*) SM1 te stroj veće snage (1,56 *MVA*) SM2. Njihovi parametri su dani u tablici 6.1.

Tablica 6.1. Parametri sinkronih strojeva

Parametar stroja	Oznaka	SM1	SM2
snaga	S_n (kVA)	8,1	1560
napon	U_n (V)	400	6300
parovi polova	p	2	5
frekvencija	f_n (Hz)	50	50
otpor statorskog namota	R_s (p.u.)	0,082	0,011
rasipni induktivitet statorskog namota	$L_{\sigma s}$ (p.u.)	0,072	0,148
zajednički induktivitet u d-osi	L_{md} (p.u.)	1,728	1,177
zajednički induktivitet u q-osi	L_{mq} (p.u.)	0,823	0,622
otpor uzbudnog namota	R_f (p.u.)	0,0612	0,0017
rasipni induktivitet uzbudnog namota	$L_{\sigma f}$ (p.u.)	0,18	0,186
otpor prigušnog namota d-os	R_D (p.u.)	0,159	0,0481
rasipni induktivitet prigušnog namota d-os	$L_{\sigma D}$ (p.u.)	0,117	0,096
otpor prigušnog namota q-os	R_Q (p.u.)	0,242	0,0256
rasipni induktivitet prigušnog namota q-os	$L_{\sigma Q}$ (p.u.)	0,162	0,0509
Konstanta inercije	H (s)	0,14	2,2

7 SIMULACIJSKA PROCJENA OBSERVERA

Pomoću observera izloženih u četvrtom poglavlju, zakona upravljanja izloženog u petom poglavlju te simulacijskog modela iz šestog poglavlja obavljene su brojne pokusne verifikacije. Obavljeni su pokusi zaleta s reverziranjem sinkronog stroja manje snage (SM1).

U poglavlju 7.1 su prikazane dinamike pri korištenju observera prigušnih struja. Zatim su u poglavlju 7.2 prikazane dinamike postignute korištenjem observera prigušnih tokova punog reda. Usto je obavljen pokus i uz adaptacije otpora rotorskog i statorskog namota. U poglavlju 7.3.1 je obavljena pokus koji obuhvaća potpunu konfiguraciju *AC/DC/AC* pretvarača. U poglavlju 7.3.2 obavljen je pokus pri regulaciji u uzbudnom krugu. U poglavlju 7.4 obavljene su simulacije pri promjeni induktiviteta sinkronog stroja.

U svakom poglavlju su navedene pojedinosti kao što su konvergencijski koeficijenti observera, konvergencijski koeficijenti upravljanja, shema simulacijskog modela. Prikazani su najznačajniji rezultati koji su popraćeni diskusijom i zaključkom.

Moment opterećenja u ovom poglavlju nije razmatran.

7.1 Simulacijski rezultati upravljanja pri korištenju observera prigušnih struja

Korištenjem observera prigušnih struja iz poglavlja 4.4 obavljeni su pokusi zaleta te reverziranja sinkronog stroja. Obavljene su simulacije pri uzorkovanju od 12 te 48 kHz.

7.1.1 Rezultati pokusa zaleta s reverziranjem pri uzorkovanju 12 kHz

Najprije je obavljen pokus pri uzorkovanju 12 kHz. Korišteni koeficijenti observera prigušnih struja su prikazani u tablici 7.1.

Tablica 7.1

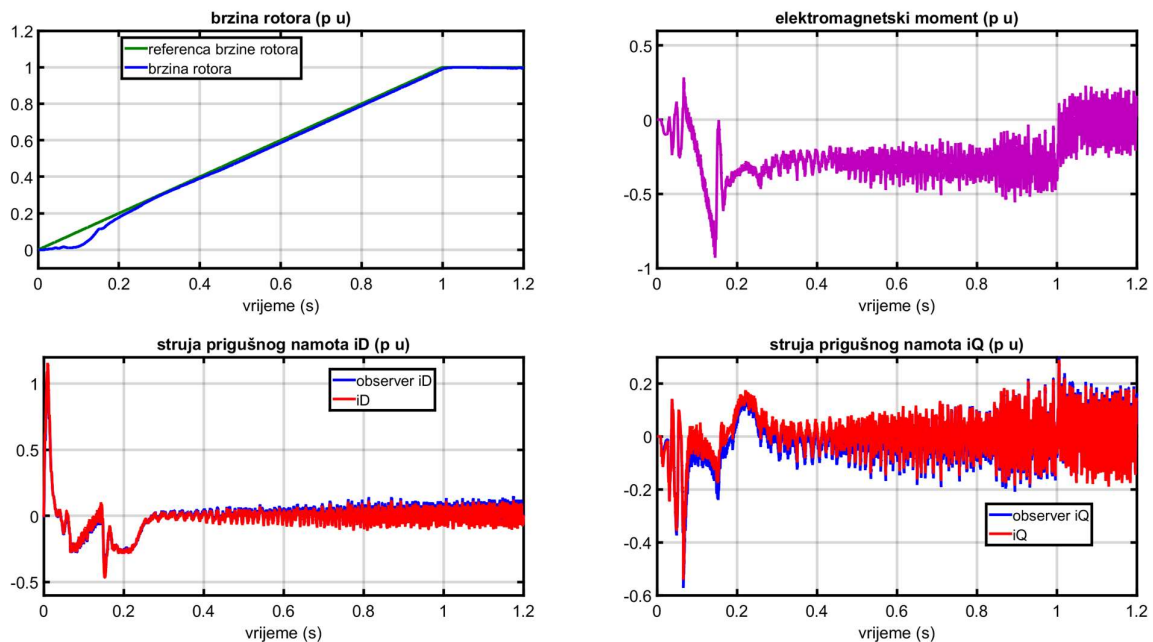
Koeficijenti observera	SM1
k_1'	20
k_2'	20
k_{11}'	10
k_{22}'	15
k_{44}'	15
k_{66}'	15

Korišteni koeficijenti upravljanja su prikazani u tablici 7.2:

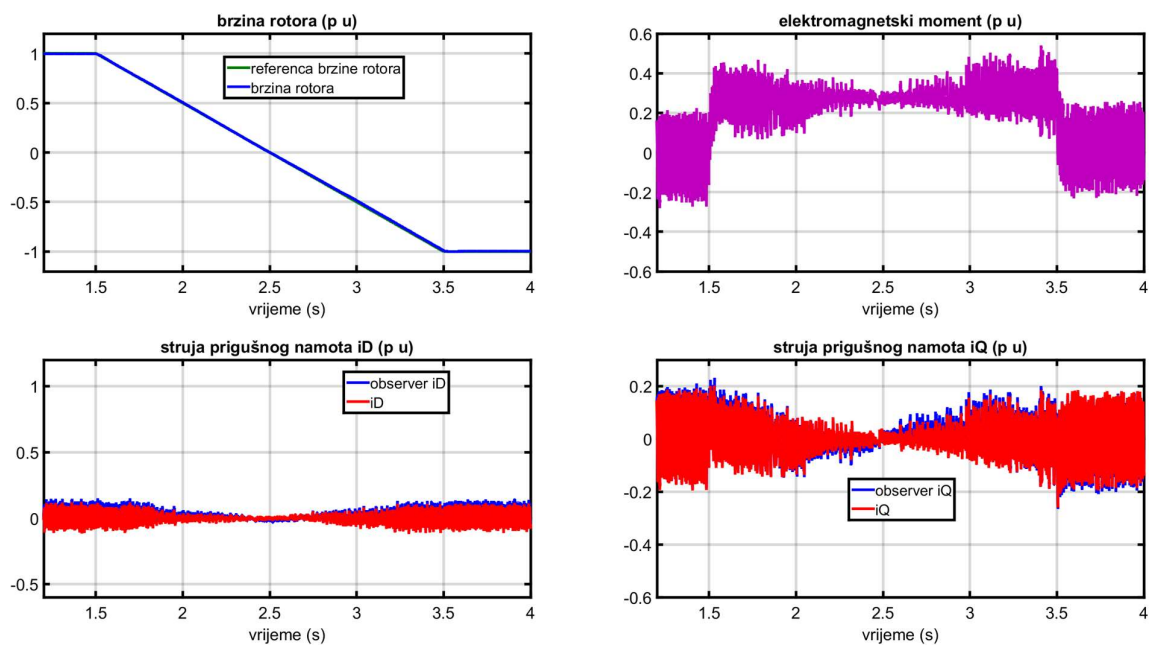
Tablica 7.2

Koeficijenti upravljanja	SM1
k_{p0}	100
k_{p1}	30
k_{p2}	30

Pokus pokazuje uspješan zalet (slika 7.1) te reverziranje (slika 7.2). Značajnije odstupanje postoji samo na početku zaleta. Kod reverziranja nema odstupanja brzine rotora. Prikazane su stvarne i estimirane vrijednosti struja u d te q osima prigušnih namota. Estimacija struja prigušnih namota je dobra, međutim iznosi oscilacija struja su veliki. Budući da sustav upravljanja koristi struje u prigušnom namotu, oscilacije prigušnih struja se nužno prenose u elektromagnetski moment. Zbog toga su oscilacije elektromagnetskog momenta značajne.



Slika 7.1. Rezultati zaleta za uzorkovanje 12 kHz



Slika 7.2 Simulacijski rezultati reverziranja za uzorkovanje 12khz

7.1.2 Rezultati pokusa zaleta i reverziranja pri uzorkovanju 48 kHz

Zbog oscilacija elektromagnetskog momenta prikazanih u prethodnim pokusima, obavljen je i pokus s frekvencijom uzorkovanja od 48 kHz. Pritom su korišteni koeficijenti observera istovjetni onima iz tablice 7.1. Koeficijenti upravljanja su prikazani u tablici 7.3.

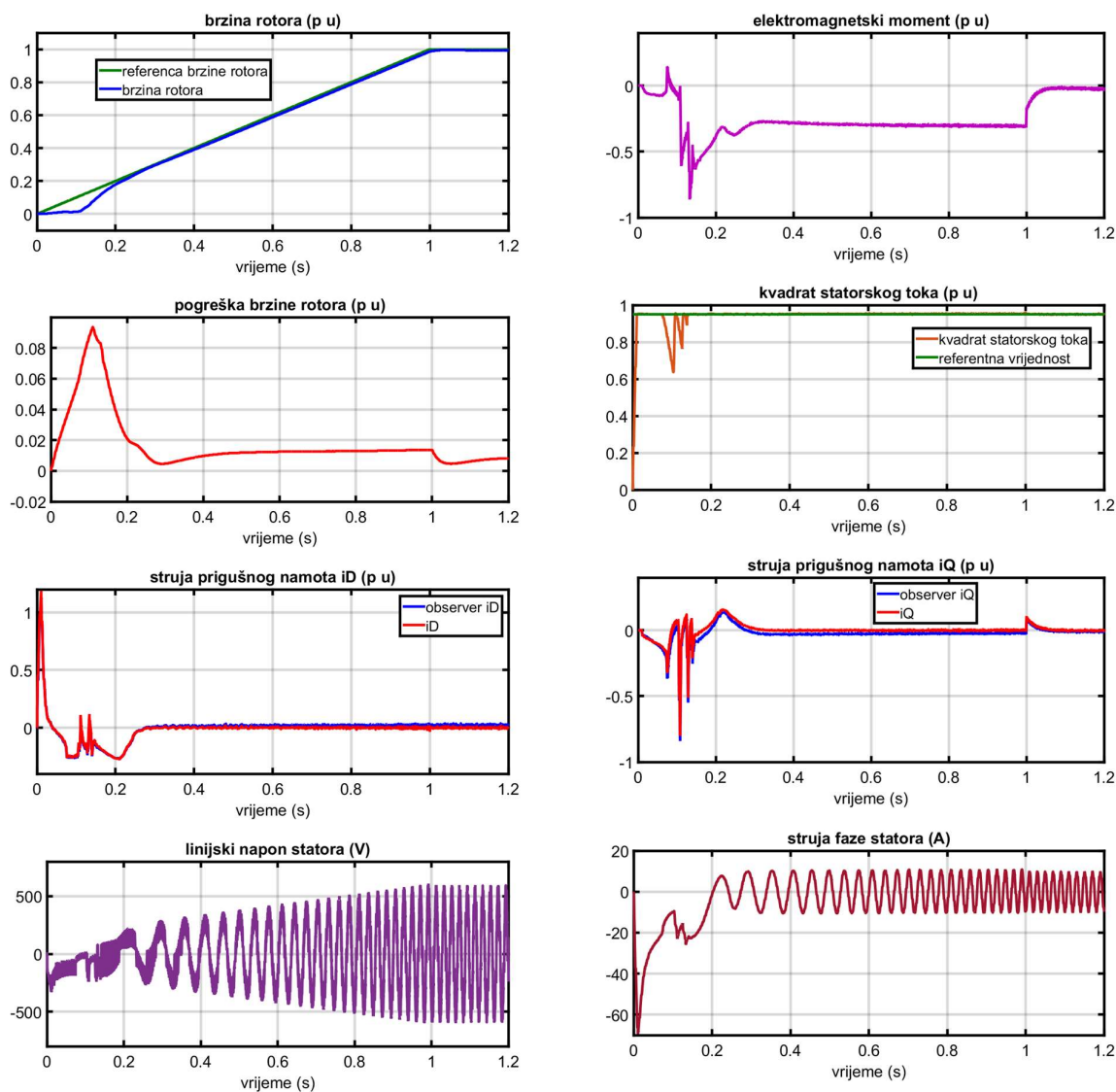
Tablica 7.3

Koeficijenti upravljanja	SM1
k_{p0}	170
k_{p1}	40
k_{p2}	200

Na sljedećoj slici (7.3) su opsežno prikazani rezultati pokusa zaleta. Prikazana je brzina rotora te njezino odstupanje od referentne brzine. Prikazan je elektromagnetski moment na kojem je vidljivo značajno smanjenje oscilacija. Prikazan je kvadrat statorskog toka skupa s referentnom vrijednosti. Odstupanja od referentnih veličina se javljaju samo na početku zaleta.

Također su prikazane i struje prigušnih namota zajedno s observerima struja. Iznosi oscilacija prigušnih struja su značajno sniženi. Observeri prigušnih struja pokazuju dobro praćenje stvarnih vrijednosti struja. Estimiranje je osobito dobro pri dinamici struja, dok se u stacionarnom stanju pojavljuje manje odstupanje.

Prikazani su i valni oblici linijskog napona (U_{RS}) statora te jedne faze struje (I_R) statora. Slike pokazuju pravilne valne oblike.



Slika 7.3 Simulacijski rezultati zaleta za uzorkovanje 48khz

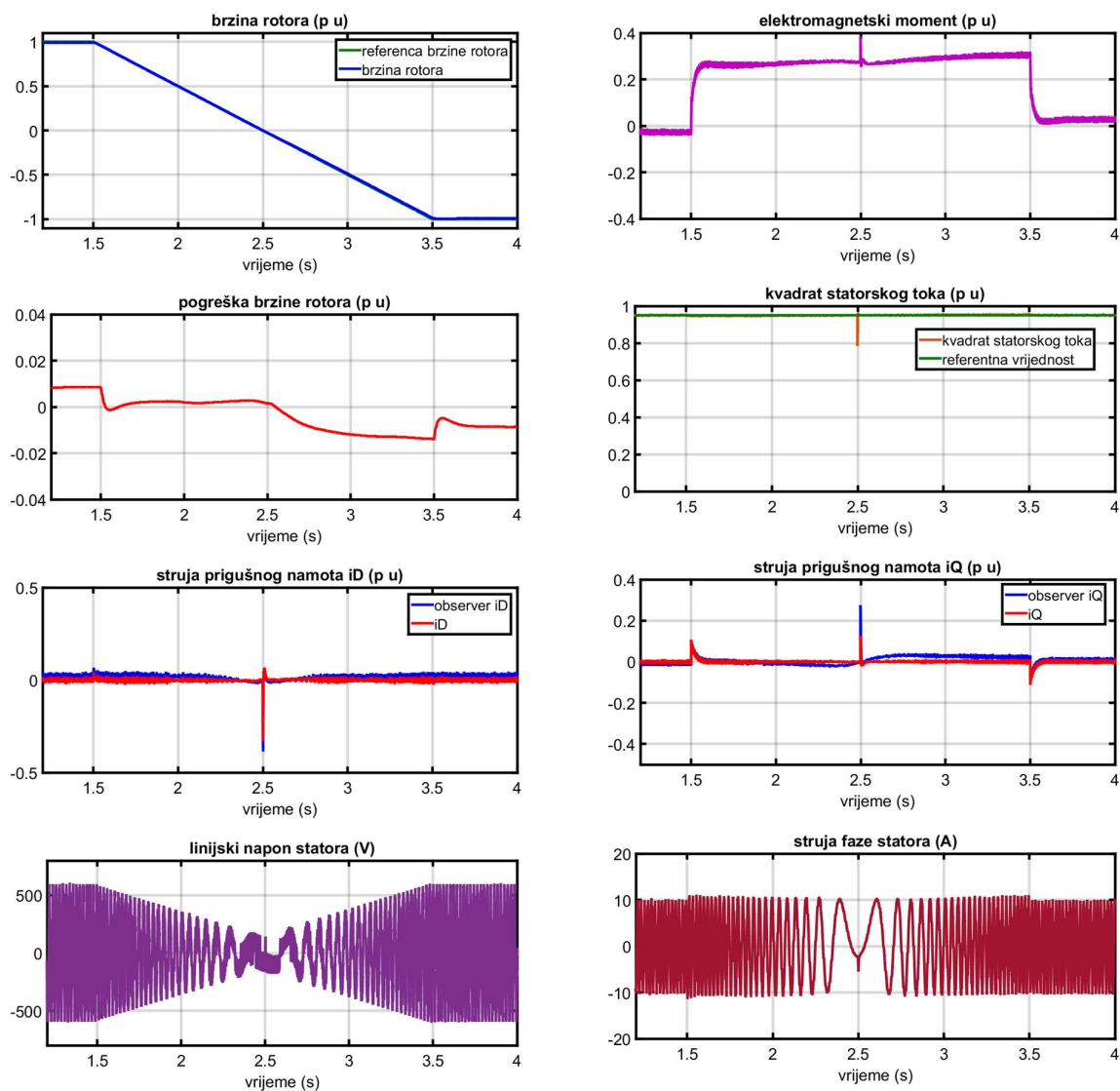
Na sljedećoj slici (7.4) su opsežno prikazani rezultati pokusa reverziranja. Prikazane su iste veličine kao i kod prethodnog pokusa.

Vidljivo je precizno slijeđenje obaju referentnih veličina, s pogreškom oko 1 posto.

Budući da su oscilacije struja prigušnih namota značajno smanjenje, smanjene su i oscilacije kod elektromagnetskog momenta.

Observeri prigušnih struja pokazuju dobro slijeđenje, osobito u izraženijim dinamikama.

Prikazani su i valni oblici linijskog napona (U_{RS}) statora te jedne faze struje (I_R) statora. Slike pokazuju pravilne valne oblike tijekom cijelog pokusa.



Slika 7.4 Simulacijski rezultati reverziranja za uzorkovanje 48khz

7.2 Simulacijski rezultati upravljanja pri korištenju observera prigušnih tokova

Korištenjem observera s prigušnim tokovima iz poglavlja 4.6 obavljen je pokus zaleta s reverziranjem. Pokus je obavljen korištenjem observera punog reda. Također je obavljen i

pokus uz adaptaciju otpora rotorskog i statorskog namota stroja. Svi pokusi su obavljani s frekvencijom uzorkovanja od 12 kHz. Korišteni koeficijenti observera prigušnih tokova su prikazani u tablici 7.4, a koeficijenti upravljanja u tablici 7.5.

Tablica 7.4

Koeficijenti observera	SM1
k_{11}	20
k_{22}	20
k_{33}	20
k_{64}	30

Tablica 7.5

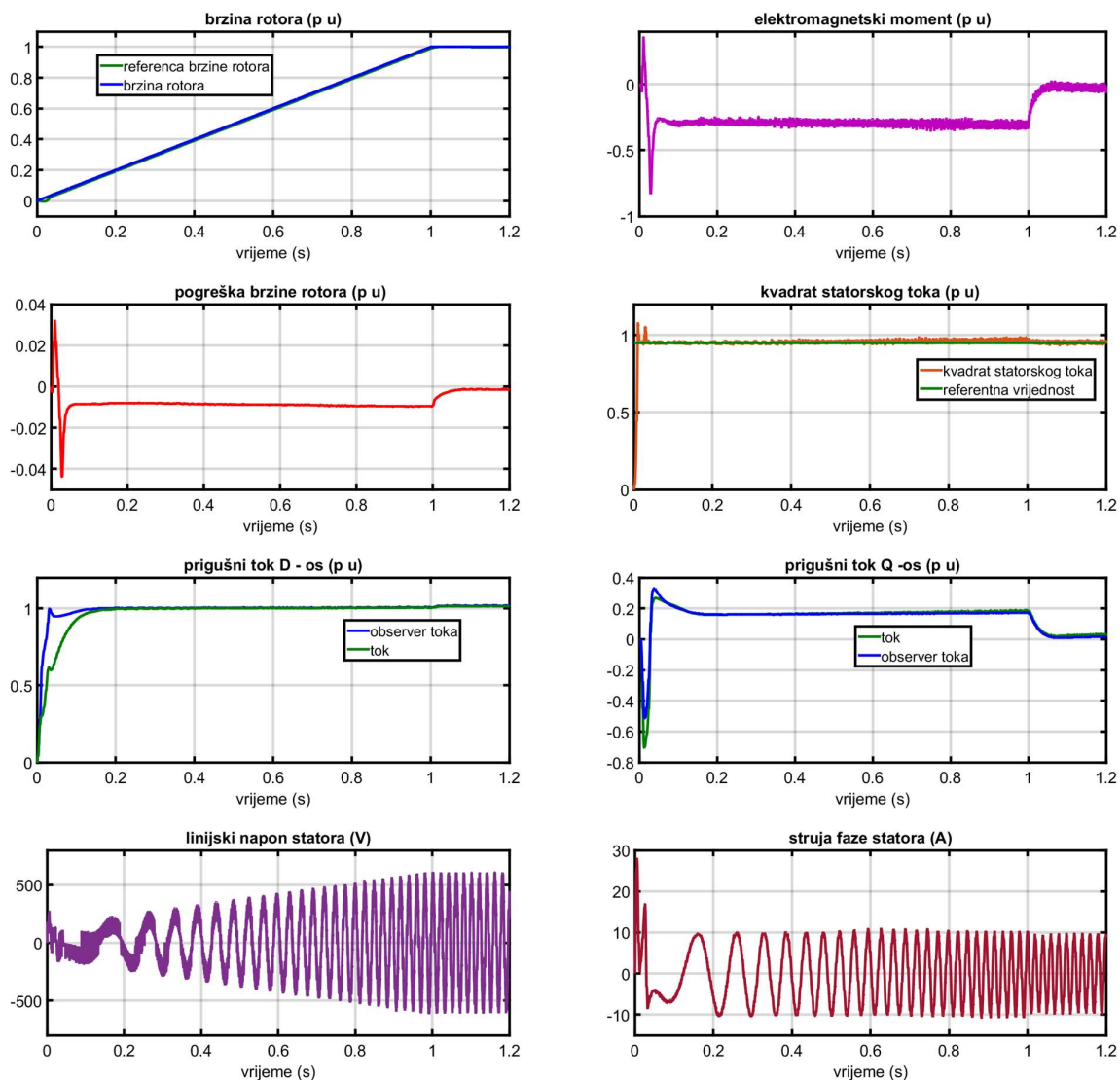
Koeficijenti upravljanja	SM1
k_{p0}	150
k_{p1}	50
k_{p2}	30

7.2.1 Simulacijski rezultati pri korištenju observera punog reda s tokovima prigušnog namota

Na sljedećoj slici (7.5) su opsežno prikazani rezultati pokusa zaleta. Prikazana je brzina rotora te njezino odstupanje od referentne brzine. Prikazan je elektromagnetski moment. Prikazan je kvadrat statorskog toka skupa s referentnom vrijednosti. Odstupanja od referentnih veličina se javljaju na samom početku zaleta, te iznose oko 3 posto. Kasnije se odstupanje smanjuje na vrijednosti od oko 1 posto.

Odstupanja observera prigušnih tokova se javljaju samo na početku zaleta, a kasnije u potpunosti iščezavaju.

Prikazani su i valni oblici linijskog napona (U_{RS}) statora te jedne faze struje (I_R) statora. Slike pokazuju pravilne valne oblike.

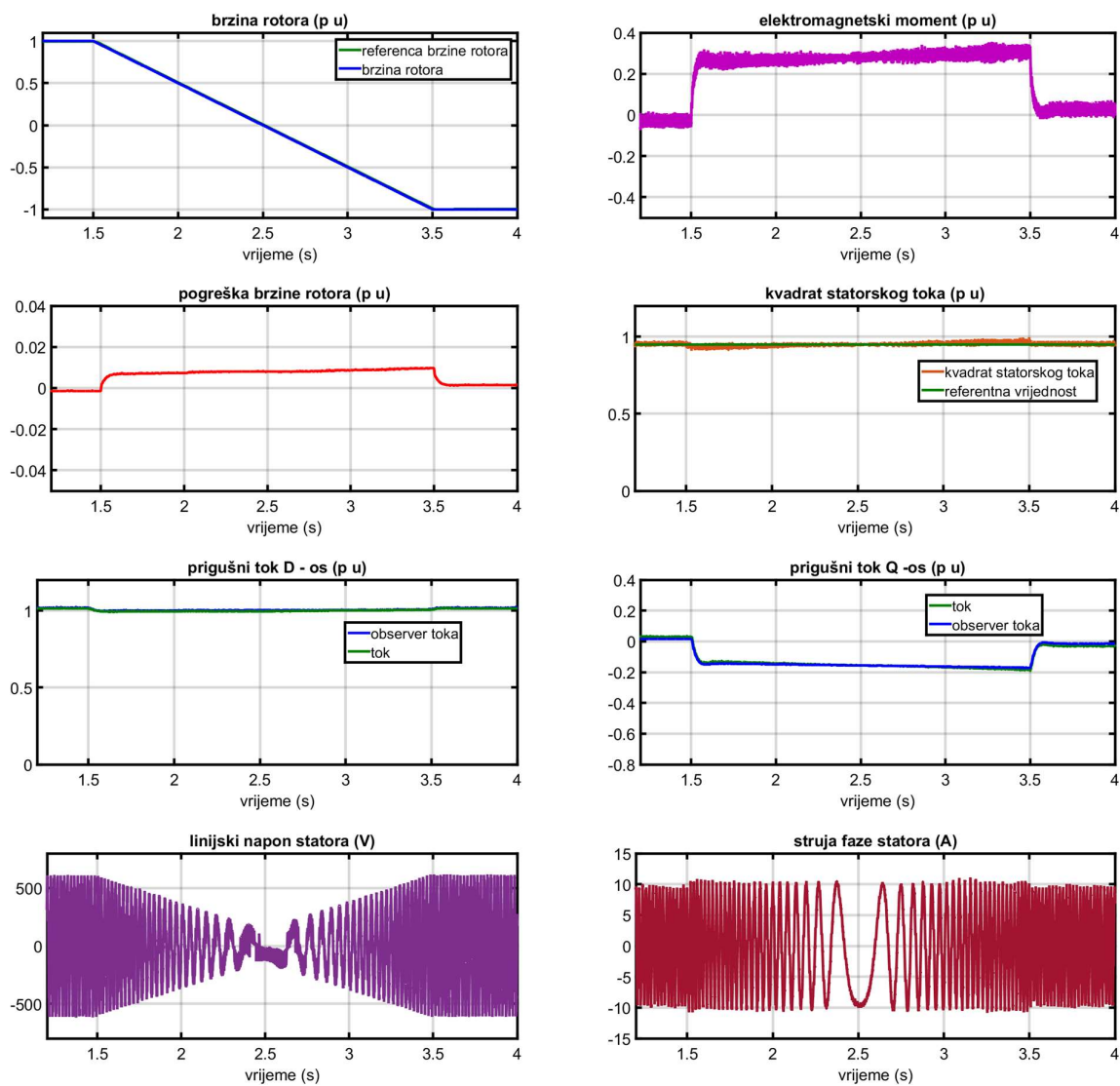


Slika 7.5 Simulacijski rezultati zaleta

Na sljedećoj slici (7.6) su opsežno prikazani rezultati pokusa reverziranja. Prikazana je brzina rotora te njezino odstupanje od referentne brzine. Prikazan je elektromagnetski moment. Prikazan je kvadrat statorskog toka skupa s referentnom vrijednosti. Odstupanja od referentnih veličina su tijekom cijelog pokusa iznosom ispod 1 posto.

Rezultati observera prigušnih tokova pokazuju da tijekom cijelog pokusa, odstupanja praktično ne postoje.

Prikazani su i valni oblici linijskog napona (U_{RS}) statora te jedne faze struje (I_R) statora. Slike pokazuju pravilne valne oblike.

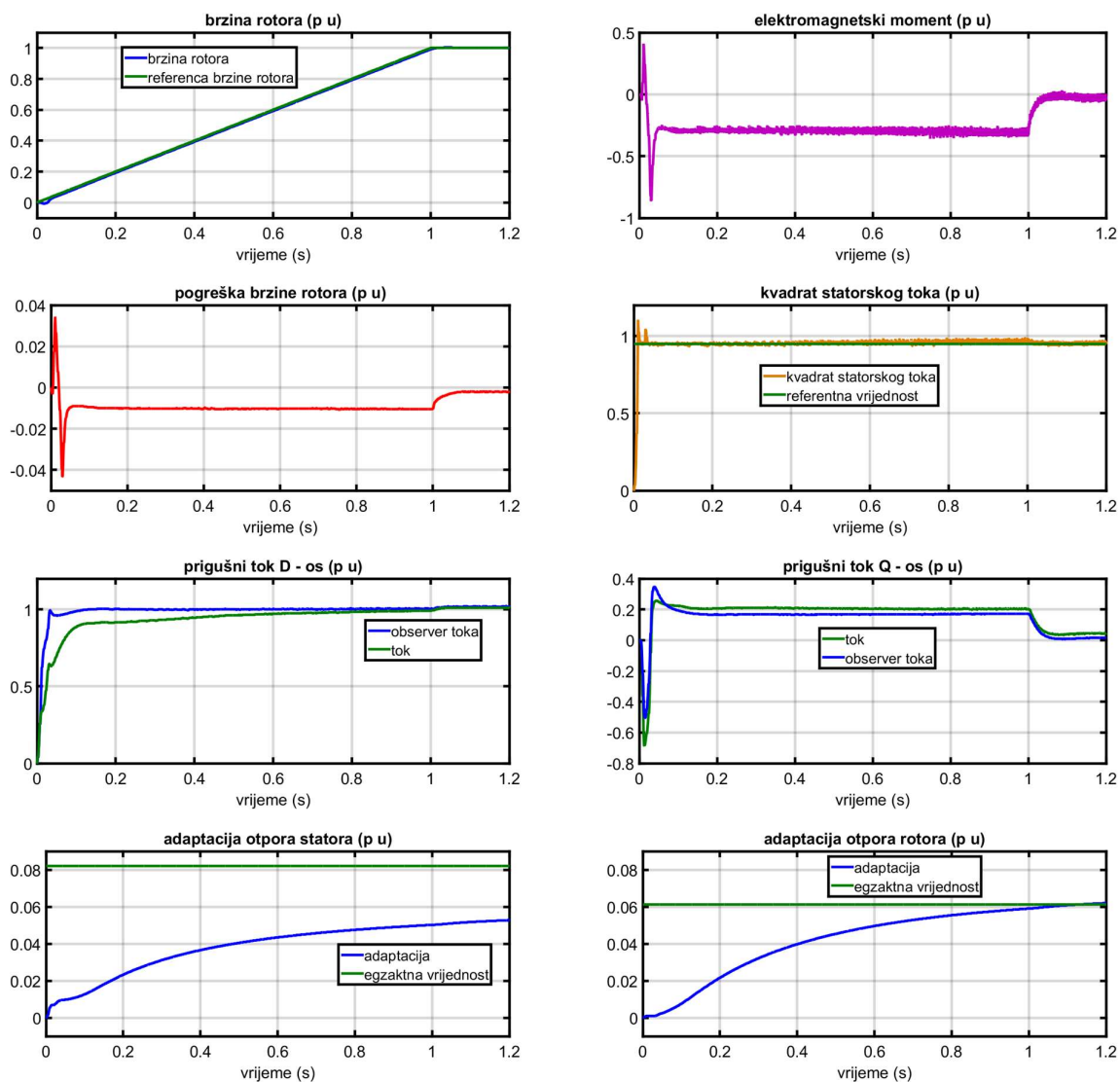


Slika 7.6 Simulacijski rezultati reverziranja

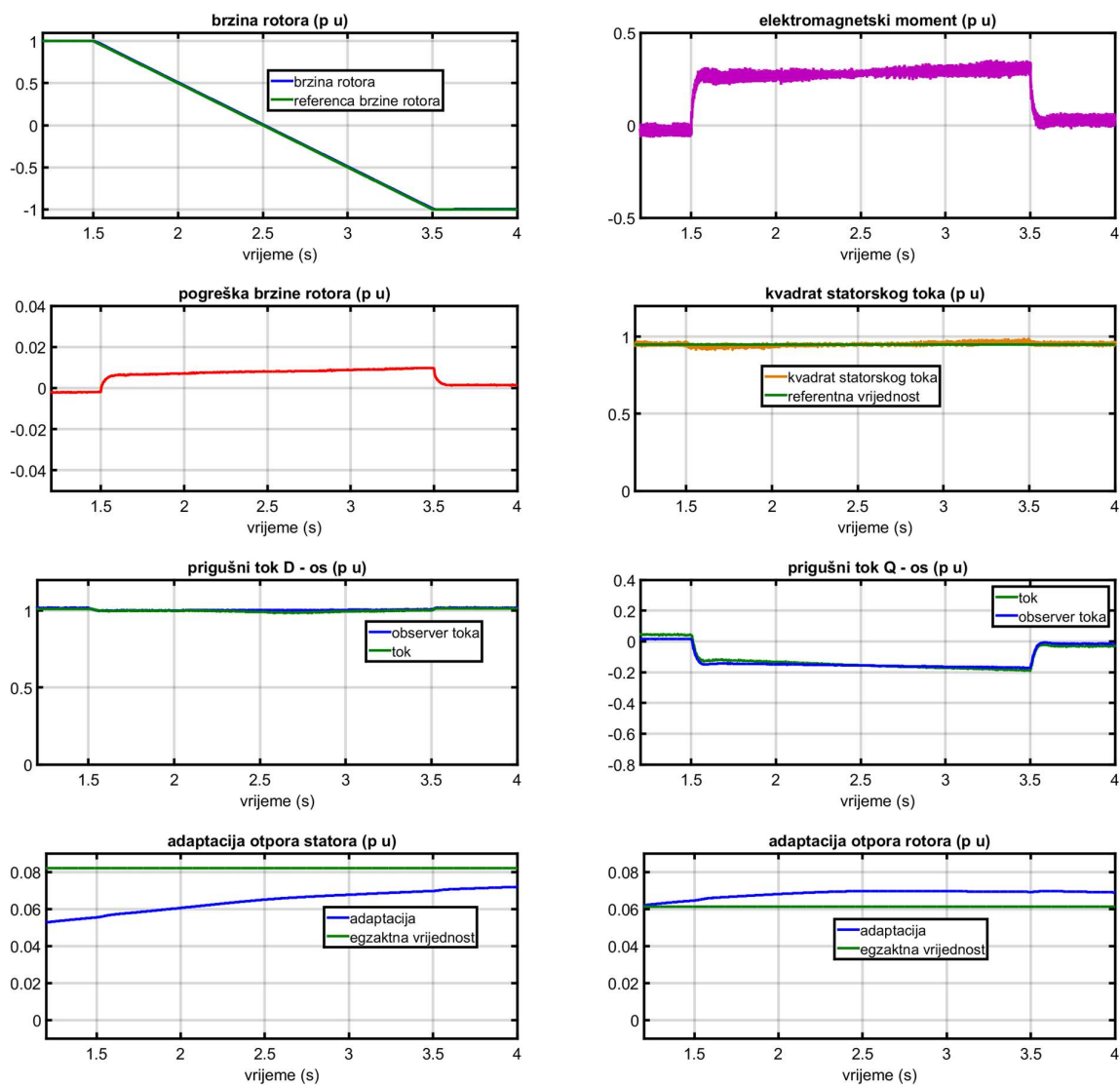
7.2.2 Simulacijski rezultati pri korištenju observera s adaptacijom otpora statorskog i rotorskog namota

Korišteni observer je opisan u poglavlju 4.8. Na slikama 7.7 te 7.8 su prikazani rezultati zaleta (slika 7.7) te reverziranja (slika 7.8) prilikom korištenja observera s adaptacijom otpora. Prikazana je brzina rotora te njezino odstupanje od referentne brzine. Prikazan je elektromagnetski moment. Prikazan je kvadrat statorskog toka skupa s referentnom vrijednosti. Odstupanja od referentnih veličina se javljaju na samom početku zaleta, te iznose oko 3 posto. Kasnije se odstupanje smanjuje na vrijednosti od oko 1 posto.

Na slikama su također prikazani stvarni i observirani magnetski tokovi prigušnog namota u d te q osi. Odstupanja s obzirom na stvarne vrijednosti su u ovom slučaju nešto veće. Razlog je istovremena adaptacija otpora. Početne vrijednosti estimacije otpora statorskog i rotorskog namota su postavljene na nulu. U zadanim dinamikama adaptacijski algoritam konvergira modelskim vrijednostima otpora namota, uz manju stacionarnu pogrešku.



Slika 7.7 Simulacijski rezultati zaleta



Slika 7.8 Simulacijski rezultati reverziranja

7.3 Upravljanje novim sustavom upravljanja u potpunoj konfiguraciji AC/DC/AC pretvarača

U svim prethodnim točkama u obzir je uzet samo izmjenjivački (*DC/AC*) dio pretvarača. Budući da se u realnim slučajevima elektromotorni pogon uglavnom napaja iz izmjenične mreže u obzir treba uzeti i ispravljački (*AC/DC*) dio pretvarača. Radi toga je u ovom poglavlju obavljena integracija cjelokupnog pretvarača. Obavljena je i provjera integracije sustava upravljanja u cjelokupni pogon stroja zajedno s reguliranim uzbudnim sustavom. Pri tom je korišten

cjelokupni *AC/DC/AC* pretvarač te je uključen i sustav uzbude [57]. Za regulator napona uzbude korišten je regulator napona IEEE tip 1. Regulaciji napona je nadređen i regulator jalove snage. U pokusima je korišten reducirani observer tokova prigušnog namota dan u poglavlju 4.7. Budući da je korišten u potpunosti reducirani observer sukladno izrazu (4.48), potrebno je zadati jedino koeficijente za sustav upravljanja. U tablici 7.6 su prikazani korišteni koeficijenti upravljanja.

Tablica 7.6

koeficijenti upravljanja	SM1
k_{p0}	110
k_{p1}	30
k_{p2}	30

7.3.1 Simulacijski rezultati s integracijom *AC/DC* pretvarača

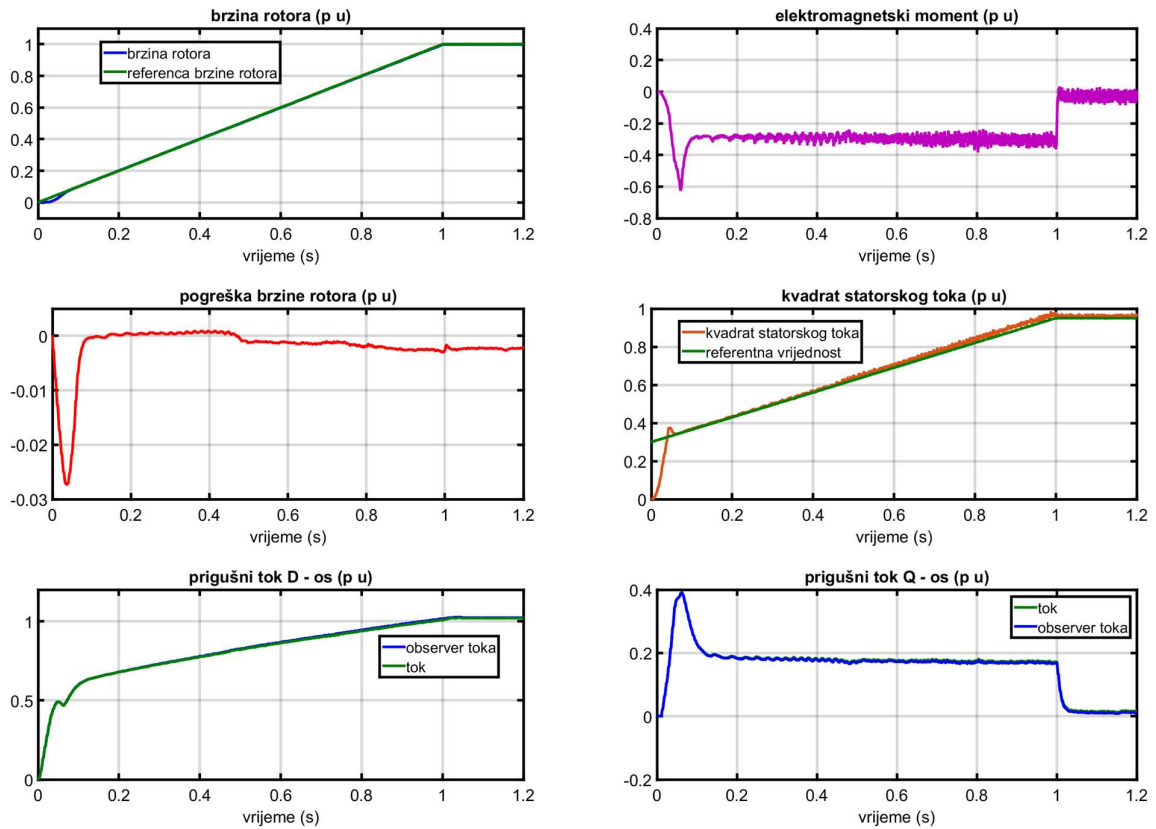
Upravljanje istosmjernim dijelom pretvarača je u funkciji postizanja istosmjernog napona, a realiziran je korištenjem *PI* regulator te *SVPWM*.

Obavljen je pokus zaleta stroja s reverziranjem. Na sljedećoj slici (7.9) su prikazani rezultati pokusa zaleta.

Prikazana je brzina rotora te njezino odstupanje od referentne brzine. Prikazan je elektromagnetski moment s izrazito pravilnom karakteristikom. Prikazan je kvadrat statorskog toka skupa s referentnom vrijednosti.

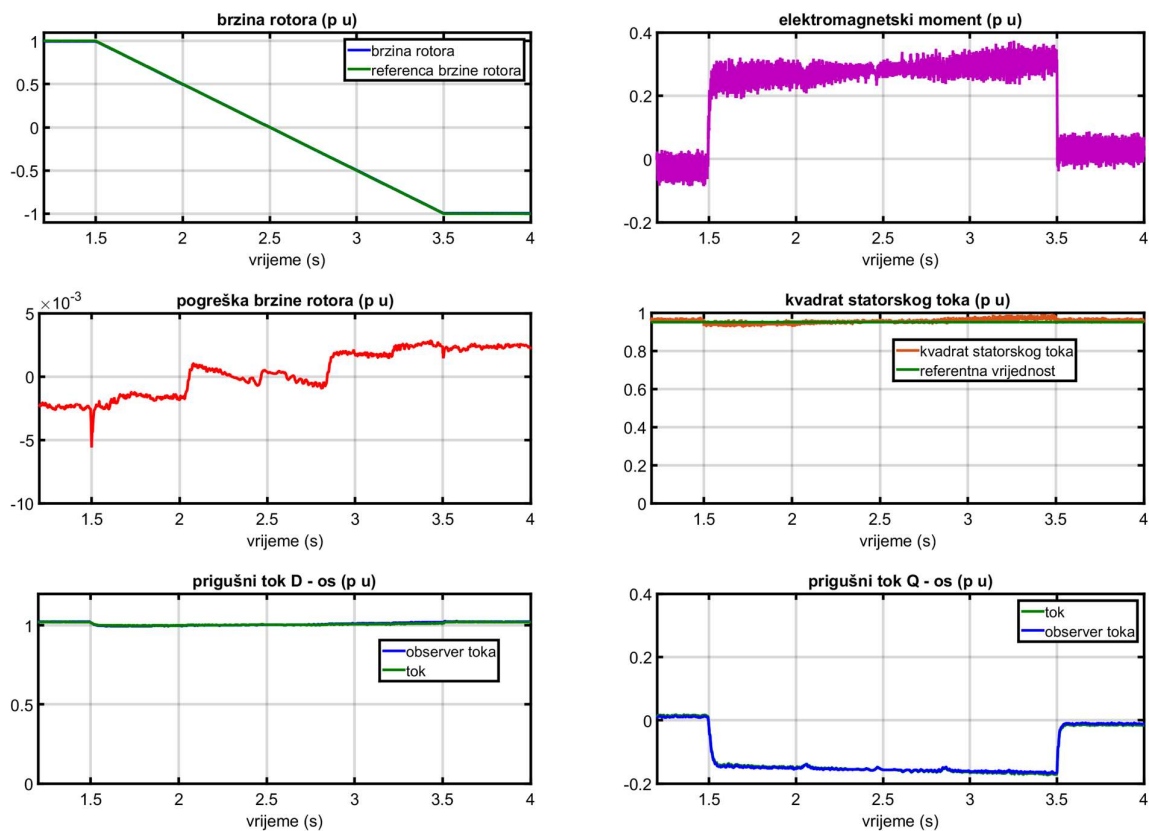
Referentna vrijednost u ovom slučaju nije zadana skokovito već je zadan linearni porast. Odstupanja od referentnih veličina se javljaju na samom početku zaleta, te iznose oko 3 posto. Kasnije se odstupanje smanjuje na vrijednosti ispod 1 posto.

Rezultati observera prigušnih tokova pokazuju da tijekom cijelog pokusa, odstupanja praktično ne postoje.



Slika 7.9 Simulacijski rezultati zaleta

Na sljedećoj slici (7.10) su prikazani rezultati pokusa reverziranja. Prikazana je brzina rotora te njezino odstupanje od referentne brzine. Prikazan je elektromagnetski moment s izrazito pravilnom karakteristikom. Prikazan je kvadrat statorskog toka skupa s referentnom vrijednosti. Odstupanja od referentnih veličina praktično ne postoje. Također, rad observera tokova prigušnih namota ne pokazuje odstupanje.



Slika 7.10 Simulacijski rezultati reverziranja

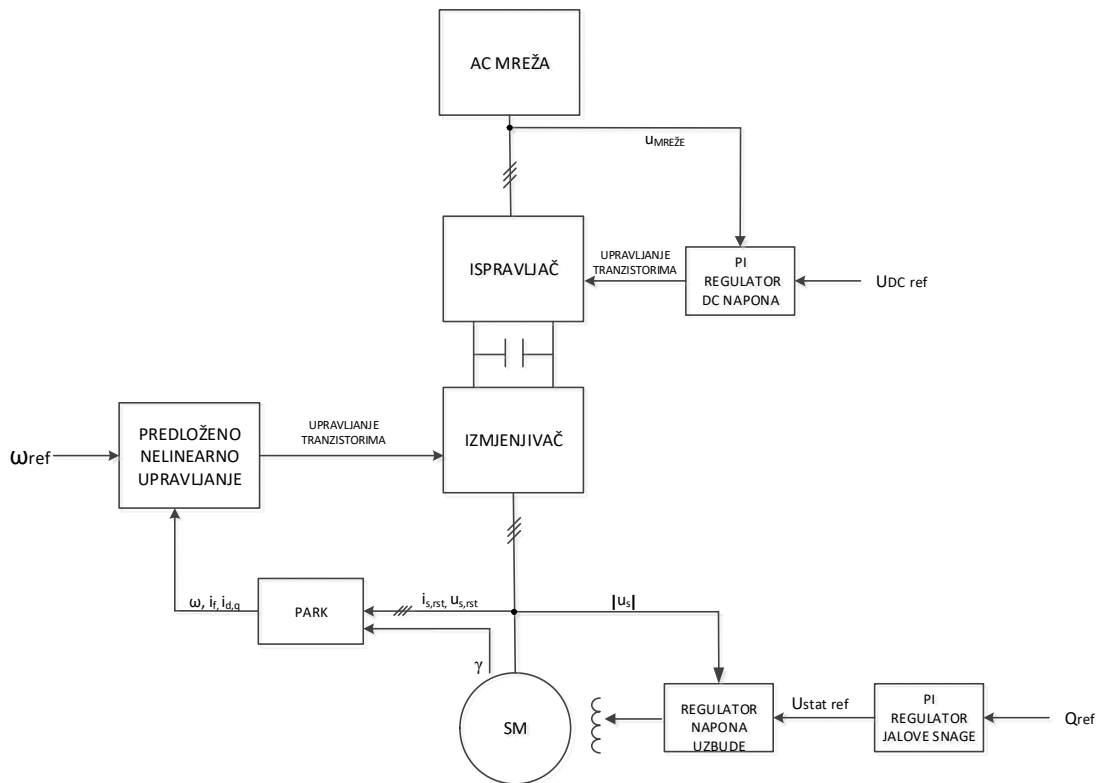
7.3.2 Simulacija s integracijom regulacije u uzbudnom krugu

Obavljen je pokus zaleta stroja u potpuno integriranom sustavu. Regulacija uzbude je korištena od samog početka sekvence zaleta. Za vrijeme zaleta, referentna vrijednost uzbuđenog napona je nazivni napon stroja. Nakon zaleta, u uzbudnom sustavu će se aktivirati regulacija jalove snage. Jalova snaga se može dobiti pomoću izraza:

$$Q = (i_d \psi_d + i_q \psi_q) \omega \quad (7.1)$$

Potpuni simulacijski sustav je prikazan na slici 7.11 te uključuje regulaciju istosmjernog kruga, upravljanje izmjenjivačem, te uzbudni sustav regulacije napona s regulacijom jalove snage.

U simulaciji se najprije obavlja zalet koji traje do 1 sekunde, a zatim se u trenutku $t=1,5$ s uključuje i sustav regulacije jalove snage.



Slika 7.11 Potpuni simulacijski sustav

Na slici (7.12) su opsežno prikazani rezultati pokusa zaleta. Prikazana je brzina rotora te njezino odstupanje od referentne brzine. Prikazan je elektromagnetski moment. Prikazan je kvadrat statorskog toka skupa s referentnom vrijednosti. Također su prikazani napon uzbuđe i jalova snaga.

Odstupanja od referentnih veličina postoje samo u početnom trenutku, a kasnije se zadržavaju ispod 1 posto.

Rezultati observera prigušnih tokova pokazuju da su tijekom cijelog pokusa odstupanja iznosa ispod 2 posto.

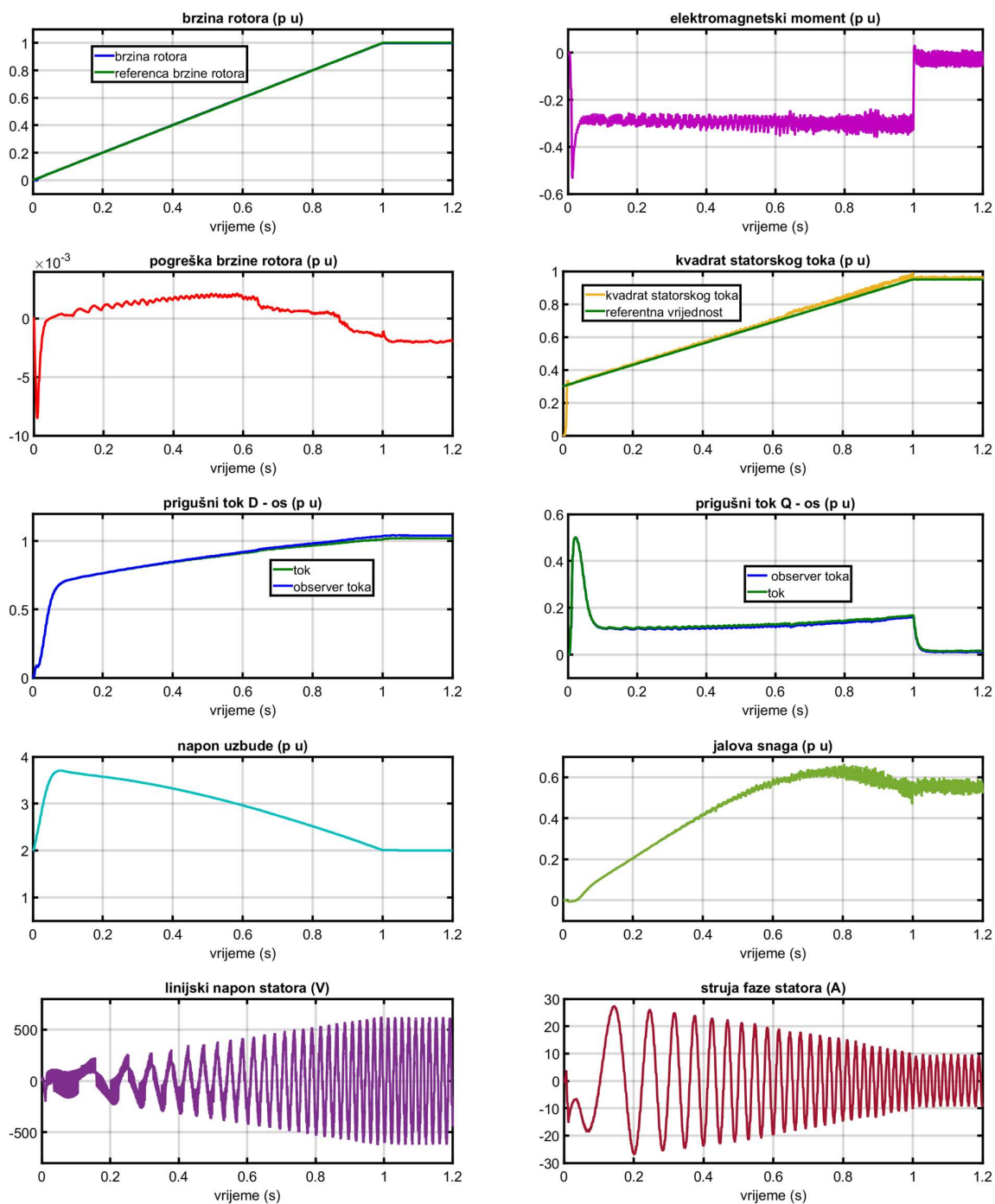
Prikazani su i valni oblici linijskog napona (U_{RS}) statora te jedne faze struje (I_R) statora. Uzbuđom je postignuta nazivna vrijednost napona statora. Slike također pokazuju pravilne valne oblike.

Na slici (7.13) su opsežno prikazani rezultati pokusa regulacije jalove snage. Prikazana je brzina rotora te njezino odstupanje od referentne brzine. Prikazan je elektromagnetski moment. Prikazan je kvadrat statorskog toka skupa s referentnom vrijednosti. Također su prikazani

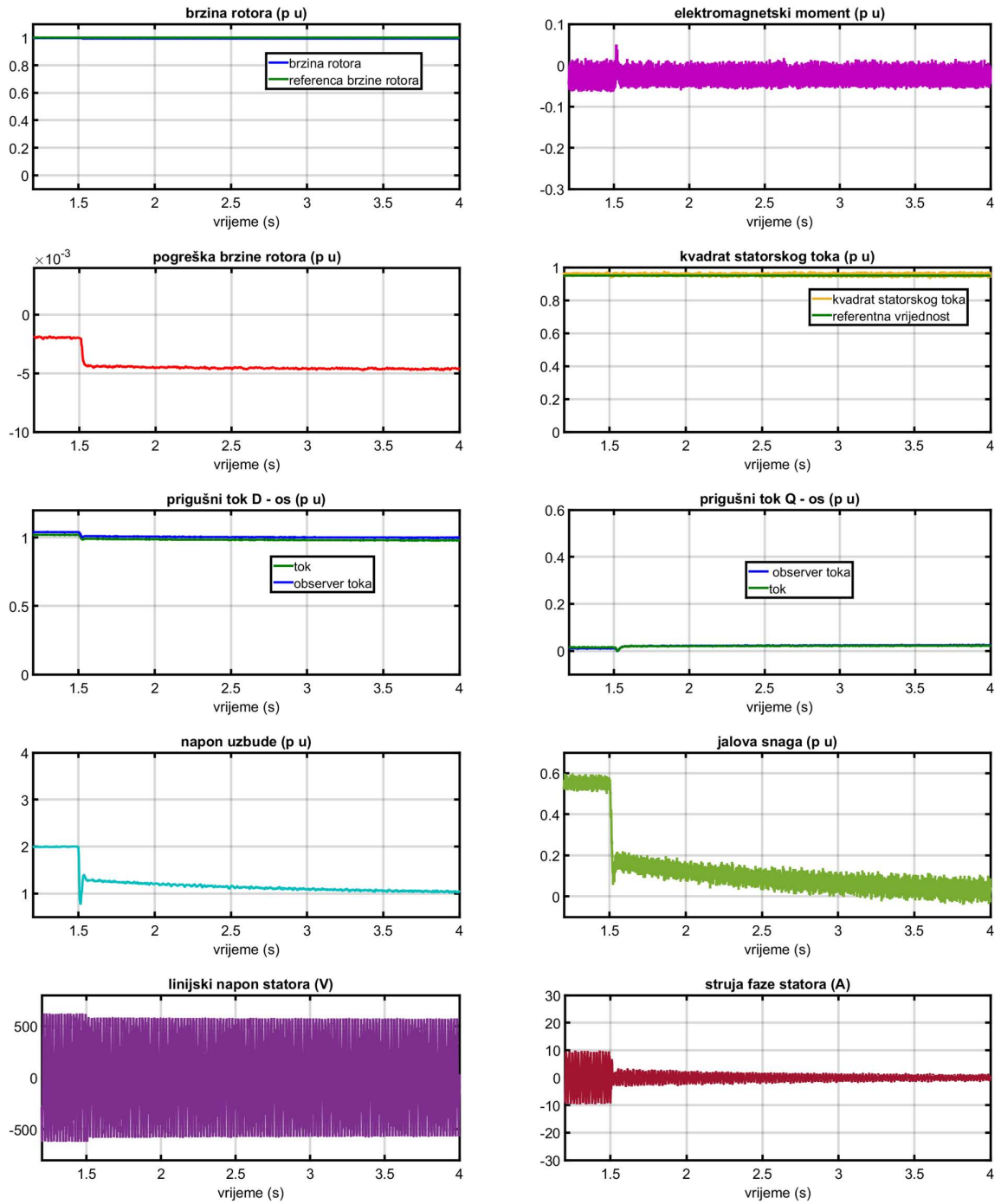
napon uzbude i jalova snaga. Smanjenjem napona uzbude ostvaruje se spuštanje jalove snage na nulu. Odstupanja od referentnih veličina se zadržavaju ispod 1 posto.

Rezultati observera prigušnih tokova pokazuju da su tijekom cijelog pokusa odstupanja iznosa ispod 2 posto. Odstupanje se javlja samo kod observera u d osi.

Prikazani su i pravilni valni oblici linijskog napona (U_{RS}) statora te jedne faze struje (I_R) statora.



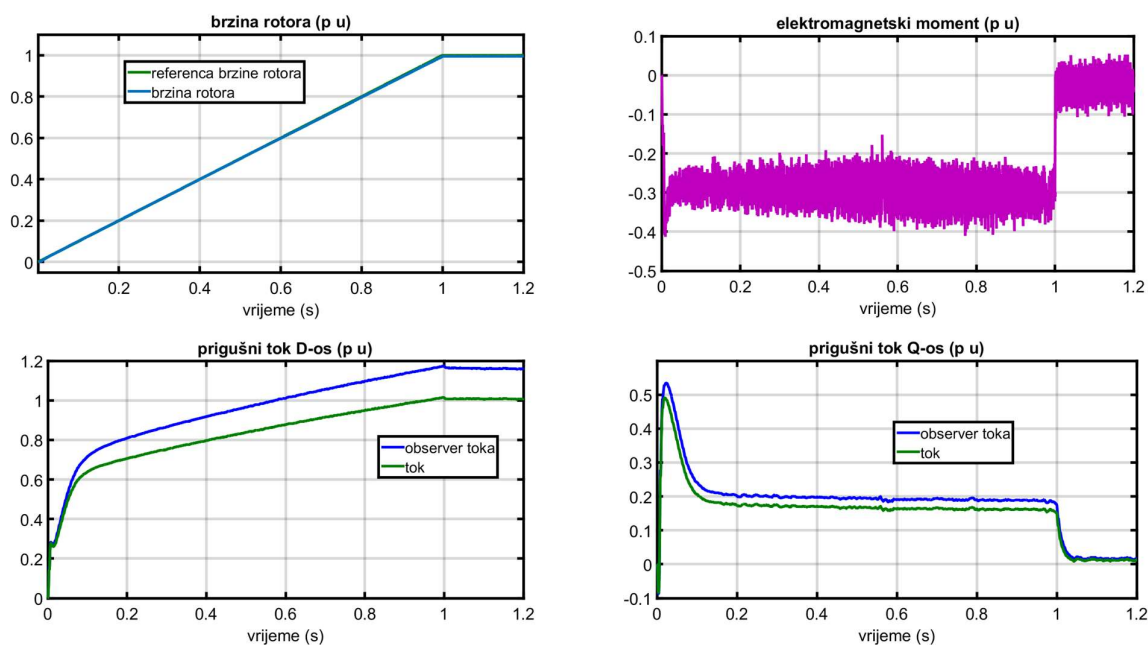
Slika 7.12 Simulacijski rezultati zaleta



Slika 7.13 Simulacijski rezultati regulacije jalove snage

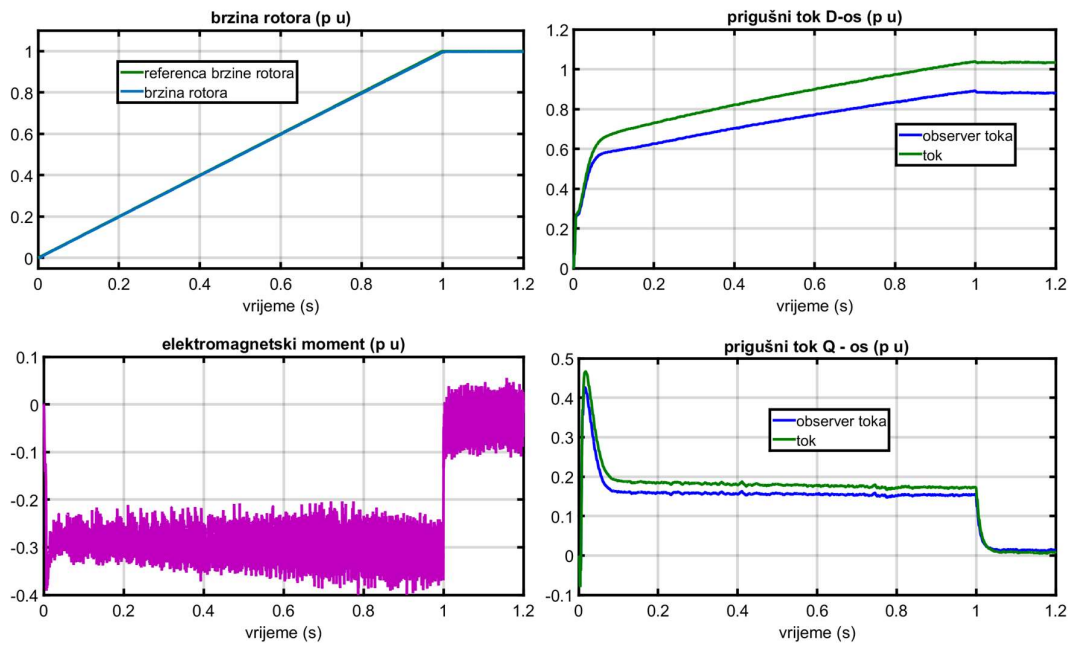
7.4 Simulacijski rezultati pri promjeni induktiviteta sinkronog stroja

Obavljene su simulacije zaleta stroja s tim da su promjene vrijednosti zajedničkih induktiviteta u d , q osima. Vrijednosti su povećane ili smanjene za petnaest posto od nazivnih vrijednosti. Budući da reducirani observer nema konvergenijske koeficijente, kod njega će promjene induktiviteta zasigurno rezultirati najvećim odstupanjima. Na slici 7.14 su prikazani rezultati zaleta pri povećanju obaju inuktiviteta za 15 posto. Estimacija observera premašuje stvarni iznos prigušnog toka u jednakom postotku, međutim sustav upravljanja i dalje precizno obavlja svoju funkciju.



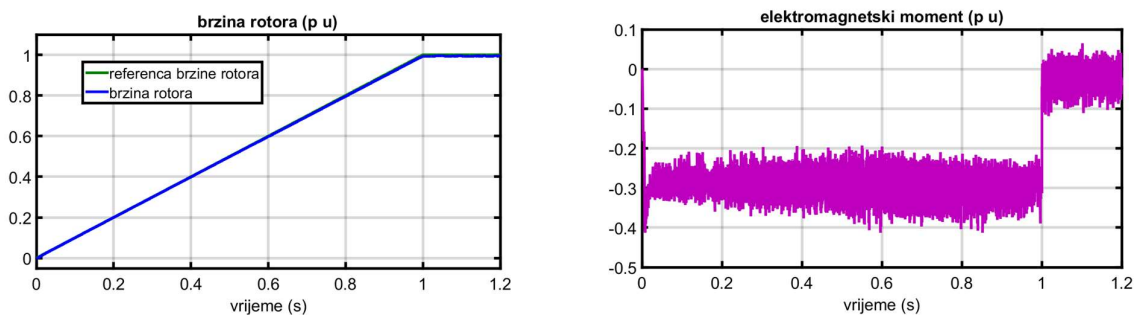
Slika 7.14 Povećanje induktiviteta sinkronog stroja

Na slici 7.15 su prikazani rezultati zaleta pri smanjenju obaju inuktiviteta za 15 posto. Estimacija observera je umanjena u odnosu na stvarni iznos prigušnog toka u jednakom postotku, međutim sustav upravljanja i dalje precizno obavlja svoju funkciju.



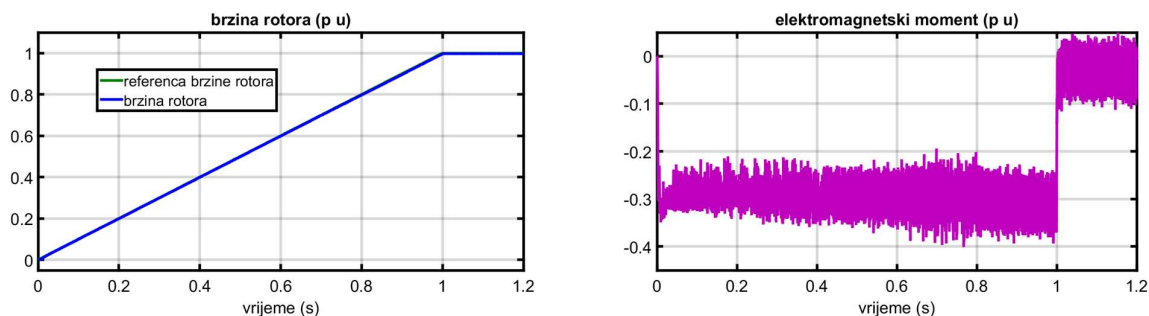
Slika 7.15 Smanjenje induktiviteta sinkronog stroja

Na slici 7.16 su prikazani rezultati zaleta pri povećanju zajedničkog induktiviteta u d osi za 15 posto te smanjenju zajedničkog induktiviteta u q osi za 15 posto. Estimacija observera odstupa sukladno rezultatima u prethodne dvije simulacije, međutim sustav upravljanja i dalje precizno obavlja svoju funkciju.



Slika 7.16 Povećanje induktiviteta u d osi te smanjenje induktiviteta u q osi

Na slici 7.17 su prikazani rezultati zaleta pri smanjenju zajedničkog induktiviteta u d osi za 15 posto te povećanju zajedničkog induktiviteta u q osi za 15 posto. Estimacija observera odstupa sukladno rezultatima u prethodne dvije simulacije, međutim sustav upravljanja i dalje precizno obavlja svoju funkciju.



Slika 7.17 Smanjenje induktiviteta u d osi povećanje induktiviteta u q osi

7.5 Zaključak

Kroz simulacije je provjeren rad observera i sustava upravljanja na primjeru sinkronog stroja manje snage. Svi observeri promatrani zasebno pokazuju dobra svojstva. Dinamika (porasti i padovi) prigušne struje su precizno slijeđeni od strane observera prigušnih struja, dok se pri stacionarnom stanju može pojaviti određena pogreška. Observer prigušnih tokova punog reda pokazuje precizan rad u cijelom području. Manja pogreška može postojati samo na početku zaleta. Observer prigušnih tokova reduciranog reda u zahtjevnijim dinamikama pokazuju mala, ali konstantna odstupanja.

Obavljena je provjera sustava upravljanja izmjenjivačkim dijelom pretvarača, a osim toga i integracija predloženog upravljanja u kompletni sustav s ispravljačkim dijelom pretvarača i regulacijom u uzbudnom krugu. Promatrajući rezultate upravljanja, može se reći da je sa svakim od navedenih observera uspostavljen precizan sustav upravljanja brzinom i magnetskim tokom. Pritom, korištenje observera s prigušnim strujama može unositi velike oscilacije u elektromagnetskom momentu. Svi observeri s prigušnim tokovima su dovoljno pogodni za realizaciju sustava upravljanja, međutim reducirani observer je zbog svoje jednostavnosti korišten u nastavku rada.

Obavljene su i simulacije u kojima su vrijednosti zajedničkih inuktiviteta uvećavani i umanjivani za 15 posto. Promjena induktiviteta stroja neće umanjiti preciznost sustava upravljanja.

8 IZRADA LINEARNOG SUSTAVA UPRAVLJANJA I USPOREDBA S NELINEARNIM

Poglavlje obuhvaća izradu linearnog sustava upravljanja sinkronim strojem. U tu svrhu su izvedene potrebne jednadžbe, obavljena je analiza stabilnosti prema linearnoj teoriji te je izrađena principna shema upravljanja. Obavljene su simulacije, prikazani su rezultati upravljanja te je obavljena usporedba s rezultatima nelinearnog upravljanja za strojeve snaga 8,1 kVA te 1,56 MVA. Tehnički podaci strojeva su dani u tablici 6.1. Simulacije su obavljene tako da su vrijednosti nemjerljivih veličina prigušnih struja te magnetskih tokova potrebnih za izradu sustava linearnog upravljanja preuzete iz modela stroja. Isto tako vrijednost momenta tereta kod nelinearnog sustava upravljanja je smatrana poznatom veličinom.

8.1 Shema linearnog upravljanja

Upravljanje je realizirano pomoću dva kruga. To su povratna veza po brzini vrtnje i povratna veza po magnetskom toku (kako je prikazano na slici 8.1). Svaki krug se sastoji od unutarnjeg i vanjskog regulatora. Pritom se unutarnji regulator koristi za regulaciju struje statora dok se preko vanjskog dijela krugova postiže regulacija osnovnih referenci, brzine vrtnje i magnetskog toka statora.

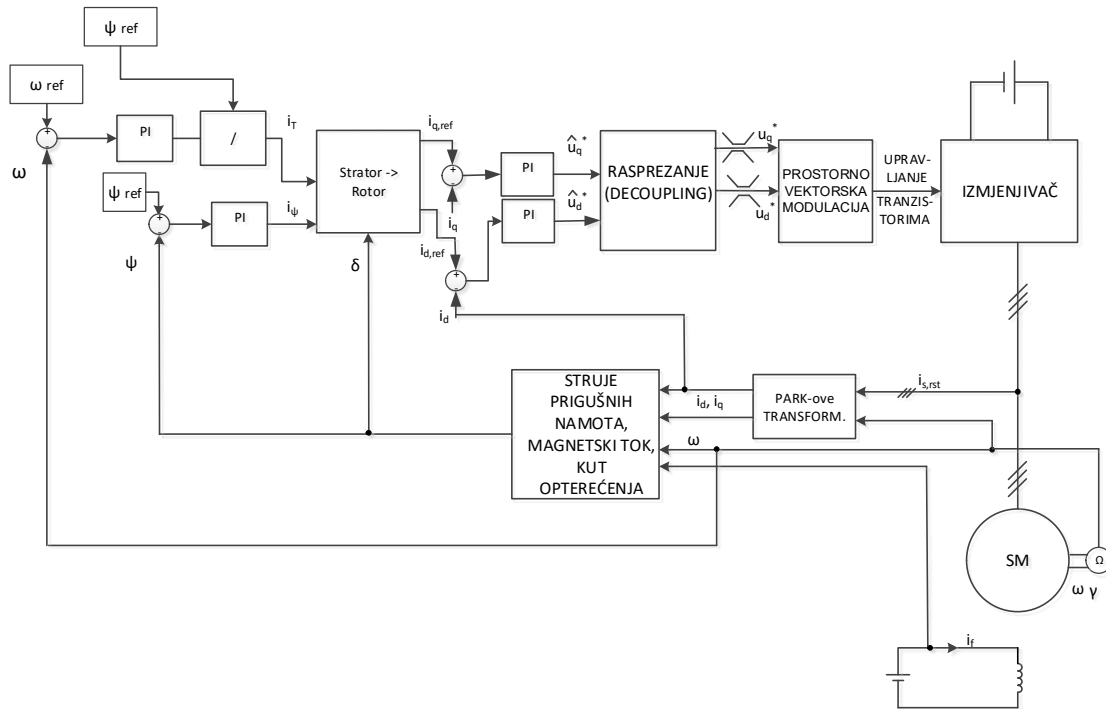
Linearni sustav koristi vektorsko upravljanje. Princip upravljanja je orijentacija prema položaju statorskog toka. Regulacija elektromagnetskog momenta se ne obavlja izravno već se koristi i_T komponenta struje statora. Za regulaciju elektromagnetskog toka koristi se njoj okomita i_ψ komponenta struje statora koja je položena u smjeru statorskog toka.

Da bi se obavila usporedbu sa stvarnim strujama statora, postavne vrijednosti struje je potrebno preračunati iz statorskog u rotorski koordinatni sustav. Zbog toga se obavlja Parkova transformacija iz statorskog u rotorski sustav prema jednadžbama :

$$i_{dref} = i_{\psi ref} \cos \delta + i_{T ref} \sin \delta \quad (8.1a)$$

$$i_{qref} = -i_{\psi ref} \sin \delta + i_{T ref} \cos \delta \quad (8.1b)$$

Iz jednadžbi je vidljivo da je za transformaciju potrebno poznavanje kuta opterećenja. Njegov izračun se može obaviti pomoću proračuna magnetskih tokova [9].



Slika 8.1 Linearno upravljanje sinkronim strojem

8.2 Regulacija struja statora

Koristeći osnovne izraze za dinamiku sinkronog stroja (4.1),(4.2), mogu se izvesti jednadžbe u d,q osima stroja:

$$\frac{L_{md}}{L_f}(-i_f R_f + u_f) - \frac{di_D}{dt} \left(\frac{L_{md}^2}{L_f} - L_{md} \right) + \frac{di_d}{dt} \left(L_d - \frac{L_{md}^2}{L_f} \right) = \varphi_q \omega - i_d R_s + u_d \quad (8.2a)$$

$$R_s i_q - \frac{L_{mq}^2 - L_q L_Q}{L_Q} \frac{di_q}{dt} - \frac{L_{mq} R_Q}{L_Q} i_Q + \omega \varphi_d = u_q \quad (8.2b)$$

Ukoliko se u jednadžbi (8.2a) zanemari dinamika prigušnog namota, dobije se :

$$u_d = R_s i_d + \frac{di_d}{dt} \left(L_d - \frac{L_{md}^2}{L_f} \right) + e_d \quad (8.3a)$$

Uvođenjem pomoćne varijable

$$\hat{u}_d = u_d - e_d \quad (8.3b)$$

dobije se linearna jednadžba prvog reda za struju i_d . Pritom je e_d :

$$e_d = \frac{L_{md}}{L_f}(-i_f R_f + u_f) - \varphi_q \omega \quad (8.3c)$$

Na sličan način se može zapisati i jednadžba (8.2b):

$$u_q = R_s i_q - \frac{L_{mq}^2 - L_q L_Q}{L_Q} \frac{di_q}{dt} + e_q \quad (8.4a)$$

Uvođenjem pomoćne varijable

$$\hat{u}_q = u_q - e_q \quad (8.4b)$$

Dobije se linearna jednadžba prvog reda za struju i_q . Pritom je e_q :

$$e_q = -\frac{L_{mq}R_Q}{L_Q}i_Q + \omega\varphi_d \quad (8.4c)$$

U izradi linearnog zakona upravljanja izrazi za e_d , e_q se u sustavu upravljanja moraju uvesti kao rasprezanje.

Jednadžbe (8.3), (8.4) se uklanjanjem e_d , e_q te transformacijom u Laplaceovu domenu mogu zapisati kao prijenosne funkcije :

$$G(s) = \frac{I_{dq}(s)}{U_{dq}(s)} = \frac{\frac{1}{R_s}}{\tau_{cc,dq}s+1} \quad (8.5)$$

gdje vrijedi:

$$L_{cc,d} = L_d - \frac{L_{md}^2}{L_f}$$

$$L_{cc,q} = L_q - \frac{L_{mq}^2}{L_Q}$$

$$\tau_{cc,d} = \frac{L_{cc,d}}{R_s}$$

$$\tau_{cc,q} = \frac{L_{cc,q}}{R_s}$$

Sada je vidljivo da se za regulaciju struja mogu koristiti PI regulatori oblika:

$$C_{PI}(s) = K_P + \frac{K_I}{s}$$

Odabir parametara PI regulatora se može obaviti sukladno IMC (*eng. Internal Model Control*) [9][58] metodi :

$$K_P = a_{cc}L_{cc,d} \quad (8.6a)$$

$$K_I = a_{cc}R_s \quad (8.6b)$$

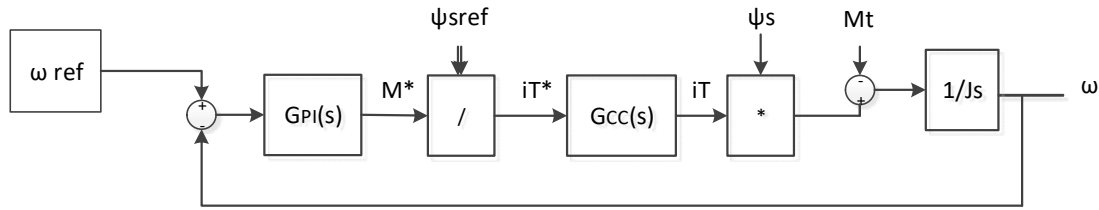
gdje je a_{cc} za sustav prvog reda definiran kao:

$$a_{cc} = \frac{\ln(9)}{t_{r,cc}} \quad (8.7)$$

a $t_{r,cc}$ je vrijeme odziva struje statora koje se kod većine industrijskih aplikacija može postaviti na iznos [58] od 5 ms.

8.3 Regulacija brzine vrtnje i elektromagnetskog momenta

Nakon parametriranja unutarnjih krugova, pristupa se parametriranju vanjskih regulatora. Na slici 8.2 prikazan je krug regulacije brzine vrtnje izražen prijenosnim funkcijama.



Slika 8.2 Krug regulacije brzine vrtnje

Prijenosna funkcija $G_{cc}(s)$ je prijenosna funkcija zatvorenog kruga strujnog regulatora dana u poglavlju 8.2. Izraz za $G_{cc}(s)$ se može izvesti:

$$G_{cc,zk}(s) = \frac{C_{PI}(s)G(s)}{1+C_{PI}(s)G(s)} \quad (8.8a)$$

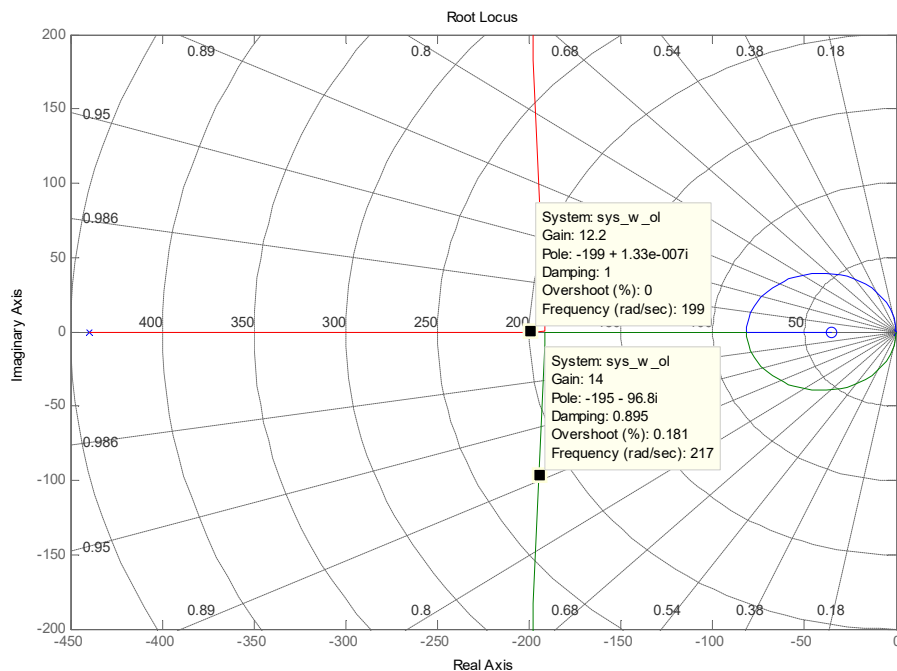
$$G_{cc,zk}(s) = \frac{a_{cc}}{s+a_{cc}} \quad (8.8b)$$

Sukladno slici 8.2 prijenosna funkcija otvorenog kruga brzine vrtnje je:

$$G_{\omega,ok}(s) = \frac{K_{p\omega}(T_{i\omega}s+1)}{T_{i\omega}s} \frac{a_{cc}}{s+a_{cc}} \frac{1}{Js} \quad (8.9)$$

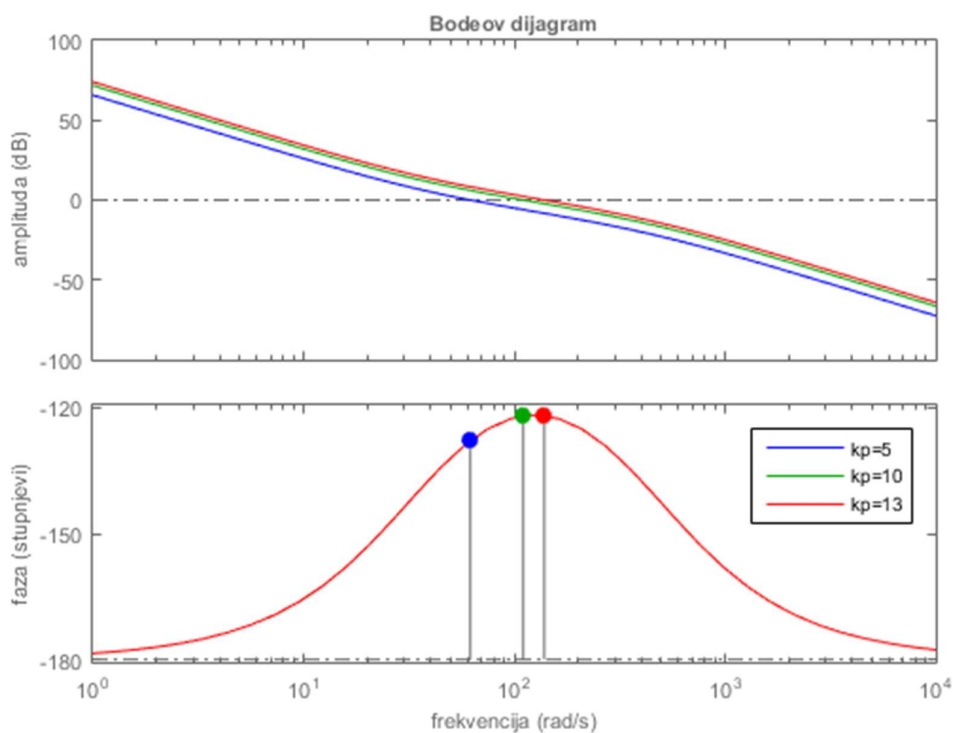
8.3.1 Analiza stabilnosti kruga brzine za stroj 8,1 kVA

Za analizu podešenja korištena je krivulja mjesta korijena (KMK). Prema KMK analizira se prijenosna funkcije otvorenog kruga prema (8.9). Na slici 8.3 je ucrtana KMK te je vidljivo da $K_{p\omega}$ zbog faktora prigušenja ne bi smio prelaziti 14.



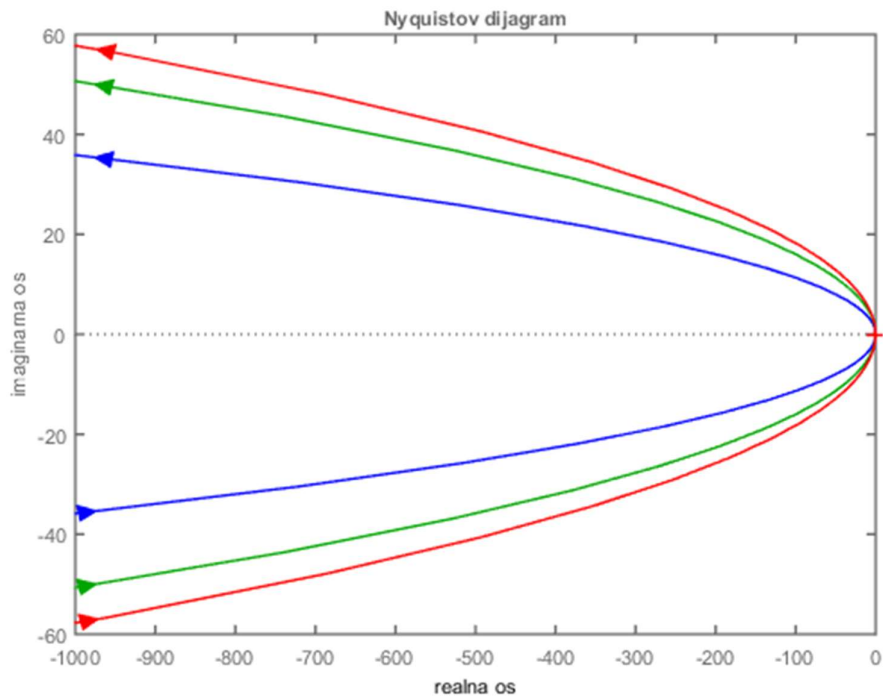
Slika 8.3 Krivulja mjesta korijena za krug brzine vrtnje

Zatim je obavljena analiza stabilnosti korištenjem Bode-ovog te Nyquist-ovog dijagrama. Pritom su korištene tri vrijednosti proporcionalnog člana 5, 10, 13. Prema Bodeovom dijagramu (slika 8.4) amplitudno osiguranje je potpuno dok fazno osiguranje posebice za više iznose proporcionalnog člana iznosi gotovo 60 stupnjeva.



Slika 8.4 Bodeov dijagram za krug brzine vrtnje

Promatrajući Nyquistov dijagram (slika 8.5) očito je da je stabilnost zadovoljena te da se povećanjem proporcionalnog člana ostaje sve dublje u području stabilnosti.



Slika 8.5 Nyquistov dijagram za krug brzine vrtnje

Za daljnju analizu prema zapisu izvedena je funkcija osjetljivosti. Izraz (8.9) se može zapisati:

$$G_{\omega,ok}(s) = P(s)C(s) \quad (8.10a)$$

gdje su:

$$P(s) = \frac{1}{Js} \quad (8.10b)$$

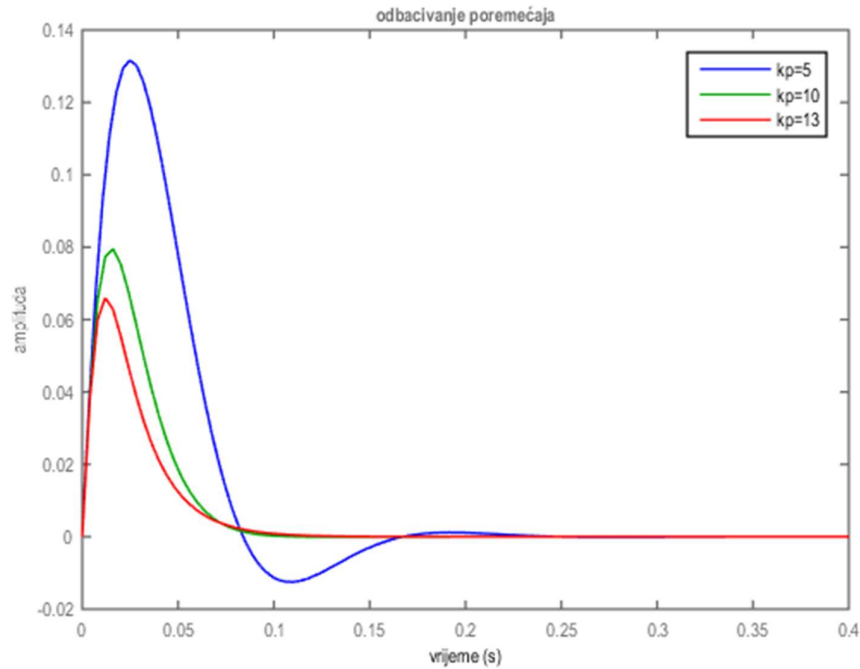
$$C(s) = \frac{Kp\omega(Ti\omega s + 1)}{Ti\omega s} \frac{a_{cc}}{s + a_{cc}} \quad (8.10c)$$

Funkcija osjetljivosti $G_{dy}(s)$ je:

$$G_{dy}(s) = \frac{Y(s)}{D_i(s)} = \frac{P(s)}{1 + P(s)C(s)} \quad (8.11)$$

Na slici 8.6 su prikazani rezultati odbacivanja skokovitog poremećaja za funkciju osjetljivosti.

Odziv pokazuje da za iznose proporcionalnog člana veće od 10 nadvišenje nije veće od 8 posto.



Slika 8.6 Odbacivanje poremećaja za krug brzine vrtnje

Nakon određivanja L_{cc} , sukladno poglavlju 8.2, odredi se i vremenska konstanta unutarnjeg kruga regulacije :

$$T_{i,cc} = \frac{L_{cc}}{R_s} \quad (8.12)$$

Sukladno metodi simetričnih optimuma [9][58], integracijska konstanta kaskadnog regulatora vanjskog kruga treba biti:

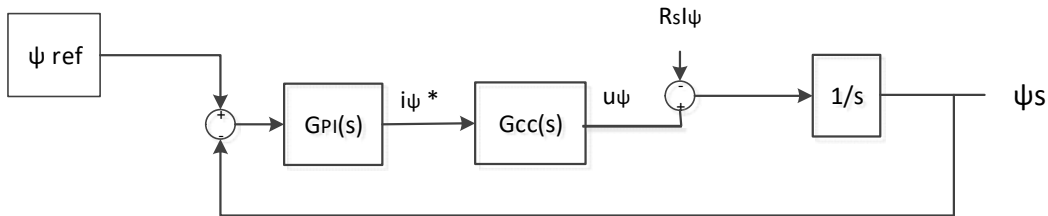
$$T_{i\omega} = 4T_{i,cc} \quad (8.13)$$

Zatim se može izračunati integralni član regulatora:

$$K_{i\omega} = \frac{K_p \omega}{T_{i\omega}} \quad (8.14)$$

8.4 Regulacija magnetskog toka

Slično analizi kruga regulacije brzine vrtnje obavljena je i analiza regulacije magnetskog toka statora. Na slici 8.7 je prikazan regulacijski krug. Prijenosna funkcija $G_{cc}(s)$ je prijenosna funkcija zatvorenog kruga strujnog regulatora kako je već navedeno.



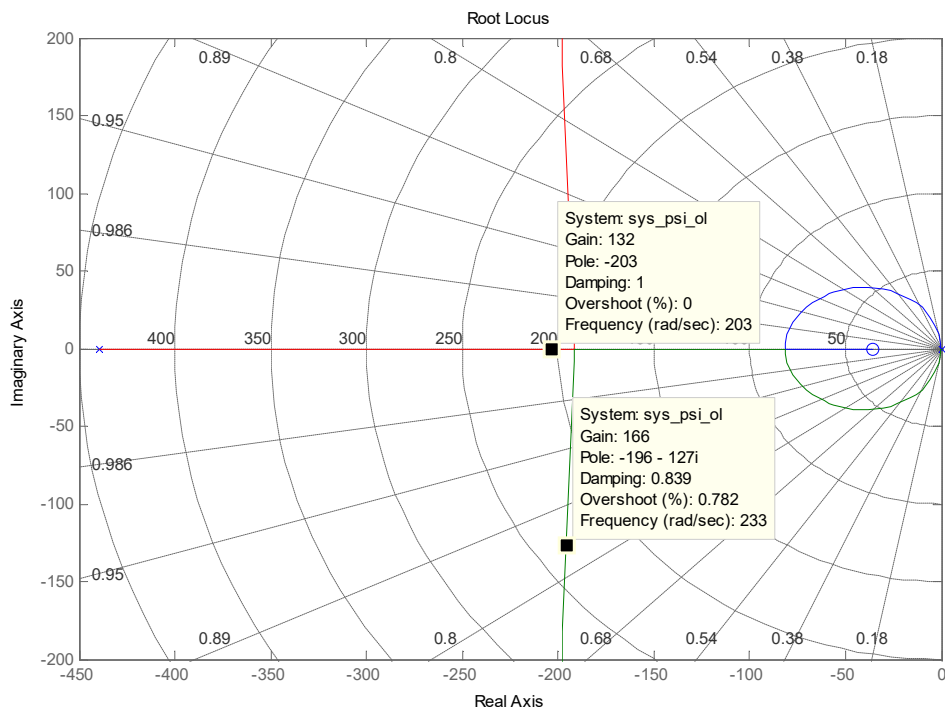
Slika 8.7 Krug regulacije magnetskog toka

Sukladno slici, prijenosna funkcija otvorenog kruga statorskog toka iznosi:

$$G_{\psi,ok}(s) = \frac{K_{p\psi}(T_{i\psi}s+1)}{T_{i\psi}s} \frac{a_{cc}}{s+a_{cc}} \frac{1}{s} \quad (8.15)$$

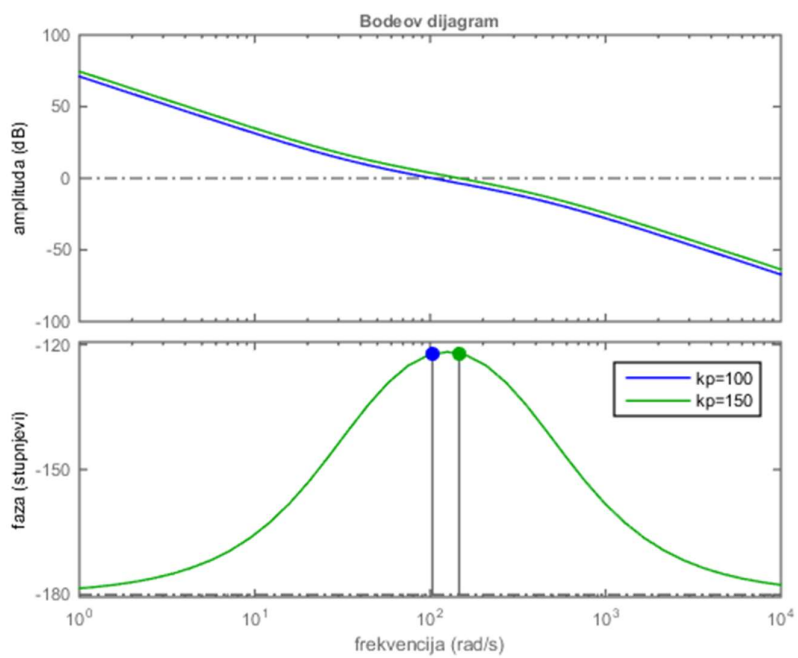
8.4.1 Analiza stabilnosti kruga magnetskog toka za stroj 8,1 kVA

Obavljena je analiza krivulje mjesta korijena (KMK) obzirom na prijenosnu funkciju otvorenog kruga. Slika 8.8 pokazuje da vrijednost proporcionalnog člana regulatora, zbog prigušenja, ne bi smjela prelaziti 150.



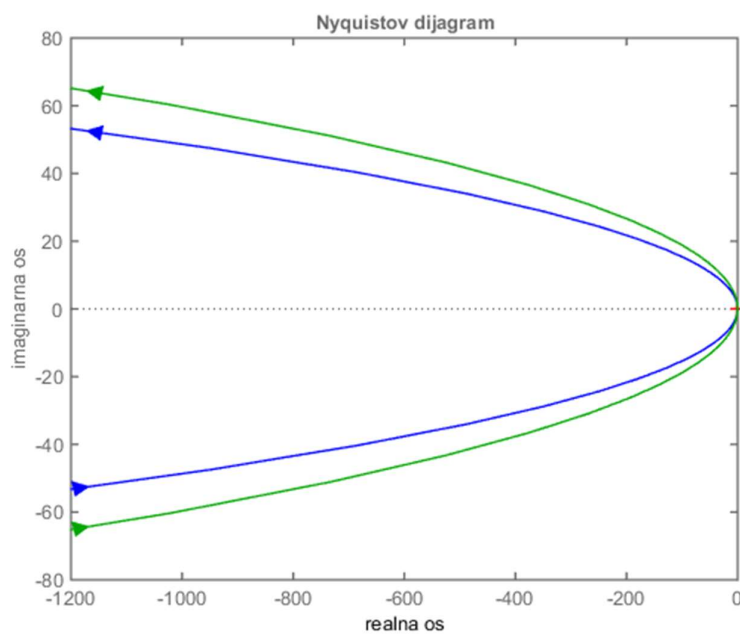
Slika 8.8 Krivulja mjesta korijena za krug magnetskog toka

Iz Bodeovog dijagrama (slika 8.9) se vidi da je fazno osiguranje za proporcionalne parametre iznosa 100 veće od 60 stupnjeva.



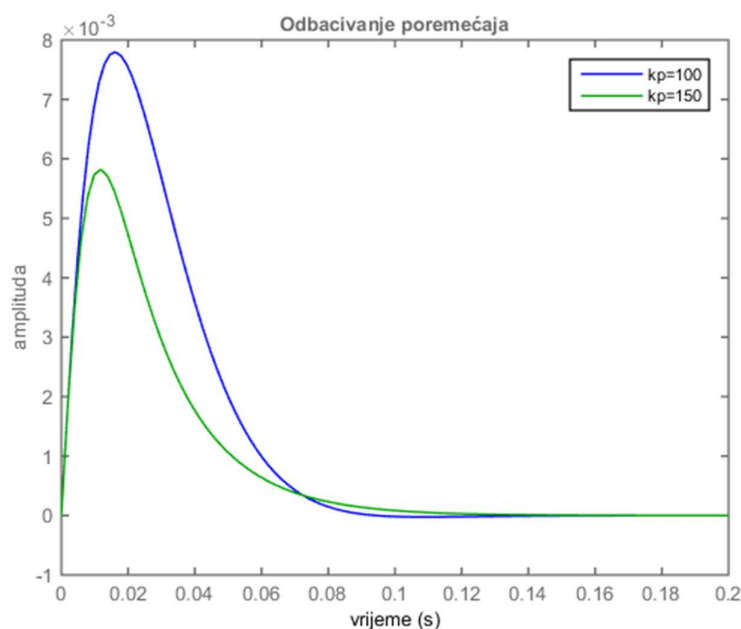
Slika 8.9 Bodeov dijagram za krug magnetskog toka

Nyquistov dijagram (slika 8.10) također pokazuje stabilnost za obje vrijednosti proporcionalnog člana.



Slika 8.10 Nyquistov dijagram za krug magnetskog toka

Također je prikazano odbacivanja skokovitog poremećaja za funkciju osjetljivosti. Slika 8.11 pokazuje da nadvišenje odziva na skokovitu funkciju nije veće od 1 posto.



Slika 8.11 Odbacivanje poremećaja za krug magnetskog toka

8.5 Odabir parametara regulatora za stroj 8,1 kVA

Koristeći analize iz poglavlja 8.3 i 8.4 obavljen je odabir parametra PI regulatora. Najprije su odabrani iznosi P , I regulatora za regulaciju struja statora. Prema analizi iz poglavlja 8.2 izračunaju se najprije:

$$L_{cc,d} = 0,0093 \text{ H te } L_{cc,q} = 0,0106 \text{ H.}$$

Zatim se prema (8.7) izračuna $a_{cc} = 440 \text{ s}^{-1}$.

Sada je moguće prema (8.6a) izračunati proporcionalna pojačanja za regulatore struja i_d , i_q :

$$K_{P,id} = 4,1 \text{ H s}^{-1} \text{ te } K_{P,iq} = 4,7 \text{ H s}^{-1}. \text{ Budući da su iznosi slični u oba slučaja se odabere 4.}$$

Korištenjem (8.6b) se izračunaju pojačanja integralnih članova koja u oba slučaja iznose:

$$K_{I,id} = K_{I,iq} = 581 \text{ } \Omega \text{ s}^{-1}. \text{ Odabrana vrijednost integralnih pojačanja korištena u simulaciji je 100.}$$

Zatim se obavi odabir iznosa P , I regulatora vanjskih krugova brzine vrtnje i magnetskog toka.

Iz (8.13) izračunaju se integracijske vremenske konstante $T_{i\omega} = T_{i\psi} = 0,028 \text{ s}$. Sukladno analizi stabilnosti za krug regulacije brzine vrtnje za proporcionalni član regulatora odabrano je

pojačanje iznosa $K_{P\omega}=13 H s^{-1}$. Za pojačanje integralnog člana $K_{i\omega}$ se prema (8.14) dobije $464 \Omega s^{-1}$. Odabrana vrijednost integralnog člana brzine vrtnje u simulaciji je 100.

Analiza stabilnosti kruga regulacije magnetskog toka pokazuje da iznosi regulatora ne trebaju biti visoki. Zbog toga je odabran iznos proporcionalnog pojačanja $K_{P\psi}$ člana od $10 H s^{-1}$, dok je pojačanje integralnog člana $K_{I\psi}$ postavljeno na $150 \Omega s^{-1}$, što je nešto niže od vrijednosti 357 dobivene proračunom.

8.6 Simulacijski rezultati za stroj 8,1 kVA

S obzirom na razmatran sustav upravljanja te navedena podešenja, obavljena je simulacija zaleta sinkronog stroja 8100 VA. Korištena je frekvencija uzorkovanja od 12 kHz. Rezultati pokazuju usporedbu navedenog linearnog sustava upravljanja s nelinearnim sustavom danim u poglavlju 5. Podešenja upravljanja nelinearnog sustava su dana u tablici 9.1 u sljedećem poglavlju.

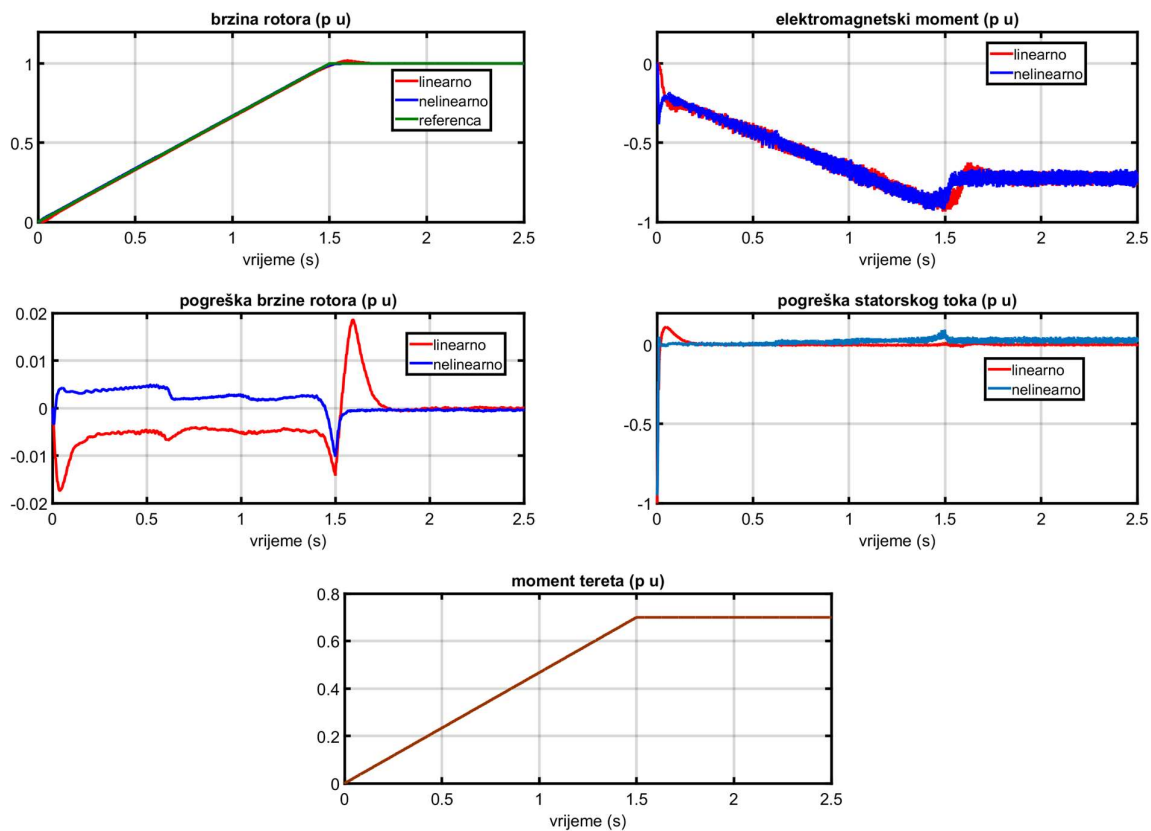
Najprije su prikazani rezultati zaleta pod opterećenjem kod kojeg otpočetak do kraja zaleta postoji linearni rast momenta tereta. Zalet je zbog opterećenja produžen za pola sekunde. Završetkom zaleta brzina i moment zadržavaju nazivne vrijednosti. Zatim je simuliran zalet bez opterećenja sa skokovitim porastima momenta tereta nakon postizanja nazivne brzine. Porasti momenta tereta su iznosa od 50 i 100 posto nazivnog momenta.

Rezultatima su pokazana odstupanja linearnog i nelinearnog sustava upravljanja od referentnih veličina brzine vrtnje i magnetskog toka. Pogreška magnetskog toka se u nelinearnom upravljanju odnosi na kvadrat statorskog toka, dok se u linearnom upravljanju odnosi na statorski tok. Referentna vrijednost magnetskog toka je u oba slučaja jednaka iznosu nazivnog toka statora.

8.6.1 Zalet pod opterećenjem

Na slici 8.12 su prikazani rezultati pokusa zaleta pod opterećenjem. Prikazana je brzina rotora te odstupanja od referentne brzine. Prikazan je elektromagnetski moment. Prikazane su pogreške upravljanja statorskim tokom. Također je prikazan i moment opterećenja.

Odstupanje od referentne brzine kod nelinearnog upravljanja se tijekom cijelog pokusa zadržava ispod 1 posto. Odstupanje od referentne brzine kod linearnog upravljanja na početku zaleta te pri postizanju nazivne brzine prelazi 1 posto. Kod linearnog upravljanja se pri postizanju nazivne brzine također primjećuje i oscilacija brzine i elektromagnetskog momenta. Manje odstupanje od referentnog statorskog toka se kod nelinearnog upravljanja javlja u trenutku postizanja nazivne brzine. Odstupanje od referentnog statorskog toka se kod linearnog upravljanja javlja na početku zaleta.

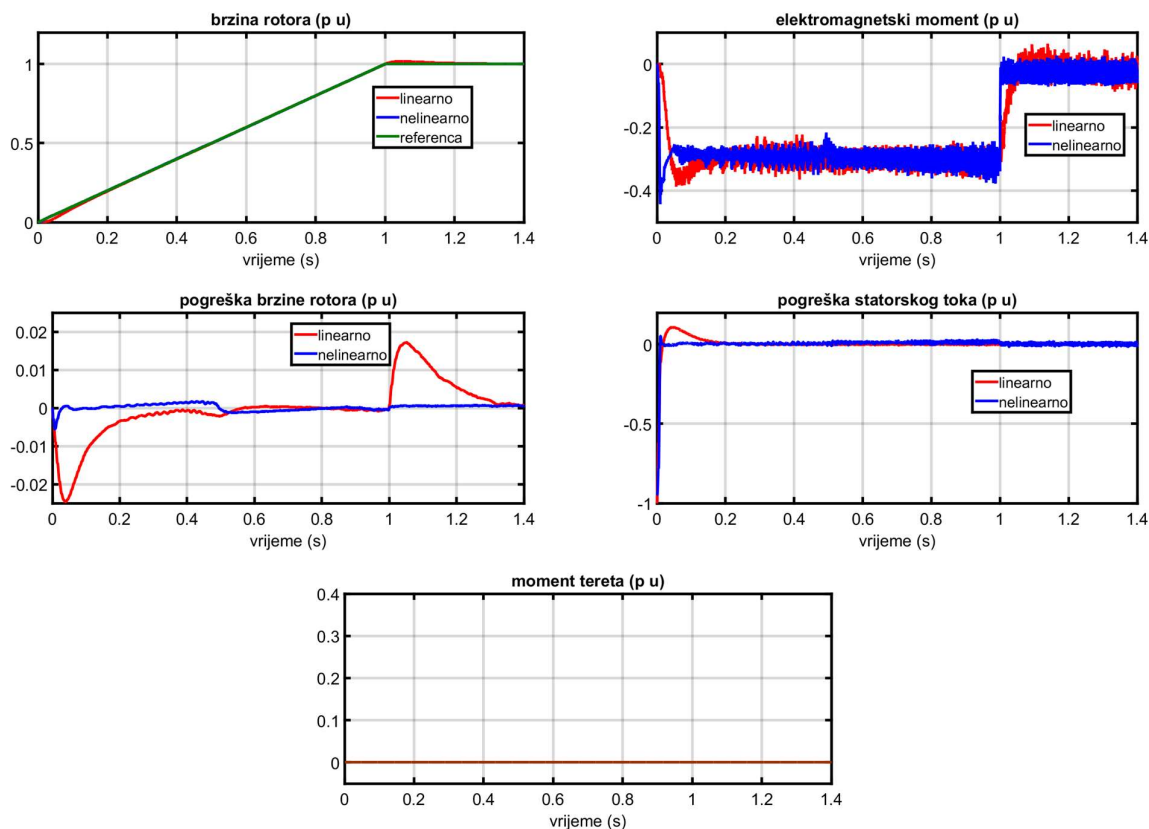


Slika 8.12 Zalet pod opterećenjem

8.6.2 Zalet bez opterećenja

Na slici 8.13 su prikazani rezultati pokusa zaleta bez opterećenja. Prikazana je brzina rotora te odstupanja od referentne brzine. Prikazan je elektromagnetski moment. Prikazane su pogreške upravljanja statorskim tokom. Također je prikazan i moment opterećenja.

Odstupanje od referentne brzine kod nelinearnog upravljanja se tijekom cijelog pokusa zadržava ispod 5 promila. Odstupanje od referentne brzine kod linearnog upravljanja na početku zaleta te pri postizanju nazivne brzine iznose oko 2 posto. Kod nelinearnog upravljanja, tijekom cijelog pokusa zaleta nema odstupanja od referentnog statorskog toka. Odstupanje od referentnog statorskog toka se kod linearnog upravljanja javlja na početku zaleta.



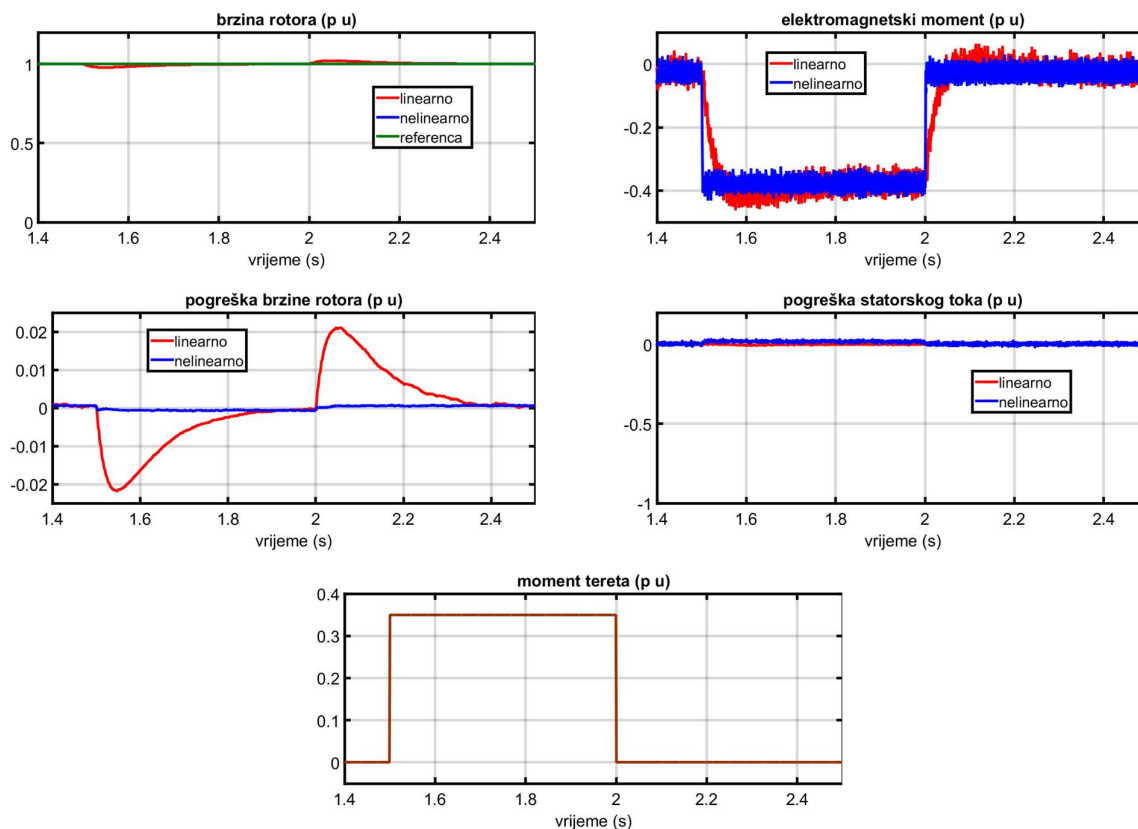
Slika 8.13 Zalet bez opterećenja

8.6.3 Skokovita promjenom momenta od 50 posto nazivnog momenta opterećenja - 0,35 p. u.

Na slici 8.14 su prikazani rezultati pokusa skokovitog opterećenja i rasterećenja u iznosu od 50 posto. Prikazana je brzina rotora te odstupanja od referentne brzine. Prikazan je elektromagnetski moment. Prikazane su pogreške upravljanja statorskim tokom. Također je prikazan i moment opterećenja.

Pri opterećenju i rasterećenju kod linearnog upravljanja dolazi do odstupanja od referentne brzine. Odstupanje iznosi oko 2 posto i potrebno je određeno vrijeme do povratka na nazivnu vrijednost. Kod nelinearnog upravljanja nema odstupanja od referentne brzine.

Odstupanja od referentnog statorskog toka kod oba upravljanja praktično ne postoje.



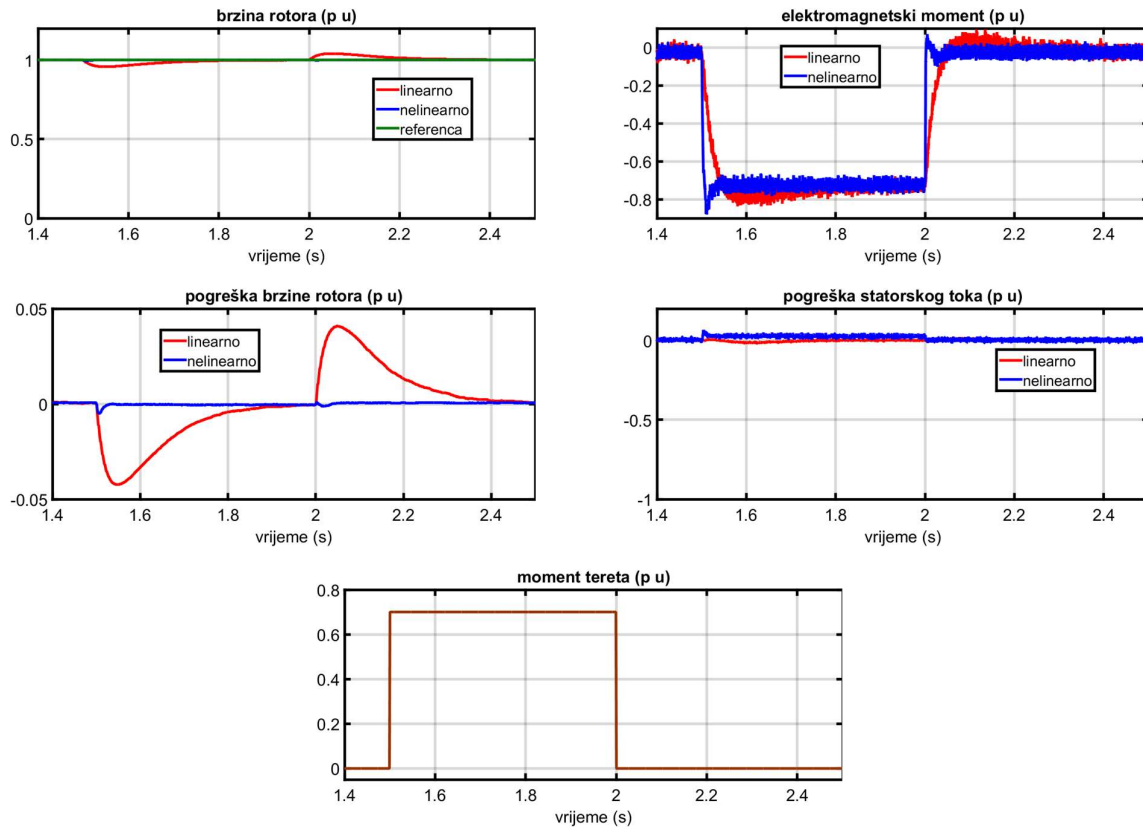
Slika 8.14 Skokovito opterećenje od 50 posto

8.6.4 Skokovita promjenom momenta od 100 posto nazivnog momenta opterećenja - 0,7 p. u.

Na slici 8.15 su prikazani rezultati pokusa skokovitog opterećenja i rasterećenja u iznosu od 100 posto. Prikazana je brzina rotora te odstupanja od referentne brzine. Prikazan je elektromagnetski moment. Prikazane su pogreške upravljanja statorskim tokom. Također je prikazan i moment opterećenja.

Pri opterećenju i rasterećenju kod linearnog upravljanja dolazi do odstupanja od referentne brzine. Odstupanje iznosi oko 4 posto i potrebno je određeno vrijeme do povratka na nazivnu vrijednost. Kod nelinearnog upravljanja odstupanja od referentne brzine u trenucima skokovitih promjena iznosi nekoliko promila.

Odstupanja od referentnog statorskog toka kod linearnog upravljanja nema. Kod nelinearnog upravljanja za vrijeme opterećenja javlja se manje odstupanje od referentnog statorskog toka u iznosu od 2 posto.



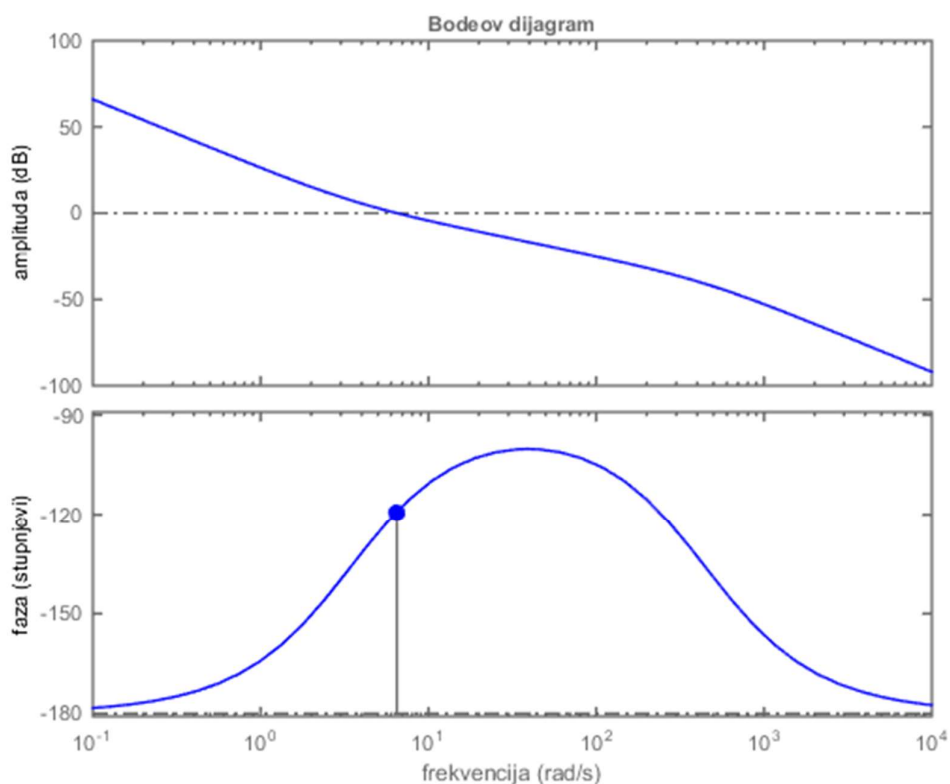
Slika 8.15 Skokovito opterećenje od 100 posto

8.7 Simulacija stroja 1,56 MVA

Koristeći iste principe upravljanja prethodno opisane za stroj od 8,1 kVA, obavljena je analiza te i simulacija za stroj od 1,56 MVA.

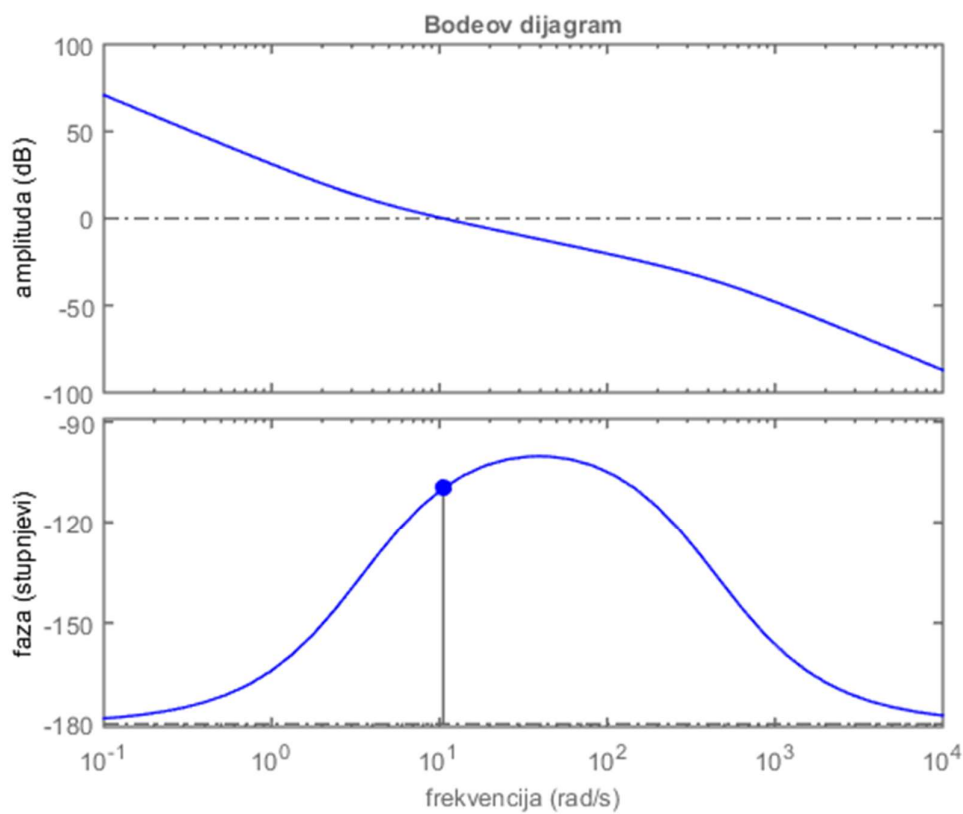
Za regulaciju struje statora, prema točki 8.2, izračuna se da su proporcionalna pojačanja regulatora struja iznosa 8. Integralni faktor pojačanja se optimira na iznos 10. Analiza stabilnosti krugova brzine vrtnje i magnetskog toka je kvalitativno jednaka analizi provedenoj za stroj 8,1 kVA.

Za proporcionalno pojačanje regulatora brzine je odabran iznos 10. Za odabranu vrijednost Bodeov dijagram (slika 8.16) pokazuje fazno osiguranje iznosa 60 stupnjeva.



Slika 8.16 Bodeov dijagram za regulator brzine

Za proporcionalno pojačanje regulatora toka je također odabran iznos 10. Za odabrani iznos Bodeov dijagram (Slika 8.17) pokazuje fazno osiguranje iznosa 70 stupnjeva.



Slika 8.17 Bodeov dijagram za regulator toka

Integracijska pojačanja u krugovima regulacije brzine vrtnje i magnetskog toka su sukladno analizama iz točaka 8.3 te 8.4 odabrana na više iznose od proporcionalnih pojačanja. Iznosi pojačanja su $K_{I\omega}=70$ te $K_{I\psi}=100$. Na veće vrijednosti od navedenih se nije išlo zbog oscilacija u elektromagnetskom momentu.

Podešenja upravljanja nelinearnog sustava su dana u tablici 9.1 u sljedećem poglavlju.

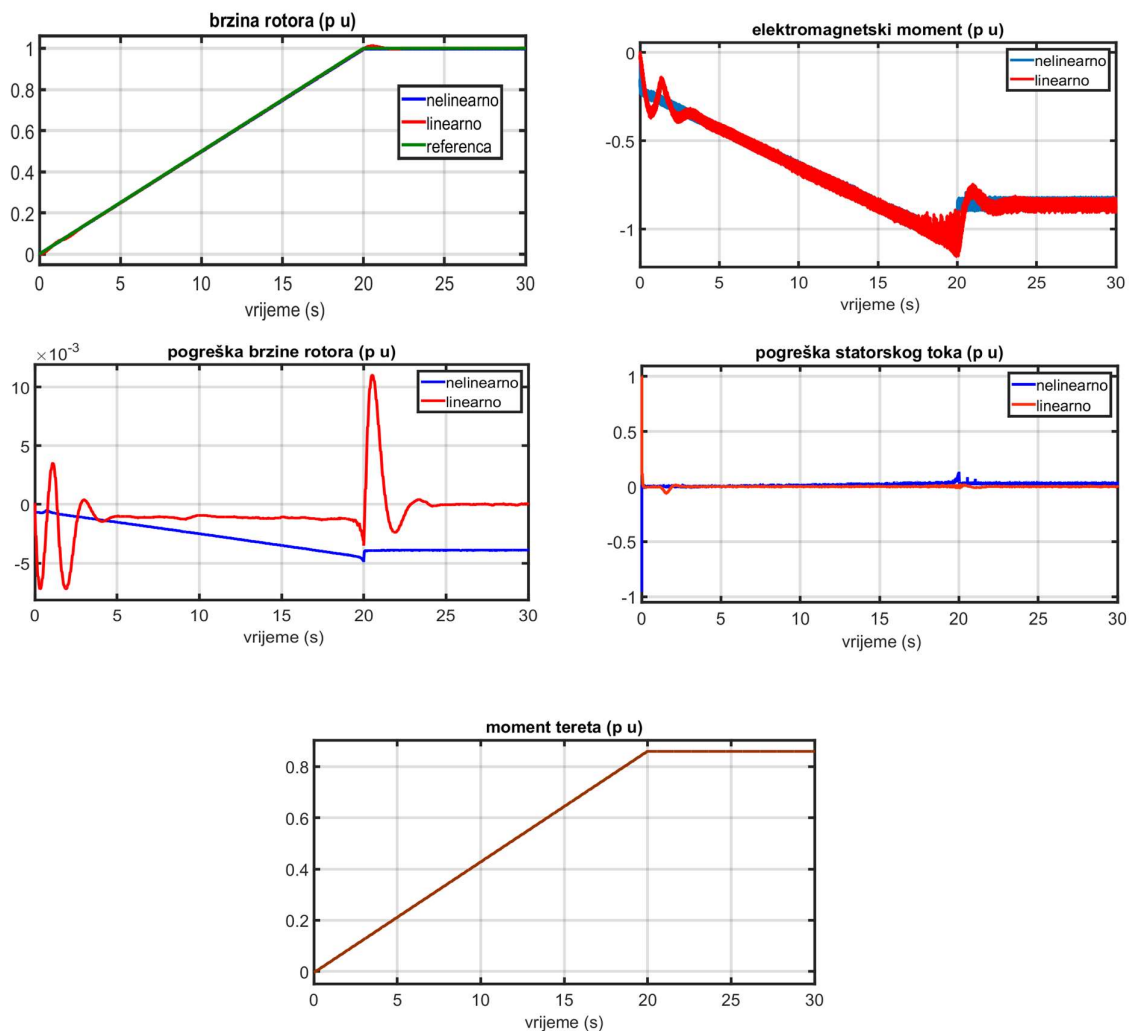
Obavljene su simulacije zaleta pod opterećenjem, zaleta bez opterećenja te skokovitim promjena tereta pri nazivnoj brzini vrtnje na sličan način kao i kod manjeg stroja.

8.7.1 Zalet pod opterećenjem

Na slici 8.18 su prikazani rezultati pokusa zaleta pod opterećenjem. Prikazana je brzina rotora te odstupanja od referentne brzine. Prikazan je elektromagnetski moment. Prikazane su pogreške upravljanja statorskim tokom. Također je prikazan i moment opterećenja.

Odstupanje od referentne brzine kod nelinearnog upravljanja se tijekom cijelog pokusa zadržava ispod 5 promila. Odstupanje od referentne brzine kod linearnog upravljanja postoje na početku zaleta te pri postizanju nazivne brzine u iznosu od 1 posto. Za razliku od linearnog, nelinearno upravljanje zadržava stacionarnu pogrešku iznosa 4 promila.

Kod linearnog upravljanja se pri postizanju nazivne brzine također primjećuje i oscilacija brzine i elektromagnetskog momenta. Manje odstupanje od referentnog statorskog toka se kod nelinearnog upravljanja javlja u trenutku postizanja nazivne brzine. Odstupanje od referentnog statorskog toka se kod linearnog upravljanja javlja na početku zaleta.



Slika 8.18 Zalet pod opterećenjem

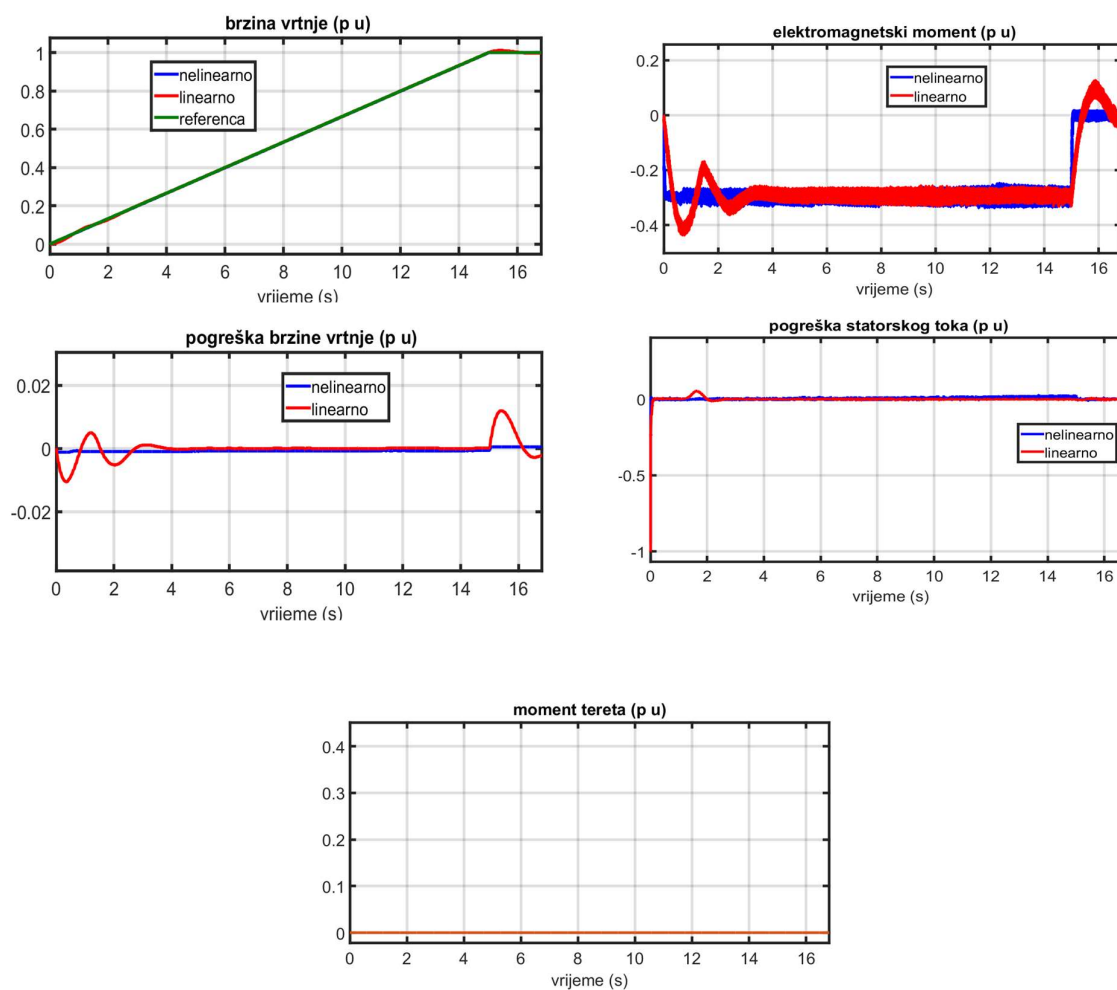
8.7.2 Zalet bez opterećenja

Na slici 8.19 su prikazani rezultati pokusa zaleta bez opterećenja. Prikazana je brzina rotora te odstupanja od referentne brzine. Prikazan je elektromagnetski moment. Prikazane su pogreške upravljanja statorskim tokom. Također je prikazan i moment opterećenja.

Odstupanje od referentne brzine kod nelinearnog upravljanja se tijekom cijelog pokusa zadržava ispod 2 promila. Odstupanje od referentne brzine kod linearnog upravljanja na početku zaleta te pri postizanju nazivne brzine iznose oko 1 posto.

Kod linearnog upravljanja se pri postizanju nazivne brzine također primjećuje i oscilacija brzine i elektromagnetskog momenta.

Kod nelinearnog upravljanja, tijekom cijelog pokusa zaleta nema odstupanja od referentnog statorskog toka. Odstupanje od referentnog statorskog toka se kod linearnog upravljanja javlja na početku zaleta.



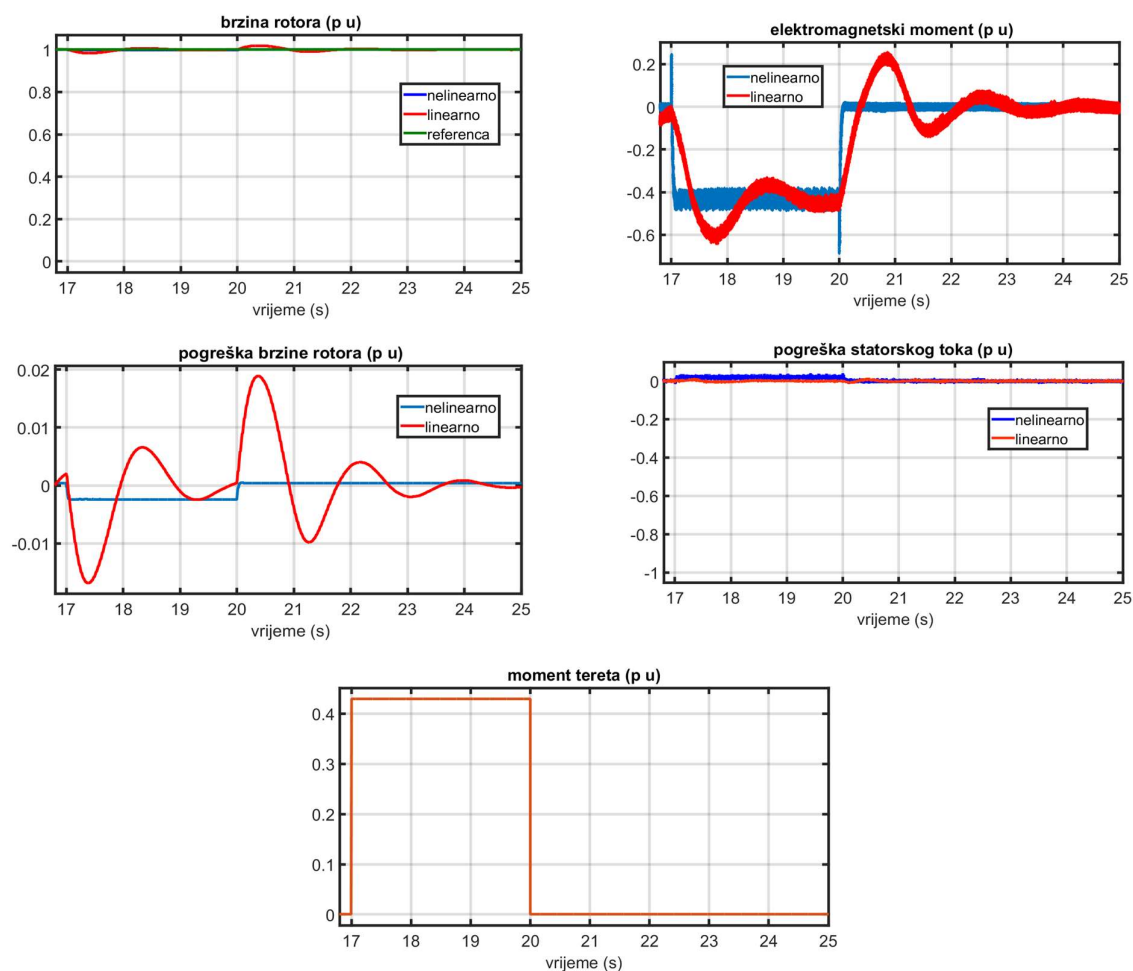
Slika 8.19 Zalet bez opterećenja

8.7.3 Skokovita promjena opterećenja od 50 posto nazivnog momenta opterećenja - 0,45 p. u.

Na slici 8.20 su prikazani rezultati pokusa skokovitog opterećenja i rasterećenja u iznosu od 50 posto. Prikazana je brzina rotora te odstupanja od referentne brzine. Prikazan je elektromagnetski moment. Prikazane su pogreške upravljanja statorskim tokom. Također je prikazan i moment opterećenja.

Pri opterećenju i rasterećenju kod linearnog upravljanja dolazi do odstupanja od referentne brzine. Odstupanje maksimalno iznosi oko 2 posto. Kod nelinearnog upravljanja za vrijeme opterećenja postoji odstupanje iznosa 2 promila. Kod linearnog upravljanja se pri postizanju nazivne brzine također primjećuje i oscilacija brzine i elektromagnetskog momenta.

Odstupanja od referentnog statorskog toka kod nelinearnog upravljanja za vrijeme opterećenja iznosi oko 1 posto.



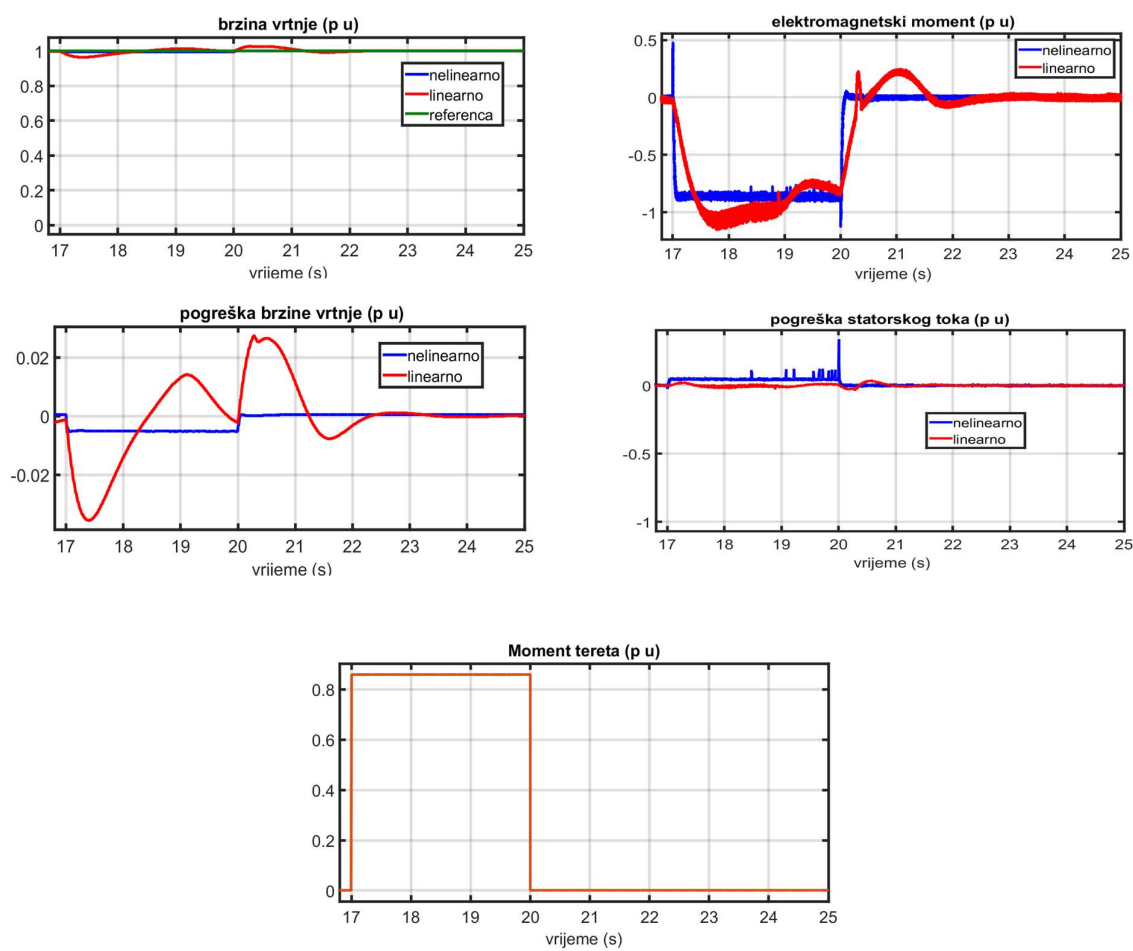
Slika 8.20 Skokovito opterećenje od 50 posto

8.7.4 Skokovita promjena opterećenja od 100 posto nazivnog momenta opterećenja - 0,9 p. u.

Na slici 8.21 su prikazani rezultati pokusa skokovitog opterećenja i rasterećenja u iznosu od 100 posto. Prikazana je brzina rotora te odstupanja od referentne brzine. Prikazan je elektromagnetski moment. Prikazane su pogreške upravljanja statorskim tokom. Također je prikazan i moment opterećenja.

Pri opterećenju i rasterećenju kod linearnog upravljanja dolazi do odstupanja od referentne brzine. Odstupanje maksimalno iznosi oko 4 posto. Kod nelinearnog upravljanja za vrijeme opterećenja postoji odstupanje iznosa 3 promila. Kod linearnog upravljanja se pri postizanju nazivne brzine također primjećuje i oscilacija brzine i elektromagnetskog momenta.

Odstupanja od referentnog statorskog toka kod nelinearnog upravljanja za vrijeme opterećenja iznosi oko 4 posto. Odstupanja od referentnog statorskog toka kod linearnog upravljanja iznosi oko 1 posto.



Slika 8.21 Skokovito opterećenje od 100 posto

8.8 Zaključak

Usporedba linearnog i nelinearnog upravljanja kod oba stroja pokazuje da nelinearno upravljanje ima bolja dinamička svojstva. Pri uvjetima bez opterećenja nelinearno upravljanje pokazuje manje oscilacije. Pri skokovitim promjenama momenta opterećenja zbog linearnog upravljanja stroj ulazi u određenu dinamiku dok ne postigne stabilno stanje, dok je nelinearnim upravljanjem takva dinamika izbjegnuta. Jedini nedostatak nelinearnog upravljanja je stacionarna trajna pogreška koja može iznositi do 5 promila.

9 SIMULACIJE S ESTIMACIJOM MOMENTA OPTEREĆENJA

Poglavlje obuhvaća simulacije upravljanja nelinearnom metodom. Budući da se u prethodnom poglavlju pretpostavilo poznavanje momenta tereta, u ovom je uključena i njegova estimacija. Obavljene su simulacije te su prikazani rezultati upravljanja za strojeve snaga 8,1 *kVA* te 1,56 *MVA*. Za observer nemjerljivih stanja u prigušnom namotu korišten je reducirani observer, a za estimaciju momenta tereta korišten je estimator s *MRAS* sustavom obrađen u poglavlju 4.9.2. Konvergencijski koeficijenti nelinearnog upravljanja su prikazani u tablici 9.1.

Tablica 9.1

Koeficijenti upravljanja	SM1	SM2
k_{p0}	110	80
k_{p1}	40	20
k_{p2}	25	40

Pojačanja PI regulatora za estimaciju momenta opterećenja su prikazani u tablici 9.2.

Tablica 9.2

Koeficijenti estimatora	SM1	SM2
P	50	40
I	30	20

9.1 Simulacijski rezultati za stroj 8,1 *kVA*

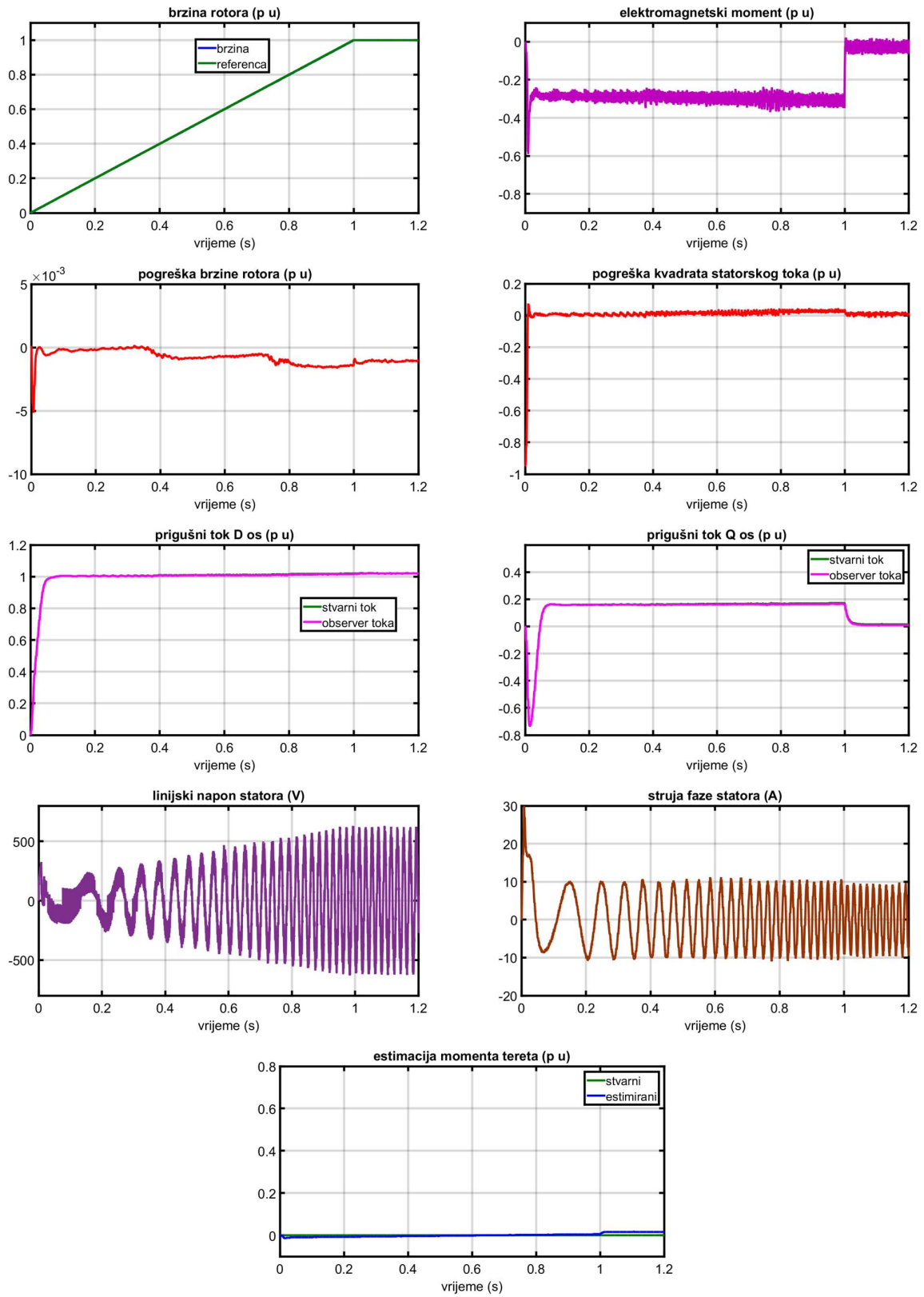
S obzirom na razmatran sustav upravljanja obavljena je simulacija zaleta sinkronog stroja 8100 *VA*. Korištena je frekvencija uzorkovanja od 12 *kHz*. Zalet traje jednu sekundu; u trenutku 1,25 sekundi dolazi do skokovitog povećanja momenta opterećenja, a nakon jedne sekunde i do skokovitog rasterećenja.

Najprije je simuliran zalet bez opterećenja sa skokovitim porastima momenta tereta nakon postizanja nazivne brzine. Porasti momenta tereta su iznosa od 50 i 100 posto nazivnog momenta.

Zatim su prikazani rezultati zaleta pod opterećenjem kod kojeg otpočetak do kraja zaleta postoji linearni rast momenta tereta. Zalet je zbog opterećenja produžen za pola sekunde.

9.1.1 Zalet bez opterećenja

Na slici 9.1 su prikazani rezultati zaleta bez opterećenja.

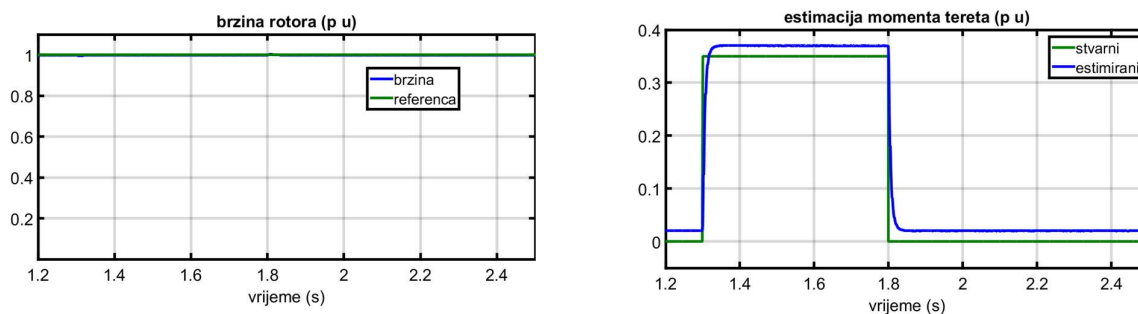


Slika 9.1 Zalet bez opterećenja

Prikazani rezultati pokazuju da je postignuta gotovo točno nazivna brzina vrtnje iako postoji pogreška estimacije momenta tereta u iznosu od oko 3 posto. Odstupanje kvadrata statorskog toka kao ni pogreške observera magnetskog toka prigušnog namota praktično ne postoje. Prikazani su i valni oblici linijskog napona (U_{RS}) statora te jedne faze struje (I_R) statora. Slike pokazuju pravilne valne oblike.

9.1.2 Skokovita promjena opterećenja od 50 posto nazivnog momenta opterećenja - 0,35 p. u.

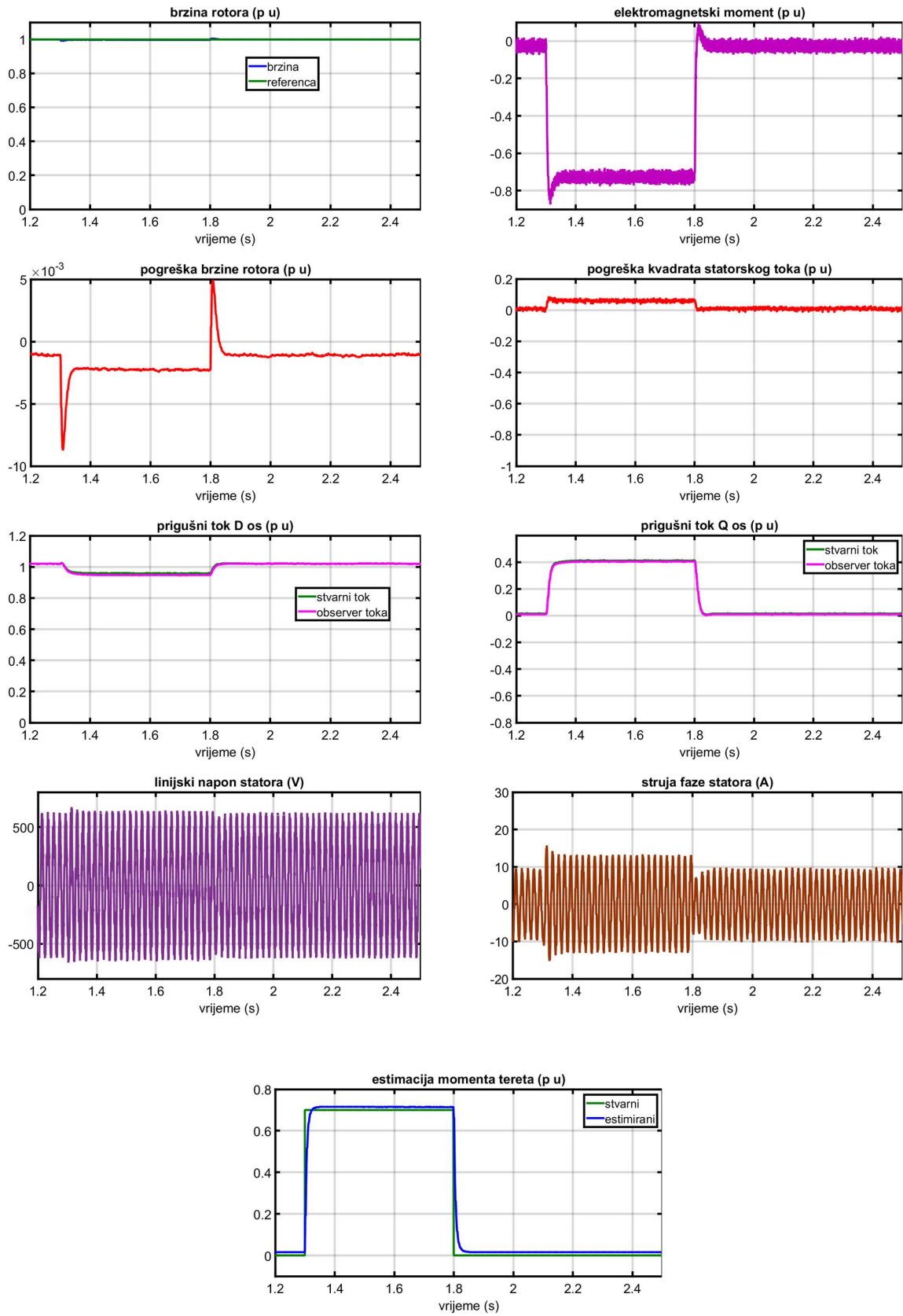
Na slici 9.2 su prikazani rezultati pokusa sa skokovitom promjenom opterećenja iznosa 50 posto. Rezultati pokazuju da je postignuta gotovo točno nazivna brzina vrtnje iako postoji pogreška estimacije momenta tereta u iznosu od oko 3 posto.



Slika 9.2 Skokovito opterećenje od 50 posto

9.1.3 Skokovita promjena opterećenja od 100 posto nazivnog momenta opterećenja – 0,75 p.u.

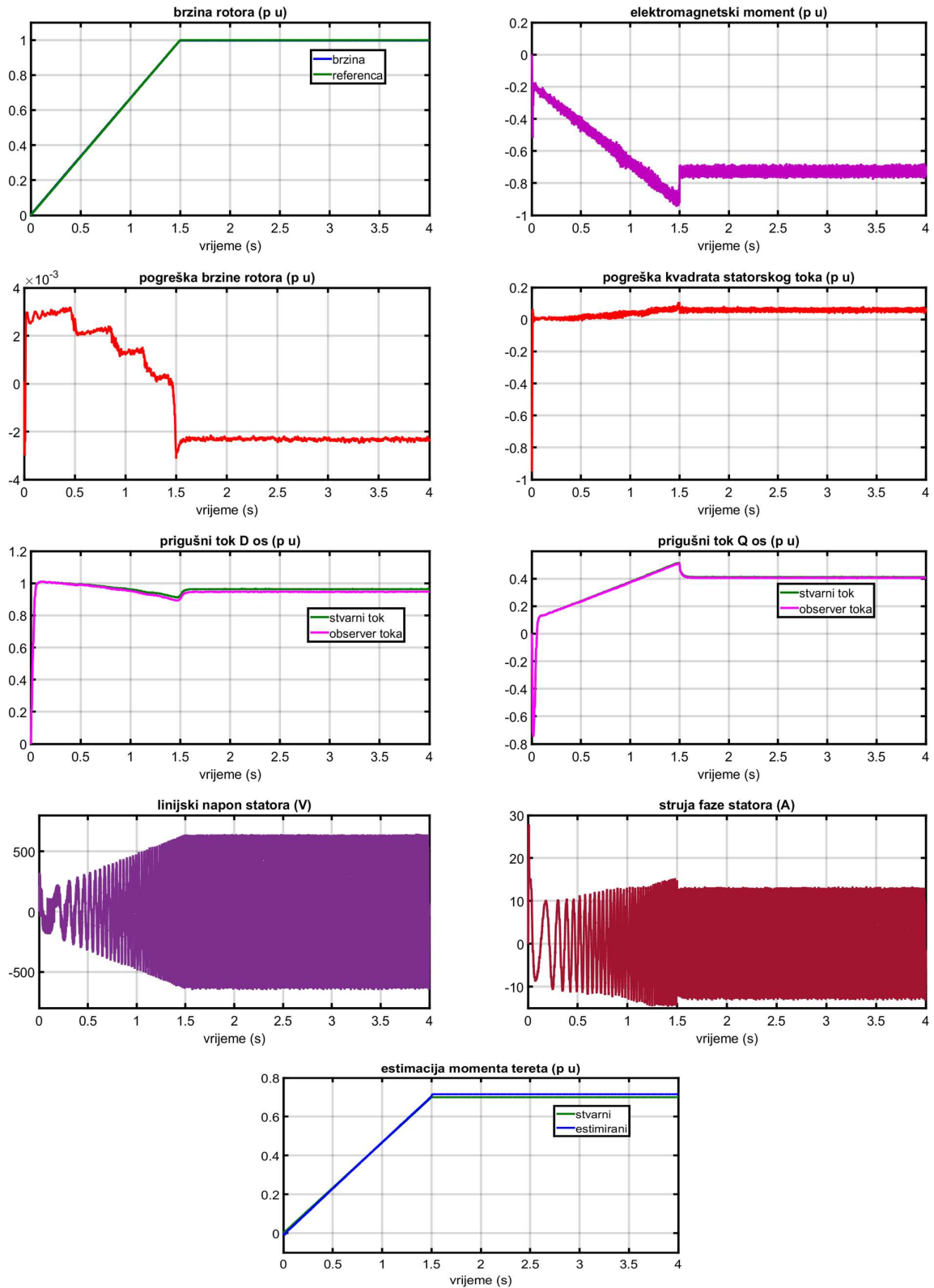
Na slici 9.3 su opsežno prikazani rezultati pokusa sa skokovitom promjenom opterećenja iznosa 100 posto. Odstupanje brzine pri skokovitim promjenama uzrokuje pogrešku ispod 1 posto. Pritom se pogreška estimacije momenta tereta zadržava na razini 3 posto nazivne vrijednosti. Pogreška kvadrata statorskog toka se događa pri opterećenju, a iznosi oko 5 posto. Pogreška observera prigušnog toka tijekom cijelog pokusa iznosi ispod 1 posto. Prikazani su i valni oblici linijskog napona (U_{RS}) statora te jedne faze struje (I_R) statora. Slike pokazuju pravilne valne oblike.



Slika 9.3 Skokovito opterećenje od 100 posto

9.1.4 Zalet pod opterećenjem

Na slici 9.4 su opsežno prikazani rezultati zaleta pod opterećenjem.



Slika 9.4 Zalet pod opterećenjem

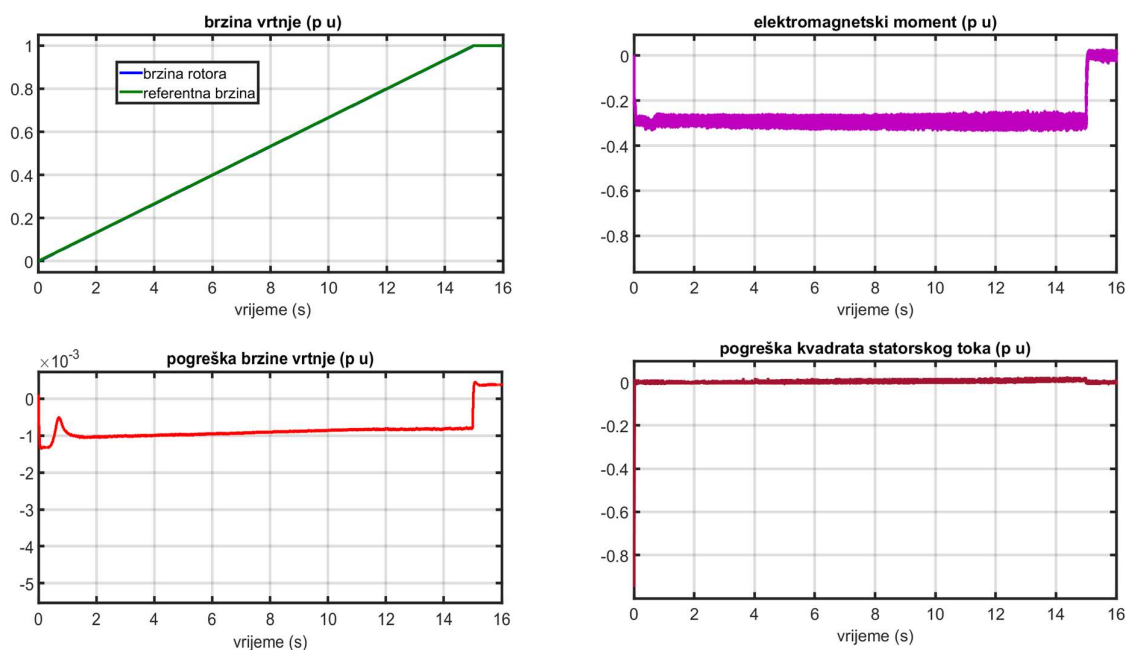
Odstupanje brzine rotora od referentne vrijednosti koje je kroz cijelu dinamiku u iznosu ispod 4 promila nazivne vrijednosti. Pogreška kvadrata statorskog toka ne prelazi više od 6 posto. Observeri prigušnih tokova pokazuju odstupanje ispod 1 posto nazivne vrijednosti. Estimacija momenta tereta pokazuje odstupanja ispod 4 posto. Prikazani su i valni oblici linijskog napona (U_{RS}) statora te jedne faze struje (I_R) statora. Slike pokazuju pravilne valne oblike.

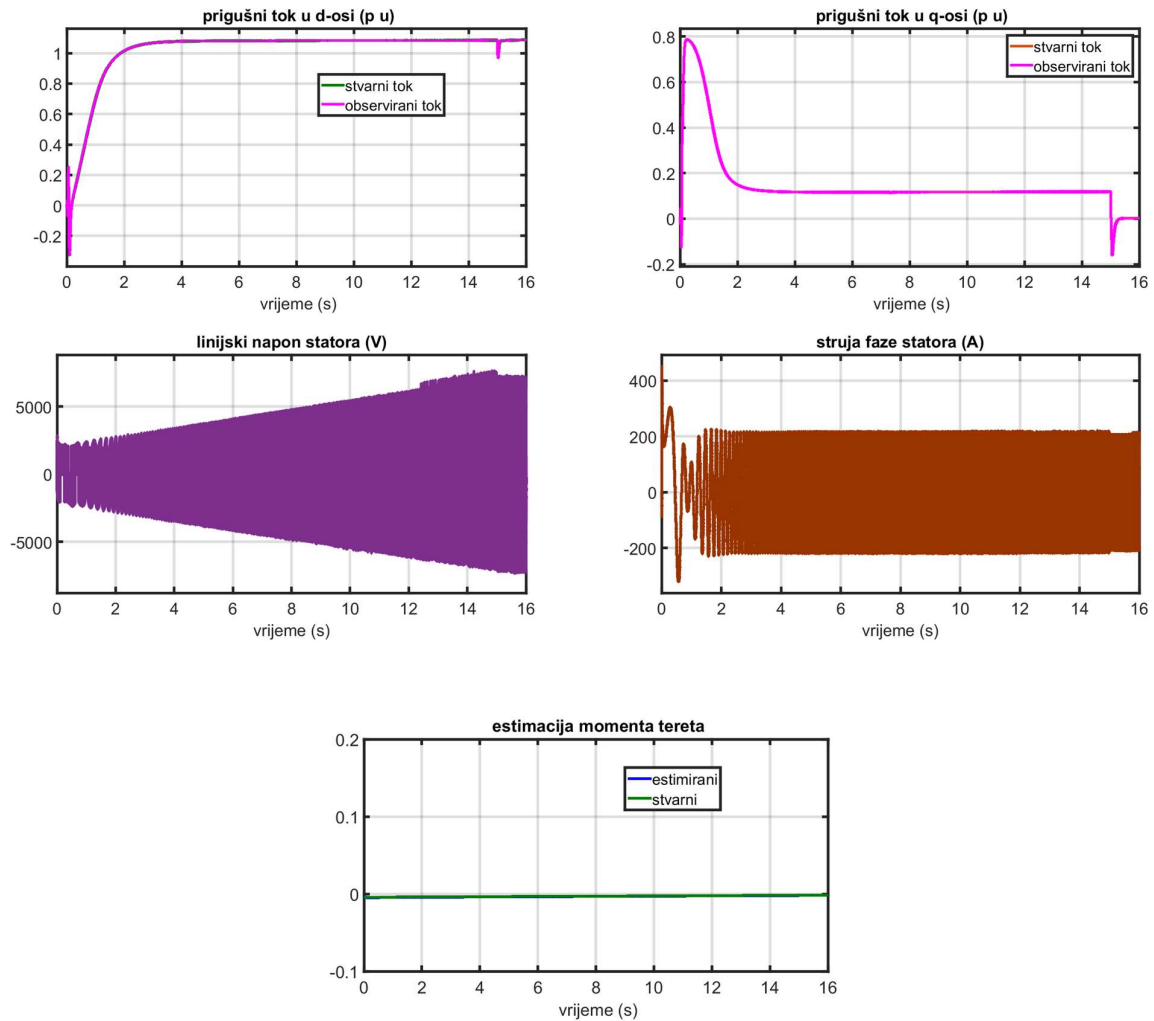
9.2 Simulacija stroja 1,56 MVA

Koristeći iste uvjete upravljanja prethodno opisane za stroj od 8,1 kVA, obavljena je i simulacija za stroj od 1,56 MVA. Obavljeni su pokusi zaleta bez opterećenja, skokovite promjene od 50 i 100 posto momenta tereta te pokus s linearnim porastom momenta tereta.

9.2.1 Zalet bez opterećenja

Na slici 9.5 opsežno su prikazani rezultati zaleta bez opterećenja. Rezultati pokazuju da pogreška slijedenja referentne brzine iznosi oko 1 promil. Pogreška kvadrata statorskog toka je iznosom ispod 1 posto. Pogreška observera tokova prigušnih namota također iznosi ispod 1 posto. Estimacija opterećenja također ne pokazuje odstupanje. Valni oblici napona (U_{RS}) i struje (I_R) su pravilni.

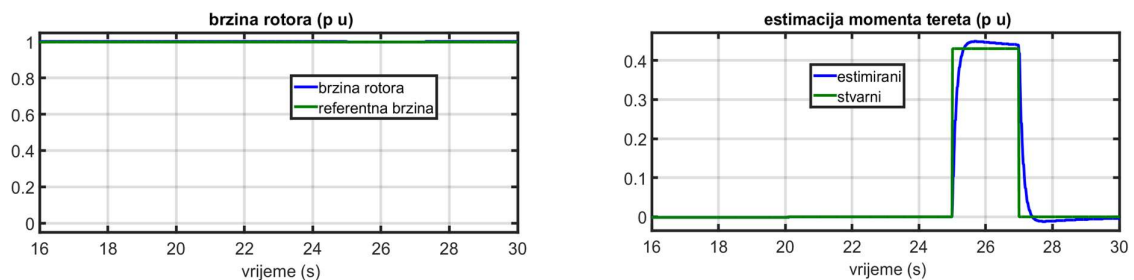




Slika 9.5 Zalet bez opterećenja

9.2.2 Skokovita promjena opterećenja od 50 posto nazivnog momenta opterećenja – 0,45 p.u.

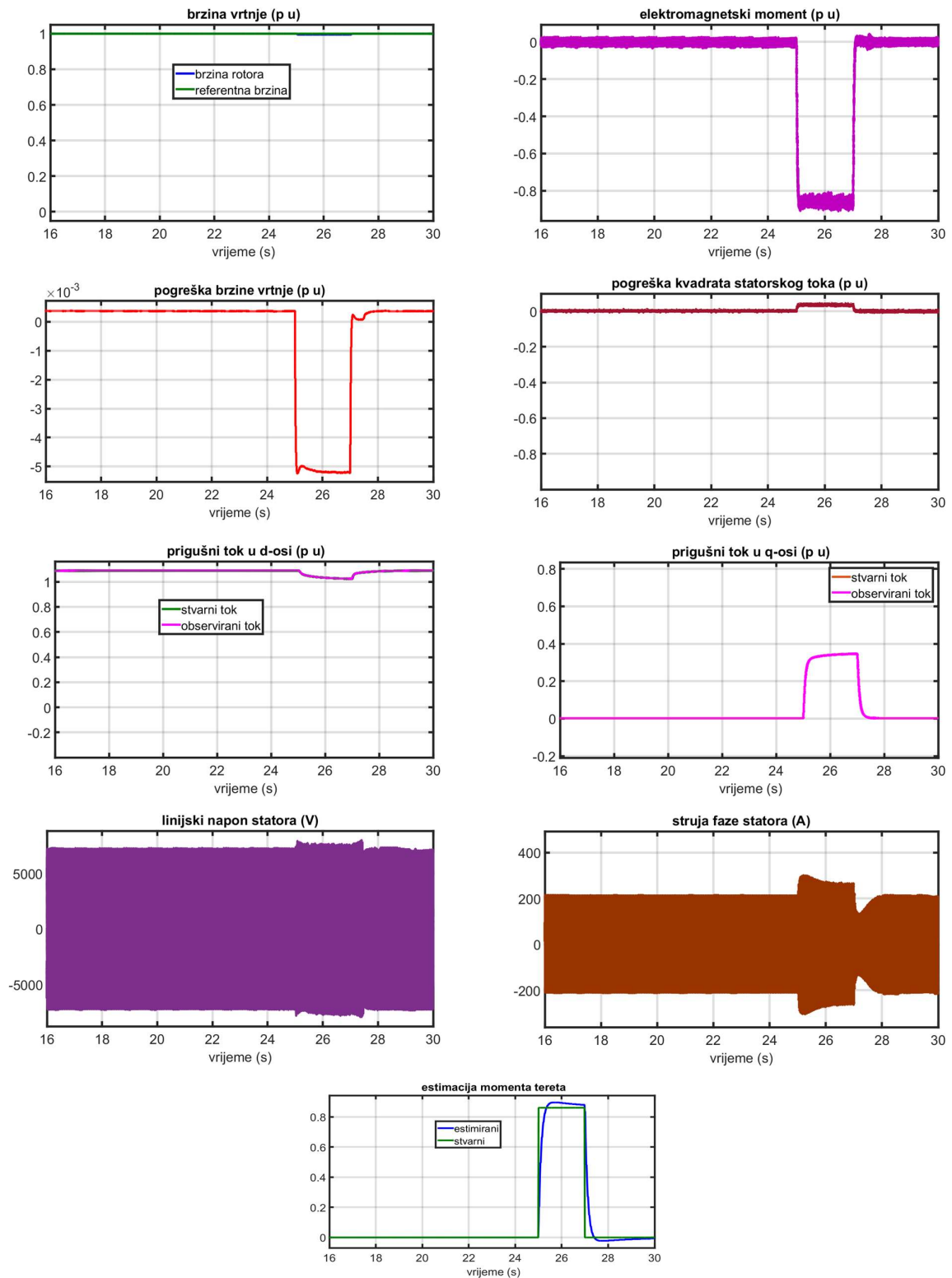
Na slici 9.6 su prikazani rezultati pokusa sa skokovitom promjenom opterećenja iznosa 50 posto. Rezultati pokazuju da je postignuta gotovo točno nazivna brzina vrtnje iako postoji pogreška estimacije momenta tereta u iznosu od oko 3 posto.



Slika 9.6 skokovito opterećenje od 50 posto

9.2.3 Skokovita promjena opterećenja od 100 posto nazivnog momenta opterećenja - 0,9 p.u.

Na slici 9.7 su opsežno prikazani rezultati pokusa sa skokovitim opterećenja iznosa 100 posto.



Slika 9.7 Skokovito opterećenje od 100 posto

Odstupanje brzine pri skokovitim promjenama uzrokuje pogrešku od 5 promila. Pritom se pogreška estimacije momenta tereta zadržava na razini 3 posto nazivne vrijednosti. Pogreška kvadrata statorskog toka se događa pri opterećenju, a iznosi oko 4 posto.

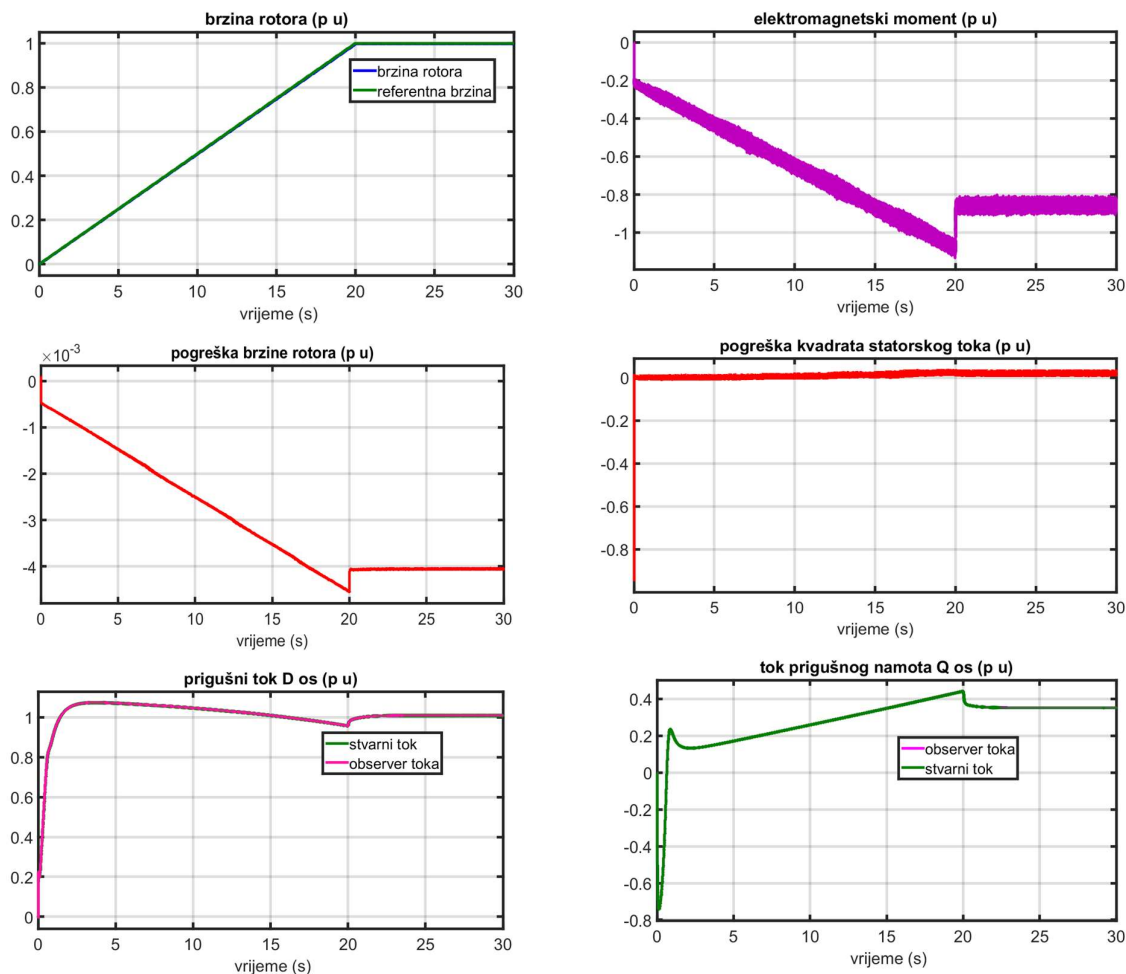
Pogreška observera prigušnog toka tijekom cijelog pokusa iznosi ispod 1 posto.

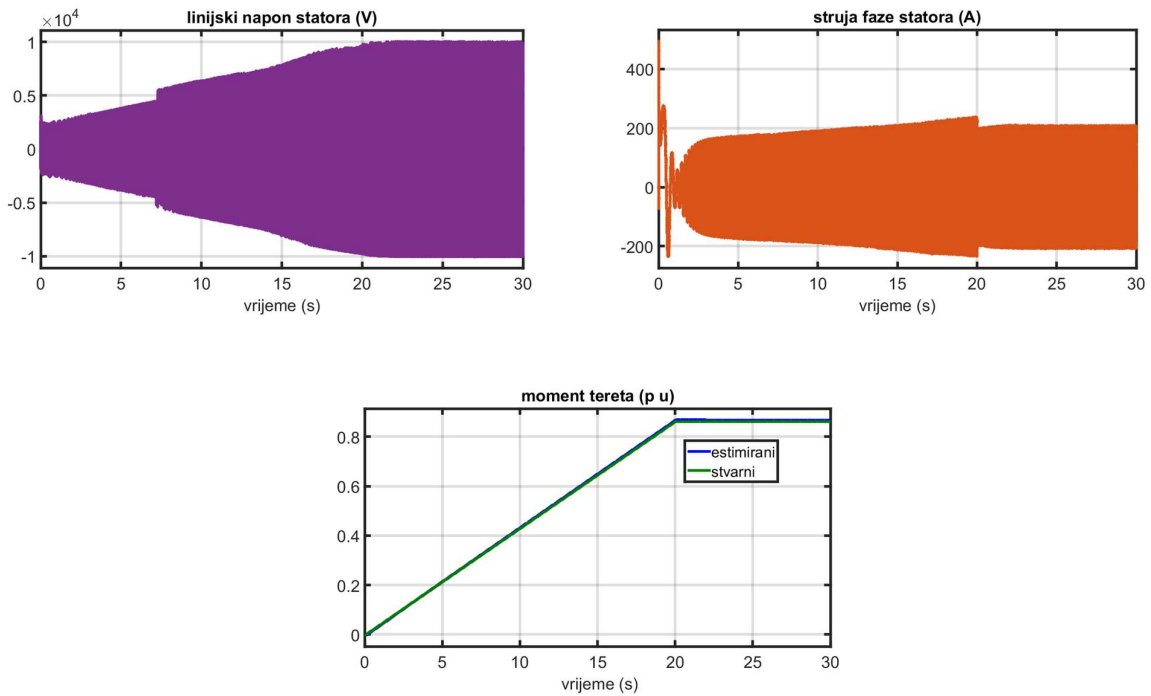
Prikazani su i valni oblici linijskog napona (U_{RS}) statora te jedne faze struje (I_R) statora.

9.2.4 Zalet pod opterećenjem

Obavljen je pokus zaleta s linearnim porastom momenta opterećenja čiji su rezultati prikazani na slici 9.8. Odstupanje brzine rotora od referentne vrijednosti iznosi maksimalno 5 promila.

Pogreška u upravljanju kvadratom statorskog toka ne iznosi više od 4 posto. Pogreške observera prigušnih tokova su ispod 1 posto. Estimacija momenta tereta prikazana pokazuje maksimalnu pogrešku od stvarne vrijednosti u iznosu ispod 3 posto. Također su prikazani napon (U_{RS}) i struja (I_R) statora.





Slika 9.8 Zalet pod opterećenjem

9.3 Zaključak

U sustav upravljanja uključena je i estimacija momenta opterećenja. Obavljeni su pokusi zaleta bez opterećenja, zaleta s opterećenjem te skokovite promjene momenta opterećenja kod oba stroja.

Rezultati pokazuju da je maksimalni iznos pogreške estimacije opterećenja u svim slučajevima ispod 5 posto. Pogreška estimacije proizlazi iz izračuna elektromagnetskog momenta koji je obavljen pomoću observera tokova prigušnog namota. Budući da observer prigušnog toka sadrži neku pogrešku, ista se prenosi i u estimaciju momenta tereta. Elektromagnetski moment se može izračunati i pomoću radne snage pa se pogreška estimacije može umanjiti. Bez obzira na estimaciju momenta opterećenja, sustav upravljanja brzinom vrtnje zadržava preciznost s pogreškom ispod 1 posto. Zbog toga je navedenu estimaciju moguće koristiti zajedno s observerima nemjerljivih stanja.

10 ISPITIVANJE S PROCESOROM U PETLJI

10.1 Uvod

Razvoj proizvoda je obilježen pronalaženjem i rješavanjem pogrešaka i manjkavosti. Često se pogreške, ako se kasno pronađu, pokažu vremenski i financijski vrlo značajnima. Smatra se da trošak otklanjanja pogrešaka vremenom eksponencijalno raste pa je svima cilj što prije ih otkriti i razriješiti. Razvoj programskih okruženja te elektronike je omogućio nastanak tzv. metoda ispitivanja zasnovanih na modelu. Na području ugradbenih računalnih sustava nastala je cijela klasifikacija modelskog ispitivanja [59]. Ista je u višoj ili manjoj mjeri primjenjiva i kod sustava upravljanja električnim strojevima [60].

Simulacije obavljene u prethodnim poglavljima pripadaju prvoj fazi testiranja koja se zove model u petlji (*MiL*). Kod ispitivanja *MiL*-a su i energetske i upravljački dio sustava simulirani na istom računalu.

Nakon toga se može obaviti i ispitivanje s procesorom u petlji (*PiL*). Ispitivanje s procesorom u petlji omogućuje provjeru algoritma upravljanja. Pritom se algoritam upravljanja pretvara u programski kod, kompajlira i izvodi na ciljnom procesoru dok se energetske krug simulira na stolnom računalu. Za realizaciju je potrebno povezati ciljani procesor sa stolnim računalom i ostvariti njihovu međusobnu komunikaciju.

PiL ispitivanja je moguće provoditi u zatvorenoj (eng. *Closed loop*) i otvorenoj (eng. *Open loop*) petlji. U prvom slučaju je sustav upravljanja u zatvorenoj petlji s energetske krugom. Otvorena petlja se obično koristi za usporedbu estimatora, observera isl. odnosno njihovog rada u simuliranoj i realnoj okolini.

10.2 Povezivanje računala s procesorom

U radu su korišteni:

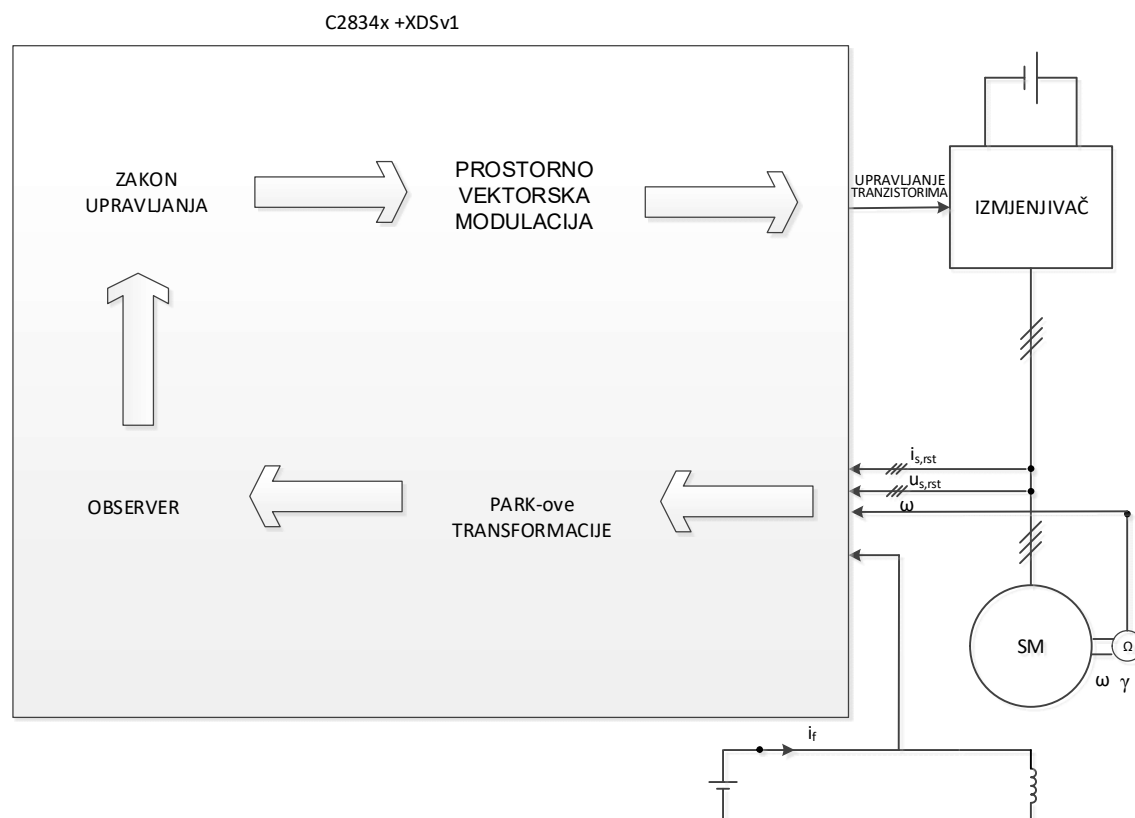
- Matlab Simulink R2015a na stolnom računalu sa OS Windows 7
- Code Composer Studio CCSv5
- TI C2000, C2834x kontrolna kartica
- TMS320C2000 XDSv1 procesorska jedinica

Razmjena podataka između Matlab Simulink simulacijskog modela i C2834x procesorske pločice obavlja se u realnom vremenu.

Za realizaciju navedene komunikacije potrebno je instalirati paket podrške TI procesoru i njegovom razvojnom okruženju CCS-u. Povezivanje u smislu softwera se ostvaruje pomoću

Idelink_ert.tlc. Matlab generira makefile koji se može učitati i pokrenuti u CCS-u. U hardwareskom smislu potrebno je kabelom uspostaviti RS-232 serijsku vezu ispravnim povezivanjem sa Rx, Tx pinovima, aktivirati terminal, definirati slobodan COM ulaz i brzinu prijenosa podataka. Potrebno je sklopku SW1 postaviti u ispravan položaj.

Shema PiL ispitivanja koja se u najopćenitijem smislu koristila u radu je prikazana na slici 10.1.



Slika 10.1. Shema ispitivanja PiL

Simulinkovi modeli izrađeni na dijelu modela iz kojeg se predviđa generiranje izvršnog koda procesora su prikazani u Prilogu D:

- D1 Simulacijski model s povezivanjem na procesor
- D2 Model upravljanja u procesoru
- D3 Izračun kuta rotora u procesoru
- D4 Parkova transformacija struja i napona u procesoru

Iako postoji Simulinkova podrška u smislu komponenti iz kojih će se generirati kod za ciljni procesor, isto tako postoje i određena ograničenja. Preciznost podataka kojima se ostvaruje

serijska komunikacija je ograničena na jednostruku preciznost (*single*). U simulacijama koje nisu išle preko procesora je preciznost podataka bila dvostruka (*double*). Zbog ovog razloga se očekuje i veća pogreška kod rezultata dobivenih pomoću *PiL*-a. Pogreška se očekuje osobito kod observera prigušnog toka jer je za izračun nužno koristiti i integraciju.

10.3 Ispitivanje sustava upravljanja

Najprije je obavljeno ispitivanje observera u otvorenoj petlji, dakle prema shemi iz slike 10.1 procesor se zaustavlja na izračunu observera te rezultate šalje na računalo. Ispitani su observer reduciranog te observer punog reda [61] sukladno poglavljima 4.6 te 4.7.

Nakon toga se pristupilo ispitivanju cjelokupnog sustava upravljanja u zatvorenoj petlji. Za ispitivanje je korišten observer reduciranog reda. Sukladno shemi sa slike 10.1 sustav upravljanja obuhvaća observer, zakon upravljanja te prostorno-vektorski *PWM*. Generiraju se signali koji djeluju na energetski krug i tako se ostvaruje zatvorena petlja.

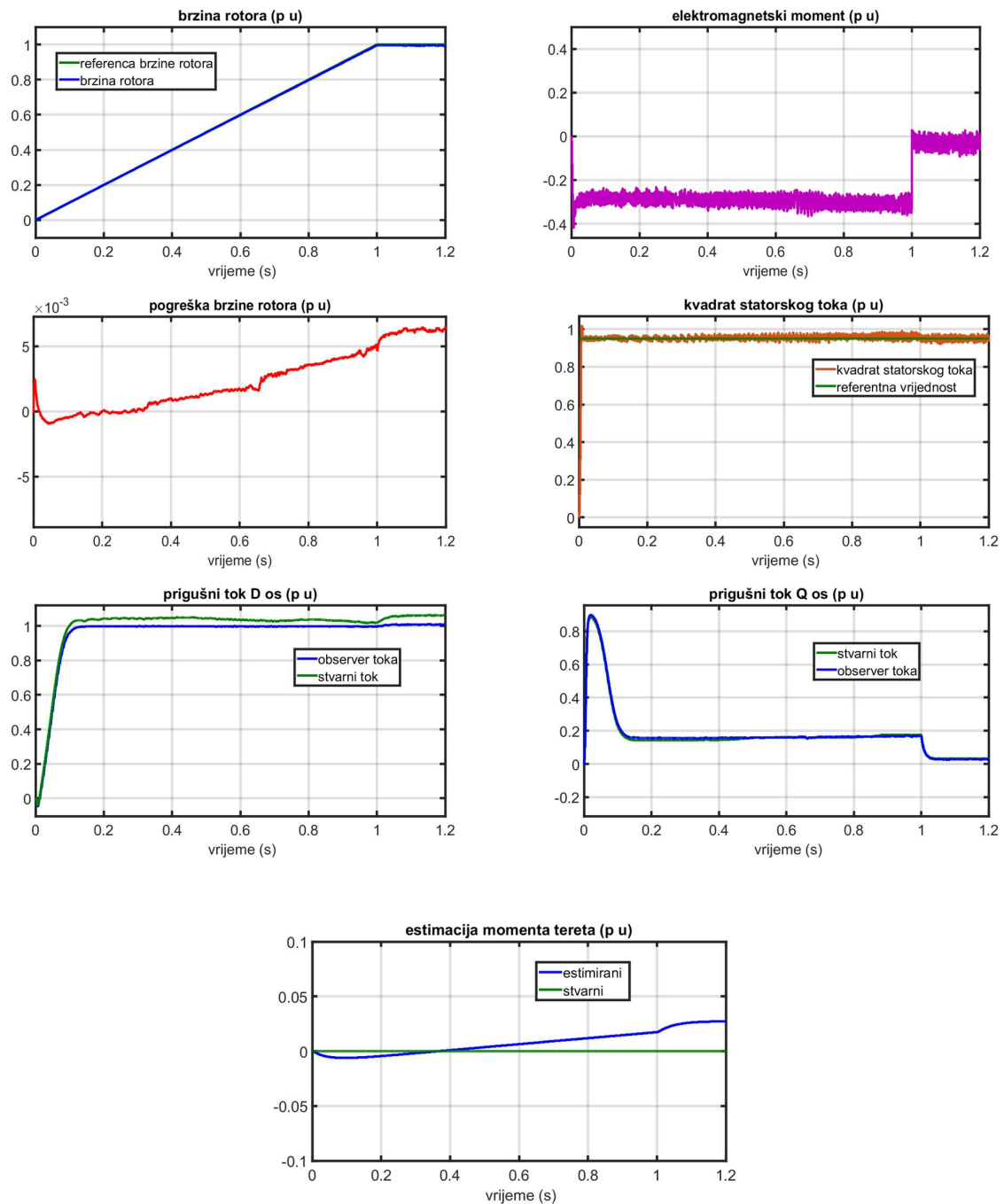
U radu su prikazana ispitivanja rada sustava upravljanja kod oba sinkrona stroja. Radi provjere cjelokupnog područja rada obavljeni su pokusi zaleta s reverziranjem, a radi provjere odziva na promjenu tereta obavljeni su pokusi sa skokovitim opterećenjima i rasterećenjima iznosa 100 posto nazivnog momenta.

Za estimaciju momenta tereta ponovno je korišten sustav iz poglavlja 4.9.2, međutim korišteni izraz za izračun elektromagnetskog momenta je (4.74c). Odnosno, elektromagnetski moment se izračunava preko izraza za snagu pa je potrebno koristiti i mjerenje napona statora. Glavni razlog je pogreška koja se javlja pri izračunu observera prigušnog toka pa više nije moguće koristiti izraz (4.74b).

10.3.1 Rezultati ispitivanja zaleta s reverziranjem za sinkroni stroj 8,1 kVA

Prikazani su rezultati ispitivanja zaleta s reverziranjem. Rezultati zaleta su prikazani na sljedećoj (10.2) slici. Na slici su brzina rotora, odstupanje od referentne brzine, elektromagnetski moment, pogreška kvadrata statorskog toka, observeri tokova prigušnih namota te estimacija momenta tereta.

Iako postoje pogreške observera toka prigušnog namota, one ne prelaze 10 posto. Također postoji i pogreška estimacije momenta tereta od oko 5 posto, međutim rezultati pokazuju da je preciznost sustava upravljanja dobra. Rezultati pokazuju da je maksimalno odstupanje brzine od referentne vrijednosti iznosi oko 6 promila. Odstupanje kvadrata statorskog toka je unutar 1 posto.

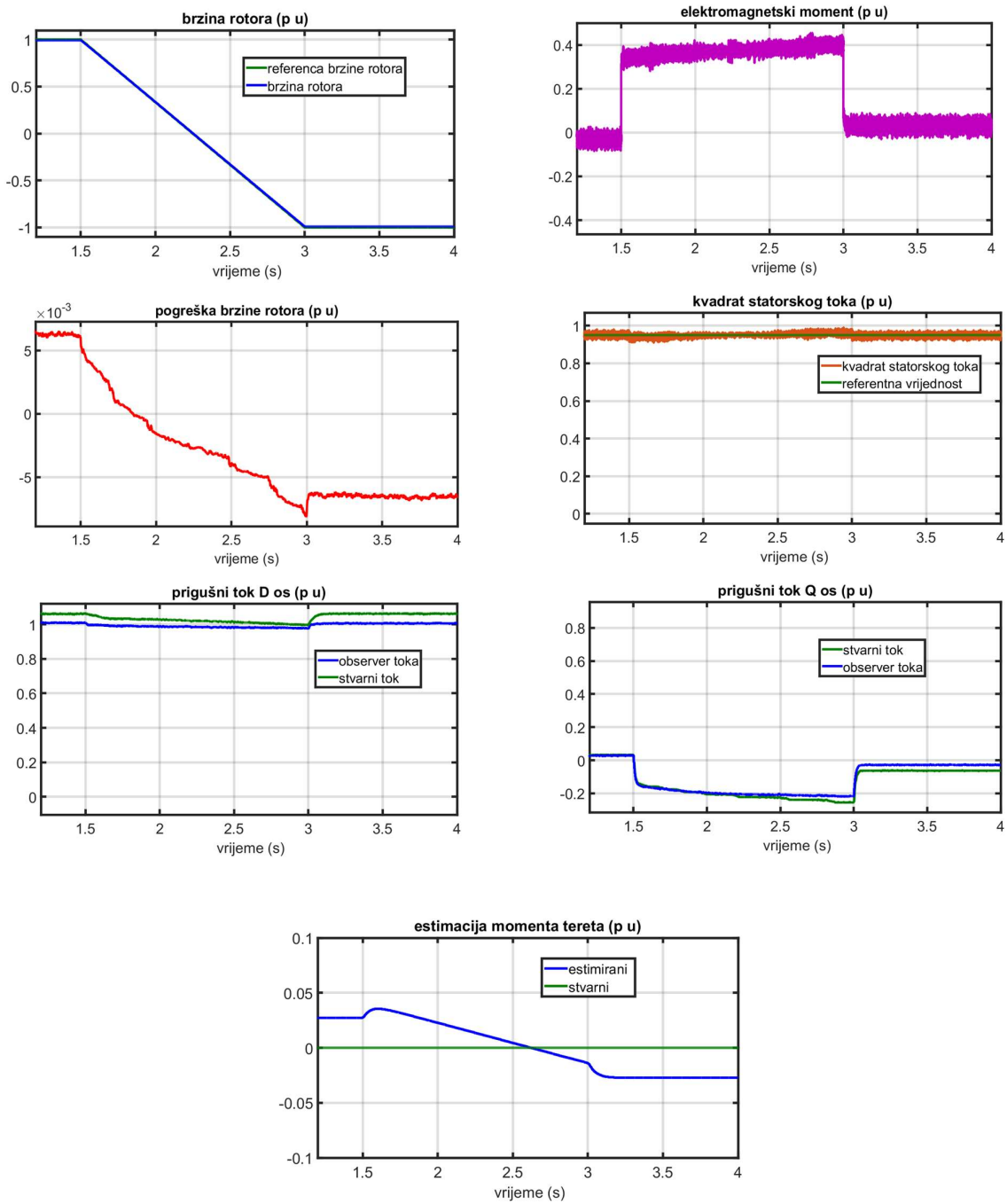


Slika 10.2. Zalet

Rezultati reverziranja su prikazani na sljedećoj (10.3) slici. Na slici su brzina rotora, odstupanje od referentne brzine, elektromagnetski moment, pogreška kvadrata statorskog toka, observeri tokova prigušnih namota te estimacija momenta tereta.

Slično kao kod prethodnog ispitivanja, postoje pogreške observera toka prigušnog namota ali one ne prelaze 10 posto. Također, pogreška estimacije momenta tereta iznosi oko 5 posto.

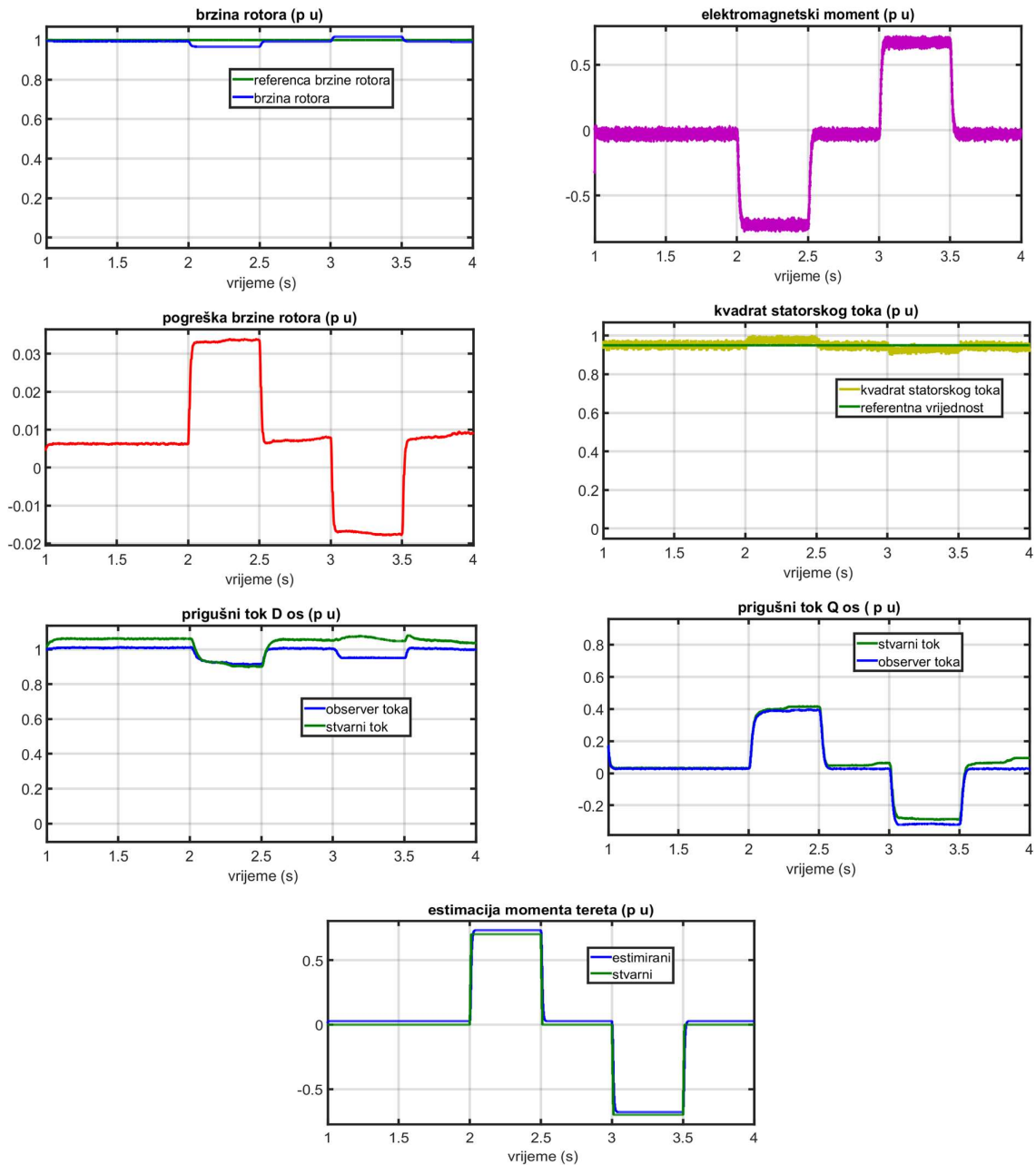
Rezultati pokazuju da maksimalno odstupanje brzine od referentne vrijednosti tijekom reverziranja iznosi oko 6 promila. Odstupanje kvadrata statorskog toka je unutar 1 posto.



Slika 10.3. Reverziranje

10.3.2 Skokovita promjenama opterećenja od 100 posto za sinkroni stroj 8,1 kVA

Obavljeno je ispitivanje pri skokovitim opterećenjima i rasterećenjima koja se događaju na početku druge i treće sekunde. Opterećenje traje pola sekunde, nakon čega slijedi rasterećenje. Rezultati su prikazani na sljedećoj (10.4) slici. Na slici su brzina rotora, odstupanje od referentne brzine, elektromagnetski moment, pogreška kvadrata statorskog toka, observeri tokova prigušnih namota te estimacija momenta tereta.

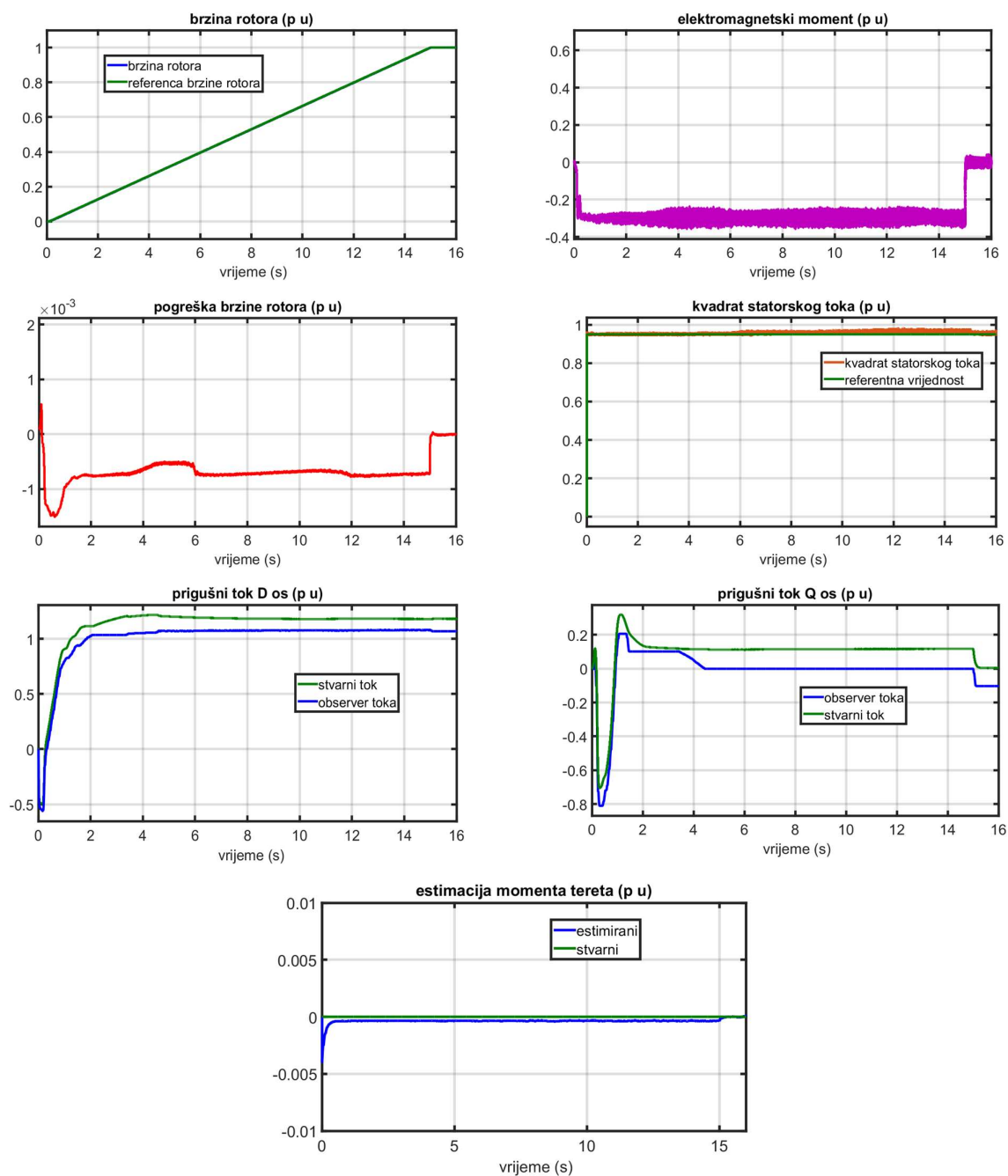


Slika 10.4 Skokovito opterećenje od 100 posto

Rezultati pokazuju da pri skokovitim opterećenjima i rasterećenjima dolazi do pogreške brzine rotora od oko 3 posto. Pogreška kvadrata statorskog toka ne prelazi 2 posto. Pogreška observera prigušnih tokova iznosi oko 10 posto, a pogreška estimacije momenta tereta ne prelazi 5 posto.

10.3.3 Rezultati ispitivanja zaleta s reverziranjem za sinkroni stroj 1,56 MVA

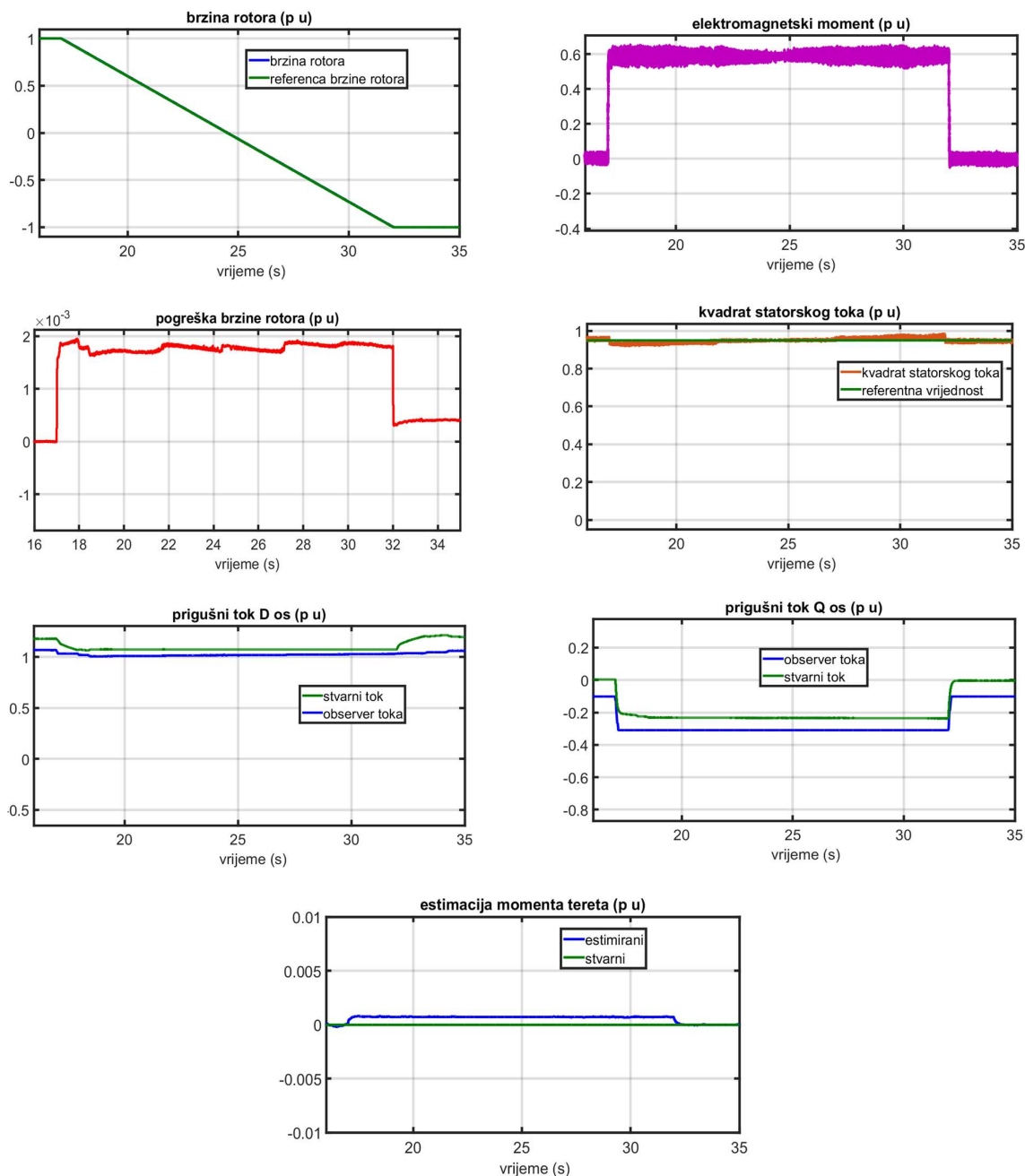
Na sljedećoj slici (10.5) prikazani su rezultati ispitivanja zaleta.



Slika 10.5. Zalet

Iako su pogreške observera tokova prigušnog namota nešto veće nego kod manjeg stroja, one ne prelaze 15 posto. Pogreška estimacije momenta tereta je zanemariva. Rezultati pokazuju da je maksimalno odstupanje brzine od referentne vrijednosti iznosi ispod 1 promila. Odstupanje kvadrata statorskog toka je unutar 1 posto.

Rezultati reverziranja su prikazani na sljedećoj (10.6) slici.

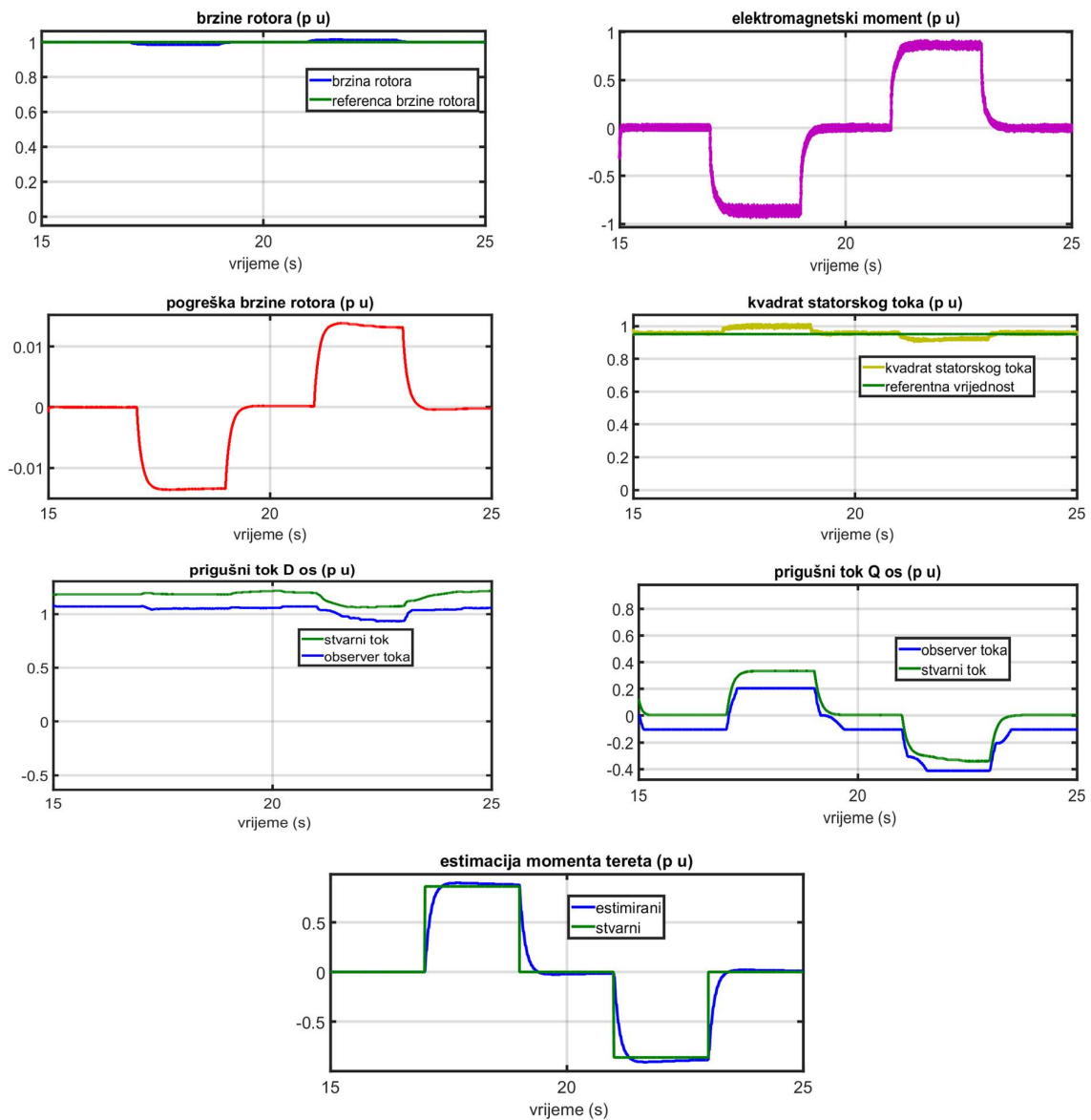


Slika 10.6. Reverziranje

Slično kao kod prethodnog ispitivanja, postoje pogreške observera toka prigušnog namota ali one ne prelaze 15 posto. Pogreška estimacije momenta tereta je zanemariva. Rezultati pokazuju da maksimalno odstupanje brzine od referentne vrijednosti tijekom reverziranja iznosi oko 2 promila. Odstupanje kvadrata statorskog toka je unutar 3 posto.

10.3.4 Skokovitim promjenama opterećenja od 100 posto za sinkroni stroj 1,56 MVA

Obavljeno je ispitivanje pri skokovitim opterećenjima i rasterećenjima koja se događaju na početku sedamnaeste te dvadeset i prve sekunde. Opterećenje traje dvije sekunde, nakon čega slijedi rasterećenje. Rezultati su prikazani na sljedećoj (10.7) slici.



Slika 10.7 Skokovito opterećenje od 100 posto

Rezultati pokazuju da pri skokovitim opterećenjima i rasterećenjima dolazi do pogreške brzine rotora od oko 1,5 posto. Pogreška kvadrata statorskog toka ne prelazi 5 posto. Pogreška observera prigušnih tokova iznosi oko 15 posto dok pogreška estimacije momenta tereta ne prelazi 5 posto.

10.4 Zaključak

Pokusima zaleta s reverziranjem te skokovitim opterećenjima i rasterećenjima obavljeno je ispitivanje s procesorom u petlji.

Za obavljanje ispitivanja nužno je obaviti smanjenje preciznosti podataka s *double* na *single*. Smanjena preciznost zajedno s djelovanjem integratora generira pogreška kod izračuna observera prigušnih tokova. Iznos pogreške observera pri ispitivanju SM1 iznosi oko 10 posto, dok kod SM2 iznosi oko 15 posto. Pogreška pri estimaciji momenta opterećenja nije veća od 5 posto.

Bez obzira na navedene pogreške, rezultati sustava upravljanja su dobri. Ako nema skokovitih promjena opterećenja pogreška brzine vrtnje iznosi nekoliko promila, a kvadrata statorskog toka ispod tri posto. Pri skokovitim opterećenjima od sto posto nazivnog momenta pogreška brzine vrtnje raste kod SM1 za oko 3 posto, a kod SM2 za oko 1,5 posto. Pogreške kvadrata statorskog toka pritom ne prelaze 5 posto.

11 ZAKLJUČAK

U dinamičkom sustavu sinkronog stroja nalaze se brojne nelinearnosti te svezanosti varijabli stanja koje su između ostalog uzrokovane postojanjem prigušnog namota. Zbog toga se pristupilo izradi nelinearnog sustava upravljanja koji se temelji na observeru stanja u prigušnim namotima. Izrađeni su deterministički observeri za struje i observeri za tokove prigušnih namota. Observeri struja pokazuju dobre rezultate u estimiranju prigušnih struja, međutim njihovo korištenje u sustavu upravljanja nije pogodno, jer prigušne struje zbog izrazite dinamike unose oscilacije u sustav. Izrađeno je nekoliko varijacija observera s tokovima prigušnog namota: observer punog reda, observer s adaptacijom otpora te observer reduciranog reda. Svi navedeni observeri prigušnog toka pokazuju dobre rezultate. Nadalje, observer reduciranog reda je najjednostavniji te za njegov rad nije potrebno niti poznavanje napona niti momenta opterećenja. Zbog toga je nelinearni sustav upravljanja koji koristi reducirani observer korišten za usporedbu s klasičnim sustavom upravljanja.

Za realizaciju linearnog upravljanja sinkronim strojem u klasičnom smislu je nužno obaviti brojna zanemarenja. Zbog toga klasični sustav neće moći ostvariti razdvojeno upravljanje po brzini i magnetskom toku. Izradom zakona upravljanja za nelinearni sustav, pomoću observera i metode linearizacije u povratnoj vezi, može se postići potpuno razdvajanje odnosno neovisno upravljanje po brzini i magnetskom toku.

U simulacijama koje uspoređuje djelovanje klasičnog i nelinearnog sustava upravljanja, prednosti nelinearnog upravljanja postaju evidentne. Zadanu dinamiku zaleta nelinearno upravljanje svladava s manjim oscilacijama nego linearno. Zadane skokovite promjene momenta opterećenja linearno upravljanje svladava uz određenu dinamiku prije nego postigne stabilno stanje. Razlog tome je nemogućnost linearnog sustava upravljanja da jednako dobro reagira u različitim dinamičkim zahtjevima kao što su npr. zalet i skokovito opterećenje u nazivnoj radnoj točki. Ako sustav nelinearnog upravljanja poznaje iznos momenta opterećenja, razdvojeno upravljanje osigurava neovisnu konvergenciju izlaznih veličina. Zbog toga skokovite promjene opterećenja ne uzrokuju dodatnu dinamiku već se referentne vrijednosti nastave precizno slijediti. Zbog toga je izrađena i estimacija momenta opterećenja. Pogreška estimacije momenta opterećenja provjerom u simulacijskim studijama za stroj male i za stroj velike snage ne prelazi 5 posto. Uz zanemarivu pogrešku reduciranog observera, nelinearni

sustav upravljanja ostvaruje slijeđenje referentne brzine s maksimalnom pogreškom od jedan posto.

Prednost klasičnog sustava je u tome što ne zahtijeva poznavanje momenta opterećenja. Osim toga, zbog djelovanja integralnog člana, kod linearnog upravljanja će trajna pogreška vremenom biti u potpunosti otklonjena.

Uz brojne simulacije kojima je provjeren rad observera i cjelokupnog nelinearnog upravljanja, obavljeno je i ispitivanje nelinearnog sustava upravljanja metodom procesor u petlji. Za realizaciju komunikacije u tom slučaju je nužno smanjiti preciznost prenesenih podataka. Zbog toga dolazi do povećanja pogreške kod observera. Ipak, ispitivanje pokazuje da ne postoje zapreke u prenošenju programskog koda na ciljani procesor te da sustav upravljanja obavlja svoju funkciju.

Može se zaključiti da je izradom nelinearnog sustava upravljanja sinkronim strojem s nezavisnom uzbudom i prigušnim namotom moguće poboljšati rezultate upravljanja koji se mogu postići klasičnim sustavom.

Popis oznaka

1. Parametri sinkronog stroja:

L_{md} – zajednički induktivitet u d-osi

L_d – induktivitet statora u d-osi; $L_d = L_{md} + L_{\sigma s}$

$L_{\sigma s}$ – rasipni induktivitet statora

L_D – induktivitet prigušnog namota u d-osi; $L_D = L_{md} + L_{\sigma D}$

$L_{\sigma D}$ – rasipni induktivitet prigušnog namota u d-osi

L_f – induktivitet uzbuđenog namota; $L_f = L_{md} + L_{\sigma f}$

$L_{\sigma f}$ – rasipni induktivitet uzbuđenog namota

L_{mq} – zajednički induktivitet u q-osi

L_q – induktivitet statora u q-osi; $L_q = L_{mq} + L_{\sigma s}$

L_Q – induktivitet prigušnog namota u q-osi; $L_Q = L_{mq} + L_{\sigma Q}$

$L_{\sigma Q}$ – rasipni induktivitet prigušnog namota u q-osi

R_s – otpor statorskog namota

R_f – otpor uzbuđenog namota

R_D – otpor prigušnog namota u d-osi

R_Q – otpor prigušnog namota u q-osi

H – konstanta inercije

i_d – struja statora u d-osi

i_f – struja uzbuđenog namota

i_q – struja statora u q-osi

ψ_D – magnetski tok prigušnog namota u d-osi

ψ_Q – magnetski tok prigušnog namota u q-osi

ψ_d – magnetski tok statora u d-osi

ψ_q – magnetski tok statora u q-osi

ω – brzina rotora

M_T – moment tereta

γ – kut rotora

Prilog A – koeficijenti dinamičkog sustava sinkronog stroja s prigušnim strujama

$$a'_1 = \frac{L_D L_f R_S - L_{md}^2 R_S}{L_d L_D L_f - L_d L_{md}^2 - L_D L_{md}^2 - L_f L_{md}^2 + 2L_{md}^3}$$

$$a'_2 = \frac{L_D L_f L_q - L_{md}^2 L_q}{L_d L_D L_f - L_d L_{md}^2 - L_D L_{md}^2 - L_f L_{md}^2 + 2L_{md}^3}$$

$$a'_3 = \frac{-L_D L_f L_{mq} + L_{md}^2 L_{mq}}{L_d L_D L_f - L_d L_{md}^2 - L_D L_{md}^2 - L_f L_{md}^2 + 2L_{md}^3}$$

$$a'_4 = \frac{-L_D L_{md} R_f + L_{md}^2 R_f}{L_d L_D L_f - L_d L_{md}^2 - L_D L_{md}^2 - L_f L_{md}^2 + 2L_{md}^3}$$

$$a'_5 = \frac{-L_f L_{md} R_D + L_{md}^2 R_D}{L_d L_D L_f - L_d L_{md}^2 - L_D L_{md}^2 - L_f L_{md}^2 + 2L_{md}^3}$$

$$a'_6 = \frac{-L_D L_f + L_{md}^2}{L_d L_D L_f - L_d L_{md}^2 - L_D L_{md}^2 - L_f L_{md}^2 + 2L_{md}^3}$$

$$a'_7 = \frac{L_D L_{md} - L_{md}^2}{L_d L_D L_f - L_d L_{md}^2 - L_D L_{md}^2 - L_f L_{md}^2 + 2L_{md}^3}$$

$$b'_1 = \frac{L_D L_{md} R_S - L_{md}^2 R_S}{L_d L_D L_f - L_d L_{md}^2 - L_D L_{md}^2 - L_f L_{md}^2 + 2L_{md}^3}$$

$$b'_2 = \frac{L_D L_{md} L_q - L_{md}^2 L_q}{L_d L_D L_f - L_d L_{md}^2 - L_D L_{md}^2 - L_f L_{md}^2 + 2L_{md}^3}$$

$$b'_3 = \frac{-L_D L_{md} L_{mq} + L_{md}^2 L_{mq}}{L_d L_D L_f - L_d L_{md}^2 - L_D L_{md}^2 - L_f L_{md}^2 + 2L_{md}^3}$$

$$b'_4 = \frac{-L_d L_D R_f + L_{md}^2 R_f}{L_d L_D L_f - L_d L_{md}^2 - L_D L_{md}^2 - L_f L_{md}^2 + 2L_{md}^3}$$

$$b'_5 = \frac{L_d L_{md} R_D + L_{md}^2 R_D}{L_d L_D L_f - L_d L_{md}^2 - L_D L_{md}^2 - L_f L_{md}^2 + 2L_{md}^3}$$

$$b'_6 = \frac{-L_D L_{md} + L_{md}^2}{L_d L_D L_f - L_d L_{md}^2 - L_D L_{md}^2 - L_f L_{md}^2 + 2L_{md}^3}$$

$$b'_7 = \frac{L_d L_D - L_{md}^2}{L_d L_D L_f - L_d L_{md}^2 - L_D L_{md}^2 - L_f L_{md}^2 + 2L_{md}^3}$$

$$c'_1 = \frac{L_f L_{md} R_S - L_{md}^2 R_S}{L_d L_D L_f - L_d L_{md}^2 - L_D L_{md}^2 - L_f L_{md}^2 + 2L_{md}^3}$$

$$c'_2 = \frac{L_f L_{md} L_q - L_{md}^2 L_q}{L_d L_D L_f - L_d L_{md}^2 - L_D L_{md}^2 - L_f L_{md}^2 + 2L_{md}^3}$$

$$c'_3 = \frac{-L_f L_{md} L_{mq} + L_{md}^2 L_{mq}}{L_d L_D L_f - L_d L_{md}^2 - L_D L_{md}^2 - L_f L_{md}^2 + 2L_{md}^3}$$

$$c'_4 = \frac{L_d L_{md} R_f - L_{md}^2 R_f}{L_d L_D L_f - L_d L_{md}^2 - L_D L_{md}^2 - L_f L_{md}^2 + 2L_{md}^3}$$

$$c'_5 = \frac{-L_d L_f R_D + L_{md}^2 R_D}{L_d L_D L_f - L_d L_{md}^2 - L_D L_{md}^2 - L_f L_{md}^2 + 2L_{md}^3}$$

$$c'_6 = \frac{-L_f L_{md} + L_{md}^2}{L_d L_D L_f - L_d L_{md}^2 - L_D L_{md}^2 - L_f L_{md}^2 + 2L_{md}^3}$$

$$c'_7 = \frac{-L_d L_{md} + L_{md}^2}{L_d L_D L_f - L_d L_{md}^2 - L_D L_{md}^2 - L_f L_{md}^2 + 2L_{md}^3}$$

$$d'_1 = -\frac{L_Q R_S}{L_{mq}^2 - L_q L_Q}$$

$$d'_2 = \frac{L_d L_Q}{L_{mq}^2 - L_q L_Q}$$

$$d'_3 = -\frac{L_{md} L_Q}{L_{mq}^2 - L_q L_Q}$$

$$d'_4 = -\frac{L_{md} L_Q}{L_{mq}^2 - L_q L_Q}$$

$$d'_5 = \frac{L_{mq} R_Q}{L_{mq}^2 - L_q L_Q}$$

$$d'_6 = \frac{L_Q}{L_{mq}^2 - L_q L_Q}$$

$$f'_1 = -\frac{L_{mq} R_S}{L_{mq}^2 - L_q L_Q}$$

$$f'_2 = \frac{L_d L_{mq}}{L_{mq}^2 - L_q L_Q}$$

$$f'_3 = -\frac{L_{md}L_{mq}}{L_{mq}^2 - L_qL_Q}$$

$$f'_4 = -\frac{L_{md}L_{mq}}{L_{mq}^2 - L_qL_Q}$$

$$f'_5 = \frac{L_qR_Q}{L_{mq}^2 - L_qL_Q}$$

$$f'_6 = \frac{L_{mq}}{L_{mq}^2 - L_qL_Q}$$

$$j'_1 = -\frac{L_{md} - L_{mq}}{2H}$$

$$j'_2 = \frac{L_{md}}{2H}$$

$$j'_3 = \frac{L_{md}}{2H}$$

$$j'_4 = -\frac{L_{mq}}{2H}$$

$$j'_5 = -\frac{1}{2H}$$

Prilog B –koeficijenti dinamičkog sustava sinkronog stroja s tokovima prigušnog namota

$$a_1 = \frac{L_f L_{md}^2 R_D - L_{md}^3 R_D - L_D^2 L_f R_s + L_D L_{md}^2 R_s}{L_D(-L_d L_D L_f + L_d L_{md}^2 + L_D L_{md}^2 + L_f L_{md}^2 - 2L_{md}^3)}$$

$$a_2 = \frac{-L_f L_{md}^2 R_D + L_{md}^3 R_D + L_D^2 L_{md} R_f - L_D L_{md}^2 R_f}{L_D(-L_d L_D L_f + L_d L_{md}^2 + L_D L_{md}^2 + L_f L_{md}^2 - 2L_{md}^3)}$$

$$a_3 = \frac{L_D^2 L_f L_{mq}^2 - L_D L_{md}^2 L_{mq}^2 - L_D^2 L_f L_q L_Q + L_D L_{md}^2 L_q L_Q}{L_D L_Q(-L_d L_D L_f + L_d L_{md}^2 + L_D L_{md}^2 + L_f L_{md}^2 - 2L_{md}^3)}$$

$$a_4 = \frac{L_f L_{md} L_Q R_D - L_{md}^2 L_Q R_D}{L_D L_Q(-L_d L_D L_f + L_d L_{md}^2 + L_D L_{md}^2 + L_f L_{md}^2 - 2L_{md}^3)}$$

$$a_5 = \frac{L_D^2 L_f L_{mq} - L_D L_{md}^2 L_{mq}}{L_D L_Q(-L_d L_D L_f + L_d L_{md}^2 + L_D L_{md}^2 + L_f L_{md}^2 - 2L_{md}^3)}$$

$$a_6 = \frac{L_D^2 L_f L_Q - L_D L_{md}^2 L_Q}{L_D L_Q(-L_d L_D L_f + L_d L_{md}^2 + L_D L_{md}^2 + L_f L_{md}^2 - 2L_{md}^3)}$$

$$a_7 = \frac{-L_D^2 L_{md} L_Q + L_D L_{md}^2 L_Q}{L_D L_Q(-L_d L_D L_f + L_d L_{md}^2 + L_D L_{md}^2 + L_f L_{md}^2 - 2L_{md}^3)}$$

$$b_1 = \frac{-L_d L_{md}^2 R_D + L_{md}^3 R_D - L_D^2 L_{md} R_s + L_D L_{md}^2 R_s}{L_D(-L_d L_D L_f + L_d L_{md}^2 + L_D L_{md}^2 + L_f L_{md}^2 - 2L_{md}^3)}$$

$$b_2 = \frac{L_d L_{md}^2 R_D - L_{md}^3 R_D + L_d L_D^2 R_f - L_D L_{md}^2 R_f}{L_D(-L_d L_D L_f + L_d L_{md}^2 + L_D L_{md}^2 + L_f L_{md}^2 - 2L_{md}^3)}$$

$$b_3 = \frac{L_D^2 L_{md} L_{mq}^2 - L_D L_{md}^2 L_{mq}^2 - L_D^2 L_{md} L_q L_Q + L_D L_{md}^2 L_q L_Q}{L_D L_Q(-L_d L_D L_f + L_d L_{md}^2 + L_D L_{md}^2 + L_f L_{md}^2 - 2L_{md}^3)}$$

$$b_4 = \frac{-L_d L_{md} L_Q R_D + L_{md}^2 L_Q R_D}{L_D L_Q(-L_d L_D L_f + L_d L_{md}^2 + L_D L_{md}^2 + L_f L_{md}^2 - 2L_{md}^3)}$$

$$b_5 = \frac{L_D^2 L_{md} L_{mq} - L_D L_{md}^2 L_{mq}}{L_D L_Q(-L_d L_D L_f + L_d L_{md}^2 + L_D L_{md}^2 + L_f L_{md}^2 - 2L_{md}^3)}$$

$$b_6 = \frac{L_D^2 L_{md} L_Q - L_D L_{md}^2 L_Q}{L_D L_Q(-L_d L_D L_f + L_d L_{md}^2 + L_D L_{md}^2 + L_f L_{md}^2 - 2L_{md}^3)}$$

$$b_7 = \frac{-L_d L_D^2 L_Q + L_D L_{md}^2 L_Q}{L_D L_Q(-L_d L_D L_f + L_d L_{md}^2 + L_D L_{md}^2 + L_f L_{md}^2 - 2L_{md}^3)}$$

$$c_1 = -\frac{L_{md}R_D}{L_D}$$

$$c_2 = \frac{L_{md}R_D}{L_D}$$

$$c_3 = -\frac{R_D}{L_D}$$

$$d_1 = \frac{-L_D L_{mq}^2 R_Q + L_D L_Q^2 R_S}{L_D L_Q (-L_{mq}^2 + L_q L_Q)}$$

$$d_2 = \frac{-L_d L_D L_Q^2 + L_{md}^2 L_Q^2}{L_D L_Q (-L_{mq}^2 + L_q L_Q)}$$

$$d_3 = \frac{L_D L_{md} L_Q^2 - L_{md}^2 L_Q^2}{L_D L_Q (-L_{mq}^2 + L_q L_Q)}$$

$$d_4 = \frac{L_{md} L_Q}{L_D (-L_{mq}^2 + L_q L_Q)}$$

$$d_5 = \frac{-L_{mq} R_Q}{L_Q (-L_{mq}^2 + L_q L_Q)}$$

$$d_6 = \frac{-L_Q}{(-L_{mq}^2 + L_q L_Q)}$$

$$f_1 = -\frac{L_{mq} R_Q}{L_Q}$$

$$f_2 = -\frac{R_Q}{L_Q}$$

$$g_1 = \frac{-L_D L_{mq}^2 - L_d L_D L_Q + L_{md}^2 L_Q + L_D L_q L_Q}{2H L_D L_Q}$$

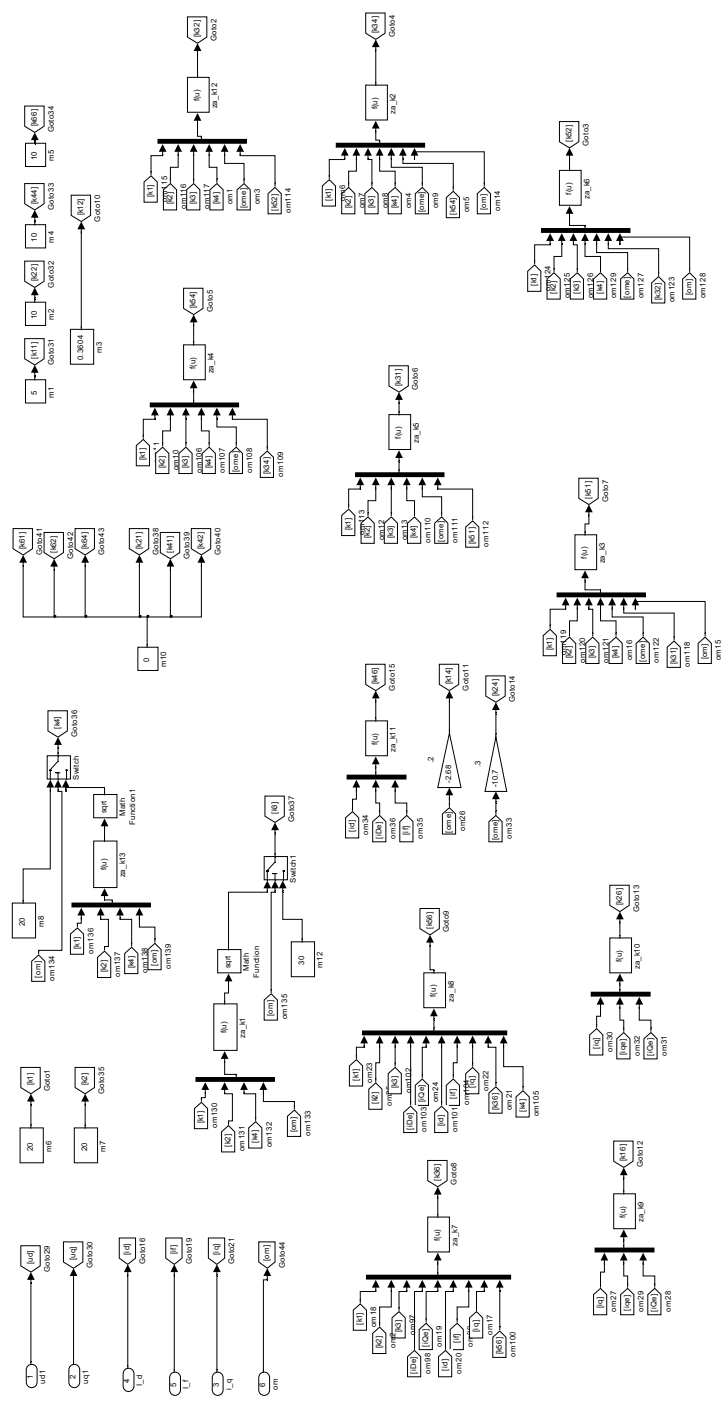
$$g_2 = -\frac{-L_D L_{md} L_Q + L_{md}^2 L_Q}{2H L_D L_Q}$$

$$g_3 = \frac{L_{md}}{2H L_D}$$

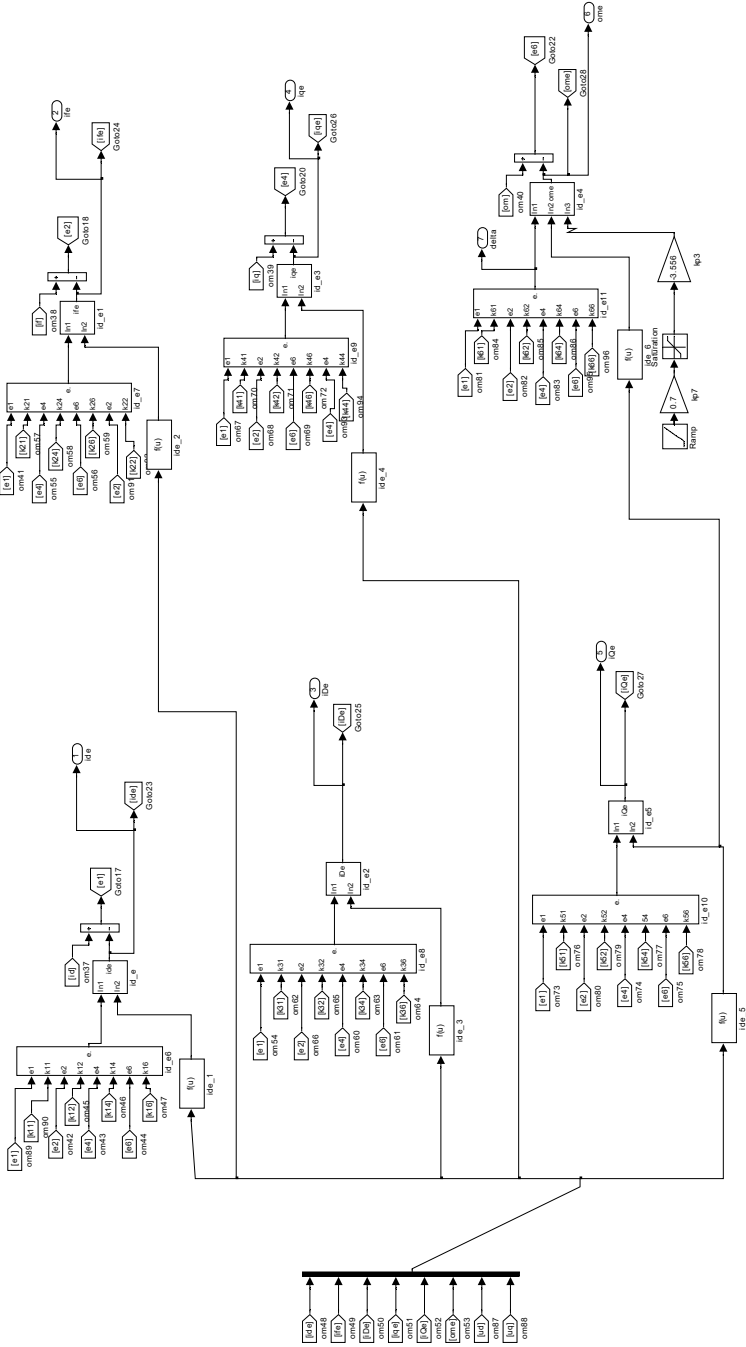
$$g_4 = -\frac{L_{mq}}{2H L_Q}$$

$$g_5 = -\frac{1}{2H}$$

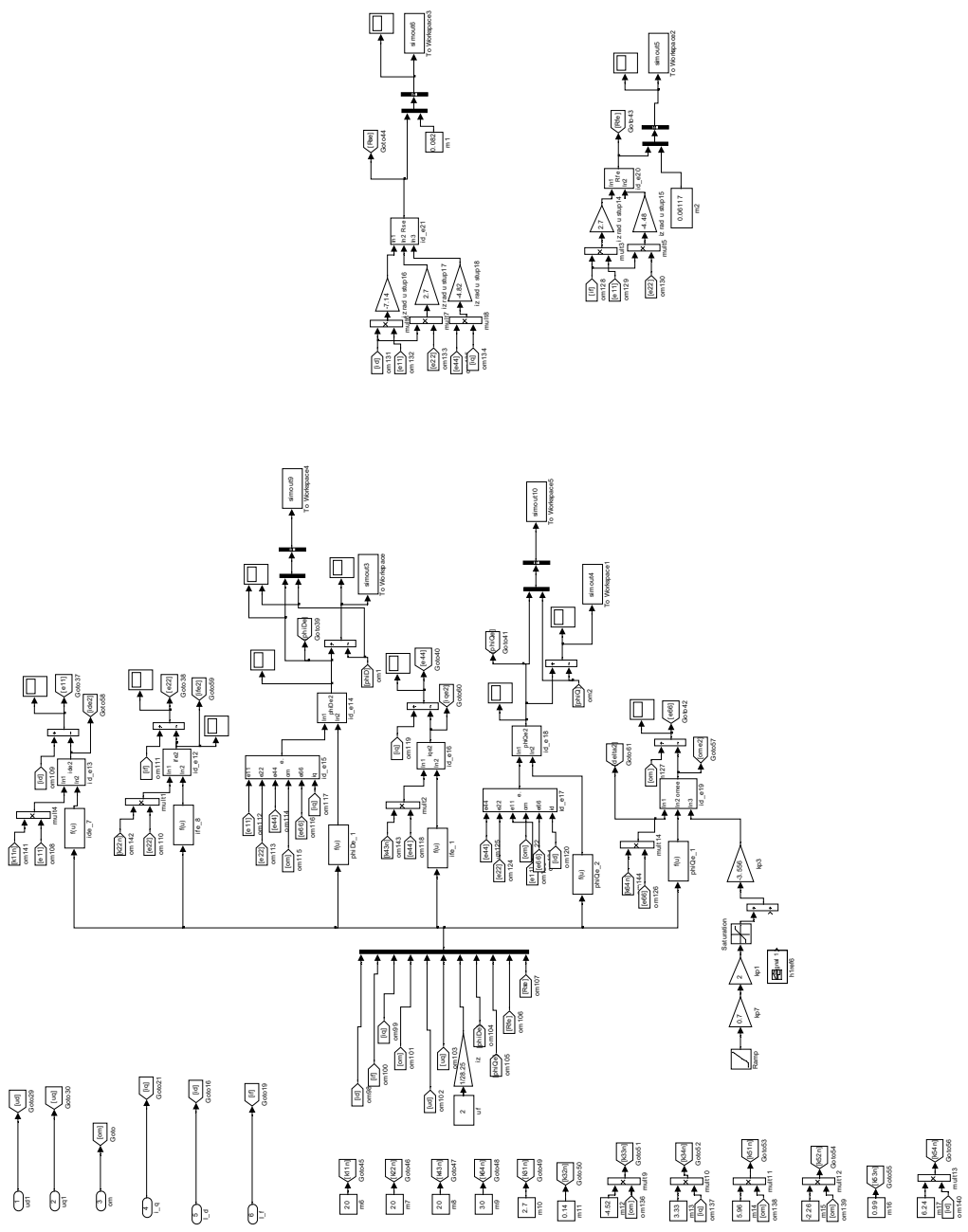
Prilog C1-a Observer s prigušnim strujama-konvergenjski koeficijenti



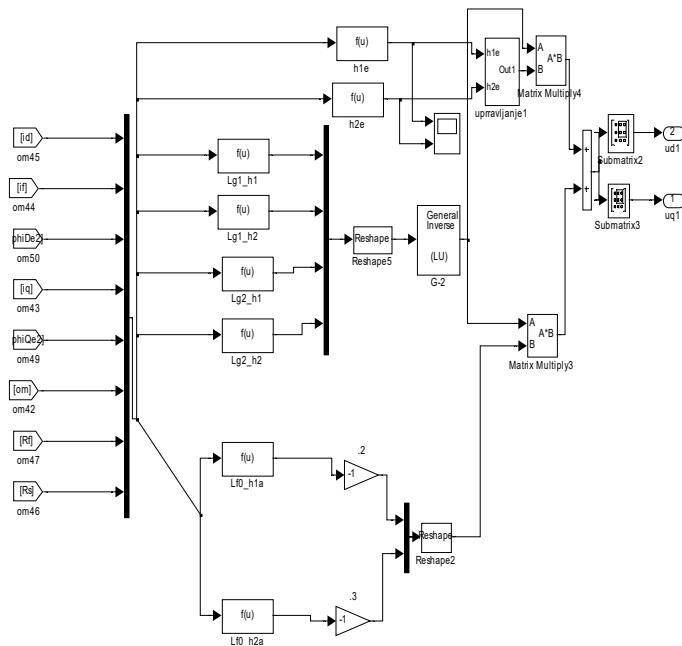
Prilog C1-b Observer s prigušnim strujama-integracija observera



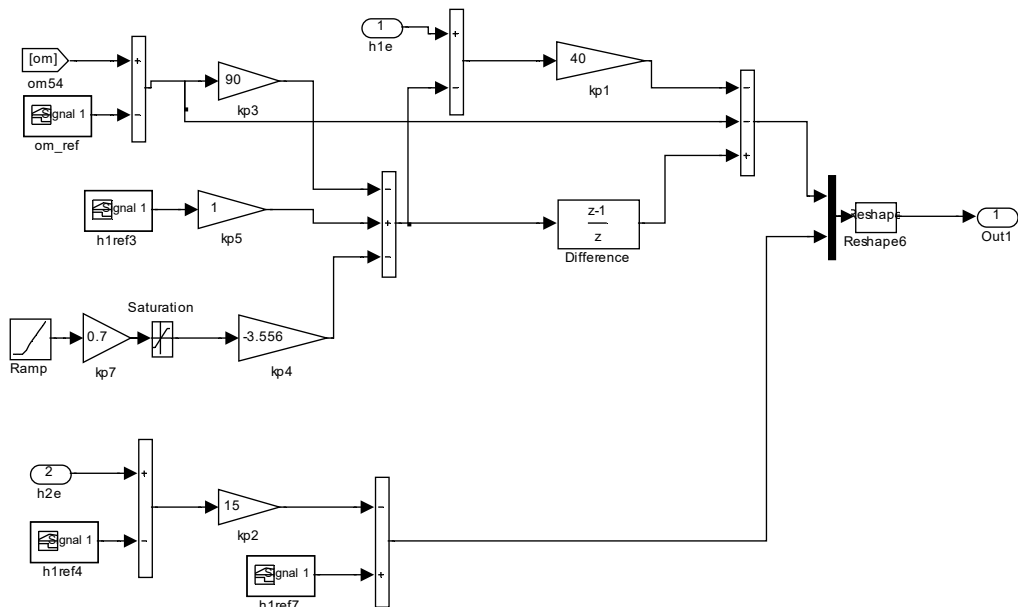
Prilog C1-c Observer s prigušnim tokovima- punog reda s adaptacijom otpora



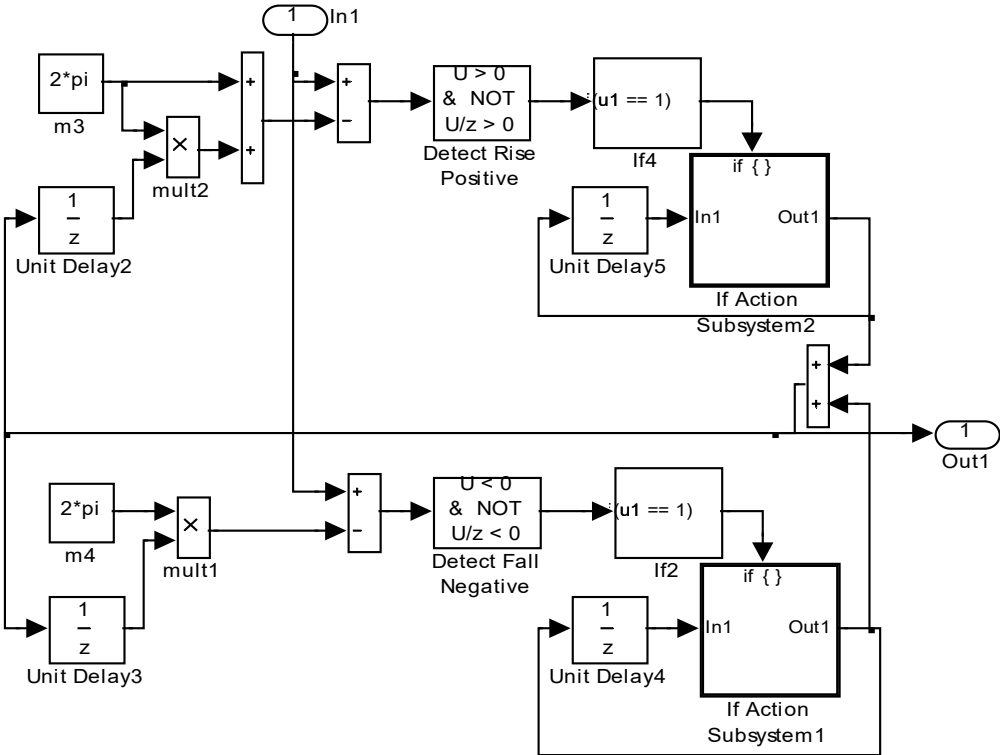
Prilog C2-a Zakon upravljanja –osnovni model



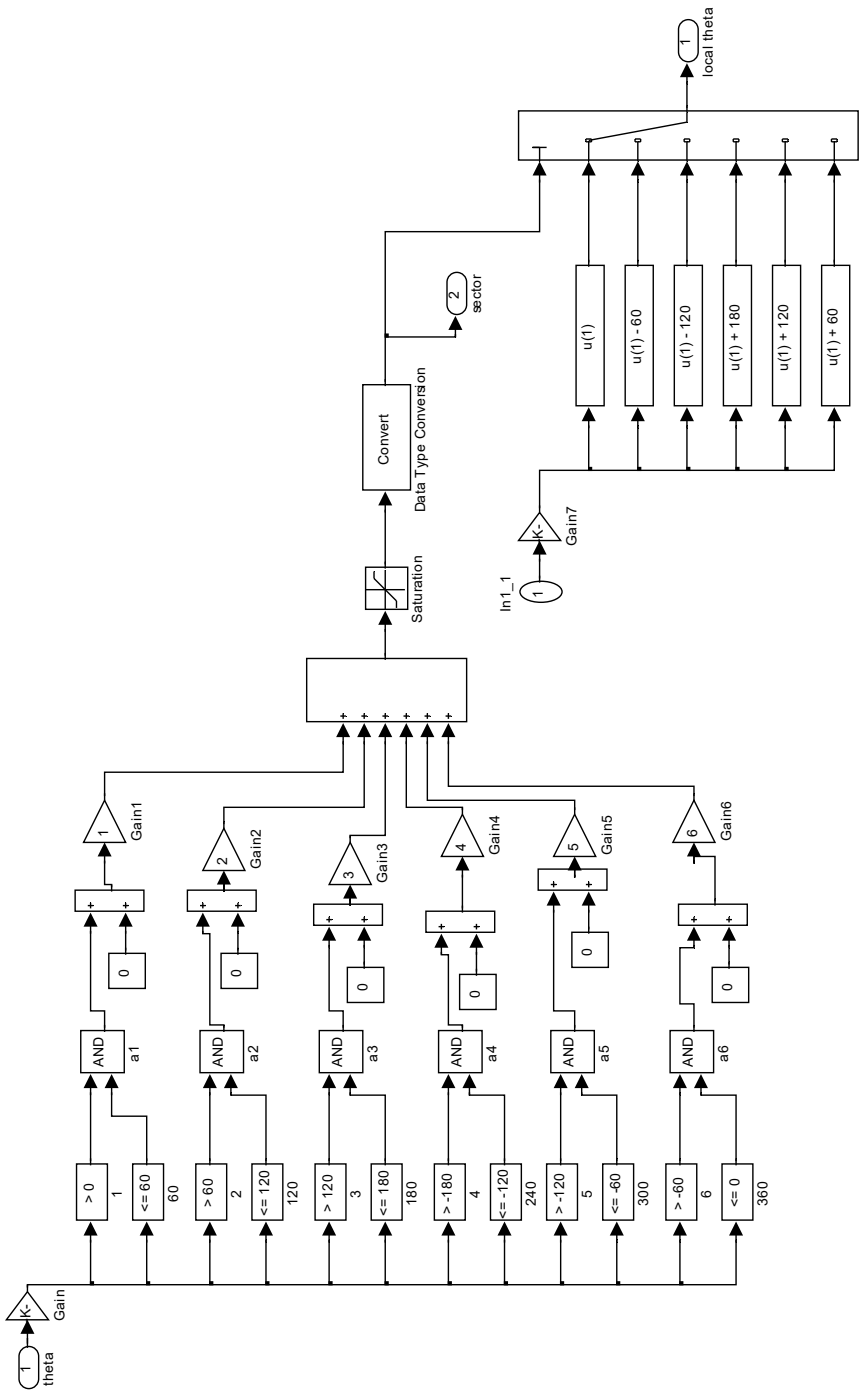
Prilog C2-b Zakon upravljanja –izračun upravljanja



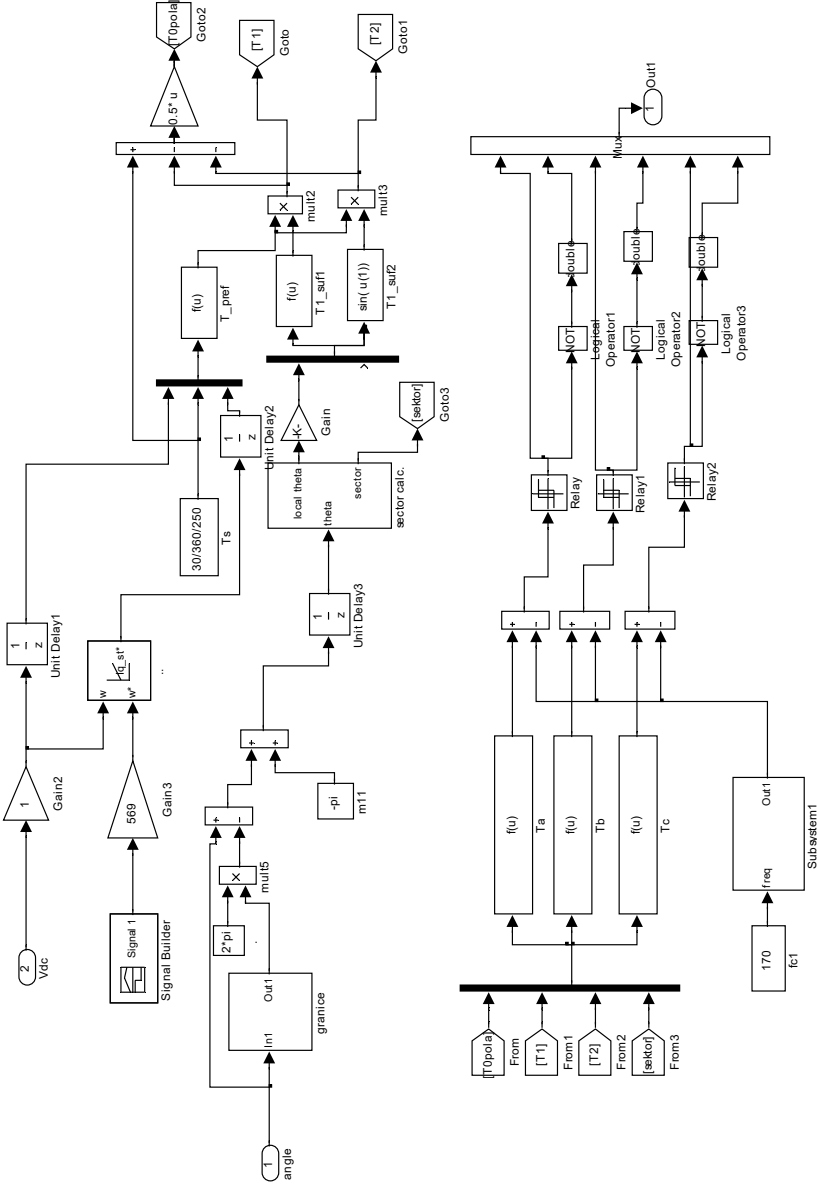
Prilog C3-b Prostorno vektorska modulacija –izračun granica kuta rotora



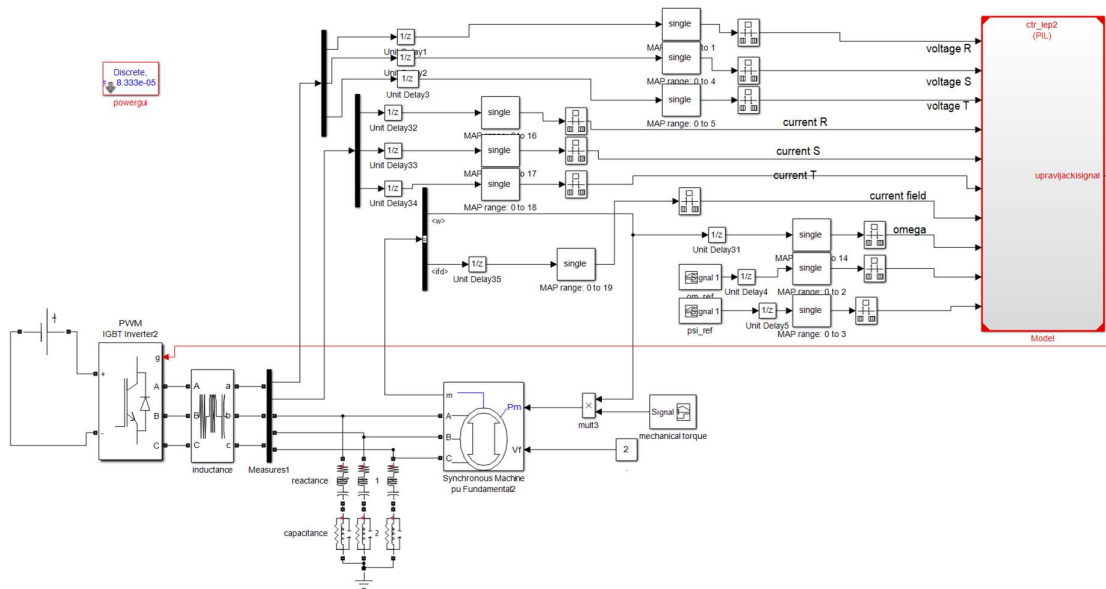
Prilog C3-c Prostorno vektorska modulacija –određivanje sektora



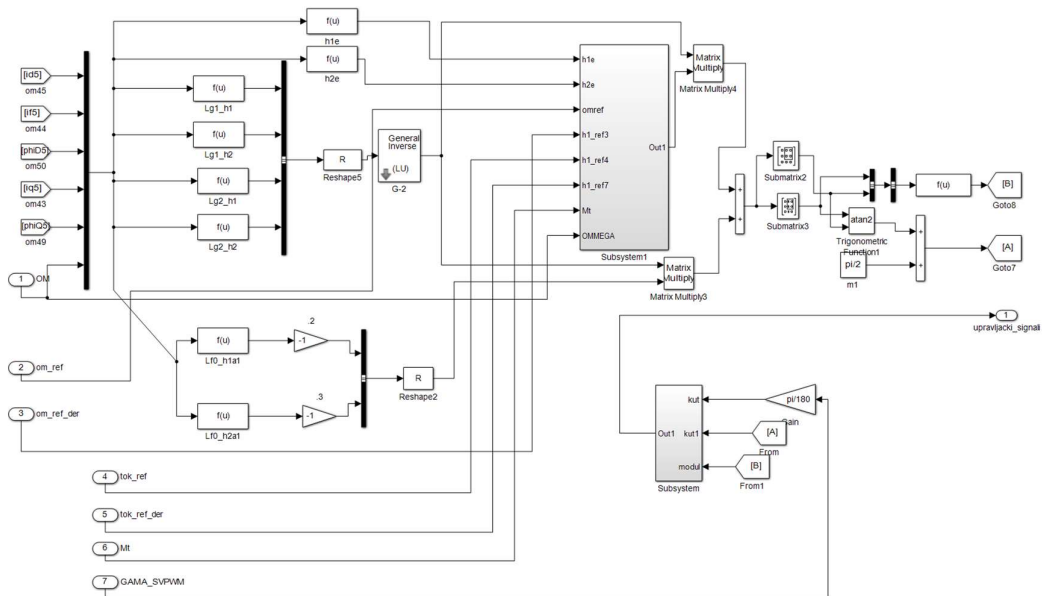
Prilog C4-b AC/DC/AC pretvarač –upravljanje AC/DC dijelom pretvarača



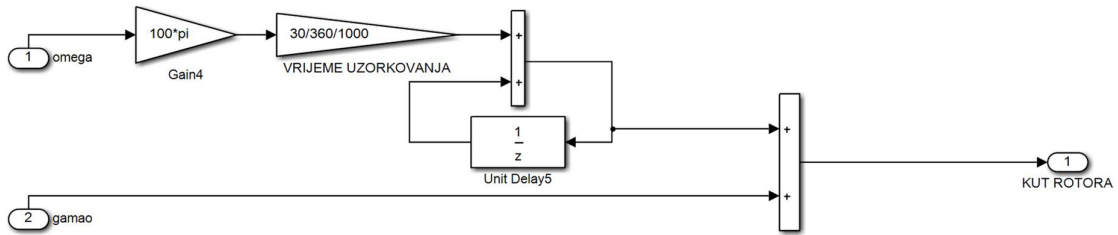
Prilog D1 - Simulacijski model s povezivanjem na procesor



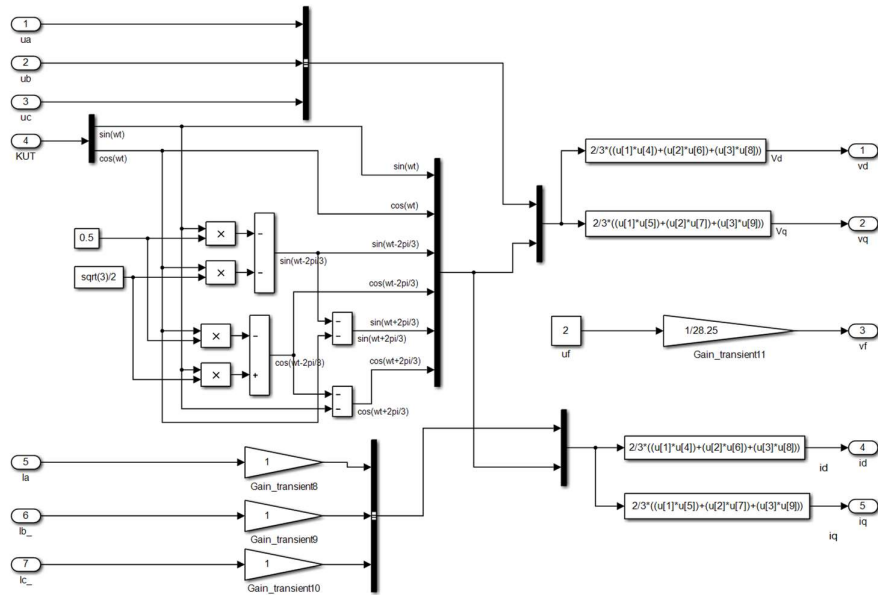
Prilog D2 – Model upravljanja u procesoru



Prilog D3 - Izračun kuta rotora u procesoru



Prilog D4 - Parkova transformacija struja i napona u procesoru



Literatura

1. Maljković, Z., Šundrica, M., Tomičić, B., „Asynchronous Starting Process of Hydro-generator“, IEEE Conference on Electrical Machines, Villamoura, Portugal, 2008. , str 1-6.
2. Saetre, A.-L., “Variable Speed Pumped Storage Hydropower for Balancing Variable Power Production in Continental Europe”, Magistarski rad, Norwegian University of Science and Technology, Norway, 2013
3. Klug, R.-D., “High powermedium voltage drives-innovations, portfolio, trends”, Proceedings of the IEEE Conference on Power Electronics and Applications, Dresden, Germany, 2005., str 1-10.
4. Blaiklock, P., TMEIC Corporation, “Variable Frequency Drives – a Comparison of VSI versus LCISystems”, February, 2013, dostupno na:
<https://www.tmeic.com/Repository/Media/Comparison%20of%20VSI%20versus%20LCI%20Systems%20FINAL.pdf>
5. Wu, B., Pontt, J., Rodriquez J., “Current-Source Converter and Cycloconverter Topologies for Industrial Medium-Voltage Drives”, IEEE Transaction on Industrial Electronics, Vol. 55, No. 7, July 2008, str. 2786-2797.
6. Vas, P., Sensorless Vector and Direct Torque Control. Oxford University Press,1998.
7. Merzoug, M. S., Naceri, F. ,”Comparison of Field-Oriented and Direct Torque Control for Permanent Magnet Synchronous Motor (PMSM)”, Engineering and Technology, 2008, (45):299-304.
8. Kaukonen, J., “Salient pole synchronous machine modelling in a industrial direct torque controlled drive application”, doktorski rad, Lappeenrata University of Technology, Finland, 1999.
9. Pyrhonen, J., Hrabcova, V., Semken, R.S., Electrical Machine Drives Control - An Introduction. Wiley, 2016.
10. D..Beliaev, E. Ilyin, A. Shatokhin, A. Weinger “Synchronous drives with field oriented vector control and their industrial implementation”, Proceedings of the IEEE Conference on Power Eletronics and Applications, EPE’09, Barcelona, Spain, September 2009, str. 1-10.

11. M. Imecs, I. I. Incze, C. Szabo: "Stator-Field Oriented Control of the Synchronous Generator: Numerical simulation", Proceedings of the IEEE Conference on Intelligent Engineering Systems, INES, Miami, USA, Feb. 2008., str. 93-98.
12. C.Szabo, M. Imecs, I. I. Incze: "Synchronous Motor Drive with Controlled Stator-Field-oriented Longitudinal Armature Reaction", The 33th International Conference of the IEEE Industrial Electronics Society, IECON 2007, Taipei, Taiwan, str. 1214-1219.
13. M.Imecs, C. Szabo, I. I. Incze: "Stator-Field-Oriented Vectorial Control for VSI-Fed Wound-Excited Synchronous Motor", Proceedings of the IEEE Aegean Conference on Electrical Machine and Power Electronics ACEMP, Bordum, Turkey 2007, str. 303-308.
14. C.Szabo, M. Imecs, I. I. Incze "Vector control of the synchronous motor operating at unity power factor", Proceedings of the IEEE Conference on optimization of Electrical and Electronic Equipment, Brasov, Romania May 2008.,str.. 15-20.
15. Imecs C. Szabo I. I. Incze, "Stator-Field Oriented Control of the Variable-excited Synchronous Motor: Numerical simulation", 7th International Symposium of Hungarian Researches on Computational Intelligence, Budapest, Hungary, Nov. 2006., str. 95-106.
16. Gasiyarov V.R., Maklakov A.S., Voronin S.S.,Maklakova E.A., "Automatic control system of speed of synchronous motor", Elsevier Procedia Engineering 129 (2015), str. 57-62.
17. El Magri, A., Giri, F., Abouloifa A., Haloua, M., "Nonlinear Control of Wound-Rotor Synchronous-Motor", Proceedings of the IEEE Conference on Control Applications, Munich, Germany, 2006.,str. 3110-3115.
18. El Magri, A., Giri, F., Abouloifa A., Elfadili, A., "Wound Rotor Synchronous Motor Control through AC/DC/AC Converters", 8th IFAC Symposium on Nonlinear Control Systems, Bologna, Italy, 2010.,str. 1344-1349.
19. Hua Xue, Jianguo Jiang: „Passivity-based Control of Synchronous Motors“, Proceedings of the IEEE Conference on Power Electronics and Motion Control, Wuhan, China, 2009, str. 2047-2050.
20. Doria-Cerezo, A., Batlle, C., Espinosa-Perez, G., "Passivity-based control of a wound-rotor synchronous motor", IET Control Theory and Applications, 2010., str. 2049-2057.
21. Marino, R., Tomei, P., Verrelli, C.M., "Nonlinear Adaptive Output Feedback Control of Synchronous Motors with Damping Windings", Proceedings of the IEEE Conference on Industrial Electronics, Paris, France, 2006., 1131-1136.

22. Marino, R.; Tomei, P., Verrelli, C.M: "Nonlinear Control for Speed-Sensorless Synchronous Motors with Damping Windings", Proceedings of the IEEE Conference on Power Engineering, Energy and Electrical Devices, Setubal, Portugal, 2007, str. 742-747.
23. Marino, R., Tomei P., Verrelli, C.M., "Adaptive Field-oriented Control of Synchronous Motors with Damping Windings", European Journal of Control, 2008(3), 177-195.
24. Besselmann, T.J., Almer, S., Ferreau, H.J., "Model Predictive Control of Load-Commutated Inverter-Fed Synchronous Machines", IEEE Transactions on Power Electronics, Vol. 31, No.10, October 2016, 7384-7393.
25. Griffo, A., Drury, D., Sawata,T., "Sensorless starting of Wound-Field Synchronous Starter/Generator for Aerospace Applications", IEEE Transactions on Industrial Electronics, Vol. 59, No. 9, September 2012., 3579-3587.
26. Zhou, Y., Long, S., "Sensorless Direct Torque Control for Electrically Excited Synchronous Motor Based Injecting High-Frequency Ripple Current Into Rotor Winding", IEEE Transactions on Energy Conversion, Vol. 30, No.1, March 2015., 246-253.
27. Wei, S., Zhou,Y., Li, S., Huang, Y., "A possible Configuration with Motor-generator Pair for Renewable Energy Integration", CSEE Journal of Power and Energy Systems, Vol. 3, No. 1, March 2017.,93-100.
28. Seol, H-S., Jeong, J-M., Lee, J., Jin, C-S., "Current Control of WRSM Considering Magnetic Saturation Phenomenon", IEEE Transactions on Magnetics, Vol. 52, No. 7, July 2016., 8204104.
29. Holtz, J., Cunha, G., Petry, N., Torri, P.J., "Control of Large Saliient-Pole Synchronous Machines Using Synchronous Optimal Pulsewidth Modulation", IEEE Transactions on Industrial Electronics, Vol. 62, No. 6., June 2015, 3372-3379.
30. Kyriakides, E., Heydt, G.T., Vittal, V.,"On-line Estimation of Synchronous Generator Parameters Using a Damper Current Observer and a Graphic User Interface", IEEE Transactions on Energy Conversion, Volume 19, Issue 3. ,September 2004., str. 499-507.
31. Chen, X., Zha, X., Li, C.,"Design of a Damper Winding Current Observer of Twelve-phase Synchronous Generator for Parameters Identification", Proceedings of the IEEE Conference on Power and Energy Engineering, Asia-Pacific, Chengdu, China, 2010. str. 1-4.

32. Park, R.H., "Two-reaction theory of synchronous machines generalized method of analysis-part I", Transactions of the American Institute of Electrical Engineers, Vol.48, No. 3, July 1929, str. 716-727.
33. Sauer,P.W., Pai,M.A., Chow,J.H., Power System Dynamics and Stability. John Wiley & Sons, 2018.
34. Jadrić,M., Frančić, B., Dinamika električnih strojeva, Graphis, Zagreb, 1997.
35. Kundur, P., Power System Stability and Control. McGraw-Hill, 1994.
36. Šundrica, M., Maljković, Z., "Nonlinear control model of synchronous motor with excitation and damper windings", Journal of Energy and Power Engineering 8 (2014),str. 379-389.
37. Šundrica; M., Erceg, I., Maljković, Z., "Nonlinear observer based control of synchronous machine drive system", Journal of Electrical Engineering & Technology, 2015, 10(3), str.1035-1047.
38. Hermann, R., Krener, A.,J., "Nonlinear Controllability and Observability" ", IEEE Transactions on Automatic Control, 1977, Vol. AC-22, no.5, str. 728-740.
39. Vaclavek, P.,Blaha, P.,Herman,I.,"AC Drive Observability Analysis", IEEE Transactions on Industrial Electronics, 2013, Vol. 60., no.8, str. 3047-3059.
40. Marino, R., Tomei, P., Verrelli, C.M., Induction Motor Control Design. Springer, 2009.
41. Landau, I.D., „Adaptive control: The model reference approach“, Marcel Dekker,New York, 1979.
42. Hartani, K., Merah, A.,"Electric Vehicle Longitudinal Stability Control based on a New Multimachine Nonlinear Model Predictive Direct Torque Control“, Hindawi, Journal of Advanced Transportation, 2017.
43. Zhiyu, W., Changsong, W., Xin, Q., Xianghua, M., „Study on Load Torque Identification On-line Based on Vector Control of Saliency PMSMs“, ELSEVIER, Procedia Engineering 23(2011), str. 89-94.
44. Gopinath, B., „On the Control of Linear Multiple Input-Output System“, The Bell System Technical Journal, Vol 50. No. 3., 1971., str. 1063-1081.
45. Albu M., Horga, V., Ratoi, M., „Disturbance Torque Observers for the Induction Motor Drives“, Journal of Electrical Engineering ,str. 1-6.
46. Comnac, V., Pejović, P., Cernat, M., Cernat, R-M., „The Control of Interior Permanent Magnet Synchronous Motor Using Gopinath Observer“, ELECTRONICS, Vol. 4., No. 1., November 2000.

47. Cheng, D., Tarn, T.T., Isidori, A., "Global Linearization of Nonlinear Systems Via Feedback", IEEE Transactions on Automatic Control, 1985, Vol. 30., no.8, str. 808-811.
48. Lu, Q., Sun, Y., Mei,S., "Nonlinear Control Systems and Power System Dynamics ", Kluwe Academic Publishers, Peking, 2000.
49. Marino,R., Tomei, P., Verrelli, C.M., „Induction motor control design“, Springer, Glasgow, 2008.
50. Slotine, J.J:E, Li,W., "Applied Nonlinear Control", Prentice-Hall, New Jersey, 1991.
51. Zelechowski,M., "Space Vector Modulated – Direct Torque Controlled (DTC-SVM) Inverter – Fed Induction Motor Drive", Doktorski rad, Warsaw University of Technology, Poljska, 2005.
52. Neacsu, D.O., "Space Vector Modulation-An Introduction", Proceedings of IEEE IECON, 2001, str. 1583-1592.
53. Jung, J-W., "Project #2 Space Vector PWM Inverter", Mechatronic Systems Laboratory - Department of Electrical and Computer Engineering – the Ohio state University, 2005.
54. Faldella, E., Rossi,C., "High-Efficiency PWM techniques for Digital Control of DC/AC Converters", APEC, 1994, vol. I, str., 115-121.
55. Šundrica, M., Maljković, Z., Erceg,I., "Synchronous machine control in variable speed operation", Interational Journal of Hydropower & Dams, Issue 6, 2014, str. 60-63.
56. Freeman, R.A., Kokotović, P.V., „Robust Nonlinear Contrlil Design“, Birkhauser, Boston, 1996.
57. Šundrica. M., Erceg I., Maljković, Z., „Integration of synchronous machine drive system for variable speed operation“, CIGRE Science & Engineering journal, CSE 005- June 2016, str. 87-92.
58. Vostrov, K., "Synchronous machine vectro control system development and implementation", Magistarski rad, Lappeenranta, 2016.
59. Babić, J., „Model-based approach to real-time embedded control system development with legacy components integration, Doktorski rad, Fakultet elektrotehnike i računarstva, Zagreb, 2014.
60. Tećec, Z., „Samopodesivi stabilizator elektroenergetskog sustava zasnovan na neizržitom modelu“, Doktorski rad, Fakultet elektrotehnike i računarstva, Zagreb, 2010.

61. Šundrica, M., Erceg, I., Paškvan, Z., „Testiranje algoritma upravljanja sinkronim strojem metodom procesor u petlji“, HRO CIGRE, Šibenik, 2017, str 1-9.

Životopis

Marijo Šundrica je rođen 05.05.1978. godine u Dubrovniku. Osnovnu školu i gimnaziju je završio u Dubrovniku. U Zagrebu 1996. godine upisuje Fakultet elektrotehnike i računarstva. na kojem diplomira na studiju Energetika 2002. godine.

Nakon odsluženja vojnog roka, u travnju 2003. godine, se zapošljava u Končar-Siemens energetske transformatori na radnom mjestu projektanta.

U ožujku 2006. godine prelazi u Končar-Inženjering za energetiku i transport. Pristupa poslovnoj jedinici Proizvodnja električne energije gdje se upoznaje s projektiranjem i izgradnjom hidroelektrana i termoelektrana. Sudjeluje u izgradnji “Blok-L” TE-TO Zagreb (2006-2011) u funkciji inženjera gradilišta, glavnog inženjera gradilišta te projektanta. Zatim kao projektant sudjeluje u izgradnji “Bhavani projekta” (BKB1, BKB2, BKB3) u Indiji od 2007-2012 g. Od 2011. Sudjeluje u izgradnji reverzibilne hidroelektrane Koyna 2x50 MVA u Indiji u svojstvu koordinatora projektiranja te tehničkog vođenja električnog dijela projekta. Kao glavni projektant sudjeluje u revitalizaciji CHE Fužine te kao tehnički koordinator u revitalizaciji RHE Velebit. Član je HRO Cigre i ovlašten je projektant Hrvatske komore inženjera elektrotehnike.

Na doktorskom studiju Fakulteta elektrotehnike i računarstva se usmjerava na istraživanje dinamike strojeva, posebice upravljanja sinkronim strojem.

Popis radova

1. Šundrica, M., Maljković, Z., “Nonlinear control model of synchronous motor with excitation and damper windings”, Proceedings of the IEEE Conference EuroCon, Zagreb, Croatia, 2013.
2. Šundrica, M., Maljković, Z., “Nonlinear control model of synchronous motor with excitation and damper windings”, Journal of Energy and Power Engineering 8 (2014),str. 379-389.
3. Šundrica, M., Maljković, Z., Erceg,I., “Synchronous machine control in variable speed operation”, Interational Journal of Hydropower & Dams, Issue 6, 2014,str. 60-63.
4. Šundrica; M., Erceg, I., Maljković, Z., “Nonlinear observer based control of synchronous machine drive system”, Journal of Electrical Engineering & Techknology, 2015, 10(3), str.1035-1047.

5. Šundrica. M., Erceg I., Maljković, Z., „Integration of synchronous machine drive system for variable speed operation“, CIGRE Science & Engineering journal, CSE 005-June 2016, str. 87-92.
6. Šundrica, M., Erceg, I., Paškvan, Z., „Testiranje algoritma upravljanja sinkronim strojem metodom procesor u petlji“, HRO CIGRE, Šibenik, 2017, str. 1-9.
7. Šundrica, M., „Synchronous Machine Nonlinear Control System Based on Feedback Linearization and Deterministic Observers“ u Control Theory in Engineering Volosencu C., IntechOpen, London 2019, 23 str.

Curriculum Vitae

Marijo Šundrica was born in Dubrovnik on 05.05.1978. There he completed the elementary school and highschool. In 1996 he began studies at Faculty of electrical engineering and computing in Zagreb. He graduated in 2002.

After he finished his military service in 2003. he started working in Končar-Siemens Power Transformers as an designer.

In 2006. he was employed by Končar-Power Plant and Electric Traction Engineering. He has been working on hydro and thermo power plant projects. At first at „Blok L“ TE-TO Zagreb project and then on „Bhavani project“ in India. Since 2011 he has been working on pump storage hydro project Koyna 2x50 MVA as a technical coordinator. He has taken part in revitalization of CHE Fužine as a chief designer and in revitalization of RHE Velebit as a technical coordinator. He is member of HRO CIGRE and Croatian chamber of electrical engineers.

In his PhD study he researches field of electrical machines dynamics, especially the control of synchronous machines.