

# Algoritmi za smanjenje zone neosjetljivosti u otkrivanju gubitka mrežnoga napona distribuiranih izvora električne energije u paralelnom pogonu s elektroenergetskim sustavom

---

Matišić, Zdravka

Doctoral thesis / Disertacija

2024

*Degree Grantor / Ustanova koja je dodijelila akademski / stručni stupanj:* **University of Zagreb, Faculty of Electrical Engineering and Computing / Sveučilište u Zagrebu, Fakultet elektrotehnike i računarstva**

*Permanent link / Trajna poveznica:* <https://um.nsk.hr/um:nbn:hr:168:899886>

*Rights / Prava:* [In copyright](#) / [Zaštićeno autorskim pravom.](#)

*Download date / Datum preuzimanja:* **2025-01-09**



*Repository / Repozitorij:*

[FER Repository - University of Zagreb Faculty of Electrical Engineering and Computing repozitory](#)





Sveučilište u Zagrebu  
FAKULTET ELEKTROTEHNIKE I RAČUNARSTVA

Zdravko Matišić

**ALGORITMI ZA SMANJENJE ZONE  
NEOSJETLJIVOSTI U OTKRIVANJU GUBITKA  
MREŽNOGA NAPONA DISTRIBUIRANIH IZVORA  
ELEKTRIČNE ENERGIJE U PARALELNOG POGONU  
S ELEKTROENERGETSKIM SUSTAVOM**

DOKTORSKI RAD

Zagreb, 2024.



Sveučilište u Zagrebu  
FAKULTET ELEKTROTEHNIKE I RAČUNARSTVA

ZDRAVKO MATIŠIĆ

**ALGORITMI ZA SMANJENJE ZONE  
NEOSJETLJIVOSTI U OTKRIVANJU GUBITKA  
MREŽNOGA NAPONA DISTRIBUIRANIH IZVORA  
ELEKTRIČNE ENERGIJE U PARALELNOM POGONU  
S ELEKTROENERGETSKIM SUSTAVOM**

DOKTORSKI RAD

Mentor: prof. dr. sc. Juraj Havelka

Zagreb, 2024.



University of Zagreb  
FACULTY OF ELECTRICAL ENGINEERING AND COMPUTING

Zdravko Matišić

**Loss of mains protection algorithm for reducing  
dead zone in distributed generation parallel  
operation in power system**

DOCTORAL THESIS

Supervisor: Professor Juraj Havelka ,PhD

Zagreb, 2024

Doktorski rad izrađen je na Sveučilištu u Zagrebu Fakultetu elektrotehnike i računarstva, na Zavodu za visoki napon i energetiku.

Mentor: prof. dr. sc. Juraj Havelka

Doktorski rad ima: 88 stranica

Doktorski rad br.: \_\_\_\_\_



## **O mentoru**

Juraj Havelka rođen je u Zagrebu 1974. godine. Diplomirao je, magistrirao i doktorirao u polju elektrotehnike na Sveučilištu u Zagrebu Fakultetu elektrotehnike i računarstva (FER), 1998., 2002. odnosno 2006. godine. Od ožujka 1999. godine radi na Zavodu za visoki napon i energetiku FER-a. U rujnu 2010. godine izabran je u zvanje docenta, u siječnju 2017. u zvanje izvanrednog profesora te 2020. u zvanje redovitog profesora. Bio je voditelj DINGO projekta (European Structural and Investment Funds) čiji je cilj bio smanjenje gubitaka u distribucijskim mrežama. Sudjelovao je na brojnim domaćim i međunarodnim znanstvenim projektima. Neki od posljednjih znanstvenih projekata na kojima je sudjelovao su GRIP, EV BASS i KONPRO 2. Objavio je niz radova u stranim znanstvenim časopisima kao i na međunarodnim znanstvenim konferencijama. Područja radova su iz zaštite elektroenergetskog sustava, automatike elektroenergetskog sustava i kvalitete električne energije. Sudjelovao je i bio je voditelj u nizu stručnih studija koje je FER izvodio za gospodarske subjekte u Republici Hrvatskoj i inozemstvu. Prof. dr. sc. Juraj Havelka član je stručne udruge IEEE i CIGRE. Sudjelovao je u nekoliko međunarodnih programska odbora znanstvenih konferencija, te kao recenzent u međunarodnim časopisima. Član je međunarodnog uredničkog vijeća za „Journal of Energy“. Na FER-u obnaša dužnost povjerenika za gospodarenje energijom i predsjednik je Radne skupine za gospodarenje energijom FER-a, koja je osnovana od strane Dekana.

## **About the supervisor**

Juraj Havelka was born in Zagreb in 1974. He received his bachelor's degree, master's degree, and doctorate in the field of electrical engineering at the University of Zagreb, Faculty of Electrical Engineering and Computing (FER), in 1998, 2002, and 2006, respectively. Since March 1999, he has been working at the Institute for High Voltage and Energetics of FER. In September 2010, he was elected to the position of assistant professor, in January 2017 to the position of associate professor and of 2021. he is a full professor. He managed DINGO project (European Structural and Investment Funds) which goal was loss reduction in distributed networks. He participated in numerous domestic and international scientific projects. Some of the last scientific projects in which he participated were GRIP, EV BASS and KONPRO 2. He published a number of papers in foreign scientific journals as well as at international scientific conferences. The areas of work are power system protection, power system automation and power quality. He participated and was the leader in a series of professional studies that FER conducted for economic subjects in the Republic of Croatia and abroad. Prof. Ph.D. Juraj Havelka is a member of the IEEE and CIGRE professional associations. He participated in several international program committees of scientific conferences, and as a reviewer in international journals. He is a member of the international editorial board for the "Journal of Energy". At FER, he holds the position of commissioner for energy management and is the president of the Working Group for Energy Management of FER, which was established by the Dean.



## Sažetak

Integracijom sve više obnovljivih izvora energije u elektroenergetsku mrežu povećava se kompleksnost sustava električne zaštite. Pogon distribuiranih izvora podrazumijeva trajni paralelan rad uz uvjet galvanskog spoja na aktivnu tj. krutu mrežu. U slučaju gubitka spoja na aktivnu mrežu distribuirana proizvodnja tj. elektrana ima obavezu isključenja od ostatka mreže s preostalim korisnicima, što je definirano kao otočni pogon.

Neadekvatno isključenje elektrane s mreže može dovesti do opasnosti za pogonsko osoblje, oštećenja opreme kako kod korisnika mreže tako i u samom proizvodnim postrojenju. Za mreže s izvedenom APU (automatski ponovni uklop) funkcijom distribuirana proizvodnja mora se isključiti prije ponovnog uklopa dok za mreže u kojima nema APU-a standard IEEE 1547 daje maksimalno trajanje otočnog pogona od 2 sekunde. Osiguranje realizacije zaštite od otočnog pogona izvedeno je preko numeričke zaštite koja djeluje na sučelju proizvodnog postrojenja i mreže. Iako postoji više vrsta zaštite od otočnog pogona, najviše se koriste zaštita od pomaka kuta vektora napona i zaštita od brzine promjene frekvencije. Druge metode uključuju injekciju određene vrste signala čekajući odaziv u promjeni električnih parametara sustava u svrhu detekcije otočnog pogona. Kod svakog novog priključenja distribuirani izvor prolazi pokusni rad u kojem se ispituje odaziv zaštite od otočnog pogona. Istraživane su djelotvornosti spomenutih zaštita od otočnog pogona baziranih na pomaku kuta vektora napona i zaštita od brzine promjene frekvencije kao "mainstream" metode detekcije. Spomenute metode se koriste nekoliko godine te je razvidno da se mogu unaprijediti njihovi algoritmi na način da zadovoljavaju nove zahtjeve elektroenergetskog sustava (EES).

**Ključne riječi:** distribuirana proizvodnja, zaštita od otočnog pogona, vektor pomaka kuta napona, zaštita od brzine promjene frekvencije, unaprijeđeni algoritmi.

## **Extended abstract**

The conventional power grid forms the foundation of modern society, ensuring a continuous supply of electricity that is essential for daily life and economic development. This grid is based on centralized electricity generation in large power plants, such as thermal power plants, hydropower plants, and nuclear power plants, from where energy is transmitted via high-voltage power lines to the distribution network and finally to end consumers. Such infrastructure, developed over the past century, allows for efficient and reliable delivery of electricity to a large number of users. However, the conventional power grid faces numerous challenges, including the need to reduce its environmental footprint, transmission losses, and the integration of an increasing share of renewable energy sources. Understanding the structure and functionality of the conventional grid is crucial for recognizing its strengths and limitations, as well as for guiding future innovations and improvements that will meet society's growing energy needs. The growing concern over climate change, environmental pollution, and the depletion of fossil fuels highlights the urgent need to transition to sustainable energy sources. Given the increasingly evident consequences of climate change, such as extreme weather events, rising sea levels, and ecosystem degradation, the need to shift to sustainable energy systems has never been greater. Renewable energy sources, such as solar energy, wind energy, hydropower, geothermal energy, and biomass, represent a key component of the global strategy to achieve energy security and sustainable development. They not only offer the potential to reduce greenhouse gas emissions but also to diversify energy resources, create new jobs, and stimulate economic growth. The development and implementation of technologies for harnessing renewable energy have significantly advanced in recent decades. In Croatia, as in many other countries, there is significant potential for utilizing renewable energy sources. The geographical location, climate conditions, and natural resources offer numerous opportunities for the development of various forms of renewable energy. Despite the obvious advantages, the integration of these technologies into existing energy systems faces numerous challenges. Among them are high initial costs, the impact on system operation management, the need for infrastructure improvements, variability in energy production, and regulatory and political issues.

With the extensive implementation of renewable energy sources into the power grid, the complexity of the electrical protection system increases. The drive of distributed sources implies permanent parallel operation with the condition of a galvanic connection to an active, i.e. rigid network. In case of loss of connection to the active network, distributed production, i.e. the power plant, has the obligation to disconnect from the rest of the network with the

remaining users, which is defined as an island operation. Inadequate disconnection of the power plant from the network can lead to danger to the operating personnel, damage to the equipment both for the users of the network and in the production plant itself. For networks with an APU (automatic reconnection) function, distributed generation must be switched off before reconnection, while for networks without an APU, the IEEE 1547 standard gives a maximum islanding duration of 2 seconds. Ensuring the implementation of protection against islanding is carried out through numerical protection that operates at the interface of the production facility and the network. Although there are several types of islanding protection, the most commonly used are voltage vector angle shift protection and frequency rate of change protection. Other methods involve injecting a certain type of signal while waiting for a response in changing the electrical parameters of the system for the purpose of islanding detection. With each new connection, the distributed source goes through a trial run in which the response of the protection against island operation is tested. The effectiveness of the aforementioned islanding protection based on voltage vector angle shift and protection against the rate of frequency change as a "mainstream" detection method were investigated. The mentioned methods have been used for several years, and it is clear that their algorithms can be improved in such a way that they meet the new requirements of the electric power system.

This dissertation consists of 6 chapters. In the introductory chapter, protection against islanding in a power system with a high proportion of integrated renewable energy sources analyzed. Deficiencies of existing detection methods and algorithms have been identified and presented.

In the second chapter, a detailed overview of the impact of renewable sources on the power system is given. RES has a direct impact on the short-circuit current in the distribution network. The influence, i.e. the level of contribution to short-circuit currents, depends on its installed power type and the distance to the fault location. The occurrence of non-selective or incorrect operation of the protection in the network may be the reason for not taking into account the newly integrated RES, i.e. if the protection parameters are not adjusted according to the power plant's contribution current, which may be higher than the current threshold value. This possibility is very likely if the OIE drive machine is a synchronous or asynchronous generator or there is a large solar, i.e. concentrated set of power plants. An island or isolated drive still represents a great challenge today and is the subject of numerous researches and tests. According to the definition and legislation, RES may not supply part of the network with other users in the long term if the galvanic connection with the rest of the network has been broken. The influence on the constant periodic distortion of the mains voltage from the sinusoidal form

is also called harmonic distortion. The influence factor on harmonic distortion can be caused by the production units themselves, i.e. synchronous and asynchronous generators, and especially from sources or consumers based on power electronics. Influence on automatic voltage regulation. Automatic voltage regulation in the distribution network has been and still uses traditional methods of voltage regulation by the compensation-regulation method, which includes the assumption of only one direction of electricity flow. As standard automatic voltage regulation control devices measure current without direction, the influence of large or concentrated integrated RES, in the network below the point of automatic regulation, can create an apparent false state for the control system and cause the regulation to excessively increase or decrease the operating voltage by changing the direction of the flow of electricity. The occurrence of voltage drops is most often attributed to network failures or sudden changes in the switching of large power in the system. RES is affected in the same way if its installed capacity is large enough that its sudden dropout from the network causes large voltage changes, as well as if it is suddenly connected to the network asynchronously, at nominal power.

In the third chapter, traditional methods used to detect islanding are described. The methods of detection and operation of protection against islanding are basically divided into two main sections, local and remote. Local methods are further divided into active passive and hybrid methods. While remote are divided into communication, signal and methods based on artificial intelligence. The success of any islanding detection method is qualified by the value of the size of the insensitivity zone or more commonly none as NDZ-Non Detection Zone. Each method is mathematically related to the parameters by which the islanding is detected, that is, those parameters where the method is insufficient. Passive detection methods are manifested as very fast-acting protection against islanding, but also very unsafe and often ineffective in terms of incorrect and non-selective operations. These mal-operations are triggered with the occurrence of fluctuations in measured quantities caused by failures that do not result in islanding. Their zone of insensitivity is quite large, which results in lower reliability of the detection methods themselves. Active detection methods use the artificial creation of oscillations in the network by measuring the feedback response of certain electrical quantities in the distributed generation system. Artificially generated oscillations affect the change of quantities that enter into the classification of quality parameters. Compared to passive detection methods, they have a relatively small zone of insensitivity. The amplitude of artificially generated oscillations usually does not exceed the value of 1% of the nominal power of distributed generation. Hybrid detection methods use a combination of active and passive methods. Remote detection methods are installed in facilities of distributed sources and system operators, most often in distribution.

These methods of detection have proven to be more reliable than local ones, but they require significant investments in the automation system and complex communication infrastructure. It is important to mention that these detection methods have almost no insensitivity zone. At the end of the chapter, a comparative section of all the mentioned islanding detection methods is presented according to the NDZ size factor, the index of wrong or non-selective operation for the RES state when it is not in island operation, and applicability per RES unit.

In the fourth chapter, the various conditions for protection against islanding are listed and described. The network rules provide the legal-technical framework of obligations and the applicability of protection against islanding together with the necessary degrees of protection for separation. Further in the chapter, conditions are described in accordance with the EU RFG regulation 631. Commission Regulation (EU) 2016/631 of April 14, 2016 on the establishment of network rules for unified requirements for connecting RES to the network. The regulation mandates the categorization of production modules from A-D according to the installed power and voltage level of the connection, which each member state has the right to define by setting the parameters within which power plants must maintain operation with the system. The basic set of requirements refers to frequency maintenance, voltage maintenance, requirements according to the level of contribution to short circuits, to the production of reactive power, to the level of management of the regime of the power plant and finally to the quality of supply. In addition, the regulation prescribes the mandatory exchange of information between the operator and the power plant (for type B, C and D, for A it is not mandatory), the communication protocol and content of the exchange telegram is defined by the transmission system operator. The most commonly used protocols for information exchange are IEC 61850 and IEC 60870.

In the fifth chapter, algorithms with improved characteristics and a newly developed algorithm are presented. The introduction to the chapter shows real oscillograms of faults in the network and when islanding occurs. The working principle of voltage vector shift detection algorithms and frequency change rate with improved characteristics is presented. Further in the chapter, the working principle of the islanding detection algorithm based on the voltage frequency differential is presented. The communication scheme used by the algorithm and the level and time resolution of the exchange of measured quantities are described. The chapter contains a graphic representation of the algorithm, a functional description of programming and implementation used in laboratory tests.

The results of the dynamic analysis of the network model and the experimental results are also presented in the fifth chapter. The working principle of algorithms with improved characteristics was carried out by parallel simulation of the results of dynamic analyses. Testing

and validation of the developed voltage frequency differential algorithm was carried out by simulating real signals, using a device for laboratory testing of numerical protection that emulates oscillogram values of real faults and island drives. The obtained results indicate that the proposed algorithms really work in the detection of island work and that their zone of insensitivity is significantly reduced compared to the existing ones. The voltage frequency differential detection algorithm, according to the results of dynamic analyses, has the smallest zone of insensitivity.

The sixth chapter concludes the dissertation and provides guidelines for further research. It is indicated that the developed algorithms are applicable and that their implementation in islanding protection devices would be useful.

**Key words:** distributed generation, islanding protection, voltage angle shift, rate of change of frequency, enhanced algorithms

# Sadržaj

Poglavlje 1.....	1
Uvod.....	1
Poglavlje 2.....	6
Utjecaj distribuirane proizvodnje na elektroenergetski sustav.....	6
2.2 Proračun i vrste kratkih spojeva u distribucijskoj mreži .....	9
2.3 Doprinos distribuiranih izvora struji kratkih spojeva .....	15
2.4 Električna zaštita u distribucijskom sustavu.....	17
2.5 Utjecaj distribuirane proizvodnje na zaštitu u elektroenergetskom sustavu.....	21
Poglavlje 3.....	23
Zaštita od otočnog pogona .....	23
3.1 Metode detekcije otočnog pogona i definicija zone neosjetljivosti.....	23
3.2 Lokalne metode detekcije.....	25
3.2.1 Pasivne metode detekcije .....	25
3.2.2 Aktivne metode detekcije.....	30
3.2.3 Hibridne metode detekcije .....	32
3.2.4 Daljinske metode detekcije .....	35
3.3 Usporedni pregled metoda detekcija otočnog pogona.....	37
Poglavlje 4.....	40
Uvjeti na zaštitu od otočnog pogona .....	40
4.1 Uvjeti s obzirom uredbu RFG 631 .....	40
4.2 Zaštita sukladno mrežnim pravilima distribucijskog sustava.....	44
Poglavlje 5.....	46
Algoritmi sa poboljšanom karakteristikom za detekciju otočnog pogona .....	46
5.1 Algoritam detekcije pomaka vektora napona sa poboljšanom karakteristikom .....	49
5.2 Algoritam detekcije brzine promjene frekvencije sa poboljšanom karakteristikom ..	55
5.3 Algoritam diferencijalne zaštite frekvencije napona .....	60
5.4 Dinamička analiza modela mreže i verifikacija uspješnosti algoritma .....	64
5.5 Laboratorijsko ispitivanje DZF algoritma .....	70
Poglavlje 6.....	73
Zaključak.....	73

Literatura .....	75
Popis slika .....	82
Popis tablica .....	84
Biografija.....	85
Biography .....	88



# Poglavlje 1

## Uvod

Konvencionalna elektroenergetska mreža predstavlja osnovu modernog društva, osiguravajući neprekidnu opskrbu električnom energijom koja je ključna za svakodnevni život i ekonomski razvoj. Ova mreža temelji se na centraliziranoj proizvodnji električne energije u velikim elektranama, kao što su termoelektrane, hidroelektrane i nuklearne elektrane, odakle se energija prenosi dalekovodima do distribucijske mreže i konačno do krajnjih potrošača. Takva infrastruktura, koja se razvijala tijekom proteklog stoljeća, omogućava učinkovitu i pouzdanu isporuku električne energije velikom broju korisnika. Međutim, konvencionalna elektroenergetska mreža suočava se s brojnim izazovima, uključujući potrebu za smanjenjem ekološkog otiska, gubitaka tijekom prijenosa energije, te integracijom sve većeg udjela obnovljivih izvora energije. Razumijevanje strukture i funkcionalnosti konvencionalne mreže ključno je za prepoznavanje njezinih prednosti i ograničenja te za usmjeravanje budućih inovacija i unapređenja koja će zadovoljiti rastuće energetske potrebe društva.

Sve veća zabrinutost zbog klimatskih promjena, onečišćenja okoliša i iscrpljivanja fosilnih goriva stavlja u središte pozornosti potrebu za prijelazom na održive izvore energije [1]. S obzirom na sve izraženije posljedice klimatskih promjena, kao što su ekstremne vremenske nepogode, porast razine mora i degradacija ekosustava, potreba za prelaskom na održive energetske sustave nikada nije bila veća. Obnovljivi izvori energije, kao što su solarna energija, energija vjetra, hidroenergija, geotermalna energija i biomasa, predstavljaju ključnu komponentu globalne strategije za postizanje energetske sigurnosti i održivog razvoja. Oni ne samo da nude potencijal za smanjenje emisije stakleničkih plinova, već i za diversifikaciju energetske resursa, stvaranje novih radnih mjesta te poticanje ekonomskog rasta. Razvoj i implementacija tehnologija za iskorištavanje obnovljivih izvora energije značajno su napredovali u posljednjim desetljećima. U Hrvatskoj, kao i u mnogim drugim zemljama, postoji značajan potencijal za korištenje obnovljivih izvora energije. Zemljopisni položaj, klimatski uvjeti i prirodni resursi pružaju brojne mogućnosti za razvoj različitih oblika obnovljive energije. Unatoč očitim prednostima, integracija ovih tehnologija u postojeće energetske sustave suočava se s brojnim izazovima. Među njima su visoki početni troškovi, utjecaj na

vođenje pogona sustava, potreba za unapređenjem infrastrukture, varijabilnost u proizvodnji energije, te regulatorna i politička pitanja.

Između ostalog, integracija obnovljivih izvora u elektroenergetsku mrežu dovodi do povećanja složenosti i zahtjeva na sustav električne zaštite [2]. Električna zaštita predstavlja jednu od najkritičnijih komponenti elektroenergetskog sustava osiguravajući siguran i pouzdan rad sa zadaćom isključenja i izoliranja onog dijela mreže koji je pod kvarom [3]. Električna mreža je podložna kratkim spojevima i kvarovima koji mogu prouzročiti značajnu materijalnu štetu te predstavljati potencijalnu opasnost po zdravlje korisnika i operatera sustava [4]. Integracija obnovljivih izvora energije u sustav predstavlja temeljne promjene za postojeće i nove sustave zaštite u smislu koncepta tradicionalne koordinacije preko vremenske i strujne selektivnosti [5]. Priključenje jednog ili više obnovljivih izvora na određeni dio mreže podrazumijeva reviziju parametara, stupnjeva te vrsta postojećih i novih zaštita [6]. Revizija je nužna jer u protivnom može doći do isključenja krivih dionica mreže ili ne-isključenja prilikom kvara, može doći do pojave neželjenog otočnog pogona ili asinkronog spoja prilikom aktivacije funkcije ponovnog uključenja [7].

U sklopu ovog istraživanja detaljno se analizira zaštita od otočnog pogona u elektroenergetskom sustavu sa visokim udjelom integriranih obnovljivih izvora energije. Utvrđeni su nedostaci postojećih metoda i algoritama za detekciju te su predloženi novi i poboljšani algoritmi. Otočni pogon definiramo kao pogonsko stanje električne mreže kod kojeg određeni dio korisnika ostaje napajan od strane jednog ili više OIE bez galvanske veze sa aktivnom mrežom. Sukladno važećoj legislativi otočni pogon nije dozvoljen te je propisano da se distribuirana proizvodnja mora odvojiti trenutno, prije ponovnog uključenja tj. minimalno u periodu od dvije sekunde kada ne postoji funkcija automatskog ponovnog uključenja prema IEEE 1547-2018 [8]. Automatsko ponovno uključenje je funkcija prekidača da kod prolaznih kvarova ponovno ukopi isključeni dio mreže u jako malom vremenskom periodu od obično 400 ms. Nemogućnost isključenja OIE prije ponovnog uključenja može dovesti do oštećenja opreme i daljnjih kvarova kako u postrojenju OIE tako i kod ostalih korisnika mreže.

Konvencionalne zaštite od otočnog pogona možemo podijeliti na takozvane pasivne, aktivne i daljinske metode [9]. U praksi se također mogu i naći hibridne i daljinske metode zaštite od otočnog pogona koje kombiniraju više od jedne navedenih metoda detekcije [10].

Pasivne metode detekcije baziraju se na trajnom mjerenju lokalnih električkih veličina poput promjena u naponu, frekvenciji ili harmonijskom izobličenju koje isključuju OIE u slučaju devijacije izvan parametara postavki uzrokovanih pojavom otočnog pogona. Za slučaj uspješne detekcije otočnog pogona, za djelovanje pasivnih zaštita mora postojati veliki diferencijal

proizvodnje OIE s potrošnjom u dijelu mreže u kojem je nastalo otočno stanje. Zaključno, osjetljivost pasivnih metoda detekcije otočnog pogona je strogo funkcionalno zavisno o pragu postavki njihovih zaštita. Postavljanjem nižeg praga povećava se osjetljivost zaštite dok se s druge strane povećava mogućnost krivog isključenja za pojavu kvarova i poremećaja u mreži kod kojih nije došlo do uspostavljanja otočnog pogona [11]. Najčešće korištene metode zaštite od otočnog pogona su zaštita od pomaka vektora napona, zaštita od brzine promjene frekvencije, pod i nad frekventna te pod i nad naponska zaštita [12]. Korištenje releja s implementiranim funkcijama od pomaka vektora napona i brzine promjene frekvencije pokazale su se kao najjeftinije i najjednostavnije za korištenje kao zaštita od otočnog pogona [13].

Aktivne metode detekcije stvaraju dinamičke promjene električnih parametara u mreži prateći njihov odaziv. Uvađajući dodatne varijable za mjerenje, kontroliranim dinamičkim promjenama utječe se na odaziv mreže koji je drugačiji u otočnom pogonu nego li kada je OIE spojen na aktivnu mrežu na način da ne utječe na normalan rad niti stvara štetne smetnje u mreži i kod korisnika [14]. Primjenom ovakvih metoda očekuje se povratna sprema na promjene mjerenih varijabli kada dođe do otočnog pogona [15]. Glavnina aktivnih metoda detekcije uključuje mjerenje promjene impedancije mreže, metodu injekcije radne i jalove snage, primjena prisilnog pomaka frekvencije, „Sandia“ pomak frekvencije i/ili napona, slip režim pomaka frekvencije [16] te detekcijske metode bazirane na promjeni kuta impedancije [17].

Daljinske metode detekcije zasnivaju se na komunikacijskoj povezanosti između objekata aktivne mreže sa samom opremom u postrojenju OIE zasnivajući detekciju otočnog pogona s obzirom na uklopno stanje sklopnih aparata [18].

Nasuprot zaštiti od otočnog pogona OIE ima obaveznu funkciju prolaska kroz kvar (eng. akronim FRT- Fault Ride Through capability) [19]. FRT funkcija je sposobnost OIE da ostane priključen na električnu mrežu za vrijeme kratkotrajnih propada napona uzrokovanih kvarovima u mreži za koje nije ispunjen uvjet nastanka otočnog pogona. Po FRT karakteristici vrijednost napona može propasti do vrijednosti od 0.05 p.u. u trajanju od 150 do 250 ms. Osim propada napona, kvarovi mogu prouzrokovati značajne devijacije frekvencije koje kao posljedicu uzrokuju isključenje OIE sa mreže djelovanjem bilo pasivnih ili aktivnih metoda zaštite. Zahtjevi za FRT-om utječu na parametre algoritama pasivnih zaštita od otočnog pogona povećavajući njihovu zonu ne-detekcije (eng NDZ Non Detection Zone). Zaključno, metode detekcije otočnog pogona moraju biti imune na pojavu kvarova u mreži u trajanju od minimalno 150 ms, koje ne rezultiraju samim otočnim radom, podržavajući FRT.

U travnju 2016. godine donesena je „Uredba Komisije o uspostavljanju mrežnih pravila za unificirane zahtjeve za priključivanje proizvođača električne energije na mrežu“ (EU) 2016/631 [8]. Uredba nalaže kategorizaciju proizvodnih modula od A-D sukladno instaliranoj snazi i naponskom nivou priključenja koje pojedina zemlja članica ima pravo definirati zadajući parametre unutar kojih elektrane moraju održavati pogon s EES-om. Osnovni skup parametara tj. zahtjeva definiranih prema uredbi su;

- Zahtjevi na održavanje frekvencije,
- Zahtjevi na održavanje napona,
- Zahtjevi prema razini doprinosa kratkim spojevima,
- Zahtjevi na proizvodnju jalove snage,
- Zahtjevi na razinu upravljanja režima elektrane,
- Zahtjevi na kvalitetu opskrbe.

Dodatno, uredba propisuje i obaveznu razmjenu informacija između EES-a tj. nadležnog operatora i elektrane (za tip B, C i D, za A nije obaveza), komunikacijski protokol i sadržaj telegrama razmjene koji definira operator prijenosnog sustava. Protokoli koji se najčešće koriste za razmjenu informacija su IEC 61850 [20] i IEC 60870 [21].

Istraživanjem literature evidentno je da prethodno navedene metode zaštite od otočnog pogona imaju svoja ograničenja. Pasivne metode detekcije visoko su zavisne o razini postavljenih parametara o kojoj direktno zavisi veličina NDZ-a otočnog pogona. Veći prag postavljenih parametara doprinosi manjem broju krivih prorada dok se s druge strane povećava NDZ. Smanjenjem praga parametara pasivnih zaštita povećava se osjetljivost na otočni pogon, ali i prorade zaštite na kvarove u EES-u za koje nije ispunjen uvjet otočnog pogona dok s druge strane smanjenje praga doprinosi smanjenju NDZ-a. Zadaća pasivnih algoritama u ovoj disertaciji teži poboljšanju karakteristike djelovanja tj. smanjenja NDZ-a s povećanjem imuniteta na krive prorade s najjednostavnijom mogućom razinom implementacije. Aktivne metode detekcije zahtijevaju integraciju i korištenje dodatnih sklopova i opreme povećavajući složenost instalacije sustava proizvodnje. Aktivacija samog sustava detekcije aktivnim metodama utječe na odaziv mreže stvarajući anomalije tj. odaziv mreže na pojavu otočnog pogona koji može imati i negativne posljedice na kvalitetu i pogon EES-a [23]. Daljinske metode detekcije imaju visoku točnost pri detektiranju otočnog pogona što znači da NDZ skoro da i ne postoji. Za njihovu implementaciju je potrebno imati naprednu komunikacijsku infrastrukturu.

Odabir najučinkovitijeg i u isto vrijeme najjednostavnijeg rješenja predstavlja veliki izazov. Faktori koji utječu na odabir metode detekcije su npr. vrsta distribuiranih generatora, topologija

mreže naspram mjesta priključenja, naponska razina priključenja, broj proizvodnih jedinica i sl. Literatura i praksa ukazuju da se koriste sve navedene metode bez da je ijedna savršena. Potrebno je i dalje težiti usavršavanju zaštita za otkrivanje otočnog pogona da bolje rade svoju namijenjenu zadaću s naglaskom na pravilan odabir metode detekcije Pametne mreže (eng Smart Grids) te opća digitalizacija sustava nadzora i upravljanja EES-a ovisni su o razvoju komunikacijske infrastrukture i razmjene informacija. Jedan od algoritama u ovoj disertaciji koristi praktičnu implementaciju razmjene informacija na način da iskoristi mogućnost razmjene mjernih veličina putem IEC 61850-9-2 od mreže prema OIE dok se druga dva algoritma baziraju na poboljšanoj karakteristikici detekcije pomaka vektora napona i brzine promjene frekvencije. Praktična implementacija ovih algoritama uvelike bi poboljšala detekciju otočnog pogona uspoređujući ga s djelotvornosti klasičnih metoda pružajući otpornost na ne-uvjetna i kriva isključenja kod poremećaja u mreži tj. sukladnost prema FRT zahtjevima. Na samu metodu detekcije ne utječu promjena topologije mreže ili priključenje novih izvora za razliku od klasičnih metoda detekcije gdje je utjecaj uvelike negativan.

## Poglavlje 2

# Utjecaj distribuirane proizvodnje na elektroenergetski sustav

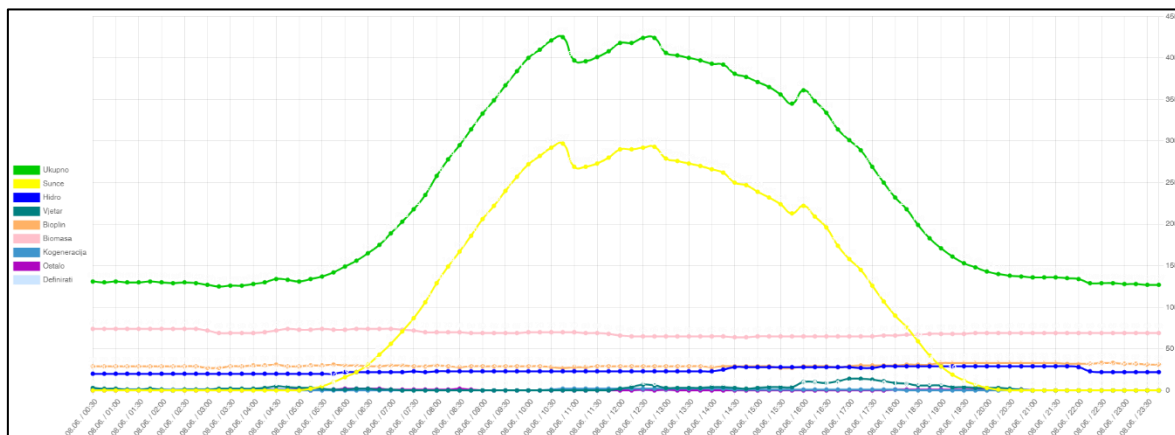
Trenutni status obnovljivih izvora energije u Hrvatskoj pokazuje značajan napredak, ali i dalje postoje izazovi koji zahtijevaju sustavni pristup i daljnja ulaganja. Postojeći potencijal i planovi za budući razvoj mogu značajno doprinijeti energetske neovisnosti i održivosti Hrvatske, pod uvjetom da se prevladaju postojeće prepreke i osigura potrebna institucionalna podrška. OIE u Hrvatskoj koriste različite oblike energije poput hidroenergije, energije vjetra, solarne energije, biomase i bioplina. Hrvatska, kao članica Europske unije, ima obvezu pridržavanja europskih ciljeva u vezi s obnovljivim izvorima energije. To uključuje povećanje udjela obnovljivih izvora energije u ukupnoj potrošnji energije i smanjenje emisija stakleničkih plinova. Solarna energija ima veliki potencijal za doprinos održivosti i energetske neovisnosti Hrvatske. Unatoč trenutnim izazovima, postoje značajne mogućnosti za razvoj ovog sektora kroz povećanje instaliranih kapaciteta, modernizaciju infrastrukture i poticanje investicija.

Integracija OIE u distribucijsku mrežu može imati znatan utjecaj te se posljedice na sustav mogu promatrati s pozitivnog ili/i negativnog aspekta od koji su najbitniji:

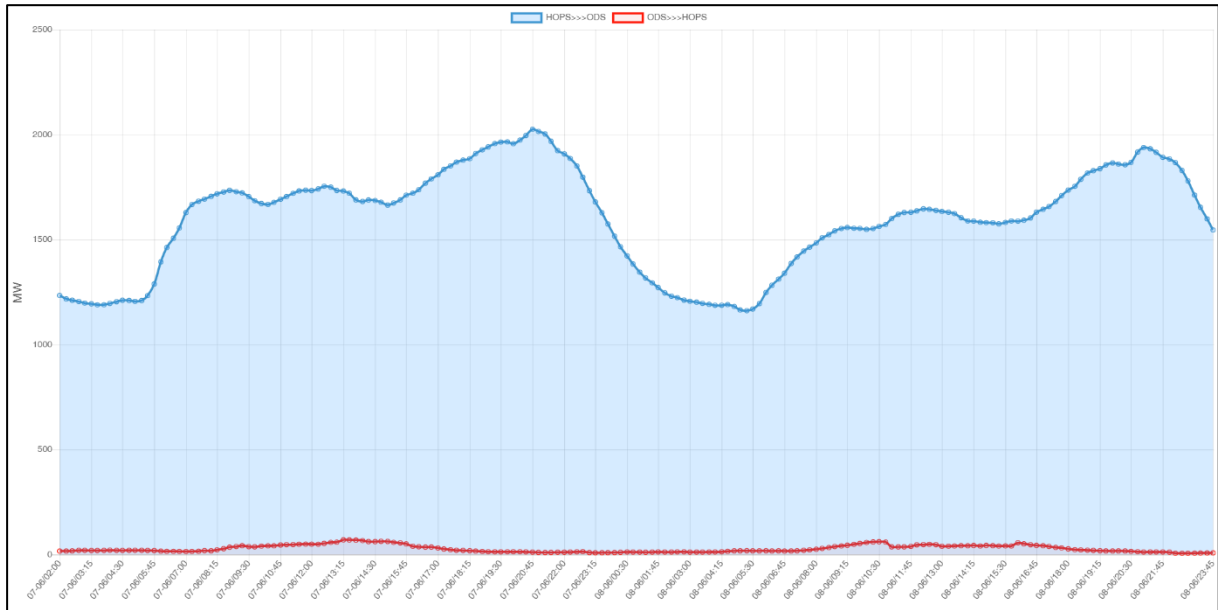
- Utjecaj na doprinos struji kratkih spojeva- OIE ima direktan utjecaj na struju kratkog spoja u distribucijskoj mreži. Utjecaj tj. razina doprinosa struji kratkog spoja je u ovisnosti o instaliranoj snazi, tipu i udaljenosti OIE do mjesta kvara.
- Pojava neselektivnih ili krivih prorada zaštita u mreži- Pojava neselektivnih ili krivih prorada zaštita u mreži može biti uzrok neuzimanja u obzir novo integriranih OIE tj. ako se ne prilagode zaštitni parametri prema struji doprinosa elektrane koja može biti veća od vrijednosti strujnog praga. Ova mogućnost je vrlo vjerojatna ako je pogonski stroj OIE sinkroni ili asinkroni generator ili postoji velika sunčana elektrana ili koncentrirani skup elektrana.
- Otočni ili izolirani pogon- Zaštita od otočnog pogona predstavlja i danas veliki izazov te je tema mnogobrojnih istraživanja i ispitivanja. Po definiciji i legislativi, OIE ne smije dugoročno napajati dio mreže sa ostalim korisnicima ako je došlo do prekida galvanske veze sa ostatkom mreže.

- Utjecaj na harmoničko izobličenje- Stalno periodično iskrivljavanje mrežnog napona od sinusnog oblika nazivamo i harmoničko izobličenje. Faktor utjecaja na harmoničko izobličenje može biti uzrokovano samim proizvodnim jedinicama tj. sinkronim i asinkronim generatorima, a posebno iz izvora ili potrošača baziranih na energetskej elektronici.
- Utjecaj na automatsku regulaciju napona- Automatska regulacija napona u distribucijskoj mreži do sada je i još uvijek koristi tradicionalne metode regulacije napona metodom kompenzacije-regulacije što uključuje pretpostavku samo jednog smjera toka električne energije. Kako standardni uređaji za upravljanje automatskom regulacijom napona mjere struju bez usmjerenja, utjecaj velikih ili koncentriranih integriranih OIE, mrežno ispod točke automatske regulacije, može upravljačkom sustavu prividno stvoriti pogrešno stanje i navesti regulaciju na prekomjerno povećanje ili smanjenje pogonskog napona mijenjajući smjer toka električne energije.
- Pojava propada napona- Kratkotrajni propadi napona najčešće su pripisani kvarovima u mreži ili naglim promjenama uključjenja/isključjenja velikih snaga u sustavu. Na isti način utječe i OIE ako mu je instalirani kapacitet dovoljno velik da njegovo naglo ispadanje sa mreže prouzroči velike promjene napona isto tako ako se asinkrono, kod nominalne snage, naglo uključi na mrežu.

Kao primjer slika 2.1 prikazuje proizvodnju SE na dan 08.06.2024., koji je tipično sunčan dan, slika 2.2 prikazuje ukupnu potrošnju na sučelju s prijenosnom mrežom, ukupna maksimalna proizvodnja OIE u distribucijskoj mreži iznosi 425 MW. Zvonolik izgled krivulje je rezultat kumulativa proizvodnje iz sunčanih elektrana (pad proizvodnje u 11:00 h je doprinos prolazne naoblake nad sjevernom i sjeverozapadnom dijelu Hrvatske).



**Slika 2.1:** Proizvodnja OIE u Hrvatskoj na dan 08.06.2024.



**Slika 2.2:** Snaga na sučelju prijenosne i distribucijske mreže

## 2.1 Proračun i vrste kratkih spojeva u distribucijskoj mreži

Proračun tokova snaga jedan je od osnovnih proračuna kojim se utvrđuju strujne i naponske prilike za definirana uklopna i pogonska stanja mreže. U proračunima tokova snaga čvorišta mreže se svrstavaju u tri kategorije: PQ čvorišta (čvorišta tereta) za koja se zadaje djelatna i jalova snaga injekcija (proizvodnja-potrošnja), PV čvorišta (generatorska čvorišta) za koja se zadaje injekcija djelatne snage i iznos napona, regulacijsko (bilančno, referentno) čvorište u kojem se zadaje napon po iznosu i kutu.

Problem tokova snaga se u osnovi svodi na rješavanje sustava nelinearnih jednadžbi, budući da su u elektroenergetskom sustavu poznate snage čvorišta, a ne struje. Jedna od najčešćih metoda za rješavanje takvog sustava jednadžbi je iterativna Newton-Raphsonova metoda [24].

Ukoliko se za napone i admitancije grana uvedu sljedeće oznake:

$$\bar{V}_i = V_i \angle \delta_i \quad \bar{V}_j = V_j \angle \delta_j \quad (2.1)$$

$$\bar{Y}_{ij} = Y_{ij} \angle \Theta_{ij} \quad (2.2)$$

za djelatnu i jalovu snagu u čvorištima mreže mogu se napisati sljedeći izrazi:

$$P_i = \sum_{j=1}^n V_i Y_{ij} V_j \cos(\delta_i - \Theta_{ij} - \delta_j) \quad (2.3)$$

$$Q_i = \sum_{j=1}^n V_i Y_{ij} V_j \sin(\delta_i - \Theta_{ij} - \delta_j) \quad (2.4)$$

Osnovna matricna jednadžba na kojoj se temelji ovaj iterativni postupak može se napisati u sljedećem obliku:



$$\begin{bmatrix} \Delta P \\ \Delta Q \end{bmatrix} = \begin{bmatrix} J_1 & J_2 \\ J_3 & J_4 \end{bmatrix} \cdot \begin{bmatrix} \Delta \delta \\ \Delta V \end{bmatrix} \quad (2.5)$$

Članovi Jacobijane dobiju se deriviranjem izraza 2.3 i 2.4 po kutu  $\delta$ , odnosno iznosu napona  $V$ . Obzirom da je utjecaj promjene iznosa napona čvorišta na djelatnu snagu neznatan, a isto tako je i zanemariv utjecaj promjene kuta napona čvorišta na jalovu snagu često se u Newton-Raphsonovom iteracijskom postupku zanemaruju podmatrice  $J_2$  i  $J_3$ , te matricna jednadžba 2.5 prelazi u oblik 2.6. U tom slučaju mogu se odvojeno promatrati jednadžbe utjecaja djelatne snage na kut napona, odnosno jalove snage na iznos napona (*Decoupled Newton-Raphson*).

$$\begin{bmatrix} \Delta P \\ \Delta Q \end{bmatrix} = \begin{bmatrix} J_1 & 0 \\ 0 & J_4 \end{bmatrix} \cdot \begin{bmatrix} \Delta \delta \\ \Delta V \end{bmatrix} \quad (2.6)$$

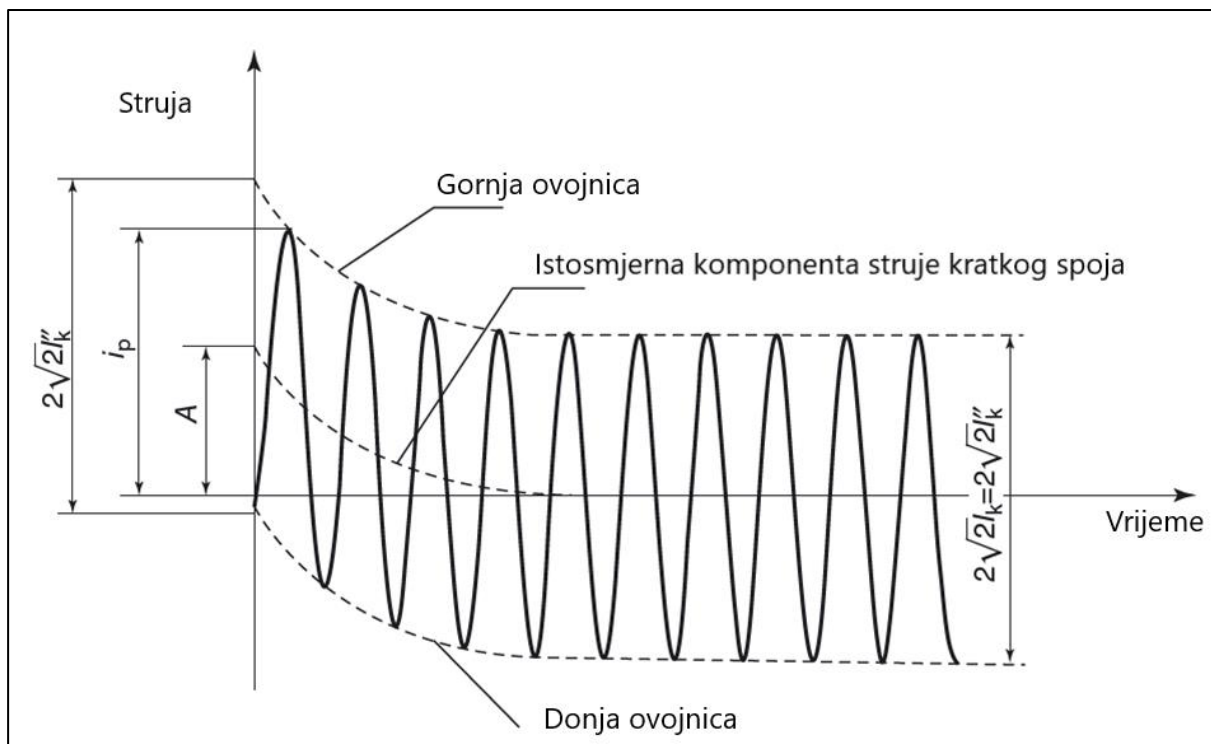
Veličina podmatrice  $J_1$  je  $n - 1$ , a veličina podmatrice  $J_4$  je  $n - n_{pv} - 1$  pri čemu je  $n$  ukupni broj čvorišta promatrane mreže, a  $n_{pv}$  broj PV čvorišta.

Rezultat proračuna tokova snaga su iznosi i kutevi napona u svim čvorištima mreže na temelju kojih se mogu odrediti i tokovi snaga po granama. Na temelju tih rezultata moguće je odrediti proizvodnju regulacijskog čvorišta, preopterećenja vodova i transformatora, čvorišta s naponima izvan dozvoljenih granica, te ona proizvodna čvorišta koja zbog nedostatka ili viška jalove snage nisu u stanju održati zadani napon na sabirnicama generatora.

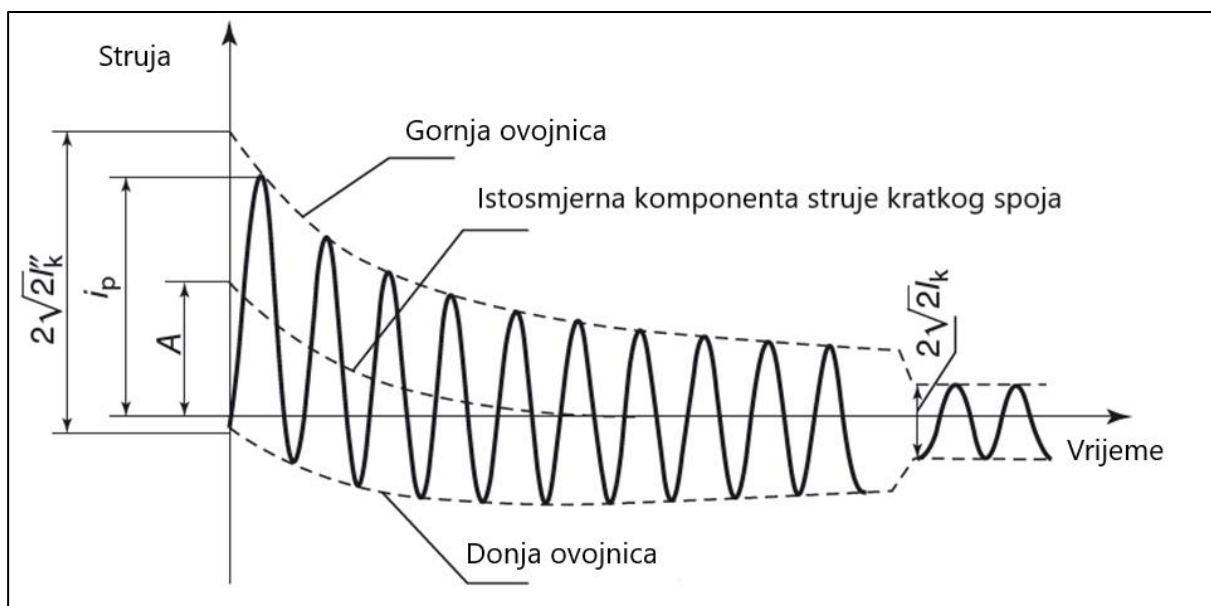
## 2.2 Proračun i vrste kratkih spojeva u distribucijskoj mreži

Elektroenergetska mreža je podložna različitim kvarovima i kratkim spojevima koji mogu prouzročiti značajnu štetu na opremi i predstavljati potencijalnu opasnost radnicima i korisnicima mreže. Sustav električne zaštite mora djelovati na način da što brže selektivno isključi dio mreže tj. elemente pod kvarom. Običajno najveće struje se očekuju kod trolnih kratkih spojeva dok iznos ostalih vrsta kratkih spojeva ovisi o samoj topologiji mreže i načinu radnog uzemljenja i na kraju samog mjesta nastanka kratkog spoja. Utjecaj OIE na struje kratkih spojeva promatramo sa dva aspekta. Prvi je mjesto priključenja OIE, ako se priključuju blizu konvencionalnih elektrana velike snage generatora njihov je utjecaja beznačajan, s druge strane ako se priključuju po dubini mreže daleko tj. električki daleko od krute mreže njihov utjecaj se mora uzeti u obzir. Odnos blizine ili daljine kvara od generatora prikazano je na slikama 2.3 i 2.4 originalno u [25] gdje su  $I_k$  inicijalna vrijednost struje kratkog spoja,  $i_p$  je vršna vrijednost struje kratkog spoja,  $i_{D.C.}$  istosmjerna komponenta struje kratkog spoja i  $A$  inicijalna maksimalna vrijednost istosmjerne struje. Bitno za napomenuti je da vršna vrijednost

istosmjernje komponente struje u ukupnoj struji kratkog spoja ovisi o trenutku nastanka tj. vrijednosti kuta napona i struja. Drugi se odnosi na veličinu doprinosa struji kratkih spojeva zavisno o tipu pogonskog stroja proizvodnje električne energije a to su sinkroni i asinkroni generatori te izmjenjivači.



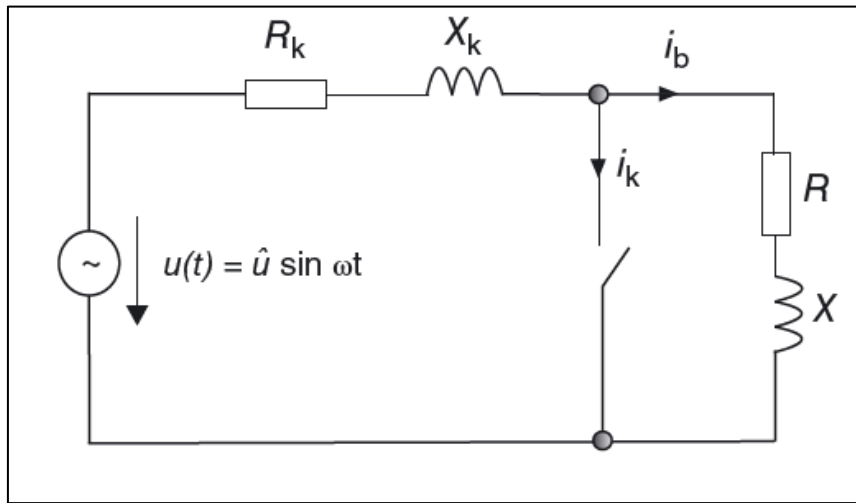
**Slika 2.3:** Kratki spoj daleko od generatora



**Slika 2.4:** Kratki spoj blizu generatora

Većina se pasivnih elemenata elektroenergetske mreže modelira kao serijski ili paralelni spoj otpora i reaktancija (R-X) dajući mogućnosti prikaza kvara prema radno-induktivnoj

karakteristici [26]. Pojednostavljeni jednopolni model mreže za potrebe analize kratkog spoja je prikazan na slici 2.5.



Slika 2.5: Jednopolni model

Pojava kratkog spoja se može formulirati u obliku diferencijalne jednačbe:

$$i_k \cdot R_k + L_k \frac{di_k}{dt} = \hat{u} \cdot \sin(\omega t + \psi) \quad (2.7)$$

Gdje je  $\psi$  vrijednost kuta pomaka faze u trenutku nastanka kratkog spoja. Rješenje nehomogene diferencijalne jednačbe prvog reda može imati homogeno  $i_k$  i partikularno rješenje  $i_k''$ .

$$i_k = i_{k\sim}'' + i_{k-} \quad (2.8)$$

Homogeno rješenje diferencijalne jednačbe, uzimajući u obzir da je  $\tau_g = L/R$  vremenska konstanta je:

$$i_k = \frac{-\hat{u}}{\sqrt{(R^2 + X^2)}} e^{t/\tau_g} \sin(\psi - \varphi_k) \quad (2.9)$$

Partikularno rješenje jednačbe je:

$$i_k'' = \frac{-\hat{u}}{\sqrt{(R^2 + X^2)}} \sin(\omega t + \psi - \varphi_k) \quad (2.10)$$

Ukupna struju kratkog spoja daju zajedno homogeno i partikularno rješenje izrazom:

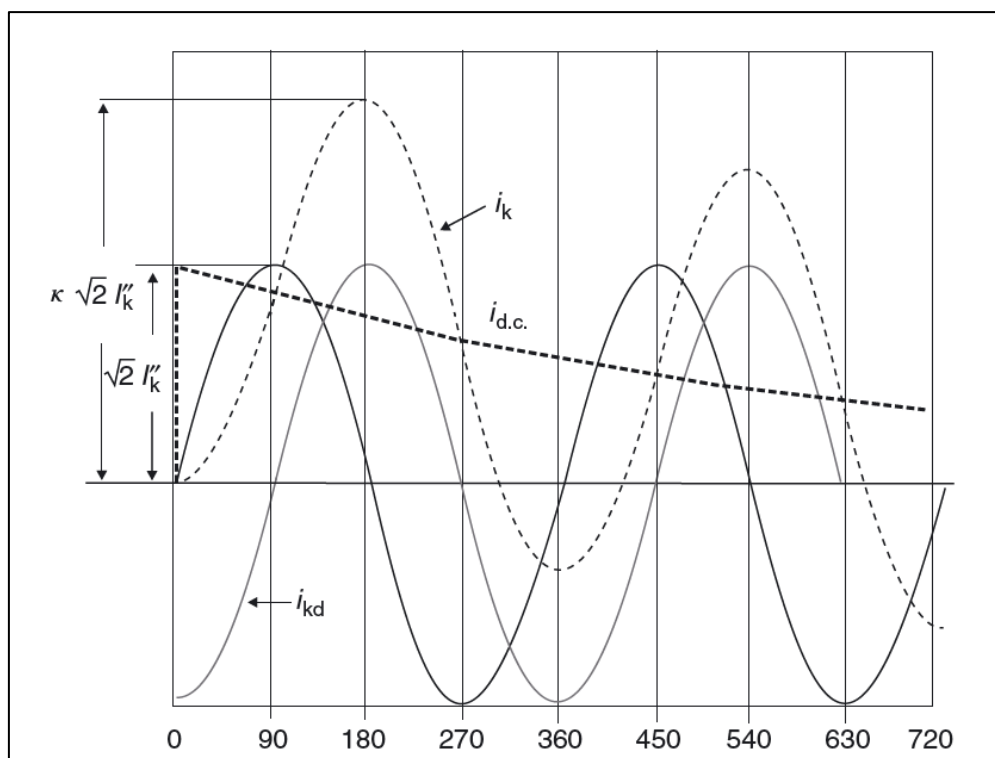
$$i_k'' = \frac{-\hat{u}}{\sqrt{(R^2 + X^2)}} \left[ \sin(\omega t + \psi - \varphi_k) - e^{t/\tau_g} \sin(\psi - \varphi_k) \right] \quad (2.11)$$

Fazni kut struje kratkog spoja prema jednačbi 2.11 je:

$$\varphi_k = \tan^{-1} \frac{X}{R} \quad (2.12)$$

Slika 2.6 prikazuje proces nastanka kratkog spoja daleko od generatora, struja kratkog spoja, kako je ranije prikazano, sastoji od izmjenične i aperiodeske opadajuće istosmjerne komponente. Iz postulata koji proizlazi iz proračuna zaključuje se:

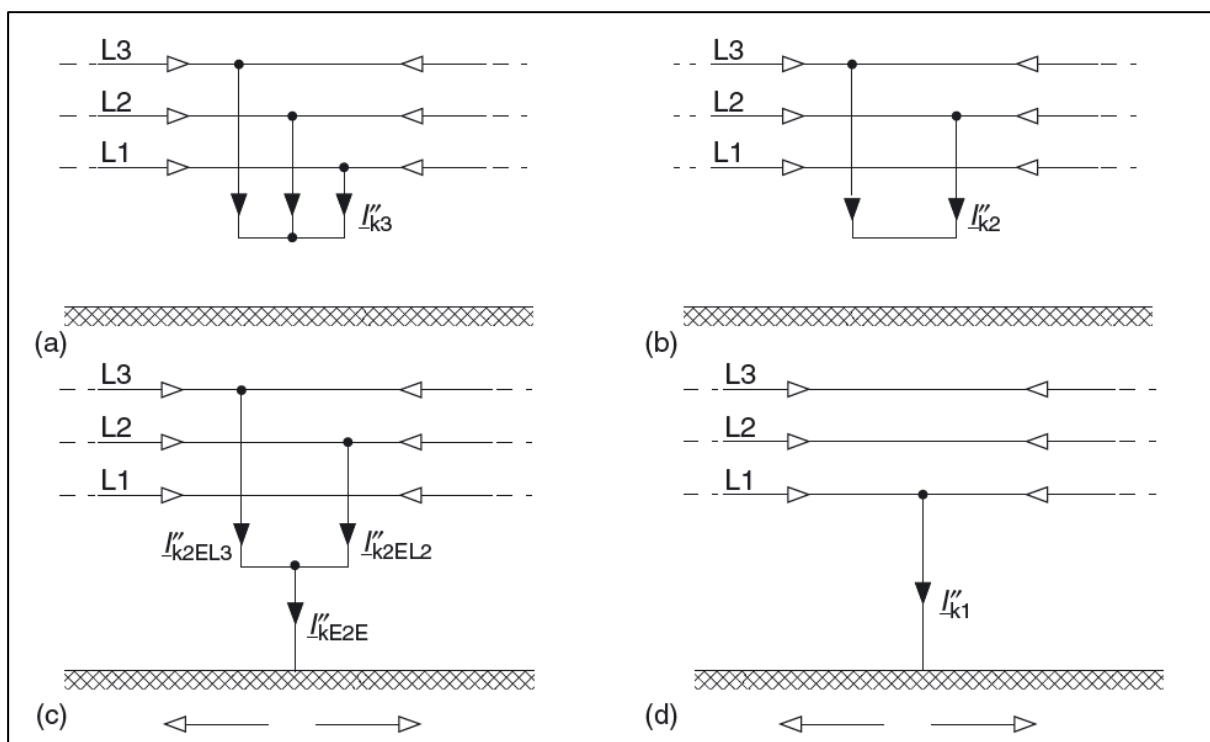
- Struja kratkog spoja uvijek sadrži aperiodsku istosmjernu komponentu koja za određeno vrijeme iščezne,
- Amplituda struje kratkog spoja ovisi o kutu tj. trenutku nastanka kratkog spoja, a dosegne maksimum kada je kut  $90^\circ$  (samo induktivnog karaktera),
- Pretežno je induktivnog karaktera,



**Slika 2.6:** Pojava nastanka kratkog spoja

Kod pojave simetričnog trofaznog kratkog spoja, vrijednost faznih napona na mjestu kvara je iznosa 0. Struje kvara se približno ravnomjerno rasporede po svakom faznom vodiču, uzimajući to u obzir dostatno je proračun vršiti prema direktnom sustavu komponenti. Pri pojavi dvofaznog kratkog spoja struja kvara je u pravilu manjeg iznosa nego kod trofaznog. Jednofazni kratki spoj statistički je najzastupljeniji u mreži dok se dvofazni kratki spoj sa zemljom u pravilu analizira samo sa kruto uzemljenom neutralnom točkom transformatora. Slika 2.6 [26] ilustrira vrste kratkih spojeva u mreži a u nastavku su navedeni matematički izrazi za proračun struja.

Za potrebe projektiranja mreža i postrojenja, tj. odabira opreme, uz nazivni linijski napon u izrazu za proračun struje trolnog kratkog spoja, dodaje se naponski faktor  $c$ , čiji iznos ovisi o naponskim nivou na kojemu se računa kratki spoj, te namjeni proračuna (minimalna ili maksimalna struja kvara). Vrijednost faktora  $c$  prema naponskim razinama dana je u tablici 2.1.



Slika 2.7: Vrste kvarova u mreži

- I) Trofazni kratki spoj-** (K3) Trofazni kratki spoj nastaje kratkim spajanjem svih triju faza te je jedini simetrični kratki spoj. Zbog toga je dovoljno promatrati samo jednu fazu odnosno direktnu impedanciju mreže za koju se početnu vrijednost struje kratkog spoja definira prema [26]:

$$I''_{k3} = \frac{c \cdot U_n}{\sqrt{3} \cdot Z_{k,d}} \quad (2.13)$$

Gdje je  $Z_{k,d}$  ukupna impedancija direktnog sustava od izvora do mjesta kvara.

- II) Dvofazni kratki spoj-** (K2) Dvopolni kratki spoj nastaje kratkim spajanjem dvije faze. U slučaju dodatnog spoja jedne faze sa zemljom, naziva se dvopolni kratki spoj sa zemljom (K2Z). To je nesimetrični kratki spoj čiju vrijednost određuje direktna i inverzna impedancija mreže. Tokom početne faze kratkog spoja, inverzna nadomjesna impedancija je približno jednaka direktnoj bez obzira je li slučaj kratkog spoju blizu ili daleko od generatora. Samo u stacionarnoj fazi kratkog spoja postoji razlika između direktne i inverzne nadomjesne impedancije i to u slučaju kratkog spoja blizu generatora. Za dvofazni kratki spoj početna struja kratkog spoja računa se prema izrazu [26]:

$$I''_{k2} = \frac{c \cdot U_n}{|Z_d + Z_i|} = \frac{c \cdot U_n}{2|Z_d|} = \frac{\sqrt{3}}{2} \cdot I''_{k3} \quad (2.14)$$

Za slučaj pojave dvofaznog kratkog spoja uz istovremeni spoj sa zemljom blizu generatora, direktna i inverzna vrijednost impedancija su približno jednakog iznosa dok nulta impedancija može biti veća od inverzne pa se prema [26] iznos početne struje kratkog spoja može računati kao:

$$I_{k2E}'' = \frac{c \cdot U_n}{|Z_d Z_i + Z_d Z_0 + Z_i Z_0|} \quad (2.15)$$

Za slučaj kratkog spoja daleko od generatora, direktna i inverzna impedancija su približno jednakog iznosa pa se početna struja računa prema [26]:

$$I_{k2E}'' = \frac{\sqrt{3} \cdot c \cdot U_n}{|Z_d + 2Z_0|} \quad (2.16)$$

**III) Jednofazni kratko spoj-** (K1) je kvar kod kojeg dolazi do spoja jednog faznog vodiča sa zemljom ili nulom ako se manifestira u niskonaponskoj mreži. Nužan uvjet za klasifikaciju jednopolnog kratkog spoja je postojanje radnog uzemljenja tj. povezanosti neutralne točke transformatora direktno ili preko malog otpora i/ili prigušnice prema zemlji. U protivnom ako je neutralna točka izolirana, jednopolni kratko spoj nazivamo zemljospoj. Ova vrsta kvara, bilo da se radi o jednopolnom kvaru ili zemljospoju, u srednjenaponskoj mreži najčešće se pojavljuje sa udjelom od 80 % u svim kvarovima. Za proračun jednopolnog kratkog spoja u obzir se uzima direktna, inverzna i nulta impedancija petlje kvara:

$$I_{k1}'' = \frac{\sqrt{3} \cdot c \cdot U_n}{Z_d + Z_i + Z_0} \quad (2.17)$$

**Tablica 2.1:** Vrijednosti naponskog faktora  $c$

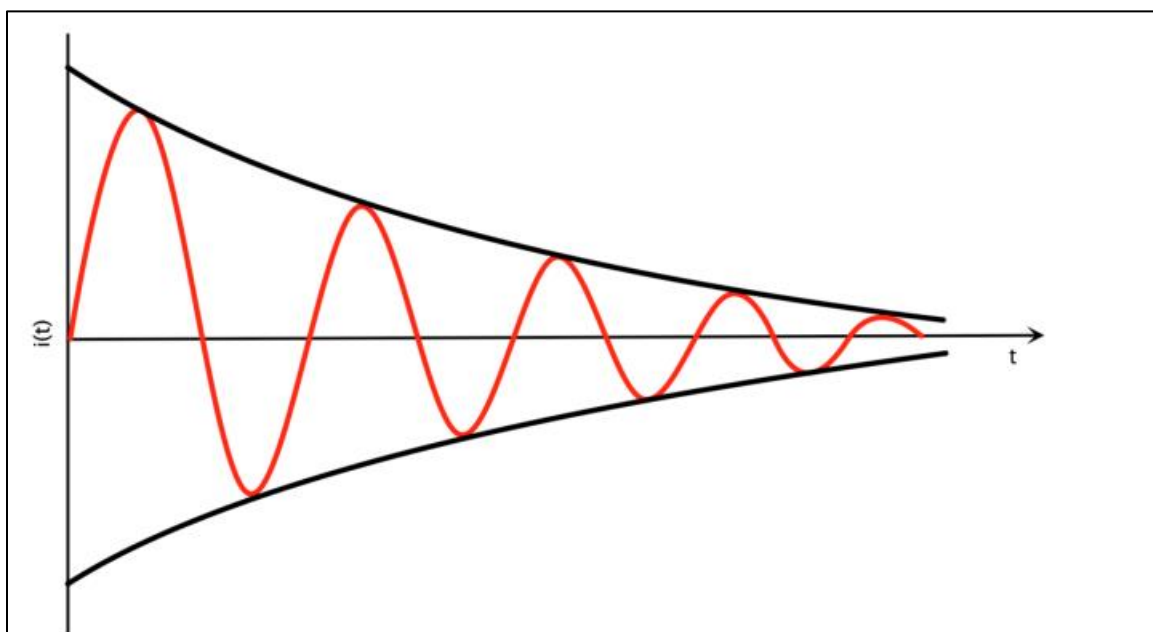
Nazivni napon $U_n$	Naponski faktor $c$	
	Maksimalna struja kratkog spoja ( $c_{max}$ ) <sup>a)</sup>	Minimalna struja kratkog spoja ( $c_{min}$ )
100-1000 V	1.05 <sup>b)</sup>	0.95 <sup>b)</sup>
	1.10 <sup>c)</sup>	0.9 <sup>c)</sup>
>1-35 kV	1.10	1.00

- a)  $c_{max} U_n$  ne smije preći  $U_m$  (maksimalna vrijednost napona opreme u sustavu).  
b) Za niskonaponske sustave sa tolerancijom napona od  $\pm 6\%$ , npr. U sustavima koji su prešli sa nazivnog napona 380 na 400 V.  
c) Za slučaj da ne postoji definicija nominalnog napona  $U_m$  tada vrijedi  $c_{max} U_n = U_m$  ili  $c_{min} U_n = 0.9 U_m$ .

## 2.3 Doprinos distribuiranih izvora struji kratkih spojeva

Kako je opisano u uvodu ovog poglavlja većina pogonskih strojeva OIE su sinkroni ili asinkroni generatori te izmjenjivači. Kako se razlikuju vrste, način i pogon proizvodnje iz OIE tako i zavisi njihov iznos doprinosa struji kratkog spoja u mreži. Sinkroni generatori se koriste kao pogonski stroj bioplinskih i geotermalnih elektrana dok se asinkroni koriste u vjetroagregatima. Kako je prikazano slikama 2.4 i 2.5 istosmjerna komponenta struje kratkog spoj najveća je u vremenu nastanka te s vremenom iščezne u ovisnosti o visini vremenske konstante  $\tau_g$  iz jednadžbe 2.3. Prema [27], sama karakteristika struja kratkih spojeva sinkronih generatora definirana je trima reaktancijama: subtranzijentna  $X''$ , tranzijentna  $X_d''$  i sinkrona  $X'$ . Subtranzijentna reaktancija se koristi za proračun struje u vremenu prvih nekoliko ciklusa od pojave kratkog spoja, obično  $\sim 0.1$  s. Tranzijentna reaktancija se koristi za proračun struja kratkog spoja nakon prestanka subtranzijentnog perioda u trajanju od 0.5-2 s i konačno sinkrona reaktancija nakon toga u periodu tzv. stacionarnog stanja.

Doprinos struji kratkog spoja asinkronih generatora je podosta visok u trenutku nastanka sa tendencijom brzog smanjenja za vrijeme trajanja kvara. Smanjenje se dostiže pojavom stacionarnog stanja kada doprinos struji kratkog spoja asinkronog generatora iznosi nula. Razlog tome jest što generator koristi metodu samouzbuđe gubeći magnetski tok bez prisutnosti napona osim ako koristi baterijski sustav uzbude u kojem se slučaju ponaša isto kao i sinkroni generator u ovisnosti o veličini pogonskog stroja tj. konstanti inercije, što veći stroj to će duže održavati struju doprinosa kvaru. Slika 2.8 prikazuje karakteristiku asinkronog generatora na njegovim stezaljkama prilikom kratkog spoja preuzeto iz [26].



### Slika 2.8: Karakteristika struje kratkog spoja asinkronog generatora

Najmanji relativan doprinos u odnosu na instaliranu snagu imaju OIE bazirani na pretvorbi istosmjernog u izmjenični napon pomoću izmjenjivača korišteni pretežno u sunčanim i vjetro elektranama. Dinamički odaziv i karakteristika izmjenjivača na pojavu kratkog spoja nije isti kao kod rotacijskih strojeva iz razloga što nemaju akumuliranu kinetičku energiju rotora generatora i pogonskog stroja. Dinamički model opisuju vremenske konstante samog elektroničkog sklopa tj. njegovih komponenti i vrsti spoja zajedno sa činjenicom da upravljanjem nad tim sklopovima vrši računalo sa programiranim algoritmima, zaštitama i odazivu na različite ulazne i mjerene parametre. Doprinos se može nazvati i ograničenim iz razloga što sama izvedba izmjenjivača te projektirani i izvedeni sustavi sunčanih panela i vjetro agregata nemaju fizikalnu mogućnost generiranja višestrukih vrijednosti struja od nominalne jer sustav za proizvodnju istosmjernog napona tj. izvor za pretvorbu u izmjeničnu je također ograničen na nešto veću od nominalne ili nominalnu vrijednost [28]. Doprinos struji kratkog spoja kao takav, ako se gleda pojedinačno, može biti zanemariv, ali mora se uzeti u obzir na priključenje pojedinačnih modula energetske parkova velikih snaga na stranu srednjenaponske mreže. S druge strane, u mreži niskog napona ako se uzme jedan radijalni izvod sunčane elektrane jesu malih snaga, ali im je broj velik te tako mogu imati značajan utjecaj u doprinosu struji prilikom pojave kvara u mreži. Prema literaturi, OIE sa izmjenjivačem kao pogonskim strojem ne doprinosi struji kratkog spoja više od 120 % svoje nazivne snage. Zaključno u tablici 2.2 prikazane su kvalitativne vrijednosti doprinosa pogonskih strojeva OIE s obzirom na vrstu.

**Tablica 2.2:** Vrijednosti struja doprinosa po tipu pogonskog stroja OIE

Tip pogonskog stroja	Doprinos struji kratkog spoja u odnosu na nominalnu struju	
	Početna vrijednost	Stacionarno stanje
Izmjenjivač	$1-2 \times$ nazivna struja i ovisno o načinu modulacije	$1-1.2 \times$ nazivna struja
Sinkroni generator	$5-10 \times$ nazivna struja za subtranzijentni i tranzijentni period	$2-4 \times$ nazivna struja



Asinkroni generator sa samouzбудom ili neovisnom uzбудom	5-10 × nazivna struja za period od prvih nekoliko ciklusa	zanemarivo (2-4 × nazivna struja sa neovisnom uzбудom)
--	---	--

## 2.4 Električna zaštita u distribucijskom sustavu

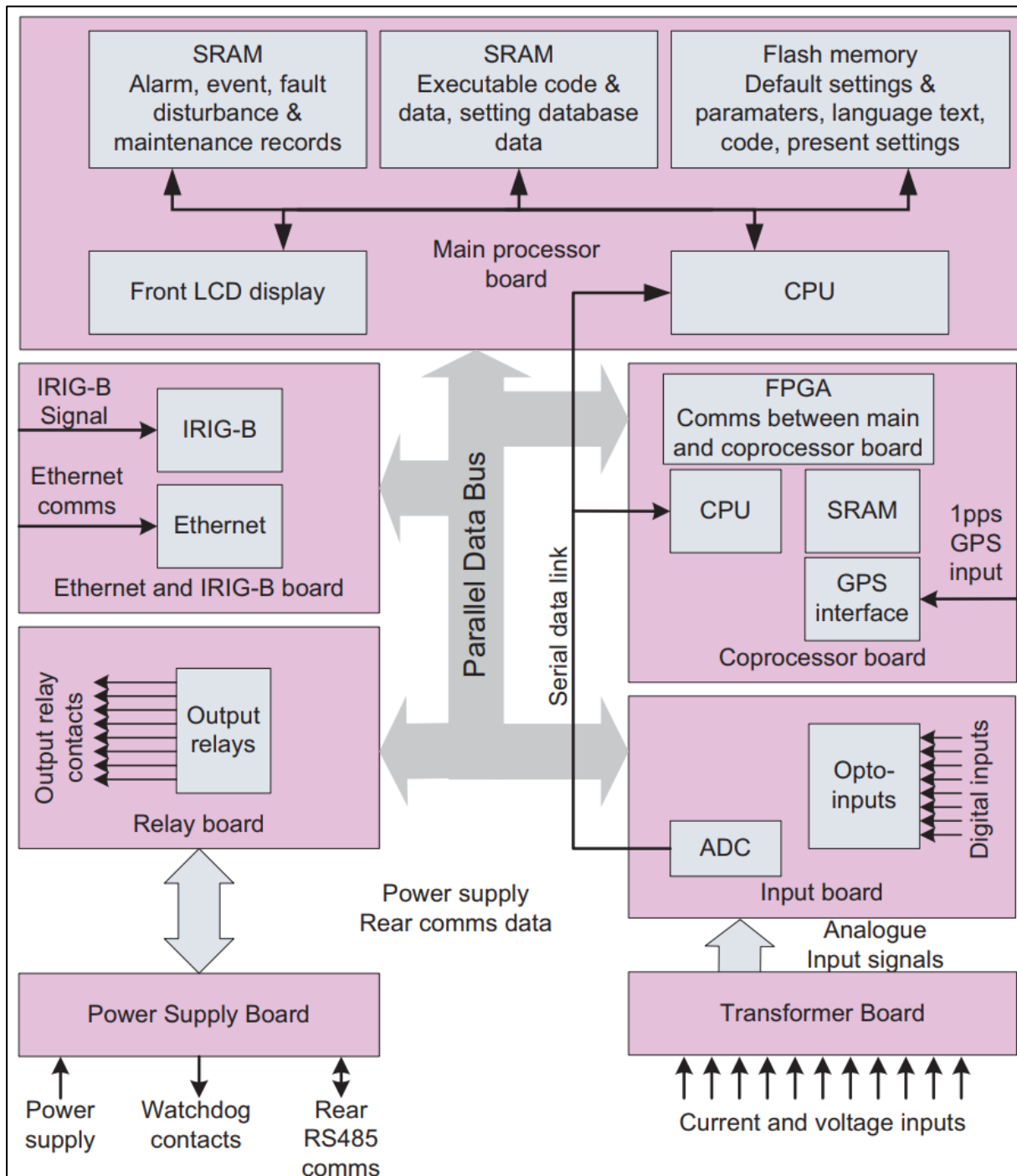
Električna zaštita u elektroenergetskom sustavu paralelno prati njegov razvoj kroz povijest kao jedan od nužnih sustava u obrani i šticeњу od kvarova od kojih se ističe nadstrujna zaštita kao jedna od prvorazvijanih. Veliki napredak i pouzdanost u električnoj zaštiti se postiže razvojem novih funkcija i primjenom tzv. zaštitnog releja. Relej nadzire određeni dio sustava u konfiguraciji sa sekundarnom opremom koja mu pruža mjerene veličine i prekidača pomoću kojeg izvršava isključenje. Daljnjim razvojem i različitim elementima i pogonskim stanjima mreže ukazuje se potreba za razvojem dodatnih funkcija osim nadstrujne zaštite pa su se razvijali zasebni releji po specifičnim funkcijama. Sukladno tehnologiji i povijesnom razvoju releja dijelimo ih na elektromehaničke, statičke, digitalne i numeričke.

Tehnička izvedba statičkih releja bazira se na mjerenju, djelovanju i isključenju preko analognih elektroničkih dijelova od kud i termin statički jer njihovi prethodnici su imali pomične mehaničke dijelove. Prve serije su koristile samo osnovne elektroničke elemente poput tranzistora i dioda, otpornika, kondenzatora i zavojnica. Daljnji razvoj uključivao je linearne i digitalne integrirane krugove u obradi mjerenih veličina i implementaciju logičkih funkcija. Integracija pojedinih zaštitnih funkcija u statičkim relejima podrazumijevala je zasebnu cjelinu sklopovlja i često, čisto radi ergonomije, u zasebnom kućištu što je činilo sekundarne ormare zaštite dosta robusnim. Korisničko sučelje tj. mogućnost promjene parametara i logičkog programiranja je jako ograničeno s obzirom na izvedbu logičkog i mjernog sklopovlja.

Pojava digitalnih releja predstavlja veliki iskorak u tehnologiji električne zaštite. Integracija mikroprocesora i mikrokontrolera zamijenila je korištenje analognih sklopova koji su se koristili u statičkim relejima. Prvi primjerci pojavili su se 1980. godine sa većim kapacitetom računanja kompleksnih logičkih i vremenskih funkcija. Za razliku od statičkih releja digitalni koriste pretvorbu mjerenih analognih veličina u digitalne omogućujući releju ulazne varijable za realizaciju složenijih algoritama zaštite. Metoda konverzije analognih vrijednosti u digitalne vrši se upotrebom diskretne Fourier-ove transformacije. U digitalnim relejima koristili su se 8 i 16-bitni mikroprocesori sa limitiranom razinom memorije.

Numerički releji predstavljaju zadnju generaciju tehnologije električne zaštite koja se i dalje razvija. Razvojem sve jačih procesora i jače memorije ova vrsta releja predstavlja nastavak

evolucije digitalnih releja. Numerički releji koriste jedan ili više sve modernijih procesora za optimalnu analizu i pretvorbu analognih mjerenih veličina iz elektroenergetskog sustava u stvarnom vremenu i velikoj razlučivosti dajući mogućnost procesorskoj jedinici za brzu i efikasnu realizaciju matematičkih, logičkih funkcija, a sve to integrirano u zaštitne i upravljačke algoritme. Bitno za napomenuti je da razvojem numeričkih releja sama oprema poprima male mjere veličine što predstavlja lakšu ugradnju i korištenje manje energije za napajanje sustava. Slika 2.10. prikazuje tipičnu sklopovsku konfiguraciju numeričkih releja, preuzeto iz [29].

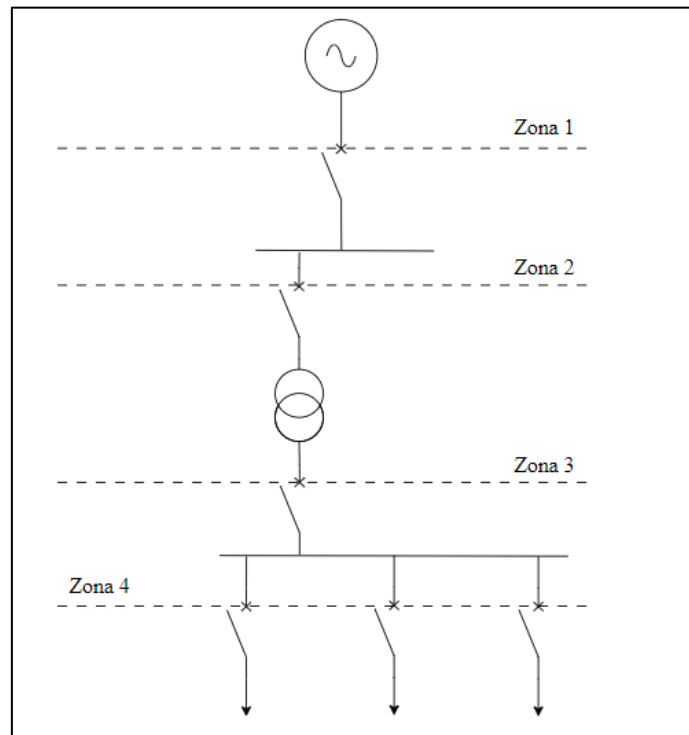


Slika 2.10: Sklopovska izvedba numeričkih releja

Osim zaštitnih funkcija, numerički releji imaju mogućnost prikaza i daljinskog slanja mjerenih i proračunatih električnih veličina. Točnost mjerenih veličina ovisi o samoj točnosti mjernih transformatora i analogno-digitalnih pretvornika. Dostupna je i funkcionalnost nadzora samih mjernih transformatora. Gubitak mjerenja napona predstavlja veliki problem numeričkim relejima iz razloga što sve naprednije metode zaštite koriste matematičke relacije između napona i struja. Za funkciju nadzora releji koriste zaseban algoritam koji eliminira odluku o kvaru na naponskim mjernim transformatorima od stanja prilikom kvara u mreži kao što je nulta vrijednost faznog napona prilikom zemljospoja itd. Nadzor strujnih transformatora predstavlja nešto jednostavniji princip. Algoritam računa negativnu sekvencu struje koja se ne poklapa sa očekivanom vrijednosti prilikom kvarova i ne odgovara negativnoj sekvenci napona. Danas je nezamislivo imati elektroenergetska postrojenja bez mogućnosti daljinskog nadzora i upravljanja. Numerički releji su integrirani u sustav daljinskog vođenja preko komunikacijskih protokola u SCADA sustav (SCADA eng. akronim Supervisory Control and Data Acquisition) što operateru omogućuje upravljanje i nadzor sklopnih aparata i prekidača. Bitno za naglasiti je da je prekidač izvršni element na koji relej djeluje tj. element kojim relej prekida kvar. Relej također nadzire stanje prekidača mjereći vrijeme njegova odziva, efikasnost prekidanja struja kvarova i sami broj prorada po čijim vrijednostima se definira nužno održavanje prekidača da ne zataji kad je najpotrebnije ili svojom logikom djeluje na nadređeni prekidač u slučaju da isti zataji. Prilikom isključenja kvara relej ima integriranu opciju memoriranja oscilografskih mjerenja u trajanju od nekoliko ciklusa prije, za vrijeme i poslije pojave kvara. Oscilografska mjerenja služe za analize kvarova u mreži i samu provjeru ispravnosti djelovanja, parametara i isključenja numeričkih releja. Ova vrsta mjerenja se trajno sprema u zasebnu memoriju u releju do njezinog skidanja i analize na posebnom računalu. Sve mjerene veličine i povezani događaji moraju biti vremenski sinkronizirani. Vremenska sinkronizacija vrši se putem komunikacijskog protokola čiji je izvor sam SCADA sustav i definiran je međunarodnim standardom IEEE 1588. Mikroprocesorska tehnologija omogućava korištenje i raznih programabilnih logičkih funkcija kao što su funkcija APU-a (automatski ponovni uklop), automatskog preklapanja dijela mreže ili automatska regulacija napona, funkcija blokade pojedinih stupnjeva zaštita itd.

Svaki od dediceranih releja mjereći određenu električnu veličinu ne može štititi od svih vrsta kvarova koji se mogu pojaviti u mreži. Do načina da se štiti od više vrsta kvarova došlo se razvojem digitalnih i numeričkih releja koji sadrže više zaštitnih funkcija i mogu mjeriti i računati ostale fizikalne veličine koje njihovi prethodnici nisu bili u mogućnosti. Osim opisanih tehnoloških mogućnosti, zaštita u elektroenergetskom sustavu mora imati i više strategija djelovanja. Jedna od najbitnijih je sama koordinacija zaštita. Da bi se provela adekvatna

koordinacija potrebno je provesti analizu dijela elektroenergetske mreže gdje se predviđa zahvat integracije i parametriranja električne zaštite. Analiza uključuje poznavanje jednopolne sheme i električnih elemenata napajanja, očekivane maksimalne i minimalne pogonske i struje kvarova, potezne struje velikih motora, struje magnetiziranja mrežnih transformatora i sl. Za isključenja mreže izolirajući kvar, primjenjuje se metoda štice prema zonama kako je prikazano na slici 2.10. Nužno je da postoji preklapanje zona tj. da svaka zona pokrije svoj dio i van definirane zone štice radi postizanja sustava rezervne zaštite slika 2.11 [29].



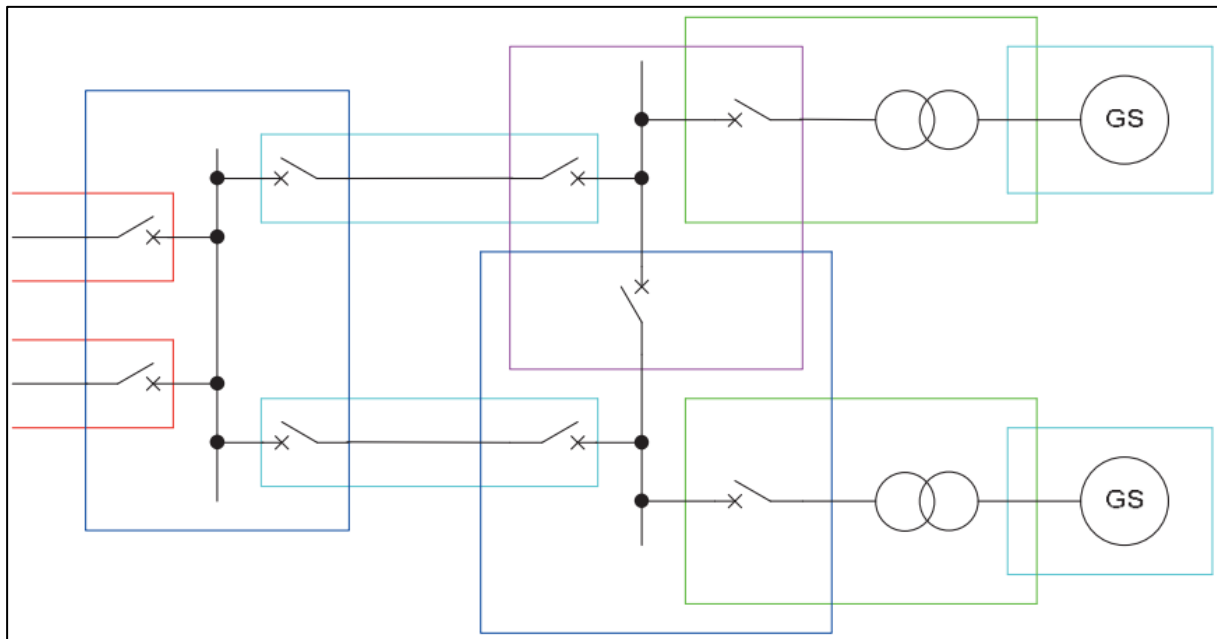
**Slika 2.10:** Strategija zaštite po zonama

Najjednostavnija koordinacija zaštita prema zonama vrši se prema strujnom, vremenskom ili kombiniranom stupnjevanju. Svrha koordinacije je tzv. svojstvo selektivnosti odnosno izolacija samo kvarnog dijela ili elementa bez bespotrebnog isključenja većeg segmenta mreže koji ostaje i dalje pod naponom. Princip vremenske koordinacije prikazan je na slici 2.10 gdje svaka, počevši od zone 4, od pojedinih zona ima dodano vrijeme djelovanja za sigurnu diskriminaciju. Minimalno dodano vrijeme uzima se kao suma vremena detekcije i aktivacije pojedine zaštitne funkcije releja sa vremenom djelovanja prekidača. U modernim relejima za sigurnu diskriminaciju minimalno vrijeme iznosi 100-120 ms tako da svaka sljedeća zaštita u zonama ima svoj parametar vremenske odgode djelovanja dodano za tu vrijednost.

Drugi način diskriminacije je po vrijednosti struje djelovanja zaštite. Ovaj način diskriminacije koristi svojstvo promjene (smanjenja) struje kvara po mjestu nastanka kvara. Utjecaj poprečne impedancije mreže i njezinih elemenata obično doprinosi smanjenju struja

kvarova ako je mjesto kvara dalje od izvora napona u smjeru napajanja stvarajući određene zone djelovanja zaštita kako je prikazano slikom 2.11 [29].

Oba principa imaju mane, diskriminacija samo po vremenu doprinosi tome da na mjestu kvarova sa najvećom strujom sam kvar najduže i traje što može dovesti do ozbiljnog oštećenja opreme i sigurnosnog rizika. S druge strane diskriminacija samo po struji mora imati točne podatke o iznosima struja za svaku od vrsta kvarova koji se mogu mijenjati samom impedancijom nastanka kvara. Za zaključiti je da najbolja koordinacija zaštita kombinira u isto vrijeme strujnu i vremensku diskriminaciju pružajući svojstvo selektivnosti i rezerve.



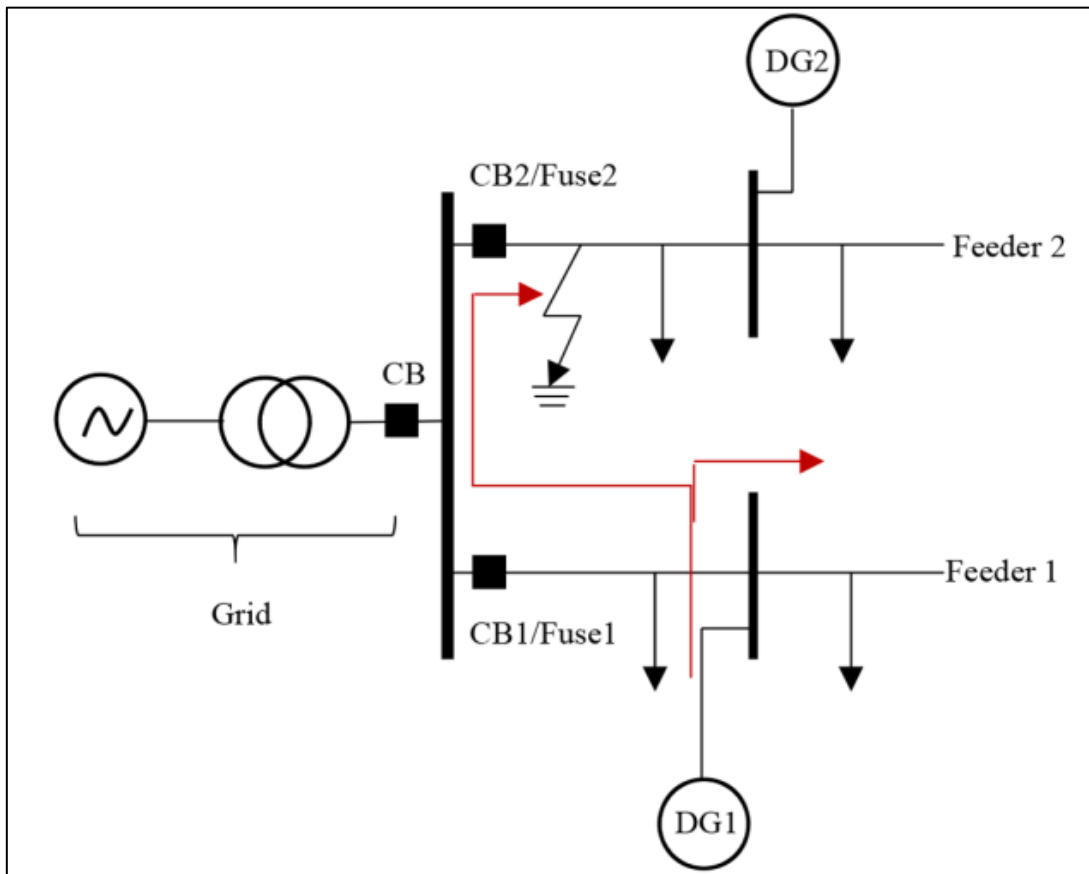
Slika 2.11: Zona šticeanja s funkcijom rezervna zaštite

## 2.5 Utjecaj distribuirane proizvodnje na zaštitu u elektroenergetskom sustavu

Kako je opisano u prethodnom poglavlju, bilo kakav utjecaj na promjenu struja kvarova u mreži utječe i na selektivnost postojećih releja i njihovih konfiguracija. U konvencionalnom distribucijskom sustavu do sada je uvijek bio jedan smjer toka energije od točke napajanja prema potrošačima. Integracija OIE, ovisno o njihovoj veličini, utječe tj. mijenja koncepciju konzervativnog toka u distribucijskoj mreži [30].

Jedan od utjecaja na postojeću zaštitu je poticanje tzv. krivog ili neselektivnog isključenja u kojem slučaju relej u sustavu djeluje isključenjem. Kao primjer neselektivno isključenje se može pojaviti na zdravom odvodu na kojem nema kvara prikazano slikom 2.12. originalno u [4]. Kvar se pojavljuje na odvodu 2 dok struja doprinosi distribuiranog izvora 1 (DG1) stvori preduvjete za neselektivnu proradu prekidača CB1. Prije integracije DG1 konfiguracija zaštite

nije uzimala u obzir dvostruki smjer struja jer je napajala samo potrošače. Osim klasičnih trafostanica i zaštita, danas se u mreži intenzivno ugrađuju tzv. „recloseri“ (RC). „Recloseri“ su prekidači sa upravljačkom automatikom koji se prvenstveno ugrađuju na dalekovode te imaju funkcije daljinskog vođenja, zaštite i funkcionalnosti APU-a. Na njih je utjecaj OIE još izraženiji iz razloga što se nalaze bliže distribuiranim izvorima i njihova struja doprinosa je veća. Neselektivno potaknuto isključenje na RC dodatno potiče aktivaciju APU-a što utječe na kvalitetu napajanja dodajući veći broj prekida napona u mreži.



**Slika 2.12:** Zaštita i distribuirani izvori sa dva susjedna vodna polja

Nedozvoljeni otočni ili izolirani pogon je drugi primjer utjecaja OIE na sustav zaštite. Pojava kvara i isključenje u konvencionalnoj distribucijskoj mreži nije predstavljalo problem iz razloga što odvojeni dio mreže nije bio pod naponom. S druge strane u današnjim distribucijskim mrežama sa velikim udjelom OIE to više nije slučaj. Integrirana zaštita po dubini mreže nema mogućnost djelovanja u slučaju da njezin dio ostane napajan u otočnom stanju. Glavni razlog nedjelovanja očituje se u veličini struje kvara koja je znatno smanjena bez galvanske veze sa aktivnom mrežom. U slučaju pojave kratkog spoja na izoliranom dijelu razina struja kvarova nije dostatna za aktivaciju isključenja. Ovakva pojava, osim oštećenja opreme dovodi i do ugroze djelatnika i korisnika mreže od električnog udara [31]. Prema mrežnim pravilima distribucijskog sustava otočni rad nije dozvoljen [32].

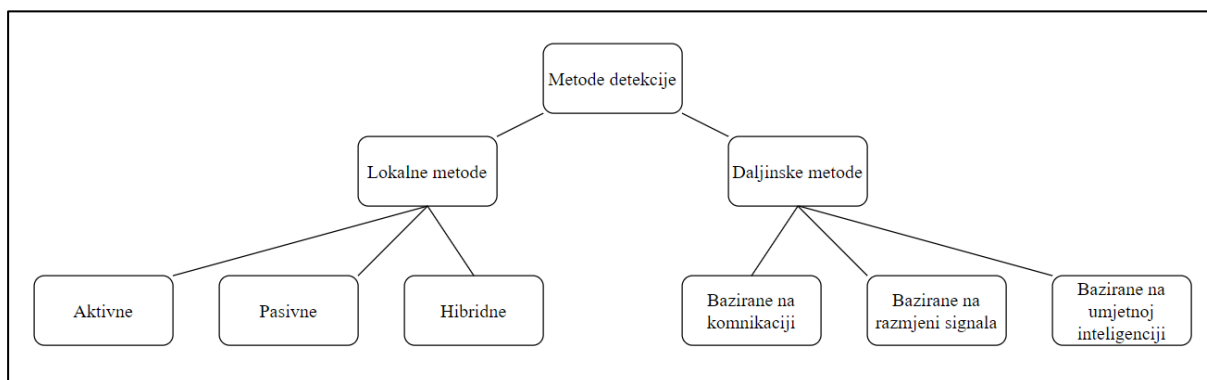
# Poglavlje 3

## Zaštita od otočnog pogona

Kako je navedeno već u uvodu, distribuirana proizvodnja proizvodi električnu energiju bliže potrošnji tj. integrirana je u sustav distribucijske mreže što odstupa od tradicionalne i jednosmjerne konfiguracije mreže proizvodnja-prijenos-distribucija-potrošnja. Statistički gledano većina OIE je relativno male snage no ipak zajedno sa, prema njima manjim brojem, većih izvora priključenih u sredjenaponskoj mreži polako mijenjaju smjer toka električne energije i na sučelju sa prijenosnom mrežom. Prednost distribuirane proizvodnje dakako se očituje u smanjenju gubitaka i emisija CO<sub>2</sub> no zahtjeva i promjene u samoj paradigmi poimanja distribucijske mreže. Kako je opisano u prethodnom poglavlju, povećanjem broja integriranih OIE u elektroenergetski sustav mijenjaju se zahtjevi najviše na sustav zaštite pogotovo na zaštitu od otočnog pogona i samu stabilnost sustava jer smanjenjem velikih konvencionalnih elektrana i priključenjem distribuiranih izvora, čiju glavninu čine solarne elektrane, smanjuje se inercija sustava. Relativno noviji zahtjev pri priključenju većih OIE, koji ne ulazi u definiciju pomoćne usluge sustavu nego je obavezan (granica je na instaliranoj snazi većoj od 500 kW), je aktivna podrška prolaska kroz kvar koji ne rezultira otočnim pogonom, održavanje stabilnih granica napona na sučelju elektrane i mreže i aktivna regulacija radne komponente snage prilikom poremećaja frekvencije.

### 3.1 Metode detekcije otočnog pogona i definicija zone neosjetljivosti

Odabir adekvatne metode zaštite od otočnog pogona i dalje predstavlja određeni izazov s obzirom na konstantnu promjenu zahtjeva, konfiguracije mreže i tehnologije u elektroenergetskom sustavu. Metode detekcije i djelovanja zaštite od otočnog pogona u osnovi dijelimo na dvije glavne cjeline - lokalne i daljinske. Lokalne metode se dalje dijele na aktivne pasivne i hibridne metode. Dok se daljinske dijele na komunikacijske, signalne i metode bazirane na umjetnoj inteligenciji. Osnovna shema postojećih metoda detekcije otočnog pogona je prikazana slikom 3.1.



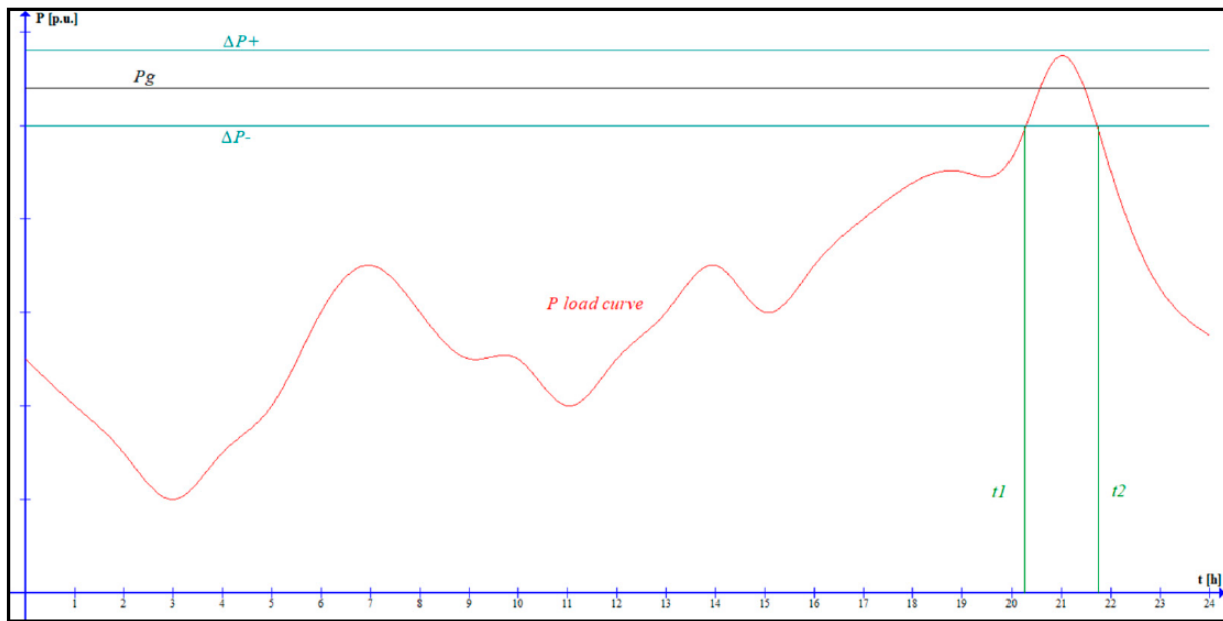
**Slika 3.1:** podjela metoda detekcija otočnog pogona

Uspješnost bilo koje metode detekcije otočnog pogona kvalificira se s vrijednosti veličine zone neosjetljivosti. Zona neosjetljivosti (eng. akronim NDZ-*Non Detection Zone*) za svaku od predstavljenih metoda matematički je vezana na parametre pomoću kojih se detektira otočni pogon odnosno one parametre pri kojima je metoda nedostatna. Kao primjer navedena je slika 3.2 na kojoj je predstavljena krivulja radne snage osnovnog vodnog polja koje napaja distribuirani izvor konstantne izlazne snage u periodu od jednog dana (24 h). Prikazani primjer definira ovisnost uspješnosti detekcije otočnog pogona metodama brzine promjene frekvencije (eng. akronim ROCOF-*Rate of Change of Frequency*) ili pomaka vektora napona (eng. akronim VS- *Vector Shift*) koje su ovisne o diferencijalu izlazne snage distribuiranog izvora kojeg štite i radnom teretu u mreži. Zona neosjetljivosti ROCOF i VS zaštita je definirana kroz minimum pozitivnog ili negativnog diferencijala radne snage potreban za detekciju otočnog pogona čija ovisnost će biti detaljno formulirana u daljnjim poglavljima tj. u ovom slučaju kao geometrijska vjerojatnost definirana izrazom 3.1. Razlog odabira ROCOF i VS metoda detekcija leži u njihovom značaju za razvoj poboljšanih i novih algoritama dalje u radu. Na grafu sa slike 3.2  $\Delta P+$  i  $\Delta P-$  marker pravci predstavljaju minimalan uvjet uspješne detekcije ROCOF i VS metoda sa postavljenim parametrima od 1Hz/s i pomaku od  $4^\circ$  po bazi distribuirane proizvodnje od 1 MW.

$$p_{NDZ} = \frac{t_2 - t_1}{t_{period}} 100\% \quad (3.1)$$

Krivulja opterećenja siječe  $\Delta P+$  i  $\Delta P-$  pravce između 20:15 ( $t_1$ ) i 21:45 ( $t_2$ ) sati. Ukupni period promatranja krivulje je 24 h što u izrazu 3.1 predstavlja  $t_{period}$ . Koristeći izraz 3.1 dolazimo do rezultata tj. vrijednosti vjerojatnosti ne detekcije otočnog pogona od 6.25 %. U ovom slučaju zona neosjetljivosti je prikazana kao vrijednost vjerojatnosti za metode iz primjera [33]. Za napomenuti je da se NDZ može računati za bilo koju točku u mreži čijim isključenjem ili odvajanjem od aktivne mreže postoji mogućnost pojave otočnog pogona.





Slika 3.2: Krivulja radne snage sa presjekom zone neosjetljivosti

## 3.2 Lokalne metode detekcije

Lokalne metode detekcije koriste električne parametre u samoj elektrani ili na sučelju s mrežom od koji se najčešće koriste mjerenje napona, struje, frekvencije, radne i jalove snage, kut napona, THD i sl. Korištenje lokalnih mjerenja bez utjecaja na njihove promjene koriste pasivne metode detekcije dok s druge strane aktivne metode serazlikuju od pasivnih po tome što dodatno stvaraju umjetnu injekciju signala za razlikovanje otočnog od poremećenog pogona [34].

### 3.2.1 Pasivne metode detekcije

Pasivne metode detekcije očituju se kao vrlo brzo djelujuća zaštita od otočnog pogona no i vrlo nesigurne i često nedjelotvorne u smislu krivih i neselektivnih prorada uzrokovanih fluktuacijama mjerenih veličina uzrokovanih kvarovima koji ne rezultiraju pojavom otočnog pogona [35]. Njihova zona neosjetljivosti je podosta velika što rezultira manjom pouzdanošću samih metoda detekcije [36].

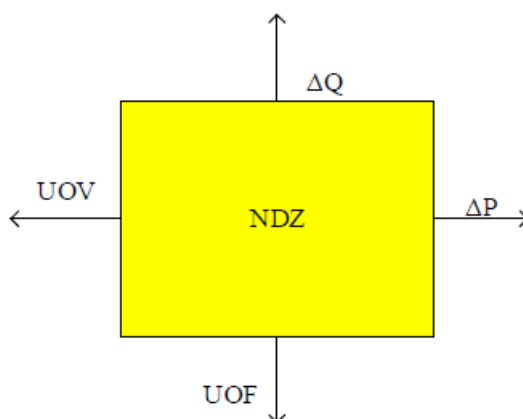
- I) Pod/Nad naponska i Pod/Nad frekventna zaštita-** Ova metoda služi kao osnovna zaštita za odvajanje i detekciju otočnog pogona gdje se vremenskom selektivnošću realizira i u postrojenju distribuiranog izvora i u postrojenju u nadležnosti operatora distribucijskog sustava. Djeluje isključenjem OIE od mreže kada mjerene veličine pređu iznad ili padnu ispod postavljenih parametara. Parametri za kvantifikaciju zone neosjetljivosti ovih metoda su diferencijali radne i jalove

snage na mjestu nastanka otočnog pogona. Relacije koje definiraju  $\Delta P$  i  $\Delta Q$  dane su u izrazima 3.2 i 3.3.

$$\left(\frac{V}{V_{max}}\right)^2 - 1 \leq \frac{\Delta P}{P_{DG}} \leq \left(\frac{V}{V_{min}}\right)^2 - 1 \quad (3.2)$$

$$Q_f \left(1 - \left(\frac{f}{f_{min}}\right)^2\right) \leq \frac{\Delta Q}{P_{DG}} \leq Q_f \left(1 - \left(\frac{f}{f_{max}}\right)^2\right) \quad (3.3)$$

Gdje su  $V_{max}$ ,  $V_{min}$ ,  $f_{max}$  i  $f_{min}$  parametri pod/nad naponskih i frekventnih zaštita. Prelaskom ili padom zadanih parametara i djelovanjem zaštita pretpostavlja se djelovanje zaštite od otočnog pogona. Način definiranja zone neosjetljivosti prikazano je slikom 3.3 [37].



**Slika 3.3:** Zona neosjetljivosti za pod/nad naponsku i frekventnu zaštitu

- II) Metoda detekcije brzine pomaka frekvencije (ROCOF)-** Releji sa ugrađenom ROCOF zaštitnom funkcijom računa se gradijent promjene frekvencije po parametru zadanog perioda promatranja tj. detekcije. Parametar broja perioda se odnosi na puni ciklus izmjeničnog napona u ovisnosti je li mrežni sustav 50 ili 60 Hz. Neke od metoda koriste proračun frekvencije prolaskom napona kroz nulu ili proračun putem diskretne Fourierove transformacije [24]. Kao i sve pasivne metode ova ima tendenciju krivih i neselektivnih prorada za različite kvarove i poremećaje koji ne rezultiraju pojavom otočnog pogona. Mjerene ulazne veličine moraju proći kroz razne digitalne filtere da se otklone visoko frekventne smetnje prije samog računanja brzine promjene frekvencije. U slučaju da je izmjerena vrijednost veća od postavljenog parametra algoritam donosi odluku i isključuje distribuirani izvor sa mreže. Matematička zavisnost o iznosu diferencijala radne snage je formulirana klasičnom jednačinom njihanja generatora kroz izraze 3.4 i 3.5.

$$\frac{df}{dt} = \frac{1}{2\pi} \frac{d\omega}{dt} = \frac{f_0}{2H} \Delta P \quad (3.4)$$

Uvrštavanjem eprijenosne funkcije  $1/(Tas+1)$  u izraz 4.4 gdje je  $s$  diferencijalni operator i  $T_a$  vremenska konstanta dobiva se izraz 3.5.

$$\frac{df}{dt} = \frac{\Delta P f_0}{2H} \left(1 - e^{-\frac{t}{T_a}}\right) \quad (3.5)$$

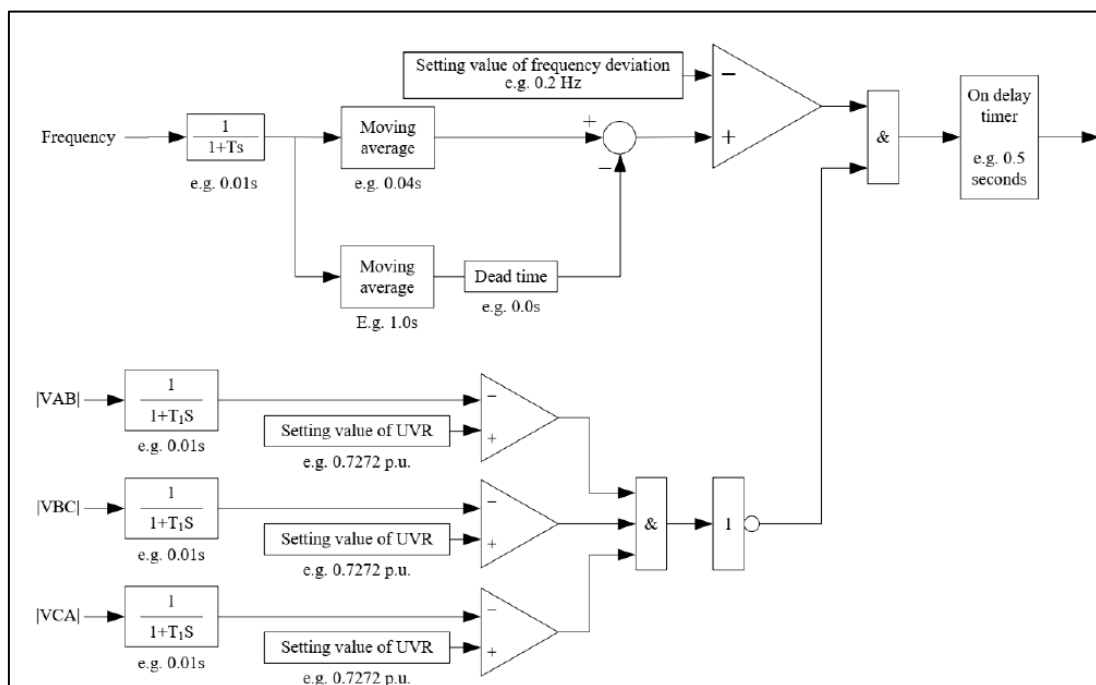
Izraz 3.5 daje direktnu korelaciju između brzine promjene frekvencije u ovisnosti o diferencijalu radne snage [38].

Skoro svaki komercijalni relej koristi metodu mjerenja frekvencije mjerenjem vremena između sukcesivnih prolazaka napona kroz nulu i putem diskretne Fourier-ove transformacije, no neovisno o tome algoritam računa brzinu promjene frekvencije po izrazu 3.6 [39]

$$\frac{df}{dt} = \frac{f_n - f_{n-4}}{T_4} \quad (3.6)$$

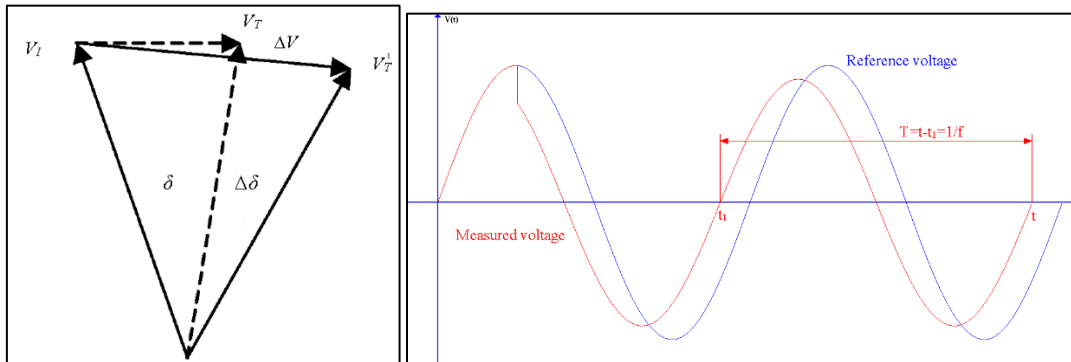
Gdje su  $f_n$  nazivna frekvencije mreže,  $f_{n-4}$  izmjerena frekvencija 4 perioda ranije i  $T_4$  ukupno vrijeme trajanja 4 puna ciklusa izmjene napona.

Na slici 3.4 je prikazan primjer kompletnog principa rada standardnog ROCOF algoritma preuzeto iz [40].



Slika 3.4: Primjer ROCOF algoritma

**III) Metoda detekcije pomaka vektora napona (VS)-** Pojavom otočnog pogona, ovisno o ekvilibrijumu radne snage, dolazi do pomaka kuta vektora  $\Delta\delta$  napona i amplitude  $\Delta V$  na stezaljkama distribuiranog izvora  $V_T$  uzrokovanog naglom promjenom impedancije mreže kako je prikazano na slici 3.5 gdje pojavom otočnog pogona distribuirani izvor napaja teret veći od njegove izlazne snage (da je teret manji promjena napona i kuta bi bili u suprotnu stranu).



**Slika 3.5:** Promjena kuta napona na stezaljkama distribuiranog izvora

Releji koji koriste metodu pomaka vektora napona, isto kao i prethodna metoda, mjere puni ciklus promjene napona metodom prolaska napona kroz nulu. Algoritam mjeri svaki ciklus i opetovano ga uspoređuje sa prethodnim. Zavisno o predznaku diferencijala radne snage pri pojavi otočnog pogona ovisi i predznak pomaka kuta napona, ako je teret veći od izlazne snage distribuiranog izvora kut se pomakne u lijevo dok u protivnom kada je teret manji, pomakne se u desno promatrajući os apscisu. Kao i kod ROCOF zaštite, vremenska promjena napona može se formulirati pomoću klasične jednadžbe njenja prikazano izrazima 3.7. i 3.8.

$$\frac{2H}{\omega_0} \frac{d\omega}{dt} = P_m - P_e = \Delta P \quad (3.7)$$

$$\frac{d\delta}{dt} = \omega - \omega_0 \quad (3.8)$$

U izrazu 3.7  $H$  je moment tromosti pogonskog stroja i generatora,  $\omega_0$  sinkrona kutna brzina vrtnje,  $P_m$  mehanički moment pogonskog stroja,  $P_e$  je izlazna snaga generatora i  $\Delta P$  je diferencijal snage na mjestu nastanka otočnog pogona. U dobiveno rješenje diferencijalne jednadžbe izraza 3.7 se uvrštava izraz 3.8 i dobije se izraz 3.9.

$$\delta = \frac{\omega_0 \Delta P}{4H} t^2 + \delta_0 \quad (3.9)$$

$$\Delta\delta = \delta - \delta_1 = \left(\frac{\omega_0\Delta P}{4H}t^2 + \delta_0\right) - \left(\frac{\omega_0\Delta P}{4H}t_1^2 + \delta_0\right) \quad (3.10)$$

$$\Delta\delta = \frac{\omega_0\Delta P}{4H}(2t - (t - t_1))(t - t_1) \quad (3.11)$$

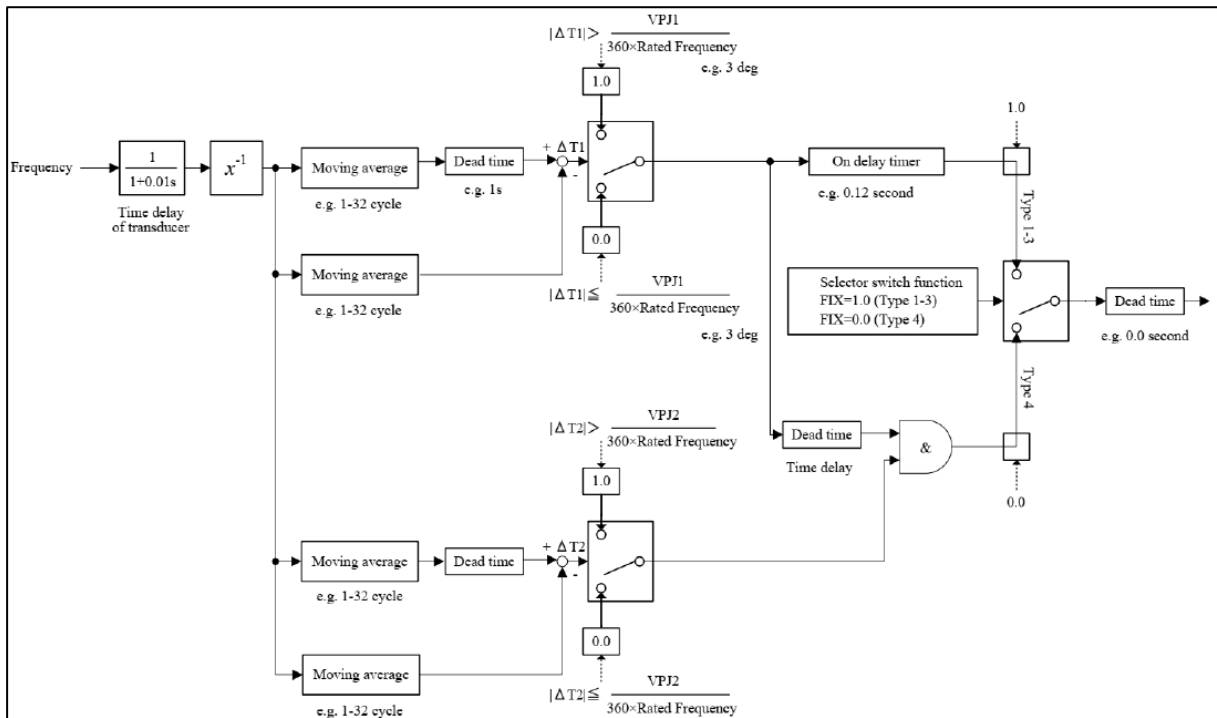
Uzimajući u obzir da je  $t-t_1$  vrijeme trajanja jednog ciklusa slijedi:

$$T = t - t_1 = \frac{1}{f} = \frac{2\pi}{\omega} = \frac{2\pi}{\frac{\omega_0\Delta P}{2H}t + \omega_0} \quad (3.12)$$

$$\Delta\delta = \frac{\omega_0\Delta P}{4H} \left(2t - \frac{2\pi}{\frac{\omega_0\Delta P}{2H}t + \omega_0}\right) \frac{2\pi}{\frac{\omega_0\Delta P}{2H}t + \omega_0} \quad (3.13)$$

Izraz 3.13 daje matematičku zavisnost promjene kuta o diferencijalu radne snage na dijelu mreže u otočnom pogonu [13].

Na slici 3.6 je prikazan primjer kompletnog principa rada standardnog VS algoritma preuzeto iz [40].



Slika 3.6: Primjer VS algoritma

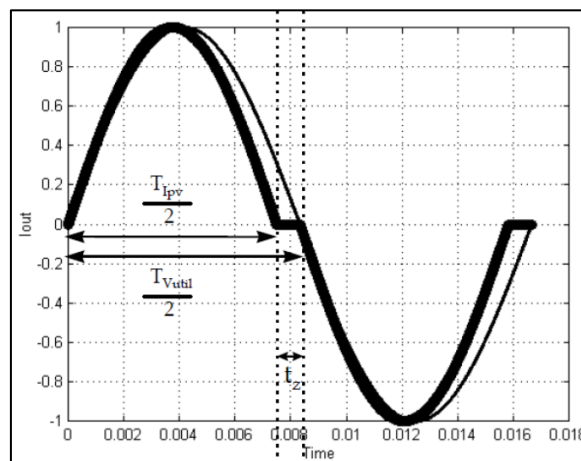
### 3.2.2 Aktivne metode detekcije

Aktivne metode detekcije koriste umjetno stvaranje oscilacija u mreži mjereći odziv električnih veličina u sustavu distribuirane proizvodnje [41]. Umjetno izazvane oscilacije utječu na promjenu veličina koje ulaze u klasifikaciju parametara kvalitete [42]. U usporedbi sa pasivnim metodama detekcije imaju relativno malu zonu neosjetljivosti. Amplituda umjetno izazvanih oscilacija obično ne prelazi vrijednost od 1 % nominalne snage distribuirane proizvodnje.

**I) Metoda aktivnog pomaka frekvencije-** Na solarnim izmjenjivačima prisilno stvorena smetnja na generiranoj struji doprinosi oscilaciji frekvencije, kao posljedica može doći do pogrešne prorade nadfrekventne zaštite u samom izmjenjivaču, odnosno pogrešne detekcije otočnog pogona. U ovom režimu rada izmjenjivač svakih pola ciklusa stvara kratkotrajni prekid-rez u izlaznoj struji tj. na stezaljkama izmjenjivača. Koeficijent funkcije reza može se prikazati izrazom 3.14 gdje su  $T_z$  vrijeme trajanja reza,  $T_{0/2}$  vrijeme trajanja poluperiode mrežnog napona.

$$cf = \frac{T_z}{T_{0/2}} \quad (3.14)$$

Ako izmjenjivač nije u otočnom pogonu tj. i dalje je priključen na mrežu, utjecaj rezanja izlazne struje ne utječe na promjenu frekvencije, koju čvrsto diktira aktivna mreža na stezaljkama izmjenjivača. U slučaju pojave otočnog pogona promjena u injekciji struje postepeno stvara efekt klizanja frekvencije do razine podešenja zaštite od otočnog pogona integrirane u izmjenjivaču. Ova metoda je primjenjiva u onom djelu mreže gdje u otočnom radu prevladava impedancija potrošnje sa većom radnom komponentom [43]. Slika 3.7 [45] prikazuje valni oblik struje korišten za metodu aktivnog pomaka frekvencije.

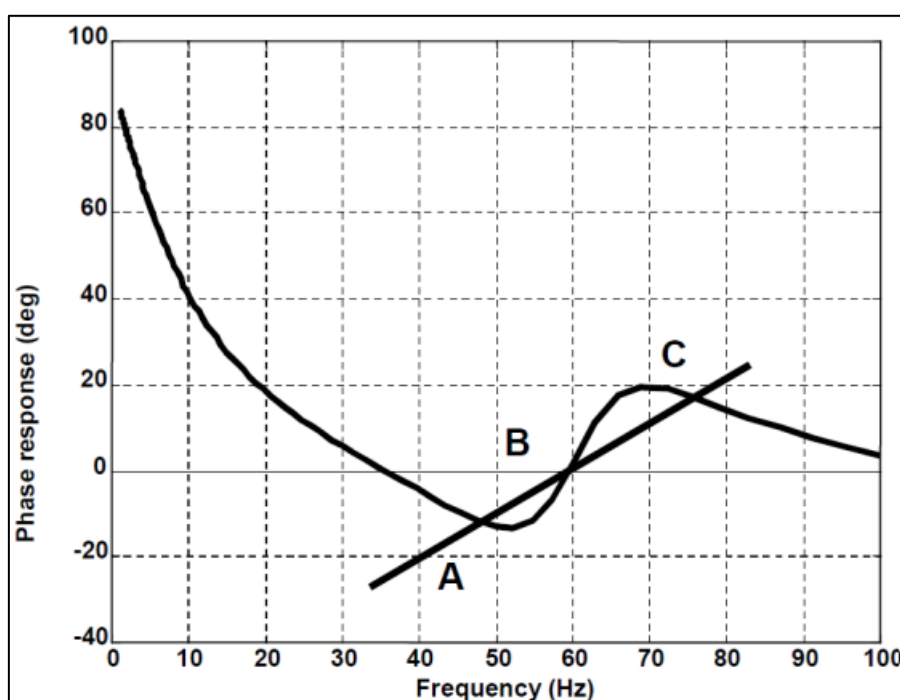


Slika 3.7: Valni oblik izlazne struje izmjenjivača

**II) Metoda kliznog pomaka frekvencije-** Ova metoda detekcije otočnog pogona koristi povratnu spregu promjene frekvencije utjecajem na promjenu kuta između napona i struje. Funkcija zavisnosti kuta i frekvencije je prikazana izrazom 3.15 [44].

$$\theta_{di} = \theta_m \sin\left(\frac{\pi f - f_g}{2f_m}\right) \quad (3.15)$$

$\theta_{di}$  je kut između napona i struje na stezaljkama distribuiranog izvora,  $\theta_m$  je maksimalno dozvoljen kut pri maksimalnoj vrijednosti frekvencije  $f_m$  i  $f_g$  nominalna frekvencija. Prikazano slikom 3.8 [45] u slučaju pojave otočnog pogona fazno-frekvencijska radna točka izlazi van sjecišta (točka A i C) uslijed čega dolazi do aktivacije pod/nad frekventne zaštite i isključenja s mreže.



**Slika 3.8:** Ovisnost frekvencije o promjeni kuta izlaznog napona i struje

**III) Sandia frekvencijski pomak-** Slično kao i kod metode aktivnog pomaka frekvencije, Sandia metoda se bazira na frekvencijskom pomaku napona periodičkim uskraćivanjem struje izvora. Za definiciju postupka metode definiramo parametar  $cf$  u izrazu 3.16.

$$cf = cf_0 + K(f_0 - f_{line}) \quad (3.16)$$

$cf_0$  je iznos parametra kada ne postoji frekvencijsko odstupanje tj. ne postoji otočni pogon,  $K$  je faktor ubrzanja,  $f_a$  je mjerena vrijednost frekvencije u izmjenjivaču i  $f_{line}$  je frekvencija mreže. Pojavom otočnog pogona raste vrijednost  $f_a$  odnosno dolazi do odstupanja od nominalne frekvencije mreže s čime raste i vrijednost  $cf$  parametra.

**IV) Sandia naponski pomak-** Za razliku od prethodne metode, ova metoda koristi pozitivnu povratnu vezu na odaziv napona izmjenjivača. U slučaju smanjenja amplitude mjerenog napona izmjenjivač smanjuje izlaznu struju tj. izlaznu snagu. Ako je izmjenjivač priključen na aktivnu/krutu mrežu smanjenje izlazne struje nema utjecaja na iznos napona. U protivnom ako je izmjenjivač u otočnom radu doći će do proporcionalnog smanjenja napona po Ohmovom zakonu i njegovog isključenja podnaponskom zaštitom. Ova metoda može se primijeniti i obrnutom proporcionalnošću na način da povećava vrijednost izlazne struje i izazove povećanje napona u slučaju otočnog rada. Za napomenuti je da ima malu zonu neosjetljivosti. Literatura spominje da je ova metoda jedna od najuspješnijih aktivnih metoda detekcije otočnog pogona. No literatura ukazuje i na to da, kao i svaka druga metoda ima određene nedostatke. Utjecaj smanjenja struju uzrokuje manjom korisnosti izmjenjivača. U normalnom radu od izmjenjivača se očekuje da u mrežu isporučuje maksimalno raspoloživ iznos snage dok primjena ove metode „reže“ određeni period ciklusa izlazne struje. Drugi nedostatak očituje se u primjeni ove metode u dijelu mreže sa visokim udjelom izmjenjivača sa istom metodom detekcije u čijem bi slučaju došlo do smanjenja razine kvalitete [46].

### 3.2.3 Hibridne metode detekcije

Pasivne metode detekcije ne utječu na električne veličine sustava mjereći odziv kod pojave otočnog pogona pa imaju dosta veliku zonu neosjetljivosti. S druge strane aktivne metode utječu na električne veličine distribuiranih izvora i mreže mjereći odziv kod pojave otočnog pogona te imaju manju zonu neosjetljivosti nego pasivne metode. Primjene kombinacija aktivnih i pasivnih metoda nazivaju se hibridne metode [47].

**I) Praćenje pomaka napona pomakom radne snage-** Za slučaj kada pasivne metode nisu u mogućnosti odrediti otočni pogon koristi se hibridna metoda praćenja pomaka napona pomakom radne snage (ROCOV). U slučaju da ROCOV prođe kroz vrijednost parametra maksimalne vrijednosti napona - donosi odluku detekcije otočnog pogona [48]. Izraz 3.17 daje uvid u vrijednost indeksa ROCOV za period od 5 ciklusa promjene napona.

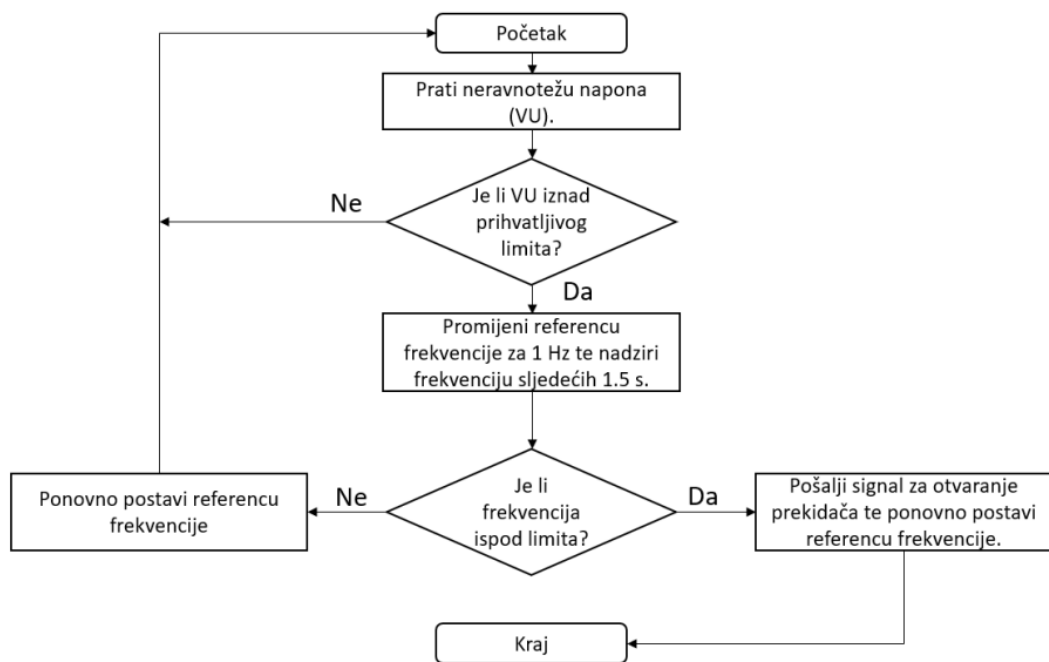
$$ROCOV = \left| \frac{1}{5} \sum_{i=1}^5 \left( \frac{dV}{dt} \right)_i \right| \quad (3.17)$$



U slučaju da je vrijednost ROCOV između minimalnih i maksimalnih postavljenih vrijednosti smatra se da distribuirani izvor nije u otočnom radu. Aktivacijom prvog ciklusa metoda dodatno provjerava stanje odziva u sljedećih 20 ciklusa, opisano izrazom 3.18, i opet uspoređuje sa vrijednošću od 5 ciklusa [49]. U slučaju da se ROCOV vrijednosti poklapaju ili su veće, donosi se odluka o odvajanju distribuiranog izvora od mreže tj. detekcija otočnog pogona.

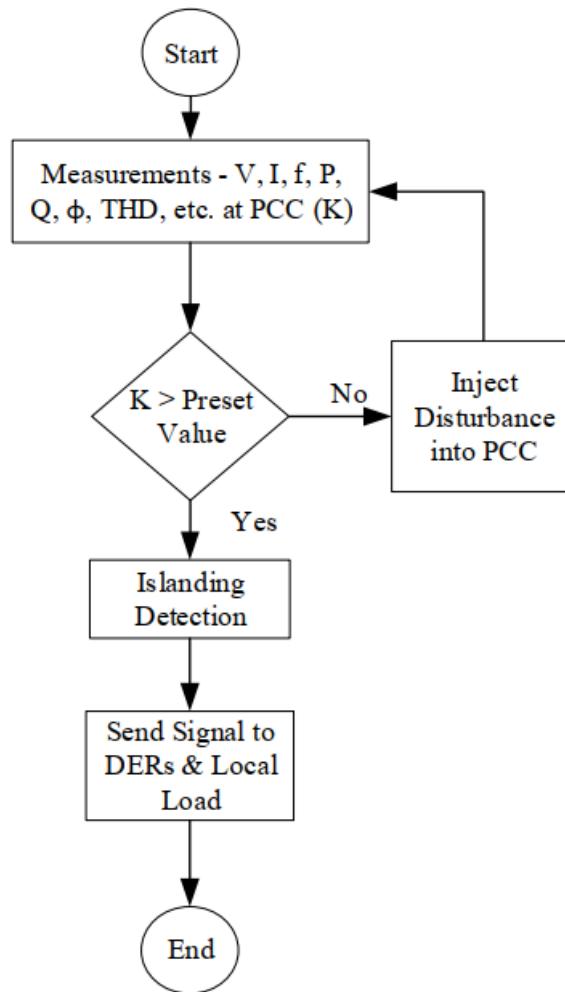
$$ROCOV = \left| \frac{1}{20} \sum_{i=1}^{20} \left( \frac{dV}{dt} \right)_i \right| \quad (3.17)$$

**II) Neravnoteža napona i postavljanje referentne frekvencije-** Ova metoda koristi kombinaciju pasivne metode praćenja fluktuacija napona uz aktivno postavljanje frekvencije. Pasivna metoda je zadužena za mjerenje promjena napona i donosi odluku o aktivaciji zaštite od otočnog pogona. Metoda je djelotvorna u slučaju da se vrijednost napona u dovoljnoj mjeri promijeni dok se referentna točka frekvencije mijenja na način da pokuša smanjiti frekvenciju u sustavu što u slučaju spoja sa aktivnom mrežom nije moguće. Na slici 3.9 prikazan je dijagram toka algoritma ove metode detekcije prema [49].



**Slika 3.9:** Dijagram toka hibridne metode neravnoteže napona i postavljanja reference frekvencije

III) **Sandia frekvencijski pomak s Q-f karakteristikom-** Ova metoda detekcije koristi ranije opisanu metodu koja koristi dodatno metodu promjene frekvencije u ovisnosti o jalovoj snazi te dodatno za odluku koristi aktivaciju ROCOF zaštite. Standardna ROCOF zaštita detektira otočni pogon za relativno velike i nagle promjene snage u sustavu. U ovom slučaju ROCOF parametri su smanjeni na manju razinu disbalansa bilo radne ili jalove snage [50]. Osnovni princip rada ove metode originalno je prikazan na slici 3.10, u [37].

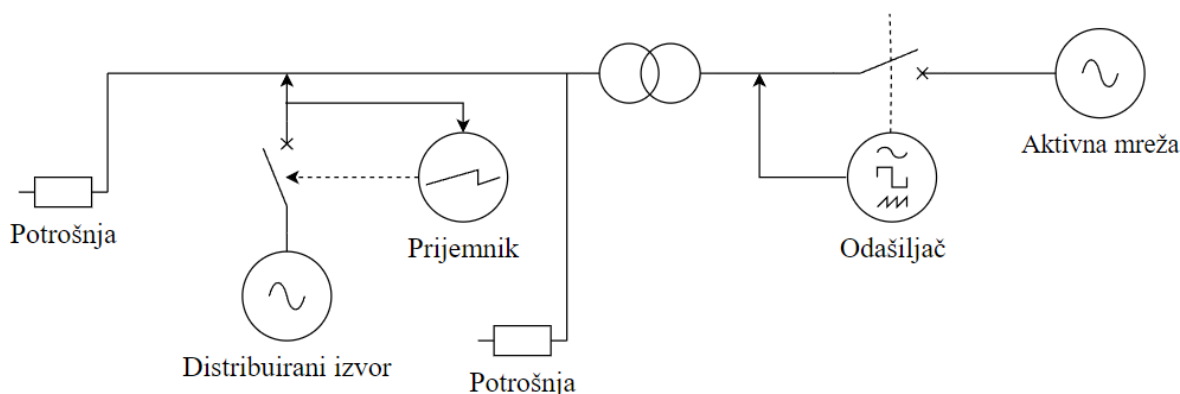


**Slika 3.10:** Osnovni princip rada hibridne metode Sandia pomaka frekvencije sa Q-f karakteristikom

### 3.2.4 Daljinske metode detekcije

Daljinske metode detekcije se ugrađuju u postrojenja distribuiranih izvora i operatora sustava, najčešće u distribuciji. Ove metode detekcije su se pokazale pouzdanijim od lokalnih, ali zahtijevaju znatna ulaganja u sustav automatike i složenu komunikacijsku infrastrukturu. Bitno za spomenuti je da ove metode detekcije skoro i nemaju zonu neosjetljivosti [51]. U nastavku su nabrojane neke od njih.

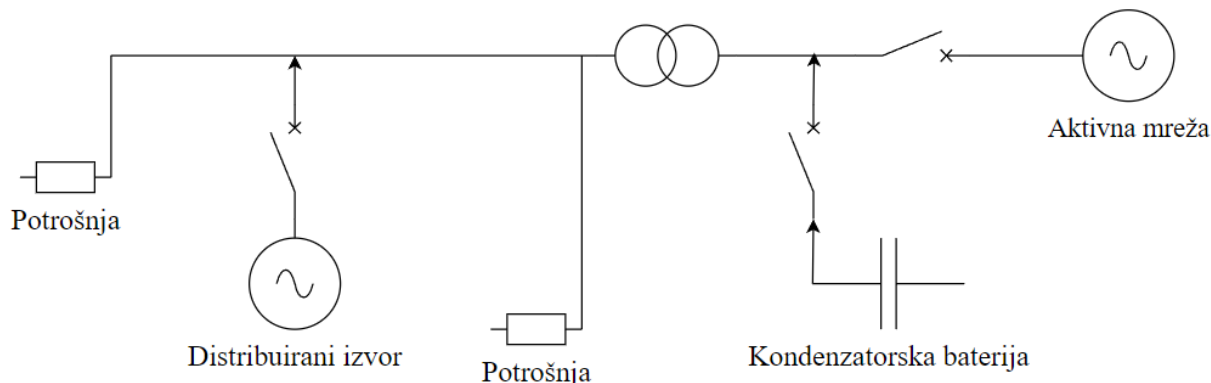
- I) **Metoda slanja informacija po energetskim vodovima-** Ova se metoda prijenosa komunikacije putem energetskih vodova skraćeno naziva PLC (eng. akronim Power Line Carrier). Njezin režim rada tj. komunikacije se odvija samo u jednom smjeru, obično od jedne točke odašiljanja na sve ili više točaka u mreži koje imaju adekvatne prijemnike [52][53]. Emitirani signal najčešće šalje informaciju o djelovanju ili/i isključenju nadređenog prekidača u mreži čiji prijem u postrojenju distribuiranih izvora jednostavno znači da njegovo isključenje je prouzročilo otopno stanje dijela mreže [54][55].



Slika 3.11: Princip PLC komunikacije

- II) **Metoda umetanja impedancije-** Prilikom pojave otopnog pogona i isključenja određenog prekidača u aktivnoj mreži, ova metoda koristi direktno uklapanje određene impedancije na isključeni dio mreže. Umetnuta impedancija je najčešće izvedena samo pomoću kondenzatorskih baterija čija pojava u mreži stvara bitnu promjenu u mreži tako da zaštita distribuiranih izvora detektira pojavu nesrazmjera proizvodnje i potrošnje [56]. Osim detekcije otopnog pogona distribuiranog izvora, frekventna zaštita u postrojenju operatora sustava na sučelju također detektira oscilacije napona i frekvencije što može djelovati kao rezervna

zaštita. Sukladno literaturi, ova metoda s dosta koristi i vrlo je popularna. Integracija kondenzatorskih baterija može poslužiti i za kompenzaciju sustavu kada je potrebna jalova snaga ili može svojevrsno regulirati napon. Na slici 3.12 je prikazana principijelna jednopolna shema ove metode.



**Slika 3.12:** Princip metode umetanja impedancije

- III) Metoda slanja signala isključenja-** Ova metoda ima isti princip kao i PLC metoda. Ne koristi PLC signal u energetskim vodovima nego se proizvodnom postrojenju dostavlja informacija o isključenju kritične točke mreže drugim komunikacijskim putevima i protokolima. Nekoliko primjera realizacije komunikacije ovom metodom svode se na bežične mreže, mikro-link (Wi-Fi), korištenje telefonske infrastrukture, radio komunikaciju i sl. Mogućnost primjene ove metode otvara primjenu i ostalih funkcija poput nadzora i razmjene mjerenja između proizvodnih postrojenja i operatora sustava [57].
- IV) Metoda upravljanja putem SCADA sustava-** Načelo rada ove metode bazira se na manipulaciji skupa informacija u SCADA sustavu na način da se pomoću logičkih i senzoričkih stanja detektira otočni pogon određenog dijela mreže. Nadzor svih mogućih elemenata u mreži putem SCADA sustava zahtijeva kompliciranu komunikacijsku infrastrukturu i opremu [58][59]. Međutim, kako se u današnje vrijeme teži ka nadzoru čim više kritičnih točaka u mreži ova metoda postaje sve izglednija kao strategija zaštite od otočnog pogona.

### 3.3 Usporedni pregled metoda detekcije otočnog pogona

Prethodna poglavlja predstavila su metode detekcije otočnog pogona i njihovu podjelu. Vrijednosti koje definiraju uspješnost navedenih metoda su zona neosjetljivosti, vrijeme detekcije otočnog pogona, greška ili kriva prosudba otočnog pogona, jednostavnost izvedbe i implementacije pojedine metode. Kako je prethodno opisano, metode se u osnovi dijele na lokalne i daljinske. Lokalne metode se dalje dijele na pasivne, aktivne i hibridne. Primjena pasivnih metoda očituje se u brzjoj detekciji i jednostavnosti, ali uz velike zone neosjetljivosti i tendenciju krivih prorada pojavom kvarova i poremećaja bez prisustva otočnog stanja. U nastavku je tablično prezentiran usporedni presjek svake od njih.

**Tablica 3.1:** Vrijednosti pasivnih metoda detekcije

Naziv metode	Veličina zone neosjetljivosti (NDZ)	Vrijeme detekcije	Indeks krivih prorada	Bonitet	Negativnost	Primjena
Pod/Nad naponska	Velika	$4\text{ms} \leq t \leq 2\text{s}$	Visok	Jednostavna za realizirati	Ne detekcija unutar NDZ-a	U sustavima sa više distribuiranih izvora
V i F	Mala	$t = 150 \text{ ms}$	Manji	Uspješna pri velikom disbalansu	Visoki stupanj krivih isključenjima	Po jediničnom izvoru
ROCOF	Mala	$24\text{ms} \leq t \leq 1\text{s}$	Visok	Jednostavna za realizirati	Ovisi o stupnju inercije sustava	Po jediničnom izvoru
ROCOP	Mala	$24\text{ms} \leq t \leq 26\text{ms}$	Visok	Dobar odaziv pri velikom disbalansu	Loša detekcija kod balansa	
VU i THD	Velika	$t < 2\text{s}$	Visok	Jednostavna za realizirati	Visoki stupanj krivih isključenjima	U sustavima sa više distribuiranih izvora
PJD	Mala	$t \leq 2\text{s}$	Visok	Nema utjecaja na kvalitetu napona	Nije primjenjivo za detekciju izoliranog pogona	
VU	Veća	$t = 53\text{ms}$	Nizak	Jednostavna za realizirati	Visoki stupanj krivih isključenjima	

**Tablica 3.2:** Vrijednosti aktivnih metoda detekcije

Naziv metode	Veličina zone neosjetljivosti (NDZ)	Vrijeme detekcije	Indeks krivih prorada	Bonitet	Negativnost	Primjena
SFS	Vrlo mala	$t=0.5$ ms	Nizak	Brza detekcija	Smanjuje parametre kvalitete	Po jediničnom izvoru
AFD	Vrlo mala	$t \leq 2$ s	Ne postoji podatak	Može se koristiti u sustavima sa velikim brojem OIE	Smanjuje parametre kvalitete	U sustavima sa više distribuiranih izvora
SVS	Mala	$t \leq 2$ s	Nizak	Jednostavna za realizirati	Smanjuje parametre kvalitete	U sustavima sa više distribuiranih izvora
SMFS	Vrlo mala	$t=0.4$ s	Nizak	Dobar odaziv	Velika tranzijentna stabilnost	
IM	Mala	$0.7s \leq t \leq 0.9s$	Ne postoji podatak	Jednostavna za realizirati	Generira harmonike	Po jediničnom izvoru
Injekcija neg. komp. struje	Ne postoji	$t \leq 60$ ms	Nizak	Brza detekcija	Može utjecati na PLL	Po jediničnom izvoru
P + Q injekcija	Ne postoji	$0.1s \leq t \leq 0.2ms$	Nizak	Brza detekcija	Kompleksna ugradnja	U sustavima sa više distribuiranih izvora

**Tablica 3.3:** Vrijednosti aktivnih metoda detekcije

Naziv metode	Veličina zone neosjetljivosti (NDZ)	Vrijeme detekcije	Indeks krivih prorada	Bonitet	Negativnost	Primjena
ROCOV + Snaga	Mala	$t < 2$ s	Nizak	Donosi poboljšanje pouzdanosti sustava	Malo smanjenje kvalitete napona	U sustavu sa više OIE
VU + THD	Mala	$t < 2$ s	Nizak	Uspješna detekcija otočnog i izoliranog pogona	Smanjenje kvalitete napona	

**Tablica 3.4:** Vrijednosti daljinskih metoda detekcije

<b>Naziv metode</b>	<b>Veličina zone neosjetljivosti (NDZ)</b>	<b>Vrijeme detekcije</b>	<b>Indeks krivih prorada</b>	<b>Bonitet</b>	<b>Negativnost</b>	<b>Primjena</b>
PLCC	Ne postoji	$t < 0.2s$	Ne postoji	Vrlo pouzdan	Visoka cijena investicije	U sustavu sa više OIE
SCADA	Ne postoji	$t < 2s$	Ne postoji	Nadzor i detekcija	Visoka cijena opreme	
SPD	Ne postoji	$0.1s \leq t \leq 3s$	Ne postoji	Kontrola vremena odaziva	Visoka cijena investicije	
Umetanje impedancije	Ne postoji	$1s < t < 2s$	Ne postoji	Ne utječe na kvalitetu napona	Relativno visoka cijena i komplicirano održavanje	

# Poglavlje 4

## Uvjeti na zaštitu od otočnog pogona

U ovom poglavlju će biti opisani tehnički uvjeti na zaštitu od otočnog pogona odnosno odvajanja OIE od distribucijske mreže.

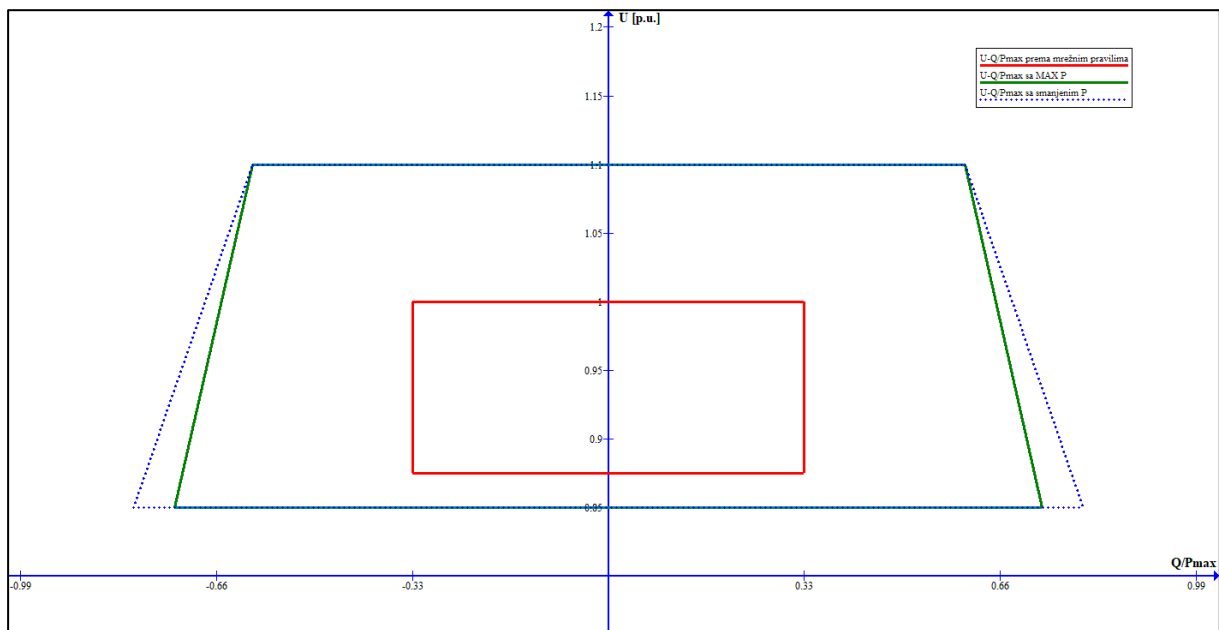
### 4.1 Uvjeti s obzirom na uredbu RFG 631

Uredba Komisije (EU) 2016/631 14. travnja 2016. je uredba o uspostavljanju mrežnih pravila za unificirane zahtjeve za priključivanje proizvođača električne energije na mrežu. Uredba nalaže kategorizaciju proizvodnih modula od A-D sukladno instaliranoj snazi i naponskom nivou priključenja koje pojedina zemlja članica ima pravo definirati zadajući parametre unutar kojih elektrane moraju održavati pogon sa EES-om. Osnovni skup parametara tj. zahtjeva definiranih prema [8] su;

- Zahtjevi na održavanje frekvencije,
- Zahtjevi na održavanje napona,
- Zahtjevi prema razini doprinosa kratkim spojevima,
- Zahtjevi na proizvodnju jalove snage,
- Zahtjevi na razinu upravljanja režima rada elektrane,
- Zahtjevi na kvalitetu opskrbe.

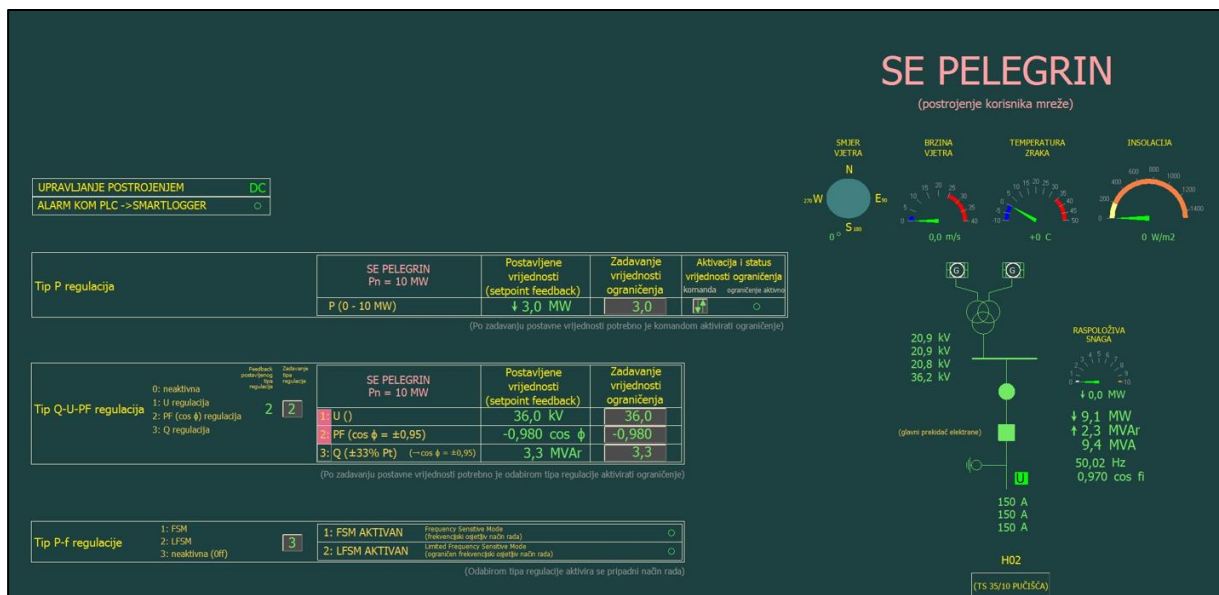
Dodatno, uredba propisuje i obaveznu razmjenu informacija između EES-a tj. nadležnog operatora i elektrane (za tip B, C i D, za A nije obaveza), komunikacijski protokol i sadržaj telegrama razmjene definira operator prijenosnog sustava. Protokoli koji se najčešće koriste za razmjenu informacija su IEC 61850 [20] i IEC 60870 [21] navedeno u [22]. Kao primjer realizacije zahtjeva uredbe, na slici 4.1 prikazana je karakteristika prema zahtjevu na proizvodnju jalove snage dok je na slici 4.2 prikazana mogućnost daljinskog upravljanja iz SCADA sustava na regulaciju radne i jalove snage te napona za modul energetskog parka „SE PELEGRIN“ instalirane maksimalne snage 10 MW.





Slika 4.1: Prikaz U-Q/Pmax karakteristike energetske parka

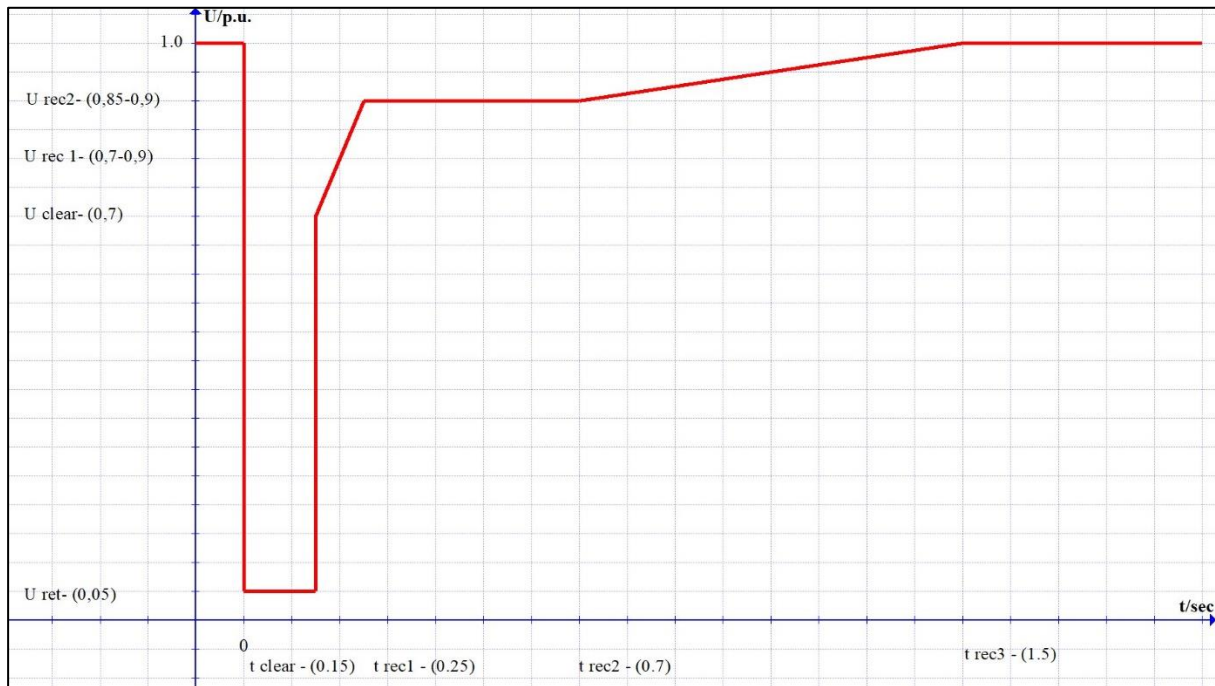
Crvena krivulja predstavlja krivulju iz mrežnih pravila distribucijskog sustava [31]. Zelena krivulja prikazuje mogućnost apsorpcije ili proizvodnje jalove snage u odnosu na nominalni  $P_{max}$  tj. na maksimalnu ukupnu instaliranu radnu snagu energetske parka. Plava krivulja predstavlja krivulju mogućnosti apsorpcije ili proizvodnje jalove snage iz mreže u odnosu na uvjete smanjene mogućnosti isporuke radne snage.



Slika 4.2: Prikaz panela daljinskog upravljanja OIE u SCADA-i

Kako je napisano i u uvodu nasuprot zaštiti od otočnog pogona, OIE ima obaveznu funkciju prolaska kroz kvar (eng. akronim FRT- Fault Ride Through capability) [19]. FRT

funkcija je sposobnost OIE da ostane priključen na električnu mrežu za vrijeme kratkotrajnih propada napona uzrokovanih kvarovima u mreži za koje nije ispunjen uvjet nastanka otočnog pogona. Po FRT karakteristikci vrijednost napona može propasti do vrijednosti od 0.05 p.u. u trajanju od 150 do 250 ms. Osim propada napona, kvarovi mogu prouzrokovati značajne devijacije frekvencije koje kao posljedicu uzrokuju isključenje OIE sa mreže djelovanjem bilo pasivnim ili aktivnim metodama zaštita.



Slika 4.3: FRT karakteristika iz uredbe

Tablica 4.1: Granice parametara zaštita prema uredbi RFG 631

Parametar zaštite	Zahtjev uredbe	Definirani vremenski odmak sukladno FRT karakteristikci
Nad napon ( $U \gg$ )	Definirano isključenje za $U \gg 120 \% U_n$	$t \leq 60$ s
Nad napon ( $U >$ )	Definirano isključenje za $U \gg 115 \% U_n$	Trajno ili prema dozvoljenom vremenu proizvođača opreme
Pod napon ( $U \ll$ )	Definirano isključenje za $U < 80 \% U_n$	$t \leq 0.150$ ms
Pod napon ( $U <$ )	Definirano isključenje za	$t \leq 3$ s

	$U < 85 \% U_n$	
Nad frekvencija ( $f >$ , $f \gg$ )	Definiran dopušteni raspon od 47.5-51.5 Hz	$t \leq 500$ ms ili prema maksimalnom prema dozvoljenom vremenu proizvođača opreme
Pod frekvencija ( $f <$ , $f \ll$ )	Definiran dopušteni raspon od 47.5-51.5 Hz	$t \leq 500$ ms ili prema maksimalnom prema dozvoljenom vremenu proizvođača opreme

Zahtjevi za FRT-om utječu na parametre algoritama pasivnih zaštita od otočnog pogona povećavajući njihovu zonu nedetekcije (eng NDZ Non Detection Zone). Metode detekcije otočnog pogona moraju biti imune na pojavu kvarova u mreži u trajanju od minimalno 150 ms, koje ne rezultiraju samim otočnim radom, podržavajući FRT po karakteristikama sa slike 4.3.

Dodatno, uredba propisuje i obaveznu razmjenu informacija između EES-a tj. nadležnog operatora i elektrane (za tip B, C i D, za A nije obaveza), komunikacijski protokol i sadržaj telegrama razmjene definira operator prijenosnog sustava. Protokoli koji se najčešće koriste za razmjenu informacija su IEC 61850 [20] i IEC 60870 [21]. Pravila o razmjeni podataka između operatora prijenosnog sustava, operatora distribucijskog sustava i proizvodnih modula priključenih na distribucijski sustav propisuju obaveze tko je i kome dužan dostavljati podatke o proizvodnom modulu priključenom na distribucijsku mrežu [57]. Pravila propisuju prava korištenja podataka o proizvodnom modulu priključenom na distribucijsku mrežu i obvezu operatora distribucijskog sustava da podatke o proizvodnom modulu priključenom na distribucijsku mrežu prosljedi operatoru prijenosnog sustava. Riječ je o tri vrste podataka: strukturni, planirani i podaci u stvarnom vremenu koji su realizirani ranije navedenim protokolima.

Obavezna razmjena informacija u stvarnom vremenu, razvila je ideju algoritma, koji je prezentiran u daljnjem poglavlju, baziranog na daljinskom i lokalnom mjerenju frekvencije u sustavu i postrojenju distribuirane proizvodnje. Razmjena informacija u stvarnom vremenu uglavnom se dijeli na tri osnovne kategorije:

- Razmjena informacija o stanju sklopnih aparata u postrojenju OIE i nadležnog operatora sustava,
- Razmjena upravljačkih i regulacijskih parametara proizvodnog postrojenja i mreže,
- Razmjena mjerenih električnih i ostalih veličina između mreže, susretnog postrojenja i proizvodnog postrojenja OIE.

## 4.2 Zaštita sukladno mrežnim pravilima distribucijskog sustava

Mrežna pravila distribucijskog sustava koje propisuje operator distribucijskog sustava ODS, osim ostalog, definiraju zahtjeve na kvalitetu opskrbe i zaštitu vezano uz priključenje i pogon OIE [31]. Mrežna pravila distribucijskog sustava (ili mrežna pravila elektrodistribucije) su skup tehničkih i operativnih smjernica, standarda i procedura koje reguliraju način na koji se upravlja, održava i koristi elektrodistribucijska mreža. Ova pravila osiguravaju pouzdanost, sigurnost i učinkovitost distribucije električne energije od glavne mreže do krajnjih korisnika. Funkcionalna cjelina koja definira zahtjeve na zaštitu OIE naziva se zaštita za odvajanje.

Zaštita za odvajanje u mrežnim pravilima distribucijskog sustava odnosi se na skup mjera i uređaja koji omogućuju automatsko isključivanje dijela mreže ili pojedinačnih korisnika u slučaju kvara ili nepravilnosti u radu. Glavna svrha ovih zaštitnih mjera je sprječavanje širenja kvarova, zaštita ljudi i opreme te osiguranje stabilnosti i sigurnosti elektrodistribucijskog sustava.

### Ključni elementi zaštite za odvajanje uključuju:

- **Zaštita od preopterećenja:** Sustav koji prepoznaje kada dio mreže ili pojedinačni korisnik ima višu vrijednost pogonske struje nego što je dopušteno i automatski isključuju taj dio kako bi spriječili oštećenja na opremi.
- **Zaštita od kratkog spoja:** Sustav koji detektira prisutnost kratkog spoja u mreži i odmah isključuju pogođeni dio kako bi se spriječila oštećenja, požar u postrojenju i sl.
- **Zaštita od prenapona i sniženog napona:** Sustav koji prepoznaje prenaponske i podnaponske pojave (npr. zbog munje) štite mrežu i korisnike smanjenjem napona ili isključivanjem dijela mreže.
- **Zaštita diferencijalne struje:** Sustav koji prati razliku između struje ulaza i izlaza u određenom dijelu mreže i isključuje taj dio u slučaju otkrivanja nepravilnosti, što može ukazivati na kvar ili oštećenje izolacije.
- **Frekventna zaštita:** Sustav koji mjeri vrijednost frekvencije te isključuje postrojenje u slučaju nadfrekvencije ili podfrekvencije.
- **Zemljospojna zaštita:** Sustav zaštite koji otkriva jednopolne kvarove i zemlj spojeve i isključuje dio mreže kako bi se spriječile opasnosti po sigurnost ljudi i opreme.

- **Selektivnost zaštite:** Pravila koja osiguravaju da se u slučaju kvara isključuje samo najmanji mogući dio mreže kako bi se minimalizirao utjecaj na korisnike i omogućilo brzo otklanjanje kvara.
- **Automatsko ponovno uključenje:** Sustavi koji nakon isključenja zbog kvara automatski pokušavaju ponovno uključiti pogođeni dio mreže nakon određenog vremena, čime se omogućuje brzo vraćanje napajanja ako je kvar privremen.
- **Odvajanje otočnog pogona:** Mjere koje omogućuju sigurnu izolaciju i autonomni rad dijelova mreže ili pojedinačnih generatora (npr. fotonaponskih sustava ili vjetroturbina) u slučaju prekida opskrbe u glavnoj mreži, bez ugrožavanja stabilnosti i sigurnosti ostatka mreže.

#### **Primjena zaštitnih mjera za odvajanje obuhvaća:**

- **Korištenje zaštitnih uređaja:** Kao što su releji, prekidači, osigurači, uređaji prenaponske zaštite i uzemljivači.
- **Redovno održavanje i testiranje:** Kako bi se osiguralo da zaštitni sustavi ispravno funkcioniraju i da su spremni za djelovanje u slučaju kvara.
- **Koordinacija zaštite:** Među različitim dijelovima mreže i s različitim uređajima kako bi se osigurala optimalna učinkovitost i sigurnost.

Ove mjere i uređaji ključni su za stabilan i siguran rad distribucijske mreže, štiteći i opremu i korisnike te omogućujući brzo i učinkovito otklanjanje kvarova.

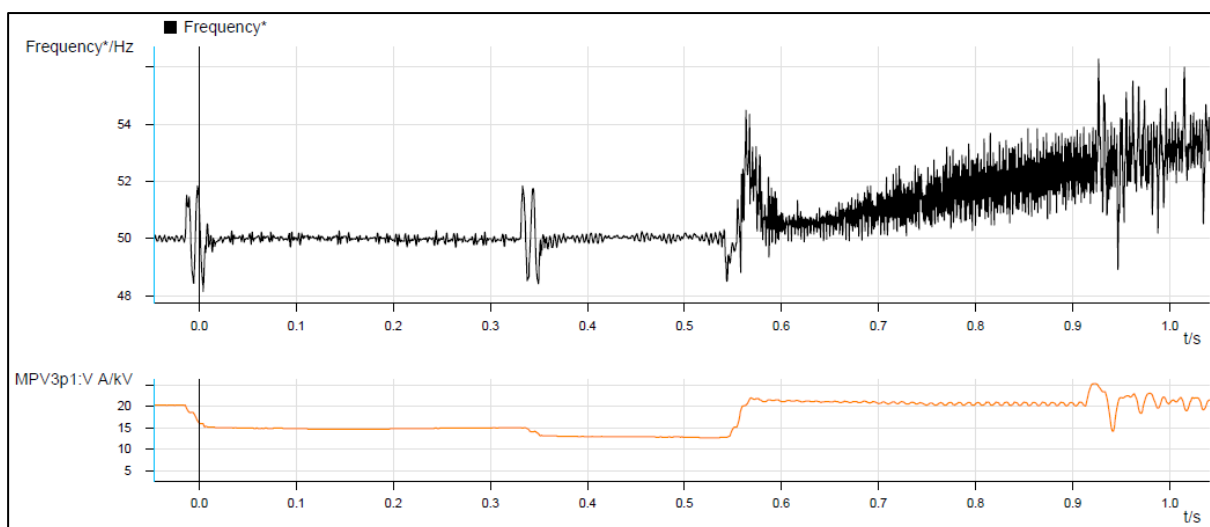
Integraciju zahtjeva uredbe EU RFG 631 u mrežna pravila ostvarena je izmjenama i dopunama [58].

## Poglavlje 5

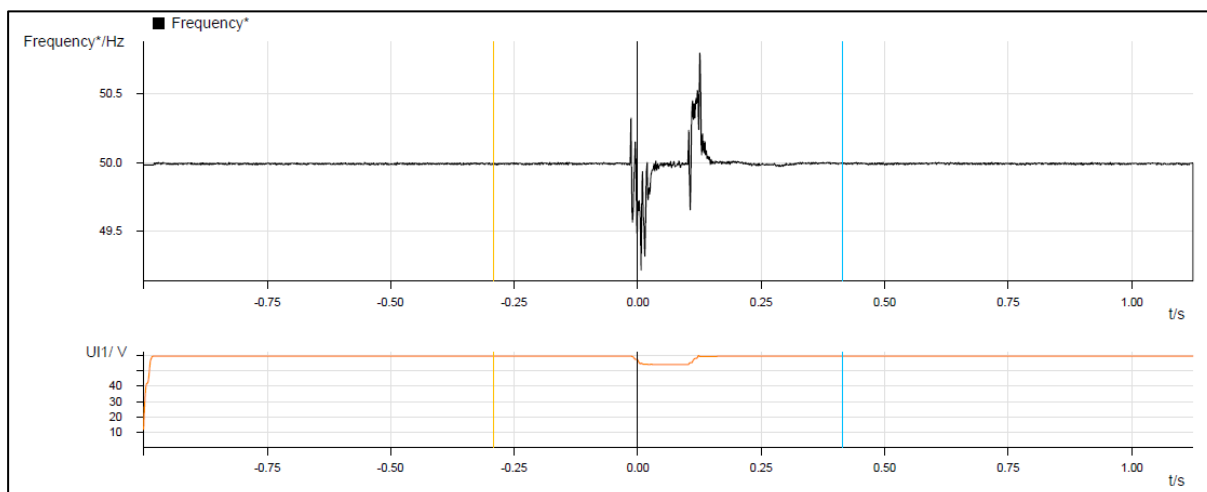
# Algoritmi s poboljšanom karakteristikom za detekciju otočnog pogona

Dosadašnji tijek istraživanja bazira se na analizi primjene napredne tehnike električne zaštite naspram integracije obnovljivih izvora energije i složenosti elektroenergetskog sustava. Zaštita od otočnog pogona predstavlja jednu od najzahtjevnijih i najsloženijih paradigmi u modernoj električnoj mreži. Prepoznata je važnost zaštite od otočnog pogona velikim brojem objavljenih radova i istraživanja te na kraju i samoj praktičnoj primjeni. Za bolje razumijevanje djelovanja bilo koje vrste električne zaštite potrebno je analizirati kako se ona implementira, koji su joj principi djelovanja te uzroci tj. kvarovi ili pogonske pojave kod kojih mora isključiti štitičnu jedinicu ili mrežu. U sklopu analize postojećih metoda zaštita od otočnog pogona došlo se do zaključka da postoje dva glavna problema u njezinom radu. Prvi problem je neseletivno i krivo isključenje potaknuto pogonskim događajima u mreži koji ne dovode do otočnog pogona.

U nastavku su prezentirana dva primjera događaja u mreži, prvi primjer prikazuje oscilogram (eng. Disturbance record) napona i frekvencije neuspješne detekcije na slici 5.1 dok drugi prikazuje krivo isključenje tj. neselektivnu proradu slika 5.2 (oba mjerenja vršena su u susretnom postrojenju u nadležnosti HEP ODS-a, prvi u 35 kV mreži Elektre Koprivnica dok je drugi u 35 kV HE Dubrava za malu hidro-elekttranu).



Slika 5.1: Oscilogram frekvencije i napona neuspješne detekcije



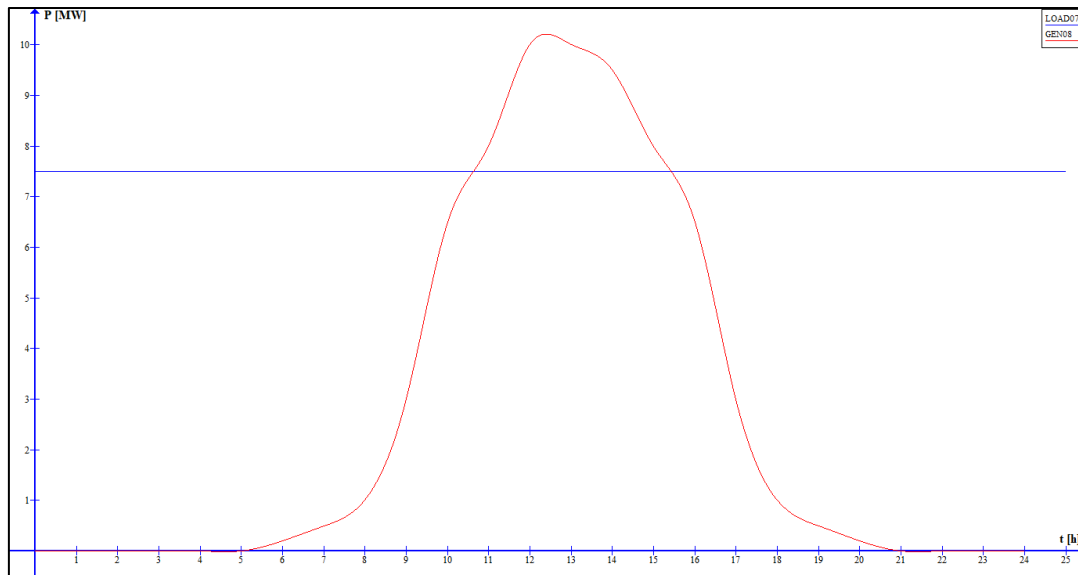
**Slika 5.2:** Oscilogram frekvencije i napona krivog isključenja

Skoro svaka implementirana zaštita od otočnog pogona bazirana je na metodama detekcije promjene kuta vektora napona i brzini promjene frekvencije čija uspješnost ovisi o postojanju diferencijala radne i jalove snage. Veličina potrebnog diferencijala proizlazi iz parametara same zaštite od promjene kuta vektora napona ili brzine promjene frekvencije. Smanjenjem parametara smanjuje se i potreban diferencijal za detekciju otočnog pogona, no s druge strane sama zaštita postaje preosjetljiva na druge pojave u mreži koje nisu rezultat otočnog pogona nego kvarovi i poremećaji u mreži čiji rezultat nije otočni rad. Za potrebe uspješnog potvrđivanja i ispitivanja zaštite od otočnog rada inženjeri često postavljaju niske parametre za detekciju. Povećana osjetljivost osigurava manju zonu neosjetljivosti i sigurniju detekciju otočnog pogona dok s druge strane bespotrebno isključuje distribuiranu proizvodnju i time utječe na sveukupnu stabilnost sustava.

U poglavlju sa objašnjenjem algoritama pomaka vektora napona i brzine promjene frekvencije sa poboljšanom karakteristikom će biti prikazani rezultati simulacija rada algoritma sa snimljenim mjernim vrijednostima napona odnosno frekvencije u rezoluciji od 2000 Hz odnosno 2000 uzoraka po sekundi. Simulacije su rađene u „*Test Case generator*“ alatu.

Verifikacija uspješnosti metoda provodi se dinamičkim analizama kratkih spojeva i otočnog pogona na modelu mreže provedenih u NEPLAN programskom alatu. Fokus analiza biti će distribuirani izvori (fokus na sunčanoj elektrani u modelu) i diskretni teret čijim odvajanjem od aktivne mreže i sabirnica duboko u mreži kao referentna točka. Slika 5.3 daje prikaz vrijednosti radne snage modeliranog tereta i sunčane elektrane. U daljnjim analizama simulirati će se kvarovi na susjednim izvodima i duboko u mreži te prikazati kako postojeća zaštita od pomaka

vektora napona djeluje te kako djeluje predstavljena poboljšana metoda. Od rezultata se iščekuje prikaz krivih prorada postojećih metoda naspram nove sa poboljšanom funkcionalnošću.

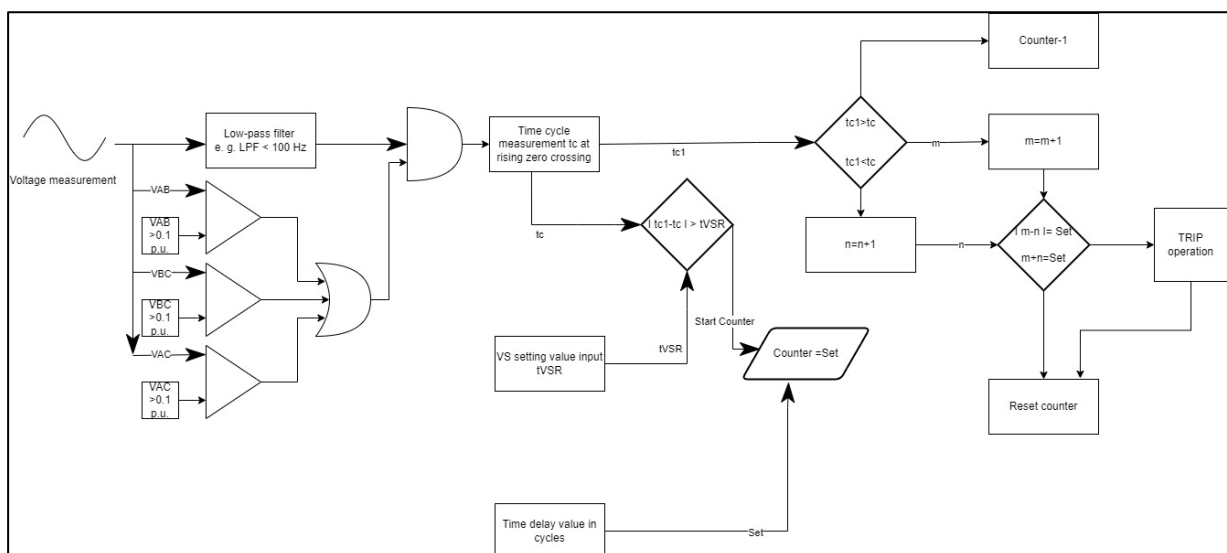


**Slika 5.3:** Prmjer bilance radne snage i tereta na istoj sabirnici u sustavu



## 5.1 Algoritam detekcije pomaka vektora napona sa poboljšanom karakteristikom

Ovo poglavlje predstavlja način rada algoritma detekcije pomaka vektora napona sa poboljšanom karakteristikom (u nastavku ovog poglavlja samo- algoritam). U poglavlju 3.2.1 opisan je teorijski uvod i objašnjenje pojave pomaka vektora napona u postrojenju distribuiranog izvora u trenutku nestanka napona aktivne mreže, i pojave kvarova i smetnji. Predstavljena je definicija uvjeta detekcije metode u ovisnosti o pojavi razlike radne komponente snage preostalog tereta i distribuiranog izvora. Kako je već opisano, glavna mana postojećih metoda su neselektivne i krive prorade kod pojave kvarova na susjednim izvodima ili propada napona u nadređenoj mreži.



**Slika 5.4:** Algoritam pomaka vektora napona sa poboljšanom karakteristikom

Algoritam sa slike 5.4 detektira pomak u vektoru napona preračunavajući postavnu vrijednost kuta naspram naglog smanjenja ili povećanja vremena trajanja ciklusa promjene napona. Mjerenje vremena trajanja ciklusa realizirano je tzv. metodom „Rising voltage zero crossing“ [59] i provodi se ciklički svakom promjenom ciklusa mjerenog napona. Predstavljani algoritam uspoređuje svaki novi ciklus odnosno njegovo trajanje sa prethodnim. Za ulazne parametre algoritma definira se:

- Ulazne mjerene veličine su linijske vrijednosti napona koji prolaze proces filtriranja od raznih smetnji,

- Osnovni uvjet rada algoritma je prisutnost mjernog napona (vrijedosti veće od 0.1 p.u. no ovaj uvjet se može posebno parametrirati),
- Aktivacijski ulazni parametar algoritma je postavna vrijedost pomaka vektora napona u stupnjevima nakon čega algoritam tu vrijednost preračuna u  $t_{VSR}$  prema bazi nazivne frekvencije sustava od 50 ili 60 Hz,
- Vremenski ulazni parametar za odluku da li izvršiti isključenje ili ne je *Set*, obično se ovaj parametar u relejima naziva i vrijeme zatezanja djelovanja ili isključenja,
- Pretpostavka da se zatezanje djelovanja algoritma postavi za minimalno 10 ciklusa promjene napona što zadovoljava uvjet uredbe i mrežnih pravila na održavanje spoja OIE na sustav prilikom prolaska kroz kvar.

Za pojavu kvarova u mreži u primjerima sa slika 5.1 i 5.2, u trenutku pojave kratkog spoja u mreži tj. u idućem periodu promjene jednog ciklusa napona od trenutka nastanka kvara, algoritam pokreće start funkciju zato što vrijeme trajanja ciklusa odstupa za parametriranu vrijednost kuta preračunatu u vremensku varijablu  $t_{VSR}$ . Nakon toga algoritam pokreće funkciju *counter* (brojač ciklusa) koja predstavlja zadani parametar zatezanja djelovanja i vrijeme provjere ispravnosti tj. donošenja odluke algoritma za davanje odluke isklopa- *TRIP operation*. *Counter* predstavlja cjelobrojnu varijablu u algoritmu koja je proporcionalna vremenu broja ciklusa nazivne frekvencije sustava. Ako je nazivna frekvencija sustava 50 Hz  $t_{VSR}$  iznosi 0.02 s a u slučaju 60 Hz iznosi 0.016667. Dalje u pojašnjenju i analizama se koristi frekvencija sustava 50 Hz .

*Counter* se pokreće tek kada vrijeme trajanja ciklusa odstupa za zadanu vrijednosti između završenog i prethodnog ciklusa napona i prelazi u varijablu *set* čija se vrijednost smanjuje za 1 svakim narednim ciklusom, kod numeričkih releja ovu fazu u algoritmima nazivamo i „Start“ zaštite.

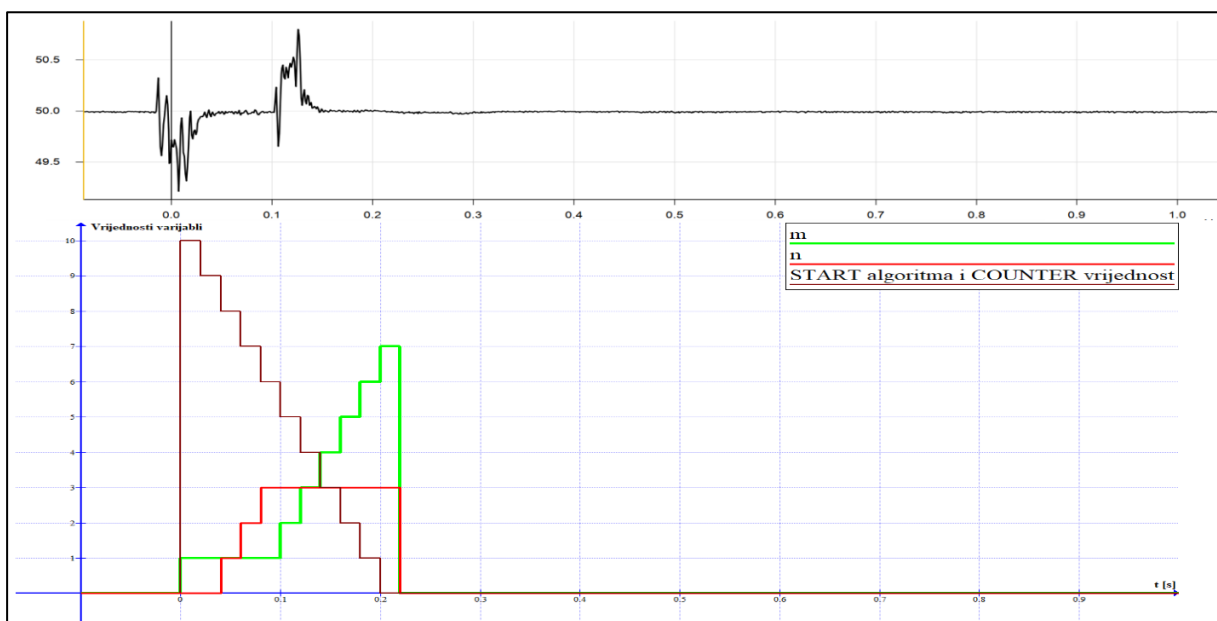
Varijable  $m$  i  $n$  predstavljaju cjelobrojne varijable tj. kontrolne članove pri čemu je  $m$  brojač ciklusa ako je vrijeme trajanja ciklusa veće od referentnog ciklusa  $t_c$  te za taj slučaj uvećava za 1. Bitno za napomenuti je da su ulazne vrijednosti varijabli  $m$  i  $n$  na početku iznosa 0.

Postizanjem iznosa *set* u vrijednosti 0, algoritam provjerava odnose  $m$  i  $n$  računajući apsolutnu vrijednost-modul njihove razlike. U slučaju da je modul različit od početne *set* varijable znači da su oscilacije frekvencije u vrijednosti oko nazivne i da nije ispunjen uvjet detekcije otopnog rada nakon čega se *counter* resetira. Za slučaj da je modul jednake vrijednosti kao *set* varijabla, ispunjen je uvjet detekcije otopnog rada te algoritam izdaje komandu isklopa. Ova vrsta uvjeta

podrazumjeva da  $m$  i  $n$  varijable dobivaju vrijednost za 1 veću ovisno o predznaku diferencijala radne snage tereta i proizvodnje u otočnom pogonu.

Smanjenje vremena trajanja ciklusa predstavlja uvjet da je frekvencija veća od nazivne odnosno da je teret u preostalom dijelu sustava manji od generirane proizvodnje dok povećanje znači da je frekvencija manja od nominalne i iznos diferencijala radne snage je veći na strani tereta. Završetkom ciklusa resetiraju se i varijable  $m$  i  $n$  na vrijednost 0.

Na slici je prezentiran primjer tipične pojave kratkog spoja čija bi pojava aktivirala klasičnu metodu detekcije pomaka vektora napona zajedno sa simuliranim odazivom algoritma, ali pogonsko stanje nakon isključenja ne uzrokuje otočni pogon.

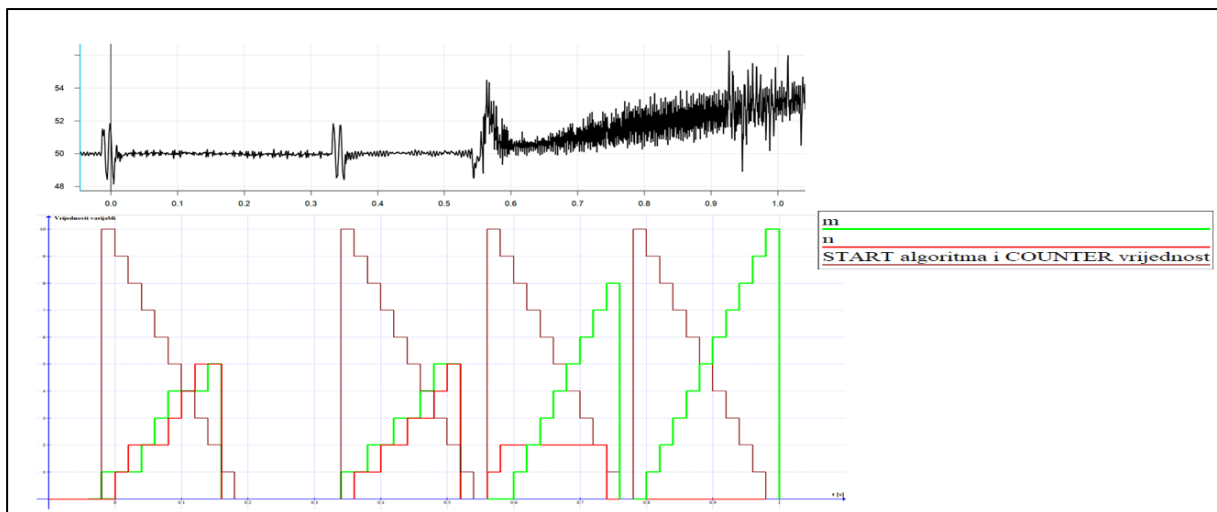


**Slika 5.5:** Prikaz frekvencije i napona pri kratkom spoju u mreži sa odazivom algoritma na vremenskoj osi

Rezultati sa slike 5.5 prikazuju simulaciju odaziva algoritma sa postavnim vrijednostima pomaka vektora napona u iznosu od  $4^\circ$  i vremena zatezanja od 10 ciklusa odnosno 0.2 s. Inkrementacija varijabli  $m$  i  $n$  počinje detekcijom pomaka vremena ciklusa od prethodnog ciklusa dok se s druge strane *counter* varijabla dekrementira do vrijednosti 0. Logika algoritma ne izdaje uvjet komande isključenja nego blokira samu sebe te se resetira. U daljnjem toku distribuirani izvor ostaje priključen i uspješno je prošao kroz stanje kvara.

Drugi primjer uzima u obzir pojavu kvara i prelazak u stanje otočnog rada, primjer sa slike 5.1 u uvodu ovog poglavlja. Kako je opisano ranije, ulazni parametri za simulacije izvučeni su

iz zapisa stvarnih kvaorva u mreži. Algoritam koristi iste parametre kao i kod prethodnog primjera, vrijednost aktivacije od  $4^\circ$  i vrijeme zatezanja tj. provjere od 0.2 s. U ovom primjeru opis kvara je kako slijedi: prva devijacija napona i frekvencije u vremenu oko 0 s je uzrokovana pojavom dvopolnog kratkog spoja u nadređenoj 110 kV mreži. Isključenje kvara je drugi događaj, a kako je mreža 110 kV višestruko , elektrana nije odvojena od aktivne mreže. Treća instanca predstavlja pokušaj APU-a na ponovnoj uspostavi napona te je izvršen ponovni uklop mreže koja je i dalje pod kvarom. Treći događaj predstavlja drugostupanjsku proradu zaštite sabirnica koja isključuje sve 110 kV vodove čvora nakon neuspjelog APU-a koja dovodi elektranu u otočni rad.



**Slika 5.6:** Prikaz frekvencije i napona pri kratkom spoju u mreži i pojavi otočnog pogona sa odazivom algoritma na vremenskoj osi

Kako je prikazano slikom 5.6 simulacija rada algoritma za svaku instancu uključenja i pojave kvara detektira zadanu vrijednost pomaka vektora napona ( $4^\circ$ ) uzrokovanog poremećajem odnosno njegovim isključenjem.

Start zaštite se aktivira za prvi događaj u vremenu od -0.2 s do 1.8 s, algoritam zatim počinje odbrojavati zadani vremenski odmak (200 ms). Startom započinje i provjera uvjeta i dodavanje vrijednosti  $m$  i  $n$  varijablama čija je početna vrijednost iznosila 0. S obzirom da je vrijednost oscilirala oko nazivne frekvencije vrijednosti uvjetnih varijabli ne zadovoljavaju uvjet algoritma na izdavanje isključenja nego ga resetira na početak što znači da ne postoji detekcija otočnog pogona što i jest pravo stanje.

Start zaštite se aktivira za drugi događaj u vremenu od 0.34 s do 0.54 s, algoritam zatim počinje odbrojavati zadani vremenski odmak (200 ms). Startom započinje i provjera uvjeta i dodavanje

vrijednosti  $m$  i  $n$  varijablama čija je početna vrijednost iznosila 0. S obzirom da je vrijednost također oscilirala oko nazivne frekvencije kao i za slučaj kod prvog događaja, vrijednosti uvjetnih varijabli ne zadovoljavaju uvjet algoritma na izdavanje isključenja nego ga resetiraju na početak što znači da ne postoji detekcija otočnog pogona.

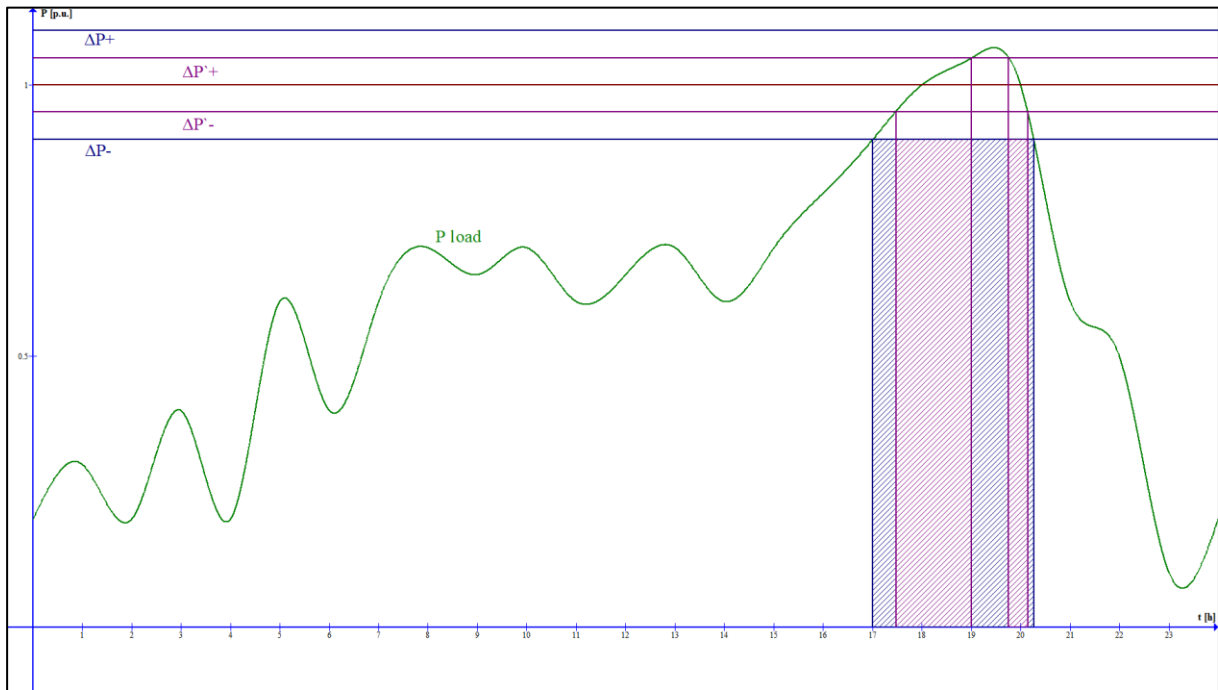
Treći događaj promatra se u vremenu 0.56 s do 0.76 s, kako je opisano brzi stupanj APU-a pokušava ponovno uključiti gdje su kvar i aktivna mreža i dalje prisutni. Dolazi do drugostupanjskog isključenja i odvajanja mreže prilikom čega elektrana ostaje u otočnom pogonu. Ponovnim uključanjem algoritam starta i detektira slične oscilacije kao i kod prva dva događaja sa naglaskom veće  $m$  varijable s obzirom da je generator u otoku i „prelijeće“ nazivnu frekvenciju sustava. Kako i dalje postoji uvjet na  $n$  varijablu algoritam se resetira.

U četvrtom periodu od 0.78 s do 1 s, algoritam izdaje start signal te vrijednost  $m$  varijable prati stanje povećanja frekvencije tj. smanjenje trajanja perioda izmjene napona. Nakon isteka vremena vremenske odgode tj. perioda evaluacije, algoritam izdaje nalog za isključenje. Uvjet detekcije je zadovoljen iz razloga što je elektrana u otočnom pogonu sa većom radnom snagom od preostalog tereta dijela mreže.

Prikazanim simulacijama rada algoritma prezentirana je njegova funkcionalnost odnosno način rada. Algoritam posjeduje svojstvo imuniteta na poremećaje u mreži za čije isključenje ne postoji uvjet otočnog pogona te također to svojstvo pruža po zahtjevima uredbe RFG 631 i mrežnih pravila na prolazak OIE kroz stanje kvara. Glavnina releja sa zaštitom od pomaka vektora napona imaju trenutno djelovanje tj. djeluju odmah bez mogućnosti odgode. Releji sa istom funkcijom, a da imaju mogućnost odgode djeluju na isti način samo im je isključenje zadržano. Postavke parametra detekcije pomaka konvencionalnih releja kreće od vrijednosti  $>$  od  $8^\circ$  što predstavlja sigurniju detekciju otočnog pogona, ali i veću vjerojatnost krivih i neselektivnih isključenja. Predlagani algoritam može raditi po mjerenju jedne linijske vrijednosti napona, kako je prikazano primjerima i simulacijama, a može raditi i u režimu odluke po mjerenjima sve tri vrijednosti i donositi odluku o isključenju po uvjetu 2 od 3 ili po uvjetu postojanja pomaka u sve tri faze.

Mogućnošću korištenja manje vrijednosti pomaka vektora napona i povratnom provjerom, algoritam ima manju zonu neosjetljivosti na samu pojavu otočnog rada nego konvencionalni algoritmi. Algoritam ima mogućnost detekcije jer je potreban manji diferencijal radne snage potrošača i OIE nego kod klasičnih metod sa uobičajenim parametrima detekcije.

Prikaz utjecaja na zonu neosjetljivosti parametra postojeće metode i predstavljenog algoritma prikazano je na slici 5.6 gdje su prikazane zone nedetekcije tj. potrebni diferencijal radne snage za konvencionalnu metodu sa vrijednosti od  $8^\circ$  i predstavljenog algoritma sa  $4^\circ$ . Za primjer odabrana je kritična točka u sustavu kod koje postoji mogućnost nedetekcije u slučaju njezinog odvajanja od aktivne mreže po bazi snage od 1.p.u. Razlika u površinama osjenčanih dijelova definiramo kao doprinos smanjenju zone neosjetljivosti nove metode naspram stare.



**Slika 5.6:** Prikaz zone zone neosjetljivosti postojeće pasivne i predstavljene metode

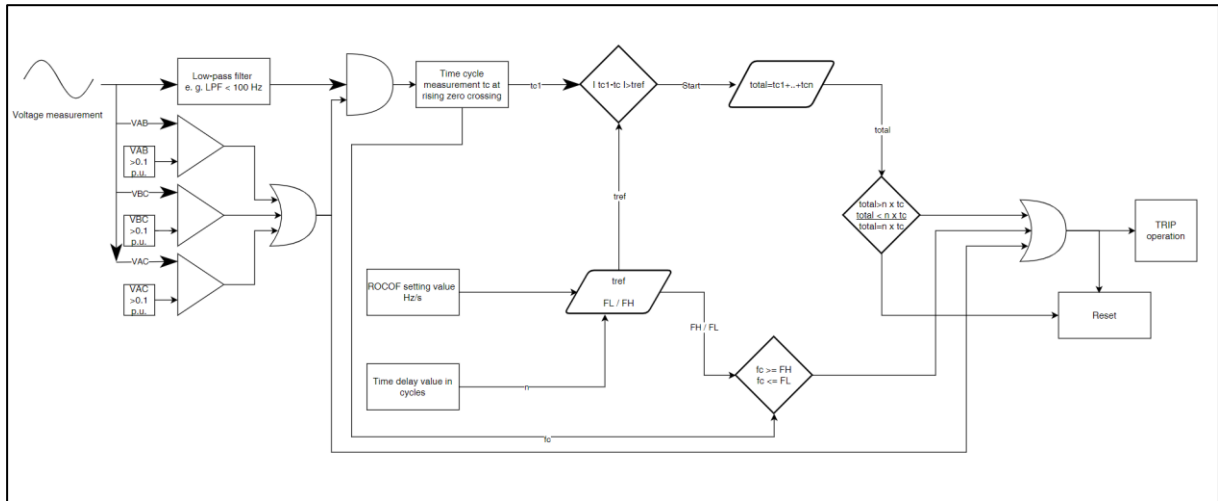
## 5.2 Algoritam detekcije brzine promjene frekvencije sa poboljšanom karakteristikom

Releji sa integriranom zaštitom od brzine promjene frekvencije (ROCOF) djeluju na sličan način kao i oni sa zaštitom pomaka vektora napona čija pobuda ovisi o postojanju diferencijala radne snage u isključenom dijelu mreže između tereta i distribuirane proizvodnje. Kako je opisano u poglavlju 3.2.1, diferencijal radne snage uzokuje fluktuacije u frekvenciji preostalog dijela sustava proporcionalno njegovom iznosu. Dodatni uvjet na pasivne zaštite nad i podfrekvencije donosi uredba RFG 631 tj. mrežna pravila koja zahtijevaju od OIE na aktivnom održavanju frekvencijske stabilnosti u sustavu u granicama od 47.5 Hz do 51.5 Hz. Ovim ograničenjem su postavljeni minimalna i maksimalna vrijednost parametara pasivnih zaštita nad i pod frekvencije.

Konvencionalna metoda ROCOF zaštite računa brzinu promjene frekvencije po bazi fiksnih broja perioda promjene napona. Releji često imaju broj perioda računanja u obliku preddefinirane vrijednosti 6 ili 12 ciklusa dok se u ostalima taj parametar može upisati, ali sa ograničenjem od minimalno 6 ciklusa ili su fiksni. Iz prakse, releji sa aktiviranom ROCOF zaštitom i istim parametrima ne detektiraju poremećaje sinkrono tj. za isti poremećaj neki djeluju, a neki ne. Kako je dostupno iz literature, metode proračuna brzine promjene frekvencije kod nekih proizvođača se vrši pomoću mjerenja vremena trajanja punog ili polu ciklusa izmjene napona dok drugi koriste diskretnu Fourierovu transformaciju.

Kao i sve pasivne zaštite od otočnog pogona, ROCOF metoda ima svojstvo da krivo i neselektivno isključuje za pojavu poremećaja u mreži.

U ovom poglavlju bit će predstavljen algoritam detekcije promjene brzine frekvencije sa poboljšanom karakteristikom (u nastavku samo algoritam). Algoritam računa frekvenciju metodom mjerenja trajanja punog ciklusa izmjene napona [59]. Start algoritma se bazira na detekciji promjene u vremenu trajanja trenutnog punog ciklusa sa prethodnim ciklusom izmjene napona kao i metoda detekcije promjene napona.



Slika 5.7: Algoritam brzine promjene frekvencije sa poboljšanom karakteristikom

Algoritam računa ulaznu vrijednost  $t_{ref}$  varijable koja se proračunava putem izraza 5.1. pri čemu su *ROCOF setting value* i *Time delay i cycles* ulazni parametri za ovu metodu.

$$t_{ref} = 0,02 \left( 1 - \frac{ROCOF \text{ setting value}}{50} \right) \quad (5.1)$$

$$FH = 50 + \frac{ROCOF \text{ setting value}}{50} n \quad (5.2)$$

$$FL = 50 - \frac{ROCOF \text{ setting value}}{50} n \quad (5.3)$$

Za ulazne parametra algoritma definira se:

- Ulazne mjerene veličine su linijske vrijednosti napona koji prolaze proces filtriranja od raznih smetnji,
- Osnovni uvjet rada algoritma je prisutnost mjernog napona (vrijednosti veće od 0.1 p.u. no ovaj uvjet se može posebno parametrirati),
- Aktivacijski ulazni parametar algoritma je preračunati parametar - vrijednost apsolutne brzine promjene frekvencije prema bazi nazivne frekvencije sustava od 50 ili 60 Hz,
- Vremenski ulazni parametar za izvršavanje provjere uvjeta, tj. vremensko zatezanje je *Time delay value in cycles*,
- Pomoćne varijable  $FH$  i  $FL$  u algoritmu predstavljaju projicirane vrijednosti frekvencije prema izrazu 5.2 i 5.3 kao dodatna provjera u algoritmu,



- Pretpostavka da se zatezanje djelovanja algoritma postavi za minimalno 10 ciklusa promjene napona što zadovoljava uvjet uredbe i mrežnih pravila na održavanje spoja OIE na sustav prilikom prolaska kroz kvar.

Start funkcija provjerava da li je apsolutna vrijednost razlike trenutnog i prethodnog ciklusa veća od preračunate postavne vrijednosti prema izrazu 5.1.

Nakon izdavanja *Start* funkcije algoritam zbraja vremena trajanja (*tc1*) idućih *n* ciklusa koji odgovaraju postavnoj vrijednosti za *Time delay value in cycles*.

Algoritam zbraja vrijednosti ukupnog vremena trajanja svih *n* ciklusa u obliku varijable *total*.

Sljedeći uvjetni član algoritma provjerava da li je varijabla *total* veća od vrijednosti umnoška vremena trajanja ciklusa prije *Start* funkcije sa brojem ciklusa promatranja *n*.

U slučaju da je vrijednost varijable *total* veća ili manja od uvjetne vrijednosti umnoška varijabli *n* i *tc* iznosi se uvjet na izvršni član u algoritmu tj. izvršava se „TRIP“. U slučaju da su vrijednosti jednake algoritam se resetira, što znači da su oscilacije frekvencije oko početne vrijednosti frekvencije u sustavu.

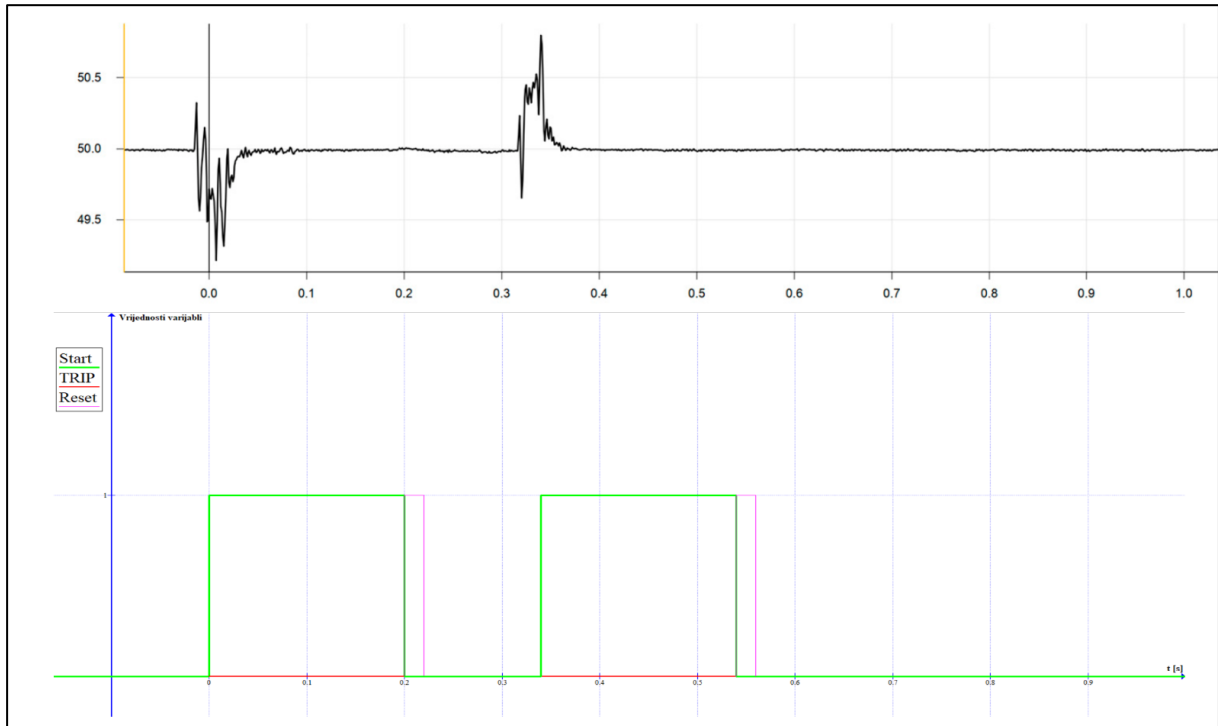
Izvršni član ima funkciju provjere uvjeta prisutnosti mjerenih veličina linijskog napona prema zadanim parametrima. Dodatno se provjerava da li projicirana vrijednost frekvencije odgovara varijablama *FH* i *FL* tj. da li je veća ili manja.

Ispunjenjem sva tri zahtjeva uvjetni član šalje signal na isključenje odnosno *TRIP operation* te resetira algoritam.

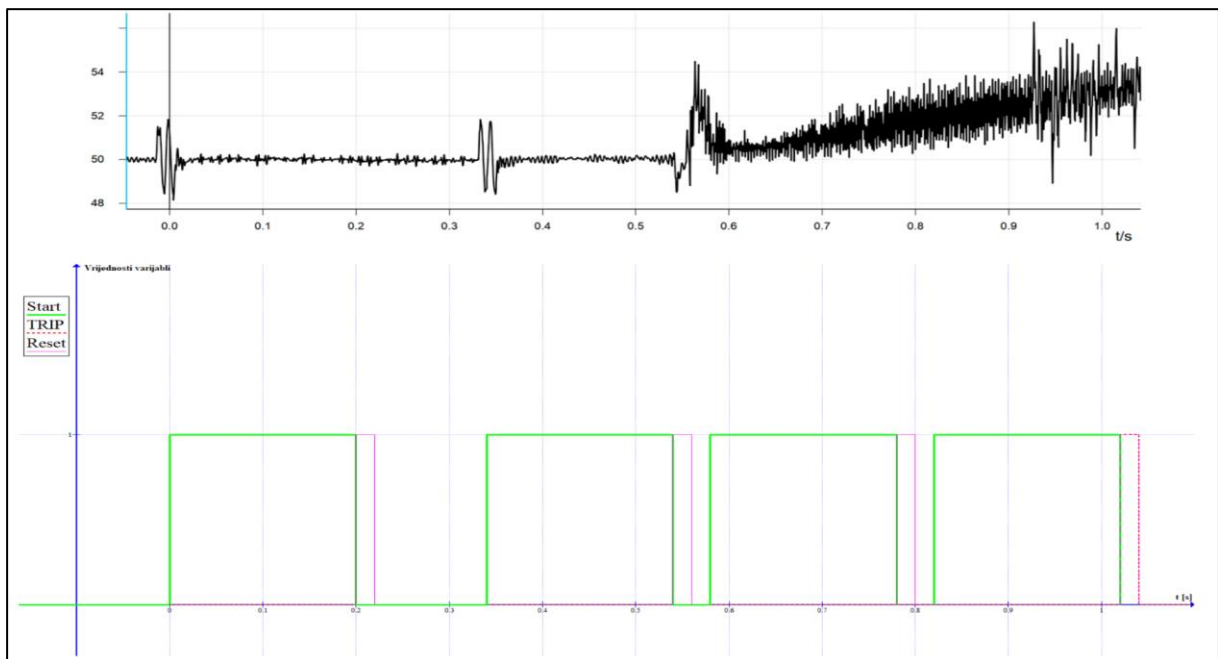
Na slikama 5.8 i 5.9 grafički je prikazan odaziv algoritma na istim primjerima kao i u prethodnom poglavlju.

Parametri algoritma za detekciju iznose 0.5 Hz/s dok je vrijeme zatezanja djelovanja odnosno provjere uvjeta u trajanju od 10 ciklusa tj. 0.2 s.

Primjer sa slike 5.8 prikazuje da za prolazni kvar algoritam pokreće *Start* funkciju u trenutku sljedeće periode od nastanka kvara što znači da vrijeme trajanja ciklusa odgovara vrijednosti većoj od postavljenog parametra i trenutku njegovog isključenja. Za vrijeme trajanja *Start* funkcije, kad je algoritam izvršio prebrojavanje po zadanom vremenskom odmaku tj. po zadanom broju perioda, nije bio zadovoljen uvjet odstupanja veće ili manje vrijednosti zbroja vremena trajanja mjerenih perioda u odnosu na projiciranu vrijednost *total* niti uvjeta odstupanja od vrijednosti projiciranih frekvencija. Sljedeći primjer je prikazan na slici 5.9 čiji je događaj također opisan u prethodnom poglavlju.



**Slika 5.8:** Prikaz frekvencija i napona pri kratkom spoju u mreži sa odazivom algoritma na vremenskoj osi

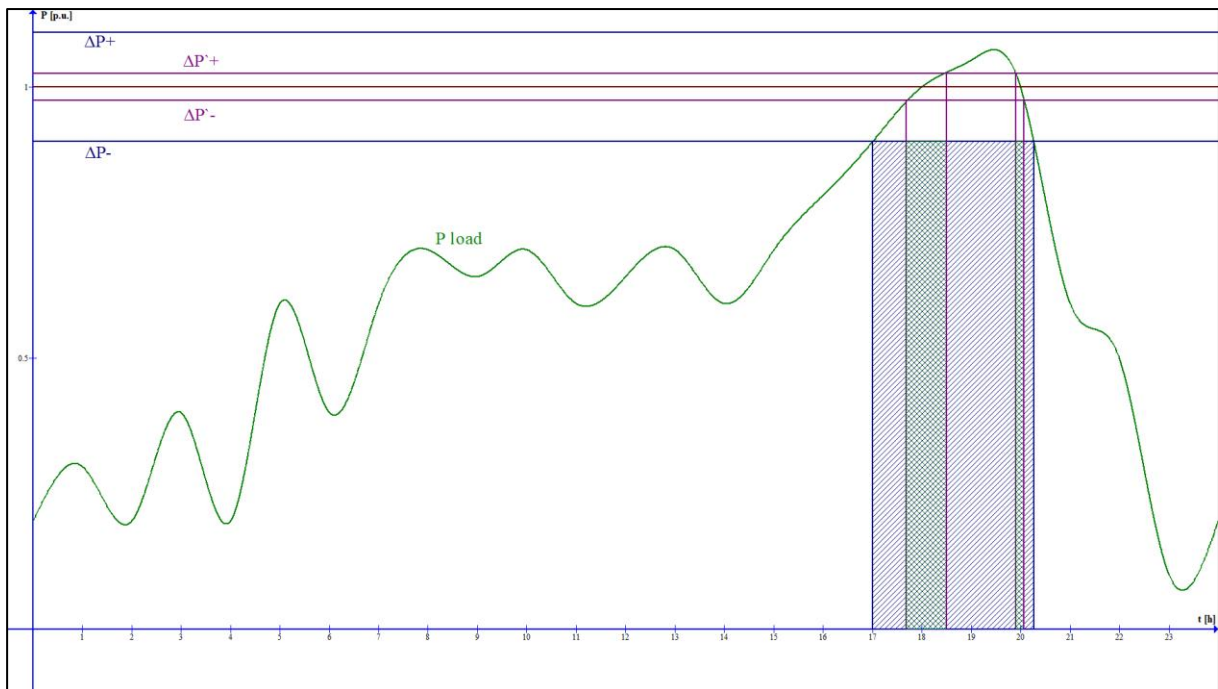


**Slika 5.9:** Prikaz frekvencija i napona pri kratkom spoju u mreži i pojavom otočnog pogona sa odazivom algoritma na vremenskoj osi

Rezultati sa slike 5.9 prikazuju pojavu *Start* i reset funkcije bez uvjeta na isključenje u tri navrata pri pojavi kratkog spoja, njegovog isklopa, ponovnog uklopa od funkcije APU-a. Četvrti *Start* algoritma završava zadovoljenjem uvjeta odstupanja ukupnog zbroja trajanja vremena ciklusa pri čemu on iznosi manje za projiciranu vrijednost trajanja ciklusa, dodatni

uvjet na usporedbu projicirane vrijednosti sa onom prilikom početka *Start*-a također je zadovoljen. Ovim stanjem, algoritam izdaje nalog za isključenjem i ponovno se resetira.

Prikaz utjecaja na zonu neosjetljivosti parametra postojeće metode i predstavljenog algoritma prikazan je na slici 5.10 gdje su prikazane zone nedetekcije tj. potrebni diferencijal radne snage za konvencionalnu metodu sa vrijednosti od 2 Hz/s i predstavljenog algoritma sa 0.5 Hz/s. Za primjer odabrana je kritična točka u sustavu kod koje postoji mogućnost nedetekcije u slučaju njezinog odvajanja od aktivne mreže po bazi snage od 1.p.u. Razliku u površinama osjenčanih dijelova definiramo kao doprinos smanjenju zone neosjetljivosti nove metode naspram stare.

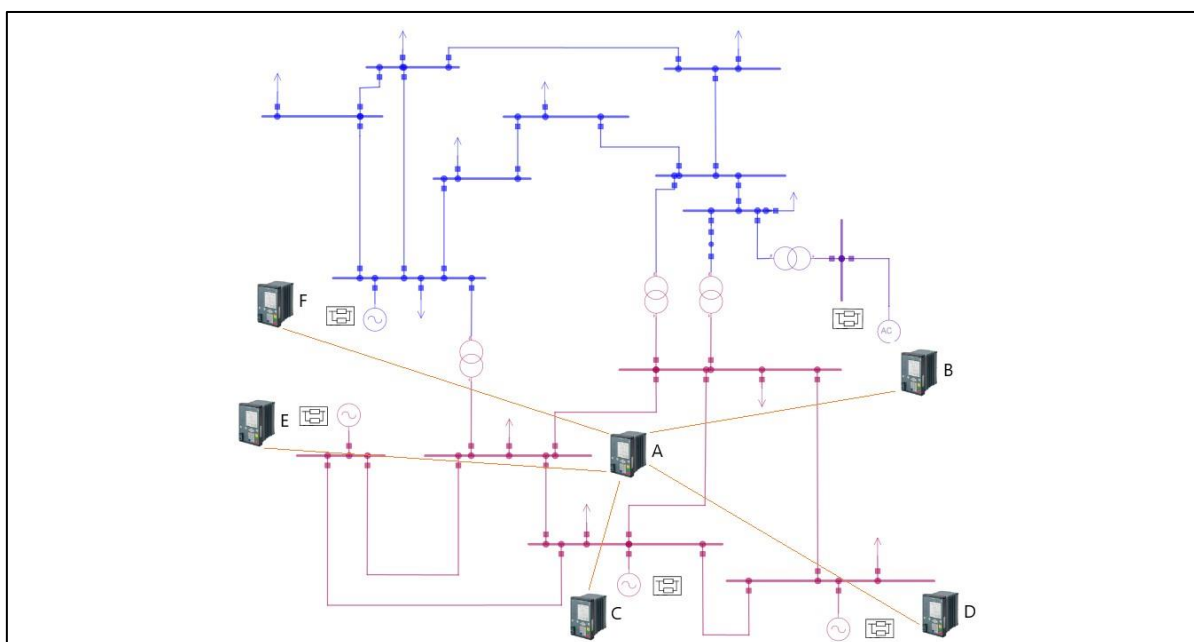


**Slika 5.10:** Prikaz zone zone neosjetljivosti postojeće pasivne i predstavljene metode

### 5.3 Algoritam diferencijalne zaštite frekvencije napona

U ovom poglavlju će biti prezentirana metoda detekcije otočnog pogona bazirana na detekciji diferencijala vrijednosti frekvencije napona. Kako je objašnjeno kroz ovaj rad, intenzivna integracija OIE u distribucijski i prijenosni sustav započeo je prije više od jednog desetljeća. Zaštita od otočnog pogona je i dalje obavezna i sve je teže održati njezinu učinkovitost povećanjem kompleksnosti EES-a. Dosadašnja iskustva u primjeni ROCOF i VS zaštita pokazala su da je vrlo tanka linija između krivih i neselektivnih prorada naspram uspješne detekcije otočnog pogona. Postojeća, a sigurno i u većoj mjeri buduća, legislativa obavezuje OIE na dinamički odaziv podržavanja sustava u domeni naponske i frekventne stabilnosti, mogućnosti automatskog i daljinskog upravljanja radnom i jalovom snagom i većom otpornošću na poremećaje i kvarove. Realizacijom informacijske i telekomunikacijske infrastrukture u tzv. „smart grid“ [59], osim razmjene standardnog seta telegrama između operatora i OIE, daje mogućnost i razmjenu procesnih mjerenih vrijednosti visoke rezolucije [60].

Principijelna shema komunikacije prikazana je na modelu mreže slikom 5.11. U osnovi, digitalizacija mreže, pripadnih trafostanica i OIE postiže se pomoću komunikacijskog protokola tj. norme IEC 61850-9-2 razmjenom signala i mjerenih vrijednosti putem procesne sabirnice (eng. Process-Bus). IEC 61850-9-2 norma definira tehničke parametre i pravila za razmjenu uzorkovanih mjernih veličina (eng. Communication Service Mapping- SCSM).



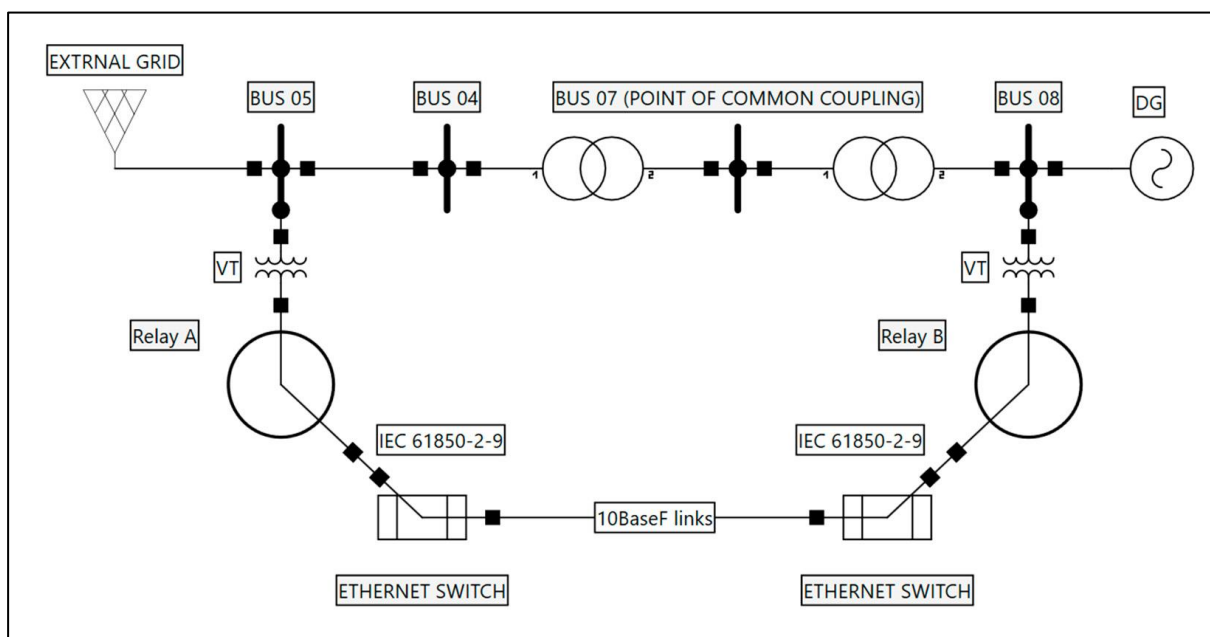
Slika 5.11: Principijelna shema komunikacije na modelu mreže

Parametri iz norme vrijede za sve uređaje i komunikacijsku opremu tj. moraju slijediti minimum zahtjeva za publiciranje logičke grupe koja distribuira uzorkovane mjerene veličine poput struja i napona pa tako i za one koji ih primaju.

Algoritam koji će biti predstavljen u ovom poglavlju koristi „živu“ razmjenu uzorkovanih veličina te ih koristi u realizaciji zaštite od otočnog pogona. U teoriji, način na koji ovaj algoritam funkcionira, može se realizirati i drugim protokolima. Kako se sva tehnička rješenja izvode po pravilima i normama tako se i ovdje primjenjuje spomenuta ostavljajući prostor ostalim mogućnostima koje se mogu primijeniti.

Kako je već spomenuto, glavna zadaća je razmjena tj. odašiljanje uzorkovanih vrijednosti mjerene frekvencije iz referentne točke u mreži do sučelja ili postrojenja OIE koristeći IEC 61850-9-2 protokol i iskoristiti ih zajedno sa lokalnim mjerenjima u funkciji algoritma diferencijalne zaštite frekvencije napona (kasnije u tekstu algoritam DZF).

Kao i kod svake vrste komunikacije i ovdje postoji vremenska zadržka između odaslane mjerene veličine i primljene veličine. Ovu zadržku nazivamo i komunikacijskom latencijom (eng. Synchronization latency). Vrijeme zadržke je potrebno samo na onoj strani koja prima mjerene veličine radi tzv. vremenskog poravnanja uzrokovanog fizičkim kašnjenjem prilikom dostave mjerenih vrijednosti. Kašnjenje postoji radi korištenja više vrsta opreme i samog medija komunikacije. Radi lakše predodžbe, tipična konfiguracija uređaja korištenih u razmjeni uzorkovanih mjerenih veličina prikazana je na slici 5.12. Svaki uređaj koji sudjeluje u komunikacijskoj petlji stvara određenu zadržku u slanju i konverziji signala.

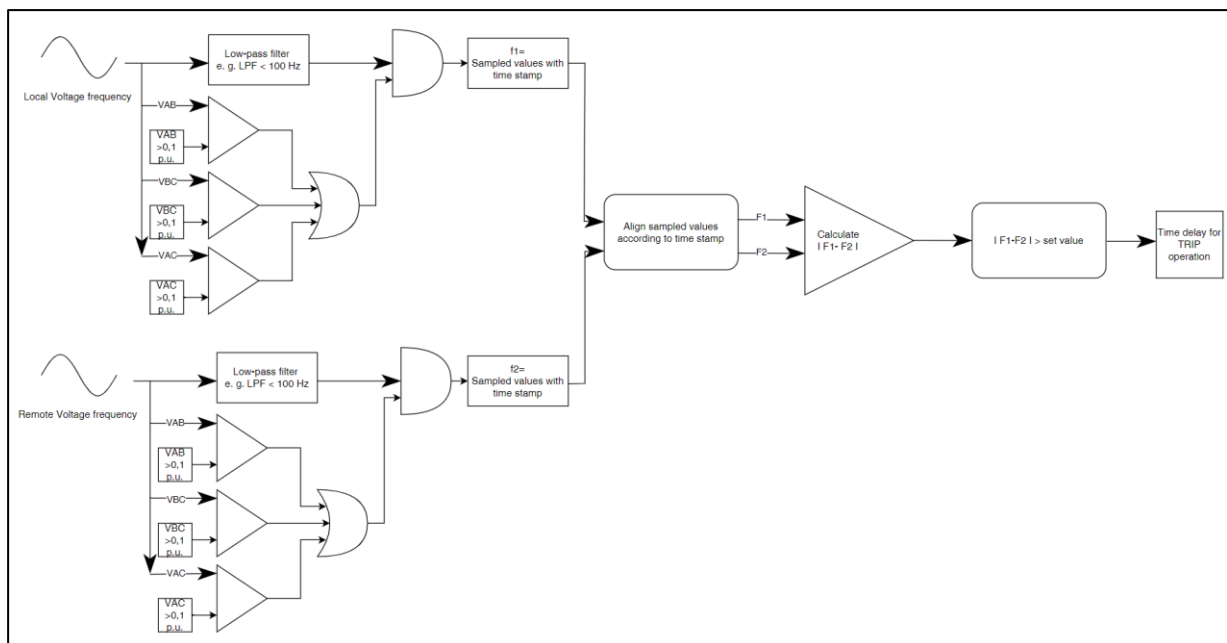


Slika 5.12: Konfiguracija komunikacijske petlje [61]

Na primjer zadržka od točke nastanka do točke primanja nastaje u optičkim razdjelnicima i vlaknima, LAN kabelima i sl. Bitno za nepomenuti je to da se vrijednosti zadržki po pojedinom elementu može izračunati ili/i izmjeriti npr. za optičko vlakno konstanta kašnjenja iznosi 5 ns/m.

U releju koji ima implementiran DZF algoritam postaje blokiran ako ne primi uzorkovanu mjerenu vrijednost od uređaja koji ju šalje za tzv. mrtvi period u trajanju od 4 ms. Kako je prikazano slikama 5.11 i 5.12, Relej A predstavlja uređaj koji publicira mjerenja na jedan ili više primatelja. Za potrebe pojašnjenja rada algoritma pretpostaviti će se da Relej A šalje samo uzorkovane mjerene vrijednosti frekvencije iz postrojenja u koje je ugrađen prema Releju B koji ih prima.

DZF algoritam je programiran u Siemens DIGSI 5 CFC editor alatu. Princip rada DZF algoritma je prikazan na slici 5.13. CFC alat se koristi za programiranje i izvođenje složenih programskih struktura koje uključuju funkcijske blokove i sheme kojima može dodjeliti vanjske i interne mjerene veličine.



**Slika 5.13:** Prikaz principa rada DZF algoritma

Kako je prikazano, ulazna validacija lokalnih i daljinskih mjerenja uvjetovana je postojanjem linijskih napona po sve tri faze u minimalnoj vrijednosti od 0.1 p.u. a u slučaju da su mjerene vrijednosti napona niže, DZF algoritam biva blokiran. CFC koristi uzorkovane mjerene veličine sa vremenskom oznakom nastanka (eng. Time stamp). Releji koji komuniciraju i razmjenjuju uzorkovana mjerenja putem procesne sabirnice su također vremenski sinkronizirani što jednostavno znači da im je procesorsko vrijeme identično. Vrijeme uzorkovanja može biti podešeno u rasponu od 80 do 256 uzoraka po jednoj periodu promjene napona u sustavima sa

nazivnom frekvencijom od 50 Hz. DZF koristi vrijednost od 80 uzoraka po periodu radi smanjenja upotrebe procesorske moći.

Relej B je u funkciji primatelja te direktno iz procesne sabirnice prosljeđuje primljena mjerenja frekvencije iz Releja A u CFC funkciju algoritma. Kako je spomenuto, prvi funkcijski blok u algoritmu prvo validira svoja lokalna mjerenja. Slijedeći funkcijski blok poravnava vrijednosti  $f1$ -frekvenciju primatelja i  $f2$ - frekvenciju odašiljatelja po istim vremenskim oznakama te izdaje varijable  $F1$  i  $F2$  u slijedeći funkcijski blok.

U slijedećem funkcijskom bloku računa se apsolutna razlika varijabli  $F1$  i  $F2$  koja se uspoređuje sa parametrom ulazne postavke DZF algoritma. Oaj blok ciklički prati da li je stanje apsolutnog diferencijala veće za vrijeme trajanja parametra vremenske postavke. U slučaju da je ovaj uvjet zadovoljen i da je apsolutni diferencijal cijelo vrijeme bio veći od zadane vrijednosti, algoritam izdaje naredbu isključenja. Za slučaj da je u periodu vremenske zadržke došlo do smanjenja vrijednosti diferencijala kod kojeg nije zadovoljen uvjet prorade algoritam se resetira čekajući ponovni uvjet tj. slučaj da je diferencijal veći.

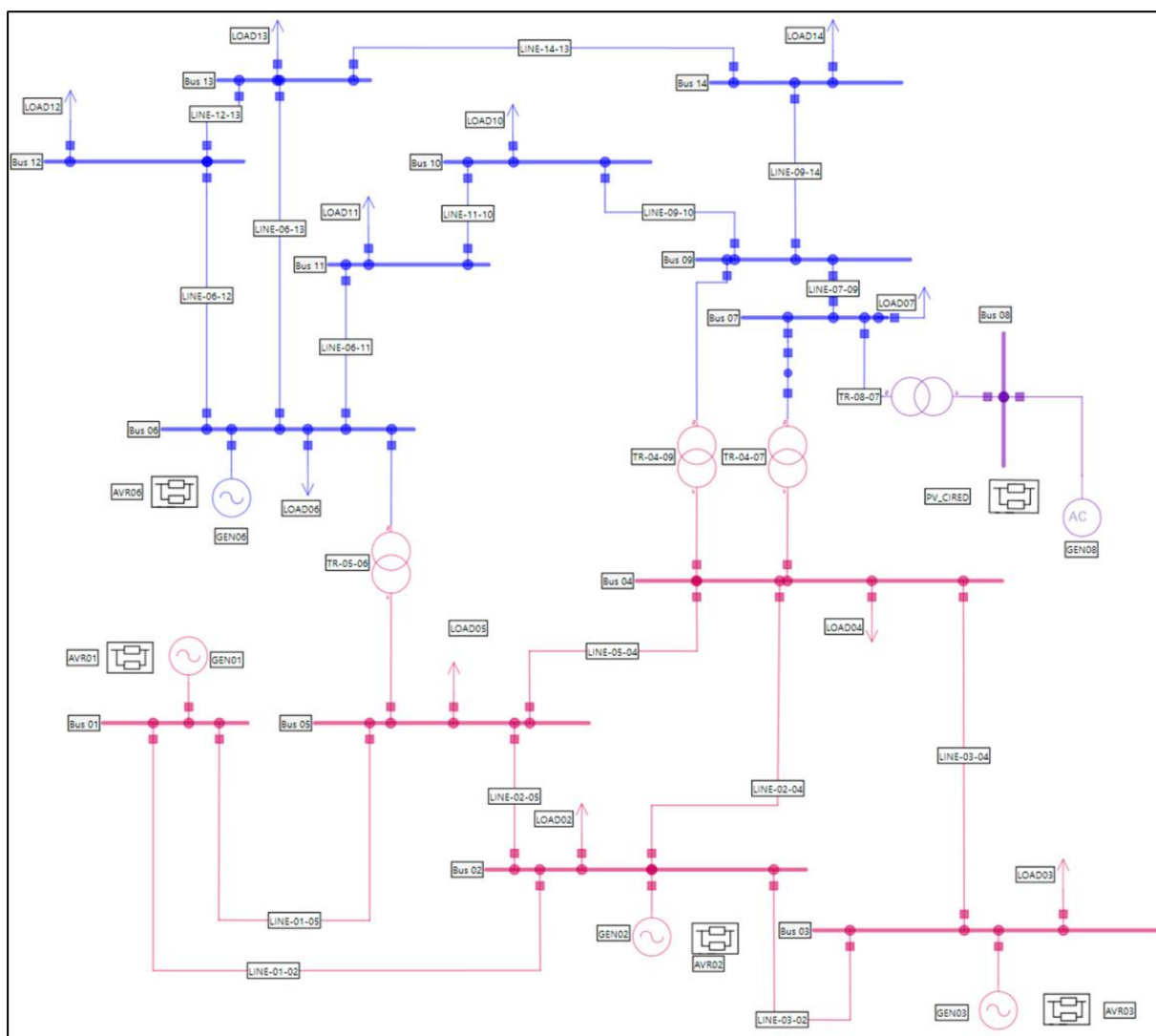
Parametri korišteni u DZF algoritmu u nastavku rada su:

- Vrijednost apsolutnog diferencijala frekvencije:  $F_{diff} = 0.2$  Hz
- Parametar vremenskog odmaka:  $tdelay = 0.1$  s

Velika prednost korištenja ove metode očituje se u tome da distribucija uzorkovane vrijedosti frekvencije ne ovisi o naponskom nivou mjesta nastanka i primanja, oni mogu biti različiti s obzirom da je frekvencija jedinstveni fizikalni parametar cijelog sustava.

## 5.4 Dinamička analiza modela mreže i verifikacija uspješnosti algoritma

U ovom poglavlju biti će prikazani rezultati dinamičkih analiza kvarova i scenarija pojave otkoňnog pogona na modificiranom modelu IEEE sa 14 sabirnica [62]. Model i same analize provedene su u programskom alatu NEPLAN V10.9.4.1.(eng. Network planning and analysis). NEPLAN, u sklopu zasebnog modula, ima mogućnost provođenja složenih elektromehaničkih (RMS) i elektromagnetskih (EMT) dinamičkih analiza kvarova i pogonskih događaja. Modul ima brzi i robustan programski kod (eng. Solver) za numeričku analizu velikih modela mreža izdavajući rezultate sa visokom točnošću i vremenskom rezolucijom. Model mreže je prikazan na slici 5.14.

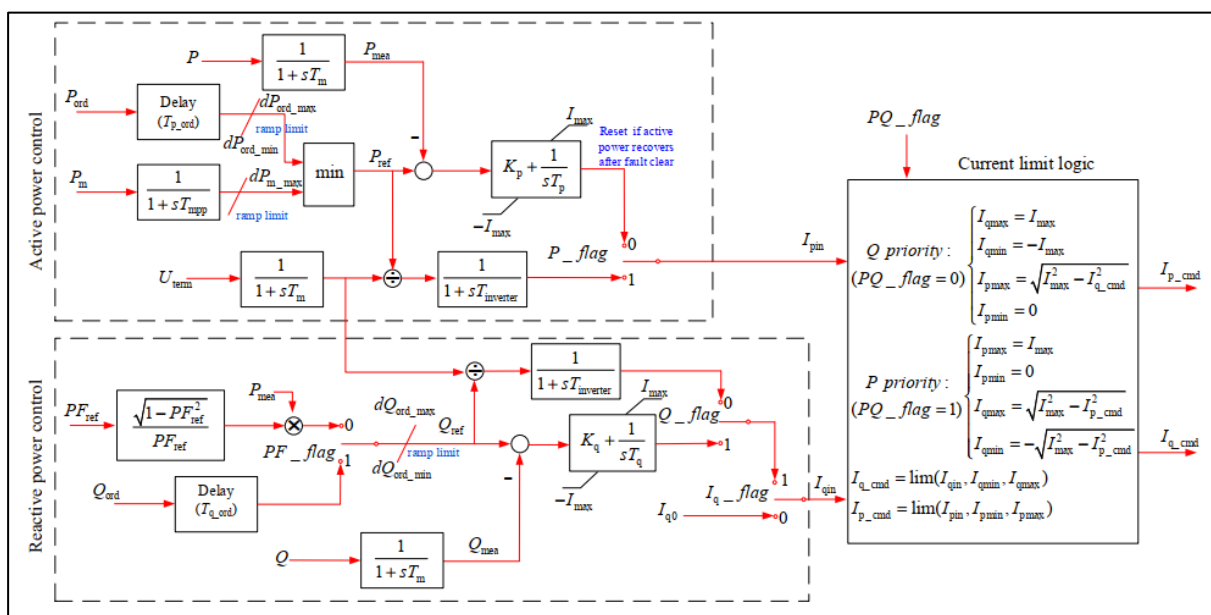


Slika 5.14: Prikaz modela mreže u NEPLAN-u

IEEE model sa 14 sabirnica predstavlja dobru aproksimaciju elektroenergetskog sustava sa osnovnim elementima i funkcijama aktivne mreže, prijenosa, distribucije i pogona proizvodnje



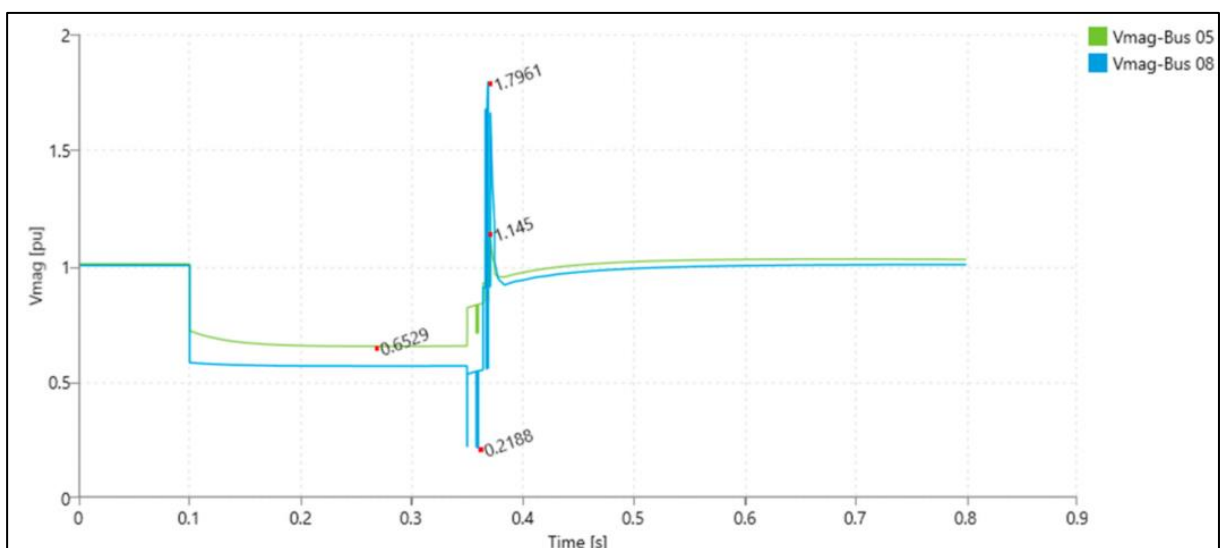
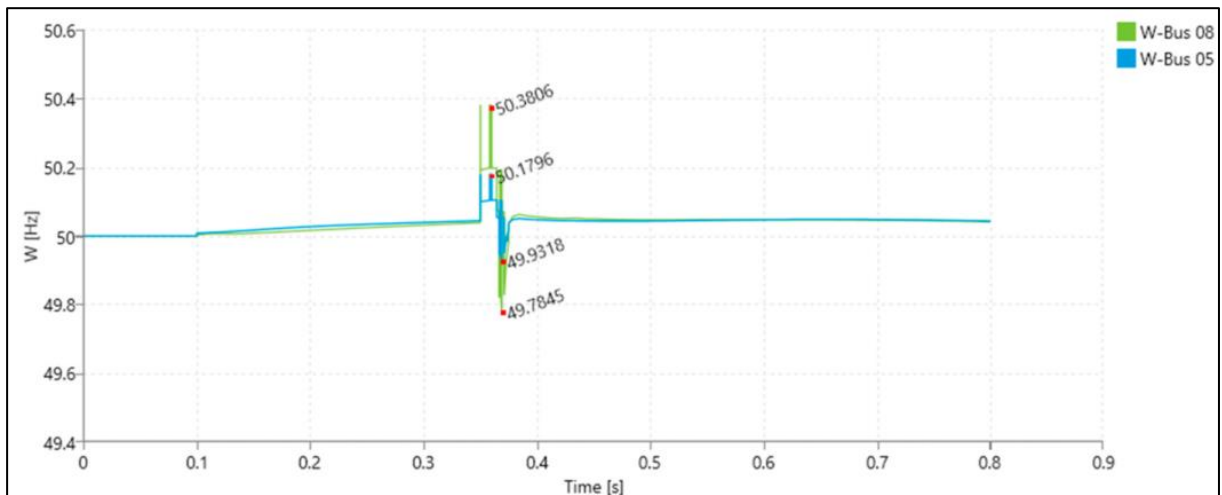
iz OIE. Modifikacije osnovnim parametrima modela su promjena frekvencije sustava na bazu od 50 HZ, GEN08 je modeliran kao modul energetskog parka (sunčana elektrana) maksimalne izlazne radne snage od 10 MW tj prividne snage 10 MVA. Za dinamički model uzbude kao i cijelog energetskog parka uzet je tzv. „Cired work group model“, slika 5.15 originalno u [63]. Od rezultata dinamičkih analiza očekuje se da indikativno prikažu parametre mreže pri kvarovima i poremećajima u usporedbi sa odazivom prezentiranih algoritama.



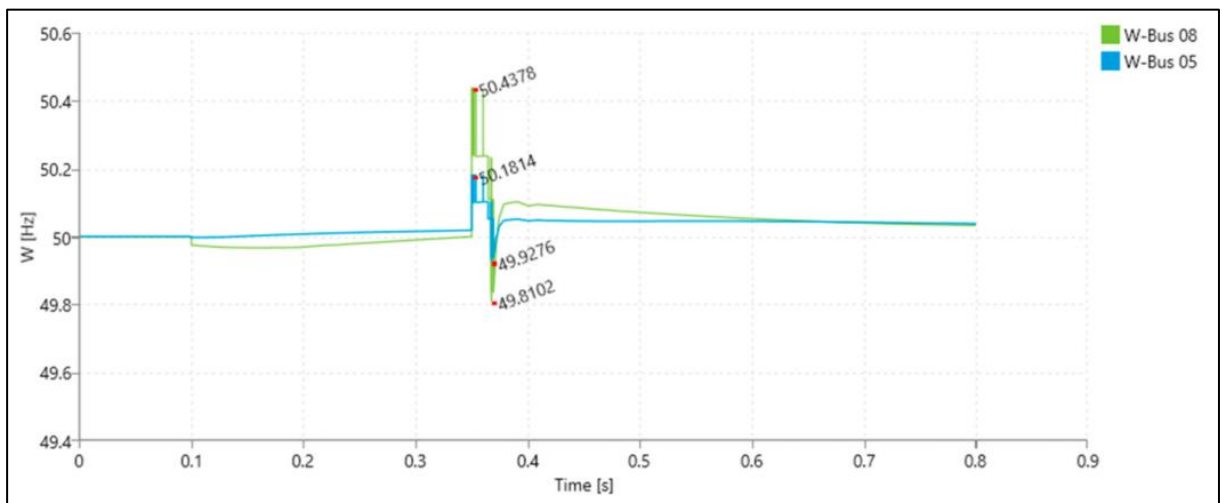
Slika 5.14: Dinamički model uzbude za GEN08

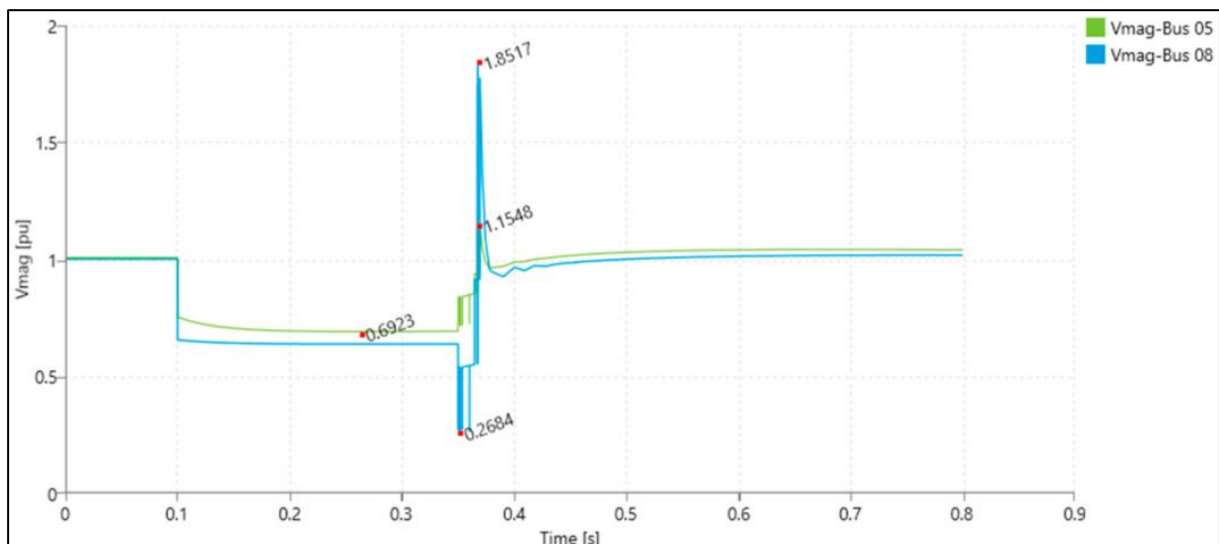
Dinamičke analize provedene su za dvije vrste događaja, kvarove na modelu i pojavu otočnog rada. Nastanak otočnog rada u analizama nije potaknut kvarovima u mreži nego je analiziran kao spontano stanje uzrokovano isključenjem dijela mreže sa DI. Analizama se pokušava simulirati stanje slično događajima iz uvida ovog poglavlja prikazanih na slikama 5.1 i 5.2. Osim dinamičkog odaziva na sabirnici elektrane-GEN08, za DZF algoritam naglasak je na vrijednostima na sabirnici –BUS05 koja služi kao referentna udaljena mjerna točka frekvencije.

U analizama prikazanim na slikama 5.15 i 5.16 za potrebe kvalitetnijeg prikaza inhibirane su pasivne zaštite (pod/nad frekventna i naponska). Diferencijal radne snage između GEN08 i LOAD07 iznosi + 5 % u korist proizvodnje za analizu prikazanu slikom 5.17 dok na slici 5.18 je prikazan primjer diferencijala u iznosu od -15 %. Pri analizama kratkih spojeva nagla promjena u frekvenciji uzrokovana je njegovim nastankom i samim djelovanjem prekidača koji izolira kvar kako je i prikazano primjerima osilograma snimljenih u stvarnoj mreži.

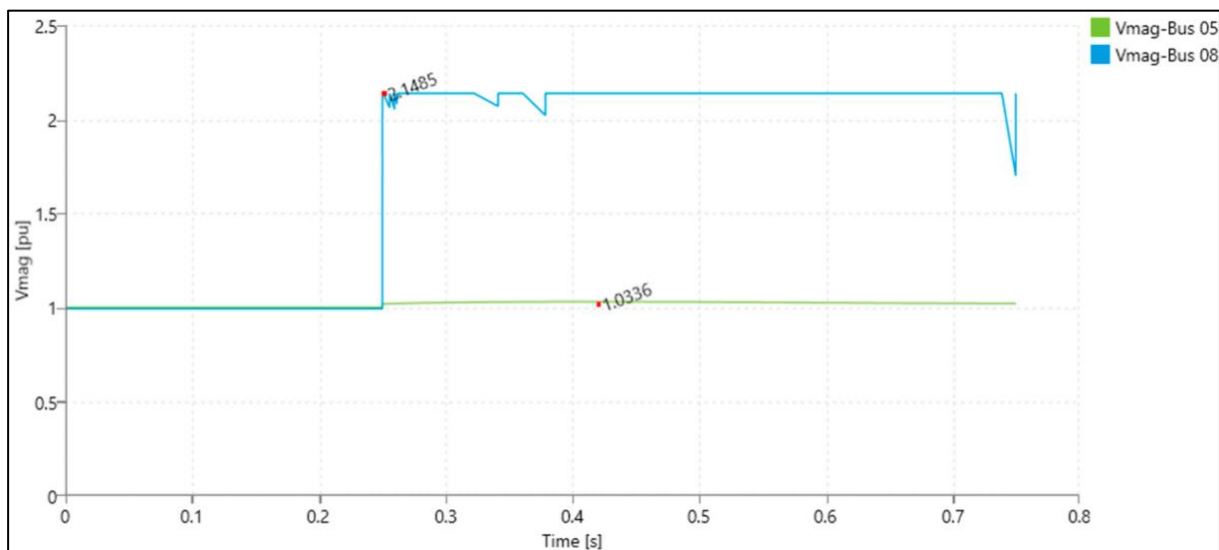
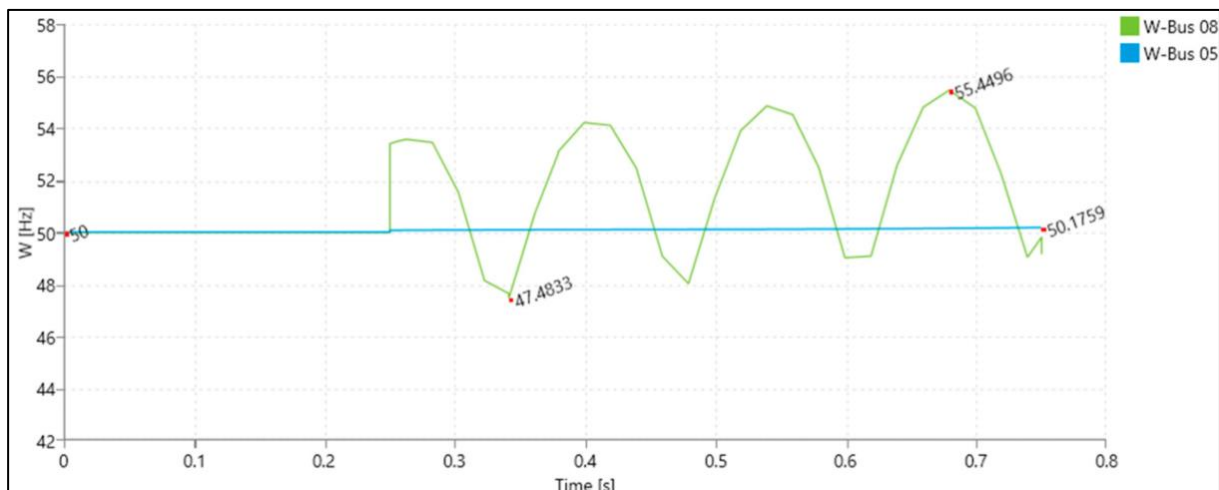


Slika 5.15: Prikaz frekvencije i napona pri pojavi kratkog spoja na sabirnici BUS14

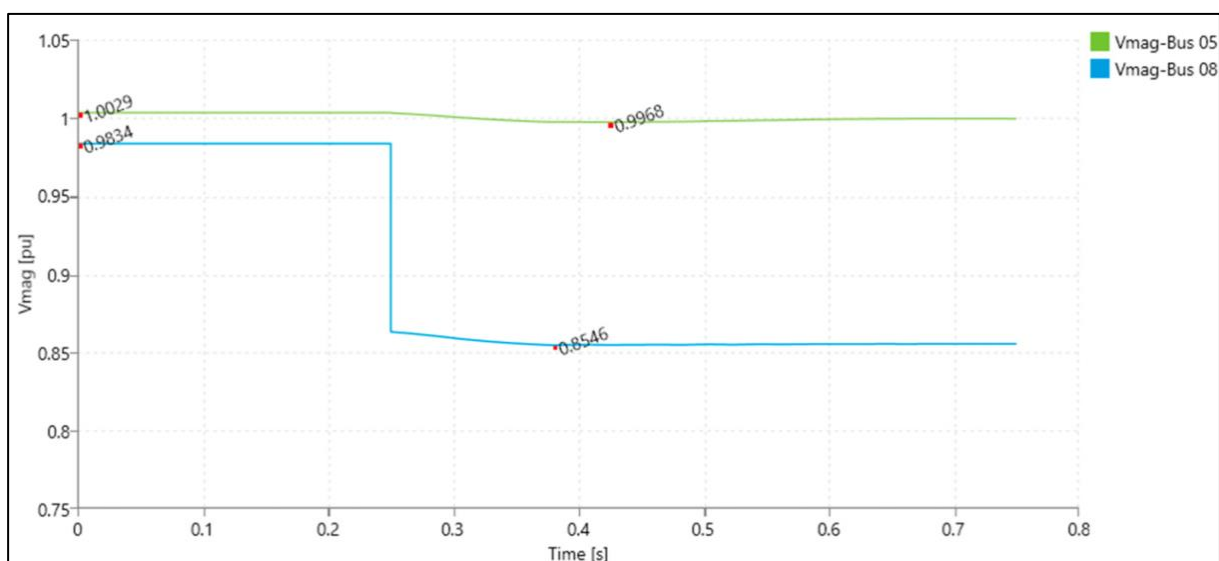
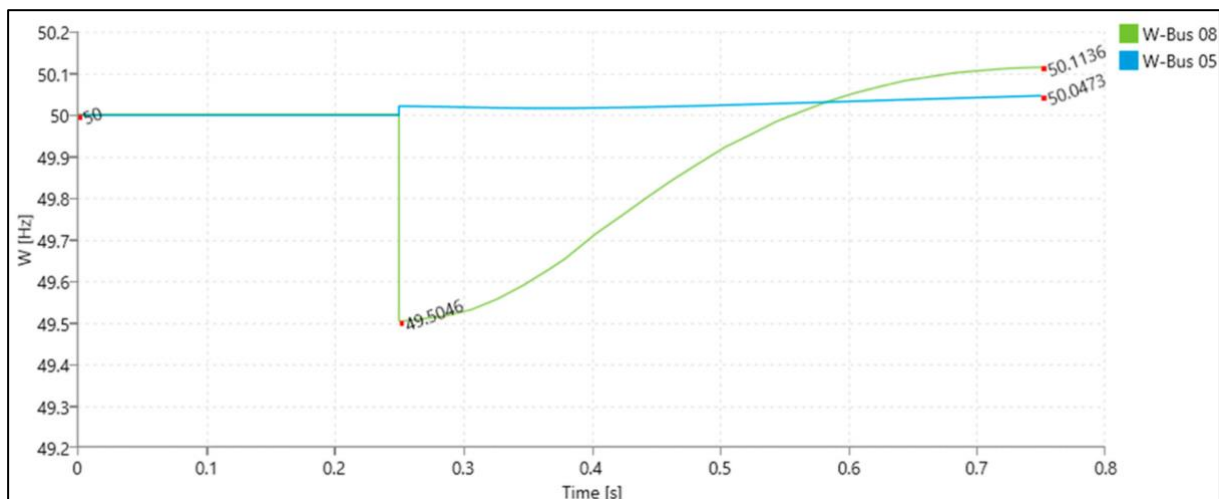




Slika 5.16: Prikaz frekvencije i napona pri pojavi kratkog spoja na sabirnici BUS10



Slika 5.17: Prikaz frekvencije i napona pri pojavi otočnog pogona sabirnica BUS05-08 sa GEN08



**Slika 5.18:** Prikaz frekvencije i napona pri pojavi otočnog pogona sabirnica BUS07-10 sa GEN08

Slika 5.15 prikazuje vremenski odaziv frekvencija i napona na sabirnicama BUS05 i BUS08 kao rezultat dinamičke simulacije pojave kratkog spoja na sabirnici BUS14 dok su na slici 5.16 prikazani rezultati za kratki spoj na sabirnici BUS10. Pregledom rezultata prva dva analizirana slučaja za zaključiti je da postoji značajna devijacija frekvencije i pojave pomaka vektora napona koji bi potaknuli start funkcija sva tri algoritma. Isključenjem i izolacijom kvara mjerena frekvencija na referentnoj i sabirnici OIE se stabilizira čime se anuliraju uvjeti starta u predlaganim algoritmima. Ova činjenica je još uočljivija za DZF algoritam iz razloga što su mjerene veličine poravnane i po vremenskoj oznaci. Resetiranje starta funkcija dokazuje imunitet sva tri algoritma na pojavu kvarova u mreži za koje ne postoji uvjet na isključenje tj. pojava otočnog pogona.

Za kvar sa slike 5.16, ROCOF i VS algoritmi za prvi period tj. period nastanka otočnog pogona imaju zadovoljen uvjet starta, no nakon vremenske odgode od 0.2 s on je resetiran. ROCOF i VS algoritmi imaju poticaj u drugoj instanci kada dođe do pomaka frekvencije iznad frekvencije sustava u referentnom vremenu nakon isključenja kvara. Kod DFZ algoritma ne dolazi do ponovnog uvjeta starta iz razloga što nakon isteka vremenske odgode ne postoji dovoljno veliki diferencijal frekvencije za poticanje isključenja tj. postojanje diferencijala i uvjeta starta traje sve do isključenja kvara.

Slika 5.17 prikazuje vrijednosti rezultata dinamičke analize na referentnoj sabirnici BUS05 i sabirnici elektrane BUS08 za pojavu otočnog pogona tereta LOAD07 i GEN08. Slika 5.18 prikazuje iste veličine samo za slučaj otočnog pogona GEN08 sa teretima LOAD07, LOAD10 i LOAD14. Rezultati analiza ova dva slučaja otočnog pogona dokazuju postojanje devijacije u frekvenciji na sabirnici GEN08 dok se frekvencija u sustavu neznatno promijeni. Potvrđeno je da na utjecaj smanjenja ili povećanja frekvencije ovisi o predznaku diferencijala radne snage. Ova korelacija potvrđuje ispravnost korištenja apsolutne vrijednosti diferencijala frekvencije u DZF algoritmu dok s druge strane postoji faktor utjecaja na ROCOF i VS algoritme.

Interpolacijom rezultata analiza u simulacijski alat, dobiveni su rezultati djelovanja sva tri algoritma koji su prikazani u tablici 5.1. Tablica prikazuje matricu incidencije pojavljivanja funkcija *Start* i *Trip* za sva tri predlagana algoritma. Za pojavu otočnog pogona ( u tablici događaj 3. i slika 5.17) ROCOF pokazuje bolju karakteristiku sa samo jednim resetom prije detekcije i isključenja. Za algoritam DZF rezultati zadovoljavaju a detekcije otočnog pogona te je za zaključiti da ima vrlo malu zonu nedjelovanja koja je pak ovisna o postavljenim parametrima.

**Tablica 5.1:** Matrica incidencije

Dogadaj	Algoritam					
	VS		ROCOF		DZF	
	<i>Start</i>	<i>Trip</i>	<i>Start</i>	<i>Trip</i>	<i>Start</i>	<i>Trip</i>
1.	1	Ne	1	Ne	1	Ne
2.	1	Ne	1	Ne	1	Ne
3.	4	Da	2	Da	1	Da
4.	1	Da	1	Da	1	Da

## 5.5 Laboratorijsko ispitivanje DZF algoritma

Najbolji način dokazivanja rada zaštitnih funkcija provodi se laboratorijskim ispitivanjima. U ovom poglavlju biti će prezentiran način integracije DZF algoritma, realizacija komunikacije procesne sabirnice, ispitne opreme i rezultati djelovanja. Simulirane mjerne veličine generirane su iz oscilograma prikazanih na slikam 5.1 i 5.2 iz uvoda gdje se ispituje odaziv DZF algoritma na događaje snimljene u mreži. Postava opreme korištene u ispitivanju je prikazana na slici 5.19.

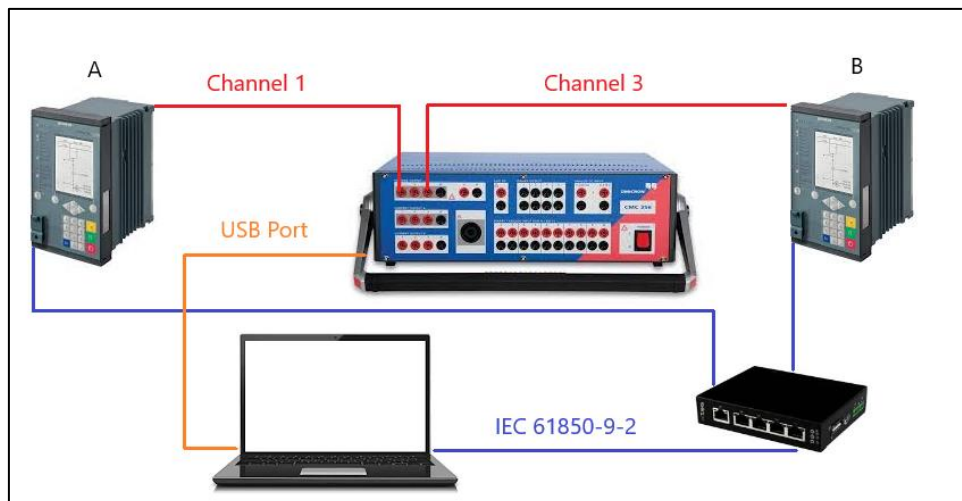


**Slika 5.19:** Laboratorijska postava opreme za ispitivanje

Prema opisu iz poglavlja 5.3 DZF algoritam je implementiran u dva Siemens 7SJ82 numerička releja. Programiranje funkcija algoritma provedeno je u Siemens DIGSI5 CFC programskom alatu te instalirana u tzv. Relej B. Relej A služi samo za slanje uzorkovanih mjerenih veličina prema Releju B po procesnoj sabirnici pomoću IEC 61850-9-2 protokola Lan kabelom. Slika 5.20 prikazuje komunikacijsku petlju te izvor generiranih signala mjernog napona. Simulacije generiraju mjerne napone po osciligrafskom zapisu poremećaja snimljenih u stvarnoj mreži. Generiranje napona je izvršeno preko uređaja Vebko AMT-150 čiji je prvi izlazni kanal priključen na naponske mjerne ulaze Releja A dok je drugi izlazni kanal priključen na naponske mjerne ulaze Releja B. Laboratorijsko ispitivanje odaziva DZF algoritma je vršeno po

vrijednosti jednog faznog napona. Ispitivanje je provođeno na više oscilografskih zapisa kvarova te su svi rezultati dokazali ispravno djelovanje DFZ algoritma. Vremensko poravnanje mjerenih veličina je vršeno po njihovim vremenskim oznakama dok je izvor sinkronizacije satova Releja A i B prijenosno računalo.

Sama procedura ispitivanja je izvršena na dva skupa postavnih vrijednosti. Prvi skup sadrži parametre DZF algoritma u vrijednosti od 0.1 Hz za diferencijal frekvencije i vremenskom odgodom od 0.25 s dok drugi ima 0.4 Hz i 0.1 s. Pri ispitivanju svakog skupa postavnih vrijednosti dodatno su aktivirani postojeći stupnjevi ROCOF zaštita u Releju B radi usporedbe rezultata. Parametri dodatnih zaštita, za ROCOF 1 postavna vrijednost iznosi 2 Hz/s sa vremenom djelovanja 0 s, ROCOF 2 ima postavne vrijednosti 0.5 Hz/s i vremenski odmak od 0.1 s. Aktivacija dva dodatna ROCOF stupnja prikazati će postojanje krivih prorada naspram djelovanja DZF algoritma.



**Slika 5.20:** Komunikacijska petlja korištena u laboratorijskom ispitivanju

Za lakše razumijevanje, oscilogrami sa slika 5.1 i 5.2 podijeljeni su u tri sekcije gdje je Sekcija 1 u trajanju od 0.1-0.25 s, Sekcija 2 u trajanju od 0.25 -0.5 s i Sekcija 3 u trajanju od 0.5-1 s. Svaka od sekcija prati pojavu određenog događaja u mreži, Sekcija 1 sadrži pojavu kratkog spoja, Sekcija 2 isključenje i izoliranje kvara dok Sekcija 3 predstavlja otočni pogon.

Tablica 5.2 daje rezultate vremena djelovanja svakog stupnja zaštita za pojedinu sekciju simulacije kvara iz vremenskog zapisa procesa releja. Pod djelovanjem smatra se ukupno vrijeme detekcije, validacije i vremena proteklog do izdavanja naloga za isključenje. Vremena i incidencija signala isključenja daju zaključak da algoritam DZF, premda sa malim iznosima diferencijala frekvencije, ispravno odlučuje da li je OIE u otočnom pogonu ili nije.

**Tablica 5.2:** Rezultati ispitivanja

<b>Zaštita</b>	<b>Sekcija 1 Trip vrijeme</b>	<b>Sekcija 2 Trip vrijeme</b>	<b>Sekcija 3 Trip vrijeme</b>
ROCOF 1	45 ms	44 ms	46 ms
ROCOF 2	Bez	104 ms	106 ms
DZF 1	Bez	Bez	257 ms
DZF 2	Bez	Bez	108 ms

Vremena i incidencija signala isključenja daju zaključak da algoritam DZF, premda sa malim iznosima diferencijala frekvencije, ispravno odlučuje da li je OIE u otočnom pogonu ili nije.

Pozitivni rezultat laboratorijskog ispitivanja daje implikaciju na mogućnost integracije DZF algoritma u infrastrukturu gdje već postoji komunikacija putem protokola IEC 61850-9-2. Kako je spomenuto u uvodnim poglavljima, proces integracije OIE u distribucijsku mrežu je uvjetovan realizacijom razmjene informacija preko navedenog komunikacijskog protokola što se i trenutno provodi. Potrebno je samo definirati referentnu točku u sustavu koja će objavljivati uzorkovane mjerene veličine frekvencije i dostaviti ih na sučelje OIE sa mrežm na kojem se nalazi kompatibilni relej u kojeg je moguće programirati DZF algoritam. U slučaju takve integracije potrebno je provesti verifikaciju ispravnosti dostavljenih tj. primljenih uzorkovanih mjernih veličina. Drugi korak predstavlja sekundarnu injekciju simuliranih mjerenja i ispitivanje djelotvornosti algoritma na terenu. Injekcija mora imati dva stupnja provjere od kojih prvi simulira nadfrekventno stanje dok drugi podfrekventno.



# Poglavlje 6

## Zaključak

Razvojem novih tehnologija te težnji i obavezi za smanjenjem emisija CO<sub>2</sub>, povećava se broj obnovljivih izvora energije integriranih u distribucijsku mrežu. Doprinos sve veće integracije dovodi do povećanja same složenosti elektroenergetskog sustava pogotovo na sustav električne zaštite. Električna zaštita pripada skupini kritičnih sustava bez kojeg je danas nezamislivo voditi pogon distribucijske te bilo koje mreže i instalacije. Dosadašnja paradigma električne zaštite više ne vrijedi nego ju je potrebno konstantno mijenjati na način da svojim postojećim i novim funkcijama štiti od poremećaja i kvarova u mreži. U kategoriju najzahtjevnijih zaštitnih funkcija svakako spada zaštita od otočnog pogona koja je i tema ovog rada. Otočni pogon definiramo kao nedozvoljeno i potencijalno opasno pogonsko stanje dijela mreže koji je sa svojim teretom namjerno ili nenamjerno ostao napajan od strane jednog ili više obnovljivih izvora. Takvo pogonsko stanje predstavlja potencijalnu ugrozu za opremu svih korisnika mreže u otočnom radu, potrošača i postrojenja proizvodnje obnovljive energije.

Predstavljen je utjecaj obnovljivih izvora na elektroenergetski sustav od kojih je najveći naglasak na doprinosu strujama kratkog spoja, nagle promjene smjera struje s tokom električne energije, pojava neselektivnih ili krivih prorada zaštita i sl. Od ostalih mogu se izdvojiti utjecaj na stalno periodički iskrivljavanje napona u mreži, automatsku regulaciju te pojavu propada ili porasta napona.

Nabrojane su i opisane dosadašnje metode zaštite od otočnog pogona koje su u upotrebi. Metode detekcije i djelovanja zaštite od otočnog pogona u osnovi dijelimo na dvije glavne cjeline lokalne i daljinske. Lokalne metode se dalje dijele na aktivne pasivne i hibridne metode dok se daljinske dijele na komunikacijske, signalne i metode bazirane na umjetnoj inteligenciji. Uspješnost bilo koje metode detekcije otočnog pogona kvalificira se s vrijednosti veličine zone neosjetljivosti. Istraživanje u ovom radu temelji se analizi rada metoda detekcije pomaka vektora napona i brzine promjene frekvencije kao stožernih zaštita korištenih za detekciju otočnog rada.

Cilj ovog rada je razvoj novih i poboljšanih algoritama tj. metoda detekcije pojave otočnog pogona u distribucijskoj mreži, premda primjena ne mora biti specifično ograničena. Predstavljen je princip rada algoritama pomaka vektora napona i brzine promjene frekvencije sa poboljšanom karakteristikom. Rezultati analiza djelovanja i numeričkih simulacija

opravdavaju njihovu djelotvornost. Kao zaključak, algoritmi sa poboljšanom karakteristikom imaju svojstvo da ne isključuju na poremećaje u mreži kod kojih nije postignut uvjet otočnog rada. Predložene promjene u funkciji algoritma dovodi do primjenjivosti nižih vrijednosti parametara od konvencionalnih zaštita čime se smanjuje njihova zona neosjetljivosti u odnosu na postojeće

Prezentiran je način rada novog algoritma baziranog na zaštiti od diferencijala frekvencije napona. Algoritam je ovisan o realizaciji komunikacijske infrastrukture koja se ionako povećava skoro sa svakim novim obnovljivim izvorom i procesom digitalizacije distribucijske mreže. Koristi razmjenu mjerenih vrijednosti putem procesne sabirnice protokolom IEC 61850-9-2. Kao i kod predlaganih algoritama sa poboljšanom karakteristikom, ovaj algoritam je testiran simulacijama i numeričkim analizama modela mreže. Dodatno je programiran i ispitan u laboratorijskim uvjetima provođenjem mjernih simulacija snimljenih poremećaja u stvarnoj mreži. Rezultati potvrđuju ideju i namjenu ovog algoritma da uspješno detektira samo otočni rad dok je s druge strane imun na poremećaje u mreži kod kojih nije uvjet otočnog pogona.

Daljnje istraživanje ove disertacije nastavlja se na način da predloženi algoritmi za detekciju pomaka vektora napona i brzine promjene frekvencije sa poboljšanom karakteristikom budu implementirani u obliku novih zaštitnih funkcija u numeričke releje te testirani u stvarnim uvjetima. Što se tiče algoritma diferencijala frekvencije napona, on je već programiran i integriran u postojeći tip numeričkih releja te samo preostaje ispitati mogućnost korištenja drugih komunikacijskih kanala i protokola.

## Literatura

1. Yang, L., Yu, J., Guo, Y., Chen, S., Tan, K. and Li, S. (2023). An Electrode-Grounded Droplet-Based Electricity Generator (EG-DEG) for Liquid Motion Monitoring. In *Advanced Functional Materials* (Vol. 33, Number 36). Wiley. <https://doi.org/10.1002/adfm.202302147>
2. Rojnić, M., Prenc, R., Topić, D. and Saulig, N. (2023). Overcurrent relay optimization in a radial distribution network considering different fault locations. In *Electrical Engineering* (Vol. 105, Number 2, 1093–1109. pp.). Springer Science and Business Media LLC. <https://doi.org/10.1007/s00202-022-01718-x>
3. Rojnić, M., Prenc, R., Topić, D. and Strnad, I. (2023). A new methodology for optimization of overcurrent protection relays in active distribution networks regarding thermal stress curves. In *International Journal of Electrical Power & Energy Systems* (Vol. 152, 109216. p.). Elsevier BV. <https://doi.org/10.1016/j.ijepes.2023.109216>
4. Meskin, M., Domijan, A., & Grinberg, I. (2020). Impact of distributed generation on the protection systems of distribution networks: analysis and remedies – review paper. In *IET Generation, Transmission & Distribution* (Vol. 14, Issue 24, pp. 5944–5960). Institution of Engineering and Technology (IET). <https://doi.org/10.1049/iet-gtd.2019.1652>
5. Usama, M., Mokhlis, H., Moghavvemi, M., Mansor, N. N., Alotaibi, M. A., Muhammad, M. A., & Bajwa, A. A. (2021). A Comprehensive Review on Protection Strategies to Mitigate the Impact of Renewable Energy Sources on Interconnected Distribution Networks. In *IEEE Access* (Vol. 9, pp. 35740–35765). Institute of Electrical and Electronics Engineers (IEEE). <https://doi.org/10.1109/access.2021.3061919>
6. Islam, K., Kim, D., & Abu-Siada, A. (2024). A review on adaptive power system protection schemes for future smart and micro grids, challenges and opportunities. In *Electric Power Systems Research* (Vol. 230, p. 110241). Elsevier BV. <https://doi.org/10.1016/j.epsr.2024.110241>
7. Ekonomou, L., Fotis, G. P., Vita, V., & Mladenov, V. (2016). Distributed Generation Islanding Effect on Distribution Networks and End User Loads Using the Master-Slave Islanding Method. In *Journal of Power and Energy Engineering* (Vol. 04, Issue 10, pp. 1–24). Scientific Research Publishing, Inc. <https://doi.org/10.4236/jpee.2016.410001>

8. 'IEEE Standard for Interconnection and Interoperability of Distributed Energy Resources with Associated Electric Power Systems Interfaces'. IEEE. doi: 10.1109/ieeestd.2018.8332112.
9. M.-S. Kim, R. Haider, G.-J. Cho, C.-H. Kim, C.-Y. Won, and J.-S. Chai, 'Comprehensive Review of Islanding Detection Methods for Distributed Generation Systems', *Energies*, vol. 12, no. 5. MDPI AG, p. 837, Mar. 04, 2019. doi: 10.3390/en12050837.
10. Cebollero, J. A., Cañete, D., Martín-Arroyo, S., García-Gracia, M. and Leite, H. (2022). A Survey of Islanding Detection Methods for Microgrids and Assessment of Non-Detection Zones in Comparison with Grid Codes. In *Energies* (Vol. 15, Number 2, 460. p.). MDPI AG. <https://doi.org/10.3390/en15020460>
11. D. Motter and J. C. M. Vieira, 'Improving the islanding detection performance of passive protection by using the undervoltage block function', *Electric Power Systems Research*, vol. 184. Elsevier BV, p. 106293, Jul. 2020. doi: 10.1016/j.epsr.2020.106293.
12. Anne, R., Basha, F. K., Palaniappan, R., Oliver, K. L., & Thompson, M. J. (2014). Reliable generator islanding detection for industrial power consumers with on-site generation. In 2014 IEEE Petroleum and Chemical Industry Technical Conference (PCIC). 2014 IEEE Petroleum and Chemical Industry Technical Conference (PCIC). IEEE. <https://doi.org/10.1109/pcicon.2014.6961894>
13. Vieira, J. C. M., Freitas, W., Wilsun Xu, & Morelato, A. (2008). An Investigation on the Nondetection Zones of Synchronous Distributed Generation Anti-Islanding Protection. In *IEEE Transactions on Power Delivery* (Vol. 23, Issue 2, pp. 593–600). Institute of Electrical and Electronics Engineers (IEEE). <https://doi.org/10.1109/tpwrd.2007.915831>
14. Yu, B. (2022). Anti-Islanding Method Development Based on Reactive Power Variation under Grid Support Environments. In *Applied Sciences* (Vol. 12, Number 18, 9074. p.). MDPI AG. <https://doi.org/10.3390/app12189074>
15. Mastromauro, R. A. (2020). Grid Synchronization and Islanding Detection Methods for Single-Stage Photovoltaic Systems. In *Energies* (Vol. 13, Issue 13, p. 3382). MDPI AG. <https://doi.org/10.3390/en13133382>
16. A. Shukla, S. Dutta, P. K. Sadhu, and B. Dey, 'An island detection methodology with protection against cyber attack', *Microsystem Technologies*. Springer Science and Business Media LLC, Jan. 22, 2024. doi: 10.1007/s00542-023-05596-6.
17. Yang, F., Lei, Y., Chen, H., Yang, Z., Xu, H., Chen, H. and Chen, Y. (2023). An Anti-Islanding Protection Method Based on Voltage-Synchronous Impedance Angle

- Measurements. In *Energies* (Vol. 16, Number 20, 7139. p.). MDPI AG. <https://doi.org/10.3390/en16207139>
18. Khichar, S., & Lalwani, M. (2018). An Analytical Survey of the Islanding Detection Techniques of Distributed Generation Systems. In *Technology and Economics of Smart Grids and Sustainable Energy* (Vol. 3, Issue 1). Springer Science and Business Media LLC. <https://doi.org/10.1007/s40866-018-0041-1>
  19. Commission Regulation (EU) 2016/631 of 14 April 2016 establishing a network code on requirements for grid connection of generators (Text with EEA relevance) (OJ L 112 27.04.2016, p. 1, ELI: <http://data.europa.eu/eli/reg/2016/631/oj>)
  20. European Commission, Directorate-General for Energy, Ali, M., Makki, E., Cazal, C. et al., Implementation of the network code on requirements for grid connection of generators – Final report, Publications Office, 2021, <https://data.europa.eu/doi/10.2833/235293>
  21. Shrestha, A., Kattel, R., Dachhepatic, M., Mali, B., Thapa, R., Singh, A., Bista, D., Adhikary, B., Papadakis, A., & Maskey, R. K. (2019). Comparative Study of Different Approaches for Islanding Detection of Distributed Generation Systems. In *Applied System Innovation* (Vol. 2, Issue 3, p. 25). MDPI AG. <https://doi.org/10.3390/asi2030025>
  22. W. Freitas, Z. Huang, W. Xu, "A practical method for assessing the effectiveness of vector surge relays for distributed generation applications", *IEEE Transactions on Power Delivery*, vol. 20. no. 1, pp. 57-63, 2005. Cebollero, J. A., Cañete, D., Martín-Arroyo, S., García-Gracia, M., & Leite, H. (2022). A Survey of Islanding Detection Methods for Microgrids and Assessment of Non-Detection Zones in Comparison with Grid Codes. In *Energies* (Vol. 15, Issue 2, p. 460). MDPI AG. <https://doi.org/10.3390/en15020460>
  23. W. Freitas, W. Xu, C. M. Affonso, and Z. Huang, 'Comparative Analysis Between ROCOF and Vector Surge Relays for Distributed Generation Applications', *IEEE Transactions on Power Delivery*, vol. 20. no. 2. Institute of Electrical and Electronics Engineers (IEEE), pp. 1315–1324, Apr. 2005. doi: 10.1109/tpwrd.2004.834869.
  24. D. Nevečerel: "Proračun kratkog spoja u mreži Hrvatske 2005. i 2010. godine" , Institut za elektroprivredu i energetiku, ožujak 1999. IEC 60909-0, Short-Circuit Currents in Three Phase AC Systems Part 0: Calculation of currents. 2016.
  25. Keller, J., Kroposki, B.D.: 'Understanding Fault Characteristics of Inverter-Based Distributed Energy Resources', National Renewable Energy Laboratory, January 2010.
  26. IEEE Std 141-1993.: 'IEEE recommended practice for electric power distribution for industrial plants', April 1994, pp. 109–184

27. Hooshyar, H., Baran, M.E.: Fault Analysis on distribution feeders with high penetration of PV systems. *IEEE Trans. Power Syst.* 28(3), 2890–2896 (2013).
28. Alstom: Network Protection and Automation Guide, 2011, ISBN: 978-0-9568678-0-3.
29. George, S.P., Ashok, S.: ‘Multiagent based adaptive relaying for distribution network with distributed generation’. *Int. Conf. on Energy, Power and Environment: Towards Sustainable Growth (ICEPE)*, Shillong, 2015, pp. 1–6.
30. Ogden, R., Yang, J.: ‘Impacts of distributed generation on low-voltage distribution network protection’. *50th Int. Universities Power Engineering Conf. (UPEC)*, 1–4 September 2015, pp. 1–6.
31. Mrežna pravila distribucijskog sustava. HEP Operator distribucijskog sustava, NN 74/2018, 2018.
32. Matišić, Z.; Havelka, J.; Bolfek, M.; Marušić, A. Vector Surge and Rocof Protection Algorithms for Distributed Generator Islanding Detection’, *Mediterranean Conference on Power Generation, Transmission, Distribution and Energy Conversion (MEDPOWER 2018)*; Institution of Engineering and Technology: London, UK, 2018.
33. Bhatraj Anudeep, Paresh Kumar Nayak “A passive islanding detection technique for distributed generations”, *7th International Conference on Power Systems*, pp: 732-736, 2017.
34. Ch. Rami Reddy, K. Harinadha Reddy “Islanding detection techniques for grid integrated distributed generation- A review” *International journal of renewable energy research* Vol.9, No.2, June, 2019.
35. Bikiran Guha, Rami J. Haddad, Youakim Kalaani “A novel passive islanding detection technique for converter based distributed generation systems”, *IEEE Power & Energy Society Innovative Smart Grid Technologies Conference*, pp: 1-5, 2015.
36. Bharti, I. P., Singh, N. K., Gupta, O. H., & Singh, A. K. (2021). Developments in Islanding Detection and Its Comparison: A Comprehensive Review. In *2021 IEEE 8th Uttar Pradesh Section International Conference on Electrical, Electronics and Computer Engineering (UPCON)*. 2021 IEEE 8th Uttar Pradesh Section International Conference on Electrical, Electronics and Computer Engineering (UPCON). IEEE. <https://doi.org/10.1109/upcon52273.2021.9667656>
37. J. Vieira, W. Freitas, Z. Huang, W. Xu and A. Morelato, "Formulas for predicting the dynamic performance of ROCOF relays for embedded generation applications", *IEE Proceedings - Generation, Transmission and Distribution*, vol. 153, no. 4, p. 399, 2006.

38. Bugdal, R., Dysko, A., Burt, G. M., & McDonald, J. R., “Performance analysis of the ROCOF and vector shift methods using a dynamic protection modeling approach”, 15th International Conference on Power System Protection (pp. 139-144), 2006.
39. Cigré; CIRED. Modelling of Inverter-Based Generation for Power System Dynamic Studies; Conseil International des Grands Réseaux Électriques, Congrès International des Réseaux Électriques de Distribution, Eds.; CIGRÉ: Paris, France, 2018; ISBN 978-2-85873-429-0.
40. Reigosa, D.; Briz, F.; Charro, C.B.; Garcia, P.; Guerrero, J.M. Active Islanding Detection Using High-Frequency Signal Injection. *IEEE Trans. Ind. Appl.* 2012, 48, 1588–1597.
41. Vishal Verma, Sarthak Jain “Active islanding detection method for grid and DG failure in a community microgrid application”, *IEEE International Conference on Power Electronics, Drives and Energy Systems*, pp: 1-5, 2016.
42. M. E. Ropp, M. Begovic, and A. Rohatgi, “Analysis and performance assessment of the active frequency drift method of islanding prevention,” *IEEE Tran. Energy Conversion*, vol. 14, no 3, pp. 810-816, Sep. 1999.
43. Shahrokh Akhlaghi, Arash Akhlaghi, Ali Asghar Ghadimi “Performance analysis of the slip mode frequency shift islanding detection method under different inverter interface control strategies”, *IEEE Power and Energy Conference*, pp: 1-7, 2016.
44. Ward Bower and Michael Ropp. Evaluation of islanding detection methods for utilityinteractive inverters in photovoltaic systems. 01 2002.
45. Bahrani, B.; Karimi, H.; Irvani, R. Nondetection Zone Assessment of an Active Islanding Detection Method and its Experimental Evaluation. *IEEE Trans. Power Deliver.* 2011, 26, 517–525.
46. Pankaj Gupta, Ravinder Singh Bhatia, Dinesh Jain “A hybrid technique for islanding detection of an inverter based distributed generation”, *IEEE Fifth Power India Conference*, pp: 1-5, 2012.
47. Pukar Mahat, Zhe Chen, Birgitte Bak-Jensen “A hybrid islanding detection technique using average rate of voltage change and real power shift”, *IEEE Transactions on Power Delivery*, volume: 24, issue: 02, pp: 764-771, 2009.
48. Vivek Menon and M. Hashem Nehrir, Senior Member, IEEE “A Hybrid Islanding Detection Technique Using Voltage Unbalance and Frequency Set Point” *IEEE Transactions on Power Systems*, VOL. 22, NO. 1, February 2007.

49. Aziah Khamis, H. Shareef, Erdal Bizkevelci, Tamer Khatib “A review of islanding detection techniques for renewable distributed generation systems” *Renewable and Sustainable Energy Reviews*, volume: 28, pp: 483-493, 2013.
50. Meita Rumbayan “Development of power system infrastructure model for the island communities: A case study in a remote island of Indonesia”, *International Conference on Advanced Mechatronic systems*, pp: 515-518, 2017.
51. R. Benato, R. Caldon, F. Cesena, “Carrier signal-based protection to prevent dispersed generation on MV systems”, *CIREN 2003*.
52. O. Abarrategui, I. Zamora, D.M. Larruskain, M. Gomez “DLC Communications for Islanding Detection in Systems with DG” *XCLEE Madeira, Portugal*, July 2007.
53. Junzhong Yang, Jianan Yuan, Shengjin Lin “The study on island detection for distributed power combining power line zero crossing communication technology”, *7th IEEE International Conference on Electronics Information and Emergency Communication*, pp: 304- 307, 2017.
54. R. Reedy, K. Davis, D. Click, M. Ropp, A. Shaffer “Power line carrier permissive as a simple and safe method of enabling inverter ride through operation of distributed grid tied photovoltaic systems”, *IEEE International Symposium on power line communications and Its Applications*, pp: 209-212, 2011.
55. F. De Mango et al, “Overview of Anti-Islanding Algorithms for PV Systems. Part I: Passive Methods”, *EPE-PEMC 2006, Portoroz (Slovenia)*.
56. Yu B, Matsui M, Yu G. “A review of current anti- islanding methods for photo voltaic power system”, *Solar Energy*, volume: 84, pp: 745–54, 2010.
57. Pravila o razmjeni podataka između operatora prijenosnog sustava, operatora distribucijskog sustava i proizvodnih modula priključenih na distribucijski sustav, HOPS-Hrvatski operator prijenosnog sustava d.o.o.  
[mrežno, travanj 2022]  
[https://www.hops.hr/page-file/7WnB84zYdQL4QyRW43Uz2/podzakonski-akti/Pravila%20o%20razmjeni%20podataka\\_potpisano-2.pdf](https://www.hops.hr/page-file/7WnB84zYdQL4QyRW43Uz2/podzakonski-akti/Pravila%20o%20razmjeni%20podataka_potpisano-2.pdf)
58. Izmjene i dopune mrežnih pravila distribucijskog sustava, HEP Operator distribucijskog sustava, NN 52/2020, 2020.
59. Moreno Escobar, J. J., Morales Matamoros, O., Tejeida Padilla, R., Lina Reyes, I., & Quintana Espinosa, H. (2021). A Comprehensive Review on Smart Grids: Challenges and Opportunities. In *Sensors* (Vol. 21, Issue 21, p. 6978). MDPI AG.  
<https://doi.org/10.3390/s21216978>.



60. Diaz, F. F., Guerrero, F. G., & Barandica, A. (2020). Technical–economic evaluation model for a process bus based on IEC 61850. In *Sustainable Energy, Grids and Networks* (Vol. 21, p. 100288). Elsevier BV. <https://doi.org/10.1016/j.segan.2019.100288>.
61. Matišić, Z., Antić, T., Havelka, J., & Capuder, T. (2024). Voltage Frequency Differential Protection Algorithm. In *Energies* (Vol. 17, Issue 8, p. 1845). MDPI AG. <https://doi.org/10.3390/en17081845>.
62. Boudreaux, J. Design, Simulation, and Construction of an IEEE 14-Bus Power System. Master's Thesis, Louisiana State University, Baton Rouge, LA, USA, 2018.
63. Cigré; CIRED. Modelling of Inverter-Based Generation for Power System Dynamic Studies; Conseil International des Grands Réseaux Électriques, Congrès International des Réseaux Électriques de Distribution, Eds.; CIGRÉ: Paris, France, 2018; ISBN 978-2-85873-429-0.

## Popis slika

- Slika 2.1: Proizvodnja OIE u Hrvatskoj na dan 08.06.2024.
- Slika 2.2: Snaga na sučelju prijenosne i distribucijske mreže
- Slika 2.3: Kratki spoj daleko od generatora
- Slika 2.4: Kratki spoj blizu generatora
- Slika 2.5: Jednopolni model
- Slika 2.6: Pojava nastanka kratkog spoja
- Slika 2.7: Vrste kvarova u mreži
- Slika 2.8: Karakteristika struje kratkog spoja asinkronog generatora
- Slika 2.10: Sklopovska izvedba numeričkih releja
- Slika 2.10: Strategija zaštite po zonama
- Slika 2.11: Zona štíćenja s funkcijom rezervna zaštite
- Slika 2.12: Zaštita i distribuirani izvori sa dva susjedna vodna polja
- Slika 3.1: podjela metoda detekcija otočnog pogona
- Slika 3.2: Krivulja radne snage sa presjekom zone neosjetljivosti
- Slika 3.3: Zona neosjetljivosti za pod/nad naponsku i frekventnu zaštitu
- Slika 3.4: Primjer ROCOF algoritma
- Slika 3.5: Promjena kuta napona na stezaljkama distribuiranog izvora
- Slika 3.6: Primjer VS algoritma
- Slika 3.7: Valni oblik izlazne struje izmjenjivača
- Slika 3.8: Ovisnost frekvencije o promjeni kuta izlaznog napona i struje
- Slika 3.9: Dijagram toka hibridne metode neravnoteže napona i postavljanja reference frekvencije
- Slika 3.10: Osnovni princip rada hibridne metode Sandia pomaka frekvencije sa Q-f karakteristikom
- Slika 3.11: Princip PLC komunikacije
- Slika 3.12: Princip spoja metode umetanja impedancije
- Slika 4.1: Prikaz U-Q/Pmax karakteristike energetske parka
- Slika 4.2: Prikaz panela daljinskog upravljanja OIE u SCADA-i
- Slika 4.3: FRT karakteristika iz uredbe
- Slika 5.1: Oscilogram frekvencije i napona neuspjele detekcije
- Slika 5.2: Oscilogram frekvencije i napona krivog isključenja
- Slika 5.3: Primjer bilance radne snage i tereta na istoj sabirnici u sustavu

Slika 5.4: Algoritam pomaka vektora napona sa poboljšanom karakteristikom

Slika 5.5: Prikaz frekvencija i napona pri kratkom spoju u mreži sa odazivom algoritma na vremenskoj osi

Slika 5.5: Prikaz frekvencija i napona pri kratkom spoju u mreži i pojavom otočnog pogona sa odazivom algoritma na vremenskoj osi

Slika 5.6: Prikaz zone zone neosjetljivosti postojeće pasivne i predstavljene metode

Slika 5.7: Algoritam brzine promjene frekvencije sa poboljšanom karakteristikom

Slika 5.8: Prikaz frekvencija i napona pri kratkom spoju u mreži sa odazivom algoritma na vremenskoj osi

Slika 5.9: Prikaz frekvencija i napona pri kratkom spoju u mreži i pojavom otočnog pogona sa odazivom algoritma na vremenskoj osi

Slika 5.10: Prikaz zone zone neosjetljivosti postojeće pasivne i predstavljene metode

Slika 5.11: Principijelna shema komunikacije na modelu mreže

Slika 5.12: Konfiguracija komunikacijske petlje

Slika 5.13: Prikaz principa rada DZF algoritma

Slika 5.14: Prikaz modela mreže u NEPLAN-u

Slika 5.14: Dinamički model uzbude za GEN08

Slika 5.15: Prikaz frekvencije i napona pri pojavi kratkog spoja na sabirnici BUS14

Slika 5.16: Prikaz frekvencije i napona pri pojavi kratkog spoja na sabirnici BUS10

Slika 5.17: Prikaz frekvencije i napona pri pojavi otočnog pogona sabirnica BUS05-08 sa GEN08

Slika 5.18: Prikaz frekvencije i napona pri pojavi otočnog pogona sabirnica BUS07-10 sa GEN08

Slika 5.19: Laboratorijska postava opreme za ispitivanje

Slika 5.20: Komunikacijska petlja korištena u laboratorijskom ispitivanju

## **Popis tablica**

Tablica 2.1: Vrijednosti naponskog faktora  $c$

Tablica 2.2: Vrijednosti struja doprinosa po tipu pogonskog stroja OIE

Tablica 3.1: Vrijednosti pasivnih metoda detekcije

Tablica 3.2: Vrijednosti aktivnih metoda detekcije

Tablica 3.3: Vrijednosti aktivnih metoda detekcije

Tablica 3.4: Vrijednosti daljinskih metoda detekcije

Tablica 4.1: Granice parametara zaštita prema uredbi RFG 631

Tablica 5.1: Matrica incidencije

Tablica 5.2: Rezultati ispitivanja

## **Biografija**

Zdravko Matišić rođen je u Koprivnici 18.01.1984. završio je osnovnu i srednju školu u Koprivnici. Završio je 2009 . godine dodiplomski sveučilišni studij Elektrotehnike smjer Elektroenergetike na Fakultetu elektrotehnike i računarstva u Zagrebu obranivši diplomski rad pod naslovom „Podešenje relejne zaštite srednjenaponske mreže“. Od 2009. godine zaposlen je u HEP ODS d.o.o. na mjestu inženjera relejne zaštite i mjerenja u službi za vođenje Elektre Koprivnica. Od 2022. godine radi u HEP ODS d.o.o. Sektoru za vođenje sustava kao koordinator sustava zaštite. Upisuje doktorski studij na Zavodu za visoki napon i energetiku gdje nastavlja znanstveno istraživački rad iz područja električne zaštite. Autor je i koautor znanstvenih i stručnih radova objavljenim u međunarodnim časopisima i konferencijama te domaćim.

## **Popis objavljenih radova**

### **Znanstveni radovi u međunarodnim SCI/SCI-E časopisima**

Matišić, Z., Antić, T., Havelka, J., & Capuder, T. (2024). Voltage Frequency Differential Protection Algorithm. In *Energies* (Vol. 17, Issue 8, p. 1845). MDPI AG.

<https://doi.org/10.3390/en17081845>

### **Znanstveni radovi u zbornicima skupova s međunarodnom recenzijom**

Matišić, Z., Havelka, J., Bolfek, M., & Marušić, A. (2018). Vector Surge and Rocof Protection Algorithms for Distributed Generator Islanding Detection. In *Mediterranean Conference on Power Generation, Transmission, Distribution and Energy Conversion (MEDPOWER 2018)*. Mediterranean Conference on Power Generation, Transmission, Distribution and Energy Conversion (MEDPOWER 2018). Institution of Engineering and Technology.

<https://doi.org/10.1049/cp.2018.1918>

### **Radovi u zbornicima stručnih skupova sa međunarodnom recenzijom**

Usman, M., Mohandes, B., Capitanescu, F., Madureira, A. G., Bolfek, M., Matisic, Z., Soares, F. J., Fonseca, N., Teixeira, H., & Mateo, C. (2023). Scalable uncertainty aware ancillary services procurement tool for active distribution systems. In *27th International Conference on Electricity Distribution (CIRED 2023)*. 27th International Conference on Electricity Distribution (CIRED 2023). Institution of Engineering and Technology.

<https://doi.org/10.1049/icp.2023.0653>

Lukač, M., & Matišić, Z. (2017). Anti-islanding protection of distributed generators with regard to sensitivity in a balance and power system stability. In *CIRED - Open Access Proceedings Journal* (Vol. 2017, Issue 1, pp. 943–946). Institution of Engineering and Technology (IET).

<https://doi.org/10.1049/oap-cired.2017.0368>

## **Radovi u zbornicima domaćih stručnih skupova s recenzijom**

Zdravko Matišić ANALIZA PRORADE ZAŠTITE 35 kV MREŽE KOD POJAVE JEDNOPOLONOG KRATKOG SPOJA // HO CIGRE, Cavtat, Hrvatska, 2011.

Matišić, Zdravko; Bolfek, Martin; Sinjeri, Tomislav. INTEGRACIJA NOVE GENERACIJE NUMERIČKIH RELEJA P14D U POSTOJEĆI SUSTAV ZAŠTITE // HO CIRED Osijek, Hrvatska, 2016.

Martin Bolfek, Zdravko Matišić, Mirna Gržanić, Tomislav Capuder, Optimizacija uklopnog stanja i naponskih prilika u 35 kV mreži Elektre Koprivnica, 13. savjetovanje HRO CIGRÉ 2017.

Josip Tošić, Vladimir Gagić, Tomislav Sinjeri, Zdravko Matišić, “Adaptivna zaštita u samoobnavljajućoj distribucijskoj mreži elektre Koprivnica korištenjem protokola IEC 61850”, HO CIRED 2018.

## **Biography**

Zdravko Matišić was born in Koprivnica on January 18, 1984. he finished primary and secondary school in Koprivnica in 2009. Successfully graduated university study of Electrical Engineering majoring in Electrical Power Engineering at the Faculty of Electrical Engineering and Computer Science in Zagreb, defending his thesis entitled "Setting relay protection in the medium voltage network". Since 2009, he has been employed at HEP ODS d.o.o. in the position as a relay protection and measurement engineer in the service of Elektra Koprivnica. Since 2022, he has been working at HEP ODS d.o.o. Sector for system supervision and management as a coordinator for protection systems. He enrolls in doctoral studies at the Faculty of Electrical Engineering and Computer Science in Zagreb- Institute for High Voltage and Energy, where he continues scientific research in the field of electrical protection. He is the author and co-author of scientific and professional papers published in international and domestic journals and conferences.