

Metodologija proračuna okolišnih uvjeta bitnih za funkcionalnost električne opreme nakon teške nesreće nuklearnoga reaktora

Vlahović, Štefica

Doctoral thesis / Disertacija

2024

Degree Grantor / Ustanova koja je dodijelila akademski / stručni stupanj: **University of Zagreb, Faculty of Electrical Engineering and Computing / Sveučilište u Zagrebu, Fakultet elektrotehnike i računarstva**

Permanent link / Trajna poveznica: <https://urn.nsk.hr/urn:nbn:hr:168:362076>

Rights / Prava: [In copyright](#) / [Zaštićeno autorskim pravom.](#)

Download date / Datum preuzimanja: **2024-07-24**



Repository / Repozitorij:

[FER Repository - University of Zagreb Faculty of Electrical Engineering and Computing repository](#)





Sveučilište u Zagrebu
FAKULTET ELEKTROTEHNIKE I RAČUNARSTVA

Štefica Vlahović

**METODOLOGIJA PRORAČUNA OKOLIŠNIH
UVJETA BITNIH ZA FUNKCIONALNOST
ELEKTRIČNE OPREME NAKON TEŠKE
NESREĆE NUKLEARNOGA REAKTORA**

DOKTORSKI RAD

Zagreb, 2024.



Sveučilište u Zagrebu
FAKULTET ELEKTROTEHNIKE I RAČUNARSTVA

Štefica Vlahović

**METODOLOGIJA PRORAČUNA OKOLIŠNIH
UVJETA BITNIH ZA FUNKCIONALNOST
ELEKTRIČNE OPREME NAKON TEŠKE
NESREĆE NUKLEARNOGA REAKTORA**

DOKTORSKI RAD

Mentor: prof. dr. sc. Davor Grgić

Zagreb, 2024.



University of Zagreb
FACULTY OF ELECTRICAL ENGINEERING AND
COMPUTING

Štefica Vlahović

**METHODOLOGY FOR CALCULATION OF
ENVIRONMENTAL CONDITIONS IMPORTANT
FOR ELECTRICAL EQUIPMENT SURVIVABILITY
AFTER SEVERE NUCLEAR REACTOR ACCIDENT**

DOCTORAL THESIS

Supervisor: Professor Davor Grgić, PhD

Zagreb, 2024

Doktorski rad izrađen je na Sveučilištu u Zagrebu na Fakultetu elektrotehnike i računarstva,
na Zavodu za visoki napon i energetiku.

Mentor: prof. dr. sc. Davor Grgić

Doktorski rad ima: 143 stranica

Doktorski rad br:

O MENTORU

Davor Grgić rođen je 17.05.1959. u Splitu. Diplomirao je (1981.), magistrirao (1989.) i doktorirao (2001.) na ETF Zagreb.

Od 1981. do 1990 godine zaposlen je u ETI Rade Končar. Područje rada mu je: modeliranje i automatizaciju procesa u energetici, funkcionalna ispitivanja u sklopu kvalifikacije opreme za klasu 1E, praćenje pogonskog stanja elektroopreme u NE i planiranje remonta, proračun i projektiranje magnetskih sustava za nuklearna istraživanja. Od 1990. godine zaposlen je na Elektrotehničkom fakultetu, na Zavodu za visoki napon i energetiku, kao zavodski suradnik, a od 2002 godine kao docent. U znanstveno-nastavno zvanje izvanredni profesor izabran je 2008 godine a u zvanje redovitog profesora 2018 godine. Uže područje rada su mu termohidraulički i neutronske proračuni u sklopu determinističkih sigurnosnih analiza NE, te inženjerski proračuni elektromagnetskih, toplinskih i polja strujanja fluida. Učestvuje u izvođenju nastave na predmetima: Nuklearno inženjerstvo, Sigurnost nuklearnih elektrana, Energijske tehnologije; Energijske pretvorbe, Laboratorij elektroenergetike 1 i 2, Okoliš i održivi razvoj, Obnovljivi izvori i napredne tehnologije, Elektroenergetika, Proizvodnja električne energije, Dinamika fluida i prijenos topline.

Sudjelovao je u znanstvenim i primijenjenim istraživanjima iz područja nuklearne energetike u okviru projekta SIZ-a za znanost SRH (1978-1985) i kasnije fonda za znanost RH (1986-2013). Sudjelovao je u obuci kadrova iz Irana, Kine, Pakistana, J. Koreje u okviru IAEA trening programa za područje nuklearne sigurnosti. Član je znanstvenog odbora i predavao je na međunarodnim tečajevima SUNCOP 3D u Zagrebu, Barceloni, Petten-u (IET) i na A&M University u Texas-u. Suraduje na području nuklearne energetike s Sveučilištem u Pisi, Milanu i Atlanti (GeorgiaTech). Sudjelovao je na koordinaciji aktivnosti na sigurnosnim analizama za međunarodni projekt IRIS SMR vođen od strane firme Westinghouse, na US DOE NEUP I2S-LWR projektu, te na projektu vezanom za Fluoride High-Temperature Reactor (FHRs) s Georgia Tech sveučilištem. Autor je i koautor više od 100 znanstvenih i stručnih radova iz područja nuklearne energetike objavljenih u stručnim časopisima, te na međunarodnim i domaćim skupovima. Učestvovao je u izradi i vođenju projekata za HEP, NE Krško, DZNS/DZRNŠ i URSJV.

Prof. Grgić član je HND, ENS, ANS, IEEE i Cigre stručnih udruga. Pridruženi je član HATZ i član je Znanstvenog vijeća za naftno-plinsko gospodarstvo i energetiku HAZU. Član je odbora za sigurnost NE Krško (KSC). Sudjelovao je u više međunarodnih programskih

odbora znanstvenih konferencija, član je dvaju uredničkih odbora znanstvenih časopisa, te sudjeluje kao recenzent u većem broju inozemnih časopisa. Tijekom studija dobio je 3 plakete “Josip Lončar” i nagradu rektora sveučilišta za završetak studija, a za magistarski rad srebrnu plaketu “Josip Lončar”. Dobio je zahvalnicu Državnog zavoda za nuklearnu sigurnost RH 2006. godine, nagradu hrvatske sekcije IEEE PES, PES Chapter Outstanding Engineer Award, 2010 godine i plaketu za doprinos radu HND-a 2017 godine.

ABOUT THE SUPERVISOR

Davor Grgić was born 17.05.1959 in Split. He graduated (1981.), obtained his MS (1989.) and Phd degree (2001.) at Faculty of electrical engineering in Zagreb.

From 1981. to 1990 he was employed in ETI Rade Končar. His fields of interest were: modeling and process automation in power engineering, functional testing as part of electrical equipment 1E qualification, surveillance of electrical equipment operating conditions in NPP and overview of maintenance activities, calculation and design of magnets for nuclear research. He works at the Faculty of electrical engineering, Department of energy and power systems, first as research assistant and since 2002 as docent. He was elected in scientific and teaching status of associate professor in 2008 and full professor in 2018. His fields of work are thermal hydraulic and neutronic calculations as a part of NPP deterministic safety analyses and engineering calculations of electromagnetic, thermal and fluid flow processes in power equipment. He participates in teaching of following subjects: Nuclear engineering, Safety of nuclear power plants, Energy technology, Energy conversion, Power plants, Laboratory of electric power engineering 1 and 2, Sustainable environment and development, Renewable resources and advanced technology, Electric power engineering, Production of electric energy, Fluid dynamics and heat transfer.

He was participating in scientific and applied research in field of nuclear power as part of projects financed by Croatian government from 1978 to 1985 and from 1986 to 2013. He was participating as an IAEA expert in nuclear safety training of people from Iran, China, Pakistan, and South Korea. He was member of scientific board of SUNCOP 3D and he was participating as the lecturer at SUNCOP 3D meetings in Zagreb, Barcelona, Petten (IET) and at A&M University of Texas. He has cooperation with University of Pisa, Milano and Georgia Tech. He was coordinating safety analyses of IRIS project led by Westinghouse and he is currently part of US DOE projects I2S-LWR and Fluoride High-Temperature Reactor Project (FHR) led by Georgia institute of Technology. He is author and coauthor of more than 100 scientific and applied papers, related to nuclear safety, published in international publications and international conference proceedings. He was participating in different commercial projects for HEP, NPP Krsko, and regulatory bodies of Croatia and Slovenia.

He is member of HND, ENS, ANS, IEEE and Cigre societies. He is associated member of HATZ and member of HAZU Scientific council for oil, gas and energy. He is member of Krsko safety committee. He was participating in more than 10 international conferences

program committees, he is associate editor of one scientific publication and he is reviewer in international publications and conferences. During his study, he obtained three Josip Loncar awards, one rector's award and silver Josip Loncar medal. He obtained IEEE PES Chapter Outstanding Engineer Award in 2010 and recognition from Croatian nuclear society in 2017.

SAŽETAK

Nakon nesreće u nuklearnoj elektrani Fukushima Daiichi sve je više pažnje usmjereno prema razumijevanju i modeliranju teških nuklearnih nesreća. Posljedice teške nuklearne nesreće mogu biti umanjene korištenjem odgovarajuće opreme koja mora obaviti sigurnosnu funkciju u nepovoljnim uvjetima tijekom i nakon teške nuklearne nesreće (visoka temperatura i tlak, visoka razina radijacije). Dokazivanje izdržljivosti i mogućnosti funkcioniranja opreme tijekom i nakon teške nuklearne nesreće zove se dokazivanje opstojnosti opreme. U ovoj doktorskoj disertaciji razvijena je metodologija proračuna okolišnih uvjeta za sustavno računanje okolišnih uvjeta u kojima električna oprema mora ispuniti svoju sigurnosnu funkciju tijekom i nakon nesreće u nuklearnoj elektrani. Okolišni uvjeti koji se tipično promatraju su tlak, temperatura, relativna vlažnost, kemijski sastav okoline i doze ionizirajućeg zračenja. Za određivanje okolišnih uvjeta treba poznavati način nastajanja scenarija teških nuklearnih nesreća, način njihovog proračuna i način njihovog modeliranja u različitim nuklearnim računalnim programima. Razvijena metodologija proračuna okolišnih uvjeta započinje izborom scenarija teških nuklearnih nesreća koji su relevantni za računanje okolišnih uvjeta i lokacija na kojima se nalazi potrebna električna oprema ili kojima treba pristupiti osoblje nuklearne elektrane. Razvoj teške nuklearne nesreće i njene posljedice se razlikuje za svaku zgradu u nuklearnoj elektrani. Zbog toga je potrebno uzeti u obzir specifičnosti svake zgrade i način širenja radioaktivnog sadržaja te procese modelirati korištenjem odgovarajućih nuklearnih računalnih programa. U centralnom dijelu nuklearne elektrane, u kontejnmentu, se tijekom teške nuklearne nesreće nalazi direktan ispuštanje radioaktivnog sadržaja iz primarnog kruga, dok se za ostale zgrade u nuklearnoj elektrani treba dodatno modelirati ispuštanje iz kontejnmenta do zgrada. Nakon što su poznati svi scenariji teških nuklearnih nesreća, modelirane sve specifičnosti zgrada i soba u nuklearnoj elektrani moguće je primijeniti metodologiju na bilo koju nuklearnu elektranu. Metodologiju je zatim moguće jednostavno nadograditi s dodatnim scenarijima nuklearnih nesreća i provesti specifične proračune lokalizirane na manje prostore u sobi. U disertaciji su također unaprijeđena dva postojeća proračunska modela. Model toplinske veze kontejnmenta i susjednih zgrada tijekom teške nuklearne nesreće, koji je do sada uključivao samo konvektivni prijenos topline između reaktorske zgrade i susjednih zgrada, uključuje sada i radijativni prijenos topline. Model za određivanje izotopskog sastava radioaktivnog izvora za potrebe računanja doza prisutnih na opremi od koncentriranog izvora ili od uronjenosti u ispušteni radioaktivni materijal je unaprijeđen kako bi se što bolje opisalo

modeliranje proračuna doza u različitim zgradama korištenjem različitih nuklearnih računalnih programa.

Ključne riječi: teška nuklearna nesreća, dokazivanje opstojnosti opreme, kvalifikacija električne opreme, metodologija proračuna okolišnih uvjeta, nuklearni računalni program, radijativna veza, radioaktivni sadržaj jezgre

SUMMARY

Methodology for calculation of environmental conditions important for electrical equipment survivability after severe nuclear reactor accident

Research in the field of Equipment Survivability came into focus after the accident in the nuclear power plant Fukushima Daiichi. To prevent and limit the consequences of the radioactive release, it is necessary to choose equipment that is capable of surviving and operating during and after severe accident. In order to choose the appropriate equipment, one needs to know the environmental conditions at the location where the equipment is located. In this dissertation, the methodology for calculating environmental conditions important for electrical equipment survivability was developed. The first step of the methodology for calculation of environmental conditions is to obtain the list of the severe accident scenarios. Afterwards, the locations of interest in nuclear power plant are defined. For each severe accident scenario, the input parameters are defined and first the thermohydraulic calculations are performed using appropriate nuclear codes. After the thermohydraulic calculations of the selected locations have been performed, the dose calculation for the same locations and the observed scenarios are performed. Locations in a nuclear power plant for which the methodology for calculation of environmental conditions is evaluated are locations inside the Reactor Building (RB), outside the RB (Auxiliary Building - AB, Intermediate Building - IB, Bunkered Building 1 – BB1, environment) and inside the Fuel Handling Building (FHB), where Spent Fuel Pool (SFP) is located. Specifically, the locations of Severe Accident Management Equipment (SAME) and FLEX (Diverse and Flexible Coping Strategies) equipment are evaluated and locations where personnel will be located during the accident.

In order to determine the severe accident scenarios, it was necessary to understand the existing severe accident referent scenarios and add new relevant scenarios for which the input parameters were prepared. The severe accident scenarios of interest for the methodology for calculation of environmental conditions are Station Blackout (SBO), Mitigated SBO, Steam Generator Tube Rupture (SGTR), Interfacing Loss of Coolant Accident (ISLOCA) and accident in Fuel Handling Building. Station Blackout includes complete failure of the off-site and on-site alternating current power sources, i.e. the severe accident which happened in Fukushima Daiichi. This accident is the limiting scenario for dimensioning of the Passive Autocatalytic Recombiner (PAR) and the Passive Containment Filtered Vent (PCFV) systems. The mitigated SBO is a SBO scenario with mitigating actions 24 hours after the beginning of the accident using the Mobile Heat Exchangers (MHX). The MHXs start the recirculation from the

containment sump during the ex-vessel phase. This event is used to determine the environmental conditions for dimensioning new RHR DEC equipment located in the Auxiliary Building and Intermediate Building. Steam Generator Tube Rapture is an accident that involves bypass of the containment and radionuclide leak from the primary circuit to the secondary side. This event is used to determine the ES conditions in the Bunkered Building 1. Interfacing System Loss of Coolant Accident is an event that involves bypassing the containment and radionuclide leak from the core to the containment. During the accident at the Fukushima Daiichi Unit 4, operators did not have reliable instrumentation for the water level in the SFP. Thus, after the accident, U.S. The NRC requested that licensed power plants provide instrumentation in the SFP in order to reliably determine the water level and make key decisions. Therefore, two scenarios for the FHB are observed: the SFP with a water level, which ensures that the fuel is covered, but without water margin above the fuel and with water level required by NEI-12-02 for instrumentation (1 m of water margin).

The observed environmental conditions for the methodology for calculation of environmental conditions are environmental conditions related to thermohydraulic calculations (time-dependent pressure (kPa), time-dependent temperatures (°C) and time-dependent relative humidity (%)), environmental conditions related to dose calculation (time-dependent dose rates (Gy/h) and time-dependent total doses (Gy)) and chemical composition. The methodology for calculation of environmental conditions covers all time frames required by the Equipment survivability: Pre-core Uncovery, Core Heatup, In-Vessel Severe Accident Phase and Ex-Vessel Severe Accident Phase. The functionality of the electrical equipment is required one year after the accident. The functionality of a part of the equipment is required one year after the accident. Therefore, a maximum observed time of one year is required, except for the Emergency Control Room (ECR), where the period of 30 days is observed.

Various computer codes are used in the dissertation depending on the severe accident scenarios, the field of application and the particularities of the used models. For thermohydraulic calculations MAAP and MELCOR code are used for the RB and GOTHIC code for all other buildings (adjacent or remote to the RB). To determine the source term, PARCS and ORIGEN are used. RADTRAD code is used to connect the input and output data of various computer codes. For dose calculations, MicroShield is used for simple geometries), MCNP for more complex models and ARCON96 code to calculate dispersion factors (normalized concentrations χ/Q).

The methodology for calculation of environmental conditions incorporates all relevant severe accident scenarios and models of buildings and rooms in a nuclear power plant. Once these data are known, the methodology is tractable and can be applied to any nuclear power plant using comparable computer codes. In the dissertation, the methodology for calculation of environmental conditions has been applied to the program of Equipment Survivability in the nuclear power plant Krško.

The MAAP model of Reactor Building is divided into 12 sections: two Steam Generator, Reactor pool, Around Reactor Vessel, Cavity, Pressurizer, Lower, Upper cylindrical, Upper spherical, Sump pit, two Containment pool and Annulus compartment. The PAR and PCFV systems are also modelled. PAR system limits the concentration of inflammable hydrogen in containment and PCFV system reduces the pressure in the containment while minimizing the release of radioactivity into the environment. The MELCOR model of the primary and secondary systems is modeled with 116 thermohydraulic control volumes, 165 flow paths, 100 thermal structures and 293 control functions. The reference scenario for Reactor Building is the Station Blackout without any mitigation actions in the first 24 hours after the start of a severe accident. In the first 24 hours, only passive PAR and PCFV systems were available. After the first 24 hours, the consequences of a severe accident were mitigated using Alternative Residual Heat System (ARHR) and Containment Spray system. Additionally, the impact of the old and new MAAP containment model is observed and the three different statuses of the cavity door (opened, closed, and closed with a 4 inch opening at the bottom of the door) were considered. Based on the MAAP calculation, beta and gamma immersion doses in containment were determined using the RADTRAD model for direct leakage from the containment, i.e. the model for penetrations between the containment and adjacent buildings. The gamma immersion doses obtained by the RADTRAD code, are verified using the MicroShield code. The MicroShield containment is modelled as a cylinder and the doses were calculated in the center of the cylinder at different elevations which represent the characteristic elevations in a nuclear power plant. Radiological conditions in the annulus are determined by gamma shine doses from the containment and gamma immersion doses due to leakage from the containment. The RADTRAD model for indirect leakage from containment is used to calculate the beta and gamma immersion doses and the MicroShield model of containment is used to calculate gamma shine doses for the annulus.

The GOTHIC model of the Auxiliary Building and Intermediate Building is used to calculate thermohydraulic conditions in those buildings. The input for the leakage and heat

transfer in GOTHIC model is used are taken from the containment calculations. All rooms and thermal structures in AB and IB are initialized to the temperature of 40 °C, and the environment to the temperature of 35 °C. The radiological conditions for AB and IB are based on the calculation of beta and gamma doses in containment. Doses in AB and IB are calculated as the sum of immersion doses obtained by the RADTRAD code and shine doses obtained by the MicroShield code. Immersion doses can be calculated with the RADTRAD code using direct leakage (through containment penetrations) or indirect leakage (through the annulus). The MicroShield code is used to calculate gamma shine doses from source in the containment. The model is similar to the MicroShield model for calculating doses in the annulus and doses are calculated at different distances from the containment. Additionally, the MicroShield dose calculation around the ARHR pipeline in AB is observed to determine doses for equipment located near the ARHR pipeline. The different lengths of ARHR pipes and the different distances from ARHR pipes are observed. Additional MicroShield calculation is performed to calculate doses around the main steam line in IB in the case of the SGTR scenario when the source of radioactivity is located in the main steam line. The different lengths of main steam line and the different distances from the main steam lines are observed.

For the calculation of thermohydraulic conditions in the Fuel Handling Building, the loss of cooling in the Spent Fuel Pool was modelled in GOTHIC code. Once the water reaches the top of the active fuel, the spray system in the FHB is activated to stabilize the water level in the SFP and the temperatures in the FHB. The pressure in the FHB is lowered with the depressurization panels and roll-on doors. For the thermal analysis of the SFP and as a thermal input in the analysis of the FHB, it is necessary to calculate the time dependent residual heat power. The SFPFA program uses simple conservative models to estimate basic data related to SFP safety such as SFP power and time. Radiological calculations for the SFP were performed using SCALE/MAVRIC, ADVANTG/MCNP, and the MicroShield code. The observed cases are when the water is 1 m above the level of the active fuel and when the water is up to the level of the active fuel. The gamma doses are calculated in the middle of the SFP and on the periphery of the SFP where the measuring instruments are located.

The Emergency Control Room is located on the second floor of Bunker Building 1 above the new diesel generator. Next to the auxiliary control room is the Technical Support Center (TSC). The ECR and TSC shall ensure environmental conditions personnel for the personnel to stay there for 30 days after the start of the severe accident. During that time personnel must not receive more than 50 mSv. Therefore, it is essential to ensure the proper

operation of the HVAC system. This is the reason for the calculation of radiological conditions in all rooms in BB1. The observed SGTR accident with discharge through safety and relief valves is modelled in MAAP code. The MAAP code was used to calculate the volumetric flow of discharge into the environment, which is required for the RADTRAD calculation. The environment in RADTRAD model is modeled approximately, so for any specific point, the dispersion factors (χ/Q factors) that connect the discharge and intake should be calculated. The dispersion factors (normalized concentrations χ/Q) were calculated using the ARCON96 program. The input data for the ARCON96 program consists of geometric and meteorological data. The geometric data contains the defined position of the release point and the intake point, which includes the altitude of these points and the distance between them. The meteorological data contain wind speed and direction and class of atmospheric stability, which shall be available for a period of at least 5 years at that location. RADTRAD code calculates beta and gamma immersion doses inside BB1. For the ECR, it is necessary to calculate shine doses from the environment, from adjacent rooms without air filtration and from a concentrated source in the HVAC filters.

As part of the methodology, two models have been developed that were necessary for methodology implementation. The first one is a model of radiative heat exchange between the steel containment and the surrounding buildings/rooms. The second one is a model for determining a realistic radioactive core inventory and the corresponding activities of both neutron and gamma sources that are needed to calculate doses to equipment.

In the dissertation, the existing thermal connection model between the steel containment and the surrounding buildings/rooms is improved. Previously, only convective heat transfer between the Reactor Building, i.e. the annulus and neighboring buildings was used to determine the environmental conditions in the containment. In this way, higher temperatures were obtained in the containment, which is more conservative for the containment. For the buildings adjacent to the Reactor Building, it is more conservative that the temperatures in them are as high as possible. Therefore, to determine the environmental conditions in the buildings adjacent to the Reactor Building, the radiative heat transfer between the steel containment and the surrounding buildings/rooms was also considered. A model for the numerical calculation of view factors in the radiative exchange model was developed, which is applied to obtain a more realistic model of radiative and convective heat transfer and it is implemented in the GOTHIC model. As expected, the improved model resulted in higher temperatures in the rooms adjacent to the Reactor Building. The model can also be used to model local radiative exchange between

components and pipes with fluid and molten material and electrical cables or other electrical equipment for the hot spot analysis.

During the severe accident in the nuclear power plant, it is possible that fuel is damaged in the reactor core or in the SFP. It is also possible that the released radioactive material is spread from the fuel to the containment, FHB and into the environment. Thermohydraulic codes, with which all calculations in the methodology are started, cannot give doses and it is necessary to use other computer codes for dose calculations. As input data for dose calculations, it is necessary to know the intensity of the neutron and gamma source, which has not yet been accurately determined. In order to be able to determine the intensity of neutron and gamma sources, it is necessary to have real data about the fuel and the history of the fuel. The first step is to obtain the 3D burnup distribution of the reactor core using PARCS code. The input data for the PARCS code are available in the .fas file for each fuel assembly. As a result, PARCS code gives the information about the moment of insertion and removal of an individual fuel assembly in the core, cycle burnup and refueling outage duration. The ORIGEN2 calculation is central part of the methodology used to calculate radioactive isotopes inventory, decay heat, radioactivity and neutron and gamma source. It is necessary to use ORIGEN2 preprocessor to automatically prepare ORIGEN2 input using PARCS burnup data. The ORIGEN2 output includes information about nuclide and isotope data for mass, radioactivity, decay heat and neutron and gamma source for three isotopes groups: actinides, activation products and fission products. The ORIGEN2 postprocessor is used to retrieve decay power, mass inventory and activities for any fuel assembly, whole core, SFP rack or whole SFP, at any time point/vector of time points, on isotope or nuclide basis. Afterwards, a separate postprocessor version is used to prepare isotopic inventory for MAAP and RADTRAD codes. The RADTRAD code gives the core inventory in Ci/MWt for 60 different isotopes and the MAAP code gives activities in Ci for 65 different isotopes.

Keywords: Severe accident, Equipment Survivability, Equipment Qualification, nuclear code, radiation heat transfer, source term

SADRŽAJ

1.	Uvod.....	1
1.1.	Cilj i motivacija istraživanja.....	1
1.2.	Problem dosadašnjih istraživanja	3
1.3.	Struktura disertacije.....	6
2.	Teorijska podloga	7
2.1.	Dokazivanje opstojnosti opreme	7
2.2.	Korisnost metodologije proračuna okolišnih uvjeta u industriji	11
3.	Metodologija proračuna okolišnih uvjeta bitnih za funkcionalnost električne opreme nakon teške nuklearne nesreće.....	15
3.1.	Opis metodologije proračuna okolišnih uvjeta.....	15
3.2.	Korišteni nuklearni računalni programi	24
3.2.1.	Opis MAAP programa	26
3.2.2.	Opis MELCOR programa	27
3.2.3.	Opis GOTHIC programa.....	28
3.2.4.	Opis PARCS programa	29
3.2.5.	Opis SCALE programa	31
3.2.6.	Opis RADTRAD programa	32
3.2.7.	Opis MicroShield programa.....	33
3.2.8.	Opis MCNP programa	33
3.2.9.	Opis ARCON96 programa.....	34
4.	Primjena metodologije proračuna okolišnih uvjeta na različite zgrade u nuklearnoj elektrani	35
4.1.	Primjena metodologije proračuna okolišnih uvjeta na reaktorsku zgradu	35
4.1.1.	Opis modela i proračuna za reaktorsku zgradu.....	35
4.1.2.	Rezultati i analiza rezultata za reaktorsku zgradu.....	42
4.2.	Primjena metodologije proračuna okolišnih uvjeta na pomoćnu zgradu	51
4.2.1.	Opis modela i proračuna za pomoćnu zgradu.....	51
4.2.2.	Rezultati i analiza rezultata za pomoćnu zgradu.....	56
4.3.	Primjena metodologije proračuna okolišnih uvjeta na međuzgradu	61
4.3.1.	Opis modela i proračuna za međuzgradu.....	61
4.3.2.	Rezultati i analiza rezultata za međuzgradu.....	64
4.4.	Primjena metodologije proračuna okolišnih uvjeta na zgradu za istrošeno gorivo.....	67

4.4.1.	Opis modela i proračuna za zgradu za istrošeno gorivo	67
4.4.2.	Rezultati i analiza rezultata za zgradu za istrošeno gorivo	73
4.5.	Primjena metodologije proračuna okolišnih uvjeta na bunkersku zgradu 1.....	77
4.5.1.	Opis modela i proračuna za bunkersku zgradu 1	77
4.5.2.	Rezultati i analiza rezultata za bunkersku zgradu 1	82
5.	Model prijenosa topline između reaktorske zgrade i susjednih zgrada te okoliša.....	90
5.1.	Radijativni prijenos topline	90
5.2.	Opis modela i proračuna prijenosa topline između reaktorske zgrade i susjednih zgrada te okoliša	93
5.3.	Rezultati i analiza rezultata razvijenog modela prijenosa topline između reaktorske zgrade i susjednih zgrada te okoliša	113
6.	Modeli izračuna radioaktivnog sadržaja jezgre i izotopskog sastava radioaktivnog izvora	114
6.1.	Opis modela i proračuna radioaktivnog sadržaja jezgre i izotopskog sastava radioaktivnog izvora.....	114
6.2.	Rezultati i analiza rezultata razvijenih modela izračuna radioaktivnog sadržaja jezgre i izotopskog sastava radioaktivnog izvora.....	118
7.	Zaključak	123
	Popis literature.....	125
	Kazalo pojmova.....	131
	Popis slika	135
	Popis tablica	139
	Životopis.....	140
	Popis objavljenih radova.....	140
	Biography	143

1. UVOD

1.1. Cilj i motivacija istraživanja

Kvalifikacija električne opreme (engl. Equipment Qualification - EQ) je postupak kojim se provjerava mogućnost funkcioniranja opreme u okolišnim uvjetima koji vladaju tijekom projektne nesreće u nuklearnoj elektrani. Tom postupku treba podvrgnuti samo onu opremu koja ima sigurnosnu funkciju. To znači da je prvi korak provođenja ovog postupka klasificiranje opreme u dvije kategorije: oprema za koju je potrebna kvalifikaciju i oprema za koju kvalifikacija nije potrebna. Kad je poznata oprema koju treba kvalificirati i kad su određeni okolišni uvjeti za koje opremu treba kvalificirati, onda se kvalificiranje opreme uobičajeno provodi tipskim testiranjem. Kako je postupak potrebno primijeniti na cijelu nuklearnu elektranu i pripadnu opremu, uobičajeno se prostori koji imaju slične okolišne uvjete grupiraju u zone. Sva oprema koja ima sigurnosnu funkciju i nalazi se u zoni koja je karakterizirana uvjetima nepovoljnijim od normalnih pogonskih uvjeta mora se kvalificirati. Time se osigurava njeno ispravno funkcioniranje i eliminira se kvar sa zajedničkim uzrokom (engl. common cause failure) zbog pogoršanih okolišnih uvjeta. Postupak kvalifikacije je uveden u postupak licenciranja nuklearnih elektrana kao obavezan nakon nesreće u nuklearnoj elektrani Three Mile Island.

Kada su se počele proučavati vanprojektne nesreće bilo je jasno da je za njihovo savladavanje potrebno osigurati funkcioniranje sigurnosne opreme, ali u uvjetima teških nuklearnih nesreća. Dokazivanje izdržljivosti i mogućnosti funkcioniranja (preživljavanja) opreme tijekom i nakon teške nuklearne nesreće zove se dokazivanje opstojnosti opreme (engl. Equipment Survivability - ES). Postupak nije eksplicitno tražen regulatornim zahtjevima i nije do kraja definiran, ali se uobičajeno provodi na način sličan onom za EQ. Postoji jedna bitna razlika u odnosu na EQ, a to je način računanja okolišnih uvjeta. Kako se u slučaju ES radi o uvjetima tijekom i nakon teške nuklearne nesreće pripadne neodređenosti su veće. Oprema za savladavanje teških nuklearnih nesreća uobičajeno nema svoju funkciju u normalnom pogonu nuklearne elektrane zbog čega ju je uobičajeno potrebno ispitati samo po osnovi preživljavanja tijekom i nakon teške nuklearne nesreće. EQ normalno podrazumijeva opremu koja funkcionira cijeli svoj životni vijek u normalnim okolišnim uvjetima, a onda mora dodatno izdržati neko vrijeme u uvjetima projektne nesreće. Pitanjima opstojnosti, odnosno izdržljivosti opreme tijekom i nakon teške nuklearne nesreće posvećuje se veća pažnja poslije nesreće u nuklearnoj

elektrani Fukushima Daiichi. Smatra se da je ovo područje još u fazi razvoja, da postupak dokazivanja opstojnosti opreme nije standardiziran i da je potrebno je slijediti samo opće smjernice. Zbog toga je razvijena metodologija proračuna okolišnih uvjeta koja je objašnjena u ovoj disertaciji.

Za metodologiju je u prvom koraku važno pripremiti sve scenarije teških nesreća i pronaći lokacije od interesa gdje se treba nalaziti određena oprema ili kojima treba pristupiti osoblje elektrane. Nakon toga se određuju okolišni uvjeti na svakoj lokaciji ovisno o njenoj specifičnosti. Okolišni uvjeti koji se tipično promatraju su tlak, temperatura, relativna vlažnost, kemijski sastav okoline i doze ionizirajućeg zračenja. Funkcionalnost dijela opreme je zahtijevana godinu dana nakon akcidenta pa je promatrano maksimalno vrijeme od jedne godine kako bi se odredili vremenski ovisni okolišni uvjeti. Za prostor glavne i pomoćne kontrolne sobe promatrano je razdoblje od 30 dana. U obzir treba uzeti promatra li se lokacija unutar kontejnmenta ili bazena za istrošeno gorivo gdje se dogodila nuklearna nesreća, u susjednim zgradama gdje se širi radioaktivni sadržaj iz kontejnmenta ili u udaljenim zgradama na koje utječe oslobađanje radioaktivnog sadržaja iz kontejnmenta. U kontejnmentu i bazenu za istrošeno gorivo se nalazi direktan ispušt radioaktivnog sadržaja iz primarnog kruga, dok se za ostale zgrade treba posebno modelirati ispušt iz kontejnmenta do zgrada. Za zgrade susjedne kontejnmentu je potrebno uzeti u obzir konvektivni i radijativni prijenos topline između kontejnmenta i susjednih zgrada, a za udaljene zgrade disperzijske faktore koji opisuju odnos točke ispusta radioaktivnosti i željene lokacije. Jednom kada su poznati svi scenariji teških nesreća, modelirane sve specifičnosti zgrada i soba u nuklearnoj elektrani, metodologija je sljedljiva i može se primijeniti na bilo koju nuklearnu elektranu. Dodatna vrijednost metodologije okolišnih uvjeta je da nakon što su jednom izračunati okolišni uvjeti u zgradama i sobama, metodologiju je moguće jednostavno nadograditi s dodatnim scenarijima nuklearnih nesreća i provesti specifične proračune lokalizirane na manje točke u sobi. Metodologija proračuna okolišnih uvjeta je u ovoj disertaciji primijenjena na nuklearnu elektranu Krško (NEK) te je tako prikazana direktna važnost istraživanja za potrebe industrije.

Kako bi proračuni bili što točniji odnosno korišteni modeli što realniji, u disertaciji su unaprjeđena dva postojeća proračunska modela. To su model toplinske veze kontejnmenta i susjednih zgrada tijekom teške nuklearne nesreće i model za određivanje izotopskog sastava radioaktivnog izvora za potrebe računanja doza prisutnih na opremi od koncentriranog izvora ili od uronjenosti u ispušteni radioaktivni materijal. Model toplinske veze kontejnmenta i susjednih zgrada tijekom teške nuklearne nesreće je do sada uključivao samo konvektivni

prijenos topline između reaktorske zgrade i susjednih zgrada. U ovoj je disertaciji modeliran i radijativni prijenos topline čime je model postao realističniji. Model za određivanje izotopskog sastava radioaktivnog izvora za potrebe računanja doza je unaprijeđen kako bi se što bolje opisalo modeliranje prijenosa radioaktivnog materijala i određivanja doza. To znači da je za proračun doza u različitim zgradama korištenjem različitih nuklearnih računalnih kodova razvijen model koji eksplicitno opisuje dobivanje podataka i obradu podataka za korištenje u pojedinim fazama proračuna.

1.2. Problem dosadašnjih istraživanja

Iako je od nesreće u nuklearnoj elektrani Fukushima Daiichi prošlo više od 10 godina, područje istraživanja izdržljivosti opreme tijekom i nakon teške nuklearne nesreće je još uvijek u fazi razvoja i postupak dokazivanja opstojnosti opreme još uvijek nije standardiziran. U ovom poglavlju su navedena dosadašnja istraživanja u ovom području koja samo djelomično pokrivaju područje disertacije. Doprinos disertacije je u tome da metodologija na jednom mjestu objedinjuje sve scenarije teških nesreća i modelira sve specifičnosti zgrada i soba u nuklearnoj elektrani. Jednom kada su ti podaci poznati, metodologija je sljedljiva i može se primijeniti na bilo koju nuklearnu elektranu za proračun okolišnih uvjeta na bilo kojem mjestu u nuklearnoj elektrani koja je važna za opremu ili pristup osoblja.

Choi i ostali su u radu [1] razvili sistematski pristup za izračun tlaka i temperatura za scenarije nuklearnih nesreća koji bi mogli uzrokovati nepovoljne okolišne uvjete u području EQ. Kaiyun je u radu [2] detaljno opisao definiranje i klasifikaciju električnih penetracija u nuklearnim elektranama kako bi pokazao da su u mogućnosti izvoditi sigurnosnu funkciju i osigurati zadovoljavajući rad tijekom životnog vijeka od 60 godina. Nesreća u nuklearnoj elektrani Fukushima Daiichi je rezultirala povećanim interesom za istraživanja u području teških nuklearnih nesreća te se u literaturi mogu pronaći brojni članci s tom tematikom. Od opreme se najviše razmatra električna i instrumentacijska oprema, koja u nuklearnoj elektrani služi za sprječavanje i ublažavanje posljedica nuklearne nesreće. Teorijski opis ES je adresiran u izvješću Međunarodne agencije za atomsku energiju (IAEA) [3], dok su Rempe i ostali obradili instrumentacijski dio obrađen u zasebnom izvješću [4].

Kako bi se uopće mogli definirati okolišni uvjeti za vrijeme teške nuklearne nesreće, potrebno je definirati scenarije koji dovode do takvih uvjeta te nakon toga modelirati pripadajuće scenarije koristeći odgovarajuće nuklearne računalne programe. Nesreća u Fukushima Daiichi je pokazala da potpuni gubitak električnog napajanja može dovesti do

oštećenja jezgre i oslobađanja radioaktivnog materijala što je također jedan od scenarija koji je promatran u ovoj disertaciji. Dostupno je nekoliko članaka tematikom teških nuklearnih nesreća, u kojima su autori istraživali faze teške nuklearne nesreće i odgovarajuće ih modelirali. Lu i Zhao su radu [5] opisali faze nesreće potpunog gubitka električnog napajanja i mjere ublažavanja posljedica nesreće kako bi pokazali učinkovitost tih mjera. Isti scenarij potpunog gubitka električnog napajanja je modeliran u MELCOR programu za K-2/K-3 nuklearnu elektranu što su opisali Bakar i Sarwar u radu [6]. Istraživanja u području teških nuklearnih nesreća su dovela do razvijanja mjera za reagiranje u teškim nuklearnim nesrećama koje je svaka nuklearna elektrana dužna implementirati. Još neka istraživanja u području teških nuklearnih nesreća su navedena u člancima [7]-[9] (prva dva rada su napisana prije nesreće u Fukushima Daiichi).

Kako bi se što bolje modelirala kompleksnost teških nuklearnih nesreća, te poveznica između termohidrauličkih programa i radioaktivnog sadržaja jezgre, dio istraživanja se usmjerio prema povezivanju termohidrauličkih programa s neutronskim transportnim programima. Jedno takvo istraživanje su prikazali Darnowski i ostali u radu [10], u kojem su združili termohidraulički program MELCOR i Monte Carlo program SERPENT modelirajući treću jedinicu nuklearne elektrane Fukushima. Još jedan primjer združivanja nuklearnih računalnih programa su naveli Dietrich i ostali u radu [11], a uključuje već spomenuti MELCOR program i DINAMO program, koji je razvijen kako bi se bolje opisalo ponašanje u reaktorskoj jezgri tijekom teške nuklearne nesreće. Ouyang i ostali su u radu [12] analizirali brzine doza oko rastopljenih dijelova jezgre (engl. molten corium) korištenjem MELCOR i MCNP5 programa. To je istraživanje adresiralo uže područje, dok se istraživanje u ovoj disertaciji fokusira na električnu opremu u više zgrada ovisno o tome gdje je smještena bitna električna oprema.

Za određivanje radioaktivnog sadržaja jezgre se koriste razni nuklearni računalni programi. Feng i Xinrong su u radu [13] koristili MELCOR program kako bi se dobio sadržaj i raspodjela radioaktivnosti oslobođene iz reaktorske jezgre tijekom teške nuklearne nesreće. To istraživanje prikazuje samo dio područja, dok je u ovoj disertaciji modelirano širenje radioaktivnog sadržaja u reaktorskoj zaštitnoj zgradi, ali i u susjednim zgradama. Drugi dio problema koji je obrađen u ovoj disertaciji je raspodjela i širenje radioaktivnog sadržaja jezgre izvan reaktorske zgrade. Slično su taj dio problema adresirali Liu i ostali u radu [14] koristeći MELCOR i MAAP program. Lovasz i Boros su u radu [15] dokazali efikasnost toplinskih izmjenjivača u nuklearnoj elektrani korištenjem programa ASTEC, pomoću kojeg su izračunali

radioaktivni sadržaj jezgre tijekom i nakon nesreće. U ovoj disertaciji se radioaktivni sadržaj jezgre također računao pomoću SCALE programa. Bitno je također adresirati problem koji teška nuklearna nesreća postavlja na integritet reaktorske zgrade, te u vezi s time je potrebno poznavati sve procese koji se mogu dogoditi u reaktorskoj zaštitnoj zgradi i moguće interakcije struktura unutar zgrade kao što su opisali Bishnoi i Gupta u radu [16].

Chul i ostali su u radu [17] prikazali metodologiju, koja korištenjem raznih strategija ublažavanja posljedica teških nuklearnih nesreća određuje okolišne uvjete pomoću MAAP programa. MAAP program računa okolišne uvjete kao što su tlak i temperatura, ali ne računa doze. Zbog toga je potrebno koristiti MAAP DOSE model kako bi se dobile brzine doza tijekom teške nuklearne nesreće. Tu je problematiku opisao Seo u radu [18], ali samo na primjeru bazena za istrošeno gorivo i okolnog prostora za upravljanje gorivom.

Regulatornu podlogu i potrebne korake pri kvalificiranju električne opreme s obzirom na okolišne uvjete su teorijski opisali Seo i ostali u radu [19]. Detaljniji postupak su prikazali Yan i ostali u radu [20], u kojem su opisani odabrani uvjeti tijekom teške nuklearne nesreće. Zatim su na temelju tih uvjeta proračunati okolišni uvjeti korištenjem MAAP4 programa, identificirana je oprema koja je potrebna tijekom teških nuklearnih nesreća te je određeno za svaku pojedinu grupu opreme koje uvjete oprema mora izdržati. Yu i Wang su u radu [21] prvo opisali regulatornu osnovu, zatim postupak određivanja potrebne instrumentacije i određenih vremenskih faza tijekom teške nuklearne nesreće. Na kraju su odredili okolišne uvjete za izabrane scenarije teških nuklearnih nesreća i mogućnost opreme da izdrži te uvjete. Kyungha i ostali su u radu [22] prikazali na primjeru polimera Viton, materijala koji se koristi za brtvljenje, kako se mijenjaju njegove karakteristike tijekom teške nuklearne nesreće.

Za određivanje putanje primarnog radioaktivnog sadržaja jezgre, potrebno je korištenje nekoliko nuklearnih računalnih programa, te poznavanje teorijske podloge tih programa kako bi se kvalitetno pripremili ulazni parametri i tumačili dobiveni rezultati. Također, potrebno je za svaki dio procesa odabrati odgovarajući nuklearni računalni program koji će najbolje opisati taj proces. Grgić i ostali su u radu [23] opisali pripremu podataka za dio tog područja, što uključuje upotrebu ORIGEN2 programa kako bi se izračunao sadržaj izotopa, ostatna toplina i radioaktivnost za stvarne uvjete koji vladaju u postrojenju.

Kao što je vidljivo iz navedenih istraživanja, ona su samo djelomično povezana s područjem ove disertacije, ali dobro ilustriraju znanja potrebna za realizaciju metodologije proračuna okolišnih uvjeta.

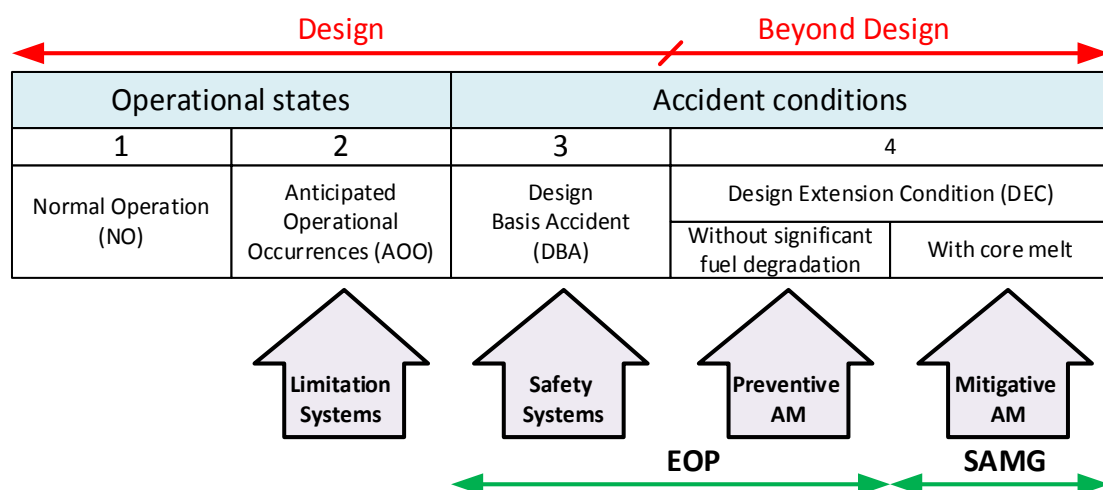
1.3. Struktura disertacije

U poglavlju 2 je teorijski opisan postupak dokazivanja opstojnosti opreme te važnost istraživanja za znanstvenu zajednicu i industriju što je dodatno objašnjeno na primjeru nuklearne elektrane Krško. Sam opis metodologije proračuna okolišnih uvjeta, pojedini koraci metodologije i specifičnosti korištenih modela su definirani u poglavlju 3. Poglavlje 4 prikazuje primjenu metodologije proračuna okolišnih uvjeta na različite zgrade u nuklearnoj elektrani te rezultate i analizu rezultata. U poglavlju 5 je opisan korišten dodatni model radijativne poveznice između reaktorske zgrade i susjednih zgrada koji vjernije modelira prijenos topline između reaktorske zgrade i susjednih zgrada. Poglavlje 6 opisuje korištene modele za određivanje radioaktivnog sadržaja jezgre kako bi se modeliralo širenje radioaktivnog sadržaja iz reaktorske zgrade. U poglavlju 7 je dan zaključak koji uključuje buduća istraživanja. Na kraju ove disertacije se nalazi referentna literatura.

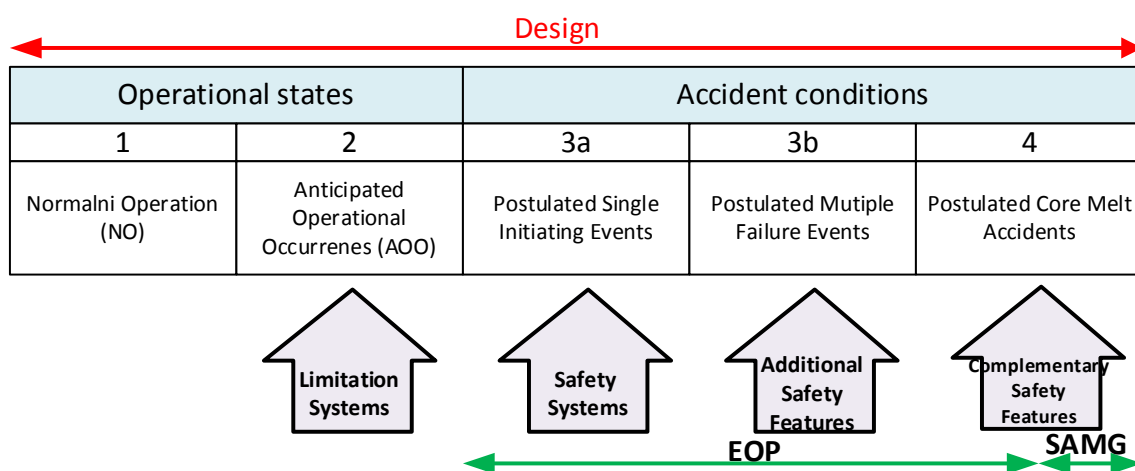
2. TEORIJSKA PODLOGA

2.1. Dokazivanje opstojnosti opreme

Kvalifikacija električne opreme osigurava funkcioniranje opreme koja ima sigurnosnu funkciju tijekom i nakon projektne nesreće. Nakon nesreće u Fukushima Daiichi bilo je jasno da je većina postojećih nuklearnih elektrana projektirana za projektne nesreće, ali da njihova sposobnost da se nose s teškim nesrećama mora biti dodatno procijenjena. Slika 2-1 i Slika 2-2 pokazuju da nove nuklearne elektrane moraju izdržati uvjete teške nuklearne nesreće bez značajnijeg oštećenja goriva i biti sposobne ublažiti posljedice teške nuklearne nesreće s taljenjem jezgre, što nije bio slučaj za postojeće nuklearne elektrane.



Slika 2-1: Koncept obrane po dubini – postojeće nuklearne elektrane



Slika 2-2 Koncept obrane po dubini – nove nuklearne elektrane

Sigurnost nuklearnih postrojenja zasniva se na konceptu obrane po dubini, koji osigurava zaštitu osoblja elektrane, okolnog stanovništva i okoliša. Prvotni, strogo deterministički koncept koji datira iz sredine dvadesetog stoljeća temeljen je na fizičkim preprekama između radioaktivnih materijala i okoline [24]. Međutim, samo primjena ovog koncepta nije mogla dovoljno jamčiti sigurnost nuklearnih postrojenja. Koncept je s vremenom usavršavan uključivanjem dodatnih faktora, poput kvalitete u dizajnu, izgradnji i upravljanju nuklearnim reaktorom. U idućem razdoblju definiraju se pojmovi redundancije i diverziteta zaštitnih mjera obrane po dubini, a osim strogo fizičkih mjera obrane, razmatraju se faktori poput izbora lokacije nuklearne elektrane. Devedesetih godina prošlog stoljeća obilježene su razvojem probabilističkih metoda, koje su dale novu dimenziju obrani po dubini. Na taj se način koncept obrane po dubini postupno usavršavao kako bi u konačnici omogućio sprječavanje širokog spektra mogućih incidenata i nesreća te ublažavanje njihovih posljedica [25]. Incidenti i nesreće su određeni na temelju pojedinačnih početnih događaja odabranih prema frekvenciji, procijenjenoj iz industrijskog iskustva. Ukratko, obrana po dubini se sastoji od višestrukih redundantnih, diverzitetnih i neovisnih mjera namijenjenih očuvanju integriteta fizičkih barijera tijekom normalnog rada, tranzijenata i nesreća. Obrana po dubini je strukturirana u nekoliko razina što znači da ako jedna razina zakaže, druga razina mora odraditi svoju zadaću.

Primarni način sprječavanja nezgoda je postizanje visoke kvalitete dizajna, izgradnje i rada postrojenja, čime se osiguravaju odstupanja od normalnog rada nuklearne elektrane. Upravo zato se od novih nuklearnih elektrana nakon nesreće u Fukushima Daiichi zahtijevao dizajn koji omogućava koncept obrane po dubini u više razina nego što je to bilo potrebno za postojeće nuklearne elektrane (usporedba je prikazana na Slika 2-3 i Slika 2-4).

Projektna nesreća (engl. Design Basis Accident – DBA) je nesreća za koju je nuklearna elektrana projektirana prema utvrđenim projektnim kriterijima, i za koju je oštećenje goriva i ispuštanje radioaktivnog materijala unutar dopuštenih ograničenja. Vanprojektna nesreća (engl. Beyond Design Basis Accident – BDBA) uključuje teže uvjete nesreće u usporedbi s projektiranom nesrećom i može, ali i ne mora uključivati rastapanje nuklearne jezgre. Teška nuklearna nesreća (engl. Severe Accident – SA) uključuje teže uvjete nesreće u usporedbi s projektnom nesrećom i značajno rastapanje nuklearne jezgre.

Upravljanje nesrećom je poduzimanje skupa radnji tijekom razvoja vanprojektna nesreće te uključuje:

- a) sprječavanje eskalacije događaja u tešku nuklearnu nesreću,

- b) ublažavanje posljedica teške nuklearne nesreće,
- c) postizanje dugoročnog stabilnog stanja nuklearne elektrane.

Upravljanje nesrećom u preventivnoj domeni služi sprječavanju eskalacije događaja u tešku nuklearnu nesreću. Smjernice za upravljanje nesrećom su preskriptivne jer je status elektrane poznat iz raspoloživih instrumenata i posljedice radnji se mogu unaprijed odrediti odgovarajućom analizom. Te smjernice se zovu procedure za hitne slučajeve (engl. Emergency Operating Procedure - EOP) i pokrivaju projektne i vanprojektne nesreće prije nego dođe do oštećenja nuklearne jezgre.

Upravljanje nesrećom u domeni ublažavanja posljedica teške nuklearne nesreće naziva se i upravljanje teškom nuklearnom nesrećom. Smjernice za upravljanje teškim nuklearnim nesrećama (engl. Severe Accident Management Guidance - SAMG) definiraju strategije za sprječavanje i ublažavanje posljedica teških nuklearnih nesreća [26]. U domeni ublažavanja posljedica teške nuklearne nesreće postoje neizvjesnosti i u statusu elektrane i u ishodu poduzetih radnji. Zbog toga, smjernice ne smiju biti strogo preskriptivne prirode, već trebaju predložiti raspon mogućih mjera ublažavanja te omogućiti dodatnu procjenu i alternativne akcije. Smjernice trebaju sadržavati ishod pozitivnih posljedica kao i opis potencijalnih negativnih posljedica predloženih radnji, uključujući kvantitativne podatke ako su dostupni i relevantni. Dodatno, smjernice trebaju sadržavati dovoljno informacija kako bi osoblje elektrane moglo donijeti odgovarajuću odluku o radnjama koje treba poduzeti tijekom nesreće.

SAMG su unaprijed identificirane protumjere i strategije određene za nuklearnu elektranu koje osoblje nuklearne elektrane pomažu pri donošenju odluka i dovođenju nuklearne elektrane u stabilno stanje. Oprema potrebna za praćenje i ublažavanje teških nuklearnih nesreća je definirana u SAMG procedurama. Primjerice, takva oprema ugrađena u kontejnment uobičajeno uključuje izolacijske ventile kontejnmenta, motorne ili zračne ventile sustava za hlađenje jezgre u hitnim slučajevima (engl. Emergency Core Cooling System - ECCS), energetskim kabelima i prodorima kontejnmenta. Ova oprema mora pouzdano obavljati svoju predviđenu sigurnosnu funkciju tijekom i nakon teške nuklearne nesreće. Postoji i oprema za ublažavanje posljedica teške nuklearne nesreće koja može biti neizravno izložena posljedicama teških nesreća (npr. povišena temperatura i zračenje).

Tijekom teške nuklearne nesreće može biti ugrožena barijera za fisijske produkte između radioaktivnog goriva unutar nuklearne elektrane i okoline. Zbog toga su potrebne različite strategije ublažavanja nuklearne nesreće kako bi se spriječilo radiološko ispuštanje u

okolinu. To uključuje zaustavljanje degradacije jezgre, održavanje integriteta reaktorske posude, održavanje integriteta kontejnmenta i sprječavanje radioaktivnog materijala da zaobiđe (engl. bypass) barijeru kontejnmenta kako bi se postiglo dugoročno stabilno stanje nuklearne elektrane. Zbog toga je potrebno instalirati instrumentaciju za praćenje integriteta barijera fisijских produkata koja je neophodna za ublažavanje teških nuklearnih nesreća, a namijenjena je pružanju odgovarajućih informacija za donošenje odluka [3]. Glavna funkcija takve instrumentacije je pružiti pouzdane i nedvosmislene informacije čak i tijekom ekstremnih uvjeta teške nuklearne nesreće. Glavni parametar za određivanje neadekvatnog hlađenja jezgre je najčešće izlazna temperatura jezgre. Glavni parametar za određivanje integriteta kontejnmenta je tlak unutar kontejnmenta i radioaktivno ispuštanje izvan kontejnmenta. Takva instrumentacija je uobičajeno kvalificirana za DBA uvjete, ali je moguće postavljanje štita kako bi se mogla koristiti u uvjetima teške nuklearne nesreće. Instrumentacija dizajnirana za DBA uvjete možda neće moći osigurati točnost mjerenja u uvjetima teške nuklearne nesreće, što je prihvatljivo jer je trend ovih parametara važniji od dobivanja točne vrijednosti određene veličine.

Problematika kvalifikacije električne opreme (EQ) je povijesno prethodila istraživanjima na području dokazivanja opstojnosti opreme (ES) tijekom i nakon teških nuklearnih nesreća. Između dva navedena postupka postoji bitna razlika. Kvalifikacija električne opreme uključuje uvjete projektnih nuklearnih nesreća, dok demonstriranje opstojnosti opreme uključuje uvjete tijekom i nakon vanprojektnih nesreća (engl. Design Extension Conditions – DEC), odnosno teških nuklearnih nesreća. Iako djeluje da je to samo nastavak i nadogradnja trenutno korištenog postupka kvalifikacije opreme, to je samo donekle točno. Naime, vjerojatnost vanprojektna ili teške nuklearne nesreće je iznimno mala. Osim nesreća u Three Mile Island gdje je oštećena reaktorska jezgra, a sačuvan je integritet kontejnmenta i nesreće u Fukushima Daiichi, u kojoj je oštećena i reaktorska jezgra, reaktorska posuda i reaktorska zgrada, postoji jako malo dostupnih podataka i saznanja o fazama vanprojektna ili teške nesreće. Zaključak je da se o teškim nuklearnim nesrećama općenito manje zna i neodređenosti u analizama su bitno veće. To sve otežava znanstvena istraživanja i ona su se do sada uglavnom temeljila na pokušajima razumijevanja razvoja stanja nuklearne elektrane zabilježenog tijekom dosadašnjih nesreća.

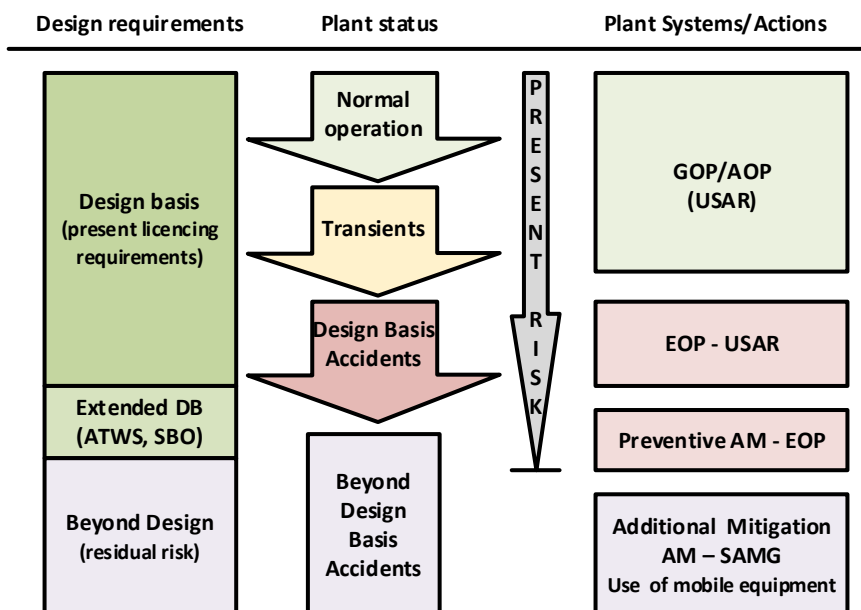
Kako bi se riješili navedeni problemi i izazovi tijekom teške nuklearne nesreće, razvijena metodologija proračuna okolišnih uvjeta će uvelike olakšati odabir lokacija gdje se

može instalirati DEC oprema i instrumentacija od važnosti za ublažavanje posljedica teških nuklearnih nesreća.

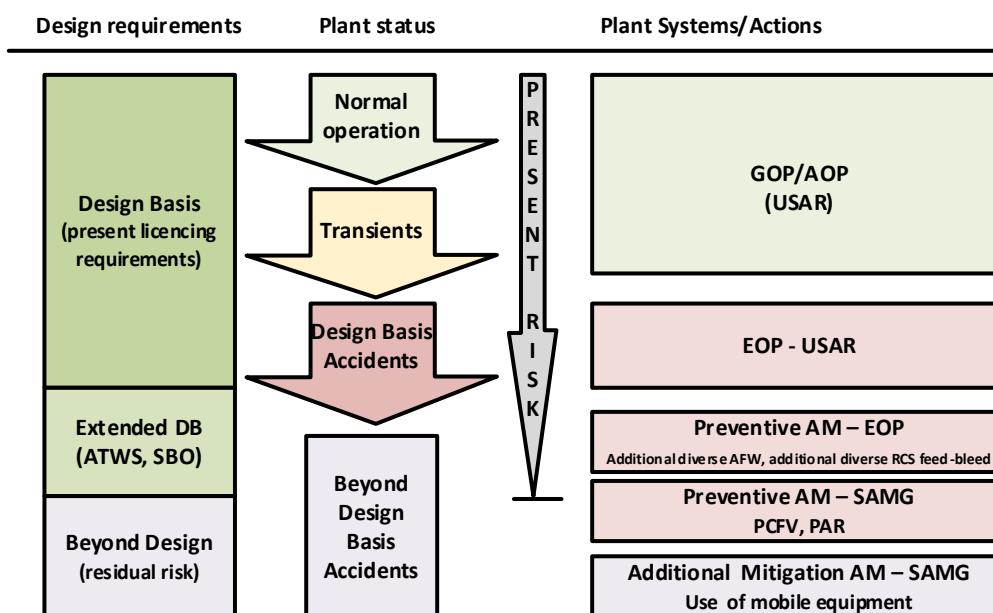
2.2. Korisnost metodologije proračuna okolišnih uvjeta u industriji

Funkcionalnost sigurnosne opreme se pogoršava zbog starenja opreme i uslijed nepovoljnih okolišnih uvjeta. Zbog toga je svrha kvalifikacije električne opreme pokazati sposobnost sigurnosne opreme da obavlja svoju sigurnosnu funkciju uslijed projektne nesreće. EQ je jedan od koraka u postupku licenciranja prema američkim regulatornim dokumentima i standardima (10CFR50.49 [27], RG 1.89 [28], NUREG-0588 [29], IEEE-323 [30]). Kako nuklearna elektrana Krško pripada Westinghouseovom dizajnu, na NEK su uglavnom primjenjivi američki propisi, vodiči i standardi. Prema tome, NEK je bio obavezan uspostaviti EQ program u skladu s američkim zahtjevima [31]. Fakultet elektrotehnike i računarstva (FER) Sveučilišta u Zagrebu je također sudjelovao na uspješno provedenom projektu određivanja uvjeta EQ za NEK [32] i [33] pa su se ta iskustava iskoristila za ovu disertaciju.

Za američke nuklearne elektrane se u pravilu pretpostavlja životni vijek od 40 godina i zatim eventualno produženje životnog vijeka (engl. Life Extension) za još 20 godina, na čemu se temelji licenciranje elektrane. Za europske elektrane se provodi periodični sigurnosti pregled (engl. Periodic Safety Review) svakih 10 godina od početka do kraja rada nuklearne elektrane na temelju čega se obnavlja licenca nuklearne elektrane [34]. NEK koristi kombinaciju oba pristupa jer je riječ o elektrani temeljenoj na Westinghouseovom dizajnu, no smještanj u Europi. Životni vijek NEK produljen je za dodatnih 10 godina (do 2033.), uz mogućnost produljenja za dodatnih 10 godina ako elektrana položi tražene sigurnosne testove. Jedan od preduvjeta za produženje životnog vijeka je provedba programa nadogradnje sigurnosti (engl. Safety Upgrade Program - SUP) za koju je bilo potrebno odrediti DEC/SA okolišne uvjete. Rezultat je bio niz ugradnje i modifikacija opreme i sustava u nuklearnoj elektrani Krško kako bi se trenutna obrana po dubini prikazana na Slika 2-3 unaprijedila na stanje prikazano na Slika 2-4. NEK program nadogradnje sigurnosti se odvijao u tri faze i uključivao je nadogradnju različitih sustava, sigurnosnih funkcija i operatorskih procedura.



Slika 2-3 NEK Obrana po dubini – stanje prije provedbe programa nadogradnje sigurnosti



Slika 2-4 NEK Obrana po dubini – stanje poslije provedbe programa nadogradnje sigurnosti

Kao dio programa nadogradnje sigurnosti izgrađena je bunkerska zgrada 1 u kojoj se, između ostalog, nalaze pomoćna kontrolna soba, tehnički potporni centar i treći dizel generator. Funkcija pomoćne kontrolne sobe je osigurati potrebne resurse operatorima za postizanje i održavanje sigurnog zaustavljanja nuklearne elektrane nakon evakuacije iz glavne kontrolne sobe. Nuklearna elektrana je tako dizajnirana da se DEC sustavima može upravljati iz glavne kontrolne sobe i iz pomoćne kontrolne sobe. Tehnički potporni centar se nalazi kraj pomoćne

kontrolne sobe i osigurava sinergiju tima tehničkog potpornog centra i operatera pomoćne kontrolne sobe tijekom teške nuklearne nesreće. Nove DEC komponente su spojene na MD3 sabirnicu koja je neovisna i napaja se iz više izvora, uključujući treći dizel generator u slučaju nedostupnosti glavnog napajanja. Rad trećeg dizel generatora je neovisan o radu drugih sustava i njegova lokacija je dodatno zaštićena od poplava i potresa.

Kako bi se dodatno osigurao integritet kontejnmenta 2013. godine su ugrađena dva nova sustava: sustav pasivnih autokatalitičkih rekombinatora i sustav za filtrirani pasivni ispušt iz kontejnmenta. Tijekom teške nuklearne nesreće moguć je nastanak značajne količine vodika. Zbog toga sustav pasivnih autokatalitičkih rekombinatora ograničava koncentraciju zapaljivog vodika u kontejnmentu kako bi očuvao integritet kontejnmenta. U slučaju nesreće nuklearne elektrane koja uključuje oštećenje jezgre, dolazi do povećanja tlaka u kontejnmentu. Sustav za filtrirani pasivni ispušt iz kontejnmenta omogućava smanjenje tlaka u kontejnmentu uz minimiziranje ispuštanja radioaktivnosti u okoliš i očuvanje integriteta kontejnmenta. Još jedan sustav u kontejnmentu koji je unaprijeđen za DEC uvjete su rasteretni ventili tlačnika. Rasteretni ventili tlačnika snižavaju tlak u primarnom rashladnom krugu i time omogućuju hlađenje jezgre i sprječavanje puknuća reaktorske posude. Unutar programa nadogradnje sigurnosti, ugrađena je nova *bypass* linija uključujući dva motorno upravljana ventila koji se napajaju iz bunkerske zgrade 1.

Program nadogradnje sigurnosti je uključivao i zamjenu turbinske pumpe pomoćnog sustava napojne vode (engl. Auxiliary Feedwater System - AFW). Primarna funkcija pomoćnog sustava napojne vode je osigurati opskrbu napojne vode u parogeneratoru kada je glavna napojna voda nedostupna zbog gubitka vanjskog napajanja. Pomoćni sustav napojne vode se sastoji od tri pumpe: dvije motorne i jedne turbinske. Svaka motorna pumpa može opskrbiti po jedan parogenerator, dok turbinska pumpa može opskrbiti oba parogeneratora istodobno.

U pomoćnoj zgradi je ugrađena dodatna pumpa sustava za odvođenje ostatne topline (engl. Alternative Residual Heat System - ARHR) kako bi osigurala alternativno hlađenje primarnog rashladnog kruga. Pumpa se napaja iz trećeg dizel generatora. U normalnom pogonu, sustav za odvođenje ostatne topline odvodi ostatnu toplinu nuklearne elektrane tijekom izmjene goriva. Za vrijeme nesreće pumpa osigurava sigurnosno ubrizgavanje hladioca u primarni rashladni krug i dugotrajno hlađenje kako bi se osiguralo stabilno stanje nuklearne elektrane.

U bunkerskoj zgradi 2 je ugrađen alternativni sustav za sigurnosno ubrizgavanje hladioca (engl. Alternative Safety Injection - ASI) koji ubrizgava boriranu vodu u primarni rashladni krug u DEC uvjetima. Time se nadoknađuje gubitak hladioca tijekom nuklearne

nesreće i osigurava hlađenje primarnog rashladnog kruga. Spremnik vode za sigurnosno ubrizgavanje se nalazi u bunkerskoj zgradi 2. Pumpa za sigurnosno ubrizgavanje se napaja iz 6,3 kV MD3 sabirnice dok se sustav upravljanja nalazi u bunkerskoj zgradi 1.

U bunkerskoj zgradi 2 je također ugrađen alternativni sustav napojne vode (engl. Alternative Auxiliary Feedwater - AAF) koji ima funkciju istovjetnu prethodno opisanu glavnom sustavu napojne vode, no u DEC uvjetima. Pripadajući spremnik vode se nalazi u bunkerskoj zgradi 2. Pumpa za alternativni sustav napojne vode se napaja se iz 6,3 kV MD3 sabirnice dok se sustav upravljanja nalazi u bunkerskoj zgradi 1.

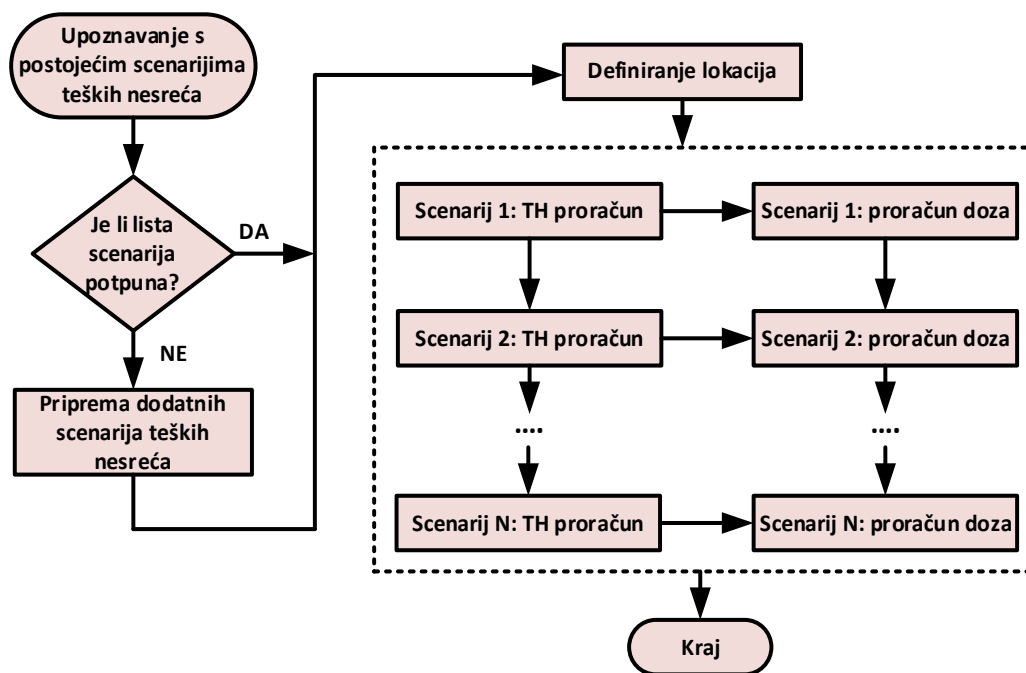
Nove mjere za zgradu za istrošeno gorivo uključuju dodavanje alternativnog napajanja električnom energijom i alternativnog hlađenja bazena za istrošeno gorivo u slučaju BDBA nesreće. To je postignuto ugradnjom dodatnih priključaka kako bi se omogućilo hlađenje bazena iz više različitih izvora vode, ugradnjom alternativnog sustava mjerenja temperature i mjerenja razine vode s neovisnim sustavom napajanja i osiguravanjem vatrogasnog vozila velikog kapaciteta vode. Također je ugrađen mobilni izmjenjivač topline koji može ukloniti toplinsko opterećenje od 8,4 MW i održavati temperaturu hladioca u bazenu za istrošeno gorivo ispod 80 °C. Novo ugrađeni sprej sustav omogućava održavanje temperature gorivnog elementa ispod 400 °C u slučaju kada je hladioc u bazenu za istrošeno gorivo djelomično ili potpuno neoperabilan. Novi sustav snižavanja tlaka koji se sastoji od rasteretnih panela na vrhu zgrade za istrošeno gorivo služi za pasivno snižavanje tlaka u zgradi za istrošeno gorivo. Kapacitet bazena za istrošeno gorivo bio je dovoljan za inicijalno predviđeno razdoblje rada elektrane. Zbog toga je izgrađena nova zgrada za suho skladištenje istrošenog goriva s kapacitetom za 2600 gorivnih elemenata i minimalnim životnim vijekom od 60 godina.

Tehničke specifikacije za DEC uvjete (engl. Design Extension Conditions Technical Specifications - DECTS) su pandan standardnim Tehničkim specifikacijama i definiraju granične uvjete za rad nuklearne elektrane (engl. Limiting Conditions for Operation - LCO) za sve DEC sustave. Uloga DEC sustava je da spriječe ili ublaže posljedice oštećenja goriva tijekom DEC nesreće i/ili ublaže posljedice teške nuklearne nesreće. U slučaju da DEC LCO nisu zadovoljeni, potrebno je obavijestiti regulatora, što je u slučaju NEK Ured Republike Slovenije za nuklearnu sigurnost (slov. Ured Republike Slovenije za jedrsko varnost - URSJV). U DECTS se definira vrijeme u kojem nuklearna elektrana mora obavijestiti regulatora. DECTS također uključuje popis DEC opreme, te intervale njihovog nadzora i ispitivanja.

3. METODOLOGIJA PRORAČUNA OKOLIŠNIH UVJETA BITNIH ZA FUNCIONALNOST ELEKTRIČNE OPREME NAKON TEŠKE NUKLEARNE NESREĆE

3.1. Opis metodologije proračuna okolišnih uvjeta

Metodologija proračuna okolišnih uvjeta za dokazivanje opstojnosti električne opreme obuhvaća široko nuklearno područje, od razumijevanja tijekom teških nuklearnih nesreća, izbora odgovarajućih teških nuklearnih nesreća, izbora različitih lokacija unutar nuklearne elektrane, primjene različitih nuklearnih računalnih programa do njihovog međusobnog povezivanja. Slika 3-1 prikazuje dijagram metodologije proračuna okolišnih uvjeta, koji opisuje korake i njihov redoslijed pri određivanju okolišnih uvjeta nakon teške nuklearne nesreće.



Slika 3-1 Dijagram metodologije proračuna okolišnih uvjeta

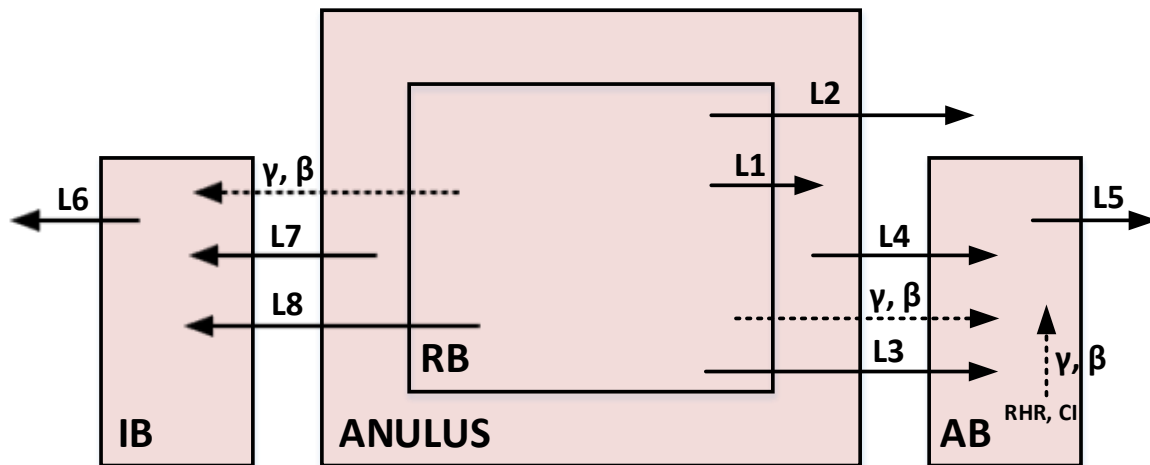
Prvi korak metodologije proračuna okolišnih uvjeta je upoznavanje s postojećim scenarijima teških nuklearnih nesreća kako bi se bolje upoznao opseg tranzijenata koji mogu dovesti do teške nuklearne nesreće i u skladu s time do okolišnih uvjeta za koje se treba kvalificirati oprema. Nakon toga je potrebno procijeniti je li lista scenarija potpuna. Ako je lista scenarija potpuna, moguće je definirati lokacije. Lokacije su ona mjesta na kojima se nalazi oprema, koja je potrebna raditi tijekom i nakon vanprojektnih nesreća i za koje želimo znati okolišne uvjete. Ako lista scenarija nije potpuna, definiraju su se dodatni scenariji teških

nuklearnih nesreća i tek se onda mogu definirati lokacije. Za svaki pojedini scenarij teške nuklearne nesreće, definiraju se ulazni parametri te su provode termohidraulički proračuni korištenjem odgovarajućih nuklearnih računalnih programa. Nakon provedenih termohidrauličkih proračuna odabranih lokacija, može se izvršiti proračun doza za iste lokacije i promatrane scenarije. Time je završen postupak definiranja okolišnih uvjeta tijekom i nakon teške nuklearne nesreće.

Radioaktivni sadržaj nuklearne jezgre koji je oslobođen tijekom teške nuklearne nesreće (engl. *source term*) se računa pomoću MAAP modela (MAAP je nuklearni računalni program objašnjen u poglavlju 3.2.1), koji je razvijen u NEK-u ili pomoću MELCOR modela (MELCOR je nuklearni računalni program objašnjen u poglavlju 3.2.2) koji je razvijen na FER-u. Najbolje je koristiti MAAP model i rezultate ograničavajućeg scenarija, koji uzrokuje najnepogodnije okolišne uvjete, verificirati s MELCOR ili RELAP5-SCADP modelom (RELAP5-SCADP je nuklearni računalni program koji nije korišten u ovoj disertaciji). *Source term* koji se širi iz nuklearne jezgre u atmosferu kontejnmenta i bazen kontejnmenta (engl. *containment sump*) služi kao ulazni podatak za računanje radioloških posljedica. On se računa pomoću MAAP/MELCOR modela i uspoređuje s vrijednostima definiranim u TID-14844 [35]. TID-14844 opisuje oslobađanje fisijskih produkata iz nuklearne jezgre u kontejnment u slučaju događaja koji uključuje značajnije taljenje jezgre. NUREG-1465 [36] je nastao kao nadogradnja TID-14844 koja uzima u obzir godine istraživanja teških nuklearnih nesreća i pri tome daje realističnije rezultate. Unaprijeđeni *source term* opisan u NUREG-1465 je primijenjen na sve nove nuklearne elektrane. Za proračun bilo kojeg drugog primarnog *source term* se koristi ORIGEN iz SCALE paketa programa (ORIGEN je nuklearni računalni program objašnjen u poglavlju 3.2.5.1).

Pomoćna zgrada (engl. *Auxiliary Building - AB*) i međuzgrada (engl. *Intermediate Building - IB*) su modelirane u GOTHIC programu (GOTHIC je nuklearni računalni program objašnjen u poglavlju 3.2.3). GOTHIC model pomoćne zgrade i međuzgrade se koristi za izračun termohidrauličkih (engl. *thermohydraulic - TH*) uvjeta i proračun doza. GOTHIC program može pratiti radioaktivne efluente koji putuju u plinovitoj fazi i koncentracije u zraku u određenim prostorijama. Doze u pomoćnoj zgradi, međuzgradi i okolini se računaju na temelju različitih putanja curenja iz reaktorske zgrade kao što to prikazuje Slika 3-2. Curenje se modelira pomoćnu umjetno stvorenih veza između različitih zgrada koje zadovoljavaju kriterije curenja prema NEK tehničkim specifikacijama (engl. *Technical Specifications - TS*) u iznosu od 0,2 %/dan na 0.3 MPa (maksimalni nominalni tlak kontejnmenta), kao što je

navedeno u referenci [37]. Slična metoda se koristi i za određivanje doza izvan kontejnmenta, u bunkerskoj zgradi 1 (engl. Bunkered Building 1 - BB1) i na mjestu gdje se nalazi oprema za upravljanje teškim nuklearnim nesrećama (engl. Severe Accident Management Equipment - SAME). Gama doze iz kontejnmenta u AB i IB sobama susjednim kontejnmentu i izvan kontejnmenta se računaju zajedno sa *shine* dozama zbog recirkulacije vode putem sustava za odvođenje ostatne topline (engl. Residual Heat Removal System – RHR) ili sustava sprejeva u kontejnmentu (engl. Containment spray - CI).

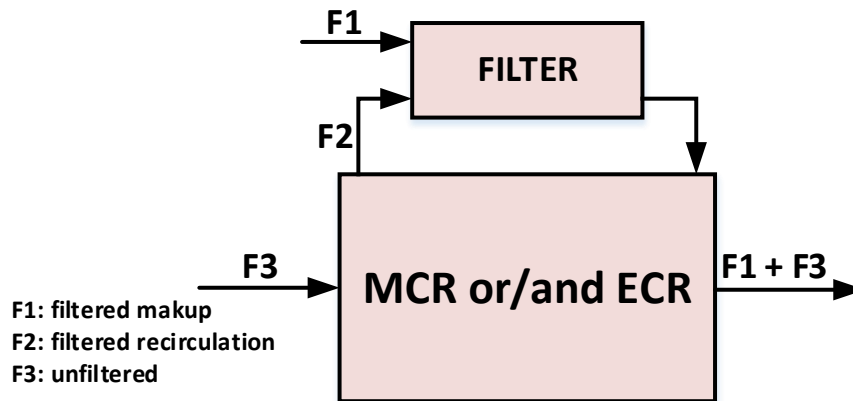


Slika 3-2 Putanje curenja iz reaktorske zgrade korištene za izračun doza

Shine doze i *immersion* zračenje, odnosno posljedično doze istoga imena (*immersion* doze), su usko povezani. *Shine* se odnosi na radijaciju iz izvora koji se nalazi na određenoj udaljenosti od promatranog ozračenog objekta. *Immersion* se odnosi na slučaj u kojem se ozračeni objekt nalazi unutar radioaktivnog medija. Primjer za *shine* slučaj je radioaktivni oblak koji se nalazi izvan zgrada nuklearne elektrane, no svejedno utječe na osoblje u nuklearnoj elektrani. *Immersion* slučaj se može opisati pojavom radioaktivne atmosfere u jednoj od prostorija nuklearne elektrane, što znači da je osoblje nuklearne elektrane koje se tamo nalazi uronjeno (engl. immersed) u radijaciju. Osim opisane prostorne razlike, *shine* i *immersion* zračenje se razlikuju i po tome što u *shine* slučaju prevladava gama zračenje, dok je beta zračenje manje izraženo jer je manje penetrantno. Kod *immersion* zračenja je potrebno uzeti u obzir obje vrste zračenja, beta i gama zračenje. U nuklearnoj elektrani je *immersion* zračenje posebno izraženo u prostorijama koje nemaju HVAC sustav s odgovarajućim filterom.

Slika 3-3 predstavlja shemu za proračun doza u glavnoj kontrolnoj sobi (engl. Main Control Room - MCR) i pomoćnoj kontrolnoj sobi (engl. Emergency Control Room - ECR). Poznavanje doza u glavnoj i pomoćnoj kontrolnoj sobi je potrebno za procjenu nastanjenosti,

odnosno kako bi se odredilo može li i koliko dugo osoblje elektrane biti u kontrolnoj sobi. *Makeup* i *recirculation* projektne brzine protoka su preuzete iz NEK ažuriranog izvješća o analizi sigurnosti (engl. Updated Safety Analysis Report - USAR) [38]. Izračun je proveden korištenjem programa RADTRAD (RADTRAD je nuklearni računalni program opisan u poglavlju 3.2.6) i ARCON96 (ARCON96 je nuklearni računalni program opisan u poglavlju 3.2.9).



Slika 3-3 Shema za izračun doza u glavnoj i pomoćnoj kontrolnoj sobi

Kako bi se izabrali scenariji teških nuklearnih nesreća koji su uključeni u metodologiju, bilo je potrebno prvo proučiti i razumjeti postojeće referentne scenarije teških nuklearnih nesreća razvijene za potrebe pojedinačnog ispitivanja elektrana (engl. Individual Plant Examination - IPE). Američka nuklearna regulatorna agencija (engl. United States Nuclear Regulatory Commission – U.S. NRC) je u dopisu [39] zatražila da svaka licencirana elektrana provede sustavno ispitivanje kako bi otkrila svoje ranjivosti na teške nuklearne nesreće i o tome izvijestila regulatora. Zbog toga je NEK kao prvi korak osnovao grupu koja se bavi probabilističkim sigurnosnim analizama (engl. Probabilistic Safety Assessment – PSA). PSA grupa je trebala otkriti koje su najvjerojatnije teške nuklearne nesreće, kvantificirati vjerojatnost oštećenja jezgre i ispuštanja fizijskih produkata, te smanjiti njihovu pojavu korištenjem različitih načina za sprječavanje i ublažavanje teških nuklearnih nesreća, kao što je detaljno opisano u [38].

Lokacije u nuklearnoj elektrani za koje se primjenjuje metodologija proračuna okolišnih uvjeta (podjela prema zgradama u elektrani):

1. Unutar reaktorske zgrade (engl. Reactor Building - RB) – Reaktorska zgrada je građena je od 76 cm debelog betona kao vanjske barijere i 3,8 cm debelog čelika kao unutarnje barijera. Anulus je prostor između betona i čelika je širine oko 1,5 m i nalazi se na

podtlaku. Unutrašnji dio obložen čelikom se zove kontejnment. Prednost dvije pregrade reaktorske zgrade je manji termalni stres, odnosno jedan materijal se ne izlaže istovremeno različitim utjecajima s vanjske i unutarnje strane. Čelik je zaštićen od vanjskih utjecaja, a beton od unutarnjih utjecaja te samo služi kao otpor vanjskim agresijama (reaktorska zgrada je projektirana da izdrži pad aviona). Iz toga proizlazi da je unutrašnji polumjer kontejnmenta 16,04 m, na to ide čelik debljine 3,8 cm, a iza čelične površine se nalazi anulus širine oko 1,5 m. Reaktorska zgrada ima unutrašnji polumjer 17,56 m na što se dodaje beton debljine 0,76 m i dalje vanjski polumjer reaktorske zgrade 18,32 m

2. Izvan reaktorske zgrade

- a. pomoćna zgrada (AB)
- b. međuzgrada (IB)
- c. bunkerska zgrada 1 (BB1)
- d. okolina

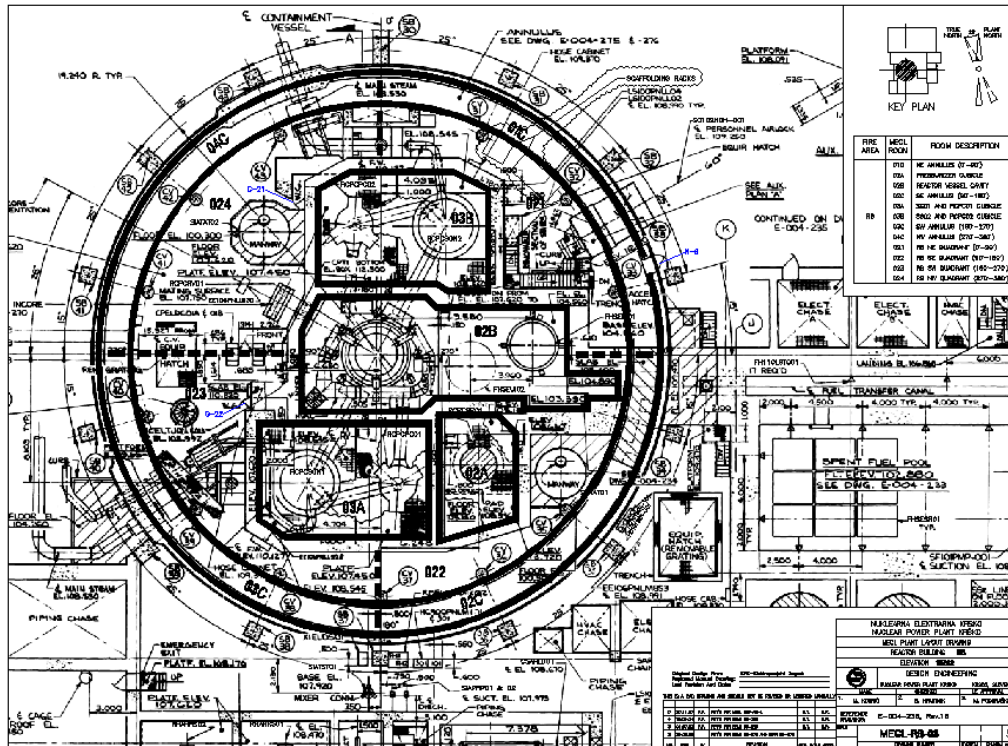
3. Zgrada za istrošeno gorivo (engl. Fuel Handling Building - FHB)

Odabrane zgrade su birane po principu svoje važnosti, odnosno to su zgrade u kojima se u standardnoj elektrani s nuklearnim reaktorom s vodom pod tlakom (engl. Pressurizer Water Reactor – PWR) nalazi oprema važna za sprječavanje i ublažavanje posljedica teških nuklearnih nesreća. Svaku pojedinu zgradu karakterizira drugačiji pristup koji se mora primijeniti kako bi se pravilno modeliralo preslikavanje okolišnih uvjeta iz reaktorske zgrade na susjedne zgrade.

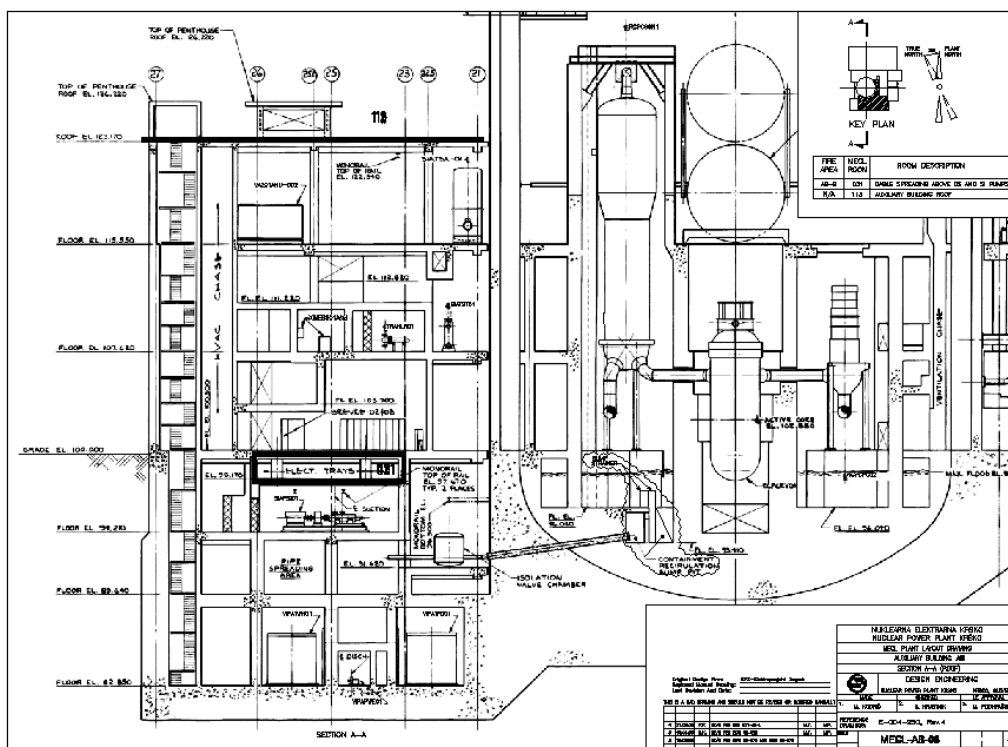
Lokacije u nuklearnoj elektrani za koje se primjenjuje metodologija proračuna okolišnih uvjeta (podjela prema namjeni):

1. Lokacije SAME i FLEX opreme (engl. Diverse and Flexible Coping Strategies – različite fleksibilne strategije ublažavanja posljedica teške nuklearne nesreće [40]) – pri čemu se provjerava i mogućnost pristupa tim lokacijama
2. Lokacije na kojima je smješteno osoblje nuklearne elektrane tijekom nesreće

Poglavlje 4 opisuje primjenu metodologije na nuklearnu elektranu Krško pa se za oznaku lokacija koristi serija NEK nacrtu pod nazivom *MECL Plant Layout Drawing*. Slika 3-4 prikazuje jedan tlocrt reaktorske zgrade na elevaciji 107,62 m, a Slika 3-5 nacrt pomoćne zgrade po različitim elevacijama nuklearne elektrane Krško.

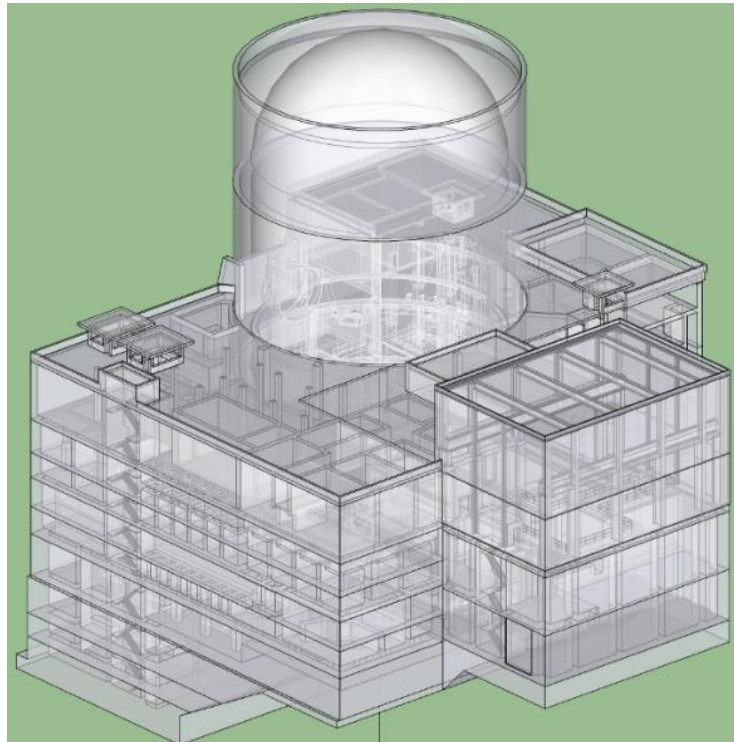


Slika 3-4 NEK tlocrt reaktorske zgrade na elevaciji 107,62 m



Slika 3-5 NEK nacrt pomoćne zgrade po različitim elevacijama

Za sve zgrade u nuklearnoj elektrani Krško je razvijen SketchUp model na FER-u. Slika 3-6 prikazuje SketchUP model reaktorske zgrade, pomoćne zgrade, međuzgrade i zgrade za istrošeno gorivo u nuklearnoj elektrani Krško.



Slika 3-6 NEK SketchUp model reaktorske zgrade, pomoćne zgrade, međuzgrade i zgrade za istrošeno gorivo

Scenariji teških nuklearnih nesreća od interesa za metodologiju proračuna okolišnih uvjeta su:

1. Gubitak električnog napajanja (engl. Station Blackout - SBO) – to je teška nuklearna nesreća koja se (među ostalim nesrećama) dogodila u Fukushimi. Ovaj događaj je ograničavajući scenarij za dimenzioniranje sustava pasivnih autokatalitičkih rekombinatora (engl. Passive Autocatalytic Recombiner – PAR) i sustava za filtrirani pasivni ispušni iz kontejnmenta (engl. Passive Containment Filtered Vent System – PCFV). Gubitak električnog napajanja prvenstveno služi za određivanje ES uvjeta za novu instrumentaciju unutar kontejnmenta i kao ulaz za analiziranje uvjeta izvan kontejnmenta (oprema za PCFV sustav se nalazi u pomoćnoj zgradi). Pretpostavlja se da je ovaj scenarij ograničavajući scenarij teških nuklearnih nesreća i kao takav osnova za projektiranje zaštitnih sustava unutar programa nadogradnje sigurnosti.

2. Gubitak električnog napajanja s ograničavanjem posljedica – to je scenarij gubitka električnog napajanja s ograničavanjem posljedica 24 sata nakon početka nesreće korištenjem mobilnih toplinskih izmjenjivača (engl. Mobile Heat Exchanger - MHX) RHR sustava. Time počinje recirkulacija iz bazena kontejnmenta tijekom *ex-vessel* faze. Ovaj događaj služi za određivanje ES uvjeta za dimenzioniranje nove RHR DEC opreme koja se nalazi u pomoćnoj zgradi i međuzgradi (oprema koja uključuje alternativno hlađenje primarnog kruga i kontejnmenta).
3. Puknuće U-cijevi parogeneratora (engl. Steam Generator Tube Rupture – SGTR) je događaj koji uključuje *bypass* reaktorske zgrade i širenje radioaktivnog sadržaja jezgre izvan kontejnmenta (direktno u okolinu). Ovaj događaj služi za određivanje ES uvjeta u bunkerskoj zgradi 1.
4. Gubitak rashladnog sredstva s ispuštanjem izvan kontejnmenta (engl. Interfacing System Loss of Coolant Accident – ISLOCA) je događaj koji uključuje *bypass* reaktorske zgrade i širenje radioaktivnog sadržaja jezgre izvan kontejnmenta.
5. Analize za zgradu za istrošeno gorivo su provedene prema općim smjernicama navedenim u [41]. Tijekom nesreće u četvrtoj jedinici nuklearne elektrane Fukushima Daiichi, operatori nisu imali pouzdanu instrumentaciju koja bi im pokazala nivo vode u bazenu za istrošeno gorivo (engl. Spent Fuel Pool – SFP) te je došlo do značajnog oštećenja goriva. Nakon nesreće je U.S. NRC zatražio da licencirane elektrane osiguraju instrumentaciju u bazenu za istrošeno gorivo kako bi se mogla pouzdano odrediti razina vode bazenu i pomoću toga donosile ključne odluke. Sukladno tom zahtjevu, za potrebe disertacije se promatraju sljedeći uvjeti:
 - a. Bazen za istrošeno gorivo s razinom vode kada je gorivo pokriveno
 - b. Bazen za istrošeno gorivo s razinom vode koji se zahtjeva prema NEI-12-02 [42].

Na temelju rezultata probabilističkih analiza ne očekuje se da će se nesreća u zgradi za istrošeno gorivo dogoditi istodobno s nesrećama 1 – 4, ali se svejedno taj slučaj razmotrio u ovoj disertaciji jer se upravo to dogodilo u Fukushimai Daiichi.

Važni promatrani okolišni uvjeti za potrebe metodologije proračuna okolišnih uvjeta su:

1. Povezani s termohidrauličkim proračunima

- Vremenski ovisni tlakovi (kPa) – uključujući i lokalne efekte izgaranja vodika
 - Vremenski ovisne temperature (°C) – uključujući lokalne efekte izgaranja vodika, akumulaciju fizijskih produkata zbog pasivnih autokatalitičkih rekombinatora i sustava za filtrirani pasivni ispust iz kontejnmenta
 - Vremenski ovisne relativne vlažnosti (%)
2. Povezani s proračunom doza
 - Vremenski ovisne brzine doza (Gy/h)
 - Vremenski ovisne ukupne doze (Gy)
 3. Kemijski sastav

Proračun okolišnih uvjeta mora identificirati i pokriti sve vremenske okvire koje zahtijeva ES, a to su:

1. Faza prije otkrivanja jezgre
2. Faza zagrijavanja jezgre
3. Faza koja pokriva oštećenje goriva unutar reaktorske posude (engl. In-Vessel Phase)
4. Faza koja pokriva prodor rastaljenog goriva iz reaktorske posude u kontejnment (engl. Ex-Vessel Phase)

Funkcionalnost dijela opreme je zahtijevana godinu dana nakon akcidenta. Zbog toga je zahtijevano promatrano maksimalno vrijeme od jedne godine kako bi se odredili vremenski ovisni okolišni uvjeti. Za prostor glavne i pomoćne kontrolne sobe promatra se razdoblje od 30 dana.

Na osnovi sustavno provedenih proračuna teških nuklearnih nesreća, definiran je set okolišnih uvjeta u kojima električna oprema mora funkcionirati, odnosno određena je envelope svih izračunatih okolišnih uvjeta za sigurnosnu opremu. Okolišni uvjeti su određeni tako da su reprezentativni za bilo koju tešku nuklearnu nesreću. Jednom određeni okolišni uvjeti se mogu koristiti za projektiranje i verificiranje mogućnosti opreme da ispravno funkcionira u tim uvjetima traženo vrijeme. Električna oprema koja mora raditi tijekom i nakon teške nuklearne nesreće mora moći izdržati okolišne uvjete određene metodologijom. Metodologija proračuna okolišnih uvjeta pokriva sve relevantne prostore nuklearne elektrane, te se prostori u nuklearnoj elektrani nakon primjene metodologije mogu združiti po osnovi sličnih okolišnih uvjeta nakon teške nuklearne nesreće.

Proračun uvjeta u reaktorskoj zgradi čini osnovni dio proračuna metodologije i služi za određivanje *source term*. Za proračun uvjeta u ostalim zgradama uključujući zgrade susjedne reaktorskoj zgradi i zgrade udaljene od reaktorske zgrade stanje unutar reaktorske zgrade je izvor poremećaja. Za zgrade susjedne reaktorskoj zgradi treba se dodatno izračunati prijenos topline sa reaktorske zgrade na zgrade susjedne reaktorskoj zgradi i to na dva načina:

1. preko sustava koji prelaze granicu kontejnmenta – putanjama curenja, što je opisano u poglavljima 4.2.1 (za pomoćnu zgradu) i 4.3.1 (za međuzgradu)
2. konvekcijom i zračenjem, što je opisano u poglavlju 5.2.

Za određivanje radioloških uvjeta potrebno je razumijevanje poveznice između primarnog *source term* i prisutnosti radioaktivnog sadržaja jezgre po pojedinim modulima nuklearnih računalnih programa za teške nuklearne nesreće. Dodatno, to uključuje modeliranje širenja radioaktivnog sadržaja jezgre iz reaktorske zgrade, određivanje brzina curenja i kategorije ispuštanja koje odlaze izravno u okoliš, u anulus ili u zgrade susjedne reaktorskoj zgradi, što je opisano u poglavlju 6.1.

3.2. Korišteni nuklearni računalni programi

Nuklearni računalni programi imaju ključnu ulogu u projektiranju, licenciranju i radu nuklearnih elektrana. Velike nuklearne nesreće Three Mile Island, Černobil i Fukushima Daiichi su rezultirale razvojem nuklearnih računalnih programa, metoda modeliranja nuklearnih nesreća i poboljšanje modela. Nesreća u elektrani Three Mile Island doprinijela je razvoju modeliranja nesreća s taljenjem jezgre, a nesreća u Fukushima Daiichi razvoju modeliranja nesreća s radioaktivnim ispuštanjem u okoliš.

Metodologija proračuna okolišnih uvjeta uzima u obzir posebnost svake lokacije od interesa gdje treba smjestiti određenu opremu ili kojoj treba pristupiti osoblje elektrane. Okolišni uvjeti na tim lokacijama se ne određuju jednako za sve zgrade u nuklearnoj elektrani, već je potrebno svakoj zgradi i sobi unutar zgrade pristupiti na drugačiji način. Zbog toga je potrebno koristiti više nuklearnih računalnih programa kako bi se modelirale sve veze između zgrada i soba. U obzir treba uzeti da se koristi potpuno druga vrsta proračuna ako postoji ispuštanje radioaktivnog sadržaja u okoliš.

Navedeni nuklearni računalni programi su korišteni u ovoj disertaciji ovisno o scenarijima nesreće, području primjene i posebnosti korištenih modela:

1. Za termohidrauličke proračune korišteni su nuklearni računalni programi:
 - a. MAAP koji sadrži integralni pristup proračunu teških nuklearnih nesreća (fenomenološki model)
 - b. MELCOR koji sadrži integralni pristup proračunu teških nuklearnih nesreća (mehanicistički model)
 - c. GOTHIC u kojem je moguće modelirati zgrade i u kojem se može djelomično pratiti radioaktivni materijal u parnoj i tekućoj fazi
2. Za određivanje radioaktivnog sadržaja jezgre korišteni su nuklearni računalni programi:
 - a. PARCS koji je potreban za računanje odgora (odgor je potreban za računanje radioaktivnog materijala u jezgri)
 - b. SCALE
 - ORIGEN (dio SCALE skupa nuklearnih računalnih programa) koji računa primarni radioaktivni sadržaj jezgre
3. Za povezivanje ulaznih i izlaznih podataka različitih nuklearnih računalnih programa korišten je nuklearni računalni program:
 - a. RADTRAD koji računa alternativni način transporta radioaktivnog materijala u ventiliranim prostorijama (npr. pomoćna kontrolna soba)
4. Za određivanje doza korišteni su nuklearni računalni programi:
 - a. MicroShield koji je *point kernel* program (modelira vrlo jednostavne geometrije)
 - b. MCNP koji se koristi za složenije modele
 - c. SCALE
 - MAVRIC (dio SCALE skupa nuklearnih računalnih programa)
 - d. ARCON96 pomoću kojeg je moguće izračunati disperzijske faktore (odnosno normalizirane koncentracije χ/Q)

Za odgor, koji je potreban za računanje radioaktivnog materijala u jezgri, koristi se PARCS program, te se primarni radioaktivni sadržaj, izračunat ORIGEN programom, dalje koristi u programima za teške nesreće kako bi se dobio radioaktivni sadržaj nakon teške nuklearne nesreće. Od programa za teške nesreće se koriste MELCOR i MAAP. Nakon dobivanja radioaktivnog sadržaja u programima za teške nesreće, ovisno o širenju

radioaktivnosti u okoliš i susjedne zgrade, koristi se program GOTHIC kako bi se dobili termohidraulički uvjeti u zgradama. Za proračun gama doza koristi se *point kernel* program (MicroShield) i Monte Carlo program. Kao ulaz za pripremu podataka u MicroShield, koristi se vremenska ovisnost izotopskog sadržaja gorivnih elementa dobivenog iz ORIGEN programa. *Point kernel* program uobičajeno daje nešto veće doze, a modeliraju se vrlo pojednostavljene geometrije. Za složenije geometrije treba koristiti Monte Carlo proračun. RADTRAD program se koristi kao alternativni način transporta radioaktivnog materijala u ventiliranim prostorijama (poput kontrolne sobe).

3.2.1. Opis MAAP programa

MAAP program (puni naziv: Modular Accident Analysis Program) se koristi za modeliranje teških nuklearnih nesreća u lakovodnim reaktorima i razvijen je na EPRI institutu (Electric Power Research Institute). MAAP program se koristi za predviđanje ključnih događaja tijekom teške nuklearne nesreće (otkrivanje jezgre, propadanje jezgre u donji plenum, pucanje reaktorske posude), procjenu utjecaja sustava za ublažavanje posljedica teških nuklearnih nesreća, procjenu utjecaja radnji operatera te predviđanje količine i vremena ispuštanja fisijskih produkata. To je integralni program koji omogućava obradu pojava koje bi se mogle dogoditi tijekom teške nuklearne nesreće i istovremeno omogućava modeliranje termohidraulike i fisijskih produkata. U pripadajućoj dokumentaciji je objašnjenja teorijska podloga [43], korisničke upute [44] i specifične primjene MAAP programa [45].

MAAP zahtijeva dvije ulazne datoteke: prva je parametarska datoteka, koja sadrži podatke specifične za pojedinu nuklearnu elektranu, a druga je ulazna datoteka, koja opisuje pojedinu nuklearnu nesreću. Elektrana je modelirana u parametarskoj datoteci koja se može općenito podijeliti na šest glavnih kategorija:

1. Kontrolni parametri
2. Parametri reaktorske jezgre
3. Parametri primarnog sustava/sigurnosnog sustava
4. Parametri kontejnmenta/pomoćnih zgrada
5. Parametri specifičnih značajki elektrane
6. Parametri događaja.

Program generira oko 25 izlaznih datoteka.

3.2.2. Opis MELCOR programa

MELCOR program (puni naziv: Methods for Estimation of Leakages and Consequences of Releases) je razvijen u SNL laboratoriju (Sandia National Laboratory) i njegova je osnovna namjena modeliranje progresije nesreće u nuklearnim postrojenjima. Zbog toga omogućava modeliranje širokog spektra fenomena:

- Termo-hidraulički odzivi u sustavu primarnog hladioca, reaktorske šupljine i zaštitne zgrade
- Zagrijavanje, degradacija i relokacija jezgre
- Interakcija jezgre i betona
- Proizvodnja, transport i izgaranje vodika
- Ispuštanje i transport fisijskih produkata te učinci radioaktivnih aerosola u zaštitnoj zgradi
- Učinci inženjerski sigurnosnih značajki na termo-hidrauličke odzive i ponašanje radionuklida.

MELCOR zapravo čine dva programa:

- MELGEN program se pokreće prvi i njegov je zadatak postavljanje proračuna, obrađivanje i provjera ulaznih podataka. MELGEN program ne izvršava napredak simulacije kroz vrijeme, nego služi samo za inicijalizaciju problema.
- MELCOR program provodi simulaciju zadanog problema u vremenskim koracima definiranim u ulaznoj datoteci.

MELCOR nema grafičko sučelje pa se komunikacija s korisnikom odvija preko datoteka. Ulazna je datoteka također podijeljena na dva dijela. Prvi dio datoteke čita samo MELGEN program, a drugi dio datoteke samo MELCOR program. U dijelu ulazne datoteke namijenjenom MELGEN programu nalazi se opis sustava za koji će se provesti simulacija. Detaljno se definira nodalizacija, početni i granični uvjeti. MELGEN program provjerava jesu li dani podatci potpuni i konzistentni, ako je potrebno, javlja greške i generira poruke upozorenja. Ako ulazna datoteka ne sadrži greške, MELGEN program inicijalizira sve vremenski ovisne podatke, stvara svoju izlaznu i dijagnostičku datoteku te *restart* datoteku u kojoj se nalazi kompletna baza podataka potrebna za proračun.

MELCOR program zatim učitava sve vremenski neovisne podatke i inicijalne vrijednosti vremenski ovisnih podataka iz *restart* datoteke. Ulazni podatci koji se navode u dijelu ulazne datoteke namijenjenom MELCOR programu primarno se odnose na upravljanje napretkom simulacije kroz vrijeme. Definišu se vremena početka i završetka simulacije, vremenski koraci i učestalost ispisa u izlaznu i *plot* datoteku. Postoji i ograničena mogućnost modificiranja definiranog problema što je korisno za analize osjetljivosti. Nakon izvršenja proračuna MELCOR program generira svoju izlaznu datoteku, dijagnostičku datoteku s upozorenjima i eventualnim greškama i *plot* datoteku koja sadrži sve podatke koji su dostupni za postprocesiranje nekim od alata za grafički prikaz podataka. MELCOR program također unaprijed određenom frekvencijom ispisuje podatke u *restart* datoteku koja se kasnije može iskoristiti kao početna *restart* datoteka za neku drugu simulaciju u MELCOR programu.

MELCOR program je modularnog tipa. Svaki od modula je zadužen za određeni dio fenomenologije akcidenata i zajedno omogućavaju modeliranje kompleksnih sustava u nuklearnim postrojenjima te njihovu interakciju. Organizacija MELCOR programa po modulima i korisničke upute su opisani u [46], a fenomenološki modeli implementirani po paketima u [47].

3.2.3. Opis GOTHIC programa

GOTHIC program (puni naziv: Generation of Thermal-Hydraulic Information for Containments) je razvijen na EPRI institutu. Pripadajuća dokumentacija uključuje upute za instalaciju [48], tehnički opis programa [49] i korisničke upute [50]. GOTHIC program se prvenstveno koristi za projektiranje, licenciranje, sigurnost i operativnu analizu reaktorskih zaštitnih zgrada nuklearnih elektrana te njenih odjeljaka, ali i ostalih zgrada.

GOTHIC softverski paket uključuje:

- GOTHIC_S – *solver* koji rješava jednadžbe očuvanja mase, momenta i energije za višekomponentni i višefazni protok
- GOTHIC_P – predprocesor i postprocesor koji se koriste za postavljanje GOTHIC modela potrebnog za pisanje ulazne datoteke za GOTHIC_S
- GOTHIC_G – grafički paket koji se koristi za pristup rezultatima iz grafičke datoteke kao vrste izlazne datoteke nakon obrade.

GOTHIC program koristi praktično grafičko sučelje koje olakšava unos složenih podataka i parametara potrebnih za definiranje različitih varijacija mogućih nuklearnih nesreća. Sve

vrijednosti dodatno se nalaze u tablicama kako bi korisniku olakšale rad. Izlazni podaci dolaze u obliku grafova, lako su čitljivi, a moguća je usporedba do 5 mjerenih veličina.

Rad GOTHIC programa se zasniva na rješavanju jednadžbe očuvanja mase, momenta i energije kod višefaznih i višekomponentnih fluida te pokriva sve vrste strujanja fluida. Faze su parna, tekuća i kapljice unutar kojih se mogu nalaziti nekondenzibilni plinovi.

Osnovni element svakog modela jest kontrolni volumen koji predstavlja zatvoren prostor ispunjen mješavinom fluida. Pod fluidom se podrazumijevaju: para, tekuća voda, kapljice vode i nekondenzibilni plinovi. Također je moguće pojedini volumen podijeliti na podvolumene za bolje razumijevanje raspodjele fluida unutar većeg volumena. Postoje dvije osnovne vrste kontrolnih volumena: *lumped* i *subdivided*. *Subdivided* volumeni nastaju podjelom *lumped* volumena na više ćelija u x, y ili z smjeru. Hidrauličke veze između kontrolnih volumena te između kontrolnih volumena i rubnih uvjeta definiraju se strujnicama. Volumene je moguće povezati jednom ili više strujnica, ovisno o tome što one predstavljaju (npr. cijevi, prolazi, vrata i sl). Momentne jednadžbe za mješavinu pare, zraka, kapljica i tekućine rješavaju se za svaku strujnicu posebno. Strujnice ne posjeduju volumen niti mogu sadržavati masu. Toplinske strukture korištene su kod modeliranja toplinskog kapaciteta građevnih dijelova, prijenosa topline između tekućina i građevnih dijelova, radijacijskog prijenosa topline i toplinskih izvora dodijeljenih građevinskim dijelovima. Sve strukture definirane su s dvije dimenzije i jednodimenzionalnim prijenosom topline okomitim na te površine.

3.2.4. Opis PARCS programa

PARCS program (puni naziv: Purdue Advanced Reactor Core Simulator) je razvijen na Purdue sveučilištu. Riječ je o trodimenzionalnom simulatoru jezgre nuklearnog reaktora koji rješava problem integralno-diferencijalnih difuzijskih jednadžbi neutrona. Rješenje difuzijskih jednadžbi može predvidjeti dinamički odziv reaktora na vanjska djelovanja poput pomicanja kontrolnih šipki ili promjena protoka rashladnog sredstva. Koristi se za trodimenzionalni proračun odgora i raspodjele snage. Glavne mogućnosti za izračun u PARCS-u su računanje tranzijenata, ostatne topline, snage po šipkama i ksenonskih tranzijenata. Primarna prednost PARCS-a je u korištenju modela 3D proračuna, potrebnog za stvarni prikaz fizikalnog reaktora, ali se koristi i za razne 1D modele za grupe tranzijenata čiji se tok mijenjao dominantno u aksijalnom smjeru. U pripadajućoj dokumentaciji je objašnjena teorijska podloga programa [51] i korisničke upute [52].

Prilikom modeliranja i projektiranja jezgre nuklearnog reaktora potrebno je odrediti raspodjelu neutrona u jezgri. Nuklearna svojstva goriva nisu jednoliko raspoređena unutar heterogenog reaktora. Zbog toga niti snaga nije jednoliko raspoređena unutar reaktora. Heterogenu raspodjelu snage je potrebno prikazati aproksimativnim homogenim raspodjelama po gorivnim elementima. Zatim se vrši raspodjela globalnog neutronskega toka pomoću malog broja parametara u svakom području ili čvoru u koje je jezgra reaktora podijeljena.

U ulaznim datotekama definiraju se podaci neutronske kinetike i sastava jezgre reaktora. Potrebno je zadati udarni presjek koji je mjera za vjerojatnost nuklearne reakcije te broj i sastav materijalnih kompozicija elemenata koje čine jezgru reaktora ciklusa koji je predmet proračuna. Materijalnu kompoziciju čine vrsta, broj i razmještaj gorivnih šipki, obogaćenje goriva te broj i vrsta izgorivih apsorbera. Ulazne datoteke PARCS-a korištene za proračun su:

1. PARCS.inp je glavna ulazna datoteka koja se može koristiti za samostalni proračun, ali i za vezani proračun. Datoteku čini sedam blokova podataka.
2. COUPLING.inp je ulazna datoteka koja služi za povezivanje geometrije jezgre opisane glavnom ulaznom datotekom sa materijalnim kompozicijama po visini. Svi potrebni podaci, uključujući odgor iz prijašnjih ciklusa i aksijalne promjene, nalaze se u .fas datotekama koje sadrže podatke vezane uz određene gorivne elemente.
3. GET_FAXS.inp je ulazna datoteka koja sadrži podatke potrebne za aktiviranje i definiranje koraka izgaranja u GWd/tU (mjerna jedinica za odgor) na nivou ciklusa izgaranja. Ova datoteka je odgovorna i za iniciranje proračuna u režimu ciklusnog odgora.

Najvažnije izlazne datoteke su:

1. Izlazna datoteka s ekstenzijom .sum je datoteka koja nam u svojem zaglavlju daje podatke o reaktivnosti, iznosu udjela zakašnjelih neutrona, koncentracije borne kiseline, normaliziranom iznosu snage, vršnim faktorima snage te maksimalnoj i srednjoj temperaturi goriva i moderatora. Svaki gorivni element ima podatke o tri varijable: relativnoj snazi gorivnog elementa, snazi po gorivnoj šipki (odstupanju od omjera srednje snage po elementu i broja gorivnih šipki) i volumnoj gustoći snage po gorivnom elementu.
2. Izlazna datoteka s ekstenzijom .rho sadrži komponente reaktivnosti. Datoteka sadrži podatke o ukupnoj reaktivnosti (sumrho), komponenti reaktivnosti zbog promjene

temperature goriva ($t_{f,rho}$), zbog promjene gustoće moderatora ($d_{m,rho}$), zbog promjene koncentracije borne kiseline ($p_{p,m,rho}$) i zbog utjecaja kontrolnih šipki ($c_{r,rho}$).

3. Izlazna datoteka s ekstenzijom .pin raspoređena je u blokove po vremenskim trenucima. U datoteci se nalaze zapisi koji pokazuju relativno odstupanje snage pojedine gorivne šipke od prosječne snage srednje gorivne šipke za taj gorivni element. Stvarna snaga se dobije množenjem snage prikazane pin datotekom sa srednjom linearnom gustoćom snage za taj gorivni element. Srednju gustoću snage dobivamo dijeljenjem trenutne snage za gorivni element s ukupnom dužinom šipki.
4. Izlazna datoteka s ekstenzijom .out je datoteka sa 3D ovisnostima. Datoteka je najprije podijeljena u vremenske trenutke: za jedan vremenski trenutak slijedi trodimenzionalna raspodjela po blokovima, a unutar svake trodimenzionalne raspodjele, odnosno unutar svakog bloka, nalaze se aksijalni slojevi.

3.2.5. Opis SCALE programa

SCALE (engl. Standardized Computer Analyses for Licensing Evaluation) je skup programa za različite proračune u nuklearnom području poput proračuna kritičnosti reaktora, reaktorske fizike, zaštite od zračenja, karakterizacije radioaktivnog izvora te analize osjetljivosti i nesigurnosti. Program je razvijen u ORNL laboratoriju (Oak Ridge National Laboratory). SCALE program je opisan u pripadajućoj dokumentaciji [53].

3.2.5.1 Opis ORIGEN programa

ORIGEN program (puni naziv: Oak Ridge Isotope GENERation) služi za računanje promjene izotopskog sastava goriva tijekom odgora te računanje sastava, aktivnosti i ostatne topline u jezgri nuklearnog reaktora. Glavna funkcija ORIGEN programa je računanje sastava radionuklida i karakteristika nuklearnih materijala kao što su masa, sastav izotopa, radioaktivnost i termička snaga. ORIGEN program dijeli nuklide u tri grupe:

1. Aktivacijski produkti – obuhvaća gotovo sve prirodne nuklide, produkte nastale njihovom apsorpcijom neutrona i daljnje produkte raspada, odnosno kćeri nastale iz takvih produkata
2. Aktinidi – sadržava izotope elementa torija (atomski broj 90) do einsteinija (atomski broj 99) koji se pojavljuju u značajnoj količini u istrošenom gorivu, te njihove daljnje produkte raspada, odnosno kćeri

3. Fisijfski produkti – sadrži nuklide nastale fisijom aktinida i elemente nastale uhvatom ili radioaktivnim raspadom takvih produkata

ORIGEN program je opisan u pripadajućoj dokumentaciji [54].

3.2.5.2 Opisa MAVRIC sekvence za proračun štitova

MAVRIC (puni naziv: Monaco with Automated Variance Reduction using Importance Calculations) je SCALE sekvenca za proračune štitova koja ima automatsku redukciju varijance. Cilj ove sekvence je dobiti tokove i brzine doza sa prihvatljivom varijancom u razumnom vremenu, čak i za probleme dubokog prodiranja. MAVRIC se temelji na CADIS (engl. Consistent Adjoint Driven Importance Sampling) metodologiji koja pomoću adjungiranog toka određuje težinske mape i modificirani izvor za redukciju varijance. CADIS metodologija se koristi za probleme sa izvorom i jednim brojačem, dok se za probleme sa više brojača na različitim pozicijama koristi FW-CADIS (engl. Forward Consistent Adjoint Driven Importance Sampling) kod koje se snaga adjungiranog izvora skalira s inverznom vrijednosti SN, čime se postiže ravnomjernija raspodjela čestica u promatranom prostoru. U MAVRIC-u se željena fizikalna veličina može mjeriti u jednoj točki pomoću točkastog brojača (engl. point detector), u određenoj regiji (engl. region tally) ili preko mreže (engl. mesh tally), a željenu fizikalnu veličinu korisnik može sam odrediti korištenjem konverzijskih faktora koji tok pretvaraju u različite oblike doza: brzina doze, ambijentalni dozni ekvivalent, efektivna doza itd. Ulazni podaci se upisuju u tekstualnu .inp datoteku slobodnog formata prema formi i ključnim riječima zadanim priručnikom. Izlazna datoteka je također u tekstualnom formatu.

MAVRIC sekvenca je opisana u pripadajućoj SCALE dokumentaciji [53].

3.2.6. Opis RADTRAD programa

RADTRAD program (engl. RADionuclide Transport, Removal And Dose Estimation) je razvijen u SNL laboratoriju i koristi se za procjenu oslobađanja radionuklida iz kontejnmenta. Od primarnog je interesa procijeniti količinu i sastav ispuštene radioaktivnosti jer o tome znatno ovise radiološke posljedice. Kod izračunava doze na lokacijama izvan mjesta nuklearne nesreće, kao što su granica ekskluzivnog područja i zona niske populacije koriste se eksterno izračunati disperzijski faktori. RADTRAD program se koristi za procjenu oslobađanja radioaktivnosti iz kontejnmenta korištenjem *source term* definiranog u TID-14844 [35], NUREG-1465 [36] ili korištenjem tablice koju definira korisnik. Osim toga, program također može modelirati smanjenje radioaktivnog materijala zbog rada sustava sprejeva u kontejnmentu

te ostalih prirodnih i inženjerskih sigurnosnih značajki. RADTRAD program određuje vremenski ovisne doze na lokacijama koje je definirao korisnik za određeni scenarij nuklearne nesreće. RADTRAD program se može koristiti za procjenu profesionalne izloženosti zračenju, uobičajeno u kontrolnoj sobi, granične doze različitih lokacija u nuklearnoj elektrani te procijeniti smanjenje doze na nekoj lokaciji uslijed modifikacija ili razvoja nesreće.

RADTRAD program je opisan u pripadajućoj dokumentaciji [55].

3.2.7. Opis MicroShield programa

MicroShield program je razvio Grove Software. To je sveobuhvatan program za zaštitu od fotona/gama zraka i procjenu doza koji se koristi za dizajniranje štitova, procjenu snage izvora iz mjerenja zračenja, smanjenje izloženosti ljudi zračenju i podučavanju principa zaštite od zračenja. MicroShield program je potpuno interaktivan i koristi alat za provjeru grešaka pri unosu. Integrirani alati pružaju grafički prikaz rezultata, vremensku stopu izloženosti zračenju, pristup podacima o materijalu i nuklidima te izračun ostatne topline.

Korisnički priručnik je opisan u odgovarajućoj literaturi [56].

3.2.8. Opis MCNP programa

MCNP program (puni naziv: Monte Carlo N-Particle) se koristi za proračune kritičnosti reaktora, zaštite od zračenja i dozimetrije, radiografije, medicinske fizike itd. Program je razvijen u LANL laboratoriju (Los Alamos National Laboratory). MCNP program se koristi za proračun transporta neutrona, gama zraka, elektrona, te za proračun kombiniranog transporta neutrona i sekundarnih gama zraka. Program koristi kontinuirane biblioteke nuklearnih podataka, a sadrži i višegrupne biblioteke nuklearnih podataka. Program ima brojne opcije za definiranje točkastih, linijskih, površinskih i volumnih izvora. Glavne karakteristike MCNP programa su: skup različitih tehnika redukcija varijance, različiti brojači, opsežna kolekcija biblioteka nuklearnih podataka, prikaz geometrije i izlaznih rezultata. Uključene tehnike redukcije varijance su: podjela geometrije (engl. Geometry Splitting), težinski prozori (engl. Weight Windows), eksponencijalna transformacija (engl. Exponential Transform), energetska podjela (engl. Energy Splitting), ruski rulet (engl. Russian Roulette), prisilni sudari (engl. Forced Collisions) i modificiranje izvora (engl. Biased Source).

Ulazna i izlazna datoteka su tekstualne. Detaljnije informacije mogu se pronaći u korisničkom priručniku za MCPN [57] ili u pojednostavljenom korisničkom priručniku [58].

3.2.9. Opis ARCON96 programa

ARCON96 program (puni naziv Atmospheric Relative CONcentration in Building Wakes) je razvijen u ORNL laboratoriju. Program računa normalizirane koncentracije radioaktivnosti na ulazima zraka u kontrolnu sobu u blizini hipotetskih lokacija ispuštanja radioaktivnosti [59]. Praktični savjeti za korištenje su opisani u [60]. ARCON96 program implementira pravolinijski Gauss model disperzije s disperzijskim koeficijentima koji su modificirani kako bi uzeli u obzir niske brzine vjetra.

Unos podataka za ARCON96 program se sastoji od nekoliko dijelova:

1. *Default* parametri (npr. duljina hrapavosti površine, granična brzina vjetra itd.)
2. Meteorološki parametri (npr. visina iznad tla na kojoj su mjereni meteorološki podaci itd.)
3. Informacije o izvoru radioaktivnosti (npr. visina od tla na kojoj se nalazi izvor radioaktivnosti, brzina i volumni protok izlaznog plina itd.)
4. Informacije o receptoru radioaktivnosti (npr. visina od tla na kojoj se nalazi receptor radioaktivnosti, udaljenost izvora i receptora reaktivnosti itd).

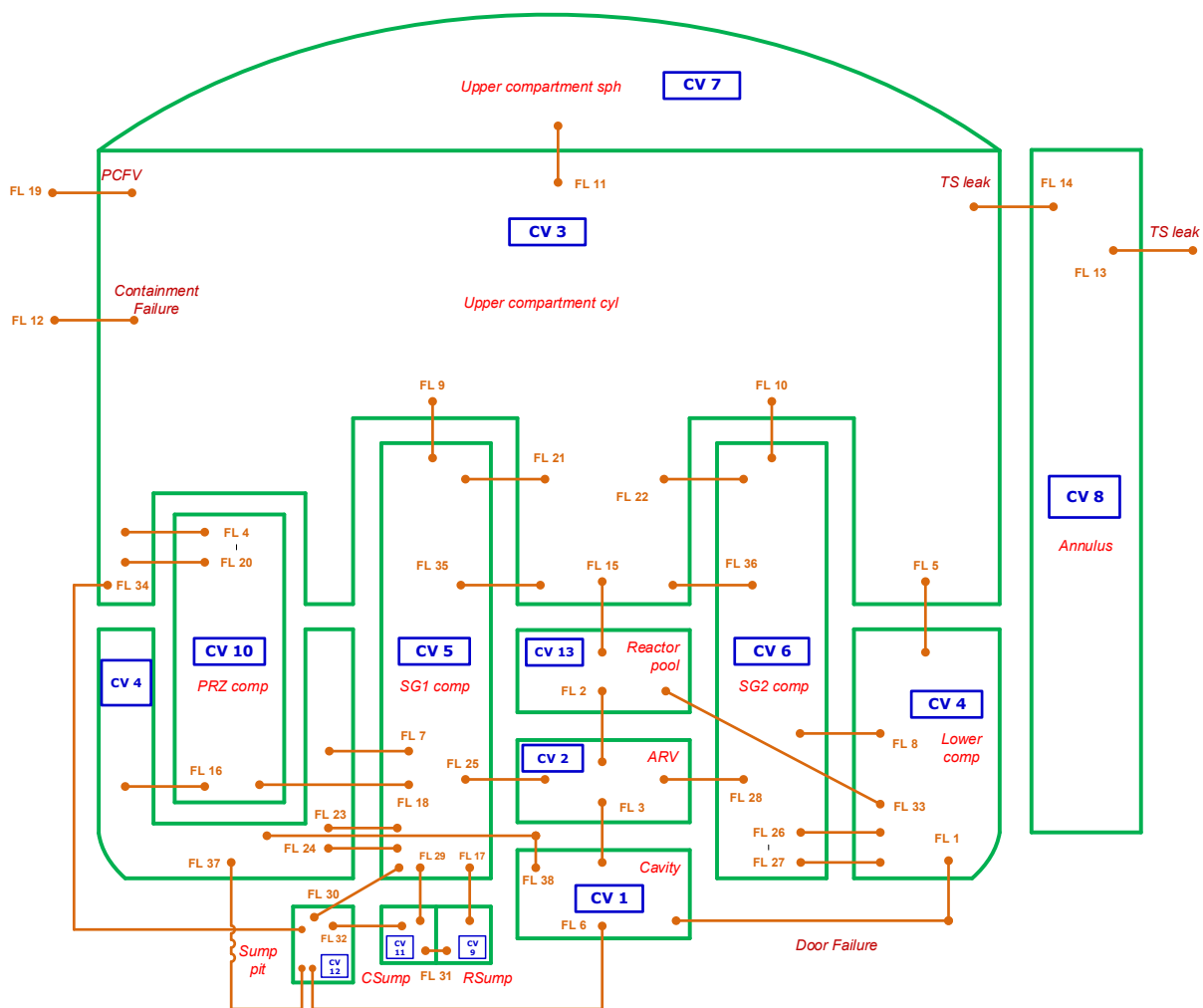
4. PRIMJENA METODOLOGIJE PRORAČUNA OKOLIŠNIH UVJETA NA RAZLIČITE ZGRADE U NUKLEARNOJ ELEKTRANI

U ovom poglavlju su opisani korišteni modeli za pojedine zgrade unutar nuklearne elektrane te su prikazani i analizirani rezultati. Metodologija proračuna okolišnih uvjeta je primijenjena na zgrade u nuklearnoj elektrani Krško.

4.1. Primjena metodologije proračuna okolišnih uvjeta na reaktorsku zgradu

4.1.1. Opis modela i proračuna za reaktorsku zgradu

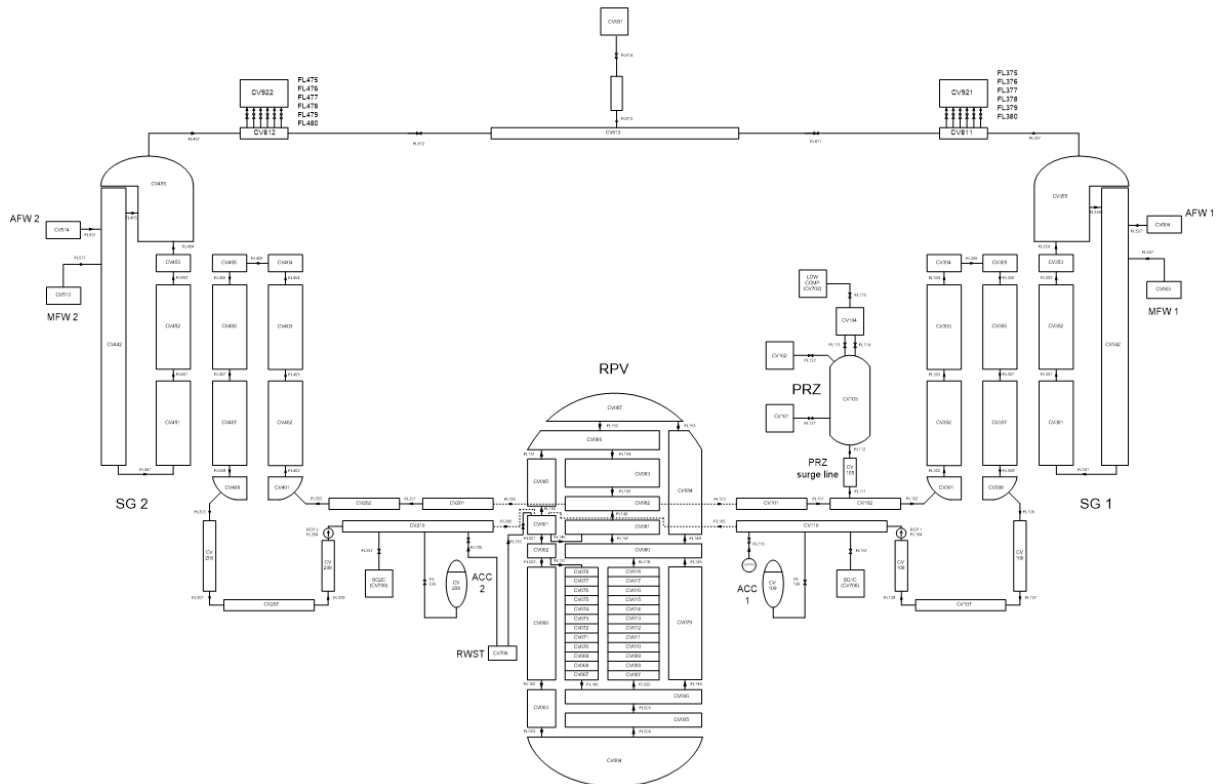
Termohidrauličke uvjete u reaktorskoj zgradi je moguće odrediti MELCOR i MAAP programom. Slika 4-1 prikazuje MAAP model reaktorske zgrade u nuklearnoj elektrani Krško.



Slika 4-1 NEK MAAP model reaktorske zgrade

Kontejnment se sastoji od 12 odjeljaka. SG odjeljci (engl. steam generator) se odnose na prostor oko parogeneratora i primarne rashladne pumpe. Područje nuklearne jezgre je podijeljeno na tri odjeljka: ARV odjeljak (around reactor vessel) se odnosi na zrak oko reaktorske posude, *Cavity* odjeljak je šupljina ispod reaktorske posude gdje se zadržava rastaljena jezgra, a *Reactor pool* odjeljak je prostor iznad reaktorske posude. PRZ odjeljak (engl. pressurizer) je prostor oko tlačnika. *Lower* odjeljak je prostor između parogeneratora i čelika ispod elevacije 115,55 m koji nije uključen u ostalim odjeljcima. Gornji dio kontejnmenta je podijeljen na dva odjeljka: gornji sferični dio i gornji cilindrični dio kontejnmenta. Na dnu kontejnmenta se nalazi *sump pit* i dva odjeljka za bazen kontejnmenta. Anulus je modeliran jednim odjeljkom i uključuje prostor između kontejnmenta i reaktorske zgrade. Dodatno su modelirani PAR i PCFV sustavi koji nisu prikazani na Slika 4-1. U NEK-u su instalirana 22 PAR sustava na različitim visinama u kontejnmentu. PCFV sustav je modeliran kao obična cijev između kontejnmenta i okoline. PCFV sustav sadrži *rupture disc* koji puca na tlaku od 6 bara u kontejnmentu i tada počinje prvo kontrolirano i filtrirano ispuštanje u okolinu. Ispuštanje u okolinu se prekida kada tlak u kontejnmentu padne na 4,1 bar i ponovo započinje kada tlak u kontejnmentu dosegne 4,9 bara.

MELCOR model je korišten za verifikaciju rezultata. Slika 4-2 prikazuje MELCOR model primarnog i sekundarnog rashladnog kruga za nuklearnu elektranu Krško. Primarni i sekundarni sustavi su modelirani s 116 termohidrauličkih kontrolnih volumena, 165 strujnica, 100 toplinskih struktura i 293 kontrolnih funkcija. Tople i hladne grane su modelirane s dva, a međugrane s tri kontrolna volumena. Primarne pumpe su spojene s hladnim granama s MELCOR QUICK-CF modelom. Tlačnik je modeliran s jednim kontrolnim volumenom, a volumen CV104 predstavlja rasteretni rezervoar tlačnika (engl. Pressurizer Relief Tank - PRT) gdje se ispušta para koja se odvodi sa rasteretnih i sigurnosnih ventila. Kontrolni volumeni CV161 i CV162 se koriste za kontrolu razine vode i tlaka u PRT, a volumeni CV109 i CV209 predstavljaju akumulatore. Ulazni i izlazni dio parogeneratora su modelirani s jednim volumenom, a U-cijevi sa šest volumena.



Slika 4-2 NEK MELCOR model primarnog i sekundarnog rashladnog kruga

Referentni scenarij je gubitak električnog napajanja bez ikakvih akcija ublažavanja posljedica teške nuklearne nesreće u prva 24 sata (86400 sekundi). Za prva 24 sata od početka nesreće je pretpostavljeno da niti jedan od instaliranih sigurnosnih sustava nije u stanju obaviti svoje predviđene inženjerske sigurnosne značajke (engl. Engineered Safety Functions - ESF). Tijekom prva 24 sata od početka nesreće nije došlo do uspješnog ubrizgavanja hladioca u jezgru i niti jedna akcija oporavka ESF-a kako bi se uspostavile sigurnosne funkcije nije bila uspješna. To znači da nije došlo do smanjenja tlaka u primarnom rashladnom krugu (engl. Reactor Coolant System - RCS), odvođenja ostatne topline iz jezgre i kontejnmenta i smanjenja tlaka u kontejnmentu. U prva 24 sata od početka nesreće su bili dostupni samo pasivni PAR i PCFV sustavi. Ručne akcije na terenu u prva 24 sata nakon početka nesreće su također bile neuspješne (ručno smanjenje tlaka u primarnom rashladnom krugu itd.).

Uvjeti u nuklearnoj elektrani 24 sata nakon početka nesreće su bili: integritet reaktorske posude (engl. Reactor Pressure Vessel - RPV) je narušen, rastaljena jezgra se proširila u *cavity*, *cavity* se isušio (u njemu se nalazila manja količina vode koja je iscurila iz primarnog rashladnog kruga i akumulatora). Tlak u kontejnmentu je porastao iznad dizajnom granične vrijednosti ($3,15 \text{ kp/cm}^2$) prije nego što se otvorio PCFV sustav. Koncentracija vodika

u kontejnmentu se zadržala na 3% uslijed rada PAR sustava, a koncentracija CO₂ je narasla iznad 6% zbog reakcije rastaljene jezgre s betonom (engl. Molten Corium Concrete Interaction - MCCI). Kada je proradio PCFV sustav, tlak u kontejnmentu je brzo pao. Međutim čim je PCFV sustav prestao raditi, tlak je brzo počeo rasti jer još uvijek nije uspostavljeno odvođenje topline iz kontejnmenta i jer na pregrijanim strukturama kontejnmenta isparava voda.

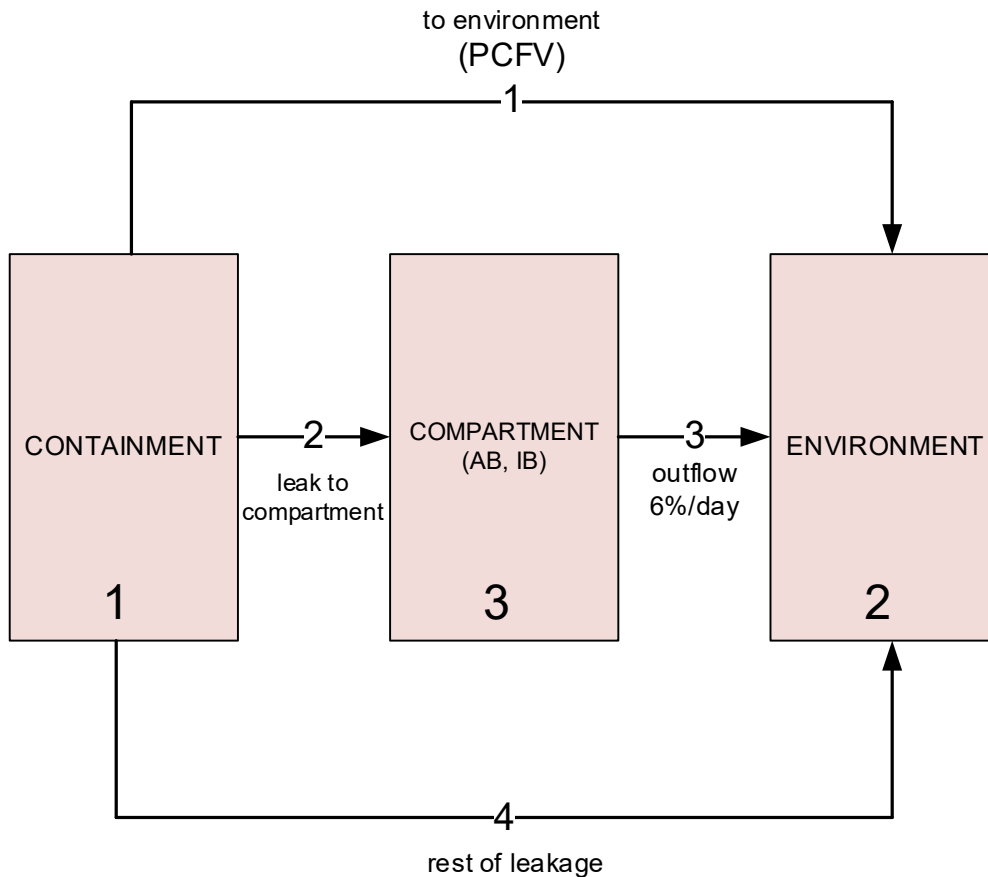
Akcije ublažavanja posljedica teške nuklearne nesreće su započele 86400 sekundi nakon gubitka električnog napajanja djelovanjem sustava sprejeva u kontejnmentu korištenjem ARHR pumpe i usisom iz rezervoara za skladištenje *refueling* vode (engl. Refueling Water Storage Tank - RWST). Sustav sprejeva u kontejnmentu ima zadaću sniziti tlak u kontejnmentu. Recirkulacija je započela kada je nivo vode u RWST pao na 1,94 m korištenjem ARHR i mobilnih toplinskih izmjenjivača.

Promatran je utjecaj starog i novog modela kontejnmenta kako bi se obuhvatila cijela envelope mogućih scenarija. Novi model ima gotovo isti broj kontrolnih volumena kao stari, ali se parametri kontrolnih volumena temelje na jasnoj fizičkoj podjeli, realnim putanjama protoka i toplinskim strukturama. Zbog dovoljno vode u *cavity*, početni porast tlaka je brži, PCFV sustav ranije proradi, a početne temperature kontejnmenta su niže. U kasnijoj fazi, zbog više pare i manje nekondenzibilnih plinova, sustav sprejeva je efikasniji i snižavanje tlaka je brže. Kada je postignut tlak od 1,02 bara, kontejnment sprejevi se ugase. Konačne temperature su više u slučaju novog kontejnmenta.

Također je promatran utjecaj statusa vrata u *cavity*. U dva slučaja se pretpostavilo da će se vrata otvoriti nakon što rastaljena jezgra probije donji dio reaktorske posude. Treći slučaj je pretpostavio da su vrata ostala zatvorena, ali postoji otvor od 10,16 cm (4 inch) na dnu vrata. U četvrtom slučaju su vrata ostala zatvorena i *cavity* je suh dok nivo vode ne dosegne otvore sustava za grijanje, ventilaciju i hlađenje (engl. Heating, Venting and Air Conditioning - HVAC). Zaključak promatranja je da manje vode u *cavity* znači niže tlakove i temperature u kontejnmentu i intenzivniji MCCI.

Na temelju SBO scenarija s ublažavanjem posljedica 24 sata nakon početka teške nuklearne nesreće izračunatog MAAP programom, određene su beta i gama doze u kontejnmentu korištenjem RADTRAD programa uz AST pretpostavke iz NUREG-1465 [36]. Gama *immersion* doze se mogu izračunati u središtu ekvivalentne sfere ili hemisfere. Za kontejnment je korištena konzervativna pretpostavka ekvivalentne sfere. Slika 4-3 prikazuje RADTRAD model za direktno curenje (engl. leak) iz kontejnmenta, odnosno za penetracije između kontejnmenta i susjednih zgrada. Odjeljak 1 je kontejnment s volumenom od 40 013

m³, odjeljak 2 je okoliš, a odjeljak 3 je prikazan na Slika 4-3, ali nije korišten za ovaj proračun. Ukupno curenje iz kontejnmenta u okoliš (kroz PCFV sustav) je prikazano putanjom 1 čija je brzina protoka bazirana na MAAP proračunu SBO scenarija s ublažavanjem posljedica 24 sata nakon početka teške nuklearne nesreće.

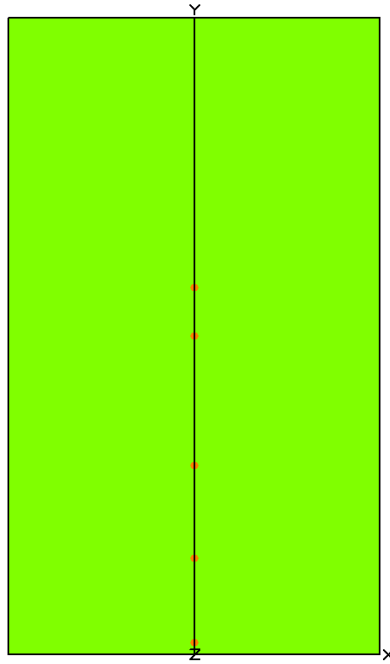


Slika 4-3 RADTRAD model za direktno curenje iz kontejnmenta

Na temelju koncentracije nuklida mogu se izračunati gama *immersion* doze pomoću RADTRAD-a. Može se koristiti model ekvivalentne konačne sfere ili hemisfere. U ovom je slučaju korišten konzervativni model ekvivalentne sfere. Taj model zanemaruje sve unutarnje strukture i pretpostavlja homogenu raspodjelu radioaktivnog materijala u kontejnmentu, te dobivene doze odgovaraju onima u većinski praznom kontejnmentu iznad elevacije 115,55 m. Na taj način su doze konzervativno izračunate osim za opremu koja je direktno izložena rastaljenoj jezgri. RADTRAD ne može direktno računati beta *immersion* doze, već to omogućava korištenjem pomoćnog nuklearnog računalnog programa i podataka iz ORIGEN-a.

Kako bi se provjerile gama *immersion* doze dobivene RADTRAD programom, provedeni su dodatni proračuni koristeći MicroShield program. Slika 4-4 prikazuje

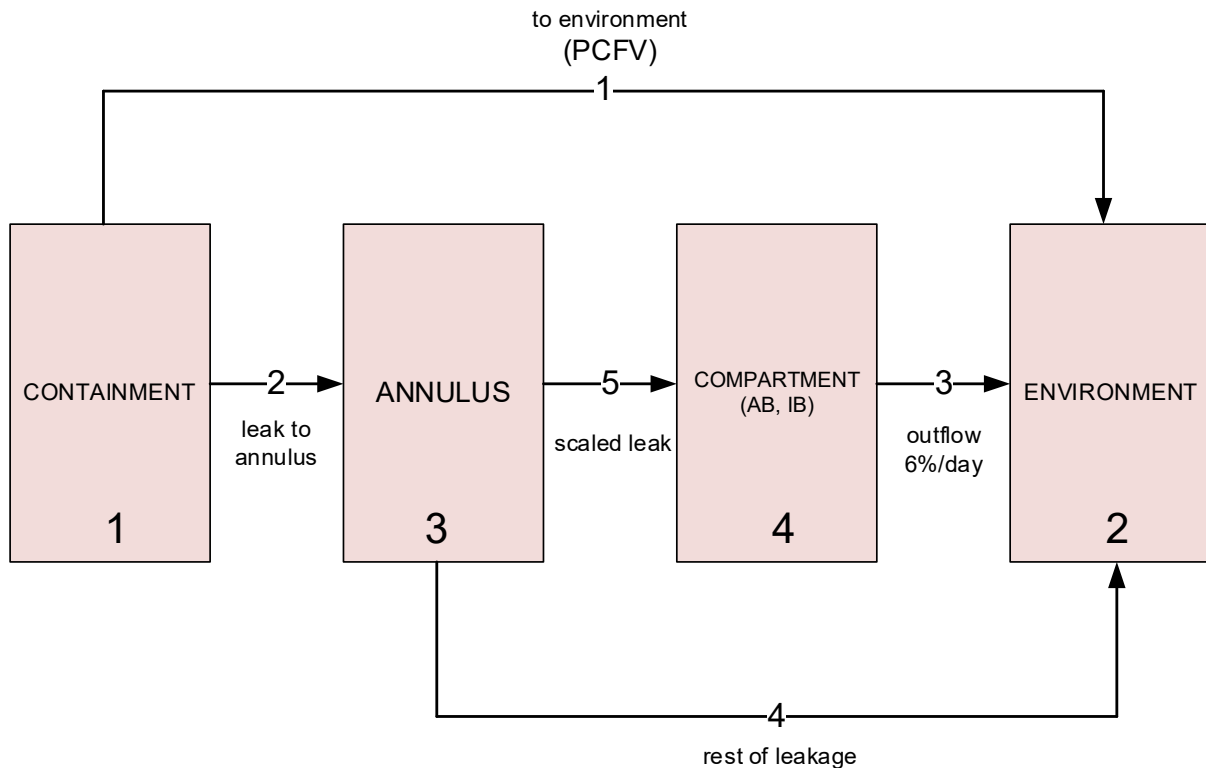
MicroShield model za računanje *immersion* doza u kontejnmentu. Kontejnment je prikazan kao cilindar polumjera 16,04, m i visine 55 m, a doze su izračunate u središtu cilindra na elevacijama 101,3, 108,6, 116,6, 127,8 i 132 m (crvene točke prikazane na Slika 4-4) što označavaju karakteristične elevacije nuklearne elektrane s dodanim jednim metrom. Prvo su dobivene gama *immersion* brzine doza, a centralnom integracijom brzina doza su dobivene kumulativne doze.



Slika 4-4 MicroShield model za računanje *immersion* doza u kontejnmentu

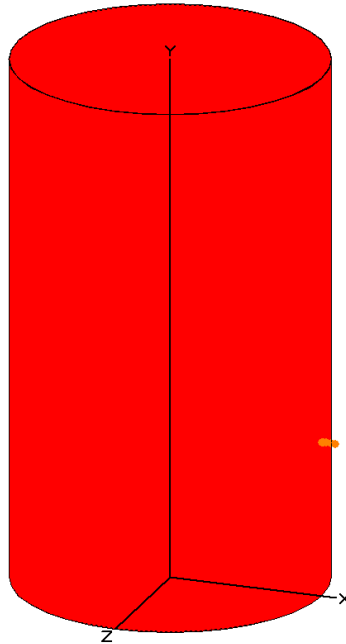
Radiološki uvjeti u anulusu su određeni gama *shine* dozama iz kontejnmenta i gama *immersion* dozama zbog curenja iz kontejnmenta. Korišten je isti scenarij kao za proračun doza u kontejnmentu, SBO scenarij s ublažavanjem posljedica 24 sata nakon početka teške nuklearne nesreće. Slika 4-5 prikazuje RADTRAD model za indirektno curenje iz kontejnmenta. Putanja 1 se koristi za modeliranje djelovanja PCFV sustava, a putanja 2 opisuje curenje iz kontejnmenta u anulus koje je izračunato MAAP programom. Nakon 90 sati nakon početka nesreće se pretpostavlja da je ukupna brzina curenja iz kontejnmenta 0,05%/dan, a od 30 dana nakon početka nesreće pa do kraja proračuna 0,02%/dan. Putanja 4 modelira curenje iz anulusa u okoliš, a putanja 5 curenje iz anulusa u susjedne zgrade (pomoćna zgrada i međuzgrada). Poveznice između anulusa te ostalih zgrada (pomoćna zgrada i međuzgrada) i okoliša nisu važne za ovaj proračun. Kako bi se pojednostavio proračun curenja iz anulusa, pretpostavljeno je da curenje u cijelosti odlazi samo u okoliš. Brzina curenja je izračunata tako da se masa fluida u anulusu održala konstantnom. Druga mogućnost je pretpostaviti da nema curenja iz anulusa (konzervativna pretpostavka). Proveden je proračun sa i bez prirodnog taloženja na strukturama

anulusa. *Immersion* doze su izračunate RADTRAD modelom u centru sfere koja ima jednak volumen kao i pravi anulus. Tako dobivene *immersion* doze su konzervativnije u odnosu na *immersion* doze u stvarnom anularnom volumenu.



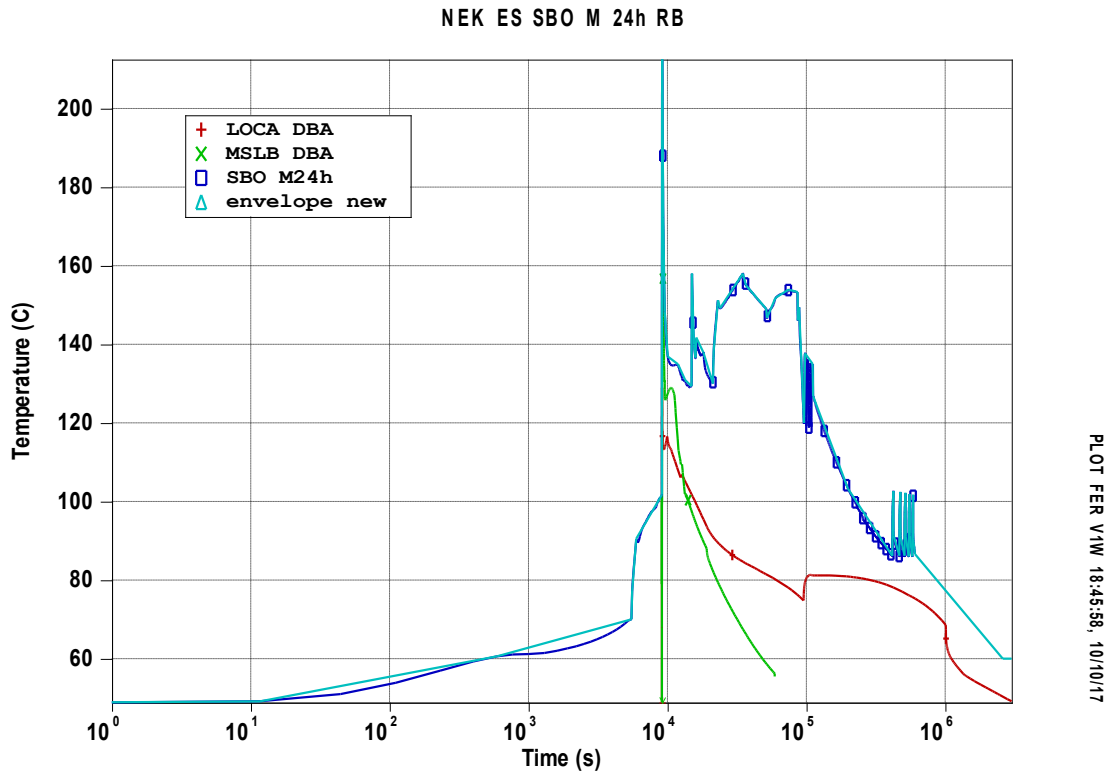
Slika 4-5 RADTRAD model za indirektno curenje iz kontejnmenta

Gama *shine* doze za anulus su izračunate MicroShield programom. Model je sličan modelu za kontejnment: modeliran je cilindar polumjera 16,04 m i visine 55 m, koristi se isti *source* dobiven RADTRAD proračunom, materijal u cilindru je zrak, a na površini cilindra se nalazi čelik. Razlika u odnosu na model kontejnmenta je ta što u slučaju anulusa promatramo lokacije izvan cilindra kao što je prikazano točkama narančaste boje na Slika 4-6. Brzine doza su izračunate za određene točke na udaljenosti 10, 20, 50, 100 i 150 cm od čelične površine kontejnmenta na elevacijama 101,3, 105, 108,6, 109, 116,6 i 132 m. Osim prije spomenutih elevacija, promatrane su elevacije 105 i 109 m na kojima se nalazi bitna oprema.

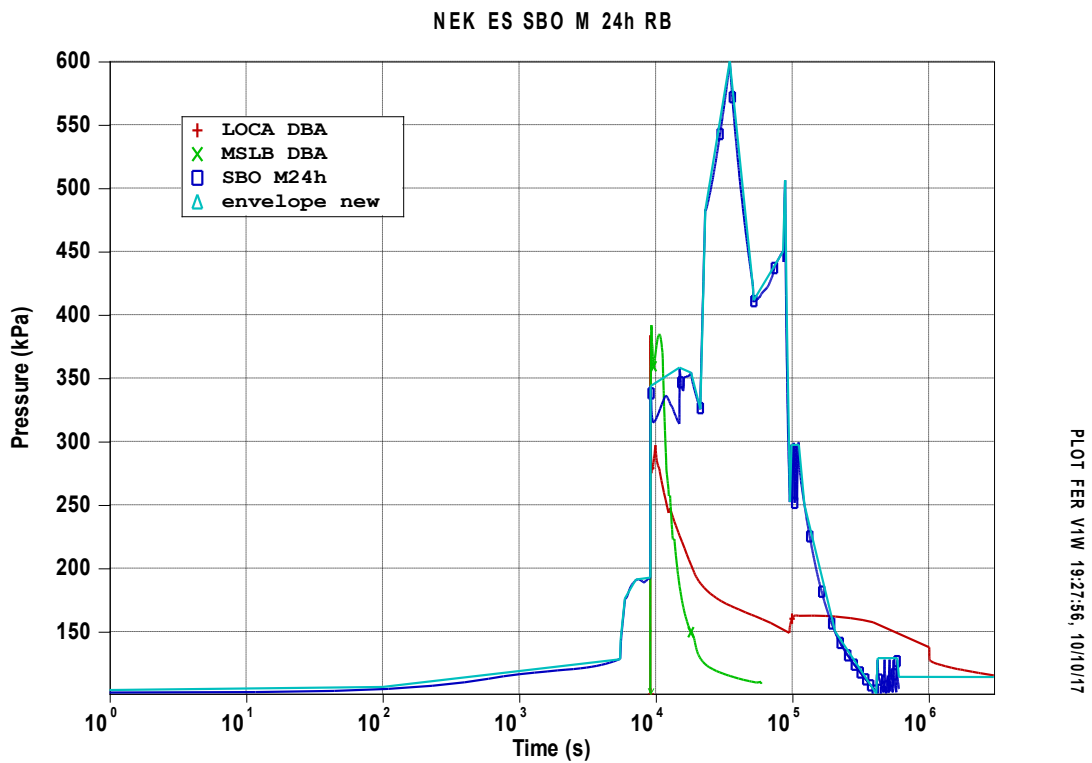
Slika 4-6 MicroShield model za računanje *shine* doza u anulusu

4.1.2. Rezultati i analiza rezultata za reaktorsku zgradu

Rezultati MAAP proračuna prikazani na slikama uključuju najnepovoljnije uvjete s obzirom na scenarije teških nuklearnih nesreća i različite korištene modele. Slika 4-7 i Slika 4-8 prikazuju envelope temperature i tlaka za reaktorsku zgradu za potrebe ES kvalifikacije u nuklearnoj elektrani Krško. Na istoj slici su prikazani i DBA i SBO slučajevi, tako da su krivulje DBA pomaknute u vremenu kako bi se dobio jedan kvalifikacijski profil. Kao što se očekivalo, SBO temperature su više od DBA temperatura. Kao što se može vidjeti na Slika 4-7 i pripadajućim tablicama ispisanim u izlaznim datotekama korištenih nuklearnih računalnih programa, temperatura iznad 160 °C je prisutna manje od pet minuta, iznad 180 °C oko 2,5 minute i iznad 200 °C manje od 60 s. Na temelju tih rezultata, može se utvrditi da oprema možda neće ni doživjeti vršnu temperaturu zraka pri brzom rastu temperature zbog svog svojstvenog toplinskog kašnjenja (koji ovisi o masi, površini i toplinskoj vodljivosti). Temperatura opreme koja je izložena kratkom rastu temperature (kraćem od dvije minute), uobičajeno neće prijeći temperaturu zasićenja. U relativno kratkim intervalima, smatra se da su unutarnji dijelovi opreme više toplinski izolirani od okoliša i odstupanja vjerojatno neće utjecati na funkcionalnost opreme zbog temperaturnog kašnjenja između unutarnje i vanjske strane opreme.



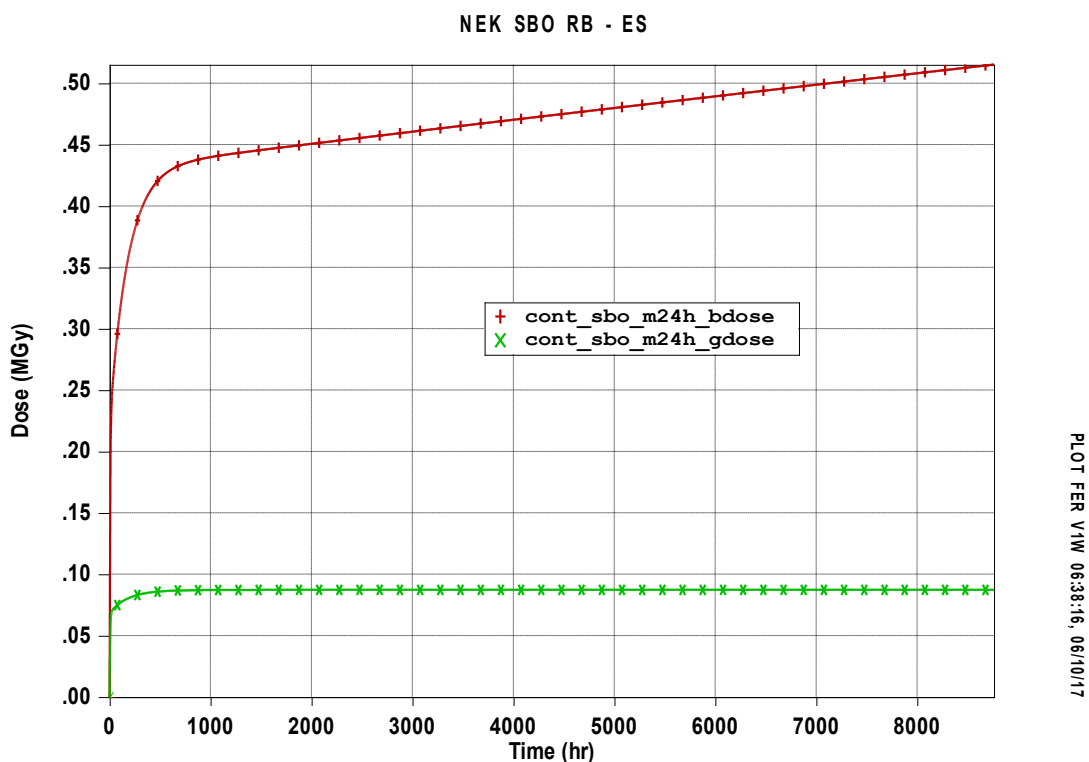
Slika 4-7 ES NEK RB envelope temperature



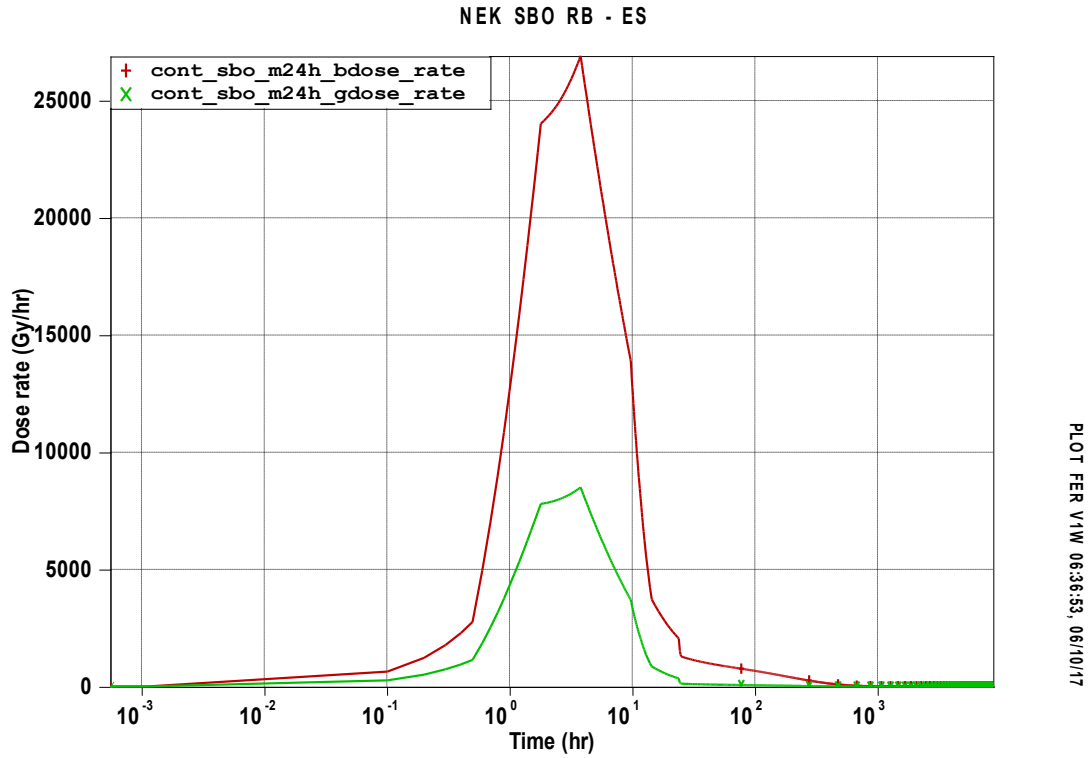
Slika 4-8 ES NEK RB envelope tlaka

Rezultati dobiveni RATTRAD programom su prikazani na Slika 4-9, koja prikazuje ukupne beta i gama *immersion* doze i Slika 4-10 koja prikazuje brzine beta i gama *immersion* doza u kontejnmentu. Gama *immersion* doze na kraju razdoblja od jedne godine su 0,087 MGy, a beta *immersion* doze 0,515 MGy. Kao što prikazuje Slika 4-10 u logaritamskoj skali, većina radijacije je ispuštena u razdoblju do 100 sati nakon početka nesreće.

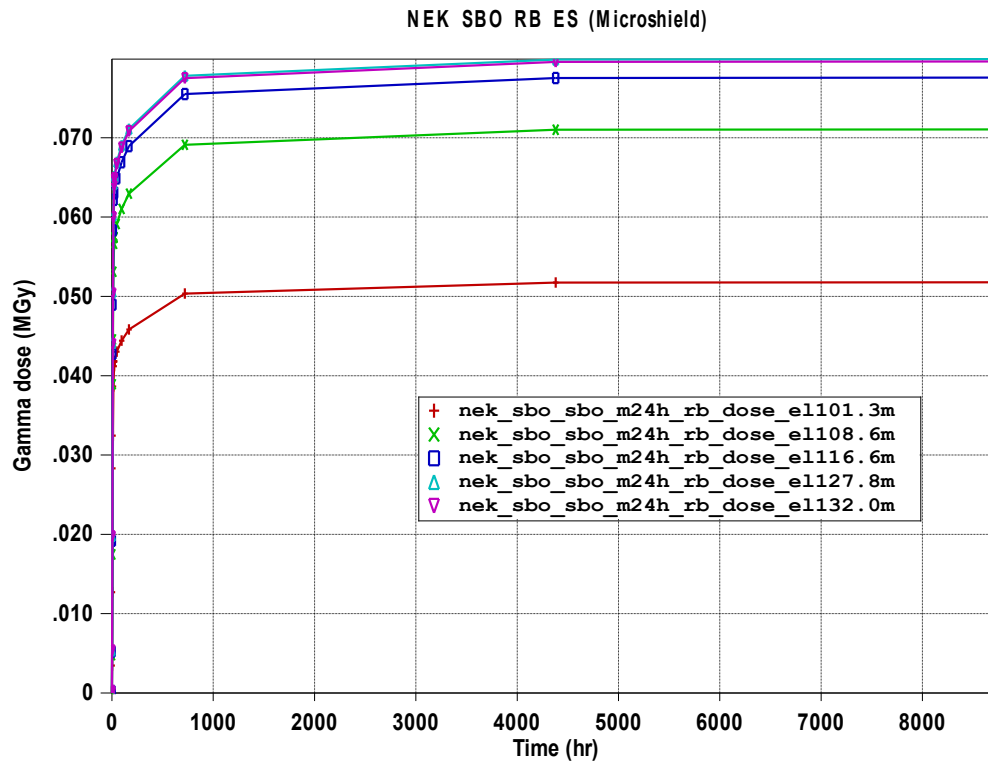
Rezultati dobiveni MicroShield programom su prikazani na Slika 4-11, koja prikazuje ukupne gama *immersion* doze, a Slika 4-12 prikazuje brzine gama *immersion* doza u kontejnmentu na različitim elevacijama. Kumulativna gama *immersion* doza nakon jednu godinu dobivena MicroShield programom je 0,0799 MGy što je usporedivo, ali nešto manje od vrijednosti dobivene RADTRAD –om i koja iznosi 0,087 MGy kao što prikazuje Slika 4-13. To je bilo i očekivano jer doze ovise od omjeru promjera i visine te je posljedično u središtu sfere (korišteno u RADTRAD proračunu) veća doza nego u središtu cilindra (korišteno u MicroShield proračunu) ako oba tijela imaju isti volumen. Doze su značajno niže na nižim elevacijama osim za slučaj središnjih elevacija 116,6 i 127,8 m. To odgovara stanju u stvarnosti jer sve elevacije niže od 115,55 m imaju niže doze zbog betonske zaštite. Kako su doze dobivene RADTRAD programom nešto veće, one se uzimaju kao konzervativne i odabiru kako bi se odredio profil kvalifikacije za ES.



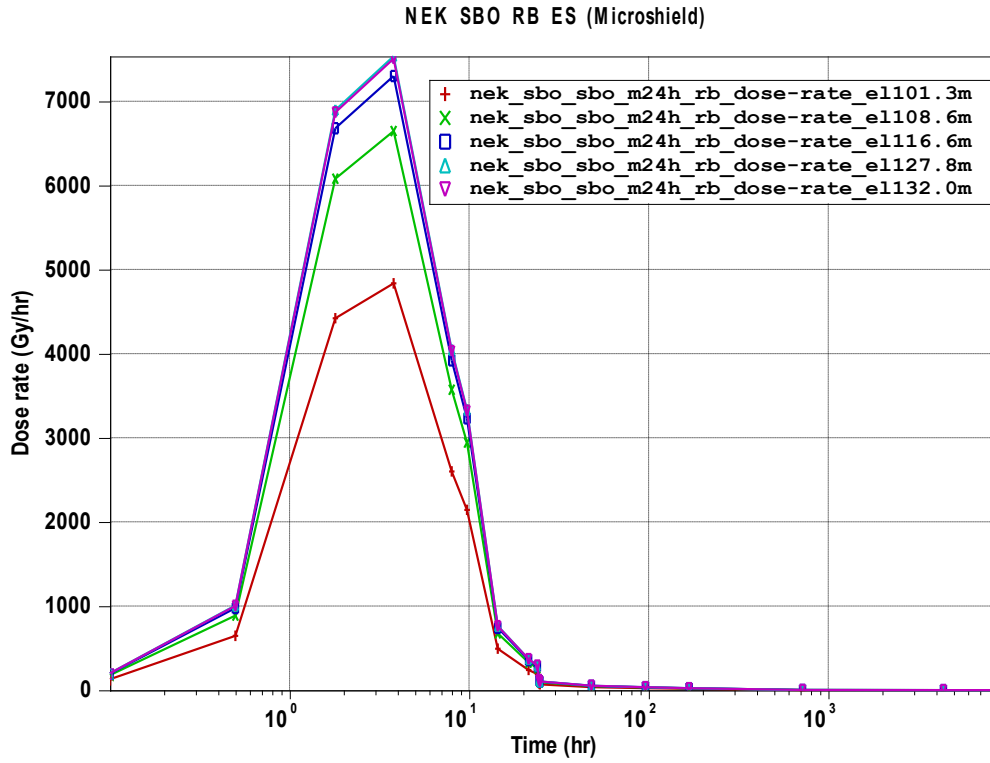
Slika 4-9 ES NEK RB beta i gama *immersion* doze - RADTRAD



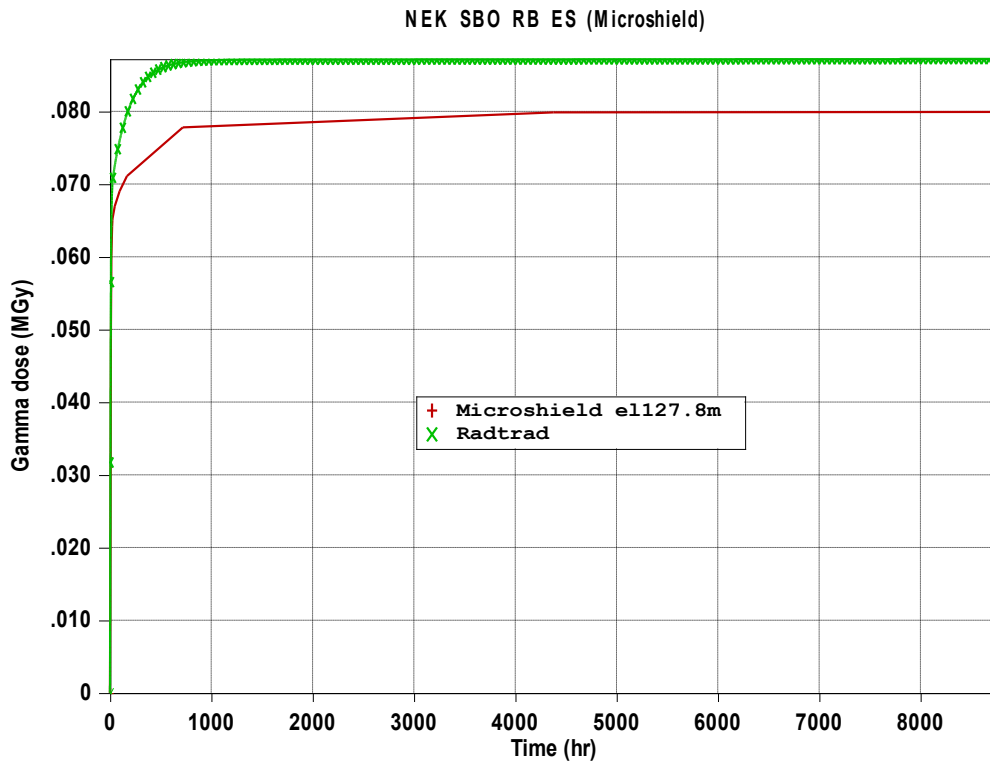
Slika 4-10 ES NEK RB beta i gama brzine *immersion* doza – RADTRAD



Slika 4-11 ES NEK RB gama *immersion* doze – MicroShield

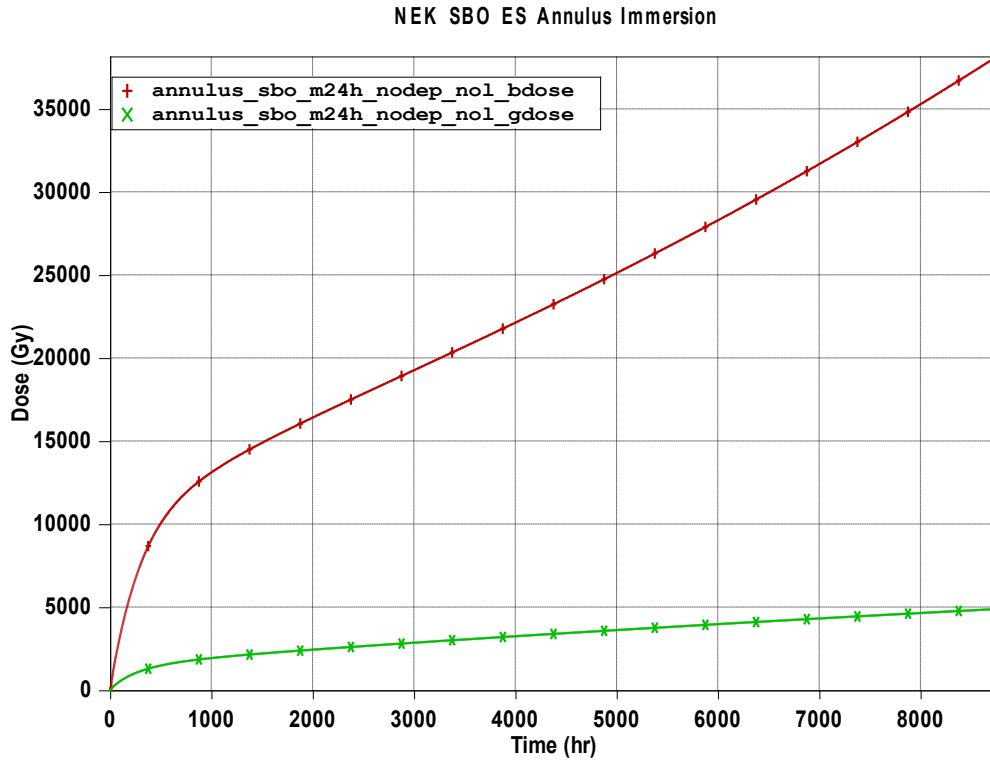


Slika 4-12 ES NEK RB gama brzine *immersion* doze – MicroShield

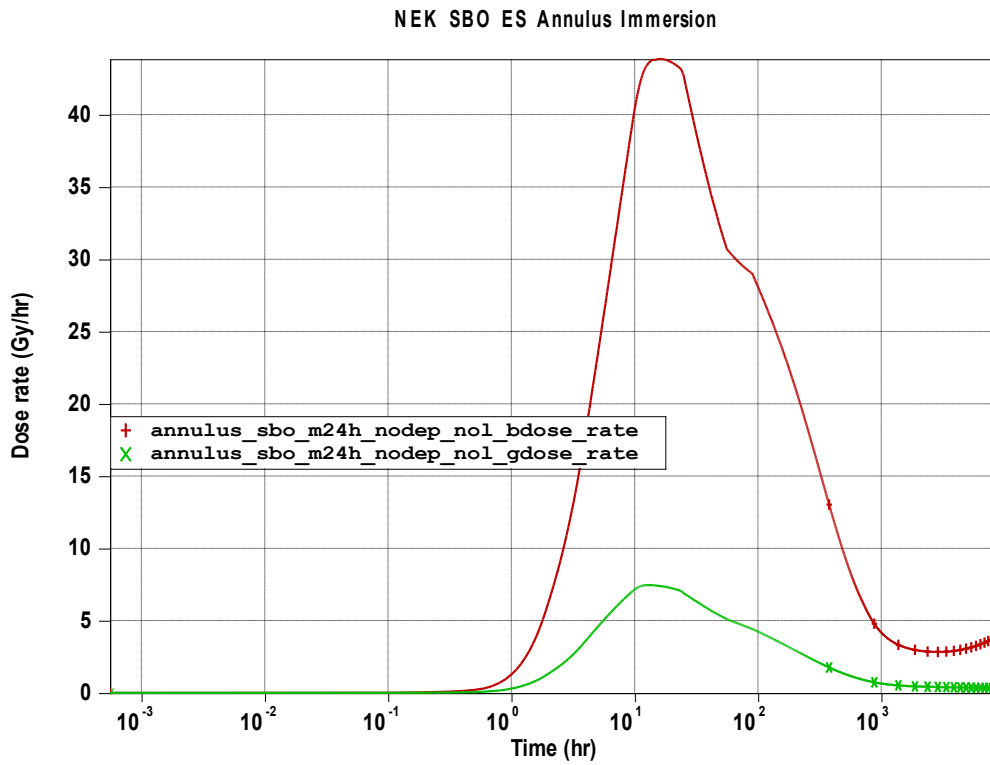


Slika 4-13 ES NEK RB usporedba gama *immersion* doza - RADTRAD i MicroShield

RADTRAD proračun doza u anulusu je pokazao da su *immersion* doze najniže ako postoji taloženje u anulusu jer su niže koncentracije radioaktivnosti u zraku. Zbog toga su za taj slučaj provedeni dodatni proračuni kako bi se uzela u obzir površinska kontaminacija. Konzervativna pretpostavka je da se zanemari taloženje u anulusu (veće doze) zbog čega rezultati na pripadajućim slikama Slika 4-14 i Slika 4-15 sadrže oznaku *_nodep* (engl. no deposition). RADTRAD model ne može izračunati razmjenu fluida između odjeljaka zasnovanu na razlici tlakova pa je zato potrebno propisati sve brzine protoka. Izlazni protok iz volumena je izračunat tako da se uravnoteži s ulaznim protokom iz kontejnmenta. Zbog niže koncentracije radioaktivnog materijala u anulusu u odnosu na kontejnment, koncentracija kontaminanta koji je dođe u anulus je uvijek niža od pripadajućeg izvora zbog curenja kontejnmenta. Kako bi se kvantificirao taj utjecaj, promatrao se slučaj bez izlaznog protoka iz anulusa zbog čega rezultati na pripadajućim slikama Slika 4-14 i Slika 4-15 sadrže oznaku *_nol*. Zbog toga je za ES *immersion* doze uzet kao reprezentativni slučaj *_nodep_nol* slučaj. Slika 4-14 prikazuje ukupne beta i gama *immersion* doze u anulusu, a Slika 4-15 brzine beta i gama *immersion* doza u anulusu. Kumulativne beta *immersion* doze na kraju jedne godine su 38168 Gy, a gama *immersion* doze 4882 Gy. Vrijednosti doza su izračunate u središtu sfere što je dodatni konzervativizam jer su doze u središtu sfere veće nego doze u središtu anularnog cilindra iste koncentracije kontaminanta.



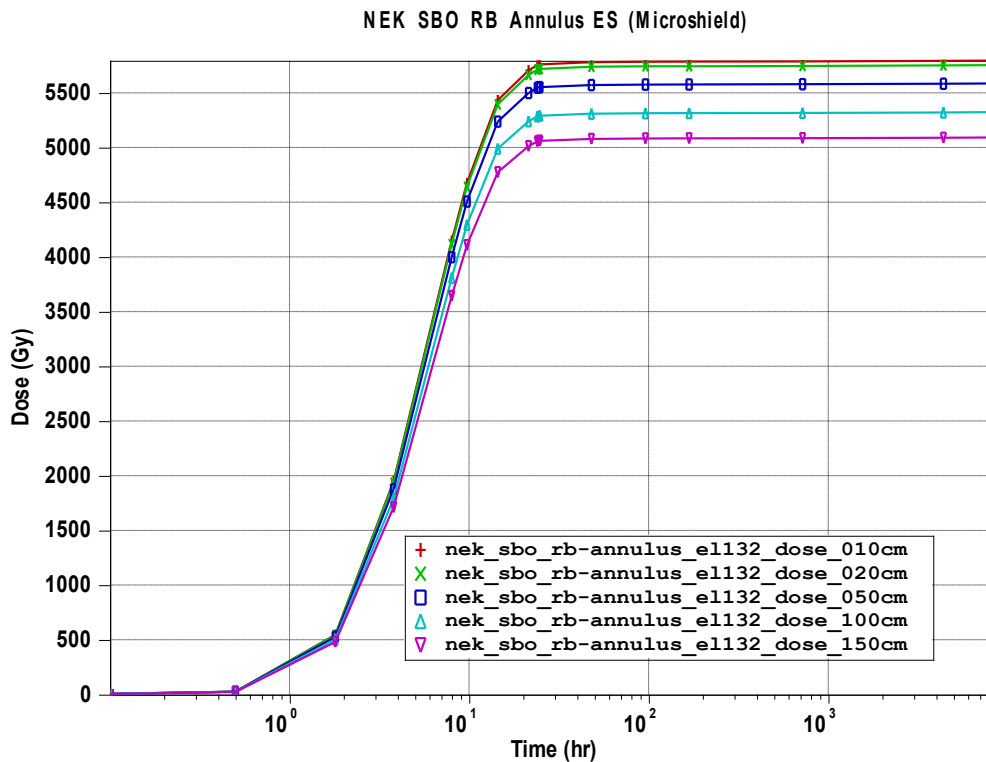
Slika 4-14 ES NEK ukupne beta i gama *immersion* doze u anulusu – RADTRAD



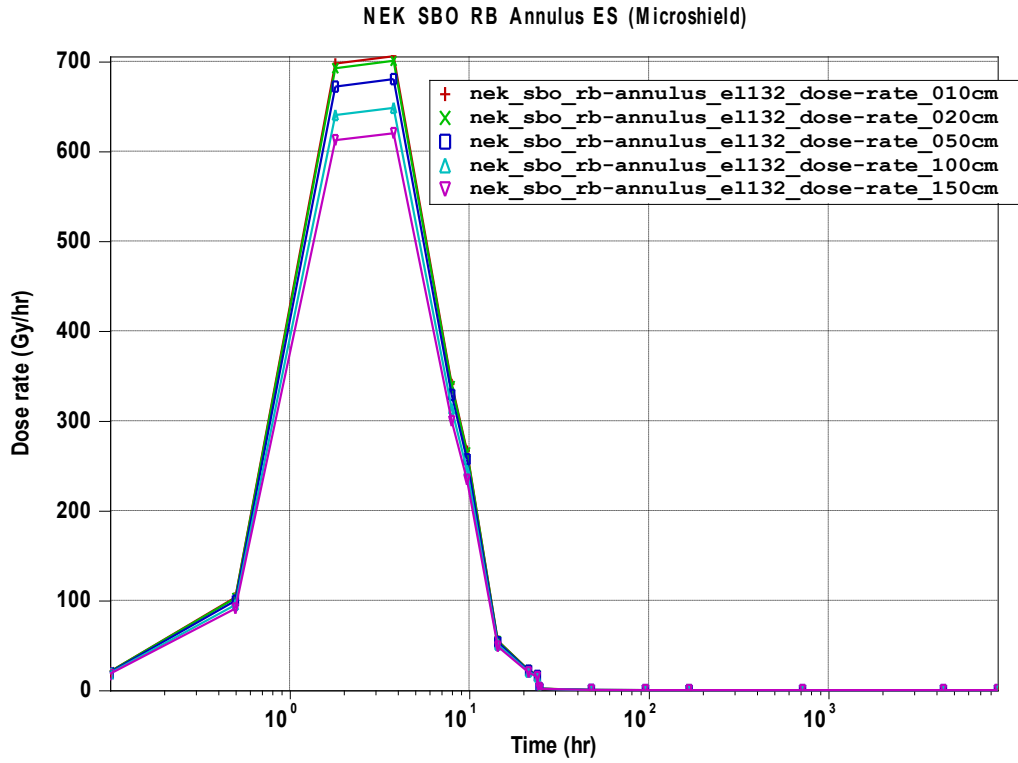
Slika 4-15 ES NEK ukupne brzine beta i gama *immersion* doza u anulusu– RADTRAD

MicroShield proračuni su dali ukupne gama *shine* doze i brzine gama *shine* doza na elevacijama 101,3, 105, 108,6, 109, 116,6 i 132 m i to na udaljenostima 10, 20, 50, 100 i 150 cm od čelične površine kontejnmenta. Najveće vrijednosti doza su dobivene za najvišu elevaciju 132 m kao što je prikazano na Slika 4-18 i to na najmanjoj udaljenosti od čelične površine kontejnmenta (10 cm) kao što i prikazuje Slika 4-16 i Slika 4-17. Za svih šest različitih elevacija, najveća doza je na najmanjoj udaljenosti od čelične površine kontejnmenta (10 cm), pa Slika 4-18 prikazuje usporedbu gama *shine* doza 10 cm od čelične površine kontejnmenta za sve navedene elevacije. Ukupne gama *shine* doze za anulus na kraju intervala od jedne godine za elevaciju 132 m i udaljenost 10 cm od čelične površine kontejnmenta su 5795 Gy. MicroShield proračuni su pokazali da gama *shine* doze rastu s elevacijom, od 3578 Gy na elevaciji 101,3 m do 5795 Gy na elevaciji 132 m. Dodatno, rezultati su pokazali da razlika doza između najbliže i najudaljenije točke od čelične površine kontejnmenta varira između 500 do 700 Gy.

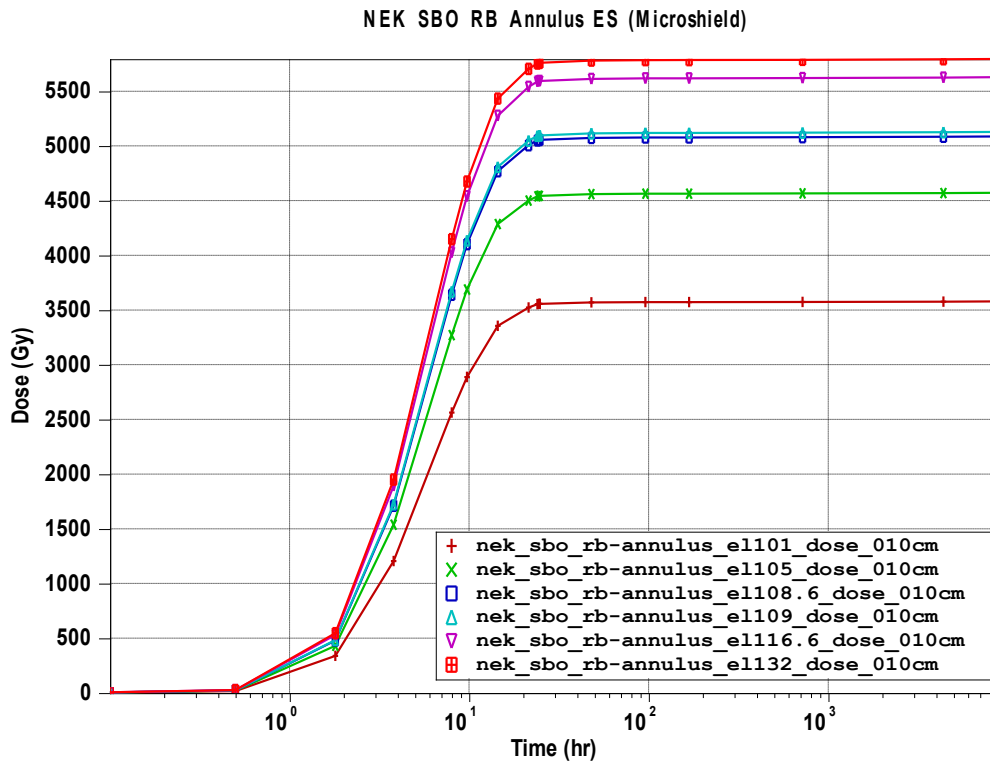
Kako bi se dobila ukupne doze, potrebno je zbrojiti *immersion* i *shine* doze. Dobivena vrijednost je konzervativna za ES doze na svim lokacijama u kontejnmentu osim u blizini penetracija gdje postoji utjecaj lokalnih karakteristika penetracija.



Slika 4-16 ES NEK ukupne gama *shine* doze u anulusu na elevaciji 132 m – MicroShield



Slika 4-17 ES NEK brzine gama shine doza u anulusu na elevaciji 132 m - MicroShield



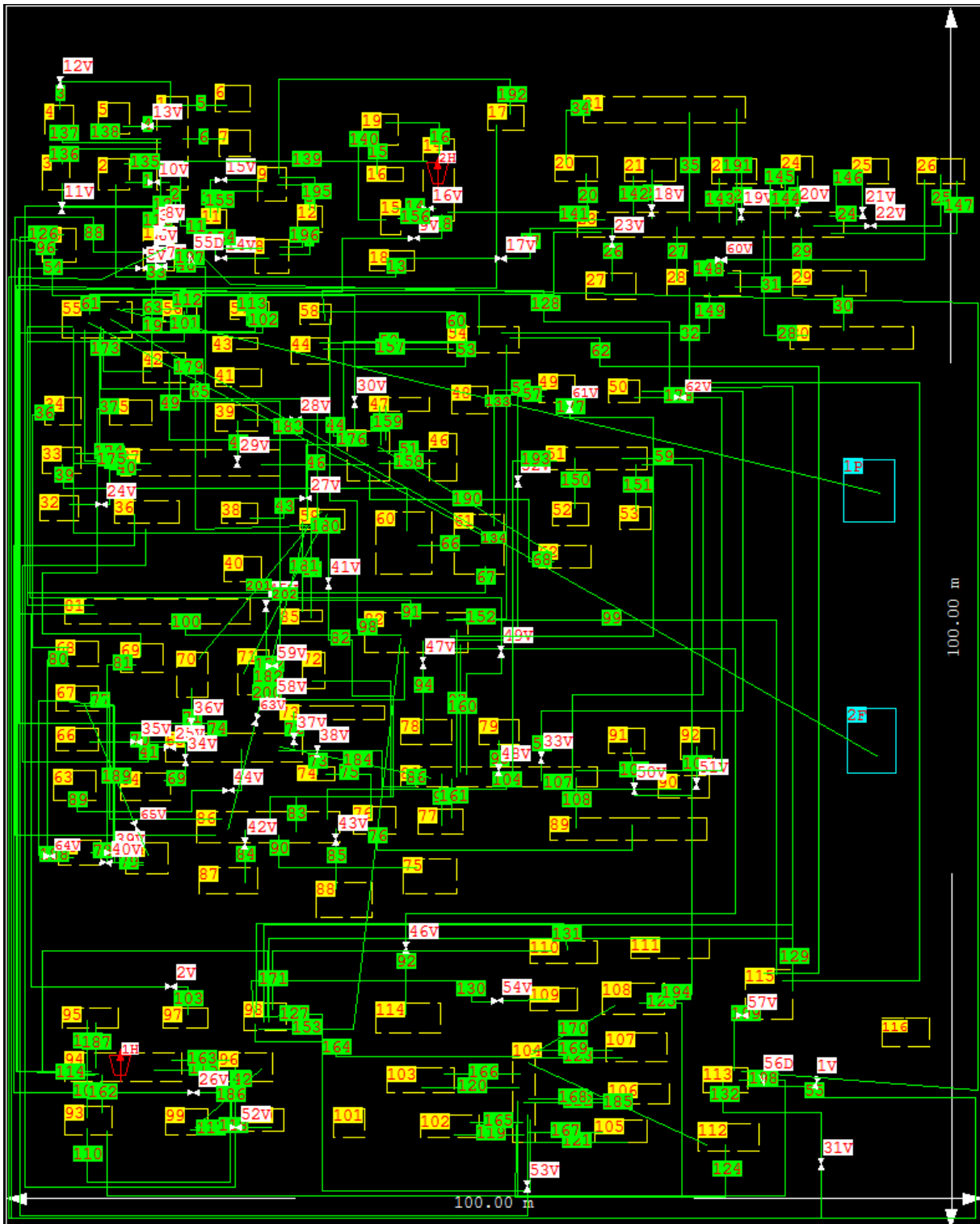
Slika 4-18 ES NEK ukupne gama shine doze u anulusu po elevacijama – MicroShield

4.2. Primjena metodologije proračuna okolišnih uvjeta na pomoćnu zgradu

4.2.1. Opis modela i proračuna za pomoćnu zgradu

Okolišni uvjeti za pomoćnu zgradu se računaju pomoću termohidrauličkih i radioloških uvjeta u kontejnmentu dobivenih MAAP i RADTRAD programom koji su opisani u poglavlju 4.1. Termohidraulički uvjeti za pomoćnu zgradu su dobiveni GOTHIC programom tako da su curenje i prijenos topline preuzeti iz proračuna kontejnmenta za SBO scenarij s ublažavanjem posljedica 24 sata nakon početka teške nuklearne nesreće. Slika 4-19 prikazuje GOTHIC model pomoćne zgrade u nuklearnoj elektrani Krško. Za svaku sobu u pomoćnoj zgradi izračunata je površina prijena topline na dodiru zida sobe i reaktorske zgrade na elevacijama 100,30, 107,62 i 115,52 m. Vrh pomoćne zgrade je na elevaciji 123,17 m te je za područje iznad te elevacije izračunata dodirna površina između okoliša i reaktorske zgrade. Vanjski polumjer reaktorske zgrade je 18,32 m, odnosno zbroj vanjskog polumjera kontejnmenta i debljine anulusa. Površina prijena je izračunata tako da se oduzela debljina zidova, poda i stropa.

Curenje je modelirano kao vremenski ovisan rubni uvjet tlaka s podacima dobivenim MAAP proračunom (tlak, temperatura, volumni udio pare i plinova u kontejnmentu). Anulus se grije zbog čeličnog dijela kontejnmenta s time da je čelični dio kontejnmenta konzervativno inicijaliziran na temperaturu kontejnmenta. Koeficijenti prijena topline između kontejnmenta i anulusa prema reaktorskoj zgradi uzimaju u obzir prirodnu konvekciju i zračenje. U ovim proračunima se ne promatra curenje iz anulusa u kontejnment, dakle promatra se slučaj direktno curenja iz kontejnmenta. Sve sobe i toplinske strukture u pomoćnoj zgradi su inicijalizirane na temperaturu 40 °C, a okolina na temperaturu 35 °C. Curenje iz pomoćne zgrade je modelirano u sobi AB093 i iznosi 6% slobodnog volumena po danu. U sobi AB094 je modeliran grijač konstantne snage od 10 kW koji opisuje utjecaj jednih filtera nakon djelovanja PCFV sustava. Pretpostavljenih 10 kW unesene topline u pomoćnu zgradu nakon početka recirkulacije u AB014 zbog toplinskih gubitaka pumpe/motora i modelirana je dodatna toplinska struktura koja opisuje toplinski izmjenjivač ARHR sustava (ukupne površine 7,8 m²).



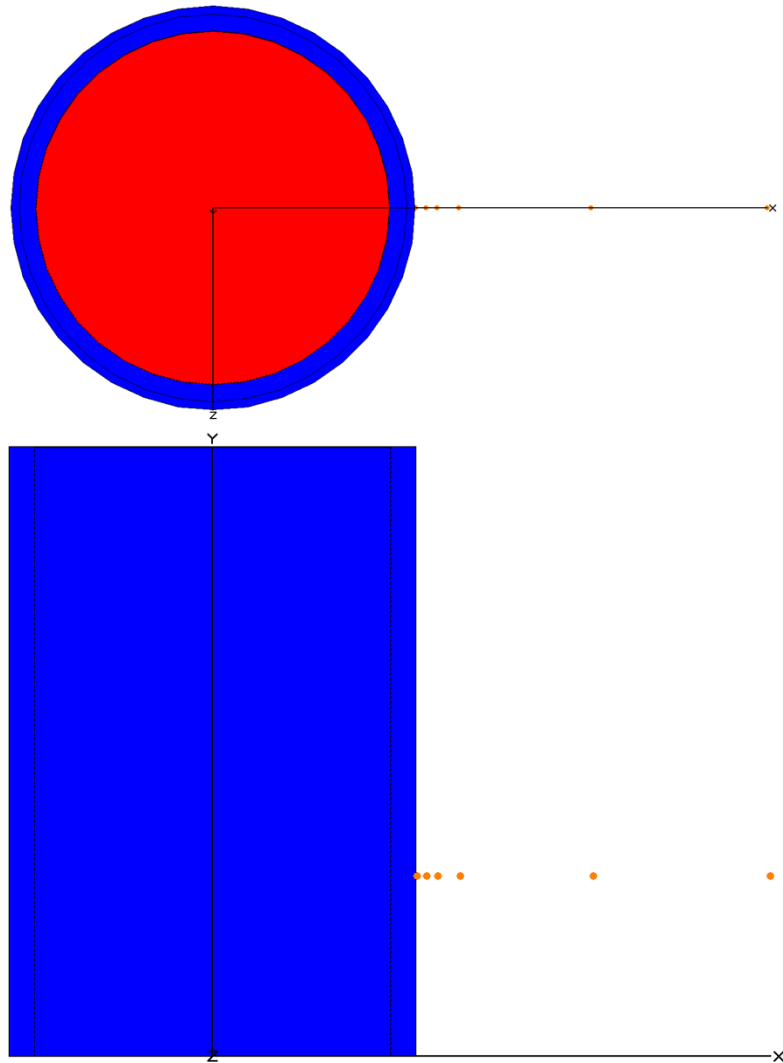
Slika 4-19 NEK GOTHIC model pomoćne zgrade

Neke od važnijih soba u pomoćnoj zgradi su:

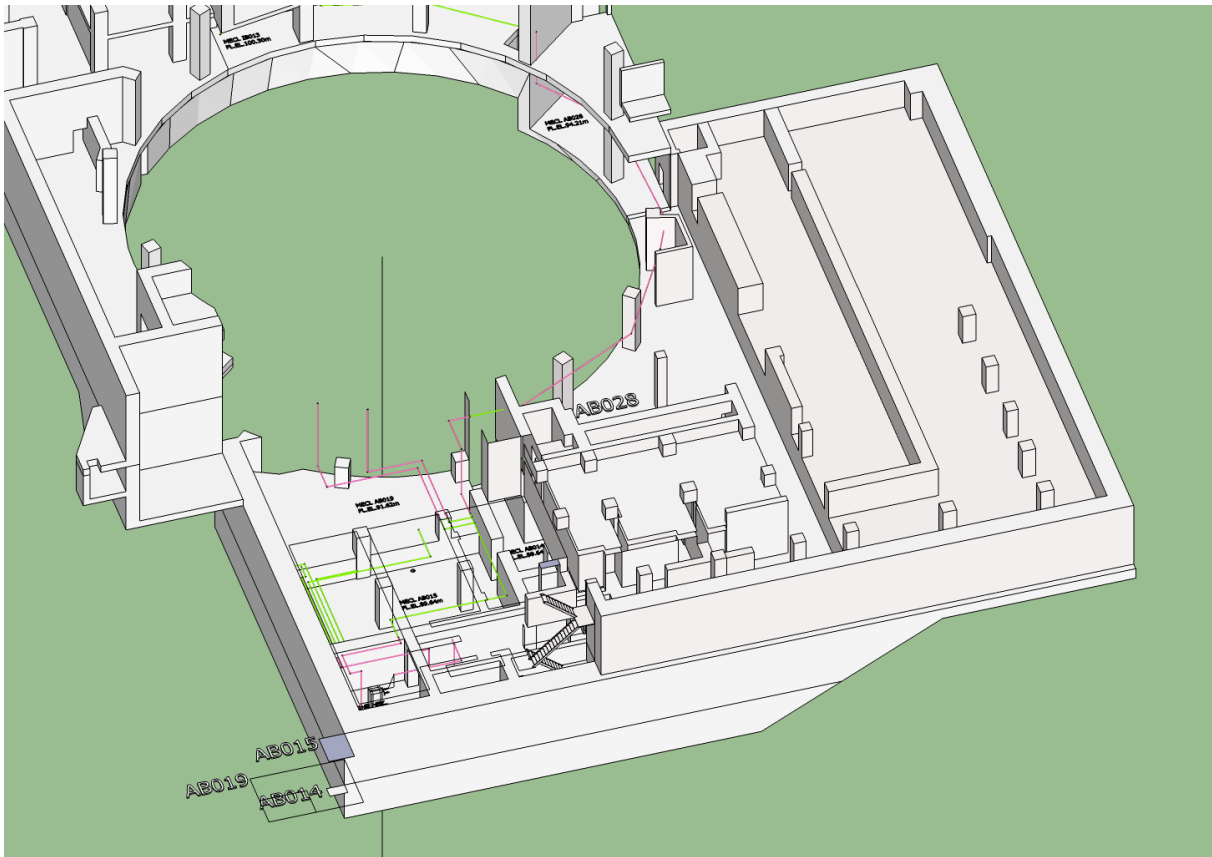
- Soba AB014 u kojoj se nalazi pumpa i izmjenjivači topline ARHR sustava

- Soba AB055 je mjesto curenja iz kontejnmenta (maksimalno dozvoljeno curenje kontejnmenta izračunato je MAAP proračunom)
- Soba AB093 u kojoj se nalazi HVAC sustav, odnosno mjesto curenja iz pomoćne zgrade u okoliš
- Soba AB094 u kojoj se nalaze jodni filteri PCFV sustava.

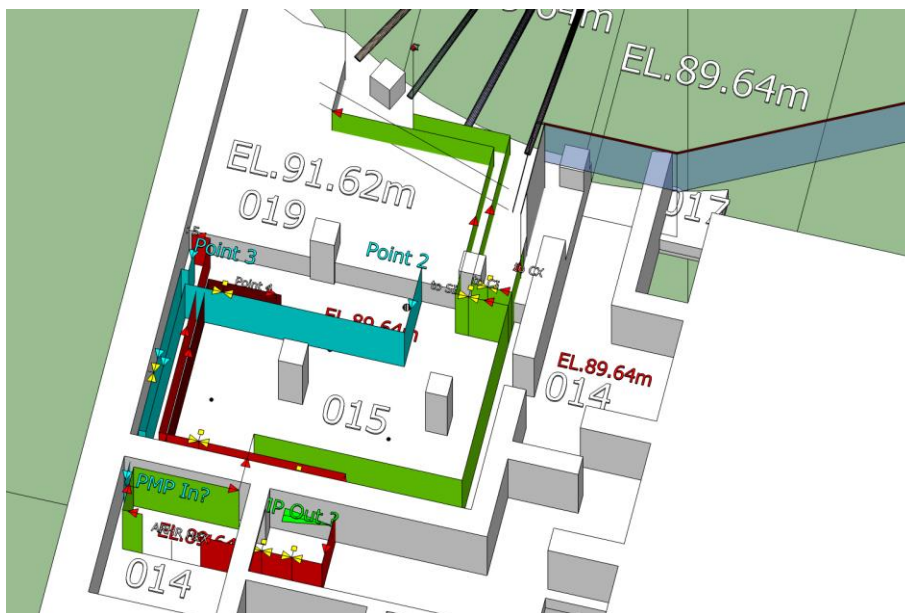
Radiološki uvjeti za pomoćnu zgradu se baziraju na proračunu beta i gama doza u kontejnmentu za SBO scenarij s ublažavanjem posljedica 24 sata nakon početka teške nuklearne nesreće koji je opisan u poglavlju 4.1. Doze u pomoćnoj zgradi se računaju kao zbroj *immersion* doza dobivenih RADTRAD programom *shine* doza dobivenih MicroShield programom. Metodologija proračuna doza je pokazana na primjeru sobe AB045. *Immersion* doze se mogu izračunati RADTRAD programom koristeći direktno curenje (kroz penetracije kontejnmenta) i tada se koristi RADTRAD model prikazan na Slika 4-3 ili indirektno curenje (kroz anulus) i pripadajući RADTRAD model prikazan na Slika 4-5. Putanja 5 na Slika 4-5 prikazuje skalirano curenje što znači da je projektno curenje kontejnmenta skalirano s omjerom dodirne površine pomoćne zgrade i anulusa te ukupne površine vanjskog zida anulusa (taj omjer iznosi 0,2194). MicroShield program se koristi kako bi se izračunale gama *shine* doze od izvora u kontejnmentu. Model je sličan MicroShield modelu za proračun doza u anulusu i prikazan je na Slika 4-20. Promatraju se elevacije 101,3, 108,62 i 116,55 m, te se doze računaju na udaljenosti 10, 100, 200, 400, 1600 i 3200 cm od kontejnmenta.

Slika 4-20 MicroShield model kontejnmenta za računanje *shine* doza

Dodatno je promatran MicroShield proračun doza oko ARHR cijevi kako bi se odredile doze za opremu koja se nalazi u blizini ARHR cjevovoda. Lokacije ARHR cjevovoda u pomoćnoj zgradi nuklearne elektrane Krško su prikazani na Slika 4-21 i Slika 4-22. Promatrane su ARHR cijevi različitih duljina od 2, 4, 6, 8, 10 i 12 m i lokacije udaljene 10, 20, 40, 100 i 200 cm od ARHR cjevovoda. Konzervativno je pretpostavljeno da recirkulacija počela jedan sat nakon početka nesreće pri čemu se u bazenu skupilo 760 m^3 hladioca. U stvarnosti, recirkulacija u takvom događaju počinje 31 sat nakon početka nesreće što znači da je proračun proveden u ovoj disertaciji konzervativan. Provedeni su proračuni za slučajeve kada recirkulacija počinje jedan sat i osam sati nakon početka nesreće.



Slika 4-21 NEK raspored ARHR cjevovoda u pomoćnoj zgradi



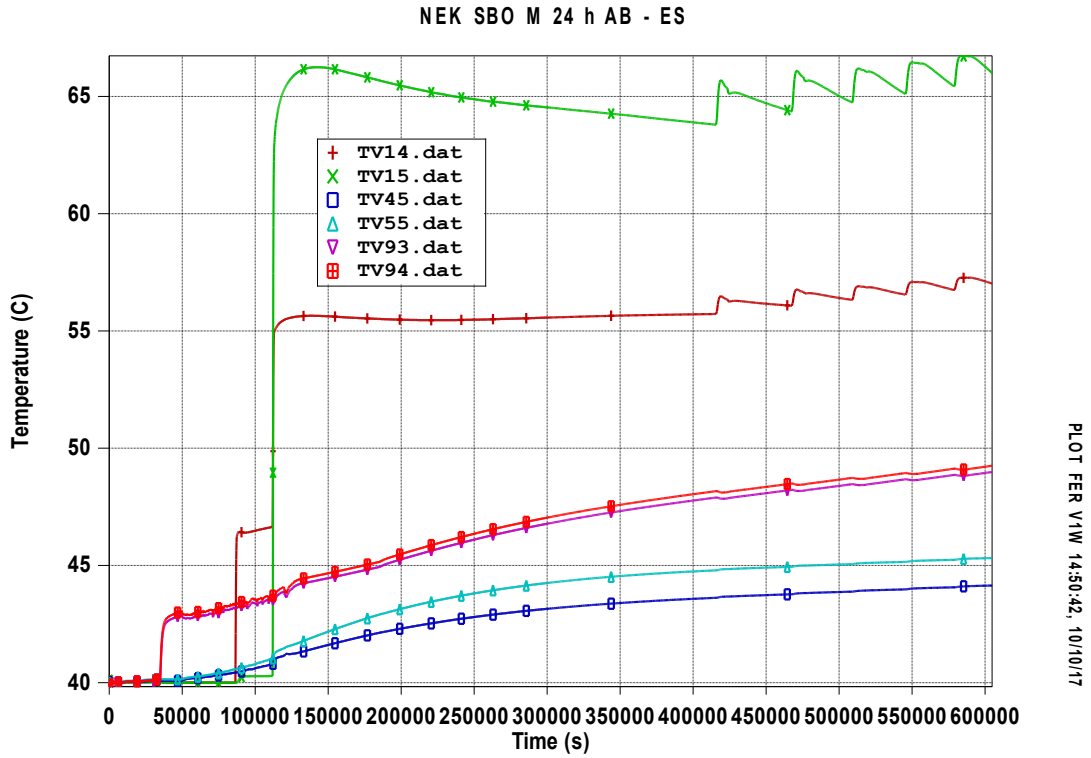
Slika 4-22 NEK lokacije ARHR cjevovoda u pomoćnoj zgradi

4.2.2. Rezultati i analiza rezultata za pomoćnu zgradu

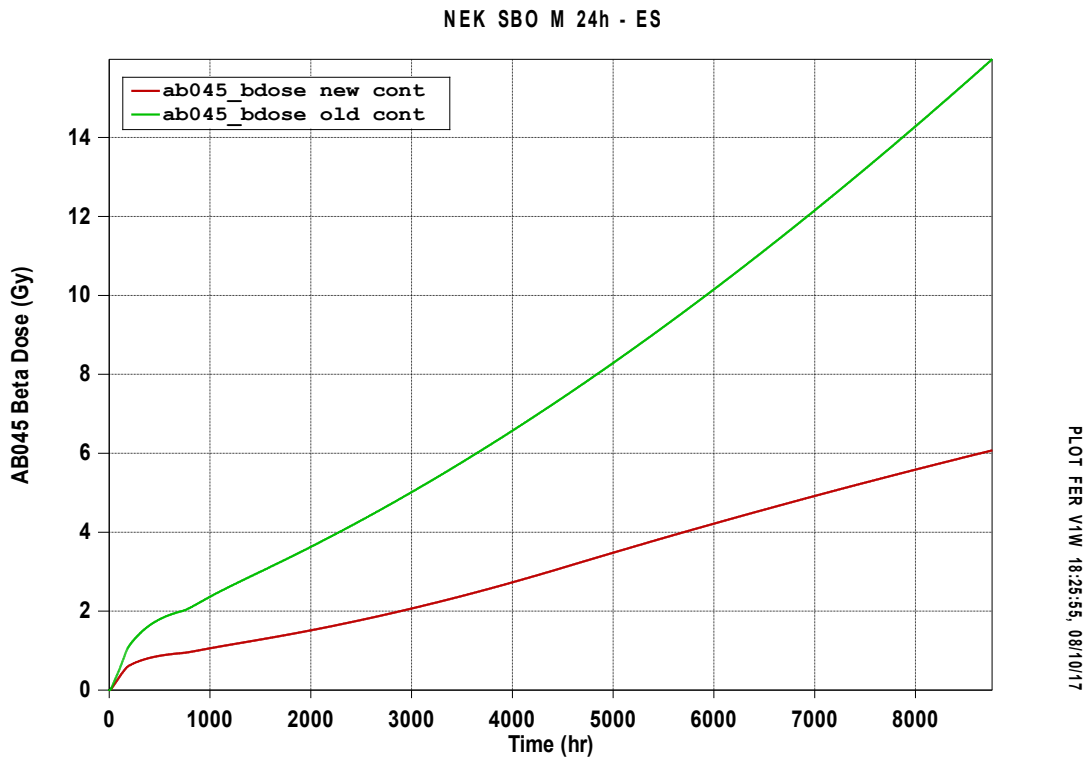
Rezultati GOTHIC proračuna su pokazali da otvaranje vrata između soba u pomoćnoj zgradi tijekom nesreće može smanjiti temperaturu ovisno o relativnom položaju otvorenih vrata i sobe. Slika 4-23 prikazuje temperature u najvažnijim sobama u pomoćnoj zgradi nuklearne elektrane Krško. Može se vidjeti da je povišenje temperature u pravilu malo, temperature su ispod 50 °C, a porast temperature ispod 10 °C osim u sobama kojima prolaze recirkulacijske cijevi AB014 i AB015 gdje je porast temperature do 65 °C. U sobi AB045 je temperatura ispod 44 °C što znači da je temperatura porasla samo za 4 °C. Iako nije prikazano na Slika 4-23, temperatura u sobi AB086 je porasla samo za 1 °C. Kad se usporede rezultati starog i novog MAAP kontejnment modela, može se vidjeti da su temperature nešto više zbog ranijeg početka recirkulacije, ranijeg djelovanja PCFV sustava i viših temperatura u kontejnmentu nakon djelovanja sprej sustava, osim u sobama kojima se nalaze ARHR cijevi u kojima je temperatura veća čak 5 °C.

RADTRAD rezultati proračuna doza su prikazani na Slika 4-24, koja prikazuje ukupnu beta *immersion* dozu, a Slika 4-25 ukupne gama *immersion* doze za sobu AB045 u nuklearnoj elektrani Krško pri indirektnom curenju iz kontejnmenta. Na Slika 4-25 se vidi da su doze niže za novi MAAP kontejnment model jer PCFV sustav ranije proradi zbog čega je dulje vrijeme odzračivanja (engl. venting).

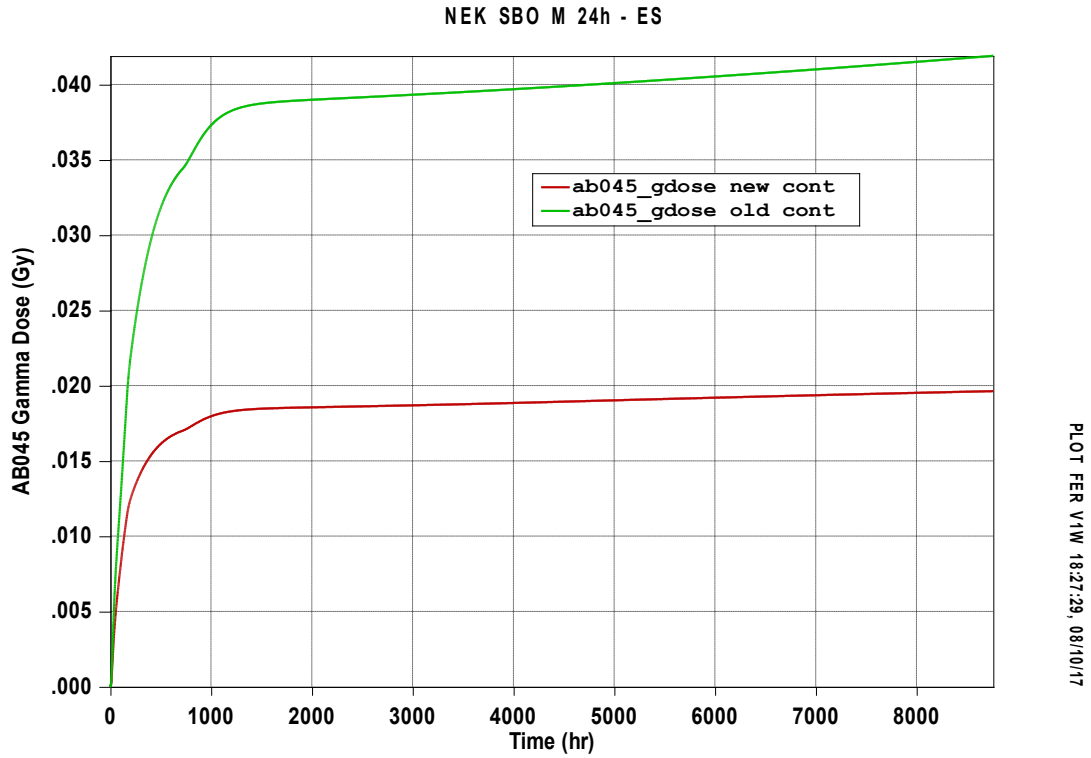
MicroShield proračunom su dobivene ukupne gama *shine* doze i brzine gama *shine* doza u pomoćnoj zgradi na elevacijama 101,3, 108,62 i 116,55 m i to na udaljenostima 10, 100, 200, 400, 1600 i 3200 cm od čelične površine kontejnmenta. Najveće vrijednosti doza su naravno dobivene za najvišu elevaciju 116,55 pa Slika 4-26 prikazuje ukupne gama *shine* doze, a Slika 4-27 brzine gama *shine* doza u pomoćnoj zgradi na elevaciji 116,55 m.



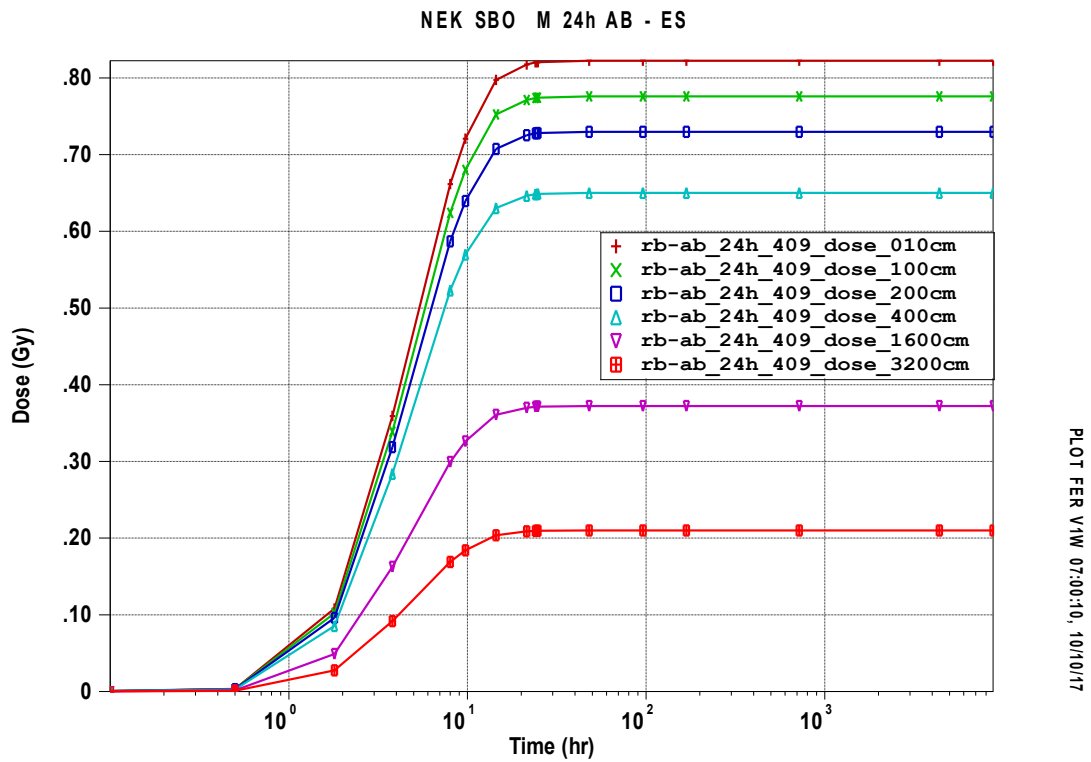
Slika 4-23 ES NEK AB temperature



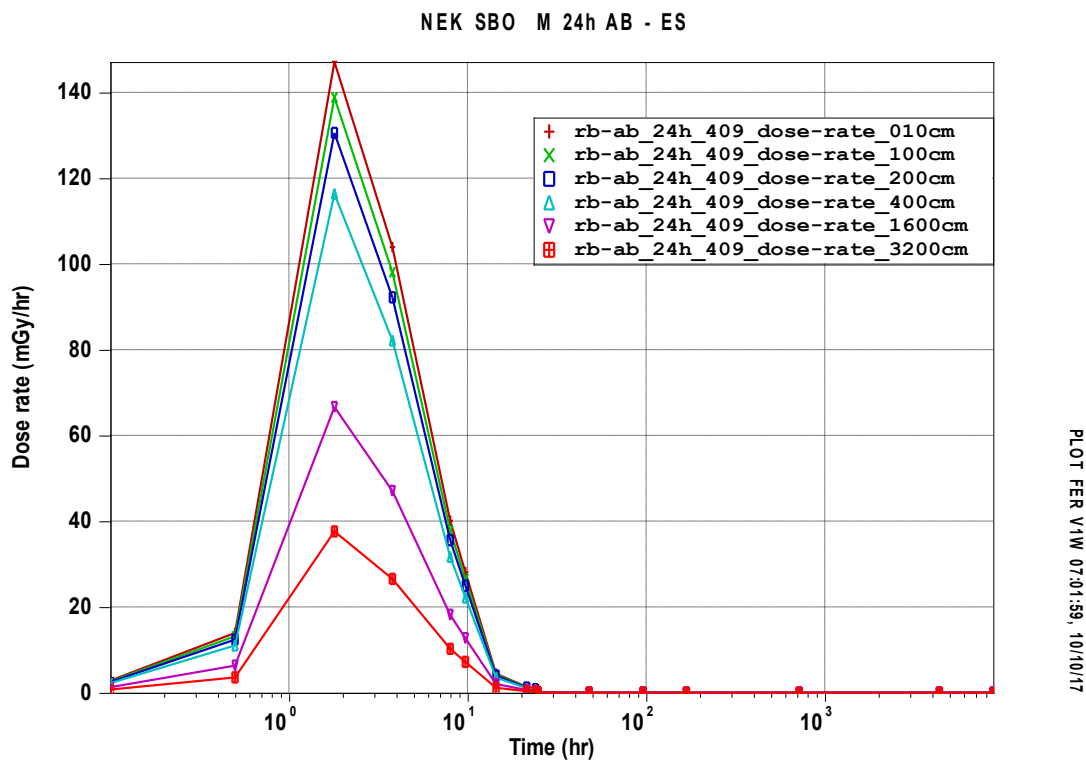
Slika 4-24 ES NEK beta immersion doze u AB045, indirektno curenje – RADTRAD



Slika 4-25 ES NEK gama *immersion* doze u AB045, indirektno curenje – RADTRAD

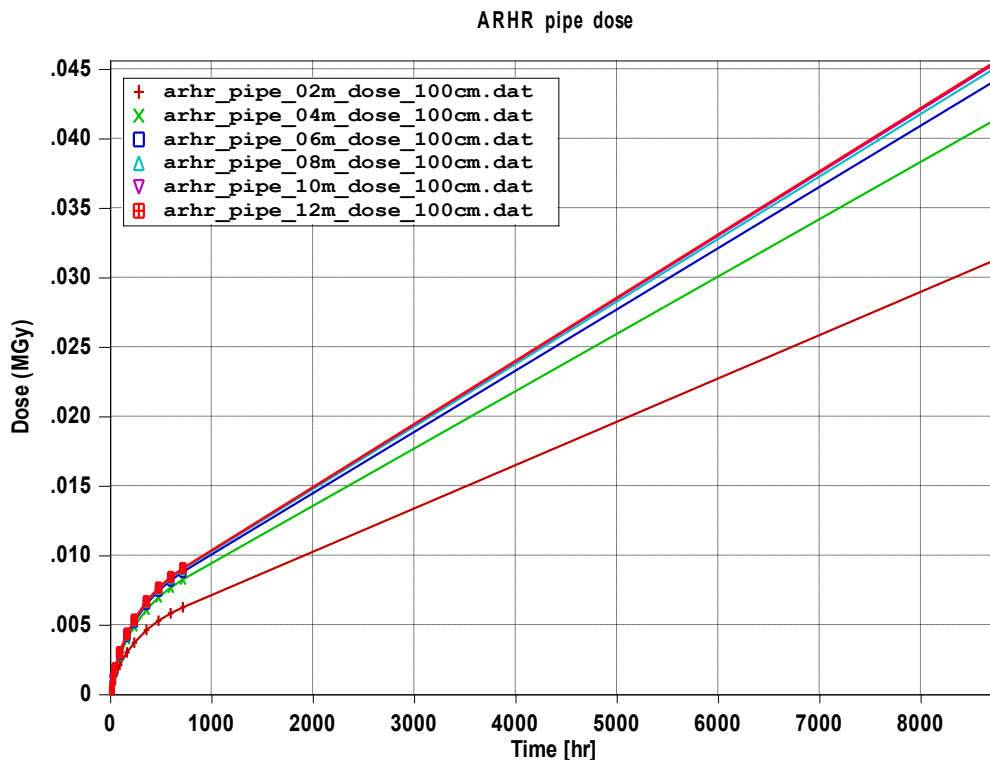


Slika 4-26 ES NEK *shine* doze u pomoćnoj zgradi na elevaciji 116,55 m - MicroShield

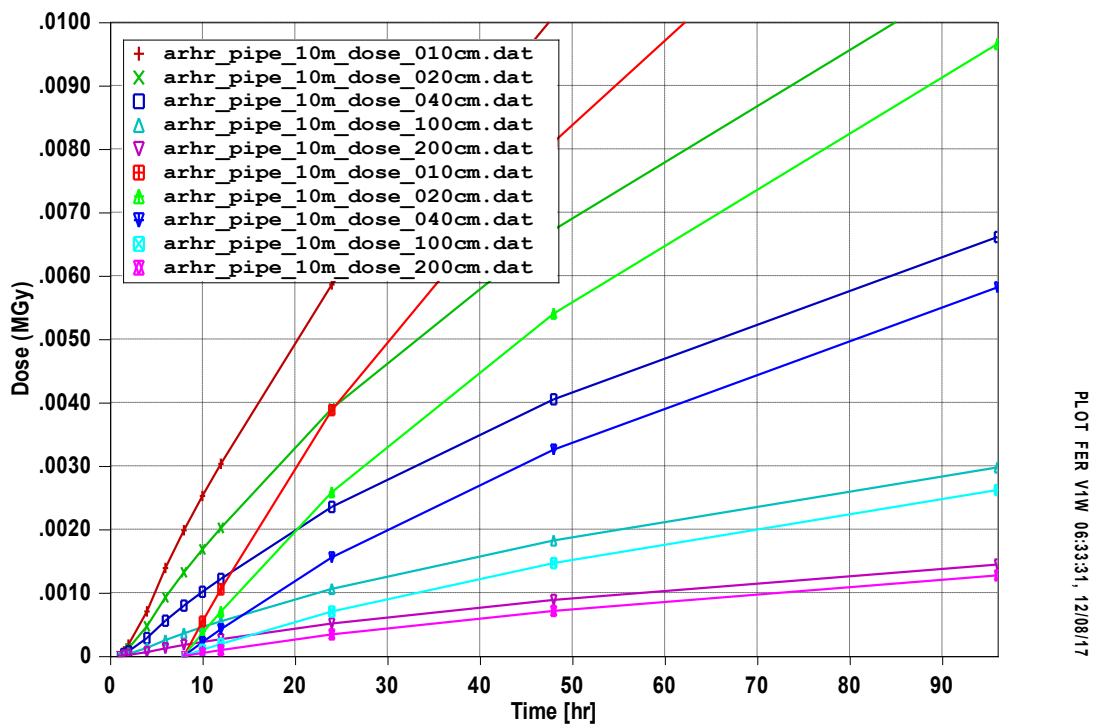


Slika 4-27 ES NEK brzine shine doza u pomoćnoj zgradi na elevaciji 116,55 m - MicroShield

Rezultati MicroShield proračuna su pokazali da su najveće doze prisutne na najmanjoj udaljenosti od ARHR cjevovoda (100 cm). U slučaju najmanje udaljenosti od ARHR cjevovoda (100 cm) duljina ARHR cijevi ima mali utjecaj na doze dok je za veće udaljenosti od ARHR cjevovoda izraženija razlika u dozama za različite duljine ARHR cijevi. Razlike doza između najbliže i najudaljenije točke od ARHR cjevovoda su kreću od 239492 Gy za 2 m dugu ARHR cijev do 226977 Gy za 12 m dugu ARHR cijev. Rezultati su pokazali da je na manjim udaljenostima od ARHR cjevovoda neznatna razlika u dozama za različite duljine ARHR cijevi, te ona raste s udaljavanjem od ARHR cjevovoda. Slika 4-28 prikazuje doze na udaljenosti 100 cm od ARHR cjevovoda za različite duljine ARHR cijevi. Slika 4-29 prikazuje doze na različitim udaljenostima od ARHR cjevovoda za slučajeve početka recirkulacije jedan sat i osam sati nakon početka nesreće za ARHR cijev duljine 10 m. Vidljivo je kako su doze veće kada recirkulacija započne jedan sat nakon početka nesreće i kako su te razlike smanjuju za veće udaljenosti od ARHR cjevovoda.



Slika 4-28 ES NEK ARHR doze na udaljenosti 100 cm od ARHR cjevovoda za različite duljine ARHR cijevi - MicroShield



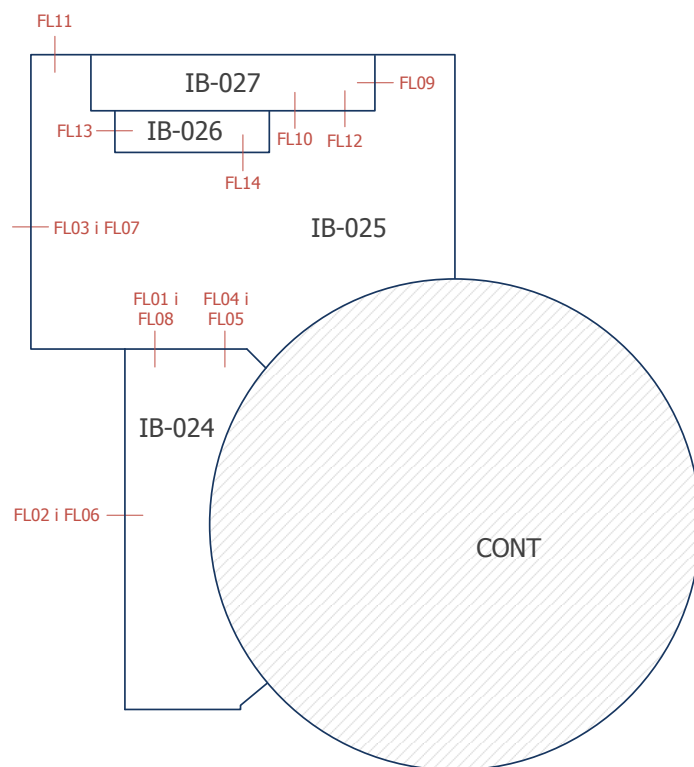
PLOT FER V1W 06:33:31, 12/08/17

Slika 4-29 ES NEK ARHR doze na različitim udaljenostima od ARHR cjevovoda u slučaju početka recirkulacije jedan i osam sati nakon početka nesreće - MicroShield

4.3. Primjena metodologije proračuna okolišnih uvjeta na međuzgradu

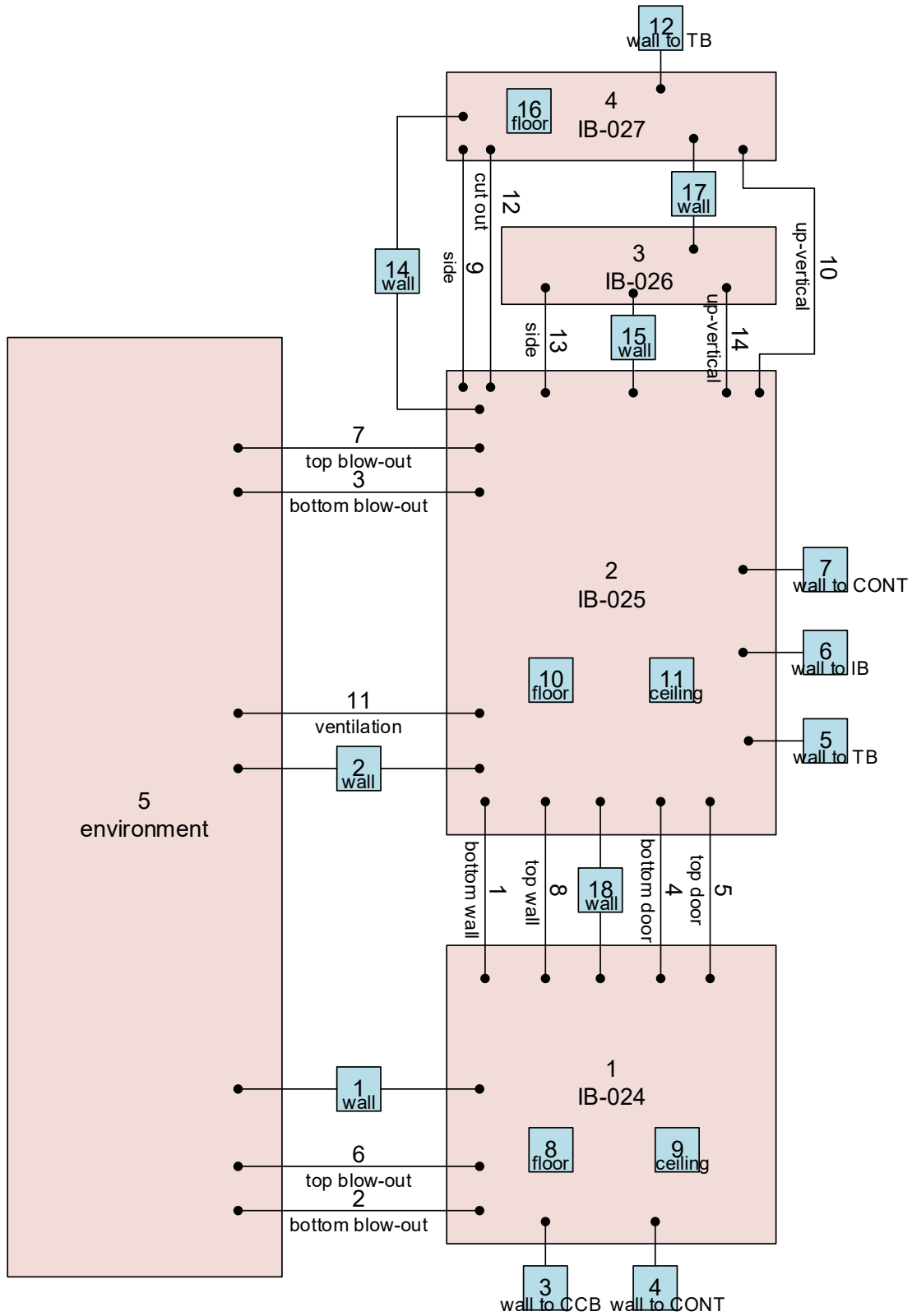
4.3.1. Opis modela i proračuna za međuzgradu

Za proračun uvjeta u međuzgradi su korišteni isti programi i način priprema ulaznih podataka kao za pomoćnu zgradu kako je opisano u poglavlju 4.2. Termohidraulički uvjeti za međuzgradu su dobiveni s GOTHIC programom tako da su curenje i prijenos topline preuzeti iz proračuna kontejnmenta za SBO scenarij s ublažavanjem posljedica 24 sata nakon početka teške nuklearne nesreće. Za svaku sobu u međuzgradi izračunata je površina prijenosa topline na dodiru zida sobe i reaktorske zgrade na elevacijama 100,30, 107,62 i 115,52 m. Vrh međuzgrade je na elevaciji 123,77 m, te je za područje iznad te elevacije izračunata dodirna površina između okoliša i reaktorske zgrade. Polumjer reaktorske zgrade je 18,32 m. U međuzgradi je promatrana elevacija 107,62 m jer je to elevacija na kojoj se nalazi glavni parovod koji odvodi paru iz reaktorske zgrade kroz pomoćnu zgradu u turbinsku zgradu. Slika 4-30 prikazuje tlocrt međuzgrade na elevaciji 107,62 m u nuklearnoj elektrani Krško sa najvažnijim sobama. Neke od tipičnih primjera prostorija s bitnom opremom koje se nalaze u međuzgradi i mogu biti pod utjecajem uvjeta koji vladaju u kontejnmentu su IB024, IB025, IB026 i IB027 te su zato one prikazane na Slika 4-30.



Slika 4-30 NEK tlocrt međuzgrade na elevaciji 107,62 m

Slika 4-31 prikazuje GOTHIC model soba kojima prolazni glavni parovod na elevaciji 107,62 m u međuzgradi nuklearne elektrane Krško.



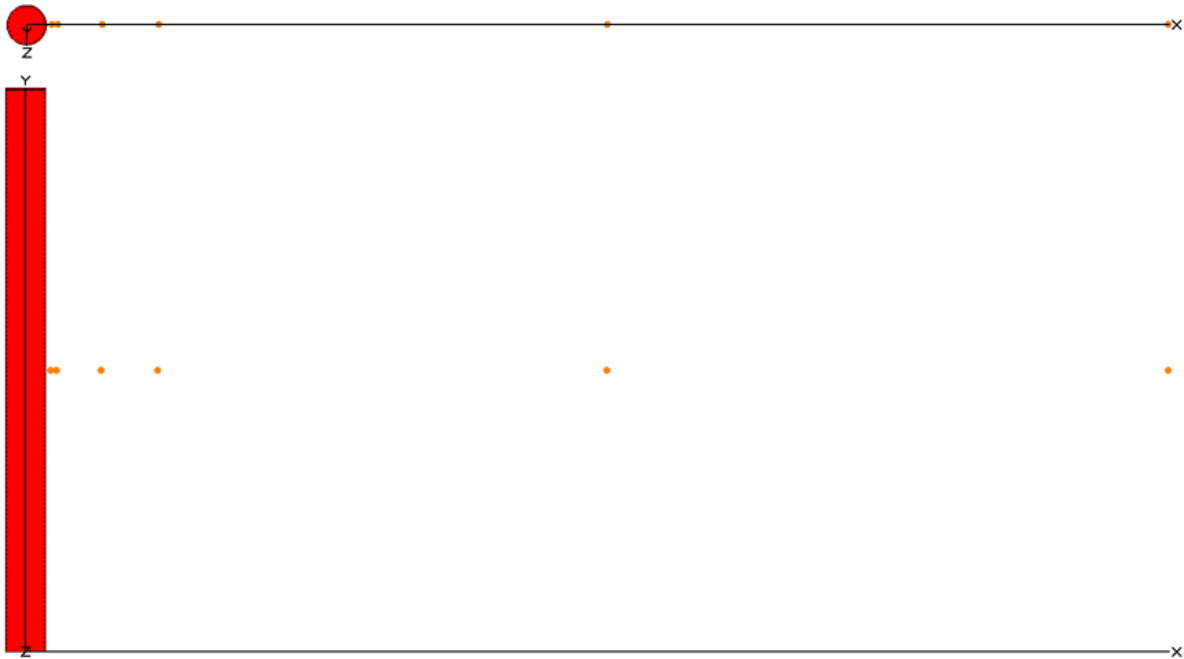
Slika 4-31 NEK GOTHIC model međuzgrade na elevaciji 107,62 m

Model se sastoji od pet kontrolnih volumena koji prikazuju sobe IB024, IB025, IB026, IB027 i okoliš. Kontrolni volumeni su povezani s 15 strujnica koje modeliraju vrata, poveznice s graničnim uvjetima ili poveznice s *blow-out* panelima. *Blow-out* paneli su modelirani kao koristeći *valve/door* komponentu u GOTHIC programu. Dodatno model sadrži 18 toplinskih struktura koje modeliraju samo betonske strukture zidova, poda i stropa svake pojedine sobe na elevaciji 107,62 m pomoćne zgrade u nuklearnoj elektrani Krško.

GOTHIC programom su se modelirale još dvije sobe na elevaciji 107,62 m u međuzgradi nuklearne elektrane Krško kako bi se dobili termohidraulički uvjeti u tim sobama. To su sobe IB029 koja je u direktnom dodiru s reaktorskom zgradom i soba IB028 koja je u dodir s IB029, ali nije u dodiru s reaktorskom zgradom. GOTHIC model IB029 i IB028 soba je prikazan i detaljno objašnjen u poglavlju 5. Termohidraulički uvjeti za IB029 i IB028 sobe su dobiveni GOTHIC programom tako da su curenje i prijenos topline preuzeti iz proračuna kontejnmenta za SBO scenarij s ublažavanjem posljedica 24 sata nakon početka teške nuklearne nesreće.

Radiološki uvjeti u međuzgradi se računaju na isti način kao radiološki uvjeti u pomoćnoj zgradi opisani u poglavlju 4.2.1. Promatrani scenarij je SBO scenarij s ublažavanjem posljedica 24 sata nakon početka teške nuklearne nesreće koji je opisan u poglavlju 4.1. Doze u međuzgradi se računaju kao zbroj *immersion* doza dobivenih RADTRAD programom *shine* doza dobivenih MicroShield programom. Metodologija proračuna doza je pokazana na primjeru sobe IB029. *Immersion* doze se za sobu IB029 mogu izračunati samo kao indirektno curenje (kroz anulus) koristeći pripadajući RADTRAD model prikazan na Slika 4-5. Putanja 5 na Slika 4-5 prikazuje skalirano curenje što znači da je projektno curenje kontejnmenta skalirano s omjerom dodirne površine IB029 i anulusa te ukupne površine vanjskog zida anulusa (taj omjer iznosi 0,0195). Za proračun *shine* doza promatraju se elevacije 101,3, 108,62 i 116,55 m, te se doze računaju na udaljenosti 10, 100, 200, 400, 1600 i 3200 cm od kontejnmenta.

Dodatno je promatran MicroShield proračun doza oko glavnog parovoda u slučaju SGTR scenarija kada se izvor radioaktivnog sadržaja nalazi u cijevima glavnog parovoda. Slika 4-32 prikazuje MicroShield model glavnog parovoda za računanje doza pri SGTR nesreći. Promatraju se 2, 4, 10 i 20 m duge cijevi glavnog parovoda, te se doze računaju na udaljenosti 10, 20, 100, 200, 1000 i 2000 cm od glavnog parovoda.

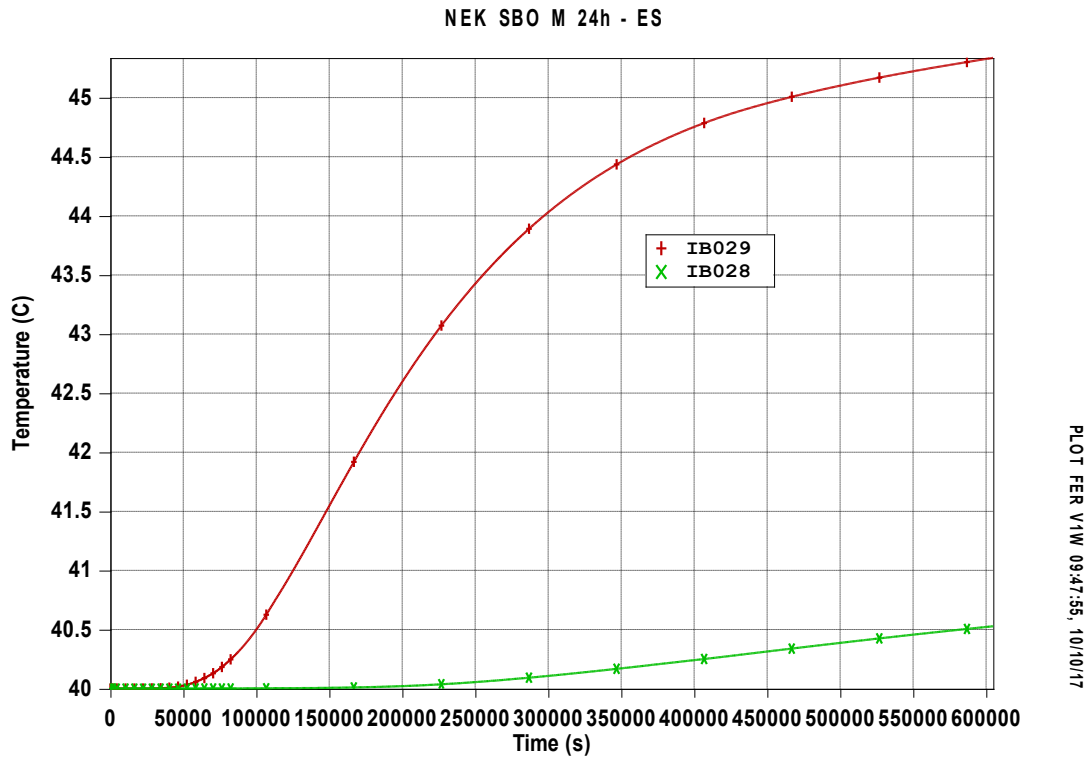


Slika 4-32 MicroShield model glavnog parovoda za računanje *shine* doza pri SGTR

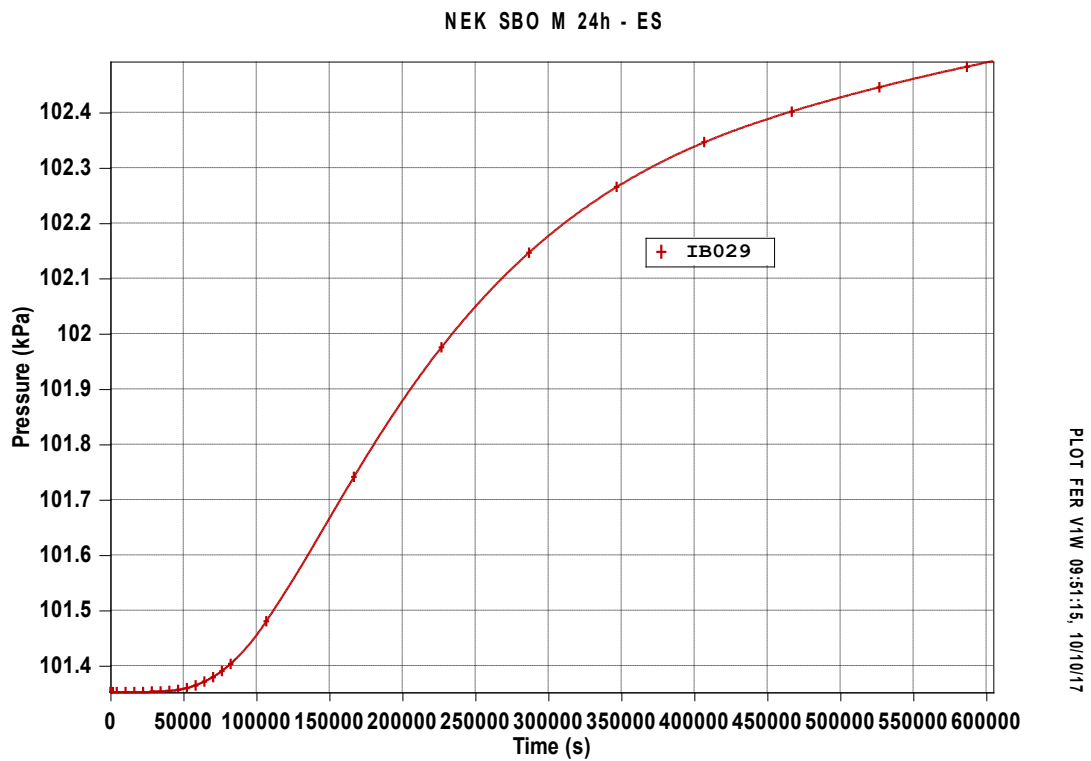
4.3.2. Rezultati i analiza rezultata za međuzgradu

Slika 4-33 prikazuje temperaturu u IB029 sobi te se može vidjeti da je temperaturi porast mali (oko 5 °C). Na slici je također prikazan i porast temperature u IB028 sobi koja nije u direktnom dodiru s reaktorskom zgradom pa je i porast temperature očekivano niži (oko 0,5 °C). Slika 4-34 prikazuje tlak u IB029 sobi.

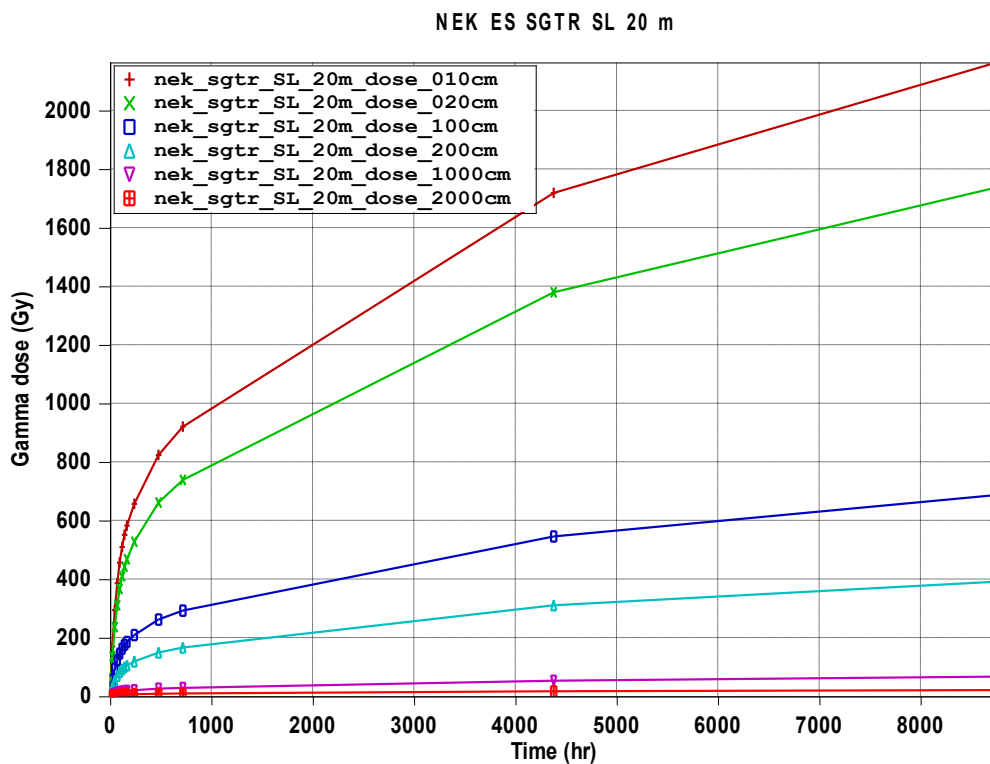
Dodatni MicroShield rezultati proračuna doza za glavni parovod su prikazani na Slika 4-35 i Slika 4-36. Slika 4-35 prikazuje ukupne gama *shine* doze za 20 m dugačak glavni parovod na udaljenosti 10, 20, 100, 200, 1000 i 2000 cm od glavnog parovoda. Vidi se da su doze najveće na najmanjoj udaljenosti od glavnog parovoda i da su te razlike neznatne na udaljenostima većim od 1000 cm od glavnog parovoda. Slika 4-36 prikazuje doze na udaljenosti 2000 cm od glavnog parovoda za različite duljine glavnog parovoda iz čega se vidi da su gama *shine* doze veće za duže cijevi glavnog parovoda.



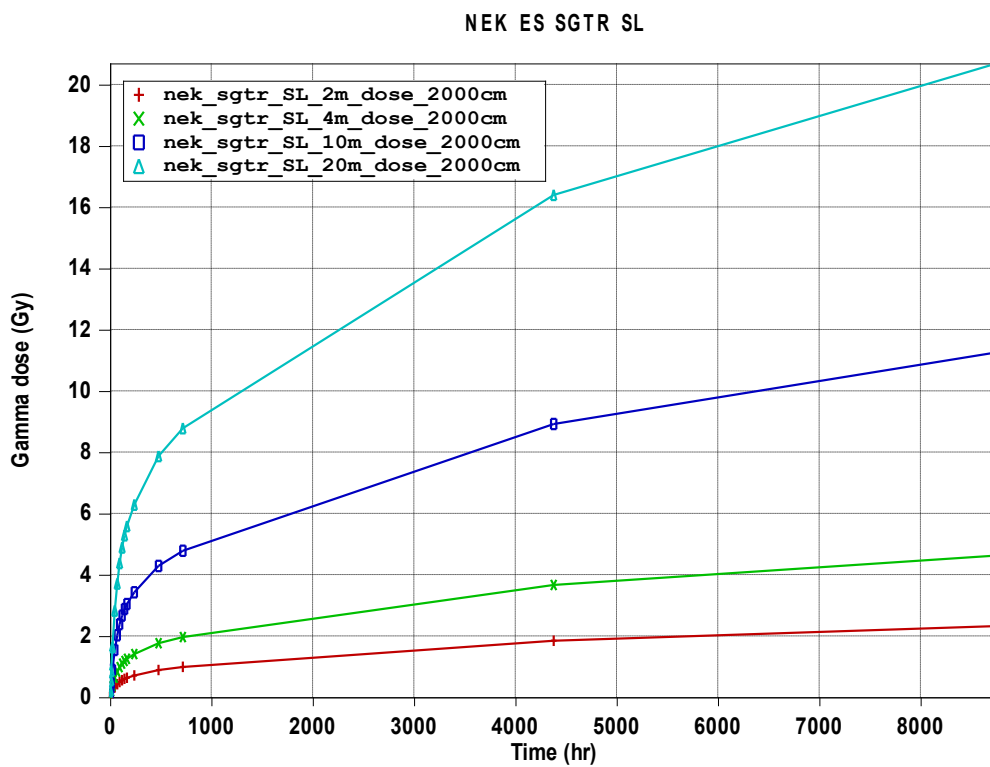
Slika 4-33 ES NEK temperatura u sobi IB029 u usporedbi s temperaturom u IB028 sobi



Slika 4-34 ES NEK IB029 tlak



Slika 4-35 ES NEK *shine* doze na različitim udaljenostima od glavnog parovoda za glavni parovod duljine 20 m - MicroShield



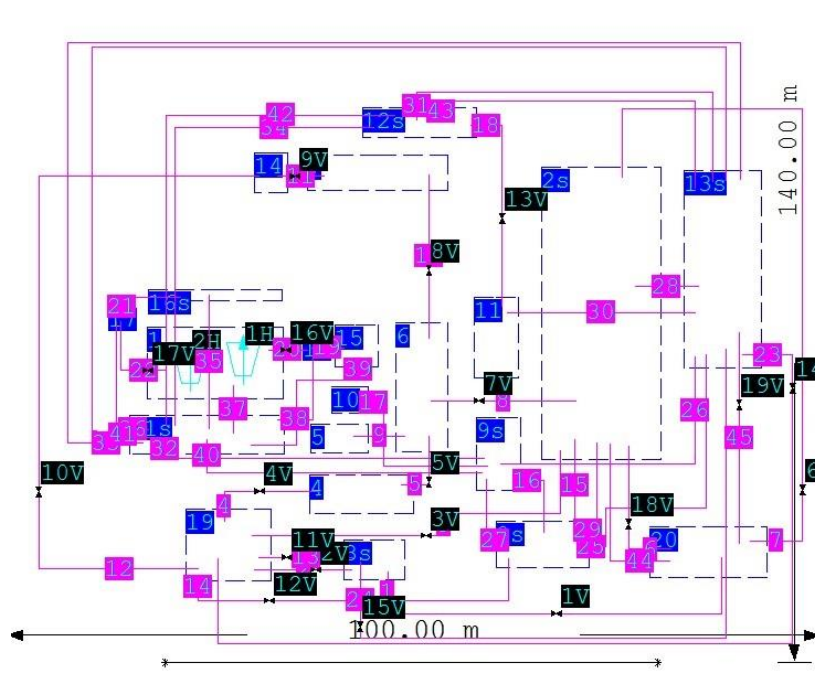
Slika 4-36 ES NEK *shine* doze na udaljenosti 2000 cm od glavnog parovoda za različite duljine glavnog parovoda - MicroShield

4.4. Primjena metodologije proračuna okolišnih uvjeta na zgradu za istrošeno gorivo

4.4.1. Opis modela i proračuna za zgradu za istrošeno gorivo

Za proračun termohidrauličkih uvjeta u zgradi za istrošeno gorivo promatran je scenarij gubitka hlađenja, odnosno rashladnog sredstva u bazenu za istrošeno gorivo. Pri tome je modelirano konstantno toplinsko opterećenje istrošenog goriva od 6,28 MW što je *decay* snaga cjelokupnog goriva tijekom NEK remonta u trenutku kada cijela nuklearna jezgra ispražnjena. Nakon što voda dođe do vrha aktivnog goriva, postoje dvije mogućnosti. Prva mogućnost je aktiviranje sustava sprejeva u zgradi za istrošeno gorivo kako bi se stabilizirala razina vode u bazenu za istrošeno gorivo i temperature u zgradi za istrošeno gorivo. Druga mogućnost je da se ne dodaje voda u bazen za istrošeno gorivo što posljedično dovodi do snižavanja nivoa vode u bazenu za istrošeno gorivo, porasta temperature goriva i temperature u zgradi za istrošeno gorivo, nastajanje vodika i oslobađanje radioaktivnog materijala u zgradi za istrošeno gorivo. U ovoj disertaciji se promatra prva mogućnost. Tlak u zgradi za istrošeno gorivo se snižava pomoću panela (engl. depressurization panel), koji su dio aktivnosti programa nadogradnje sigurnosti u NEK-u i roll-on vrata, koja osiguravaju odvođenje topline iz zgrade za istrošeno gorivo.

Za izračun termohidrauličkih uvjeta je korišten GOTHIC program. Slika 4-37 prikazuje GOTHIC model zgrade za istrošeno gorivo u nuklearnoj elektrani Krško. Slika 4-38 prikazuje ulazne parametre za kontrolne volumene potrebne za GOTHIC program.



Slika 4-37 NEK GOTHIC model zgrade za istrošeno gorivo – kontrolni volumeni i spojnice

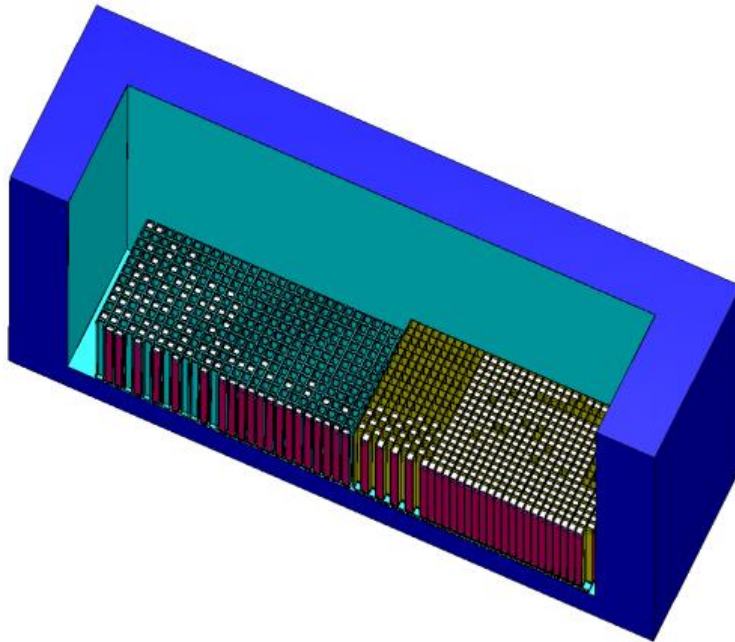
Control Volume Parameters						
Vol #	Description	Vol (m3)	Elev (m)	Ht (m)	Hyd. D. (m)	L/V IA (m2)
1	SFP	1661.825	102.88	12.67	10.72	DEFAULT
2s	FHB02	6849.95	100.3	32.98	11.96	DEFAULT
3s	FHB03	381.13	100.3	18.35	3.6	DEFAULT
4	FHB04	449.7	100.3	6.72	7.91	DEFAULT
5	FHB05	125.9	100.3	6.72	4.22	DEFAULT
6	FHB06	379.54	100.3	6.72	6.4	DEFAULT
7	FHB07	150.62	100.3	6.72	4.2	DEFAULT
8s	FHB08	1715.88	107.62	25.66	8.27	DEFAULT
9s	FHB09	2357.72	107.62	25.66	10.4	DEFAULT
10	FHB10	150.05	107.62	7.33	4.26	DEFAULT
11	FHB11	298.8	107.62	7.93	5.93	DEFAULT
12s	FHB12	782.12	107.62	25.66	5.	DEFAULT
13s	FHB13	5423.25	115.55	17.73	17.5	DEFAULT
14	FHB07A	57.55	100.3	6.72	3.16	DEFAULT
15	CLA	223.	101.38	14.17	3.95	DEFAULT
16s	TC	367.77	104.89	10.66	2.31	DEFAULT
17	P1	12.797	107.78	7.77	1.2	DEFAULT
18	P2	12.797	107.78	7.77	1.2	DEFAULT
19	AB	20000.	100.3	30.	10.	DEFAULT
20	ENV	1e+015	100.3	30.	100.	DEFAULT
21s	Above SFP	7102.28	115.55	17.73	23.77	DEFAULT

Slika 4-38 NEK GOTHIC model zgrade za istrošeno gorivo - podaci za kontrolne volumene

Bazen za istrošeno gorivo je dizajniran u skladu s RG 1.13 [61] kako bi se spriječio gubitak vode iz bazena, zaštitilo gorivo od mehaničkih oštećenja, ograničilo oslobađanje radioaktivnog materijala u slučaju nesreće i osiguralo adekvatno hlađenje istrošenog goriva. Bazen za istrošeno gorivo je dubok 12 m, a rubovi su izrađeni od 1,83 cm debelog betonskog zida obloženog pločama od nehrđajućeg čelika debljine 0,6 cm. Nominalna temperatura hladioca u bazenu za istrošeno gorivo je 80 °C. Normalna razina vode je do elevacije 115,55 m što odgovara nultom nivou pokazivača razine vode. Na toj istoj elevaciji se nalazi sustav sprejeva u zgradi za istrošeno gorivo.

MAVRIC model rasporeda gorivnih elemenata u bazenu za istrošeno gorivo nuklearne elektrane Krško je prikazan na Slika 4-39. Nakon pregrupiranje istrošenog goriva u bazenu za istrošeno gorivo 2003. godine, postoji podjela na lijevi dio bazena i desni dio bazena za istrošeno gorivo. Lijevi dio bazena za istrošeno gorivo je prikazan zelenom bojom na Slika 4-39 i predstavlja stari dio bazena za istrošeno gorivo u kojem je smješteno novije istrošeno gorivo. Desni dio bazena za istrošeno gorivo je prikazan žutom bojom na Slika 4-39 i predstavlja novi

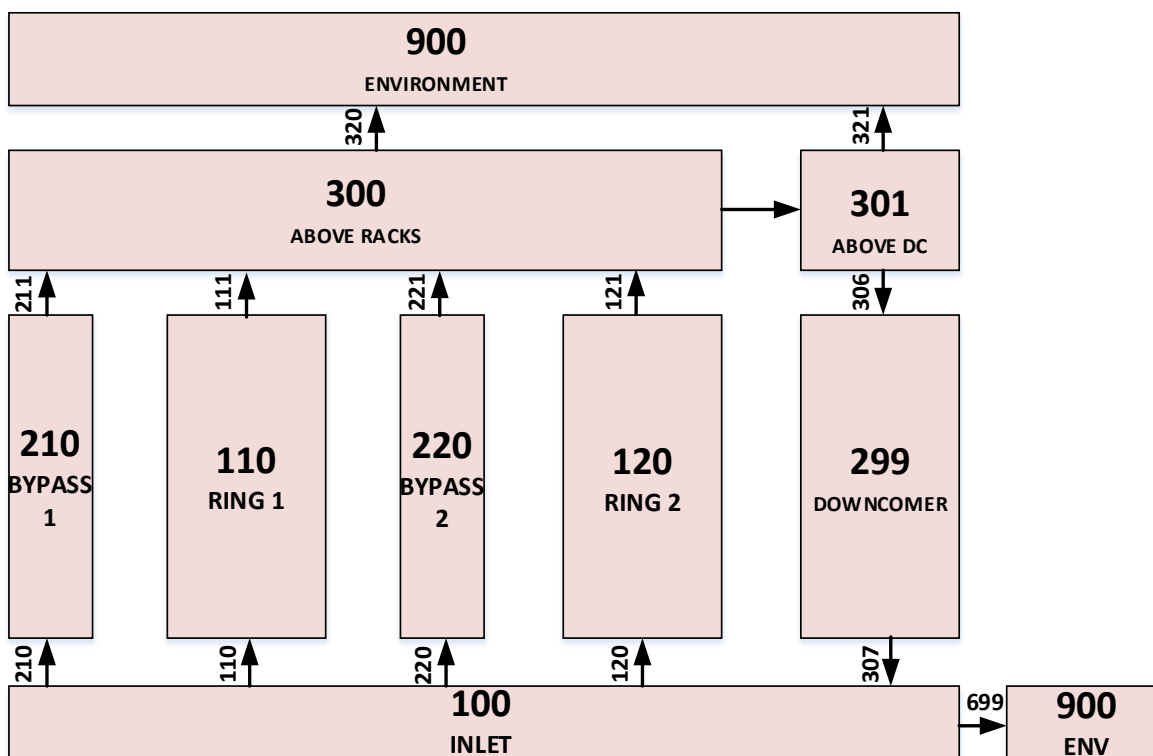
dio bazena za istrošeno gorivo u kojem je smješteno starije istrošeno gorivo. Materijal starog dijela bazena za istrošeno gorivo je nehrđajući čelik, a materijal novog dijela bazena za istrošeno gorivo je borirani nehrđajući čelik velike gustoće. Ukupan kapacitet bazena je 1694 ćelije od čega se 621 ćelija nalazi u starom dijelu bazena, a 1073 ćelija u novom dijelu bazena za istrošeno gorivo.



Slika 4-39 NEK MAVRIC model bazena za istrošeno gorivo sa starim i novim dijelom bazena

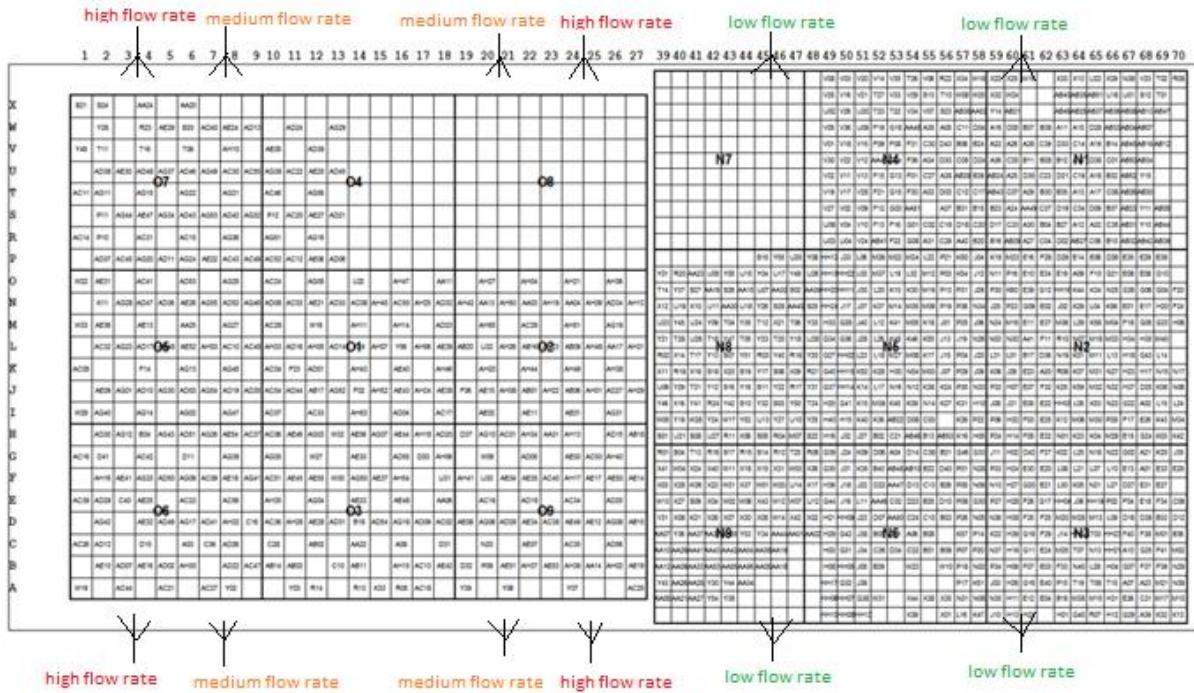
Slika 4-40 prikazuje MELCOR model bazena za istrošeno gorivo. Vanjski prostor je modeliran kao vremenski neovisni volumen ENVIRONMENT. Topla voda u svojoj prirodnoj cirkulaciji izlazi iz ćelija, ulazi u ABOVE RACKS volumen, radijalno se širi prema rubu bazena te ulazi u volumen ABOVE DC. Nadalje, voda se spušta prema volumenu DOWNCOMER, prolazi kroz INLET na dnu te ponovo ulazi u istrošeno gorivo. Prostor aktivnog dijela goriva je podijeljen na dva RING i dva BYPASS. Volumen ABOVE RACKS je prostor iznad ćelija za istrošeno gorivo ispunjen vodom, odnosno prostro ispunjen vodom iznad aktivne visine goriva. ABOVE DC je volumen iznad elevacije ćelija za istrošeno gorivo uz rub bazena za istrošeno gorivo. DOWNCOMER je volumen između ćelija za istrošeno gorivo i zidova bazena za istrošeno gorivo. INLET je volumen vode ispod ćelija za istrošeno gorivo. RING 1 predstavlja volumen u kojem se nalazi gorivo veće snage odnosno novije istrošeno gorivo u starom dijelu bazena za istrošeno gorivo. BYPASS 1 predstavlja *bypass* u starom dijelu bazena za istrošeno gorivo odnosno prazne ćelije u starom dijelu bazena za istrošeno gorivo. RING 2

predstavlja volumen u kojemu se nalazi staro istrošeno gorivo, ujednačene snage, u novom dijelu bazena za istrošeno gorivo. BYPASS 2 predstavlja *bypass* u novom dijelu bazena za istrošeno gorivo odnosno prazne ćelije u novom dijelu bazena za istrošeno gorivo.



Slika 4-40 NEK MELCOR model bazena za istrošeno gorivo

Slika 4-41 prikazuje sustav sprejeva u zgradi za istrošeno gorivo koji je instaliran kao dio program nadogradnje sigurnosti u nuklearnoj elektrani Krško. Sustav sprejeva u zgradi za istrošeno gorivo se sastoji od nisko-protočnih (3 m³/h), srednje-protočnih (25,4 m³/h) i visoko-protočne (59,2 m³/h) mlaznica koje su instalirane iznad starog i novog dijela bazena za istrošeno gorivo. Očigledno je su srednje-protočne i visoko-protočne mlaznice predviđene za stari dio bazena za istrošeno gorivo u kojemu se nalazi novije istrošeno gorivo i cijela nuklearna jezgra za vrijeme remonta. Nisko-protočne mlaznice su predviđene za novi dio bazena za istrošeno gorivo jer se u njemu hladi starije, relativno ohlađeno, istrošeno gorivo.

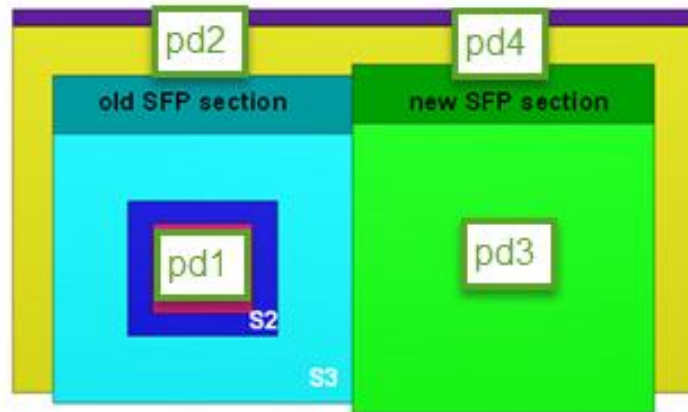


Slika 4-41 NEK sustav sprejeva u zgradi za istrošeno gorivo

Za toplinsku analizu bazena za istrošeno gorivo i kao toplinski input u analizu zgrade za istrošeno gorivo potrebno je izračunati vremensku ovisnost snage ostatne topline. Tipične mogućnosti koje se očekuju od takvog programa mogu se vidjeti na primjeru na FER razvijenog programa SFPFA programa. SFPFA program koristi jednostavne konzervativne modele za procjenu osnovnih podataka vezanih za sigurnost bazena za istrošeno gorivo kao što su snaga i vrijeme za bazen za istrošeno gorivo.

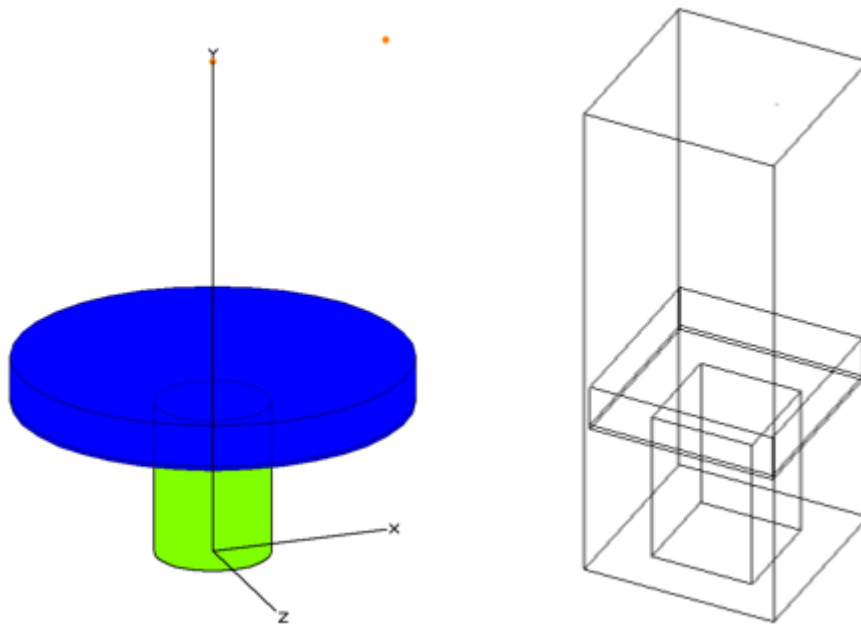
Radiološki proračuni za bazen za istrošeno gorivo provedeni su koristeći SCALE/MAVRIC, ADVANTG/MCNP i MicroShield program. Promatrana je elevacija 115,55 m što odgovara visini od 11,93 m od dna bazena. Promatraju se slučajevi kada se voda nalazi 1 m iznad razine aktivnog dijela goriva i kada se voda nalazi do razine aktivnog dijela goriva, odnosno kada nema vode iznad razne aktivnog dijela goriva.

Slika 4-42 prikazuje mjesta gdje se računaju gama doze u sredini starog i novog dijela bazena za istrošeno gorivo (pd1 i pd3) i na periferiji starog i novog dijela bazena za istrošeno gorivo (pd2 i pd4) gdje se nalaze mjerni instrumenti. Staro dio bazena za istrošeno gorivo ima tri različite sekcije koje sadrže gorivne elemente s različitim vremenom hlađenja: 64 gorivna elementa s 60 dana hlađenja (S1), 80 gorivnih elemenata s jednom godinom hlađenja (S2) i 432 gorivna elementa s pet godina hlađenja (S3). Novi dio bazena za istrošeno gorivo sadrži gorivne elemente s prosječnim vremenom hlađenja od 10 godina.

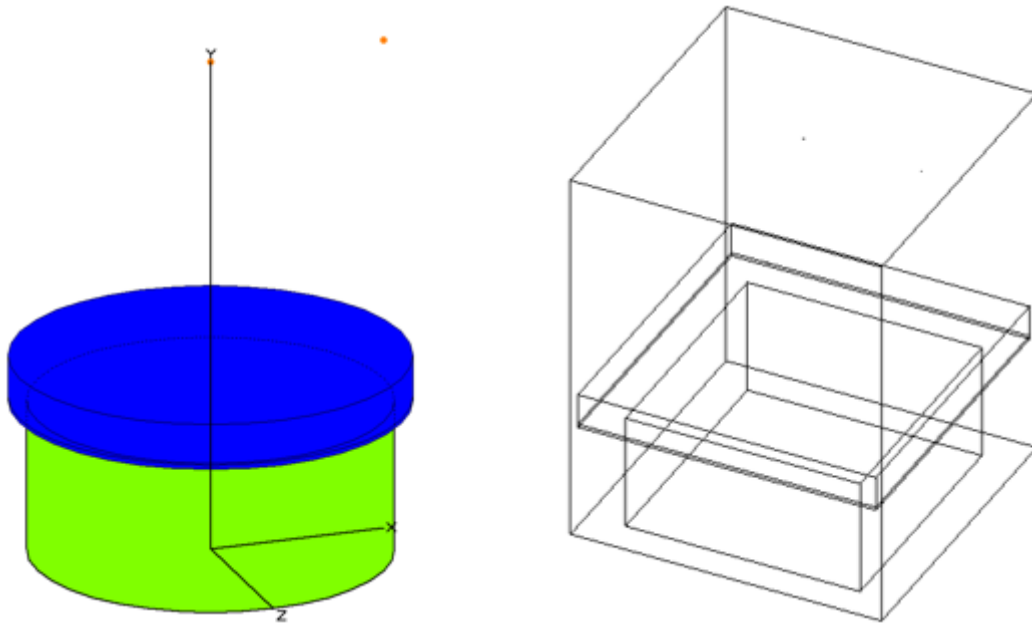


Slika 4-42 Lokacije izračuna gama doza za bazen za istrošeno gorivo

Slika 4-43 prikazuje MicroShield i SCALE model starog dijela bazena za istrošeno gorivo. Slika 4-44 prikazuje MicroShield i SCALE model novog dijela bazena za istrošeno gorivo.



Slika 4-43 NEK MicroShield i SCALE model za stari dio bazena za istrošeno gorivo



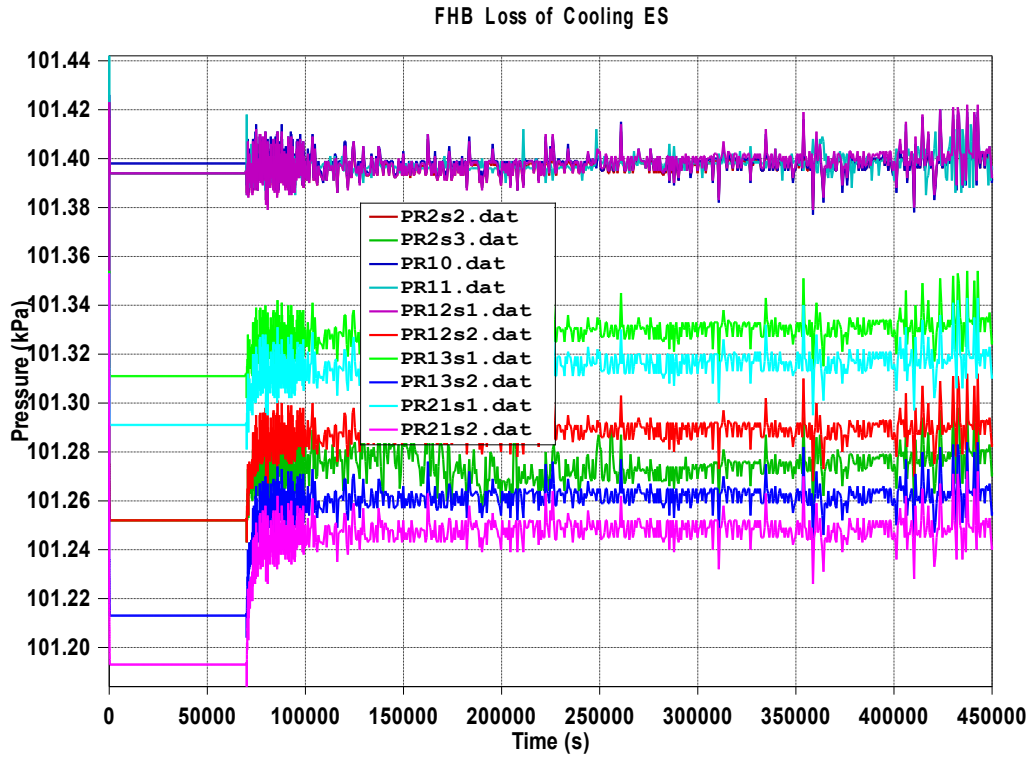
Slika 4-44 NEK MicroShield i SCALE model za novi dio bazena za istrošeno gorivo

4.4.2. Rezultati i analiza rezultata za zgradu za istrošeno gorivo

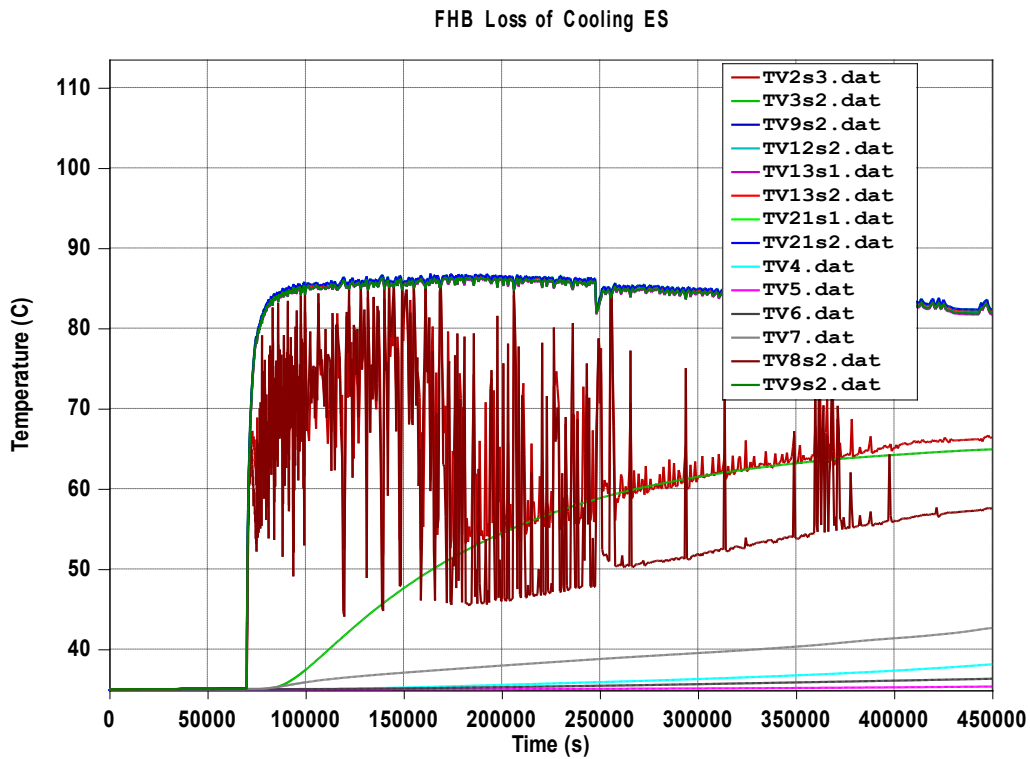
Termohidraulički proračuni GOTHIC programom su prikazani na Slika 4-45 i Slika 4-46. Slika 4-45 prikazuje tlak, a Slika 4-46 temperaturu u različitim sobama u zgradi za istrošeno gorivo nakon početka nesreće. Kao što se vidi na slici, tlakovi u različitim sobama zgrade za istrošeno gorivo su nešto viši od atmosferskog tlaka, a temperature su ispod 90 °C.

Slika 4-47 i Slika 4-48 prikazuju rezultate SFPFA programa, odnosno vrijeme boravka svakog pojedinog gorivnog elemenata u bazenu za istrošeno gorivo i njegovu pripadajuću snagu.

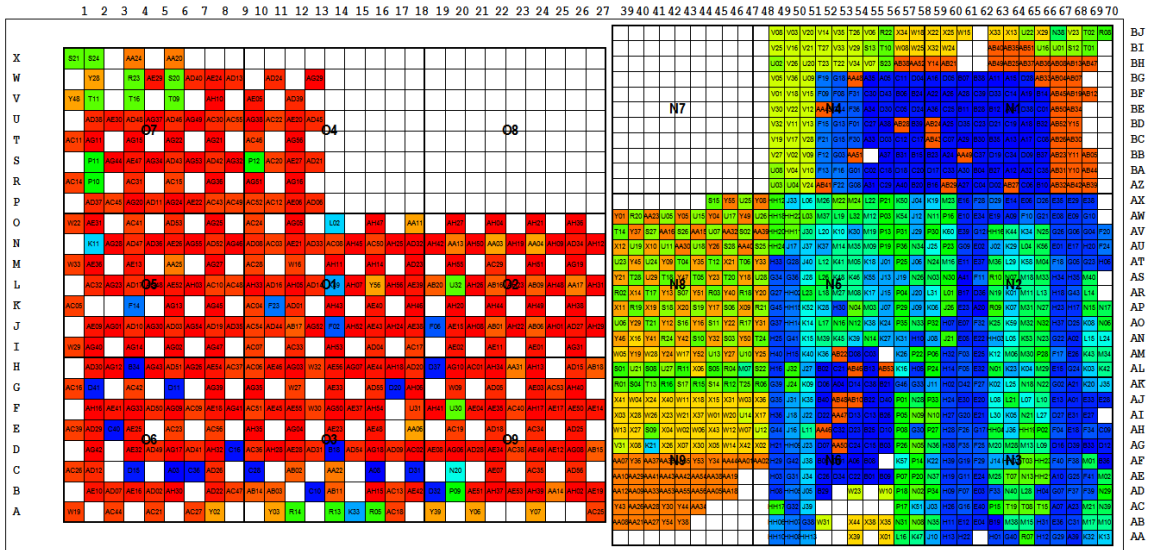
Rezultati radioloških proračuna su prikazani u Tablica 4-1 i Tablica 4-2. Tablica 4-1 prikazuje brzine doza u starom dijelu bazena za istrošeno gorivo, a Tablica 4-2 prikazuje brzine doza u novom dijelu bazena za istrošeno gorivo. Moguće je usporediti različite metode i programe za proračun doza, iz čega se vidi da je razlika u dozama između različitih programa mala. U navedenim tablicama su prikazani rezultati za dva različita scenarija kada je razina vode do vrha aktivnog dijela goriva (što odgovara 0 m vode) i 1 m iznad razine aktivnog dijela goriva (1 m vode).



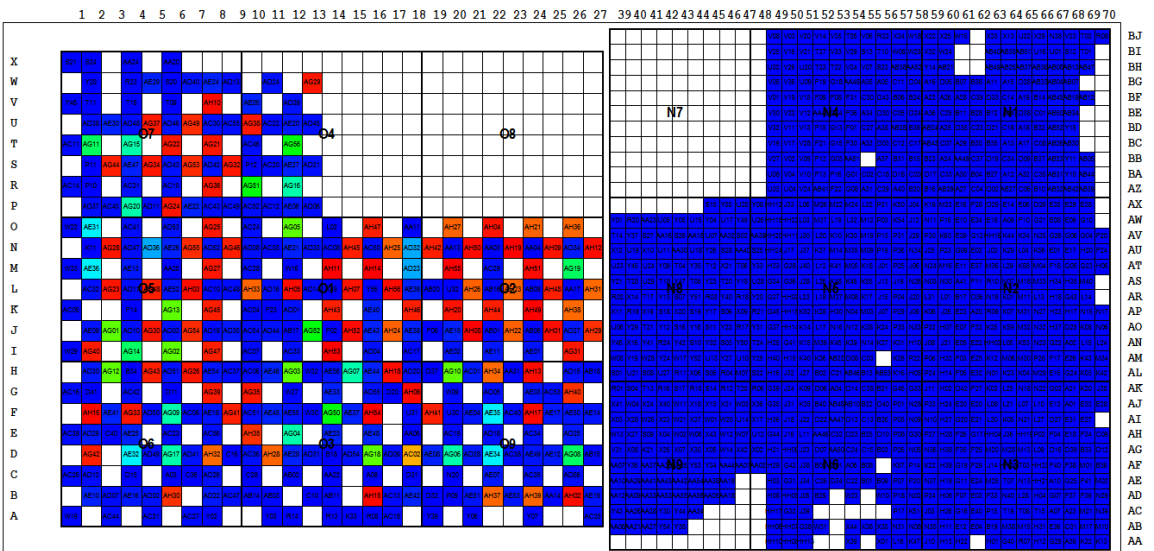
Slika 4-45 ES NEK FHB tlak



Slika 4-46 ES NEK FHB temperature



Slika 4-47 Vrijeme boravka gorivnih elementa u NEK bazenu za istrošeno gorivo



Slika 4-48 Snaga gorivnih elementa u NEK bazenu za istrošeno gorivo

Tablica 4-1 Brzine doza (rem/h) u starom dijelu NEK bazena za istrošeno gorivo

Cilindrična geometrija	ADVANTG/MCNP	SCALE/MAVRIC	MicroShield
	0 m vode	0 m vode	0 m vode
Pd1	$3,1410^3 \pm 0,22\%$	$3,1510^3 \pm 0,08\%$	$3,1110^3$
Pd2	$2,6110^3 \pm 0,18\%$	$2,6310^3 \pm 0,09\%$	$2,7910^3$
	1 m vode	1 m vode	1 m vode
Pd1	$1,5310^1 \pm 0,19\%$	$1,7510^1 \pm 0,15\%$	$1,6610^1$
Pd2	$8,80 \pm 0,19\%$	$1,0210^1 \pm 0,34\%$	8,48

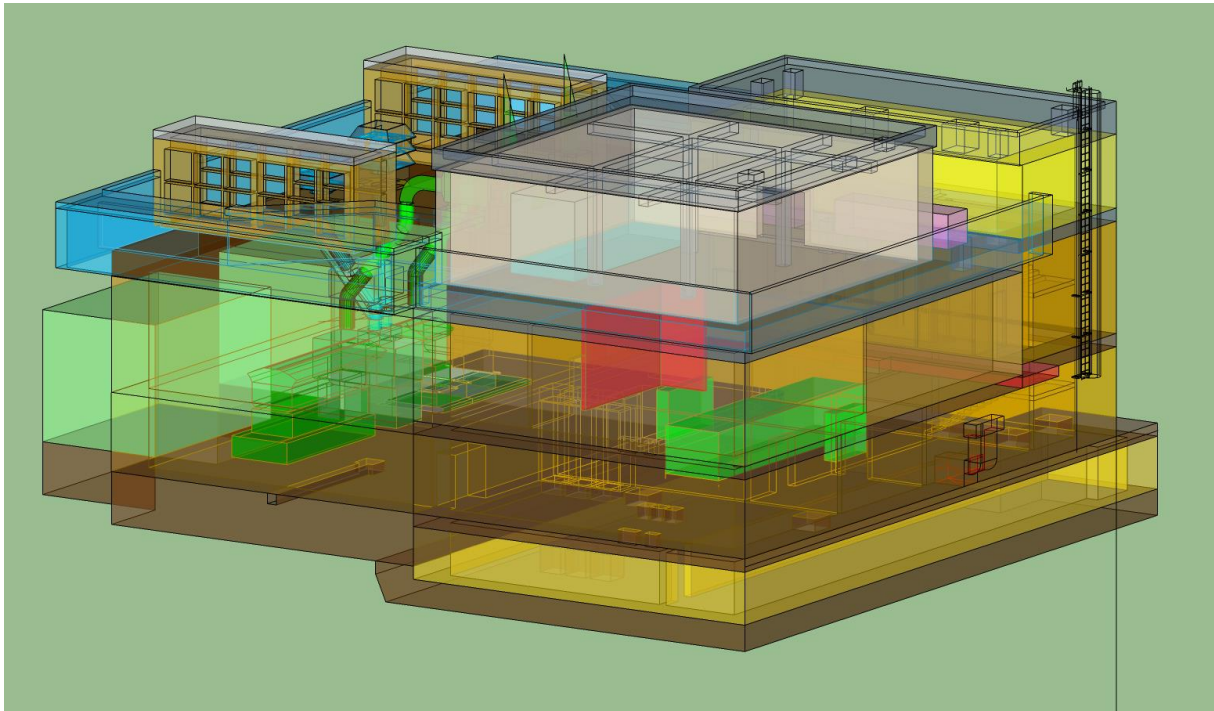
Tablica 4-2 Brzine doza (rem/h) u novom dijelu NEK bazena za istrošeno gorivo

Cilindrična geometrija	ADVANTG/MCNP	SCALE/MAVRIC	MicroShield
	0 m vode	0 m vode	0 m vode
Pd3	$1,1410^3 \pm 0,15\%$	$1,1710^3 \pm 0,08\%$	$1,3910^3$
Pd4	$8,4810^2 \pm 0,19\%$	$8,6810^2 \pm 0,10\%$	$7,8110^2$
	1 m vode	1 m vode	1 m vode
Pd3	$3,22 \pm 0,19\%$	$3,72 \pm 0,24\%$	5,99
Pd4	$2,07 \pm 0,25\%$	$2,38 \pm 0,27\%$	2,56

4.5. Primjena metodologije proračuna okolišnih uvjeta na bunkersku zgradu 1

4.5.1. Opis modela i proračuna za bunkersku zgradu 1

Dio NEK programa nadogradnje sigurnosti je izgradnja bunkerske zgrade 1 u kojoj se nalazi pomoćna kontrolna soba, tehnički potporni centar (engl. Technical Support Center - TSC) i treći dizel generator. Slika 4-49 prikazuje SketchUp model bunkerske zgrade 1 u nuklearnoj elektrani Krško.

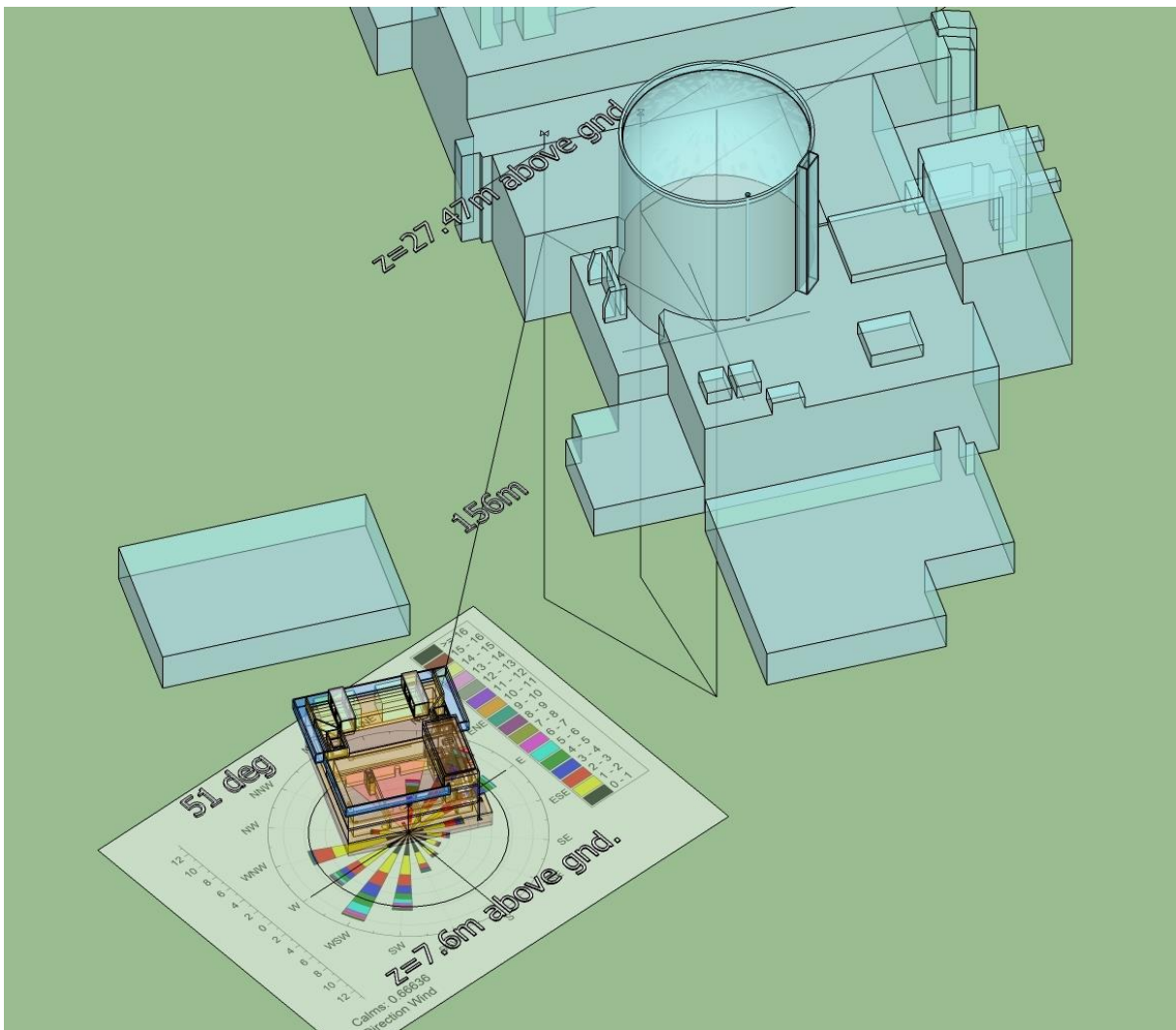


Slika 4-49 SketchUp model NEK bunkerske zgrade 1

Pomoćna kontrolna soba se nalazi na drugom katu bunkerske zgrade 1 iznad novog dizel generatora. Pokraj pomoćne kontrolne sobe se nalazi tehnički potporni centar. Projekt je uključio premještanje i nadogradnju postojećih ploča za daljinsko zaustavljanje (engl. Remote Shutdown Panels - SDP) na novoj upravljačkoj ploči za daljinsko zaustavljanje elektrane (engl. Remote Shutdown Control Bord - RSCB) i izgradnju nove kontrolne ploče za DEC uvjete (engl. Design Extention Conditions Control Board - DECCB). Funkcija RSCB ploče je osigurati potrebne resurse operatorima za postizanje i održavanje sigurnog zaustavljanja nuklearne elektrane nakon evakuacije iz glavne kontrolne sobe. Funkcija DECCB panela je omogućiti rad posebne opreme za sprečavanje i ublažavanje posljedica potencijalnih teških nuklearnih nesreća. Zbog svoje važnosti, pomoćna kontrolna soba mora osigurati boravak osoblja 30 dana nakon pretpostavljene nesreće, te za to vrijeme osoblje ne smije primiti više od 50 mSv prema

10CFR50 Dodatak A, GDC 19. Stoga je bitno osigurati ispravan rad HVAC sustava. To je razlog za izračun radioloških uvjeta u svim prostorijama u bunkerskoj zgradi 1. Promatrana je teška nuklearna nesreća SGTR-a s ispuštom kroz sigurnosne ventile (engl. Safety Valve - SV) i rasteretne ventile (engl. Pressure Operated Relief Valve - PORV).

Prvo su izračunati disperzijski faktori (normalizirane koncentracije χ/Q) pomoću ARCON96 programa koji se koristi za procjenu nastanjenosti kontrolne sobe [62]. Disperzijski faktori se koriste za povezivanje točke ispuštanja i točka unosa (engl. intake) na bunkerskoj zgradi 1 za RADTRAD program. Ulazni podaci za ARCON96 program se sastoje od geometrijskih i meteoroloških podataka. Geometrijski podaci sadrže točno definiran položaj točke oslobađanja (engl. release point) i *intake* točke, što uključuje nadmorsku visinu tih točaka i međusobnu udaljenost. Slika 4-50 prikazuje SketchUp model za proračun χ/Q faktora.



Slika 4-50 SketchUp model za proračun χ/Q

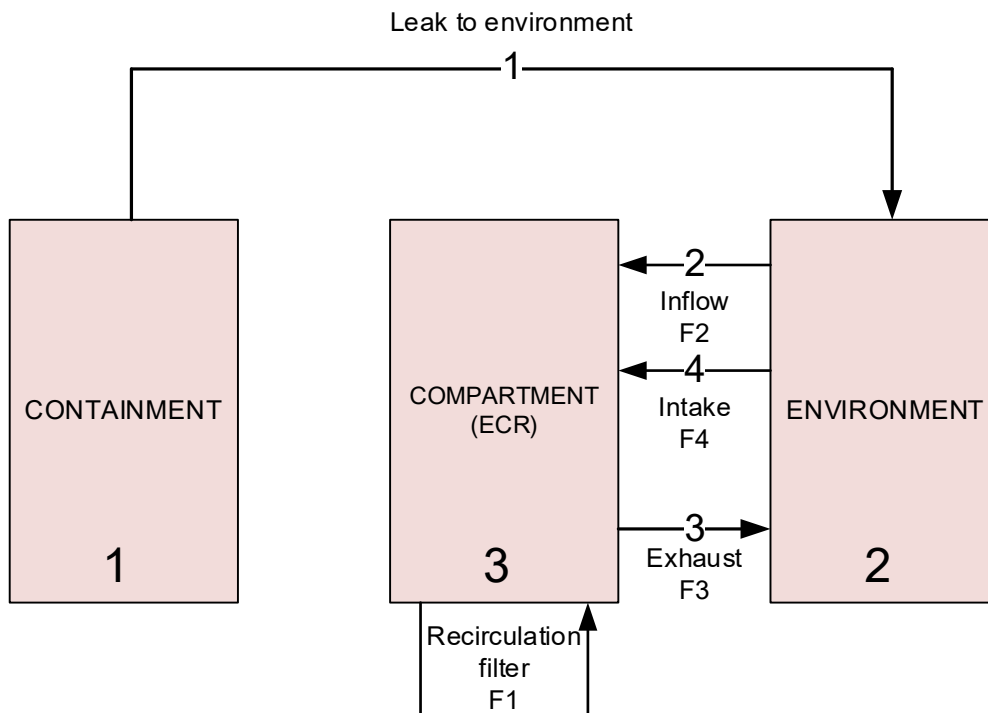
ARCON96 program zahtjeva meteorološke podatke (brzina i smjer vjetra, razred atmosfere stabilnosti), koji su dobiveni iz NEK-a u formi Excel tablice. Datoteka sadrži satne meteorološke podatke definirane za razdoblje od 5 godina između 2009 i 2014. Prema RG-1.194 [63] Poglavlje 3.1, NRC smatra da satni podaci kroz period od 5 godina predstavljaju dugotrajne trendove. Za to razdoblje je dostupno ukupno 51018 podataka s definiranim datumom i vremenom, te podaci o smjeru vjetra (stupnjevi) i brzini vjetra (m/s) za elevacije 10, 40 i 70 m. Od tri dostupne elevacije, koriste se podaci za 10 i 70 metara jer su podaci za 40 metara bili manje pouzdani (manjak podataka i pouzdanosti za pojedine točke).

Za pretpostavljeni scenarij (SGTR), točka oslobađanja je ispušt iz SG PORV/SV na visini 27,47 m iznad zemlje. Pretpostavljena točka unosa u bunkerskoj zgradi 1 je ventilacijski ulaz pomoćne kontrolne sobe na visini 7,6 m. Uzimajući u obzir pravilo srednje visine koje koristi ARCON96, pri čemu je $(10 + 70) / 2 = 40$ m, izračun se uglavnom temelji na podacima uzetim na 10 m nadmorske visine jer se točka ispusta nalazi ispod srednje visine (40 m). Minimalna brzina vjetra je zadana 0,5 m/s, a hrapavost površine je postavljena na preporučenu vrijednost od 0,2 m. U izračunu je korišteno deset standardnih intervala usrednjavanja (1, 2, 4, 8, 12, 24, 96, 168, 360 i 720 sati).

Odabrani scenarij teške nuklearne nesreće, SGTR, je izračunat korištenjem MAAP programa. Pomoću MAAP programa je izračunat volumetrijski protok ispuštanja u okoliš, što je potrebno za RADTRAD proračun, i odgovarajuća brzina curenja po danu u postotcima u odnosu na ukupni slobodni volumen kontejnmenta. Kako bi se pojednostavio proračun, vremenski ovisna brzina protoka dobivena iz MAAP programa je aproksimirana s tri intervala ispuštanja, čije je ukupno ispuštanje jednako ukupnom MAAP ispuštanju. Prva dva sata brzina ispuštanja je 180% volumena po danu, od dva sata do sedam dana je 18% volumena po danu, a nakon sedam dana je 1% volumena po danu. Okolina se modelira aproksimativno, pa se za bilo koju određenu točku treba računati disperzijske faktore (χ/Q faktori) koji povezuju ispušt i usis.

RADTRAD računa *immersion* beta i gama doze unutar bunkerske zgrade 1. *Immersion* doze su dominantne za prostorije bez HVAC ugljenih filtera. RADTRAD model za proračun doza u pomoćnoj kontrolnoj sobi nuklearne elektrane je prikazan na Slika 4-51. Odjeljak 1 prikazuje kontejnment i to je jedini odjeljak u kojem je radioaktivnost izravno oslobođena. U ovom slučaju se odjeljak jedan koristi za oslobađanje radioaktivnosti koja je posljedica SGTR nesreće. Odjeljak 2 je okoliš, a odjeljak 3 se koristi za modeliranje prostorije gdje je potrebno izračunati *immersion* doze (u ovom slučaju, to se odnosi na pomoćnu kontrolnu sobu kao što je prikazano na Slika 4-51). Modelirane su četiri putanje. Putanja 1 je model ispuštanja u okolinu

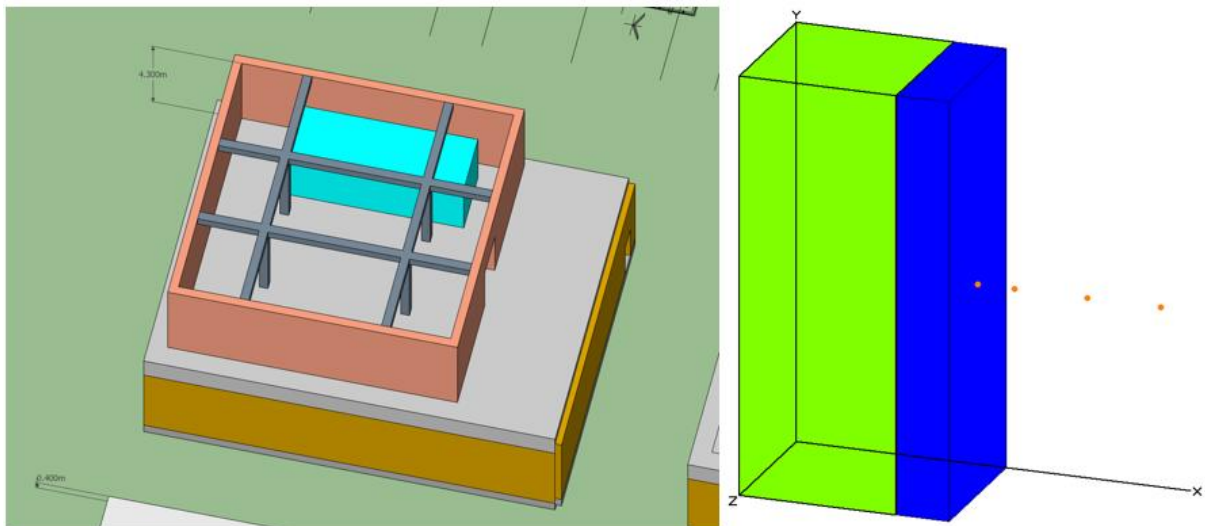
i temelji se na volumetrijskom protoku koji je izračunat pomoću MAAP programa. Putanja 2 opisuje nekontrolirani ulazni protok iz okoline u pomoćnu kontrolnu sobu i iznosi 6% po satu u odnosu na slobodni volumen sobe. Putanja 4 je model HVAC dovoda zraka u sobu, a putanja 3 model odvoda zraka iz sobe. Pretpostavlja se da je u svakom trenutku protok odvedenog zraka jednak zbroju protoka nekontroliranog ulaznog zraka i HVAC dovoda zraka. Aktivnosti povezane s putanjama 2 i 4 su povezane s oslobođenom radioaktivnosti i pripadajućim χ/Q faktorima, koji se računaju za putanje 2 i 4. Jedino filteri na recirkulacijskoj putanji F1 i putanji HVAC dovoda zraka F4 imaju mogućnost filtriranja zraka.



Slika 4-51 RADTRAD model za proračun doza u NEK pomoćnoj kontrolnoj sobi

Kako bi se izračunale *immersion* doze za sobe u bunkerskoj zgradi 1, korišten je RADTRAD model prikazan na Slika 4-51. Za svaku sobu su se promijenile vrijednosti za odjeljak 3. Prvo su se izračunali uvjeti u sobi BB1-001 što odgovara sobi gdje se nalazi dizel generator 3. Za slučaj pomoćne kontrolne sobe su se promatrala četiri različita HVAC scenarija uzimajući u obzir različite brzine recirkulacije. Slučaj koji je rezultirao najvećim dozama je uzet kao konzervativan. Za njega vrijedi da je ulazni protok iz okoline u pomoćnu kontrolnu sobu $99,9 \text{ m}^3/\text{h}$, filtrirani ulazni zrak je prisutan cijelo vrijeme i njegov protok iznosi $600 \text{ m}^3/\text{h}$, HVAC recirkulacijski protok je isto prisutan cijelo vrijeme i njegov protok iznosi $19\,800 \text{ m}^3/\text{h}$, te oba filtera imaju efikasnosti od 99,97 % za aerosole i 95% za elementarni i organski jod.

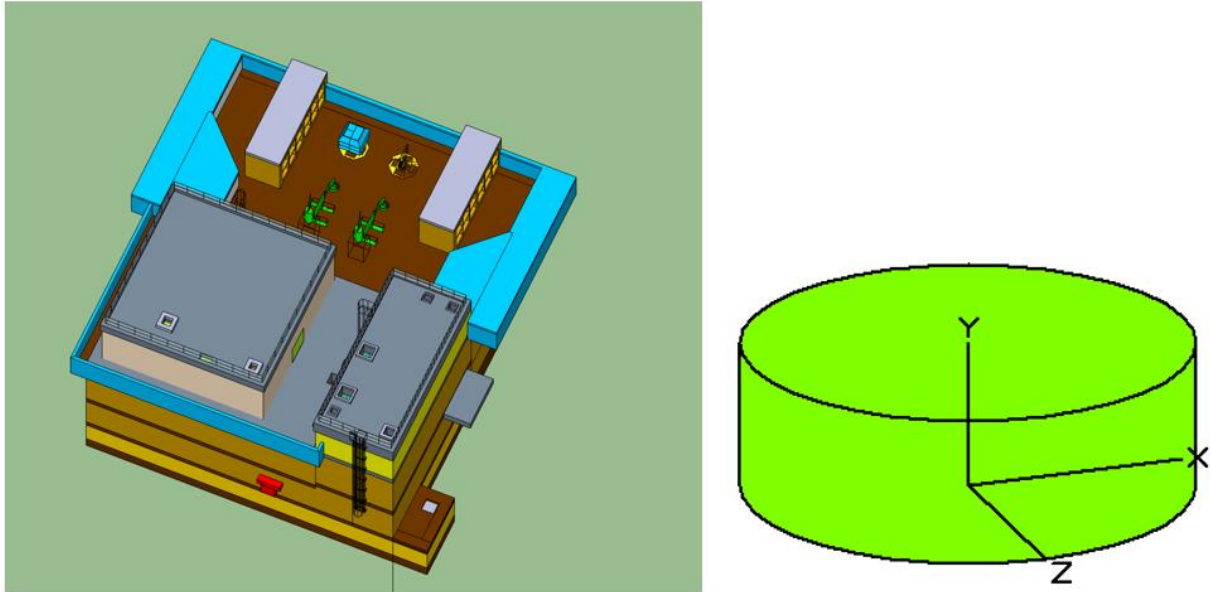
Za pomoćnu kontrolnu sobu je potrebno izračunati *shine* doze iz okoline, od susjednih soba bez filtracije zraka i od koncentriranog izvora u HVAC filterima. *Shine* doze iz okolne atmosfere kroz zidove, te doze oko HVAC filtera se računaju pomoću MicroShield programa, pri čemu se koristi primarni radioaktivni sadržaj jezgre (source term) izračunat pomoću RADTRAD-a. Slika 4-52 prikazuje položaj HVAC filtra, koji se nalaze direktno iznad Tehničkog potpornog centra i pripadajući MicroShield model tog HVAC filtera kako bi se izračunale gama *shine* doze od radioaktivnog materijala akumuliranog u filtru. Sadržaj radioaktivnog materijala je dobiven iz RADTRAD proračuna. Zelena kutija prikazana na Slika 4-52 sadrži radioaktivni izvor homogeno raspoređen u zraku (dimenzije filtera su 3x3x8 m), a plava kutija predstavlja zaštitu (0,5 cm filter zid i 1 m betonskog poda/stropa prema Tehničkom potpornom centru). Doze su izračunate u određenim vremenskim točkama, na srednjem donjem dijelu filtra i na udaljenosti 1 cm, 70 cm, 210 cm i 350 cm od dna stropa tehničkog potpornog centra.



Slika 4-52 Položaj NEK HVAC filtra i pripadajući MicroShield model

Na kraju su izračunate doze na krovu bunkerske zgrade 1 koja je izložena uvjetima SGTR scenarija tijekom 30 dana. Slika 4-53 prikazuje lokaciju krova bunkerske zgrade 1. Doze se računaju na temelju radioaktivnog sadržaja prisutnog u okolišu i izračunatog RADTRAD programom. Gama doze se uobičajeno računaju u središtu hemisfere beskonačnog polumjera. Slika 4-53 desno prikazuje MicroShield model za proračun doza na krovu bunkerske zgrade 1. MicroShield računa *shine* doze od vanjskog oblaka na krovu bunkerske zgrade 1. Modeliran je cilindar koji ima isti volumen kao hemisfera ($R = 500$ m, $H = 333$ m), a doze su se računale u

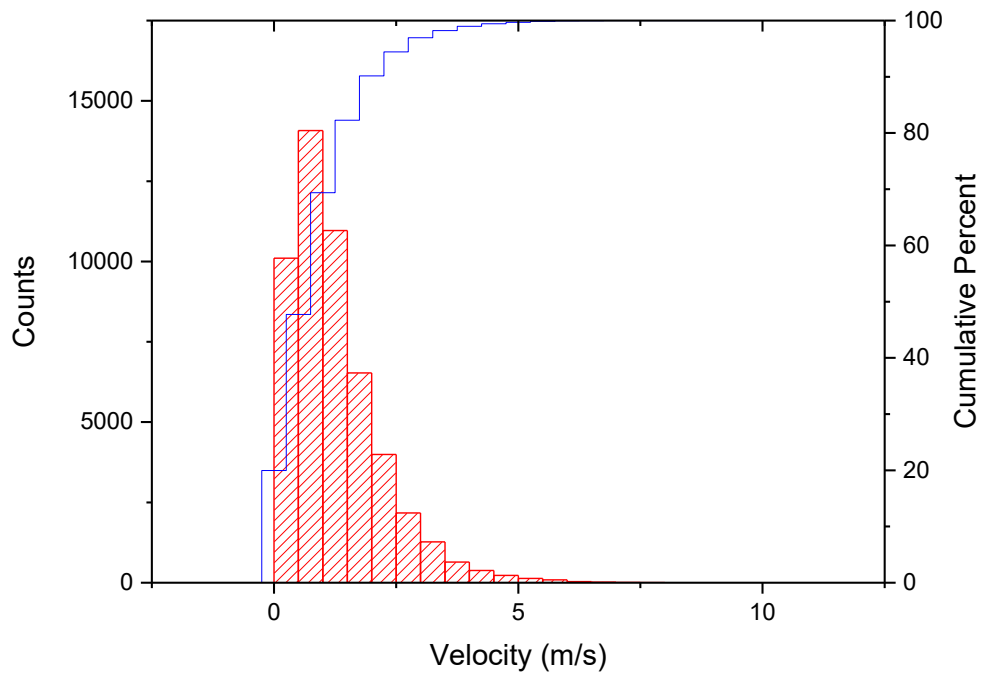
središtu cilindra na visinama od 1, 5 i 10 m (krov se nalazi na visini od 8 metra, pa su tako izabrane visine unutar i izvan bunkerske zgrade 1 na kojima se računaju doze).



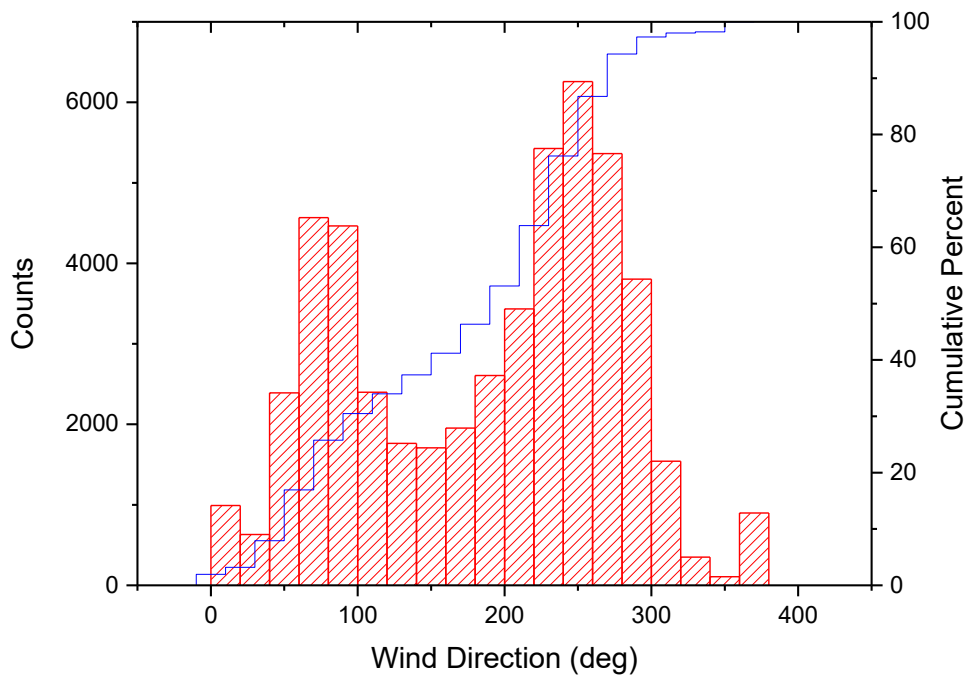
Slika 4-53 NEK BB1 krov i pripadajući MicroShield model za proračun doza

4.5.2. Rezultati i analiza rezultata za bunkersku zgradu 1

Prvo su obrađeni meteorološki podaci. Kao što se očekivalo, veće su brzine vjetra na višoj elevaciji (70 m). Slika 4-54 prikazuje histogram brzine vjetra, a Slika 4-55 histogram smjera vjetra na elevaciji 10 m na lokaciji nuklearne elektrane Krško. Crveni stupci prikazuju broj zabilježenih slučajeva pojedine brzine vjetra (smjera vjetra za Sliku 4-55). Kumulativna frekvencija je prikazana plavom linijom koja prikazuje postotak pojavljivanja vjetra jednake ili manje brzine vjetra (smjera vjetra za Sliku 4-55) od promatrane brzine vjetra (smjera vjetra za Sliku 4-55).

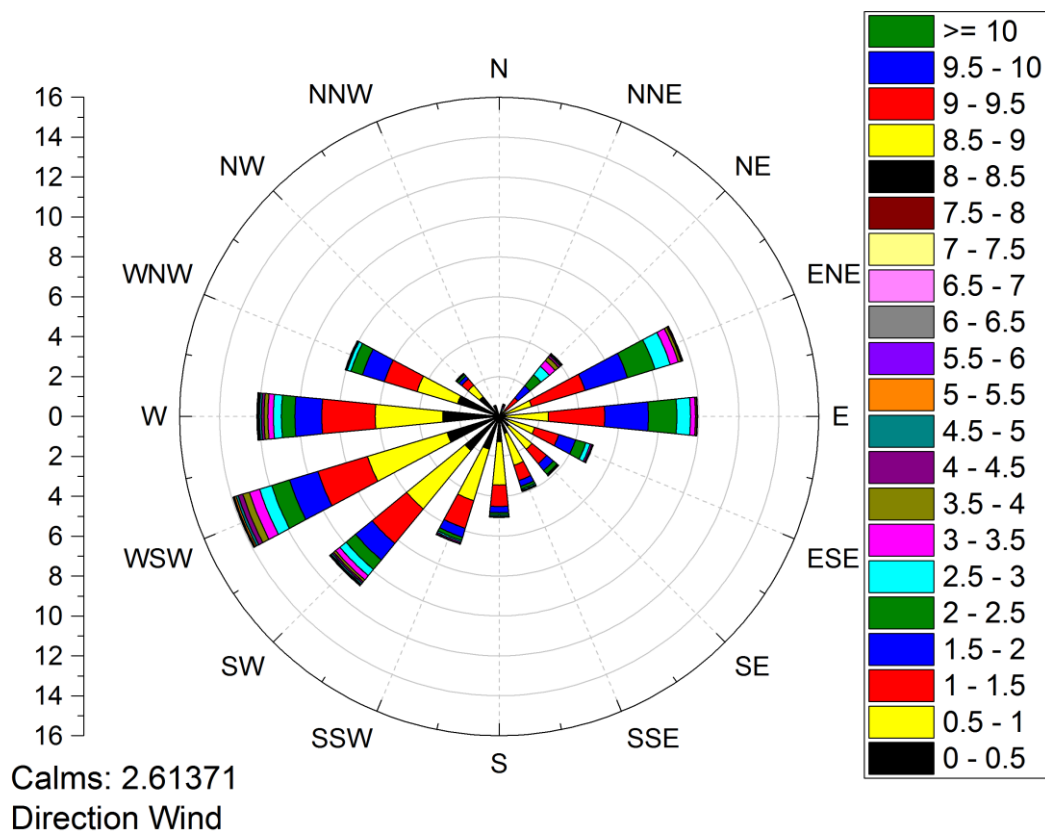


Slika 4-54 Histogram brzine vjeta na elevaciji 10 m – lokacija NEK



Slika 4-55 Histogram smjera vjeta na elevaciji 10 m – lokacija NEK

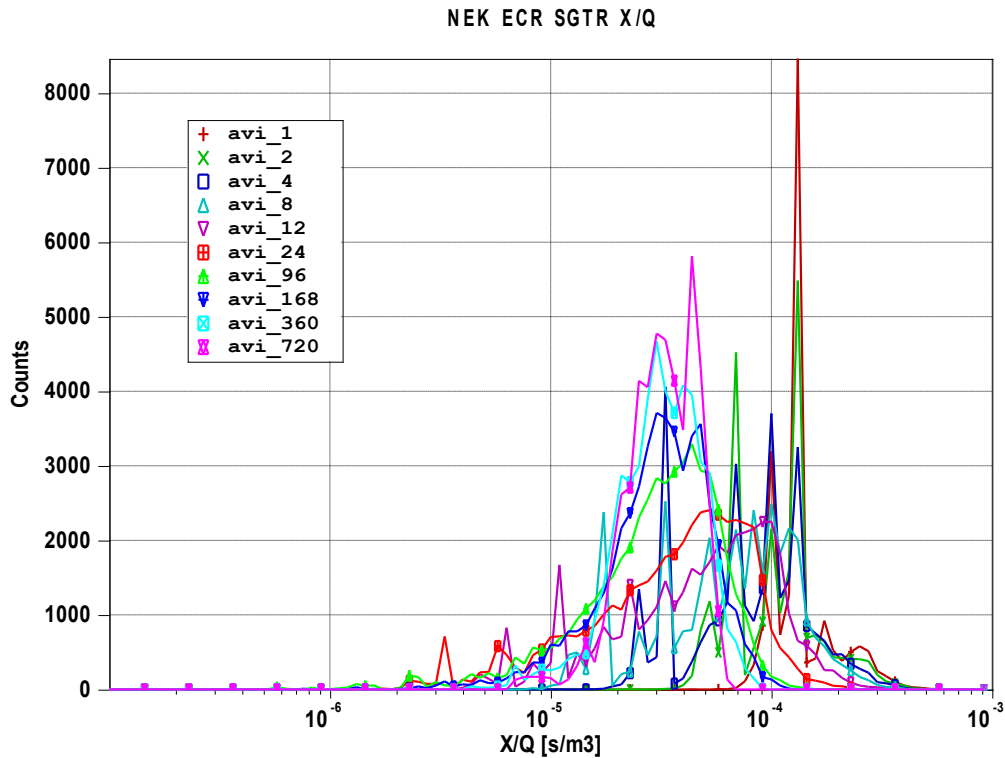
Kako bi se zajedno prikazala informacije o brzini i smjeru vjetra, koristi se vrsta grafa poznata kao ruža vjetra. Slika 4-56 prikazuje ružu vjetra na elevaciji 70 m na lokaciji nuklearne elektrane Krško. Vidljivo je ukupno 16 sektora, pri čemu svaki sektor obuhvaća 22,5 stupnjeva. Na lijevoj strani grafikona je skala koja pokazuje postotak podataka koji imaju smjer vjetra u jednom od 16 sektora. Na desnoj strani grafikona je legenda s bojama koja pokazuje prisutnost brzine vjetra koji puše u svakom sektoru. Ruža vjetra se koristi da se prikaže koliko često vjetar puše iz jednog od 16 smjerova i koje su brzine vjetra kada puše iz točno jednog određenog smjera (postotak vremena koji vjetar ima neku određenu brzinu proporcionalan je duljini obojene trake sektora). Iz prikazane analize meteoroloških podataka je jasno koji su dominantni smjerovi vjetra, te da je za većinu dominantnih smjerova vjetra brzina vjetra prilično mala. Najveće ograničavajuće brzine vjetra za disperziju efluenata iznose između 3-4 m/s i njihova prisutnost je manje vjerojatna u prikazanim ružama vjetrova.



Slika 4-56 Ruža vjetra na elevaciji 10 m – lokacija NEK

Histogrami se prikazuju za izračunate χ/Q vrijednosti na temelju gornjeg i donjeg kraja intervala (10^{-3} i 10^{-7}). Slika 4-57 prikazuje faktore atmosfenske disperzije pomoćne kontrolne sobe za različite intervale usrednjavanja. Kao što je očekivano, χ/Q vrijednosti se smanjuju

povećanjem širine intervala usrednjavanja. Tablica 4-3 prikazuje sumarno 95% vrijednosti faktora atmosfertske disperzije za pomoćnu kontrolnu sobu. χ/Q faktori za ECR/TSC intake su potrebni za putanje 2 i 4 prikazane na Slika 4-51, a χ/Q faktori za ECR/TSC krov su potrebni za *shine* doze na krovu bunkerske zgrade 1.



Slika 4-57 NEK χ/Q vrijednosti pomoćne kontrolne sobe za različite intervale usrednjavanja

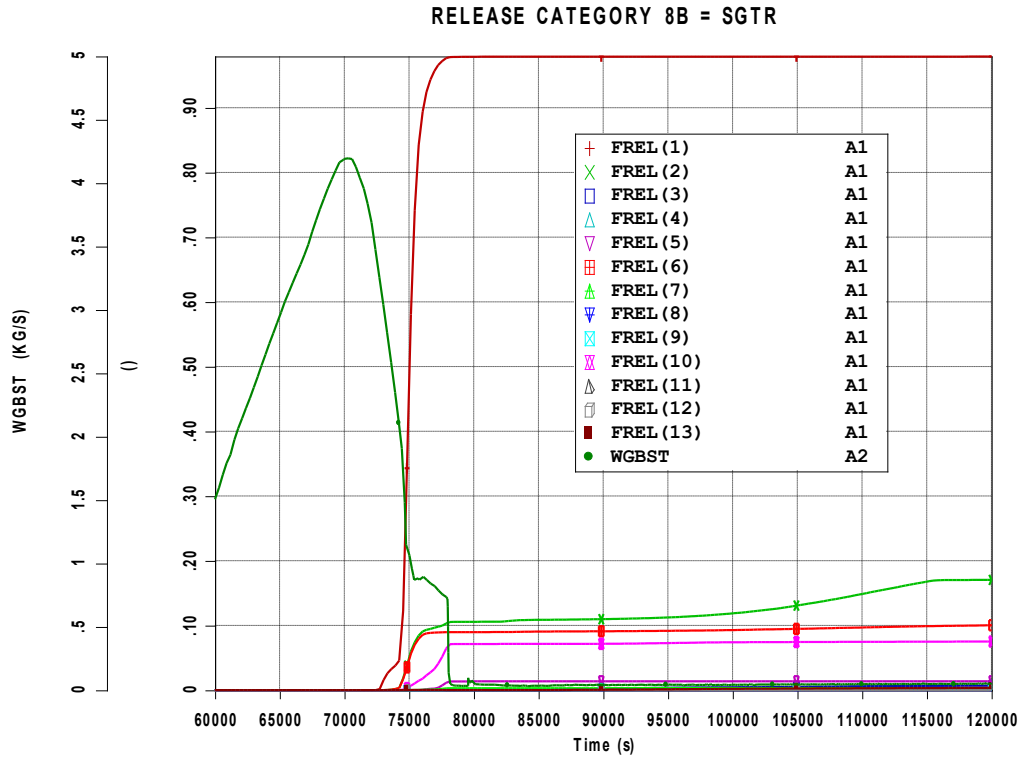
Tablica 4-3 NEK ECR/TSC 95% χ/Q vrijednosti

Vremenski interval	ECR/TSC intake χ/Q (s/m ³)	ECR/TSC roof χ/Q (s/m ³)
0 – 2 h	$2,15 \cdot 10^{-4}$	$3,09 \cdot 10^{-4}$
2 – 8 h	$1,46 \cdot 10^{-4}$	$2,05 \cdot 10^{-4}$
8 – 24 h	$6,91 \cdot 10^{-5}$	$9,90 \cdot 10^{-5}$
1 – 4 dana	$6,71 \cdot 10^{-5}$	$9,05 \cdot 10^{-5}$
4 – 30 dana	$5,18 \cdot 10^{-5}$	$7,18 \cdot 10^{-5}$

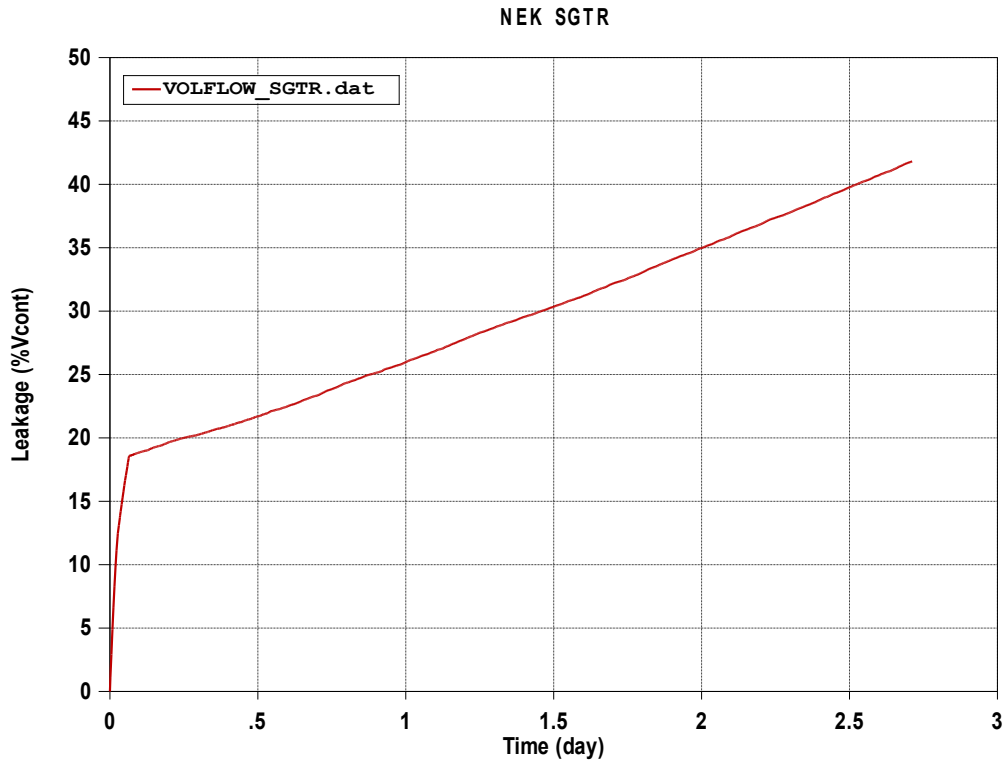
Rezultati SGTR scenarija izračunati MAAP programom su pokazali da je jezgra otkrivena 69529 s nakon početka nesreće, pucanje tople grane je 77959 s nakon početka nesreće, prvo prebacivanje jezgre u donji plenum događa se 79 567 s nakon početka nesreće, te konačno reaktorska posuda puca 84428 s nakon početka nesreće. Prvo ispuštanje u okoliš događa se 72730 s nakon početka nesreće, što se približno vidi na Slika 4-58. Slika 4-58 prikazuje protok pare (u kg/s) kroz parogenerator, koji je relevantan za prijenos radioaktivnosti i frakcije ispusta. Slika 4-59 prikazuje ekvivalentu brzina curenja po danu u postotcima u odnosu na ukupni slobodni volumen kontejnmenta potrebnu za RADTRAD proračun.

Slika 4-60 prikazuje ukupne beta i gama *immersion* doze za sobu u kojoj se nalazi dizel generator, a Slika 4-61 ukupne beta i gama *immersion* doza u pomoćnoj kontrolnoj sobi koristeći RADTRAD program. Rezultati su prikazani za vremenski period od 720 sati, što odgovara 30 dana. Za slučaj pomoćne kontrolne sobe, prikazani su rezultati za konzervativan slučaj koji je rezultirao najvećim dozama.

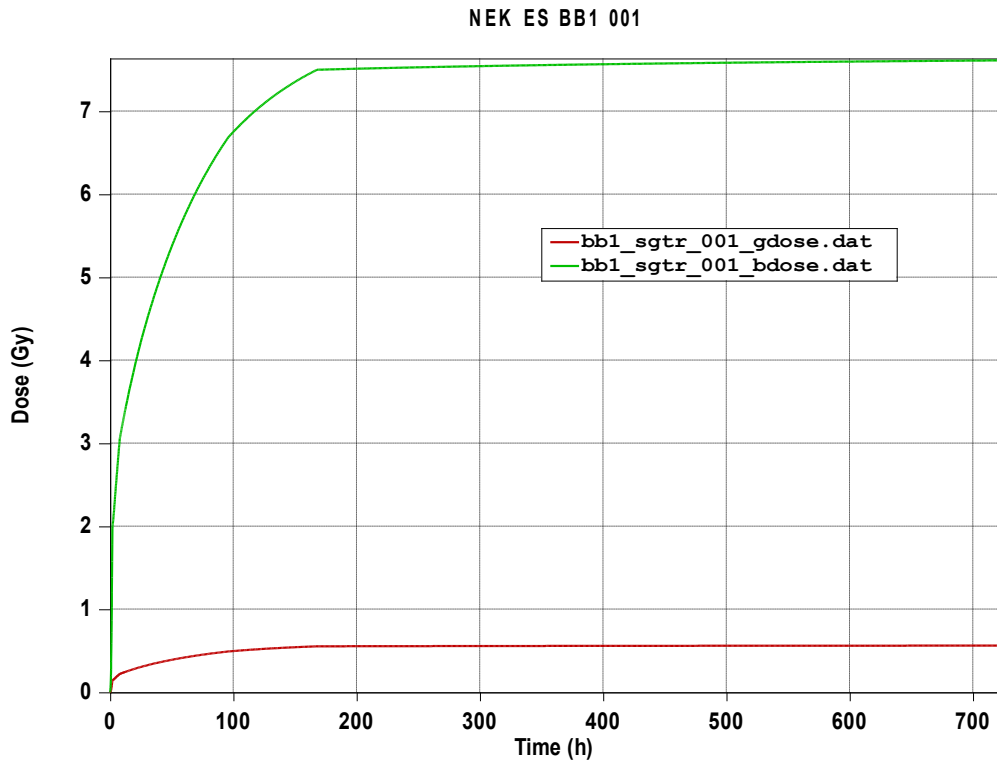
Slika 4-62 prikazuje gama doze u ECR01 sobi, koja predstavlja pomoćnu kontrolnu sobu i gama doze u ECR04 sobi, koja predstavlja tehnički potporni centar od filtera koji se nalaze na vrhu zgrade. Gama doze su ispod 1 mGy. Slika 4-63 prikazuje doze na krovu bunkerske zgrade 1 dobivene RADTRAD i Microshield programima. RADTRAD doze u središtu hemisfere su gotovo iste kao Microshield doze u središtu cilindra.



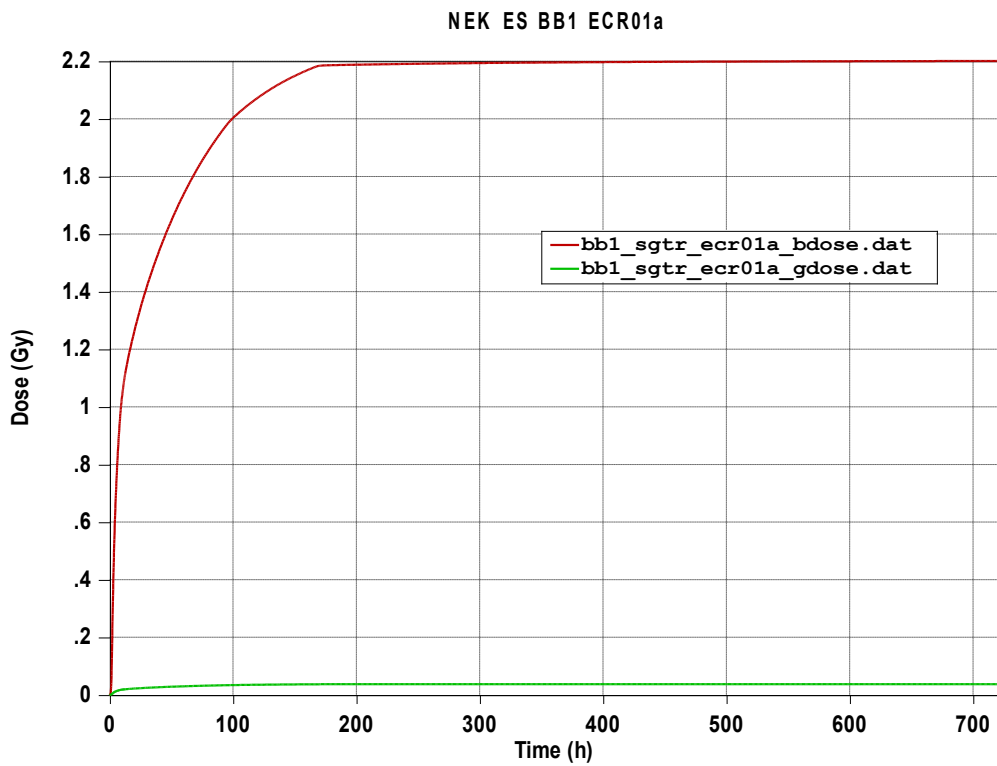
Slika 4-58 ES NEK RB protok pare kroz parogenerator i frakcije ispusta



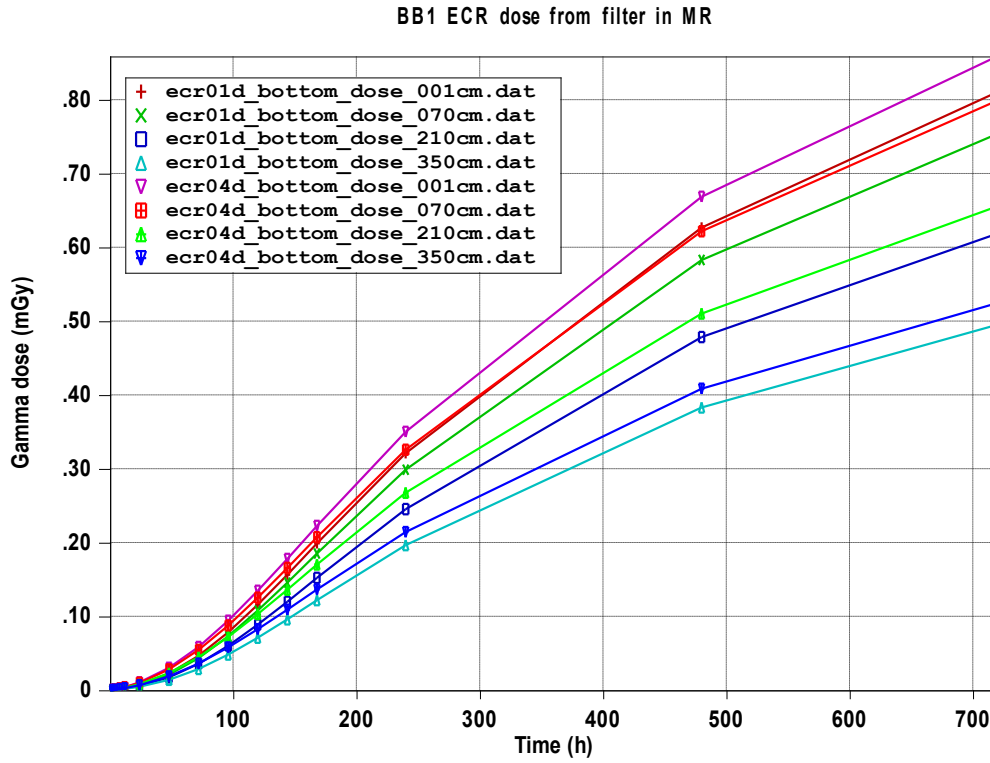
Slika 4-59 Ekvivalentna brzina curenja za RADTRAD proračun



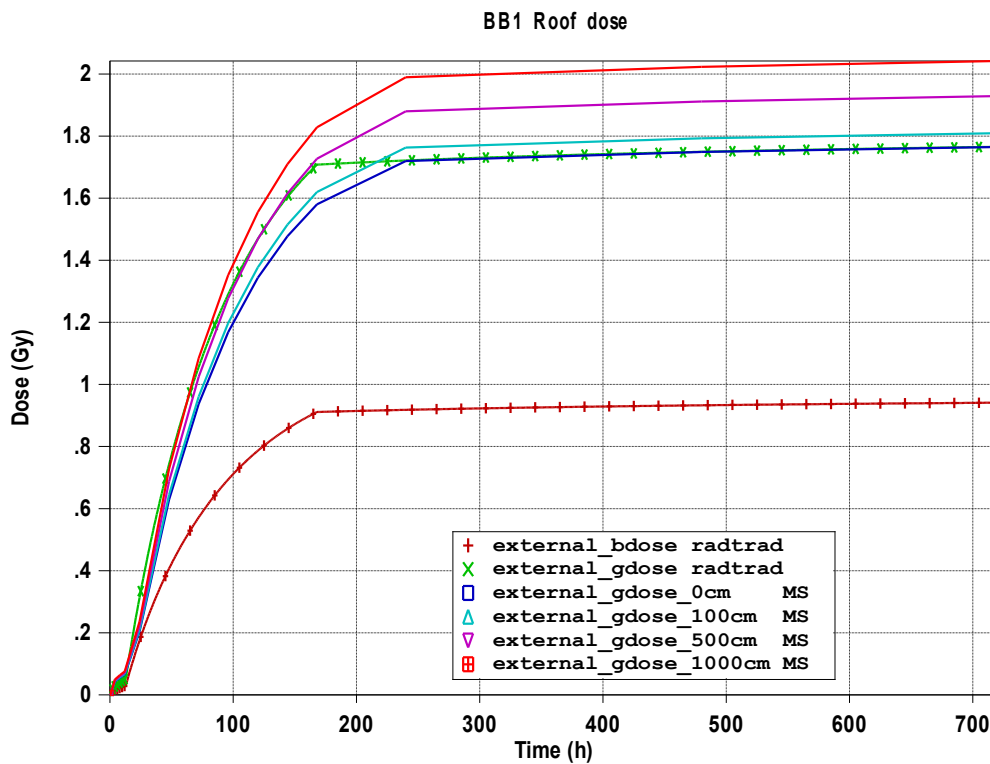
Slika 4-60 ES NEK DG beta i gama *immersion* doze



Slika 4-61 ES NEK ECR beta i gama *immersion* doze



Slika 4-62 Gama doze u NEK ECR od filtera koji se nalaze na vrhu zgrade



Slika 4-63 Doze na krovu NEK BB1 dobivene RADTRAD i Microshield programima

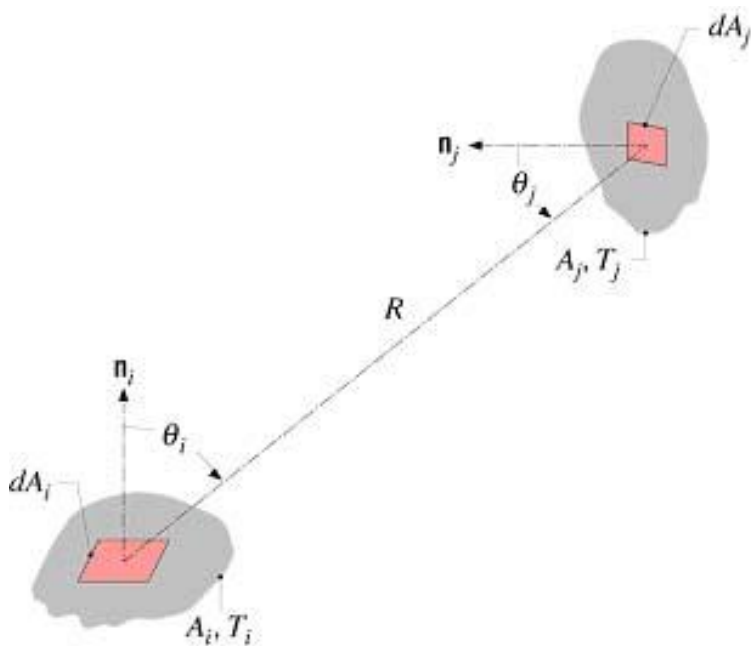
5. MODEL PRIJENOSA TOPLINE IZMEĐU REAKTORSKE ZGRADE I SUSJEDNIH ZGRADA TE OKOLIŠA

5.1. Radijativni prijenos topline

U ovom poglavlju su opisane osnovne pretpostavke i formule za radijativni prijenos topline [64]. Promatrana je zatvorena geometrija (engl. enclosure). Riječ je o dvije ili više površina koje omeđuju dio prostora ispunjenog plinom i među kojima postoji radijativni prijenos topline. Pretpostavimo da su površine izotermalne, nepropusne ($\tau = 0$), difuzne i sive. Šupljina je ispunjena plinom koji ne interagira s radijativnim prijenosom topline.

Vidni faktori F_{ij} , prikazani na Slika 5-1, predstavljaju količinu energije koja se zračenjem emitira s površine i , a dolazi na površinu j , te se računaju prema formuli:

$$F_{ij} = \frac{q_{i \rightarrow j}}{A_i J_i} \quad (5.1)$$



Slika 5-1 Vidni faktori

Formula za toplinski tok između dvije diferencijalne površine i općeniti integralni zapis vidnih faktora glasi:

$$dq_{i \rightarrow j} = I_i \cos \theta_i dA_i d\omega_{j-i} = J_i \frac{\cos \theta_i \cos \theta_j}{\pi R^2} dA_i dA_j \quad (5.2)$$

$$F_{ij} = \frac{1}{A_i} \int_{A_i} \int_{A_j} \frac{\cos \theta_i \cos \theta_j}{\pi R^2} dA_i dA_j \quad (5.3)$$

Recipročno svojstvo vidnih faktora glasi:

$$A_i F_{ij} = A_j F_{ji} \quad (5.4)$$

Svojstvo za zatvorenu površinu glasi:

$$\sum_{j=1}^N F_{ij} = 1 \quad (5.5)$$

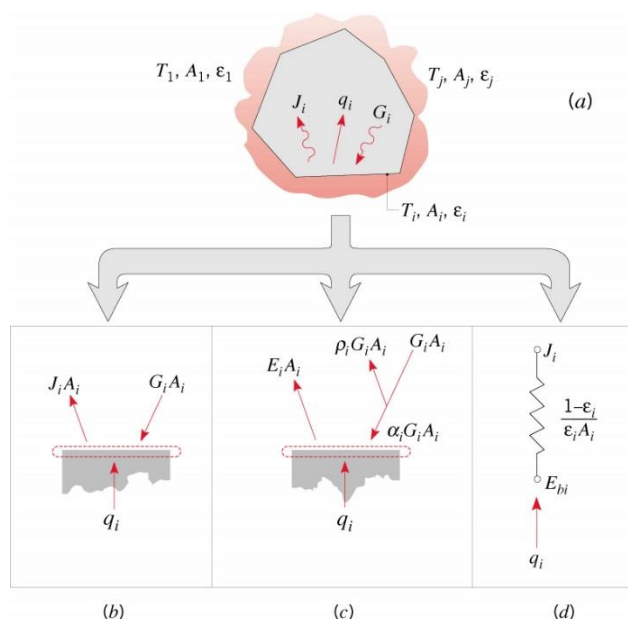
Za crno tijelo vrijedi da je $J_i = E_{bi}$, te se neto radijativna izmjena između dvije površine može aproksimirati crnim tijelima:

$$q_{ij} = A_i F_{ij} \sigma (T_i^4 - T_j^4) \quad (5.6)$$

Neto transfer radijacije s površine i zbog izmjene sa svim (N) površinama zatvorene površine glasi:

$$q_i = \sum_{j=1}^N A_i F_{ij} \sigma (T_i^4 - T_j^4) \quad (5.7)$$

Za zatvorenu površinu vrijedi $\varepsilon_i = \alpha_i = 1 - \rho_i$, a neto prijenos radijacije s površine i [65], koji prikazuje Slika 5-2 i računa se prema formulama koje slijede:



Slika 5-2 Neto prijenos radijacije

$$q_i = A_i(J_i - G_i) \text{ za sliku (b)} \quad (5.8)$$

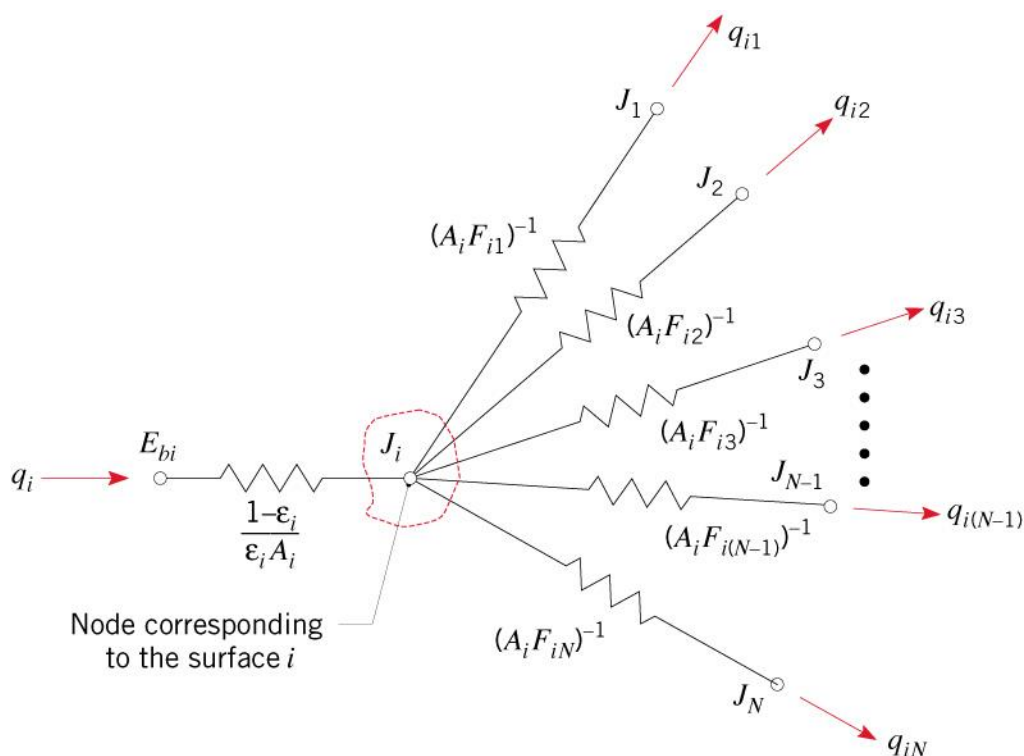
$$q_i = A_i(E_i - \alpha_i G_i) \text{ za sliku (c)} \quad (5.9)$$

$$q_i = \frac{E_{bi} - J_i}{(1 - \varepsilon_i)/\varepsilon_i A_i} \text{ za sliku (d)} \quad (5.10)$$

$$q_i = \sum_{j=1}^N A_i F_{ij} (J_i - J_j) = \sum_{j=1}^N \frac{J_i - J_j}{(A_i F_{ij})^{-1}} = 1 \quad (5.11)$$

Ravnoteža zračenja na površini i , prema Slika 5-3 i iz jednadžbi (5.10) i (5.11) se računa prema formuli:

$$\frac{E_{bi} - J_i}{(1 - \varepsilon_i)/\varepsilon_i A_i} = \sum_{j=1}^N \frac{J_i - J_j}{(A_i F_{ij})^{-1}} \quad (5.12)$$



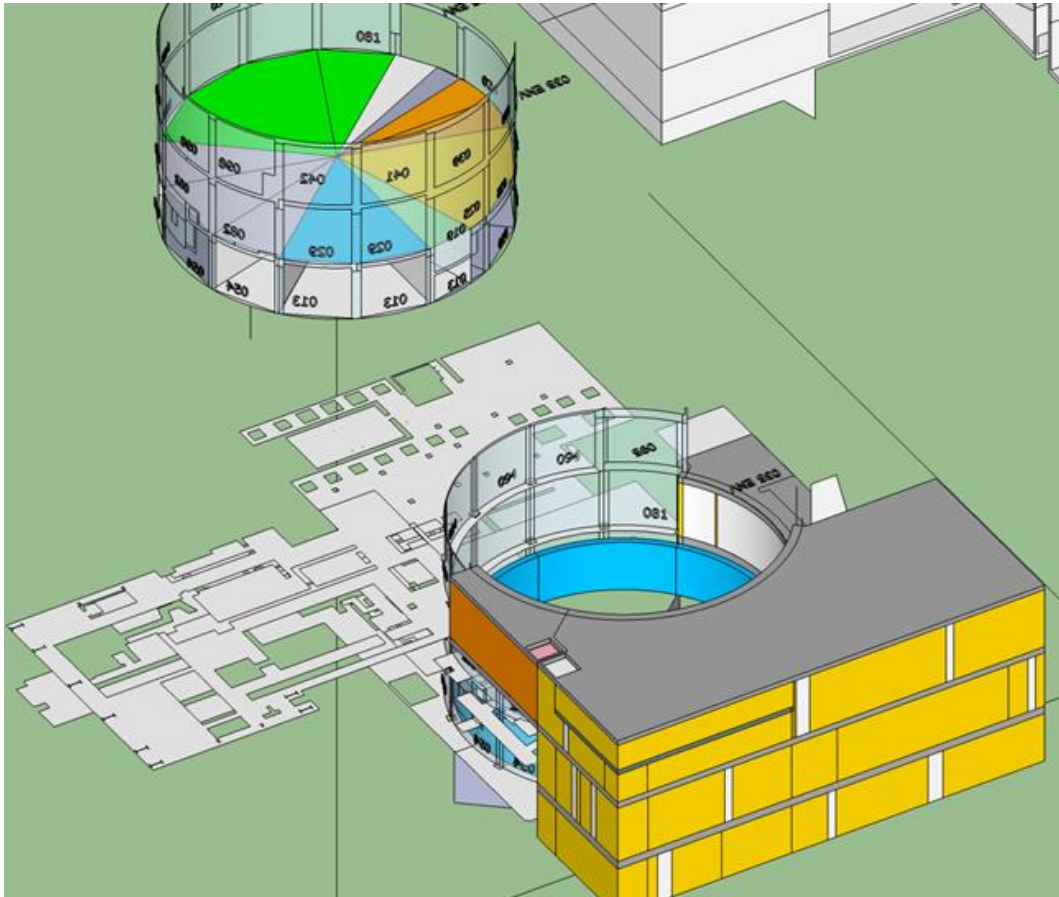
Slika 5-3 Ravnoteža zračenja na površini i

Na osnovi navedenih jednadžbi implementiran je model radijativne izmjene topline između izabranih toplinskih struktura u programu GOTHIC. Da bi se model mogao primijeniti potrebno je prvo izračunati vidne faktore F_{ij} za zatvorenu geometriju koju formiraju čelični kontejnment i unutrašnja strana betonske strukture reaktorske zgrade.

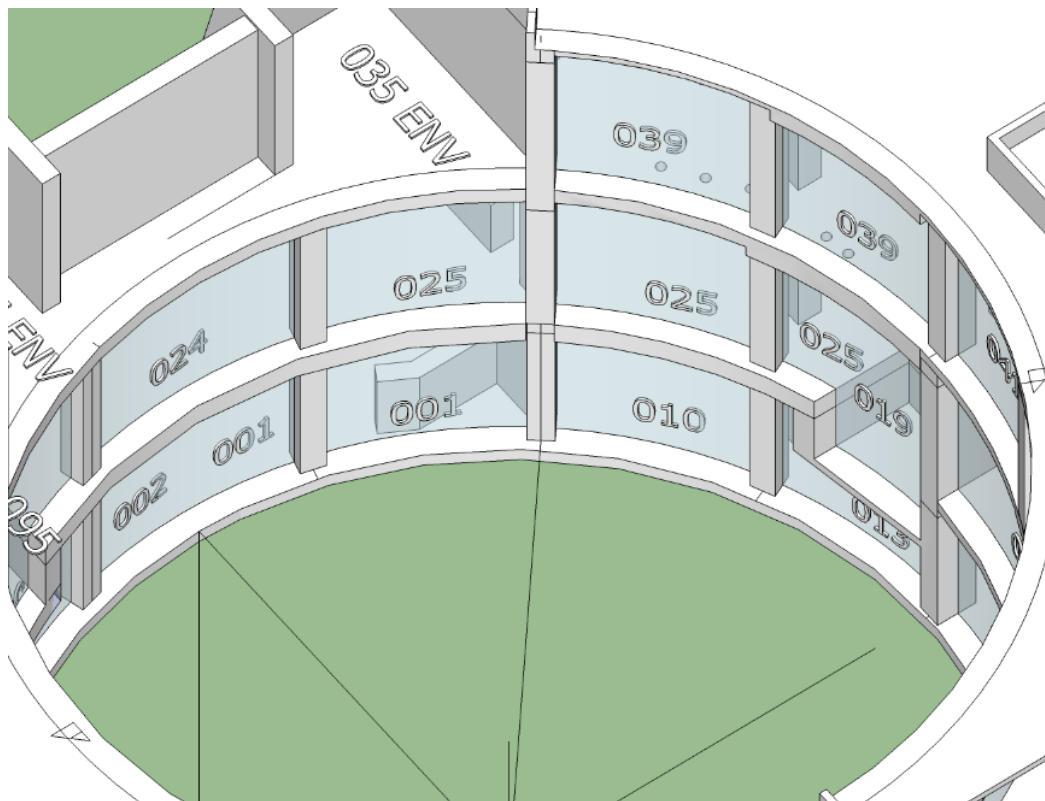
5.2. Opis modela i proračuna prijenosa topline između reaktorske zgrade i susjednih zgrada te okoliša

Za sve prostore izvan reaktorske zgrade treba uzeti stanje unutar reaktorske zgrade kao izvor poremećaja. To podrazumijeva računanje prijenosa topline iz kontejnmenta kroz anulus na susjedne zgrade bilo zračenjem i provođenjem (kondukcija), bilo konvekcijom, bilo preko sustava koji prolaze granicu kontejnmenta. U ovom radu je razvijen model radijativnog i konvektivnog prijenosa topline koji povezuje čelični kontejnment, anulus i betonski dio reaktorske zgrade. Prilikom određivanja okolišnih uvjeta za kontejnment, korišten je samo konvektivni prijenos topline između anulusa (reaktorske zgrade) i susjednih zgrada. Time su dobivene više temperature u kontejnmentu, što je konzervativnije. Kada se promatraju zgrade susjedne reaktorskoj zgradi, za njih je konzervativnije da je u njima što veća temperatura. Za vrijeme teških nesreća, pojavljuju se puno veće temperature u kontejnmentu nego u vrijeme projektne nesreće. Zbog većih temperatura, radijativni prijenos topline postaje sve bitniji. Zato je za određivanje okolišnih uvjeta u njima potrebno uzeti u obzir i radijativni prijenos topline između kontejnmenta i susjednih zgrada kroz anulus reaktorske zgrade.

Slika 5-4 iz tog razloga prikazuje model zgrada susjednih reaktorskoj zgradi u nuklearnoj elektrani Krško. Slika 5-5 prikazuje sobe susjedne reaktorskoj zgradi. Za njih je bitna radijativna komunikacija čeličnog kontejnmenta i betonskih struktura okolnih prostora za potrebe ocjene prijenosa topline i zagrijavanja.



Slika 5-4 Model NEK zgrada susjednih reaktorskoj zgradi



Slika 5-5 NEK sobe susjedne reaktorskoj zgradi

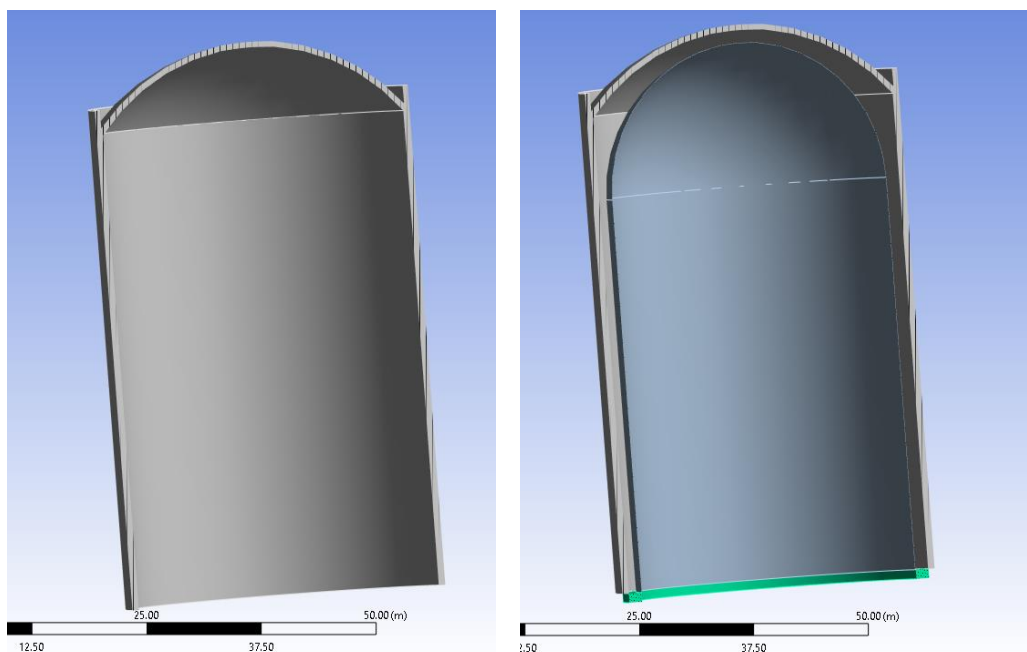
Metodologija prijenosa topline između čeličnog kontejnmenta i okolnih zgrada/soba se sastoji od sljedećih koraka:

- Primjeni jednadžbu (5.11) na svaku površinu gdje je poznata neto brzina zračenja q_i
- Primjeni jednadžbu (5.12) za svaku preostalu površinu za koju je poznata temperatura T_i , te stoga i E_{bi}
- Izračunaj vidne faktore
- Riješi sustav N jednadžbi za nepoznate J_1, J_2, \dots, J_N
- Koristeći jednadžbu (5.10) odredi q_i za svaku površinu poznate T_i i T_i za svaku površinu poznate q_i

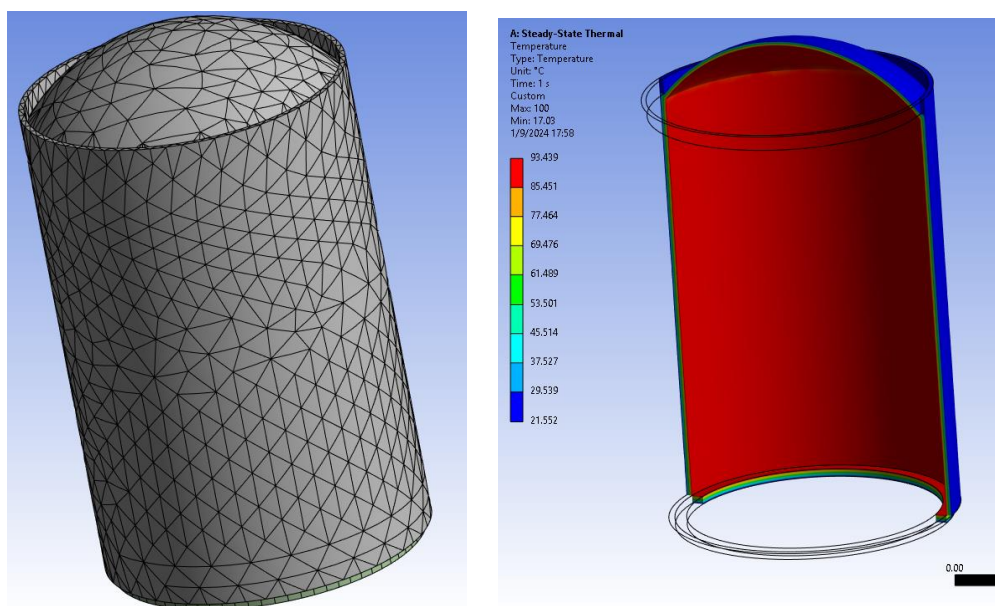
Kako su zgrade susjedne kontejnmentu, odnosno pomoćna zgrada i međuzgrada, modelirane u GOTHIC programu, pokušalo se odrediti radijativni prijenos topline u GOTHIC programu. Model koji je opisan u metodologiji prijenosa topline između čeličnog kontejnmenta i okolnih zgrada/soba se koristi za određivanje toplinskog inputa u sobe zgrada susjednih reaktorskoj zgradi i implementiran je u GOTHIC programu. Problem je što su za potrebe proračuna potrebno odrediti radijativne vidne faktore između površine čelične ljuske kontejnmenta i rubne betonske površine u okolnim zgradama. Te je podatke moguće proslijediti programu GOTHIC kao ulazne parametre.

Da bi se preliminarno kvantificirao utjecaj radijativnog prijenosa topline za danu temperaturu kontejnmenta korišten je stacionarni FEM (Finite Element Method) modul iz programskog paketa ANSYS (bilo bi moguće za to koristiti i FLUENT CFD modul (engl. Computational Fluid Dynamics)) koji ima implementirani radijativni prijenos topline, ali ne može eksplicitno izračunati vidne faktore. Zato je prvo provedena stacionarna analiza u ANSYS programu kako bi se promotrio radijativni prijenos topline u 3D. Slika 5-6 prikazuje model reaktorske zgrade, anulusa i čeličnog linera u ANSYS programu. Temperatura unutrašnje strane čeličnog linera je približno jednaka temperaturi atmosfere u kontejnmentu i postavljena je na 100 °C, što odgovara *steady-state* temperaturi tijekom kasnijih faza teške nesreće. Na početku teške nesreće, temperatura atmosfere u kontejnmentu je kratko vrijeme i iznad 200 °C, zatim se smanji na na 150 °C dok se ne ustali na vrijednosti oko 100 °C nakon primjene mjera za ograničenje posljedica teških nesreća. Reaktorska zgrada je s vanjske strane postavljena na temperaturu okoline što odgovara temperaturi od 20 °C. Slika 5-7 prikazuje mrežu (mesh) koju generira ANSYS program za promatrani problem i raspodjelu temperature u reaktorskoj zgradi

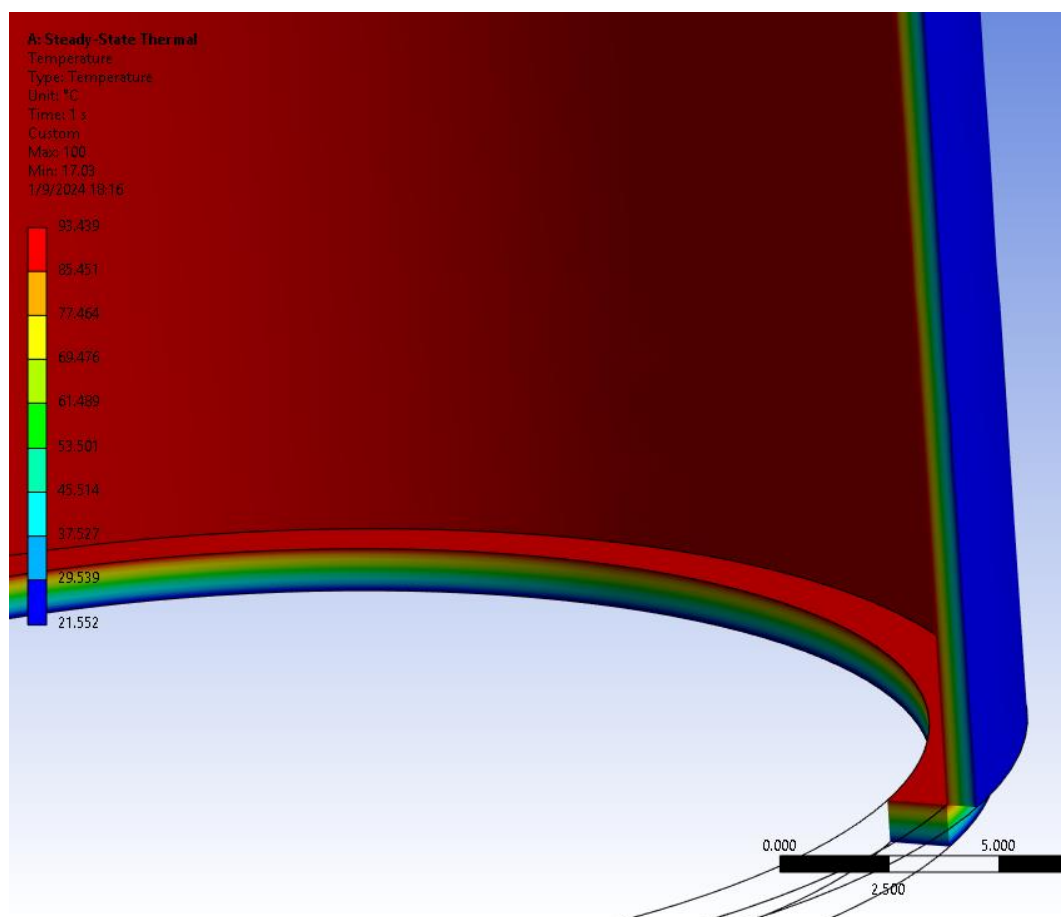
nakon provedenog proračuna. Uvećani prikaz promjena temperature u reaktorskoj zgradi je prikazan na Slika 5-8. Vidljivo je da se temperatura betonskog dijela reaktorske zgrade mijenja od 93 °C do 22 °C uslijed radijativnog prijenosa topline. Temperatura s unutrašnje strane betonskog zida je jako porasla jer je beton deo i ima malu toplinsku vodljivost pa je zbog toga prijenos topline na okolinu mali i postoji veliki gradijent temperature u betonskom zidu.



Slika 5-6: Model RB (lijeva slika), te anulusa i čeličnog linera (desna slika) - ANSYS



Slika 5-7: Proračunska mreža (lijeva slika) i raspodjela temperature u RB (desna slika) – ANSYS (početna T linera 100 °C)



Slika 5-8: Uvećeni prikaz promjena temperature u RB – ANSYS (početna T linera 100 °C)

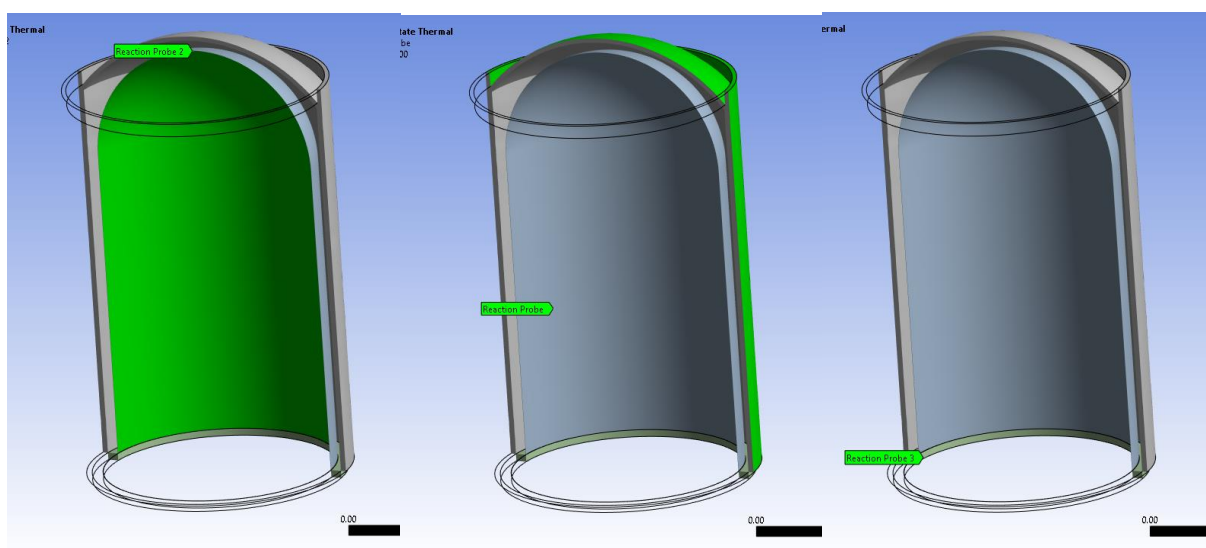
Neto izmjena snage za čelični liner, betonski dio reaktorske zgrade i betonski pod za početnu temperaturu čeličnog linera 100 °C je prikazana u Tablica 5-1.

Tablica 5-1: Neto izmjena snage za početnu temperaturu linera 100 °C

Čelični liner	Neto izlazna	507.8 kW
	Emitirano	6566 kW
	Reflektirano	20 W
	Upadno:	6058 kW
Betonski dio RB	Neto primljena	501.9 kW
	Emitirano	7018 kW
	Reflektirano	853 W
	Upadno	7519 kW
Betonski pod	Neto primljena	7.8 kW
	Emitirano	156.6 kW
	Reflektirano	120 W
	Upadno	164.27 kW

Pretpostavljene su emisivnosti materijala kao za idealno crno tijelo.

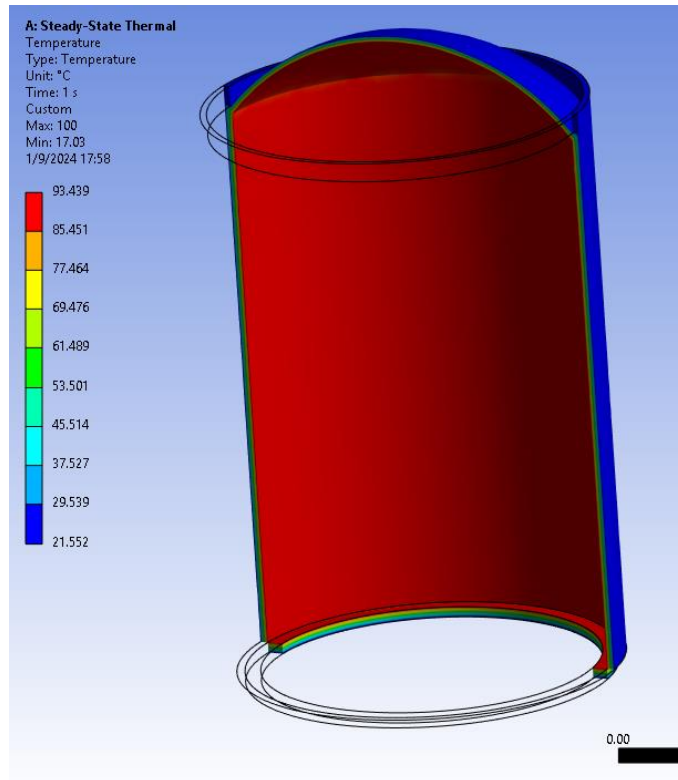
Promatrane su različite početne temperature čeličnog linera. Geometrija čeličnog linera, reaktorske zgrade i betonskog poda u ANSYS programu je isti za sva tri slučaja i prikazan je na Slika 5-9. Jedina je promijenjena početna temperatura čeličnog linera (tri promatrana slučaja su 100 °C, 150 °C i 200 °C). Tablica 5-2 prikazuje usporedbu neto izmijenjene snage za početnu temperaturu čeličnog linera 100 °C, 150 °C i 200 °C. Slika 5-10 prikazuje promjenu temperature u reaktorskoj zgradi za početnu temperaturu čeličnog linera 100 °C, Slika 5-11 za početnu temperaturu čeličnog linera 150 °C i Slika 5-12 za početnu temperaturu čeličnog linera 200 °C.



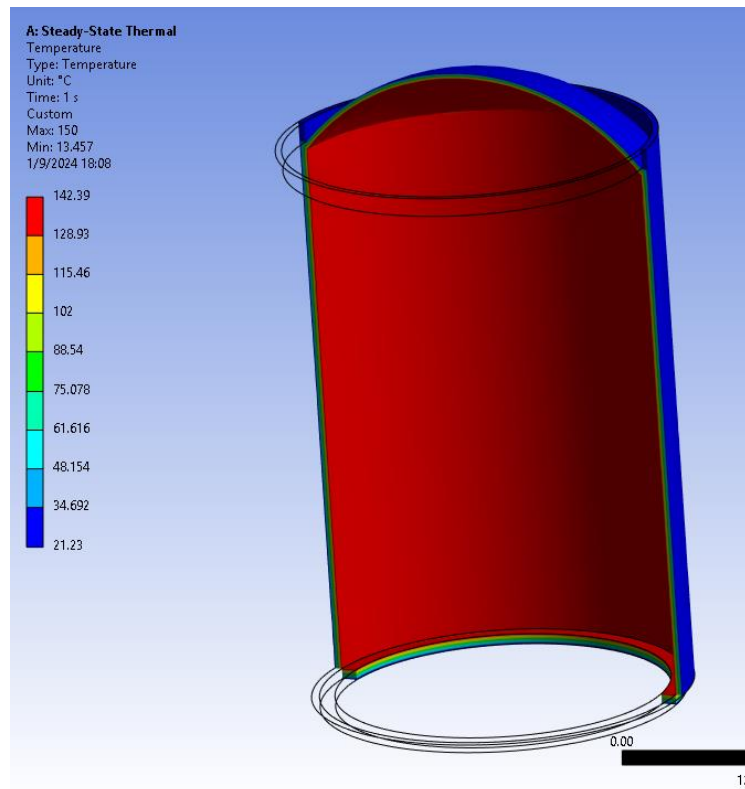
Slika 5-9: Model čeličnog linera (lijeva slika), RB (srednja slika) i betonskog poda (desna slika) – ANSYS (različite temperature linera)

Tablica 5-2: Usporedba neto izmijenjene snage za početnu temperaturu linera 100 °C, 150 °C i 200 °C

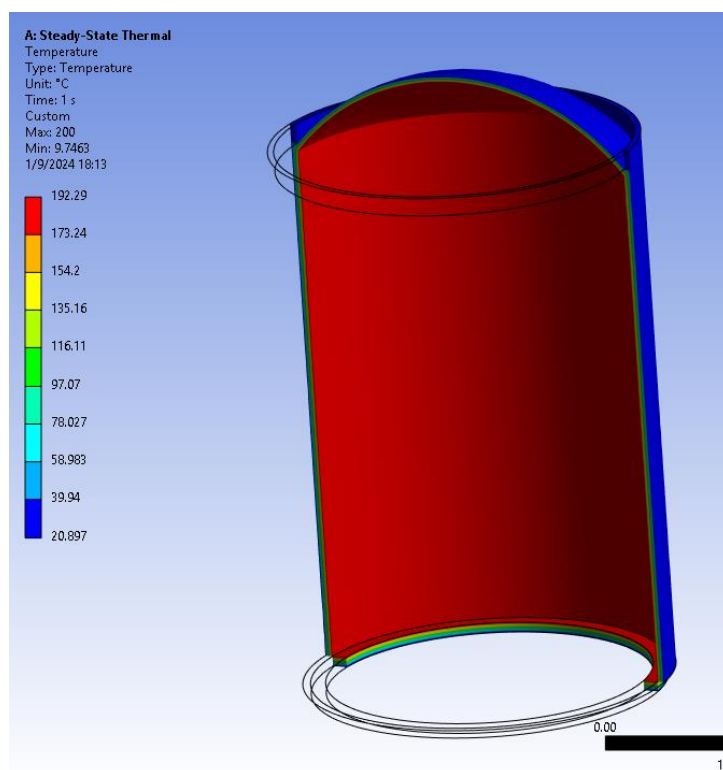
Čelični liner smanjenje	Početna T linera	
	100 °C	507.8 kW
	150 °C	861.6 kW
	200 °C	1.225 MW
Betonski dio RB porast	Početna T linera	
	100 °C	495 kW
	150 °C	837.7 kW
	200 °C	1.188 MW
Betonski pod porast	Početna T linera	
	100 °C	7.8 kW
	150 °C	13.26 kW
	200 °C	18.88 kW



Slika 5-10: Raspodjela temperature u RB – ANSYS (početna T linera 100 °C)



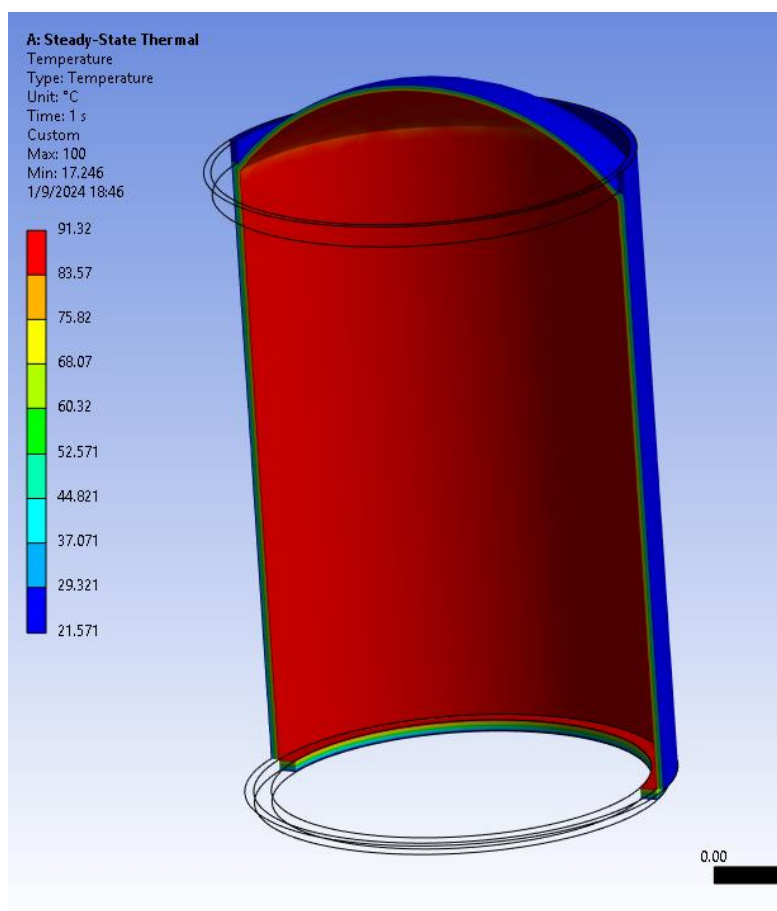
Slika 5-11: Raspodjela temperature u RB – ANSYS (početna T linera 150 °C)



Slika 5-12: Raspodjela temperature u RB – ANSYS (početna T linera 200 °C)

Promatran je i realan slučaj kada je za oba cilindra zadana emisivnost. Za čelik iznosi $\varepsilon(\text{čelik}) = 0.8$, a za beton $\varepsilon(\text{beton}) = 0.9$. Uzet je slučaj kada je početna temperatura čeličnog linera 100 °C. Slika 5-13 prikazuje raspodjelu temperature u reaktorskoj zgradi, a Tablica 5-3 neto izmijenjenu snagu za čelični liner i betonski dio reaktorske zgrade za navedeni slučaj. Ukupni transfer topline je 478 kW što znači da iz čeličnog linera izlazi 478 kW. Manje topline izlazi iz čeličnog linera kada se modelira sivo tijelo jer je manje efikasna radijativna veza kada se koristi realistična emisivnost.

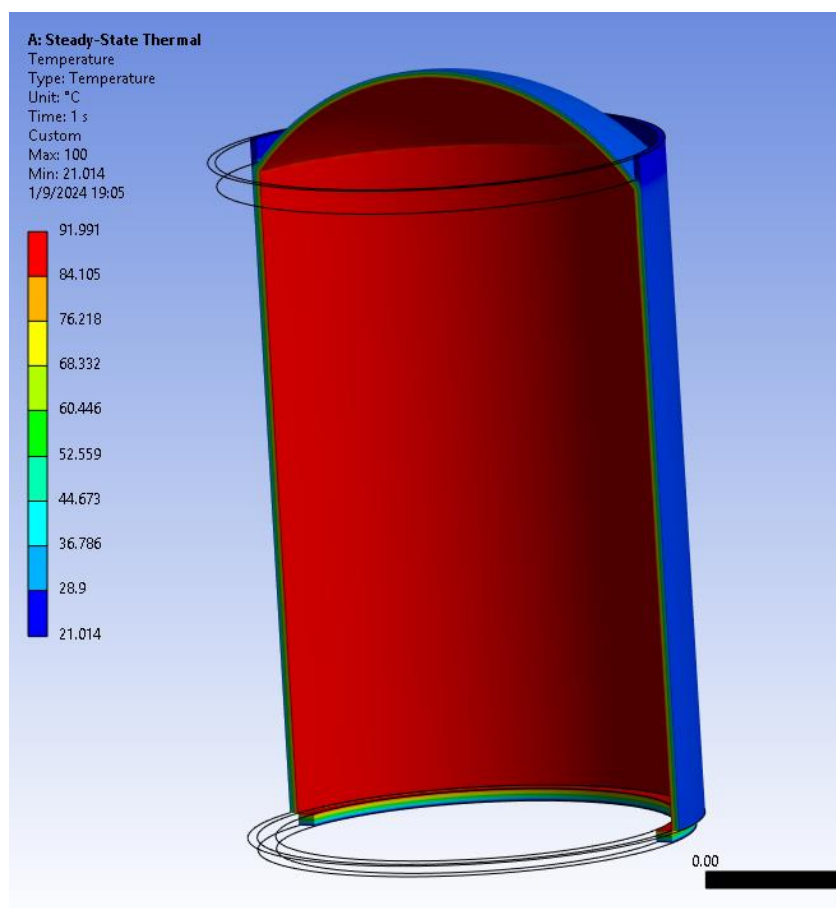
Dodatno je promatran prethodan slučaj (zadane emisivnosti za čelični liner i betonski dio RB, početna T čeličnog linera 100 °C) s konvektivnim prijelazom topline na površini reaktorske zgrade. Rezultati su prikazani na Slika 5-14. Ukupni transfer topline je 451 kW što znači da iz čeličnog linera izlazi 451 kW što je nešto manje nego u slučaju bez konvektivnog prijelaza topline na površini reaktorske zgrade jer postoji dodatni toplinski otpor na granici beton-zrak i površina betona je na temperaturi višoj od temperature okolnog zraka.



Slika 5-13: Raspodjela temperature u RB – ANSYS (zadane emisivnosti za čelični liner i betonski dio RB, početna T linera 100 °C)

Tablica 5-3: Neto izmjena snage za zadane emisivnosti za čelični liner i betonski dio RB i početnu temperaturu linera 100 °C

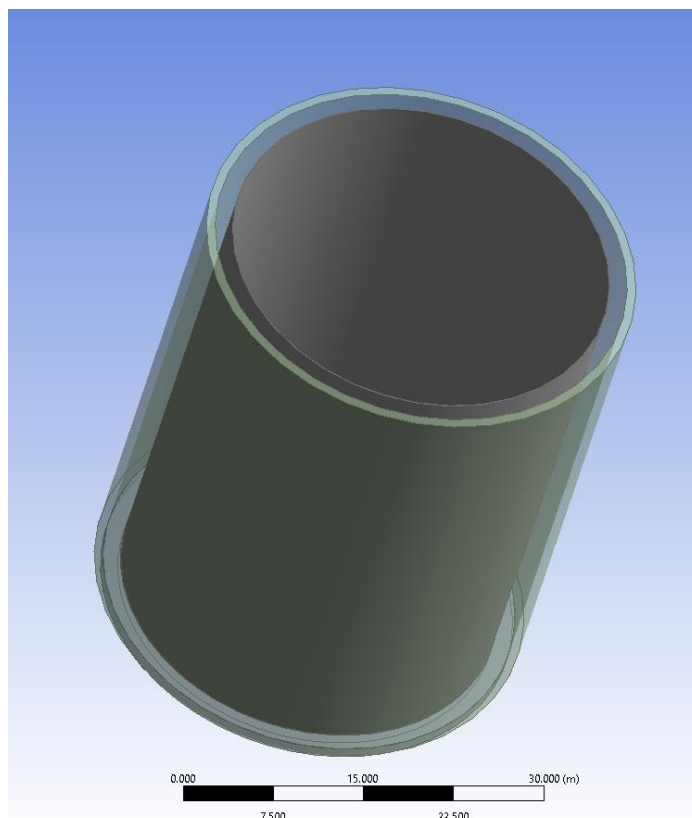
Čelični liner	Neto izlazna	490.8 kW
	Emitirano	5253 kW
	Reflektirano	1189 kW
	Upadno:	5952 kW
Betonski dio RB	Neto primljena	485 kW
	Emitirano	6156 kW
	Reflektirano	736 kW
	Upadno	7377 kW



Slika 5-14: Raspodjela temperature u RB – ANSYS (zadane emisivnosti za čelični liner i betonski dio RB, početna T linera 100 °C, konvektivni prijelaz topline na površini RB)

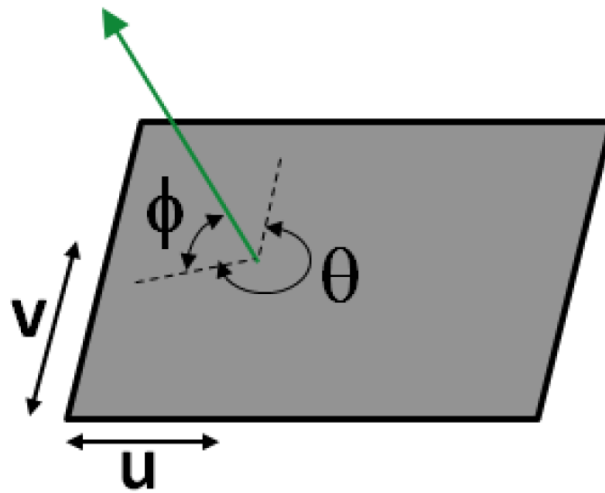
U ANSYS-u je modeliran jednostavan model koji približno odgovara konfiguraciji kontejnmenta i betona reaktorske zgrade s idejom da se odrede odgovarajući vidni faktori prikazan na Slika 5-15. Modelirana su dva cilindra visine 40 m koji predstavljaju betonski dio reaktorske zgrade i čelični liner te se nalaze na udaljenosti od 1 m. S donje strane su cilindri zatvoreni sa betonskim podom, a s gornje strane su otvoreni pri čemu dio zračenja bježi van. Za poznatu unutrašnju temperaturu kontejnmenta i vanjsku temperaturu betonskih struktura ANSYS je izračunao izmijenjene toplinske snage na površini pojedinih objekata ali čak ni za pretpostavljene emisivnosti crnog tijela nije bilo moguće pouzdano odrediti vidne faktore za površine koje čine zatvorenu konfiguraciju. Dodatno bi situaciju kompliciralo to što za potrebe proračuna temperature u rubnim prostorijama oko RB zgrade mi trebamo vidne faktore za dio površine betonskog cilindra.

To je bio razlog da se razvije vlastiti program za računanje vidnih faktora za radijativni prijenos topline u konfiguraciji anulus prostora reaktorske zgrade.

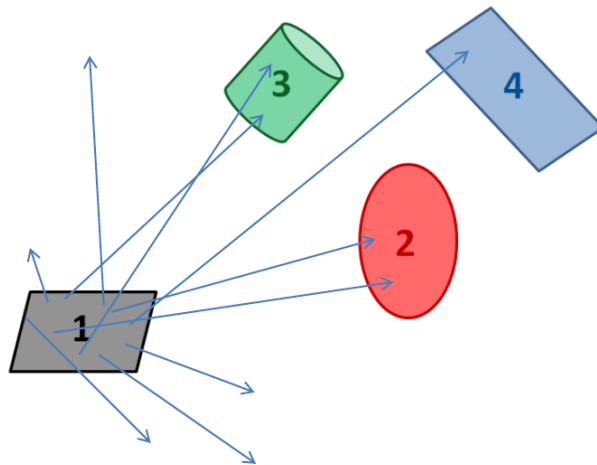


Slika 5-15: Jednostavan model cilindra za izračun vidnih faktora - ANSYS

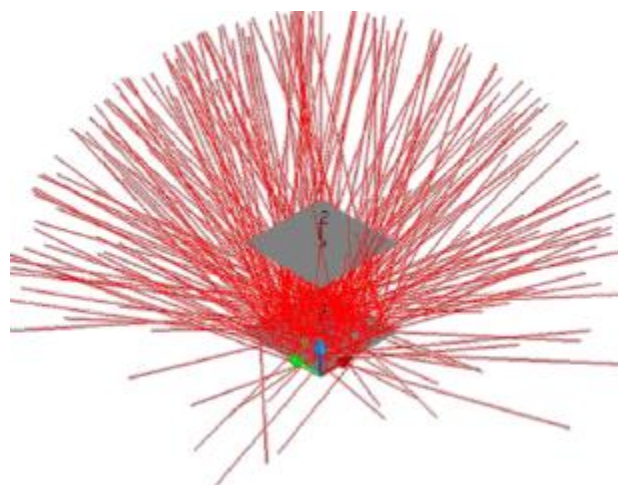
Od više različitih mogućnosti odlučeno je da je Monte Carlo postupak pogodan za računanje vidnih faktora jer je generalan i može se koristiti za više svrha. Dodatno, moguće je koristiti postojeća iskustva iz korištenja Monte Carlo proračuna za transporta neutrona i grama zračenja. Korištena metoda za određivanje vidnih faktora između čeličnog kontejnmenta i okolnih zgrada/soba je Monte Carlo ray tracing metoda [66][66]. Prednost MC je što adresira crno i sivo tijelo, te spekulativnu i difuznu refleksiju. Monte Carlo random generator bira točku definiranu koordinatama v i u (da se pokrije emisivna površina), te dva kuta Φ i θ (da se odredi interakcija s površinama koje okružuju promatranu površinu) [67], kao što je prikazano na Slika 5-16. Pratimo generirane zrake dok ne nestanu (u prvoj interakciji u slučaju da su pretpostavljena crna tijela) pri čemu nailaze na više različitih površina kao što prikazuje Slika 5-17. Slika 5-18 prikazuje generirane zrake Monte Carlo ray tracing metodom za testni slučaj dvije paralelne ravne površine. Vidni faktori su procijenjeni kao omjer broja zraka presretnutih od strane okolnih površina i ukupno emitiranih zraka s promatrane površine. Što više zraka je generirano, to će rezultati (vidni faktori) biti točniji.



Slika 5-16: Monte Carlo izbor random varijabli



Slika 5-17: Generirane zrake – ideja Monte Carlo ray tracing postupka



Slika 5-18: Generirane zrake – Monte Carlo ray tracing metoda za slučaj dvije ravne površine

Monte Carlo program može biti realiziran na dva načina. Prvi način pretpostavlja da su svi interagirajući objekti neki jednostavni geometrijski oblici ili njihove logičke kombinacije. Drugi način pretpostavlja da su interagirajući objekti aproksimirani jednostavnim ravnim trokutnim i/ili četverokutnim površinama. Razvijeni program koristi drugi pristup. Sastoji se od predprocesora koji izabrane objekte zamjenjuje facetnim površinama, centralnog dijela koji ima realiziran Monte Carlo ray tracing algoritam između proizvoljnih planarnih površina da se odrede parcijalni vidni faktori i postprocesorskog dijela koji na osnovi pripadnosti faceta originalnim površinama računa odgovarajuće vidne faktore (koristeći operacije/relacije koje vrijede za polje vidnih faktora). Program je pisan u programskom jeziku fortran 90.

Prije korištenja Monte Carlo programa, potrebno je generirati mrežu jednostavnih ravnih površina za svaki objekt jer Monte Carlo program promatra interakciju facete s facetom (faceta je trokutasta ili četverokutna planarna struktura), dok je promatrana konfiguracija čeličnog kontejnmenta i okolnih zgrada/soba modelirana pomoću cilindra, sfera ili planarnih prstena. Ulazni podaci koji se unose u GOTHIC program zahtijevaju unos površina, a ne faceta. Vidni faktori dobiveni Monte Carlo ray tracing metodom se upisuju se u posebnu datoteku formatiranu za GOTHIC proračun.

Predprocesor koji priprema ulazne podatke za Monte Carlo proračun provjerava podatke kako ne bi bilo pukotina u generiranju mreže na granici pojedinih objekata. Program ima mogućnost grafičkog prikaza koristeći funkcije iz Winteracter biblioteke. Ulazni podaci za predprocesor opisuju površine koje učestvuju u radijativnom prijenosu topline. Za jednostavnu konfiguraciju koja aproksimira uvjete prisutne u međuprostoru reaktorske zgrade ulazni podaci su prikazani na Slika 5-19 a odgovarajuća diskretizacija interagirajućih površina prikazana je na Slika 5-20. Model se sastoji od četiri objekta: cilindrični dio čeličnog linera (crvena boja na Slika 5-20), cilindrični dio betonskog zida reaktorske zgrade (plava boja na Slika 5-20), pod anulusa (žuta boja na Slika 5-20) i gornji ekvivalent poda anulusa koji zatvara konfiguraciju (zeleno boja na Slika 5-20). Ukupan broj čvorova korištene mreže je 592, a broj ravnih površina je 504.

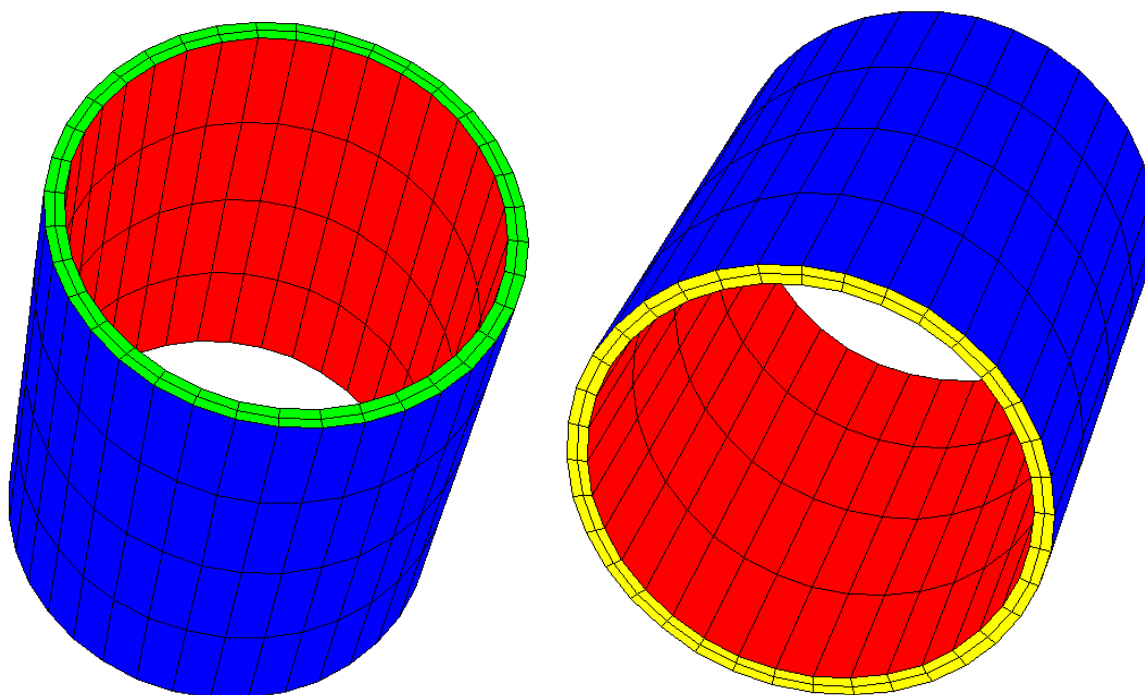
Monte Carlo ray tracing rezultati (vidni faktori za 4 površine) za jednostavan RB model su prikazani u Tablica 5-4. Ako se rezultati usporede s onima dobivenim na osnovi analitičke ili numeričke integracije izraza kojima su definirani vidni faktori, prikazanim u Tablica 5-5, vidljivo je da su i za dobivene površine i za izračunate vidne faktore odstupanja mala. Kriterij konvergencije u MC proračunu je bio $2E-4$.

```

VCC
! x,y,z coordinate centra cylindra, radijus broj kutnih podjela, visina u
odnosu na centar, broj aks podjela
! 1 - vanjska površina učestvuje u radijativnoj izmjeni (0 unutrašnja), 0
bez patcha
0. 0. 0. 16.078 36 43.04 4 1 0
HCR
! horizontal circular ring
! x,y,z coordinate centra cylindra, in and out radijus broj kutnih podjela,
broj podjela
! 1 - gornja površina učestvuje u radijativnoj izmjeni (0 donja), 0 bez
patcha
0. 0. 0. 16.078 17.56 36 2 1 0
VCC
! x,y,z coordinate centra cylindra, radijus broj kutnih podjela, visina u
odnosu na centar, broj aks podjela
! 1 - vanjska površina učestvuje u radijativnoj izmjeni (0 unutrašnja), 1 s
patchem
! kut početka i završetka patcha (obrnuto od kazaljke na satu, deg), visina
dna i vrha patcha u odnosu na centar
0. 0. 0. 17.56 36 43.04 4 0 0
HCR
! horizontal circular ring
! x,y,z coordinate centra cylindra, in and out radijus broj kutnih podjela,
broj podjela
! 1 - gornja površina učestvuje u radijativnoj izmjeni (0 donja), 0 bez
patcha
0. 0. 43.04 16.078 17.56 36 2 0 0
END

```

Slika 5-19: Ulazni podaci za predprocesor u slučaju jednostavne RB konfiguracije



Slika 5-20: Mreža za jednostavnu RB konfiguraciju

Tablica 5-4: Rezultati Monte Carlo proračuna za jednostavnu RB konfiguraciju

Dobivene površine:	A ₁ = 4342.462 m ² (čelični liner)			
	A ₂ = 155.8192 m ² (betonski pod)			
	A ₃ = 4742.650 m ² (betonski dio RB)			
	A ₄ = 155.8192 m ² (gornji ekvivalent betonskog poda)			
Dobiveni vidni faktori:				
	1	2	3	4
1	0.0000000	1.4474847*10⁻²	0.9710655	1.4459650*10 ⁻²
2	0.4114096	0.0000000	0.5826103	5.9801484*10 ⁻³
3	0.8891231	1.8718112*10 ⁻²	7.3462345*10⁻²	1.8696368*10 ⁻²
4	0.4112909	5.8908458*10 ⁻³	0.5828183	0.0000000

Tablica 5-5: Rezultati primjene analitičkih formula i direktne integracije za jednostavnu RB konfiguraciju

Dobivene površine:	A ₁ = 4346.93505774559 m ² (čelični liner)			
	A ₂ = 4747.61659497528 m ² (betonski dio RB)			
	A ₃ = 156.613125137489 m ² (betonski pod)			
Dobiveni vidni faktori:	F ₂₁ = 0.888575328660982 (betonski dio RB prema čeličnom lineru)			
	F ₁₂ = 0.970480331588932 (čelični liner prema betonskom dijelu RB)			
	F ₂₂ = 7.278547235884364*10⁻² (betonski dio RB prema betonskom dijelu RB)			
	F ₁₃ = 1.475983420553439*10⁻² (čelični liner prema betonskom podu)			
	F ₁₃ = 1.770900578142638*10 ⁻² (betonski dio RB prema betonskom podu)			
Ukupan vidni faktor:	Za čelični liner prema svim ostalim: 0.985240165794466			
	Za betonski dio RB prema svima: 0.979069806801252			
Ukupan vidni faktor ako se uzme u obzir i gornja površina (zatvorena konfiguracija)	Za čelični liner: 1.000000000000000			
	Za betonski dio RB: 0.996778812582678			

Nakon što su rezultati numeričkog računanja vidnih faktora Monte Carlo ray tracing metodom verificirani usporedbom s analitičkim rezultatima za jednostavnu RB konfiguraciju, analizirana je situacija u kojoj je dio površine betonskog zida pridijeljen odgovarajućoj rubnoj prostoriji IB ili AB zgrade. Takva površina koja je potpuno sadržana unutar osnovne površine je implicitno definirana i označena je terminom *patch* (zakrpa). Takve konfiguracije površina koje izmjenjuju toplinu radijacijom su i razlog razvoja ovog programa. Primjer proračuna je prikazan za sobu IB029 te su ulazni podaci za predprocesorski program prikazani na Slika 5-21. Za cilindar koji sadrži dodatnu površinu potrebno je definirati pripadne granične kuteve i

granične elevacije (na primjer patch za IB029, 40 do 90 stupnjeva, el. 107.62 do 115.55). Brojevi površina su sekvencijalno dodijeljeni. Objekt koji sadrži patch mora biti definiran prije susjednih objekata da bi zajednički rubovi imali kontinuiranu diskretizaciju. Predprocesorski program generira mrežu za jednostavan model RB zgrade s patchom (zid IB029 prostorije) prikazanu na Slika 5-22. Model se sastoji od pet objekata: cilindrični dio betonskog zida reaktorske zgrade bez patcha (crvena boja na Slika 5-22, površina 1), patch s zidom prostorije IB029 (zelena boja na Slika 5-22, površina 2), cilindrični dio čeličnog linera (plava boja na Slika 5-22, površina 3), pod anulusa (žuta boja na Slika 5-22, površina 4) i gornji ekvivalent poda anulusa koji zatvara konfiguraciju (svijetlo plava boja na Slika 5-22, površina 5). Ukupan broj čvorova mreže je 666, a broj ravnih površina u modelu je 504.

VCC

```
! x,y,z coordinate centra cylindra, radijus broj kutnih podjela, visina u
odnosu na centar, broj aks podjela
! 1 - vanjska površina ucestvuje u radijativnoj izmjeni (0 unutrasnja), 1 s
patchem
! kut pocetka i zavrsetka patcha (obrnuto od kazaljke na satu, deg), visina
dna i vrha patcha u odnosu na centar
0. 0. 0. 17.56 36 43.04 5 0 1
 40. 90. 7.32 14.35      ! 20. 40. / 40. 90. / 90. 140. / 140. 220.
```

!

VCC

```
! x,y,z coordinate centra cylindra, radijus broj kutnih podjela, visina u
odnosu na centar, broj aks podjela
! 1 - vanjska površina ucestvuje u radijativnoj izmjeni (0 unutrasnja), 0
bez patcha
0. 0. 0. 16.078 36 43.04 5 1 0
```

HCR

! horizontal circular ring

```
! x,y,z coordinate centra cylindra, in and out radijus broj kutnih podjela,
broj podjela
```

```
! 1 - gornja površina ucestvuje u radijativnoj izmjeni (0 donja), 0 bez
patcha
```

```
0. 0. 0. 16.078 17.56 36 2 1 0
```

HCR

! horizontal circular ring

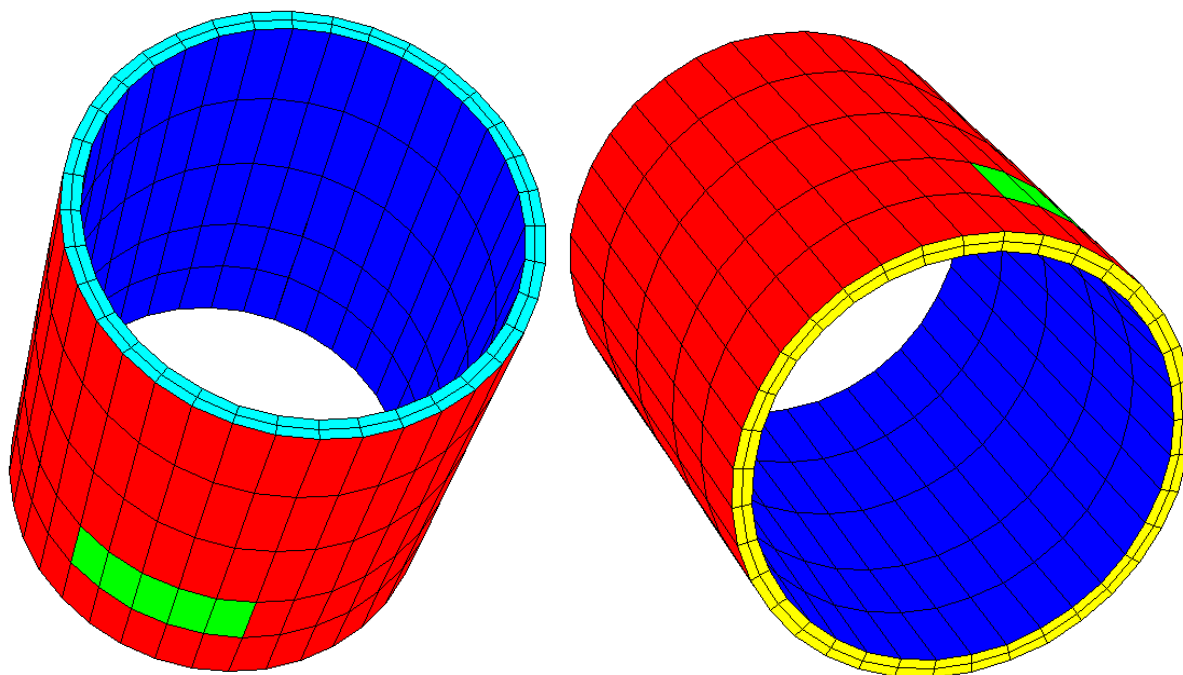
```
! x,y,z coordinate centra cylindra, in and out radijus broj kutnih podjela,
broj podjela
```

```
! 1 - gornja površina ucestvuje u radijativnoj izmjeni (0 donja), 0 bez
patcha
```

```
0. 0. 43.04 16.078 17.56 36 2 0 0
```

END

Slika 5-21: Ulazni podaci za jednostavnu RB konfiguraciju sa zidom sobe IB029



Slika 5-22: Mreža za jednostavan model RB zgrade i IB029 zida

Monte Carlo ray tracing rezultati za jednostavan model RB zgrade sa zidom prostorije IB029 (patch) su prikazani u Tablica 5-6.

Tablica 5-6: Rezultati Monte Carlo proračuna za jednostavan model RB zgrade i IB029 zida

Dobivene površine:	$A_1 = 4635.087 \text{ m}^2$ (betonski dio RB bez patcha)				
	$A_2 = 107.5900 \text{ m}^2$ (patch koji odgovara IB029)				
	$A_3 = 4342.427 \text{ m}^2$ (čelični liner)				
	$A_4 = 155.8192 \text{ m}^2$ (betonski pod)				
	$A_5 = 155.8192 \text{ m}^2$ (gornji ekvivalent betonskog poda)				
Dobiveni vidni faktori:					
	1	2	3	4	5
1	$7.1422309 \cdot 10^{-2}$	$1.5649138 \cdot 10^{-3}$	0.8870287	$2.2504555 \cdot 10^{-2}$	$1.7479423 \cdot 10^{-2}$
2	$6.1233968 \cdot 10^{-2}$	$1.6479997 \cdot 10^{-2}$	0.9134800	$8.1519987 \cdot 10^{-3}$	$6.5399997 \cdot 10^{-4}$
3	0.9425996	$2.6981996 \cdot 10^{-2}$	0.0000000	$1.7274901 \cdot 10^{-2}$	$1.3143500 \cdot 10^{-2}$
4	0.5767741	$5.9076375 \cdot 10^{-3}$	0.4113794	0.0000000	$5.9388913 \cdot 10^{-3}$
5	0.5820774	$4.0513952 \cdot 10^{-4}$	0.4115437	$5.9737633 \cdot 10^{-3}$	0.0000000

Kao primjer primjene modela na zidove prostorija IB029 i IB024 (140 do 220 stupnjeva, el. 107.62 do 115.55) odgovarajući vidni faktori površine kontejnmenta i zida prostorije su 2.6981996E-02 i 4.3078095E-02.

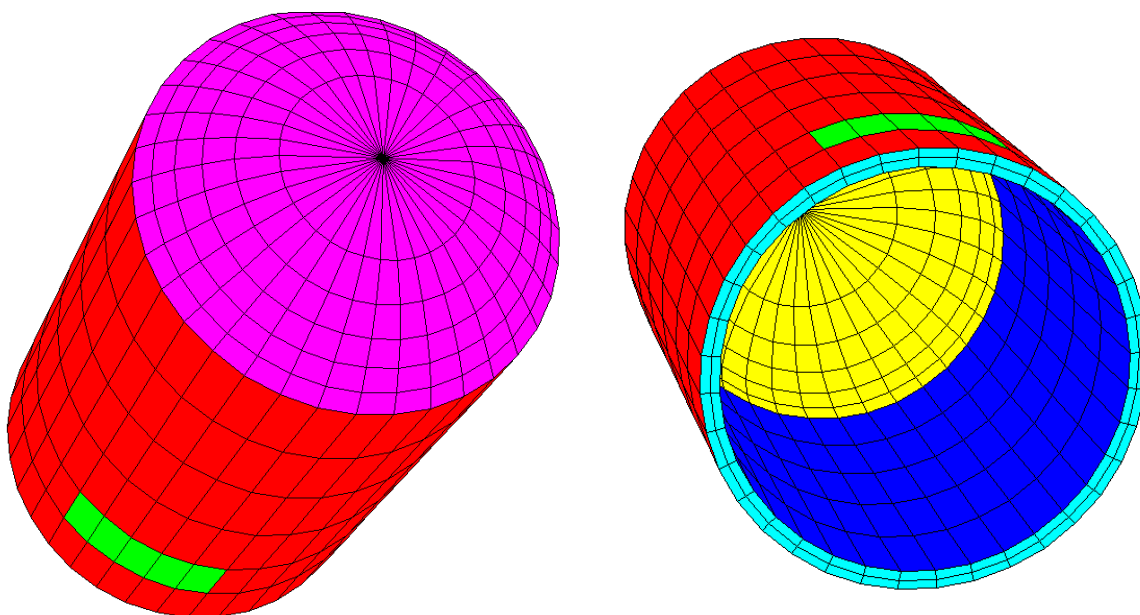
Da se ispita utjecaj zanemarenja u razvoju RB modela analiziran je realistični model RB zgrade i radijativni prijenos topline na zid rubne prostorije IB029. Diskretizacija modela je prikazana na Slika 5-23. Takva diskretizacija odgovara sljedećoj ulaznoj datoteci predprocesora:

```

VCC shield building with patch
! x,y,z coordinate centra cylindra, radijus broj kutnih podjela, visina u odnosu na centar,
broj aks podjela
! 1 - vanjska površina ucestvuje u radijativnoj izmjeni (0 unutrašnja), 1 s patchem
! kut pocetka i zavrsetka patcha (obrnuto od kazaljke na satu, deg), visina dna i vrha patcha
u odnosu na centar
0. 0. 0. 17.5608 36 52.12 6 0 1
40. 90. 7.32 14.35 ! 20. 40. / 40. 90. / 90. 140. / 140. 220.
!
VCC steel liner
! x,y,z coordinate centra cylindra, radijus broj kutnih podjela, visina u odnosu na centar,
broj aks podjela
! 1 - vanjska površina ucestvuje u radijativnoj izmjeni (0 unutrašnja), 0 bez patcha
0. 0. 0. 16.078 -1 43.04 5 1 0
SPHH steel hemisphere
! x,y,z coordinate centra kugle, radijus broj kutnih podjela, visina do kalote u odnosu na
centar, broj aks podjela
! 1 - vanjska površina ucestvuje u radijativnoj izmjeni (0 unutrašnja), 0 bez patcha
0. 0. 43.04 16.078 -1 0.00 6 1 0
HCR annulus floor
! horizontal circular ring
! x,y,z coordinate centra cylindra, in and out radijus broj kutnih podjela, broj podjela
! 1 - gornja površina ucestvuje u radijativnoj izmjeni (0 donja), 0 bez patcha
0. 0. 0. 16.078 17.5608 -1 2 1 0
SPHH concrete top
! x,y,z coordinate centra kugle, radijus broj kutnih podjela, visina do kalote u odnosu na
centar, broj aks podjela
! 1 - vanjska površina ucestvuje u radijativnoj izmjeni (0 unutrašnja), 0 bez patcha
0. 0. 37.91 22.59 -1 14.21 6 0 0
END

```

Model se sastoji od šest objekata: cilindrični dio betonskog zida reaktorske zgrade bez patcha (crvena boja, površina 1), patch s zidom prostorije IB029 (zelena boja, površina 2), cilindrični dio čeličnog liner (plava boja, površina 3), sferni dio čeličnog kontejnmenta (žuta boja, površina 4), pod anulusa (svijetlo plava, površina 5) i gornji sferni dio RB zgrade koji zatvara konfiguraciju (ljubičasta (magenta) boja, površina 6). Ukupan broj čvorova mreže je 1038, a broj ravnih površina u modelu je 900.



Slika 5-23: Mreža za realistični model RB zgrade i IB029 prostorije

Izračunati normalizirani vidni faktor za opisanih 6 površina dani su ispod:

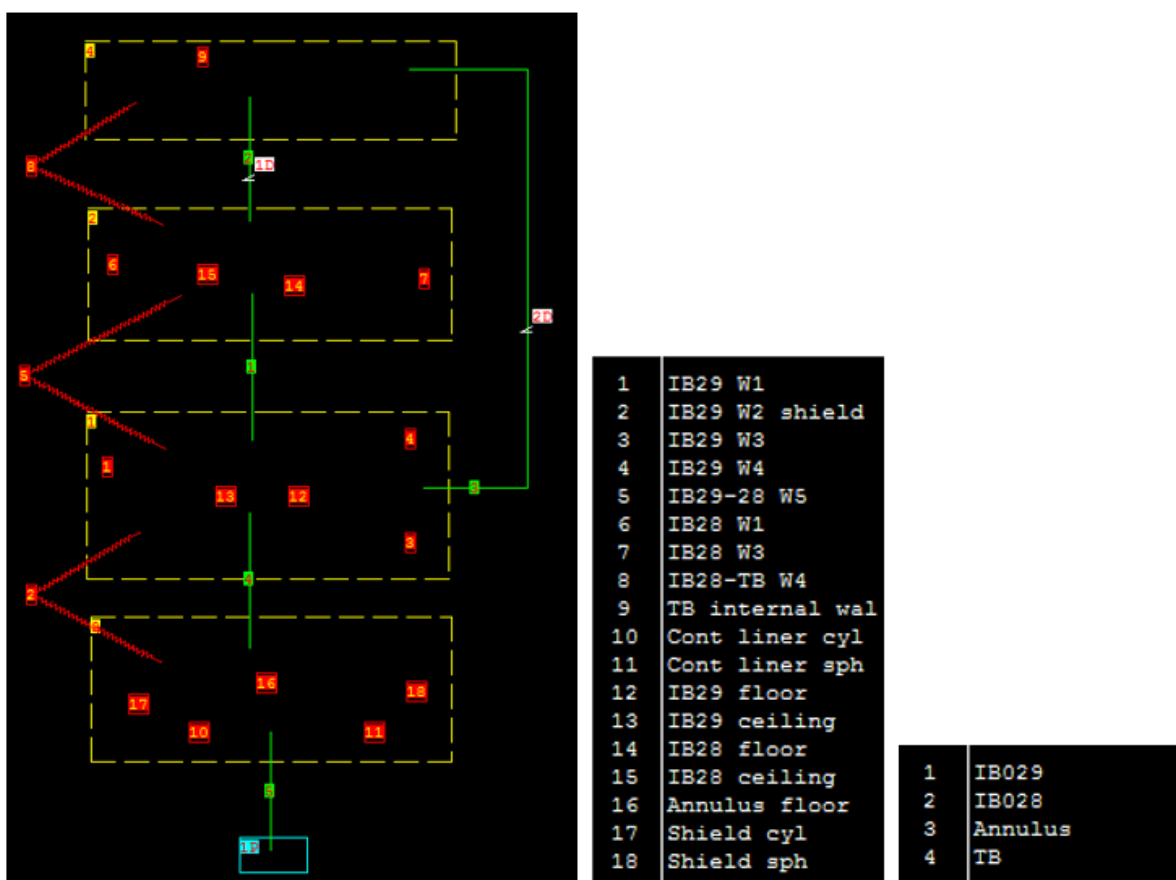
normalized exchange fractions						
	1	2	3	4	5	6
1	7.6185398E-02	1.3096678E-03	0.7516474	0.1216566	1.8717607E-02	3.0483248E-02
2	6.1507963E-02	1.6477996E-02	0.9134321	0.0000000E+00	8.1659975E-03	4.1599997E-04
3	0.9622248	2.2643698E-02	0.0000000E+00	0.0000000E+00	1.4650969E-02	4.8049871E-04
4	0.4593880	0.0000000E+00	0.0000000E+00	0.0000000E+00	0.0000000E+00	0.5406120
5	0.5780374	5.9390436E-03	0.4113759	0.0000000E+00	0.0000000E+00	4.6476503E-03
6	0.1574637	3.0092691E-05	1.2407490E-03	0.7288692	4.2972359E-04	0.1119665
area of objects						
1	5635.912					
2	107.5950					
3	4342.500					
4	1601.831					
5	155.9084					
6	1180.283					

Vidni faktor pod kojim čelični kontejnment vidi rubni zid sobe IB029 je $2.6981996E-02$ u jednostavnoj RB konfiguraciji gdje su visine cilindričnog dijela čeličnog kontejnmenta i betonskog zida reaktorske zgrade isti. U realističnoj konfiguraciji koja je opisana gornjim vidnim faktorima taj broj je $2.2643698E-02$. U isto vrijeme vidni faktori između cilindričnog dijela kontejnmenta i cilindričnog dijela reaktorske zgrade (bez zida IB029 sobe) su 0.9425996 i 0.9622248 . Za potrebe proračuna zagrijavanja pojedine sobe koja graniči s reaktorskom zgradom korištenje jednostavnog modela je očito još uvijek prihvatljivo. Za analizu hlađenja kontejnmenta u slučaju visokih unutrašnjih temperatura i za analizu toplinskog opterećenja gornjih elevacija reaktorske zgrade potrebno je koristiti model koji uzima u obzir stvarnu geometriju.

Ukupno vrijeme trajanja proračuna MC programom je 374 s za ukupni broj emitiranih zraka od $9e7$ (900 elementarnih crnih površina i $1e5$ zraka emitiranih po površini) uz tipični kriterij konvergencije manji od $1.e-4$.

Dobiveni vidni faktori su korišteni za unaprjeđenje ranije razvijenog GOTHIC modela zagrijavanja prostorija koji graniče s reaktorskom zgradom.

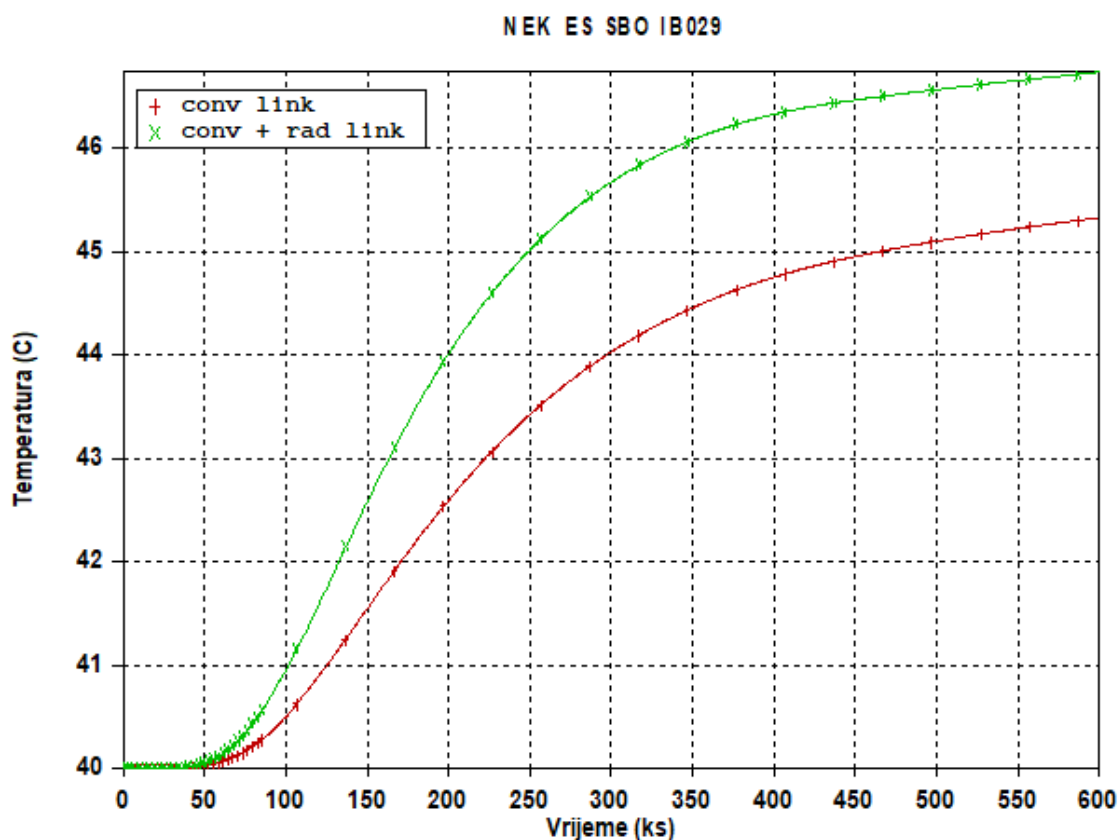
Slika 5-24 prikazuje modeliranje radijativne veze u GOTHIC programu. Na slici lijevo je prikazan model u GOTHIC-u koji se tipično sastoji od četiri kontrolna volumena: volumen 3 je anulus, volumen 1 je IB029 (soba koja graniči s anulusom), volumen 2 je IB028 (soba susjedna IB029), a volumen 4 je turbinska zgrada (koja graniči s IB028). Plavim kvadratićem je označen kontejnment, modeliran vremenski ovisnom temperaturom i tlakom (rezultat proračuna kontejnmenta za slučaj teške nesreće). Na slici je prikazano 18 toplinskih struktura koje modeliraju zidove, podove i stropove navedenih kontrolnih volumena. Toplinske strukture koje su prikazane kao crvene harmonike na Slika 5-24 su eksterne toplinske strukture koje spajaju dvije zgrade/sobe te tu možemo definirati površinsku radijativnu vezu preko izračunatih vidnih faktora.



Slika 5-24 Modeliranje radijativne veze u GOTHIC programu za NEK

5.3. Rezultati i analiza rezultata razvijenog modela prijenosa topline između reaktorske zgrade i susjednih zgrada te okoliša

Slika 5-25 prikazuje temperaturu u sobi IB029 nuklearne elektrane Krško. Primjetna je blago povećana temperatura (približno $1,5^{\circ}\text{C}$) kada se koristi model radijativne poveznice između reaktorske zgrade i susjednih zgrada te okoliša. Taj model vjernije opisuje prijenos topline iz reaktorske zgrade na susjedne zgrade. Razlog tome je što je taj prijenos konvektivni i radijativni, a ne samo konvektivni koji je prethodno korišten radi jednostavnosti modela. Korištenjem modela koji uzima u obzir konvektivni i radijativni prijenos topline između anulusa (reaktorske zgrade) i sobe IB029 koja je susjedna anulusu, soba IB029 se više zagrijala zbog radijativnog prijenosa topline. Zbog toga je i temperatura u sobi IB029 veća.



Slika 5-25 Usporedba temperature u NEK IB029 s i bez radijativne poveznice

6. MODELI IZRAČUNA RADIOAKTIVNOG SADRŽAJA JEZGRE I IZOTOPSKOG SASTAVA RADIOAKTIVNOG IZVORA

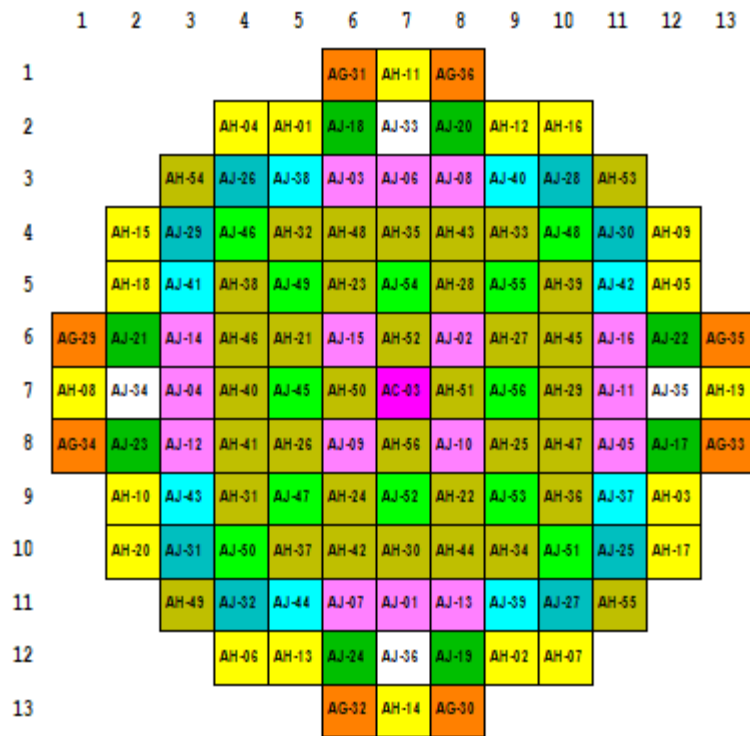
6.1. Opis modela i proračuna radioaktivnog sadržaja jezgre i izotopskog sastava radioaktivnog izvora

Tijekom teške nuklearne nesreće postoji mogućnost oštećenja goriva i u reaktorskoj posudi i u bazenu za istrošeno gorivo. Posljedično, postoji mogućnost širenja radioaktivnog sadržaja jezgre po kontejnmentu, zgradi za istrošeno gorivo i u okolinu. Termohidraulički programi s kojima su započeti svi proračuni u metodologiji okolišnih uvjeta ne mogu dati doze, te je potrebno koristiti druge programe za radiološke proračune. Kao ulazni podatak potrebno je poznavati aktivnosti za potrebe širenja radioaktivnih efluenata i intenzitet neutronske i gama izvora za potrebe transporta zračenja. Kako bi se mogla odrediti intenzitet neutronske i gama izvora potrebno je imati stvarne podatke o gorivu i povijesti goriva.

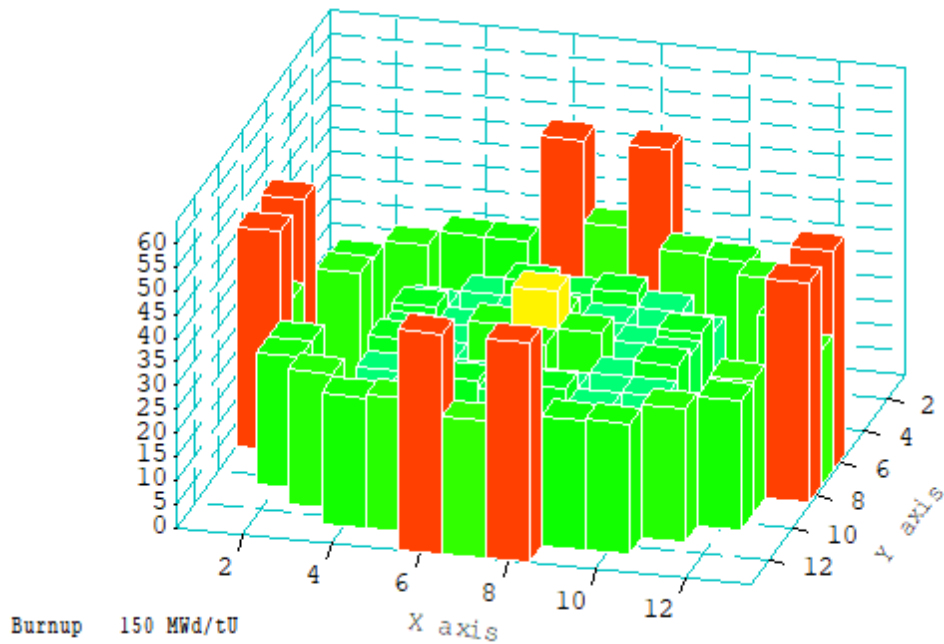
Prvo je potrebno izračunati sadržaj radioaktivnog materijala u gorivu za dane uvjete pogona i pripremiti ga u obliku koji koriste nuklearni računalni programi za proračun teških nuklearnih nesreća (samo bitni izotopi, grupe formirane po kriteriju zajedničkog transporta, aproksimativna vremenska ovisnost pojedine grupe). Zatim je potrebno tijekom teške nesreće transportirani materijal (transportne grupe) pretvoriti u izotopski sastav koji je nužan za određivanje doza bilo da se radi o volumnom izvoru ili oslobođenom radioaktivnom materijalu (u zrak ili vodu) u koji je uronjena oprema. Sadašnji način određivanja tog izotopskog sastava je aproksimativan i relativno kompliciran. Zbog toga je u disertaciji prikazan unaprijeđeni model koji se može ovisno o namjeni prilagoditi određivanju konzervativnog ili realističnog izotopskog sastava.

Za određivanje radioaktivnog materijala u jezgri je potrebno izračunati raspodjelu odgora pomoću PARCS programa. Ulazni poznati podaci o pojedinim gorivnim elementima su dostupni u .fas datotekama PARCS programa. Kao primjer, promatrano je stanje jezgre tijekom 29. gorivnog ciklusa i stanje u bazenu za istrošeno gorivo nakon 28. gorivnog ciklusa rada nuklearne elektrane Krško. Slika 6-1 prikazuje raspored gorivnih elemenata u jezgri nuklearne elektrane Krško tijekom 29. gorivnog ciklusa. PARCS program kao rezultat daje 3D raspodjelu odgora, podatke o trenutku stavljanja i vađenja pojedinog gorivnog elementa u jezgru, odgoru i trajanju izmjene goriva. Slika 6-2 prikazuje 3D raspodjelu odgora gorivnih elemenata na

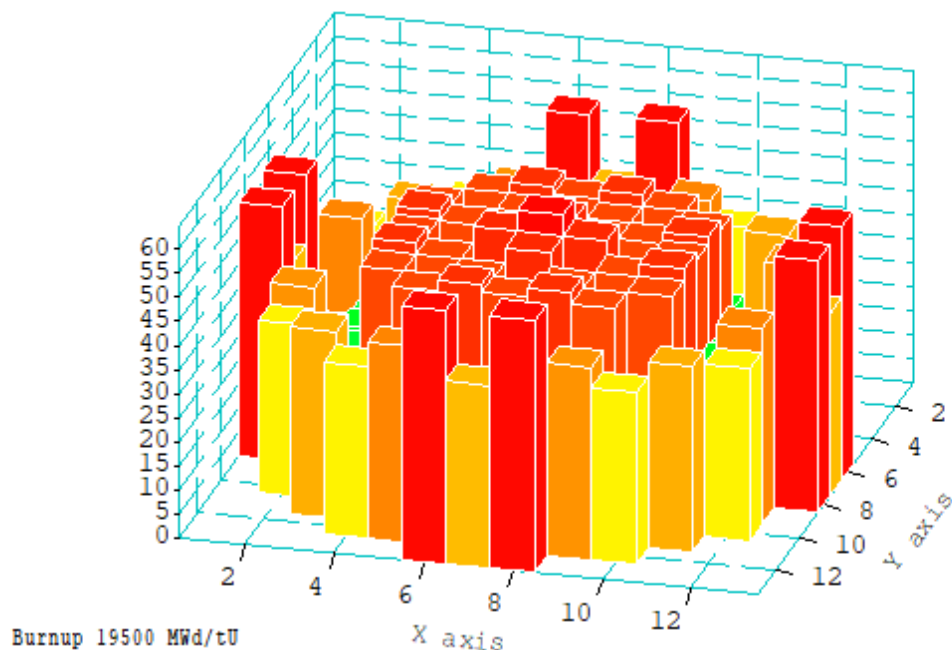
početku gorivnog ciklusa (odgor je 150 MWd/tU), a Slika 6-3 na kraju gorivnog ciklusa (odgor je 19500 MWd/tU).



Slika 6-1 Raspored gorivnih elemenata u NEK jezgri za 29. gorivni ciklus



Slika 6-2 PARCS 3D raspodjela odgora na početku 29. NEK gorivnog ciklusa (150 MWd/tU)



Slika 6-3 PARCS 3D raspodjela odgora na kraju 29. NEK gorivnog ciklusa (19500 MWd/tU)

ORIGEN2 program se koristi kako bi se izračunao sadržaj radioaktivnih izotopa, ostatna toplina, radioaktivnost te gama i neutronske izvori. ORIGEN2 pred-procesor se koristi za automatsku pripremu ulaznih podataka prilikom čega koristi podatke iz PARCS proračuna odgora svakog pojedinog gorivnog elementa koristeći formulu:

$$P_{sf,n} = \frac{\Delta burnup_{i,n} \left[\frac{MWd}{MTIHM} \right] \cdot m_{u,i} [MTIHM]}{t_n [d]} \quad (6.1)$$

Zatim se računa depletion/decay koristeći ORIGEN2 jednadžbe transformacije izotopa:

$$N_i(t) = N_i(0) \cdot e^{-\lambda_i t} + \sum_{j \neq i}^M N_{j \rightarrow i}(t) \quad (6.2)$$

$$N_n(t) = \frac{N_1(0)}{\lambda_n} \sum_{i=1}^n \lambda_i \alpha_i e^{\lambda_i t} \quad (6.3)$$

$$\alpha_i = \prod_{j=1, j \neq i}^n \frac{\lambda_j}{(\lambda_j - \lambda_i)} \quad (6.4)$$

Post-procesor se koristi za lakšu sistematizaciju izlaznih datoteka koje se dobiju proračunom. Postoje tri grupe izotopa: aktinidi, aktivacijski i fisijski produkti. Fisijski produkti su organizirani kao elementi i izotopi kako bi se dobila masa, radioaktivnost, ostatna toplina, te gama i neutronske izvori. Fisijski produkti nastaju neposredno po fisiji i imaju najveći utjecaj u početku. Aktivacijski produkti su lakši nuklidi koji nastaju apsorpcijom neutrona u nečistoćama goriva. Aktinidi su teži nuklidi (npr. Pu, Am) koji tek nakon određenog vremena imaju veći utjecaj.

Poseban post-procesor se koristi za pripremu sadržaja izotopskog sastava (aktivnost izotopa, mase elemenata) za MAAP i RADTRAD program. MAAP program povezuje termohidrauliku s oslobađanjem fisijskih produkata i njihovim prijenosom. Tablica 6-1 prikazuje grupe fisijskih produkata koje MAAP program koristi pri opisivanju teških nuklearnih nesreća. RADTRAD program služi za procjenu prijenosa i uklanjanja radionuklida iz atmosfere i vode, te određivanje doza na izabranim mjestima.

Tablica 6-1 Grupe fisijskih produkata u MAAP programu za opisivanje teške nuklearne nesreće

Grupa 1 vapor (V)	Plemeniti (Xe + Kr)
Grupa 1 aerosol (A)	Svi neradioaktivni inertni aerosoli
Grupa 2 V & A	CsI + RbI
Grupa 3 V & A	TeO ₂
Grupa 4 V & A	SrO
Grupa 5 V & A	MoO ₂ , TcO ₂ , RhO ₂
Grupa 6 V & A	CsOH + RbOH
Grupa 7 V & A	BaO
Grupa 8 V & A	La ₂ O ₃ + Pr ₂ O ₃ + Nd ₂ O ₃ + Sm ₂ O ₃ + Y ₂ O ₃ , ZrO ₂ , NbO ₂ , AmO ₂ , CmO ₂
Grupa 9 V & A	CeO ₂ + NpO ₂
Grupa 10 V & A	Sb
Grupa 11 V & A	Te ₂

Grupa 12 V & A	UO ₂
Grupa 13	Ag
Grupa 14 V	I ₂
Grupa 15 V	CH ₃ I
Grupa 16 V & A	Cs ₂ MoO ₄
Grupa 17 V & A	RuO ₂
Grupa 18 V & A	PuO ₂

Koraci za izračun radioaktivnog sadržaja jezgre su:

1. Priprema radioaktivnog sadržaja jezgre u obliku koji koriste nuklearni računalni programi za teške nuklearne nesreće (bitni izotopi, grupe formirane po kriteriju zajedničkog transporta, aproksimativna vremenska ovisnost pojedine grupe).
2. Pretvorba transportnog materijala iz grupne strukture u izotopski sastav (aktivnosti) koji je nužan za određivanje doza (za volumni izvor i za radioaktivni materijal u koji je uronjena oprema).

Problem je što različiti nuklearni računalni programi za određivanje radioaktivnog sadržaja jezgre traže rezultate u različitom obliku i samo za određene izotope. MAAP očekuje podatke kao aktivnosti u Ci za 65 različita izotopa, a RADTRAD u Ci/MWt za 60 različitih izotopa

6.2. Rezultati i analiza rezultata razvijenih modela izračuna radioaktivnog sadržaja jezgre i izotopskog sastava radioaktivnog izvora

Slika 6-4 prikazuje MAAP AST radioaktivni sadržaj jezgre u trenutku gašenja reaktora, odnosno aktivnosti (Ci) 65 izotopa na kraju gorivnog ciklusa za 27., 28. i 29. gorivni ciklus nuklearne elektrane Krško. Aktivnosti navedenih izotopa je moguće izračunati za proizvoljni trenutak gorivnog ciklusa (konzervativno kraj ciklusa). Slika 6-5 prikazuje ORIGEN2 i MAAP izotopski sadržaj jezgre, odnosno masu i aktivnost za različite izotope kriptona (Kr). Slika 6-6 prikazuje RATRAD radioaktivni sadržaj jezgre u Ci/MWt na kraju 28. gorivnog ciklusa nuklearne elektrane Krško.

			C27	C28	C29
isotope no	1	: KR 85 value is	520171.5	520707.5	524745.9
isotope no	2	: KR 85M value is	0.1498336E+08	0.1521951E+08	0.1520713E+08
isotope no	3	: KR 87 value is	0.2901139E+08	0.2945319E+08	0.2943267E+08
isotope no	4	: KR 88 value is	0.4087067E+08	0.4149112E+08	0.4146220E+08
isotope no	5	: XE131M value is	591929.8	593614.1	596014.4
isotope no	6	: XE133 value is	0.1040027E+09	0.1075774E+09	0.1052319E+09
isotope no	7	: XE133M value is	3074410.	3370923.	3163163.
isotope no	8	: XE135 value is	0.2791422E+08	0.2793501E+08	0.2799284E+08
isotope no	9	: XE135M value is	0.2100783E+08	0.2143787E+08	0.2139732E+08
isotope no	10	: XE138 value is	0.9110478E+08	0.9278521E+08	0.9265628E+08
isotope no	11	: I131 value is	0.5293886E+08	0.5344533E+08	0.5328615E+08
isotope no	12	: I132 value is	0.7646938E+08	0.7820174E+08	0.7758126E+08
isotope no	13	: I133 value is	0.1089912E+09	0.1104552E+09	0.1108714E+09
isotope no	14	: I134 value is	0.1198459E+09	0.1221431E+09	0.1219520E+09
isotope no	15	: I135 value is	0.1016622E+09	0.1036409E+09	0.1034691E+09
isotope no	16	: CS134 value is	8100214.	8211168.	8314508.
isotope no	17	: CS136 value is	2613131.	2647152.	2669265.
isotope no	18	: CS137 value is	5345860.	5371182.	5417556.
isotope no	19	: RB 86 value is	107048.4	108252.3	109370.0
isotope no	20	: RB 88 value is	0.4148425E+08	0.4211710E+08	0.4208784E+08
isotope no	21	: RB 89 value is	0.5334850E+08	0.5415202E+08	0.5411610E+08
isotope no	22	: Y 90 value is	4251015.	4258458.	4293483.
isotope no	23	: Y 91 value is	0.7149228E+08	0.7135879E+08	0.7144807E+08
isotope no	24	: Y 92 value is	0.7354084E+08	0.7473803E+08	0.7466714E+08
isotope no	25	: Y 93 value is	0.8391542E+08	0.8537906E+08	0.8524572E+08
isotope no	26	: ZR 95 value is	0.9311774E+08	0.9310887E+08	0.9318614E+08
isotope no	27	: ZR 97 value is	0.9046394E+08	0.9214810E+08	0.9202740E+08
isotope no	28	: NB 95 value is	0.9366908E+08	0.9351273E+08	0.9355737E+08
isotope no	29	: MO 99 value is	0.1004054E+09	0.1020079E+09	0.1021298E+09
isotope no	30	: TE127 value is	5434436.	5656210.	5480388.
isotope no	31	: TE127M value is	697372.1	699458.1	699248.2
isotope no	32	: TE129 value is	0.1628303E+08	0.1661478E+08	0.1657857E+08
isotope no	33	: TE129M value is	2428630.	2440888.	2440790.
isotope no	34	: TE131M value is	7502142.	7650792.	7679834.
isotope no	35	: TE132 value is	0.7506917E+08	0.7622121E+08	0.7630412E+08
isotope no	36	: TE134 value is	0.9220405E+08	0.9385202E+08	0.9373302E+08
isotope no	37	: SB127 value is	5404012.	5498407.	5503466.
isotope no	38	: SB129 value is	0.1653634E+08	0.1690039E+08	0.1685964E+08
isotope no	39	: SR 89 value is	0.5606305E+08	0.5595125E+08	0.5603235E+08
isotope no	40	: SR 90 value is	4093977.	4097837.	4131076.
isotope no	41	: SR 91 value is	0.6831599E+08	0.6940594E+08	0.6933222E+08
isotope no	42	: SR 92 value is	0.7324207E+08	0.7443243E+08	0.7436236E+08
isotope no	43	: BA139 value is	0.9809754E+08	0.9994314E+08	0.9979550E+08
isotope no	44	: BA140 value is	0.9527527E+08	0.9581531E+08	0.9598611E+08
isotope no	45	: RU103 value is	0.7790748E+08	0.7831671E+08	0.7831919E+08
isotope no	46	: RU105 value is	0.5054820E+08	0.5185105E+08	0.5169680E+08
isotope no	47	: RU106 value is	0.2247923E+08	0.2269312E+08	0.2277230E+08
isotope no	48	: RH105 value is	0.4519338E+08	0.4559042E+08	0.4643525E+08
isotope no	49	: TC 99M value is	0.8869087E+08	0.9204519E+08	0.8976137E+08
isotope no	50	: CE141 value is	0.9072406E+08	0.9090987E+08	0.9100380E+08
isotope no	51	: CE143 value is	0.8415030E+08	0.8552840E+08	0.8558574E+08
isotope no	52	: CE144 value is	0.6640406E+08	0.6616176E+08	0.6634290E+08
isotope no	53	: PU238 value is	135413.7	138637.2	141289.0
isotope no	54	: PU239 value is	17643.93	17692.44	17732.78
isotope no	55	: PU240 value is	22385.16	22622.81	22798.68
isotope no	56	: PU241 value is	5355599.	5424096.	5434228.
isotope no	57	: NP239 value is	0.9955558E+09	0.1016936E+10	0.1014476E+10
isotope no	58	: LA140 value is	0.9796410E+08	0.9840705E+08	0.9862507E+08
isotope no	59	: LA141 value is	0.8962767E+08	0.9130798E+08	0.9117287E+08
isotope no	60	: LA142 value is	0.8700290E+08	0.8861234E+08	0.8848649E+08
isotope no	61	: ND147 value is	0.3589255E+08	0.3613177E+08	0.3620120E+08
isotope no	62	: PR143 value is	0.8475665E+08	0.8503933E+08	0.8521966E+08
isotope no	63	: AM241 value is	5685.771	5812.345	5894.213
isotope no	64	: CM242 value is	1195870.	1236393.	1258511.
isotope no	65	: CM244 value is	92334.48	96631.28	100879.3

Slika 6-4 NEK MAAP AST radioaktivni sadržaj jezgre u trenutku gašenja reaktora, aktivnosti (Ci) na kraju 27., 28. i 29. gorivnog ciklusa

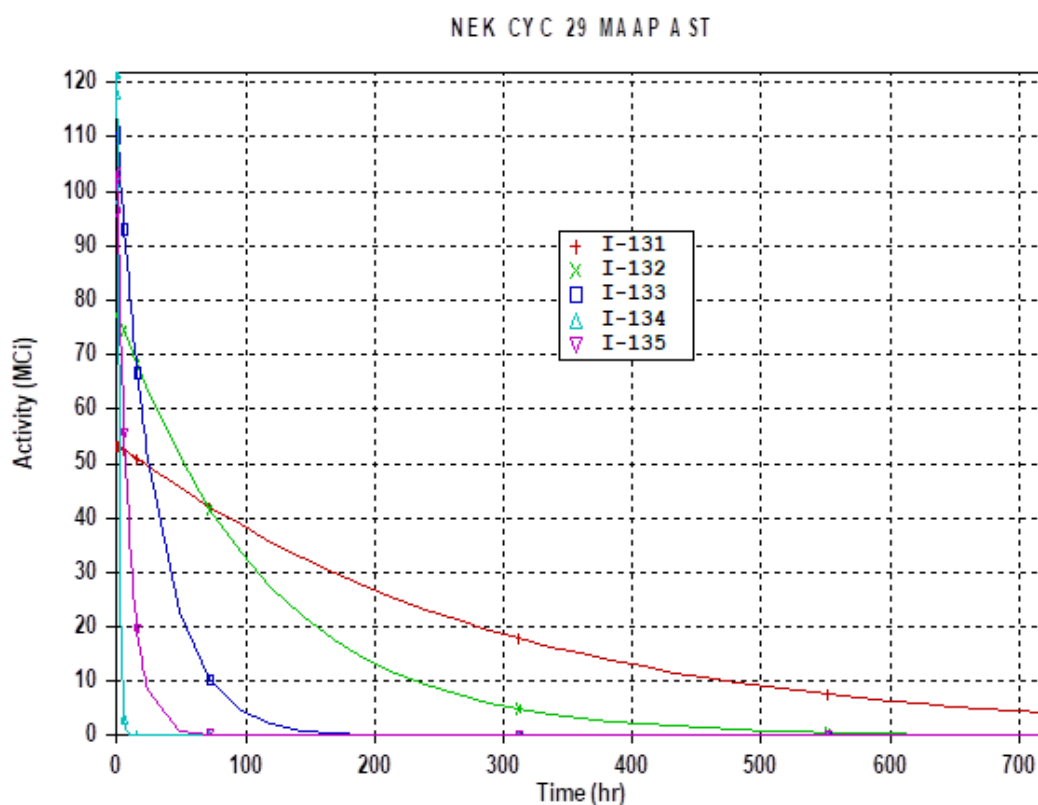
origen2					
	mass [g]	(%)		act [Ci]	(%)
KR 79	2.9446442E-11	1.4189E-13	KR 79	3.3484026E-05	1.3652E-11
KR 80	9.8217661E-03	4.7327E-05	KR 80	0.0000000E+00	0.0000E+00
KR 81	9.3405083E-04	4.5008E-06	KR 81	1.9651270E-05	8.0124E-12
KR 81M	1.4244601E-10	6.8639E-13	KR 81M	1.4923598E+00	5.7758E-07
KR 82	5.1965355E+01	2.5040E-01	KR 82	0.0000000E+00	0.0000E+00
KR 83	2.3687988E+03	1.1414E+01	KR 83	0.0000000E+00	0.0000E+00
KR 83M	3.4194410E-01	1.6477E-03	KR 83M	7.0580270E+06	2.8778E+00
KR 84	6.2139897E+03	2.9943E+01	KR 84	0.0000000E+00	0.0000E+00
KR 85	1.3459462E+03	6.4856E+00	KR 85	5.2828306E+05	2.1540E-01
KR 85M	1.8476698E+00	8.9031E-03	KR 85M	1.5210061E+07	6.2016E+00
KR 86	1.0765412E+04	5.1874E+01	KR 86	0.0000000E+00	0.0000E+00
KR 87	1.0396829E+00	5.0098E-03	KR 87	2.9462240E+07	1.2012E+01
KR 88	3.3074877E+00	1.5937E-02	KR 88	4.1507304E+07	1.6923E+01
KR 89	7.6524727E-02	3.6874E-04	KR 89	5.1022432E+07	2.0754E+01
KR 90	1.3013041E-02	6.2704E-05	KR 90	5.0492264E+07	2.0229E+01
KR 91	2.6283786E-03	1.2665E-05	KR 91	3.7470300E+07	1.4181E+01
KR 92	2.6804497E-04	1.2916E-06	KR 92	1.7871536E+07	5.0128E+00
KR 93	6.7459856E-05	3.2506E-07	KR 93	6.4464205E+06	1.5259E+00
KR 94	4.2848174E-06	2.0647E-08	KR 94	2.4498815E+06	3.6910E-02
KR 95	1.1181353E-06	5.3878E-09	KR 95	2.6568109E+05	2.7094E-02
KR 96	1.5585456E-07	7.5100E-10	KR 96	4.1606473E+04	3.5160E-03
KR 97	2.9224696E-09	1.4082E-11	KR 97	2.2898745E+03	8.7712E-06
KR 98	5.2050680E-10	2.5081E-12	KR 98	2.6725815E+02	4.9570E-06
KR	2.0752750E+04	9.9999E+01	KR	2.5982859E+08	1.0000E+02
maap					
KR 85	1.3459462E+03	6.4856E+00	KR 85	5.2828306E+05	2.1540E-01
KR 85M	1.8476698E+00	8.9031E-03	KR 85M	1.5210061E+07	6.2016E+00
KR 87	1.0396829E+00	5.0098E-03	KR 87	2.9462240E+07	1.2012E+01
KR 88	3.3074877E+00	1.5937E-02	KR 88	4.1507304E+07	1.6923E+01
KR	1.3521E+03	6.5154E+00	KR	8.6708E+07	3.5352E+01

Slika 6-5 NEK ORIGEN2 i MAAP izotopski sadržaj jezgre, masa i aktivnost Kr izotopa

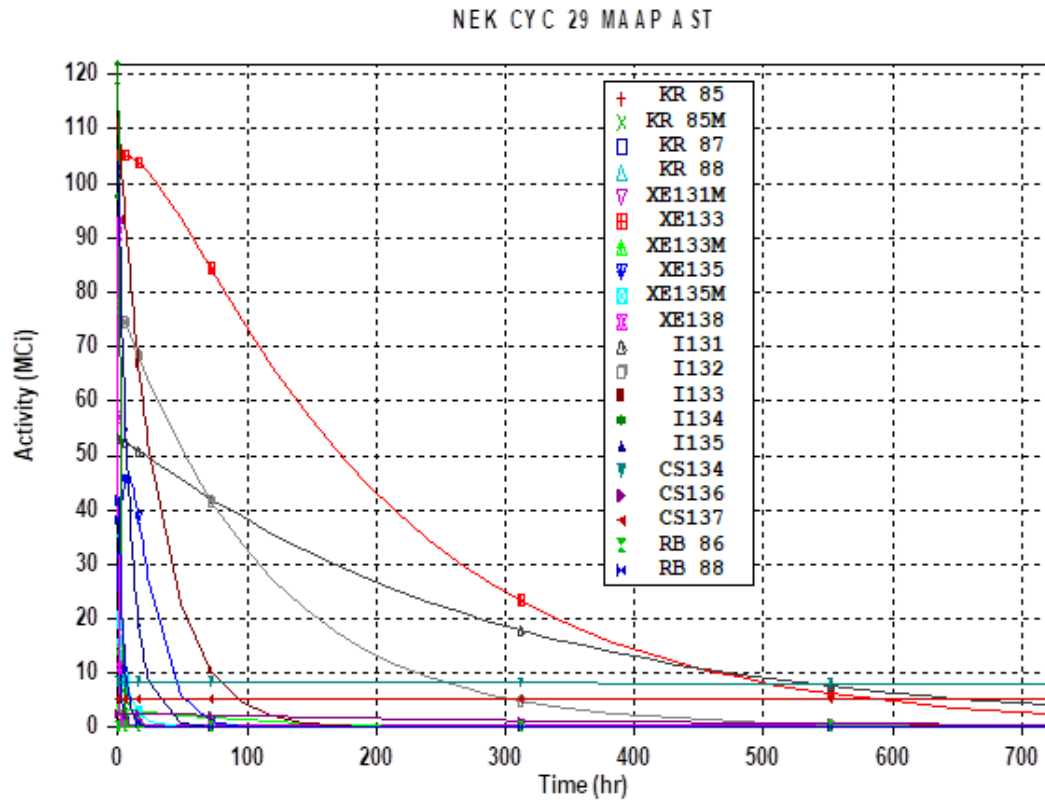
Nuclide	Group	Specific	half				
Name		Inventory	life				
		(Ci/MWt)	(s)				
				Te-129m	4	2.429E+06	2.903E+06
				Te-131m	4	7.585E+06	1.080E+05
				Te-132	4	7.585E+07	2.815E+05
Co-58	7	9.397E+02	6.117E+06	I-131	2	5.327E+07	6.947E+05
Co-60	7	6.574E+03	1.663E+08	I-132	2	7.713E+07	8.280E+03
Kr-85	1	5.283E+05	3.383E+08	I-133	2	1.103E+08	7.488E+04
Kr-85m	1	1.521E+07	1.613E+04	I-134	2	1.213E+08	3.156E+03
Kr-87	1	2.946E+07	4.578E+03	I-135	2	1.029E+08	2.380E+04
Kr-88	1	4.151E+07	1.022E+04	Xe-133	1	1.048E+08	4.532E+05
Rb-86	3	1.080E+05	1.612E+06	Xe-135	1	2.818E+07	3.272E+04
Sr-89	5	5.635E+07	4.363E+06	Cs-134	3	8.311E+06	6.507E+07
Sr-90	5	4.161E+06	9.190E+08	Cs-136	3	2.636E+06	1.132E+06
Sr-91	5	6.936E+07	3.420E+04	Cs-137	3	5.433E+06	9.467E+08
Sr-92	5	7.432E+07	9.756E+03	Ba-139	6	9.935E+07	4.962E+03
Y-90	9	4.321E+06	2.304E+05	Ba-140	6	9.581E+07	1.101E+06
Y-91	9	7.180E+07	5.055E+06	La-140	9	9.844E+07	1.450E+05
Y-92	9	7.462E+07	1.274E+04	La-141	9	9.077E+07	1.415E+04
Y-93	9	8.510E+07	3.636E+04	La-142	9	8.813E+07	5.550E+03
Zr-95	9	9.334E+07	5.528E+06	Ce-141	8	9.099E+07	2.808E+06
Zr-97	9	9.161E+07	6.084E+04	Ce-143	8	8.529E+07	1.188E+05
Nb-95	9	9.377E+07	3.037E+06	Ce-144	8	6.661E+07	2.456E+07
Mo-99	7	1.016E+08	2.376E+05	Pr-143	9	8.520E+07	1.172E+06
Tc-99m	7	8.931E+07	2.167E+04	Nd-147	9	3.611E+07	9.487E+05
Ru-103	7	7.786E+07	3.394E+06	Np-239	8	9.981E+08	2.035E+05
Ru-105	7	5.092E+07	1.598E+04	Pu-238	8	1.416E+05	2.769E+09
Ru-106	7	2.253E+07	3.181E+07	Pu-239	8	1.767E+04	7.594E+11
Rh-105	7	4.576E+07	1.273E+05	Pu-240	8	2.268E+04	2.063E+11
Sb-127	4	5.441E+06	3.326E+05	Pu-241	8	5.354E+06	4.544E+08
Sb-129	4	1.670E+07	1.555E+04	Am-241	9	5.776E+03	1.364E+10
Te-127	4	5.426E+06	3.366E+04	Cm-242	9	1.211E+06	1.407E+07
Te-127m	4	6.945E+05	9.418E+06	Cm-244	9	9.881E+04	5.715E+08
Te-129	4	1.643E+07	4.176E+03				

Slika 6-6 NEK RADTRAD radioaktivni sadržaj jezgre (Ci/MWt) na kraju 28. gorivnog ciklusa

Slika 6-7 prikazuje aktivnosti različitih izotopa joda 30 dana nakon završetka 29. gorivnog ciklusa nuklearne elektrane Krško. Aktivnost nekih izotopa joda se brzo smanjuje ovisno o konstantama radioaktivnog raspada pojedinog izotopa. Za prikaz su odabrani su izotopi joda jer je jod jedan od najbitnijih fisijskih produkata uranija koji ima utjecaj na čovjeka. Usporedbom aktivnosti izotopa joda za različite gorive cikluse, odnosno 30 dana nakon završetka 27., 28. i 29. gorivnog ciklusa je pokazano da se vremenske ovisnosti aktivnosti izotopa joda malo ovise izabranom (ravnotežnom) gorivnom ciklusom. Slika 6-8 prikazuje MAAP aktivnosti različitih izotopa na kraju 29. gorivnog ciklusa nuklearne elektrane Krško (na slici je prikazano prvih 20 izotopa od ukupno 65 koji postoje u MAAP programu). Aktivnosti pojedinih izotopa se smanjuju različitim brzinom, što je i očekivano jer imaju različite konstante radioaktivnog raspada.



Slika 6-7 NEK MAAP AST, aktivnost izotopa joda 30 dana nakon 29. gorivnog ciklusa



Slika 6-8 NEK MAAP AST, aktivnost različitih izotopa nakon 29. gorivnog ciklusa

7. ZAKLJUČAK

Područje opstojnosti električne opreme je tema od rastućeg značaja nakon nesreće u nuklearnoj elektrani Fukushima Daiichi. Nuklearna nesreća u Fukushimi je pokazala da su teške nuklearne nesreće moguće i da uzrokuju velike posljedice za nuklearnu elektranu i njenu okolinu. Stoga je potrebno poduzeti odgovarajuće mjere da se spriječi nuklearna nesreća ili smanje posljedice nuklearne nesreće ako je nesreća neizbježna. Kako bi se spriječile i ograničile posljedice oslobađanja radioaktivnog materijala u slučaju teške nesreće, imperativ je izbor opreme koji osigurava njezino preživljavanje i funkcionalnost u tom scenariju. Kako bi se odabrala odgovarajuća oprema, potrebno je poznavati okolišne uvjete na lokaciji gdje je ta oprema smještena. U disertaciji je razvijena metodologija za proračun okolišnih uvjeta bitnih za funkcionalnost električne opreme nakon teške nuklearne nesreće.

Prvi korak metodologije proračuna okolišnih uvjeta je definiranje teških nuklearnih nesreća koji uzrokuju najgore posljedice. Zatim su definiraju lokacije na kojima se nalazi oprema koja treba raditi tijekom i nakon teške nuklearne nesreće, te lokacije kojima bi trebalo pristupiti osoblje tijekom i nakon teške nuklearne nesreće. Nakon toga je moguće odrediti termohidrauličke uvjete (tlak, temperatura i relativna vlažnost) i doze (brzine doza i ukupne doze) na pojedinim lokacijama u nuklearnoj elektrani. Određeni su termohidraulički uvjeti za tešku nuklearnu nesreću gubitka električnog napajanja, što je ograničavajući scenarij jer uzrokuje najteže posljedice. Funkcionalnost dijela opreme je zahtijevana godinu dana nakon teške nuklearne nesreće. Zato je promatrano maksimalno vrijeme od jedne godine, dok se za prostor glavne i pomoćne kontrolne sobe promatra razdoblje od 30 dana.

Metodologija proračuna okolišnih uvjeta na jednom mjestu objedinjuje sve scenarije teških nesreća i modelira specifičnosti zgrada i soba u nuklearnoj elektrani. Kad su ti podaci poznati, metodologija je sustavna i ponovljiva i može se primijeniti na bilo koju nuklearnu elektranu korištenjem ekvivalentnih računalnih programa. U disertaciji je metodologija proračuna okolišnih uvjeta, u cilju ilustracije njenih osnovnih dijelova, primijenjena na konkretan program dokazivanja izdržljivosti opreme u nuklearnoj elektrani Krško.

U sklopu metodologije su razvijena i dva modela koja su bila potrebna za njenu implementaciju. Prvi je model radijativne izmjene topline između čeličnog kontejnmenta i okolnih zgrada/prostorija, a drugi je model za određivanje realističnog radioaktivnog inventara

jezgre i odgovarajućih aktivnosti i neutronske i gama izvora potrebnih za računanje doza na opremu.

U disertaciji je opisan unaprijeđeni postojeći model toplinske veze reaktorske zgrade i susjednih zgrada. Prethodno je korišten samo konvektivni prijenos topline između reaktorske zgrade, odnosno anulusa i susjednih zgrada za određivanje okolišnih uvjeta u kontejnmentu. Na taj način su dobivene više temperature u kontejnmentu što je konzervativnije za kontejnment. Za zgrade susjedne reaktorskoj zgradi je konzervativnije da su temperature u njima što više. Zato je za određivanje okolišnih uvjeta u zgradama susjednim reaktorskoj zgradi uzet u obzir i radijativni prijenos topline između anulusa i susjednih zgrada. Razvijen je model numeričkog računanja vidnih faktora u modelu radijativne izmjene koji može biti primijenjen u realističnijem modelu radijativnog i konvektivnog prijenosa topline između anulusa i susjednih zgrada i implementiran u GOTHIC modelu. Korišten model je očekivano rezultirao višim temperaturama u sobama susjednim reaktorskoj zgradi. Model se može koristiti i za modeliranje lokalne radijativne izmjene između komponenata i cijevi s fluidom i rastaljenim materijalom i električnih kabela ili druge električne opreme za potrebe hot spot analiza.

Dodatno je unaprijeđen postojeći model za određivanje izotopskog sastava, aktivnosti i neutronske i gama radioaktivnog izvora. Novi model predviđa računanje realističnog radioaktivnog inventara na osnovi stvarne pogonske povijesti goriva i u svom inicijalnom dijelu uključuje korištenje programa PARCS koji daje 3D raspodjelu snage/odgora jezgre i ORIGEN2 koji računa vremenski ovisni izotopski sastav, ostatnu toplinu, aktivnosti i neutronske i gama izvor za svaki gorivni element, u formatu potrebnom u programima za analizu teških nesreća i radioloških posljedica (MAAP, MELCOR i RADTRAD program).

Očekivana buduća istraživanja u ovom području bi trebala ići u smjeru smanjenja neodređenosti u pojedinim proračunima metodologije i dodavanja dijelova koji uzimaju u obzir specifičnosti i lokalne uvjete u izabranim prostorijama ili specifičnu opremu. Jedna od mogućih ekstenzija je i mogućnost proračuna radioloških posljedica u okolišu van elektrane.

POPIS LITERATURE

- [1] J.H. Choi, T.M. Kim, B.J. Moon, J.T. Seo I Y.H. Kim, “Containment Pressure and Temperature Envelopes for a CANDU Reactor Equipment Environmental Qualification”, *Nuclear Engineering and Design*, Vol. 236, No. 23, 2006., str. 2444–2451., doi:10.1016/j.nucengdes.2006.03.005
- [2] Z. Kaiyun, “Qualification of Electric Penetration Assemblies for CAP Series Nuclear Power Plant”, *Energy Procedia*, Vol. 127, 2017., str. 68–75., doi:10.1016/j.egypro.2017.08.070
- [3] IAEA, TECDOC-1818, “Assessment of Equipment Capability to Perform Reliably under Severe Accident Conditions”, 2017.
- [4] J.L. Rempe, D.L. Knudson, R.J. Lutz, “Scoping Study Investigating PWR Instrumentation during a Severe Accident Scenario”, 1. rujana 2015.
- [5] W. Lu, B. Zhao, “Preliminary Evaluation of the Effect of Several Management Measures for the Station Blackout Severe Accident of the Pressurized Water Reactor Nuclear Power Plant”, *Proceedings of International Conference on Information Systems for Crisis Response and Management (ISCRAM)*, 2011., doi:10.1109/isgram.2011.6184040
- [6] M.A. Bakar, M.S. Sarwar, “Safety Assessment of Severe Accident Mitigating System ‘Passive Residual Heat Removal System of Secondary Side’ in K-2/K-3 NPP”, 2016 *International Conference on Emerging Technologies (ICET)*, 2016., doi:10.1109/icet.2016.7813220
- [7] O. Gokhale, M. Kumar, A.J. Gaikwad, R. Kumar, D. Mukhopadhyay, H.G. Lele, K.K. Vaze, “Severe Accident Analysis to Evolve Insight for Severe Accident Management Guidelines for Large Pressurized Heavy Water Reactor”, *2nd International Conference on Reliability, Safety and Hazard - Risk-Based Technologies and Physics-of-Failure Methods (ICRESH)*, 2010., doi:10.1109/icresh.2010.5779560
- [8] B. Chatterjee, D. Mukhopadhyay, H.G. Lele, B. Atanasova, P. Groudev, “Verification of Severe Accident Management Strategies for VVER 1000 (V320) Reactor”, *2nd International Conference on Reliability, Safety and Hazard - Risk-Based Technologies and Physics-of-Failure Methods (ICRESH)*, 2010., doi:10.1109/icresh.2010.5779561

- [9] J. Rajzrova, J. Jirickova, "Severe Accidents Management in PWRs", *Proceedings of the 2014 15th International Scientific Conference on Electric Power Engineering (EPE)*, 2014., doi:10.1109/epe.2014.6839487
- [10] P. Darnowski, K. Potapczyk, M. Gatkowski, G. Niewinski, "Development of One-Way-Coupling Methodology between Severe Accident Integral Code MELCOR and Monte Carlo Neutron Transport Code SERPENT", *Procedia Engineering*, Vol. 157, 2016., str. 207–213., doi:10.1016/j.proeng.2016.08.358
- [11] P. Dietrich, F. Kretzschmar, A. Miassoedov, A. Class, W. Villanueva, S. Bechta, "Extension of the MELCOR Code for Analysis of Late in-Vessel Phase of a Severe Accident", *5th International Youth Conference on Energy (IYCE)*, 2015., doi:10.1109/iyce.2015.7180747
- [12] K. Ouyang, W. Chen, Z. He, "Analysis of Dose Rate around Molten Corium Deposited on the Seabed after a Severe Bottom of the Ship Melt-through Nuclear Accident", *3rd IEEE International Conference on Computer and Communications (ICCC)*, 2017., doi:10.1109/compcomm.2017.8323074
- [13] G. Feng, C. Xinrong, "Simulation Research on Radionuclide Transport Under Severe Accident", *Asia-Pacific Power and Energy Engineering Conference*, 2009., doi:10.1109/appeec.2009.4918763
- [14] Z. Liu, W. Xu, Q. Zhiguo, L. Bangqi, "The off-Site Severe Accident Consequence Analysis in the Nuclear Power Plant", *Chinese Control and Decision Conference (CCDC)*, 2016., doi:10.1109/ccdc.2016.7531828
- [15] L. Lovasz, I. Boros, "Heat Removal Possibilities of Nuclear Containments during a Severe Accident", *4th International Youth Conference on Energy (IYCE)*, 2013., doi:10.1109/iyce.2013.6604167
- [16] L.R. Bishnoi, S.K. Gupta, "Issues on Containment Integrity during Severe Accidents", *2nd International Conference on Reliability, Safety and Hazard - Risk-Based Technologies and Physics-of-Failure Methods (ICRESH)*, 2010., doi:10.1109/ICRESH.2010.5779564
- [17] L.B. Chul, J.J. Hwan, N.M. Gyun, K.S. Pyung, K.H. Taek, "A Determination of Severe Accident Environmental Conditions Utilizing Accident Management Strategy for

- Equipment Survivability Assessments”, *Transactions of the 17th International Conference on Structural Mechanics in Reactor Technology (SMiRT 17)*, 2003.
- [18] M.R. Seo, “Development of MAAP5.0.3 Dose Model for Radiation Environment Effect Analysis”, *Transactions of the Korean Nuclear Society Autumn Meeting*, 2015.
- [19] Y.H. Seo, W.S. Jeong, Y.T. Moon, “Equipment Survivability Assessment in APR1400”, *Transactions of the Korean Nuclear Society Spring Meeting*, 2012.
- [20] J. Yan, S. Xue, L. Tian, W. Lu, “Study of Equipment Survivability under Severe Accident conditions”, *Proceedings of the 2016 24th International Conference on Nuclear Engineering (ICONE24)*, 2016.
- [21] X. Yu, G. Wang, “Consideration on the Usability of Equipment for Severe Accident Conditions”, *Proceedings of The 20th Pacific Basin Nuclear Conference*, Volume 1, 2017.
- [22] R. Kyungha, S. Inyoung, L. Taehyun, L. Sanghyuk, K. Youngjoong, K.J. Hyun, “Survivability Assessment of Viton in Safety-Related Equipment under Simulated Severe Accident Environments” *Nuclear Engineering and Technology*, Vol. 50, No. 5, 2018., str. 683–689., doi:10.1016/j.net.2018.02.009
- [23] D. Grgić, Š. Vlahović, R. Ječmenica, I. Bašić, “Calculation of Radioactive Inventory for Severe Accident and Consequence Codes”, *12th International Conference of the Croatian Nuclear Society Conference Proceedings*, 2018.
- [24] U.S. NRC, NUREG/KM-0009, “Historical Review and Observations of Defense-in-Depth”, travanj 2016
- [25] IAEA, INSAG-10, “Defence in Depth in Nuclear Safety”, 1996.
- [26] IAEA, NS-G-2.15, “Severe Accident Management Programmes for Nuclear Power Plants”, 2009.
- [27] U.S NRC, 10CFR50.49, “Environmental qualification of electric equipment important to safety for nuclear power plants”, preuzeto s: <https://www.nrc.gov/reading-rm/doc-collections/cfr/part050/part050-0049.html>, 19.09.2023
- [28] U.S. NRC, Regulatory Guide 1.89, “Environmental Qualification of certain electric equipment important to safety for nuclear power plants”, lipanj 1984

-
- [29] U.S. NRC, NUREG-0588, “Interim Staff Position on Environmental Qualification of Safety-Related Electrical Equipment”, srpanj 1980
- [30] IEEE 323, “IEEE Standard for Qualifying Class 1E Equipment for Nuclear Power Generating Stations”, rujan 2003
- [31] J. Cerjak, P. Klenovšek, J. Pavšek, S. Špalj, G. Čolović, “Environmental Qualification Program for Krsko NPP”
- [32] D. Grgić, S. Špalj, T. Fancev, “Development of NEK Environmental Qualification Zone Maps and Conditions”, FER-ZVNE/SA/EQ-TR06/07-3, 2011.
- [33] D. Grgić, S. Špalj, T. Bajš, T. Fancev, “Support Calculation for Development of NEK Equipment Qualification (EQ) Zone Maps and Conditions”, FER-ZVNE/SA/EQ-CN01/07-4, 2011.
- [34] IAEA, SSG-25, “Periodic Safety Review for Nuclear Power Plants”, 2013
- [35] U.S. NRC, TID-14844 “Calculation of Distance Factors for Power and Test Reactor Sites”, ožujak 1962.
- [36] U.S. NRC, “NUREG-1465: Accident Source Terms for Light- Water Nuclear Power Plants”, veljača 1995.
- [37] NEK, “NEK – Technical Specification”, Rev 183, travanj 2021.
- [38] NEK, USAR, “Updated Safety Analysis Report”, Rev 26
- [39] U.S. NRC, “Generic Letter No. 88-20: Individual Plant Examination for Severe Accident Vulnerabilities – 10 CFR 50.54 (f)”, 1988.
- [40] NEI, “Diverse and Flexible Coping Strategies (FLEX) Implementation Guide”, Rev 4, prosinac 2016.
- [41] STR-NEK-12-04, “NEK SUP equipment under DEC survivability concept”, NEK, Rev 1
- [42] NEI, “Industry Guidance for Compliance with NRC Order EA-12-051 to Modify Licenses with Regard to Reliable Spent Fuel Pool Instrumentation”, Rev 1, kolovoz 2012.
- [43] EPRI, “MAAP4: Code Structure and Theory”
- [44] EPRI, “MAAP4: User Guidance”
- [45] EPRI, “MAAP4 Applications Guidance”, srpanj 2010.

- [46] SNL, "MELCOR Computer Code Manuals, Vol. 1: Primer and User's Guide Version 1.8.6", rujan 2005.
- [47] SNL, "MELCOR Computer Code Manuals, Vol. 2: Reference Manual Version 1.8.6", rujan 2005.
- [48] EPRI, "GOTHIC: Installation and Operations Manual, Version 8.2", listopad 2016.
- [49] EPRI, "GOTHIC: Technical Manual, Version 8.2", listopad 2016.
- [50] EPRI, "GOTHIC: User Manual, Version 8.2", listopad 2016.
- [51] U.S. NRC, "PARCS v3.0 Theory Manual", siječanj 2012.
- [52] U.S. NRC, "PARCS v3.0 User Manual", svibanj 2013.
- [53] ORNL, "SCALE Code System", ožujak 2018
- [54] ORNL, "OrigenArp Primer: How to Perform Isotopic Depletion and Decay Calculations with SCALE/ORIGEN", travanj 2010
- [55] SNL, "RADTRAD: A Simplified Model for RADionuclide Transport and Removal And Dose Estimation", travanj 1998.
- [56] Grove Software, "MicroShield User's Manual, Version 10.xx", 2014.
- [57] Los Alamos National Laboratory, "MCNP: User's Manual, Code Version 6.2", listopad 2017.
- [58] J.K. Shultis, R.E. Faw, "An MCNP Primer", prosinac 2011.
- [59] D.A. Walker, D.W. Lee, R.L. Miller, "Use and Application of the ARCON96 Dispersion Model at the Y-12 Complex"
- [60] Y.J. Lin, "Practical User Tips for ARCON96"
- [61] U.S. NRC, RG 1.13: "Spent Fuel Storage Facility Design Basis", listopad 2006.
- [62] J.V. Ramsdell, S.A. Simonen, "NUREG/CR-6331: Atmospheric Relative Concentration in Building Wakes", lipanj 1997.
- [63] U.S. NRC, "Regulatory guide 1.194: Atmospheric Relative Concentrations for Control Room Radiological Habitability Assessments at Nuclear Power Plants", lipanj 2003.
- [64] A. Bejan, "Heat Transfer: Evolution, Design and Performance", Willey, ožujak 2022.
- [65] Y. A. Cengel, "Heat Transfer, A Practical Approach", drugo izdanje, listopad 2022.

- [66] A. Ozturk, „Implementation of View Factor Model and Radiative Heat Transfer Model in MOOSE Model in MOOS“, 2019.
- [67] S. L. Rickman, „Form Factors, Grey Bodies and Radiation Conductances (Radks)“, Thermal and Fluids Analysis Workshop 2022, rujan 2022.

KAZALO POJMOVA

AAF	alternativni DEC sustav napojne vode (engl. Alternative Auxiliary Feedwater)
AB	pomoćna zgrada (engl. Auxiliary Building)
AFW	pomoćni sustav napojne vode (engl. Auxiliary Feedwater System)
ARCON9	nuklearni računalni program (puni naziv: Atmospheric Relative Concentration in Building Wakes)
ARHR	alternativni DEC sustav za odvođenje ostatne topline (engl. Alternative Residual Heat System)
ASI	alternativni DEC sustav za sigurnosno ubrizgavanje hladioca (engl. Alternative Safety Injection)
AST	(engl. Alternate Source Term)
BB1	bunkerska zgrada 1 (engl. Bunkered Building 1)
BDBA	vanprojektna nesreća (engl. Beyond Design Basis Accident)
CI	sustav sprejeva u kontejnmentu (engl. Containment Spray System)
DBA	projektna nesreća (engl. Design Basis Accident)
DEC	vanprojektni uvjeti (engl. Design Extension Conditions)
DECCB	kontrolna ploča za DEC uvjete (engl. Design Extension Conditions Control Board)
DECTS	tehničke specifikacije za DEC uvjete (engl. Design Extension Conditions Technical Specifications)
ECCS	sustava za hlađenja jezgre u hitnim slučajevima (engl. Emergency Core Cooling System)
ECR	pomoćna kontrolna soba (engl. Emergency Control Room)
EPRI	Electric Power Research Institute
EOP	procedure za hitne slučajeve (engl. Emergency Operating Procedure)
EQ	kvalifikacija električne opreme (engl. Equipment Qualification)

ES	dokazivanje opstojnosti opreme (engl. Equipment Survivability)
ESF	inženjerske sigurnosne značajke (engl. Engineered Safety Functions)
FEM	Finite Element Method
FER	Fakultet elektrotehnike i računarstva Sveučilišta u Zagrebu
FHB	zgrada za istrošeno gorivo (engl. Fuel Handling Building)
FLEX	različite i fleksibilne strategije ublažavanja posljedica teške nuklearne nesreće (engl. Diverse and Flexible Coping Strategies)
GOTHIC	nuklearni računalni program (puni naziv: Generation of Thermal-Hydraulic Information for Containments)
HVAC	sustav za grijanje, ventilaciju i hlađenje (engl. Heating, Venting and Air Conditioning)
IB	međuzgrada (engl. Intermediate Building)
IPE	pojedinačnog ispitivanja elektrana (engl. Individual Plant Examination)
ISLOCA	gubitak rashladnog sredstva s ispuštanjem izvan kontejnmenta (engl. Interfacing System Loss of Coolant Accident)
LANL	Los Alamos National Laboratory
LCO	granični uvjeti za rad nuklearne elektrane (engl. Limiting Conditions for Operation)
MAAP	nuklearni računalni program (puni naziv: Modular Accident Analysis Program)
MAVRIC	SCALE sekvenca za proračune štitova (puni naziv: Monaco with Automated Variance Reduction using Importance Calculations)
MCCI	reakcija rastaljene jezgre s betonom (engl. Molten Corium Concrete Interaction)
MCNP	nuklearni računalni program (puni naziv: Monte Carlo N-Particle)
MCR	glavna kontrolna soba (engl. Main Control Room)
MELCOR	nuklearni računalni program (puni naziv: Methods for Estimation of Leakages and Consequences of Releases)

MHX	mobilni toplinski izmjenjivač (engl. Mobile Heat Exchanger)
NEK	Nuklearna elektrana Krško
ORIGEN	nuklearni računalni program (puni naziv: Oak Ridge Isotope GENERation)
ORNL	Oak Ridge National Laboratory
PAR	pasivni autokatalitički rekombinatori (engl. Passive Autocatalytic Recombines)
PARCS	nuklearni računani program (puni naziv: Purdue Advanced Reactor Core Simulator)
PCFV	sustav za filtrirani pasivni ispust iz kontejnmenta (engl. Passive Containment Filtered Venting System)
PSA	probabilističke sigurnosne analize (engl. Probabilistic Safety Assessment)
PORV	rasteretni ventili (engl. Pressure Operated Relief Valve)
PRT	rasteretni rezervoar tlačnika (engl. Pressurizer Relief Tank)
PWR	nuklearni reaktor s vodom pod tlakom (engl. Pressurized Water Reactor)
RADTRAD	nuklearni računani program (puni naziv: Radionuclide Transport, Removal and Dose Estimation)
RB	reaktorska zgrada (engl. Reactor Building)
RCS	primarni rashladni krug (engl. Reactor Coolant System)
RELAP5-SCAP	nuklearni računalni program (puni naziv: Reactor Excursion and Leak Analysis Program)
RHR	sustav za odvođenje ostatne topline (engl. Residual Heat Removal System)
RPV	reaktorska posuda (engl. Reactor Pressure Vessel)
RSCB	upravljačka ploča za daljinsko zaustavljanje elektranom (engl. Remote Shutdown Control Board)

RWST	rezervoar za skladištenje „refueling“ vode (engl. Refueling Water Storage Tank)
SA	teška nuklearna nesreća (engl. Severe Accident)
SAME	oprema za upravljanje teškim nuklearnim nesrećama (engl. Severe Accident Management Equipment)
SAMG	smjernice za upravljanje teškim nuklearnim nesrećama (engl. Severe Accident Management Guidance)
SBO	gubitak električnog napajanja (engl. Station Blackout)
SCALE	skup nuklearnih računalnih programa (puni naziv: Standardized Computer Analyses for Licensing Evaluation)
SDP	ploča za daljinsko zaustavljanje (engl. Remote Shutdown Panels)
SFP	bazen za istrošeno gorivo (engl. Spent Fuel Pool)
SGTR	puknuće U-cijevi parogeneratora (engl. Steam Generator Tube Rupture)
SNL	Sandia National Laboratory
TS	tehničke specifikacije (engl. Technical Specifications)
SUP	program nadogradnje sigurnosti (engl. Safety Upgrade Program)
SV	sigurnosni ventil (engl. Safety Valve)
TH	termohidraulički (engl. thermohydraulic)
TSC	tehnički potporni centar (engl. Technical Support Center)
URSJV	Ured Republike Slovenije za nuklearnu sigurnost (slov. Ured Republike Slovenije za jedrsko varnost)
USAR	ažurirano izvješće analize sigurnosti (engl. Updated Safety Analysis Report)
U.S. NRC	američka nuklearna regulatorna agencija (engl. United States Nuclear Regulatory Commission)

POPIS SLIKA

SLIKE:

Slika 2-1: Koncept obrane po dubini – postojeće nuklearne elektrane	7
Slika 2-2 Koncept obrane po dubini – nove nuklearne elektrane	7
Slika 2-3 NEK Obrana po dubini – stanje prije provedbe programa nadogradnje sigurnosti..	12
Slika 2-4 NEK Obrana po dubini – stanje poslije provedbe programa nadogradnje sigurnosti	12
Slika 3-1 Dijagram metodologije proračuna okolišnih uvjeta	15
Slika 3-2 Putanje curenja iz reaktorske zgrade korištene za izračun doza.....	17
Slika 3-3 Shema za izračun doza u glavnoj i pomoćnoj kontrolnoj sobi	18
Slika 3-4 NEK tlocrt reaktorske zgrade na elevaciji 107,62 m.....	20
Slika 3-5 NEK nacrt pomoćne zgrade po različitim elevacijama	20
Slika 3-6 NEK SketchUp model reaktorske zgrade, pomoćne zgrade, međuzgrade i zgrade za istrošeno gorivo	21
Slika 4-1 NEK MAAP model reaktorske zgrade	35
Slika 4-2 NEK MELCOR model primarnog i sekundarnog rashladnog kruga.....	37
Slika 4-3 RADTRAD model za direktno curenje iz kontejnmenta.....	39
Slika 4-4 MicroShield model za računanje <i>immersion</i> doza u kontejnmentu.....	40
Slika 4-5 RADTRAD model za indirektno curenje iz kontejnmenta.....	41
Slika 4-6 MicroShield model za računanje <i>shine</i> doza u anulusu.....	42
Slika 4-7 ES NEK RB envelope temperature.....	43
Slika 4-8 ES NEK RB envelope tlaka.....	43
Slika 4-9 ES NEK RB beta i gama <i>immersion</i> doze - RADTRAD.....	44
Slika 4-10 ES NEK RB beta i gama brzine <i>immersion</i> doza – RADTRAD	45
Slika 4-11 ES NEK RB gama <i>immersion</i> doze – MicroShield	45
Slika 4-12 ES NEK RB gama brzine <i>immersion</i> doze – MicroShield	46
Slika 4-13 ES NEK RB usporedba gama <i>immersion</i> doza - RADTRAD i MicroShield.....	46
Slika 4-14 ES NEK ukupne beta i gama <i>immersion</i> doze u anulusu – RADTRAD	48
Slika 4-15 ES NEK ukupne brzine beta i gama <i>immersion</i> doza u anulusu– RADTRAD	48
Slika 4-16 ES NEK ukupne gama <i>shine</i> doze u anulusu na elevaciji 132 m – MicroShield ...	49
Slika 4-17 ES NEK brzine gama <i>shine</i> doza u anulusu na elevaciji 132 m - MicroShield.....	50
Slika 4-18 ES NEK ukupne gama <i>shine</i> doze u anulusu po elevacijama – MicroShield.....	50

Slika 4-19 NEK GOTHIC model pomoćne zgrade.....	52
Slika 4-20 MicroShield model kontejnmenta za računanje <i>shine</i> doza.....	54
Slika 4-21 NEK raspored ARHR cjevovoda u pomoćnoj zgradi.....	55
Slika 4-22 NEK lokacije ARHR cjevovoda u pomoćnoj zgradi.....	55
Slika 4-23 ES NEK AB temperature.....	57
Slika 4-24 ES NEK beta <i>immersion</i> doze u AB045, indirektno curenje – RADTRAD.....	57
Slika 4-25 ES NEK gama <i>immersion</i> doze u AB045, indirektno curenje – RADTRAD.....	58
Slika 4-26 ES NEK <i>shine</i> doze u pomoćnoj zgradi na elevaciji 116,55 m - MicroShield.....	58
Slika 4-27 ES NEK brzine <i>shine</i> doza u pomoćnoj zgradi na elevaciji 116,55 m - MicroShield	59
Slika 4-28 ES NEK ARHR doze na udaljenosti 100 cm od ARHR cjevovoda za različite duljine ARHR cijevi - MicroShield.....	60
Slika 4-29 ES NEK ARHR doze na različitim udaljenostima od ARHR cjevovoda u slučaju početaka recirkulacije jedan i osam sati nakon početka nesreće - MicroShield.....	60
Slika 4-30 NEK tlocrt međuzgrade na elevaciji 107,62 m.....	61
Slika 4-31 NEK GOTHIC model međuzgrade na elevaciji 107,62 m.....	62
Slika 4-32 MicroShield model glavnog parovoda za računanje <i>shine</i> doza pri SGTR.....	64
Slika 4-33 ES NEK temperatura u sobi IB029 u usporedbi s temperaturom u IB028 sobi.....	65
Slika 4-34 ES NEK IB029 tlak.....	65
Slika 4-35 ES NEK <i>shine</i> doze na različitim udaljenostima od glavnog parovoda za glavni parovod duljine 20 m - MicroShield.....	66
Slika 4-36 ES NEK <i>shine</i> doze na udaljenosti 2000 cm od glavnog parovoda za različite duljine glavnog parovoda - MicroShield.....	66
Slika 4-37 NEK GOTHIC model zgrade za istrošeno gorivo – kontrolni volumeni i spojnice	67
Slika 4-38 NEK GOTHIC model zgrade za istrošeno gorivo - podaci za kontrolne volumene	68
Slika 4-39 NEK MAVRIC model bazena za istrošeno gorivo sa starim i novim dijelom bazena.....	69
Slika 4-40 NEK MELCOR model bazena za istrošeno gorivo.....	70
Slika 4-41 NEK sustav sprejeva u zgradi za istrošeno gorivo.....	71
Slika 4-42 Lokacije izračuna gama doza za bazen za istrošeno gorivo.....	72
Slika 4-43 NEK MicroShield i SCALE model za stari dio bazena za istrošeno gorivo.....	72
Slika 4-44 NEK MicroShield i SCALE model za novi dio bazena za istrošeno gorivo.....	73
Slika 4-45 ES NEK FHB tlak.....	74

Slika 4-46 ES NEK FHB temperature.....	74
Slika 4-47 Vrijeme boravka gorivnih elementa u NEK bazenu za istrošeno gorivo	75
Slika 4-48 Snaga gorivnih elementa u NEK bazenu za istrošeno gorivo.....	75
Slika 4-49 SketchUp model NEK bunkerske zgrade 1	77
Slika 4-50 SketchUp model za proračun χ/Q	78
Slika 4-51 RADTRAD model za proračun doza u NEK pomoćnoj kontrolnoj sobi	80
Slika 4-52 Položaj NEK HVAC filtra i pripadajući MicroShield model	81
Slika 4-53 NEK BB1 krov i pripadajući MicroShield model za proračun doza	82
Slika 4-54 Histogram brzine vjetra na elevaciji 10 m – lokacija NEK	83
Slika 4-55 Histogram smjera vjetra na elevaciji 10 m – lokacija NEK	83
Slika 4-56 Ruža vjetra na elevaciji 10 m – lokacija NEK.....	84
Slika 4-57 NEK χ/Q vrijednosti pomoćne kontrolne sobe za različite intervale usrednjavanja	85
Slika 4-58 ES NEK RB protok pare kroz parogenerator i frakcije ispusta	87
Slika 4-59 Ekvivalentna brzina curenja za RADTRAD proračun	87
Slika 4-60 ES NEK DG beta i gama <i>immersion</i> doze.....	88
Slika 4-61 ES NEK ECR beta i gama <i>immersion</i> doze.....	88
Slika 4-62 Gama doze u NEK ECR od filtera koji se nalaze na vrhu zgrade	89
Slika 4-63 Doze na krovu NEK BB1 dobivene RADTRAD i Microshield programima	89
Slika 5-1 Vidni faktori.....	90
Slika 5-2 Neto prijenos radijacije.....	91
Slika 5-3 Ravnoteža zračenja na površini i	92
Slika 5-4 Model NEK zgrada susjednih reaktorskoj zgradi	94
Slika 5-5 NEK sobe susjedne reaktorskoj zgradi	94
Slika 5-6: Model RB (lijeva slika), te anulusa i čeličnog lineru (desna slika) - ANSYS.....	96
Slika 5-7: Proračunska mreža (lijeva slika) i raspodjela temperature u RB (desna slika) – ANSYS (početna T lineru 100 °C).....	96
Slika 5-8: Uvećeni prikaz promjena temperature u RB – ANSYS (početna T lineru 100 °C) .	97
Slika 5-9: Model čeličnog lineru (lijeva slika), RB (srednja slika) i betonskog poda (desna slika) – ANSYS (različite temperature lineru)	98
Slika 5-10: Raspodjela temperature u RB – ANSYS (početna T lineru 100 °C)	99
Slika 5-11: Raspodjela temperature u RB – ANSYS (početna T lineru 150 °C)	99
Slika 5-12: Raspodjela temperature u RB – ANSYS (početna T lineru 200 °C)	100

Slika 5-13: Raspodjela temperature u RB – ANSYS (zadane emisivnosti za čelični liner i betonski dio RB, početna T linera 100 °C)	101
Slika 5-14: Raspodjela temperature u RB – ANSYS (zadane emisivnosti za čelični liner i betonski dio RB, početna T linera 100 °C, konvektivni prijelaz topline na površini RB)	102
Slika 5-15: Jednostavan model cilindra za izračun vidnih faktora - ANSYS	103
Slika 5-16: Monte Carlo izbor random varijabli	104
Slika 5-17: Generirane zrake – ideja Monte Carlo ray tracing postupka	104
Slika 5-18: Generirane zrake – Monte Carlo ray tracing metoda za slučaj dvije ravne površine	104
Slika 5-19: Ulazni podaci za predprocesor u slučaju jednostavne RB konfiguracije	106
Slika 5-20: Mreža za jednostavnu RB konfiguraciju	106
Slika 5-21: Ulazni podaci za jednostavnu RB konfiguraciju sa zidom sobe IB029	108
Slika 5-22: Mreža za jednostavan model RB zgrade i IB029 zida.....	109
Slika 5-23: Mreža za realistični model RB zgrade i IB029 prostorije	111
Slika 5-24 Modeliranje radijativne veze u GOTHIC programu za NEK.....	112
Slika 5-25 Usporedba temperature u NEK IB029 s i bez radijativne poveznice	113
Slika 6-1 Raspored gorivnih elemenata u NEK jezgri za 29. gorivni ciklus	115
Slika 6-2 PARCS 3D raspodjela odgora na početku 29. NEK gorivnog ciklusa (150 MWd/tU)	115
Slika 6-3 PARCS 3D raspodjela odgora na kraju 29. NEK gorivnog ciklusa (19500 MWd/tU)	116
Slika 6-4 NEK MAAP AST radioaktivni sadržaj jezgre u trenutku gašenja reaktora, aktivnosti (Ci) na kraju 27., 28. i 29. gorivnog ciklusa.....	119
Slika 6-5 NEK ORIGEN2 i MAAP izotopski sadržaj jezgre, masa i aktivnost Kr izotopa... 120	
Slika 6-6 NEK RADTRAD radioaktivni sadržaj jezgre (Ci/MWt) na kraju 28. gorivnog ciklusa.....	120
Slika 6-7 NEK MAAP AST, aktivnost izotopa joda 30 dana nakon 29. gorivnog ciklusa....	121
Slika 6-8 NEK MAAP AST, aktivnost različitih izotopa nakon 29. gorivnog ciklusa.....	122

POPIS TABLICA

TABLICE:

Tablica 4-1 Brzine doza (rem/h) u starom dijelu NEK bazena za istrošeno gorivo.....	76
Tablica 4-2 Brzine doza (rem/h) u novom dijelu NEK bazena za istrošeno gorivo	76
Tablica 4-3 NEK ECR/TSC 95% γ/Q vrijednosti	85
Tablica 5-1: Neto izmjena snage za početnu temperaturu linera 100 °C.....	97
Tablica 5-2: Usporedba neto izmijenjene snage za početnu temperaturu linera 100 °C, 150 °C i 200 °C.....	98
Tablica 5-3: Neto izmjena snage za zadane emisivnosti za čelični liner i betonski dio RB i početnu temperaturu linera 100 °C.....	101
Tablica 5-4: Rezultati Monte Carlo proračuna za jednostavnu RB konfiguraciju	107
Tablica 5-5: Rezultati primjene analitičkih formula i direktne integracije za jednostavnu RB konfiguraciju	107
Tablica 5-6: Rezultati Monte Carlo proračuna za jednostavan model RB zgrade i IB029 zida	109
Tablica 6-1 Grupe fizijskih produkata u MAAP programu za opisivanje teške nuklearne nesreće	117

ŽIVOTOPIS

Štefica Vlahović je rođena 17.05.1991. u Zagrebu. U Zagrebu je završila osnovnu školu i prirodoslovno-matematičku gimnaziju. Upisala je Fakultet elektrotehnike i računarstva 2010. godine. Stekla je titulu sveučilišnog prvostupnika inženjera elektrotehnike i informacijske tehnologije 2013., a 2015. godine i titulu magistra inženjera elektrotehnike i informacijske tehnologije *cum laude*.

Od 2015. zaposlena je na Zavodu za visoki napon i energetiku Fakulteta elektrotehnike i računarstva, najprije kao zavodski suradnik, a zatim kao asistent. U nastavi je držala vježbe na predmetima Elektroenergetika, Laboratorij elektroenergetike 1 i 2, Okoliš i održivi razvoj, te Prijenos mase i topline. Njeno istraživačko područje je uglavnom povezano uz determinističke sigurnosne analize za nuklearnu elektranu Krško. To obuhvaća razvoj nodalizacije koristeći nuklearne računalne programe RELAP5, MELCOR i GOTHIC. Bila je dio stručnog tima za nadzor aktivnosti na remontu nuklearne elektrane Krško. Autor je ili koautor desetak članaka na skupovima s međunarodnom recenzijom i tridesetak tehničkih izvještaja za Nuklearnu elektranu Krško. Sudjelovala je na više radionica u organizaciji Međunarodne agencije za atomsku energiju.

Od listopada 2021. radi u Framatome u Njemačkoj kao projektant za I&C sustave prvenstveno na sustavu koji kontrolira snagu reaktora za nuklearne elektrane HPC u Ujedinjenom Kraljevstvu, OL3 u Finskoj, FA3 u Francuskoj i Angra 3 u Brazilu. Također je dio tima za modernizaciju sustava kontrole reaktora u Gösgen u Švicarskoj i modernizaciju sustava primarnog kruga u Ringhalsu u Švedskoj. Bila je i član tima za seizmičke projekte za nove nuklearne elektrane Paks-II i Hanhikivi. Autor je ili koautor oko 100 tehničkih izvješća.

Bila je članica Predsjedništva Hrvatskog nuklearnog društva Mreže mlade generacije u dva mandata i Predsjedništva Europskog nuklearnog društva Mreže mlade generacije u jednom mandatu.

Popis objavljenih radova

Izvorni znanstveni i pregledani radovi u CC časopisima:

1. Šadek, Siniša; Grgić, Davor; Benčik, Vesna; Vlahović, Štefica. Analysis of the upflow conversion modification and influence on selected LOCA accidents in a PWR plant. // Nuclear Engineering and Design, 369 (2020), 110854, 14
doi:10.1016/j.nucengdes.2020.110854 (međunarodna recenzija, članak, znanstveni)

2. Vlahović, Štefica; Šadek, Siniša; Grgić, Davor; Fancev, Tomislav; Benčik, Vesna. Comparison of Measured and Calculated Data for NPP Krško CILR Test. // *Energies*, 12 (2019), 11; 2176, 13 doi:10.3390/en12112176 (međunarodna recenzija, članak, znanstveni)
3. Grgić, Davor; Vlahović, Štefica; Matijević, Mario; Dučkić, Paulina. Dose Calculation for Emergency Control Room HVAC Filter. // *Energija : časopis Hrvatske elektroprivrede*, 68 (2019), 2-3; 98-111 doi:10.37798/EN2019682-3 (međunarodna recenzija, članak, znanstveni)

Znanstveni radovi u zbornicima skupova s međunarodnom recenzijom:

1. Vlahović, Štefica; Grgić, Davor; Đaković, Josip; Šadek, Siniša; Bašić, Ivica. Effectiveness of SFP Spray Cooling during Loss of Coolant Accidents. // 12th International Conference of the Croatian Nuclear Society Conference Proceedings / Vrbanić, Ivan; Šadek, Siniša; Bašić, Ivica (ur.). Zagreb: Croatian Nuclear Society, 2018. str. S7-175-1-S7-175-11 (predavanje, međunarodna recenzija, cjeloviti rad (in extenso), znanstveni)
2. Grgić, Davor; Vlahović, Štefica; Matijević, Mario; Dučkić, Paulina; Špalj, Srđan. Dose Calculation for Emergency Control Room HVAC Filter. // 12th International Conference of the Croatian Nuclear Society Conference Proceedings / Vrbanić, Ivan; Šadek, Siniša; Bašić, Ivica (ur.). Zagreb: Croatian Nuclear Society, 2018. str. S7173-1 (predavanje, međunarodna recenzija, cjeloviti rad (in extenso), znanstveni)
3. Grgić, Davor; Vlahović, Štefica; Ječmenica, Radomir; Bašić, Ivica. Calculation of Radioactive Inventory for Severe Accident and Consequence Codes. // 12th International Conference of the Croatian Nuclear Society Conference Proceedings / Vrbanić, Ivan; Šadek, Siniša; Bašić, Ivica (ur.). Zagreb: Croatian Nuclear Society, 2018. str. S7167-1 (poster, međunarodna recenzija, cjeloviti rad (in extenso), znanstveni)
4. Benčik, Vesna; Grgić, Davor; Šadek, Siniša; Vlahović, Štefica. NPP Krško 3 inch Cold Leg Break LOCA Calculation using RELAP5/MOD 3.3 and MELCOR 1.8.6 Codes. // 12th International Conference of the Croatian Nuclear Society Conference Proceedings / Vrbanić, Ivan; Šadek, Siniša; Bašić, Ivica (ur.). Zagreb: Croatian Nuclear Society, 2018. str. S5-142-1-S5-142-14 (poster, međunarodna recenzija, cjeloviti rad (in extenso), znanstveni)
5. Vlahović, Štefica; Grgić, Davor; Benčik, Vesna. NPP Krško Post-UFC Transient Response during MSLB. // 11th International Conference of the Croatian Nuclear Society / Šimić, Zdenko^o; Tomšić, Željko; Grgić, Davor (ur.). Zagreb, 2016. str. S5062-1 (predavanje, međunarodna recenzija, cjeloviti rad (in extenso), znanstveni)

Sažeci u zbornicima skupova s međunarodnom recenzijom:

1. Grgić, Davor; Vlahović, Štefica; Fancev, Tomislav; Šadek, Siniša; Benčik, Vesna. NPP Krško IB Modelling with GOTHIC and MELCOR Codes. // *Book of Abstracts of the 27th International Conference Nuclear Energy for New Europe NENE2018 Portorož, Slovenija*, 2018. str. 80-80 (poster, međunarodna recenzija, sažetak, znanstveni)

2. Vlahović, Štefica; Grgić, Davor; Šadek, Siniša; Fancev, Tomislav; Benčik, Vesna. Comparison of Measured and Calculated Data for NPP Krško CILR Test. // MEDPOWER2018 Conference book / Kuzle, Igor; Holjevac, Ninoslav; Capuder, Tomislav; Pandžić, Hrvoje (ur.). Zagreb, 2018. str. SES-18-Contribution_1361_final-1-SES-18-Contribution_1361_final-5 (predavanje, sažetak, znanstveni)
3. Grgić, Davor; Ječmenica, Radomir; Vlahović, Štefica; Šadek, Siniša; Bašić, Ivica. Comparison Between ORIGEN2.2 and ORIGEN-S Calculated Source Term. // Book of Abstracts of the 27th International Conference Nuclear Energy for New Europe NENE2018 Portorož, Slovenija, 2018. str. 66-66 (poster, međunarodna recenzija, sažetak, znanstveni)
4. Grgić, Davor; Ječmenica, Radomir; Vlahović, Štefica; Bašić, Ivica. Radioactive Inventory Data for Severe Accident and Consequence Calculation Codes. // Book of Abstracts of the 26th International Conference Nuclear Energy for New Europe NENE2017 Bled, Slovenija, 2017. str. 120-120 (poster, međunarodna recenzija, sažetak, znanstveni)

BIOGRAPHY

Štefica Vlahović was born on May 17, 1991 in Zagreb, where she finished elementary school and Gymnasium of Natural Sciences and Mathematics. In year 2010, she enrolled in Faculty of Electrical Engineering and Computing. In year 2013 she has earned academic title of Bachelor of Science in Electrical Engineering and Information Technology and in 2015, she has earned academic title of Master of Science in Electrical Engineering and Information Technology cum laude.

She started working at the Department of Energy and Power Systems in 2015 first as a research associate researcher and then as research assistant. She was responsible for several engineering subjects: Energy Technology, Laboratories of Electrical Power Engineering 1 and 2, Sustainable Development and Environment and Mass and Heat Transfer. Her research area was mostly related to deterministic safety analyses for nuclear power plant Krško. This includes the development of nodalization using RELAP5, MELCOR and GOTHIC code. She was part of the expert team for oversight of Nuclear power plant Krško refueling outage activities. She is author or co-author of approximately 10 articles on the international conferences and approximately 30 technical reports written for Nuclear Power Plant Krško. She has participated in several workshops organized by the International Atomic Energy Agency.

She has been working in Framatome in Germany as Project Engineer for stand-alone I&C Systems since October 2021, primarily on the reactor control system for nuclear power plants HPC in the UK, OL3 in Finland, FA3 in France and Angra 3 in Brazil. She is also part of the team for the modernization of the reactor control system in Gösgen, Switzerland and the modernization of the primary circuit system in Ringhals, Sweden. She was a member of the seismic project team for the new Paks-II and Hanhikivi nuclear power plants. She is the author or co-author of approximately 100 technical reports.

She was a Board Member of Croatian Nuclear Society Young Generation Network 2019 – 2022 and a Board Member of European Nuclear Society Young Generation Network 2021 - 2023.